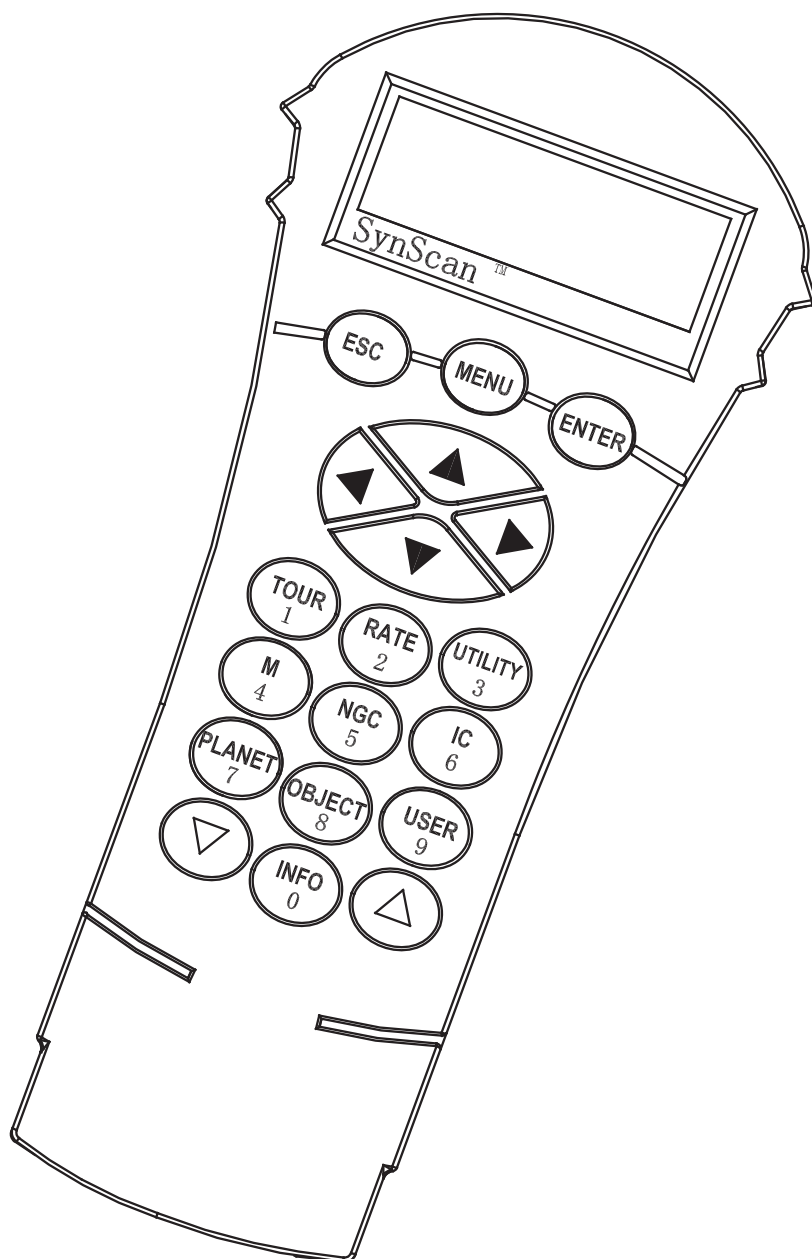


INSTRUCTION MANUAL

SynScan™



SSHCV4-F-161208V1-EN

CONTENT

Basic Operations

PART I : INTRODUCTION

1.1 Outline and Interface	4
1.2 Connecting to a Telescope Mount	4
1.3 Slew the Mount with the Direction Keys	4
1.4 SynScan Hand control's Operating Modes	5

PART II : INITIALIZATION

2.1 Setup the Home Position of the Telescope Mount	8
2.2 Initialize the Hand Control	8

PART III : ALIGNMENT

3.1 Choosing an Alignment Method	12
3.2 Aligning to Alignment Stars	12
3.3 Alignment Method for Equatorial Mounts	12
3.4 Alt-Azimuth Mounts using Brightest Star Alignment Method	13
3.5 Alt-Azimuth Mounts using 2-Star Alignment Method	16
3.6 Alt-Azimuth Mounts using Daytime Alignment Method	17
3.7 Tips for Improving Alignment Accuracy	18
3.8 Comparison of Alignment Methods	18

PART IV : SYNSCAN MENU TREE

4.1 Menu Structure	20
4.2 Accessing Menus	21
4.3 Short-cut Keys	21

PART V : LOCATING OBJECTS

5.1 Locating Messier Objects	22
5.2 Locating NGC and IC Objects	23
5.3 Locating Planets and the Moon	23
5.4 Locating Caldwell Objects	23
5.5 Locating SAO Stars	24
5.6 Locating Named Stars, Double Stars, and Variable Stars	24
5.7 Deep Sky Tour	25
5.8 User-Defined Objects	25

Intermediate Operations

PART VI : CONFIGURE THE TELESCOPE MOUNT

6.1 Choosing Tracking Speed	27
6.2 Backlash Compensation	27
6.3 Setting the Slewing Limits	27
6.4 Enable/Disable Auxiliary Encoder	28
6.5 Setting Autoguider Speed	28
6.6 Setting Flipping Mode	28

PART VII : CONFIGURE THE HAND CONTRL

7.1 Display, Keypad	29
7.2 Alignment Star Filter	29
7.3 Sorting Method of the Alignment Star List	29
7.4 Naming of Stars	29

7.5 Language Configuration	30
----------------------------------	----

PART VIII : AUXILIARY FUNCTIONS

8.1 Editing Date, Time, Coordinates, Time Zones, and Daylight Saving Time	31
8.2 Re-aligning the Mount	31
8.3 Show Position	31
8.4 Show Time and Local Sidereal Time	31
8.5 Display Version Information	31
8.6 Display Power Voltage	32
8.7 Display Polaris Position	32
8.8 Display Polar Alignment Error	32
8.9 Changing Polar Scope Illumination Level	32
8.10 Identifying Objects	32
8.11 Synchronizing Encoders	33

Advanced Operations

PART IX : CONNECTING TO A COMPUTER

9.1 Working with Astronomical Applications	34
9.2 PC Direct Mode	34

PART X : UPDATING FIRMWARE

10.1 Hardware Requirements	35
10.2 Preparation	35
10.3 Updating Firmware	35
10.4 Troubleshooting	36

PART XI : ADVANCED FUNCTIONS

11.1 Parking Telescope	37
11.2 Pointing Accuracy Enhancement	37
11.3 Polar Alignment without Polar Scope	38
11.4 Camera Control	40
11.5 Periodic Error Correction (PEC) for EQ Mount	42
11.6 Calibrating Auto-Home Offset	43
11.7 Setting Cone Error and Non-Perpendicular Error	43
11.8 Astronomical Time-Lapse Photography	44
11.9 Solar Track Mode	44

PART XII : USING A SYNSCAN GPS MODULE

12.1 Initialization of the Hand control with a SynScan GPS Module	45
12.2 Checking GPS Information	45

Appendix

APPENDIX I : ELIMINATING CONE ERROR	46
APPENDIX II : SYNSCAN SELF-DIAGNOSIS	47
APPENDIX III : SCHEMATIC OF THE PORTS	48
APPENDIX IV : SPECIFICATIONS	48

PART I : INTRODUCTION

1.1 Outline and Interface

A SynScan hand control and its interfaces are shown in Fig. 1.1

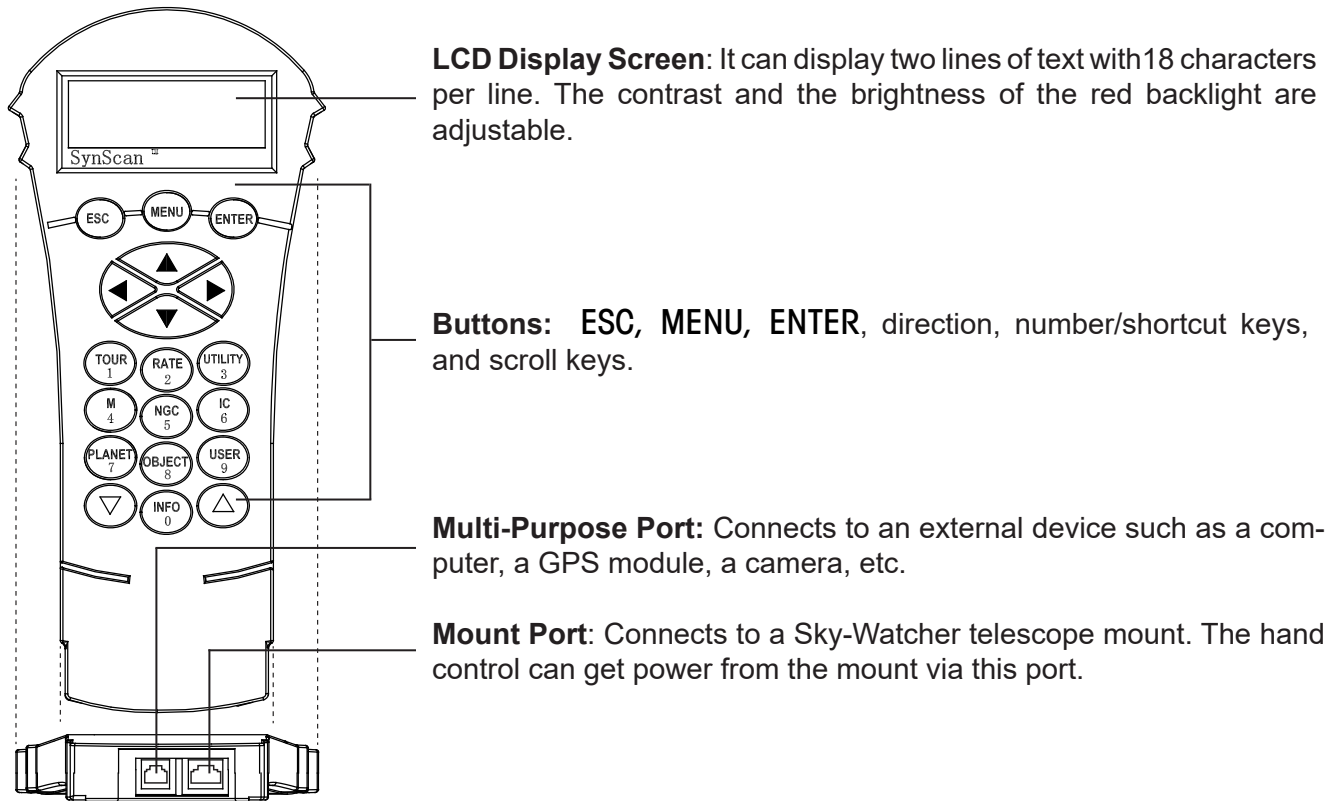


Fig. 1.1

1.2 Connecting to a Telescope Mount

Connect the 8-pin (RJ-45) "Mount" port of the hand control to the "Hand Control" port on a Sky-Watcher mount using an appropriate cable. The table below lists the "Hand Control" ports on different Sky-Watcher mounts.

Mount Model	Hand control Port	"Hand Control" Port on Mount
EQ6 Pro	8-pin RJ-45	D-sub 9 Male
HEQ5 Pro, EQ5 Pro, EQ3 Pro, AZ-EQ5 Pro, AZ-EQ6 Pro, EQ8		8-pin RJ-45
All Alt-azimuth mounts		6-pin RJ-12

1.3 Slew the Mount with the Direction Keys

In many situations, users need to slew the mount at different speeds with the direction keys. Here are the guides for this operation:

- The left and right keys are used to control the movement of the Right Ascension (R.A.) axis (for an equatorial mount) or the azimuth axis (for an Alt-azimuth mount).
- The up and down keys are used to control the movement of the Declination (Dec.) axis (for an equatorial mount) or altitude axis (for an Alt-azimuth mount).
- In most cases, pressing the “RATE/2” key will invoke the operation of choosing a slewing speed:
 - » The LCD screen will display “Set Speed”, followed by the current speed as “Rate = *x”.
 - » Press a number between “0” and “9” to select a new speed.
 - » Press the ENTER key to return to the previous display.
 - » If the user does not press the ENTER button, he/she can continue to change the speed while using the direction keys to slew the mount.
 - » If there is no keypad operation in 5 seconds, the most recent speed will be kept and the LCD display will return to the previous one.
- The following table lists the available speeds:

Rate	0	1	2	3	4	5	6	7	8	9
Speed *1	0.5X ^{*2}	1X ^{*3}	8X	16X	32X	64X	128X	400X	600X	Max ^{*4}

- Rate 7/8/9 is primarily used to quickly slew a mount.
- Rate 5/6 is primarily used to move a target in the field of view of a finder scope.
- Rate 2/3/4 is primarily used to move a target in the field of view of an eyepiece.
- Rate 0/1 is used to move a target in the field of view in high magnification observations, or manual-guiding.

Note:

- *1: Speed is represented as multiples of the Earth’s rotation speed.
- *2, *3: For Equatorial mounts, the speed is the drift speed of an object in FOV while the mount’s tracking is turned on; it is not the axis’s rotation speed.
- *4: Maximum speed varies on mounts. For most Sky-Watcher mounts, it is higher than 800X (3.4 degrees/sec).

1.4 SynScan Hand control’s Operating Mode

The SynScan hand control has 2 operating modes: **Full Feature Mode** and **Easy Tracking Mode**.

1. Full Feature Mode:

The flow chart of the “Full Feature” operation is shown in Fig. 1.4a.

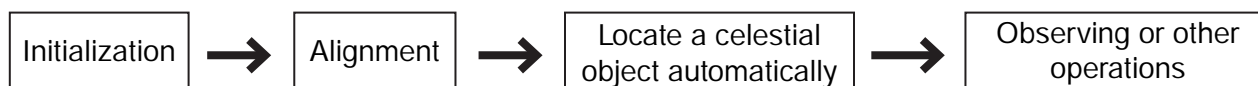


Fig. 1.4a

In Full Feature mode, the hand control must be connected to a Sky-Watcher telescope mount. After turning on the power to the mount, the hand control must complete an “Initialization” routine, followed by an “Alignment” routine which establishes a model to transform the coordinates of the mount and the coordinates of the sky. Only after the “Alignment” is done can the SynScan hand control’s high precise “GOTO” function be used to locate a celestial object.

The Full Feature mode is the most commonly used mode of operation.

2. Easy Tracking Mode:

The flow chart of the “Easy Tracking” operation is shown below:

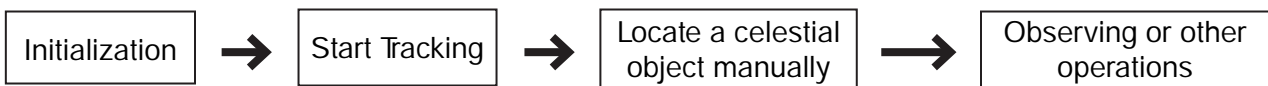


Fig. 1.4b

In Easy Tracking mode, the hand control also needs to be connected to a Sky-Watcher telescope mount. The mount must be setup at a proper “Home Position” (refer to Section 2.1 for details) before turning on the power. After turning on the power to the mount, the hand control must complete an “Initialization” routine. Then the user can choose to skip the “Alignment” routine and start the tracking function directly (refer to Section 6.1 “Choosing Tracking Speed”). Users will need to locate a celestial object in the sky, and then use the hand control to manually point the telescope to the target. The object locating function may still be used but it will only give a rough result.

The Easy Tracking mode is suitable for quick setup for visual observing of brighter celestial objects, such as planets, the moon, or the sun. If the user does not turn on the tracking function, the Easy Tracking mode can also be used for observing terrestrial objects.

3. Solar Track Mode:

The flow chart of the “Solar Track Mode” operation is shown below:



Fig. 1.4c

In Solar Track mode, the hand control also needs to be connected to a Sky-Watcher telescope mount. The mount must be setup with polar aligned for an Equatorial mount, or leveled the base of an Altazimuth mount. After turning on the power to the mount, the hand control must complete an “Initialization” routine. Then the user can choose to skip the “Alignment” routine and start the solar tracking function directly. Users will need to use the hand control to manually point the telescope to the Sun.

The Solar Track mode is suitable for quick setup for visual observing the Sun. Please refer to Section 11.9 Solar Track Mode for details.



NEVER USE YOUR TELESCOPE TO LOOK DIRECTLY AT THE SUN. PERMANENT EYE DAMAGE WILL RESULT. USE A PROPER SOLAR FILTER FIRMLY MOUNTED ON THE FRONT OF THE TELESCOPE FOR VIEWING THE SUN. WHEN OBSERVING THE SUN, PLACE A DUST CAP OVER YOUR FINDERSCOPE OR REMOVE IT TO PROTECT YOU FROM ACCIDENTAL EXPOSURE. NEVER USE AN EYEPiece-TYPE SOLAR FILTER AND NEVER USE YOUR TELESCOPE TO PROJECT SUNLIGHT ONTO ANOTHER SURFACE, THE INTERNAL HEAT BUILD-UP WILL DAMAGE THE TELESCOPE OPTICAL ELEMENTS.

PART II : INITIALIZATION

2.1 Setup the Home Position of the Telescope Mount

Before powering on the telescope mount, it should be set up to a particular home position. The home position differs between an equatorial mount and an Alt-azimuth mount.

1. Home Position of an Equatorial Mount:

- Tripod head is leveled.
- R.A. axis points towards the Northern Celestial Pole (in Northern Hemisphere) or the Southern Celestial Pole (in Southern Hemisphere).
- Counterweight rod is at its lowest position.
- The telescope points towards the Northern Celestial Pole (in Northern Hemisphere) or the Southern Celestial Pole (in Southern Hemisphere).

2. Home Position of an Alt-azimuth Mount:

The mount should be set up as close as possible to the following home position:

- Mount base is leveled.
- The telescope tube is leveled and points towards the true north (not magnetic north).

2.2 Initialize the Hand Control

Once the mount has been setup to the home position, the user can turn on the power to the mount and start the initialization process on the SynScan hand control. The following is the steps:

1. **Select the Operation Mode of the Mount**

A SynScan hand control with firmware version 3.32 or later supports both an equatorial mount and an alt-azimuth mount. It can detect the model of the mount it is connected to and select the appropriate operation mode.

For an equatorial/Alt-azimuth dual-mode mount, such as the AZ-EQ6 GT mount, the SynScan hand control will require the user to choose the mount's operating mode.

- The LCD screen will display "**Operating Mode**" in the first line.
- Use the scrolling keys located at the bottom left and right of the keypad to choose between Equatorial mode (**EQ Mode**) and Alt-azimuth mode (**AZ Mode**).
- Press **ENTER** to confirm the selection.

2. **Firmware Version Display**

The hand control will display the firmware version.

- Press **ENTER** to proceed to the next step. Press **ESC** to return to the previous step.
- Users can slew the mount with direction keys in this step.

3. **Warning Message Confirmation**

The hand control will display a warning message about the dangers of viewing the sun with a telescope.

- Press **ENTER** to confirm you have read the warning messages and proceed to the next step. Press **ESC** to return to the previous (firmware version display) step.
- Users can slew the mount with direction keys in this step.

4. Auto-homing

This step only applies to a mount with Auto-homing feature (such as the Sky-Watcher EQ8 Equatorial mount).

- The LCD screen will display “**Auto-Home?**” in the first line, and display “**1) YES 2) NO**” in the second line.
- Press “**2**” to skip this step and proceed to the next step.
- Press “**1**” to start the auto-homing routine on the mount. Once complete, the screen will display “**Home Position Established**”. Press **ENTER** to proceed to the next step.
- During auto-homing routine, pressing the **ESC** key will stop the mount’s movement. The screen will display “**Home Position NOT Established.**” Press **ENTER** to proceed to the next step.
- After the home position is established, the LCD screen will display “**Add DEC offset?**” in the first line, and display “**1)YES 2)NO**” in the second line.
- Press “**2**” to skip this step and proceed to the next step.
- Press “**1**” and then use the numeric keys and the **LEFT/RIGHT** directional keys to enter the offset (in degrees) of the declination axis and then press **ENTER** key to confirm. The declination axis will start slewing to the designated offset position. This function is designed for side-by-side dual telescopes setup.

5. Set Information Regarding the Observing Site

Geographic Coordinates

The LCD screen will display “**Set Longitude**” or “**Set Latitude**” on the first line, and display the longitude and latitude on the second line.

- Press the numeric keys at the cursor position to fill in the longitude or latitude digits.
- Use the scroll keys to change east/west longitude or north/south latitude when the cursor blinks on the corresponding characters (**E/W** for longitude, **N/S** for latitude).
- Use the **Left** and **Right** direction keys to move the cursor.
- Press the **ENTER** key to confirm the input and proceed to the next step.
- Press the **ESC** key to return to the previous step.

Time Zone

The LCD screen will display “**Set Time Zone**” in the first line, and display the current time zone in the second line.

- Use the scroll keys to change the leading “**+**” or “**-**” sign when the cursor is on it. The “**+**” sign is used for time zones in the Eastern Hemisphere (Europe, Africa, Asia, Oceania), while the “**-**” sign is used for time zones in the Western Hemisphere (North and South America).
- Press the numeric keys at the cursor position to fill the time zone digits.
- Press the **ENTER** key to confirm the input and proceed to the next step.
- Press the **ESC** key to return to the previous step.

Elevation (for atmospheric refraction compensation)

The LCD screen will display “**Set Elevation:**” in the first line, and display the elevation in meters in the second line.

- Use the scroll keys to change the leading “+” or “-” sign when the cursor is on it.
- Press the numeric keys at the cursor position to fill in the elevation (in metres).
- Press the ENTER key to confirm the input and proceed to the next step.
- Press the ESC key to return to the previous step.

Date, Time, Daylight Saving Time

- When “**Date: mm/dd/yyyy**” is displayed, enter the current date in the indicated mm/dd/yyyy format (i.e. 10/24/2012 for Oct.24,2012); press the ENTER key to confirm and proceed to the next step. Press the ESC key to return to the “**Geographic Coordinates**” step.
- When “**Enter Time**” is displayed, enter the current local time in 24-hour format. (i.e. 18:30:00 for 6:30pm). Press the ENTER key to display the entered time in 12-hour format. Press the ENTER key again to confirm and proceed to the next step. Press the ESC key to return to the previous step.
- When “**Daylight Saving?**” is displayed, use the scroll keys to select “**Yes**” or “**No**”. “**YES**” indicates the time entered in the previous step is daylight saving time, while “**NO**” indicates the time entered is in standard time. Press the ENTER key to confirm and proceed to the next step. Press the ESC key to return to the previous step.

6. Display Polaris Position

This step applies to an equatorial mount only.

- The LCD screen will display “**Polaris Position in P.Scope = HH:MM**”. It tells the orientation of Polaris in the polar-scope’s FOV. User can imagine the large circle in the FOV of a polar-scope as a clock’s face with 12:00 at the top, and put Polaris at the “HH:MM” position of the large circle when using a polar-scope to do the polar alignment. Press the ENTER key to confirm and proceed to the next step. Press the ESC key to return to the previous step.
- The LCD screen will display “**Hour Angle of Polaris = HH:MM**”. Press ENTER key to confirm and proceed to the next step. Press ESC key to return to the previous step.

7. Starting the Mount Alignment

This is the last step in the hand control’s initialization process. The screen will display “**Begin Alignment? 1) YES 2) NO**” to ask the user to make a choice:

Press “1” to start the alignment process

The SynScan hand control will operate in Full Feature mode (refer to Section 1.4) after the alignment.

Press “2” to skip the alignment process.

The SynScan hand control will enter standby mode.

- Users may start the tracking functions (refer to Section 6.1), or use the GOTO function (refer to **PART V**) to roughly locate celestial objects. Both operations will let the SynScan hand control work in the Easy Tracking mode (refer to Section 1.4 Step 2).
- Users can also start an alignment process (refer to Section 8.2) to let the SynScan hand control operate in Full Feature mode.
- Users may slew the mount with the direction keys to point the telescope to terrestrial targets for observing. The “**User-Defined Objects**” function (refer to Section 5.8) of the SynScan hand control is a useful tool for terrestrial observing.

PART III : ALIGNMENT

3.1 Choosing an Alignment Method

At the beginning of the alignment process, users are asked to choose an alignment method. The available alignment methods differ between the mount types, as listed below:

- For an equatorial mount: **1-Star Alignment (1-Star Align.)**, **2-Star Alignment (2-Star Align.)** or **3-Star Alignment (3-Star Align.)**
- For an alt-azimuth mount: **Brightest Star Alignment (Brightest Star)**, **2-Star Alignment (2-Star Align.)** or **Daytime Alignment**.

Note: For a detailed description and comparison of each alignment method, please refer to Section 3.8.

Operation:

- The LCD screen displays “**Alignment:**” in the first line.
- Use the two scrolling keys to select an alignment method in the second line of the LCD screen.
- Press **ENTER** to confirm selection and proceed to the next step (Section 3.2).
- Press **ESC** to skip the alignment process and enter standby mode.

3.2 Aligning to Alignment Stars

In this step, the user will be asked to choose one or multiple alignment stars from a list provided by the SynScan hand control, and then control the mount to center the star(s) in the FOV of the telescope’s eyepiece. The SynScan hand control will then use the data collected in this process to transform between the mount coordinates and the sky coordinates.

The operating steps of aligning to alignment stars may differ depending on the type of mount used, as well as the chosen alignment method. Users should read the following section which meets your mount and alignment method:

- Section 3.3: Alignment Method for Equatorial mounts.
- Section 3.4: Alt-azimuth mounts using the Brightest Star Alignment method.
- Section 3.5: Alt-azimuth mounts using the 2-Star Alignment method.

3.3 Alignment Method for Equatorial Mounts

Aligning the 1st Star:

1. The LCD screen displays “**Choose 1st Star**” in the first line. Use the scrolling keys to browse through a list of star names and Press **ENTER** key to pick the one on the screen as the 1st alignment star. The mount will then automatically slew and point the telescope towards the 1st alignment star in the sky.
2. After the mount stops, the hand control will display “**Use arrow buttons Ctr. to eyepiece..**”. Now the telescope should point rather closely to the 1st alignment star (generally, in the FOV of the finder scope), and the mount’s tracking function is also turned on by the hand control to prevent the objects drift in the FOV of the telescope.

3. Users can now use the direction keys to move the telescope to align with the 1st alignment star. Center the 1st alignment star in the FOV of the finder scope, and then center it in the FOV of the telescope's eyepiece; press **ENTER** key to confirm centering of the star and proceed to the next step. Generally, users can use Rate 5 or 6 to center the star in the finder scope and use Rate 2 or 3 to center the star in the telescope's eyepiece.
4. If the user has chosen 1-Star Alignment method before, the SynScan hand control will now display "**Alignment Successful**". Press **ENTER** key to complete the alignment process and skip extra messages.
5. If the user has chosen 2-Star Alignment or 3-Star Alignment before, the SynScan hand control will then proceed to the next step.

Aligning the 2nd Star:

1. Again, the SynScan hand control asks the user to choose and align a 2nd alignment star. The operation is the same as that of aligning the 1st alignment star.
2. If the user has chosen 2-Star Alignment before, the SynScan hand control will display "**Alignment Successful**" after confirmation of centering the 2nd alignment star.
3. Two seconds later, the LCD screen will display the polar-alignment offset of the mount. The "**Mel**" value is the offset in elevation, and the "**Maz**" value is the offset in azimuth. Press **ENTER** key to skip extra messages.
4. If the user has chosen 3-Star Alignment before, the SynScan hand control will then proceed to the next step.

Selecting and Aligning the 3rd Star:

The operation is the same as that of *Aligning the 2nd Star*.

Cancelling the Alignment Process:

1. While the mount is slewing during the alignment, users may press the ESC key to stop the mount. The hand control screen will display "**MOUNT STOPPED!! Press any key...**"
2. Press any key and the SynScan hand control will ask the user to select another alignment star.
3. Press the **ESC** key again, the LCD screen will display "**Exit Alignment? 1) YES 2) NO**". Press key **1** to exit the alignment process; press key **2** to go back to choose an alignment star.

3.4 Alt-Azimuth Mounts using *Brightest Star Alignment Method*

Aligning the 1st Star:

1. Find the brightest stars in the current sky with naked eyes, and estimate their horizontal region (orientation).
2. The hand control displays "**Select Region**". Use the scroll keys to pick one of the eight regions shown in Fig 3.4a, which matches the horizontal region of the brightest stars. Press **ENTER** to confirm the selection and proceed to the next step.

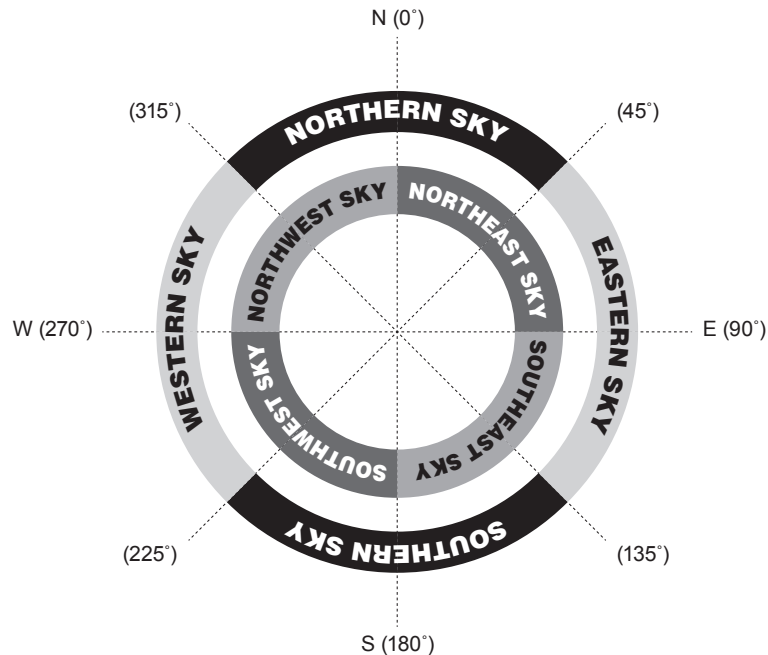


Fig. 3.4a

- The hand control will generate a list of the bright stars within the selected horizontal region. The list is sorted by the brightness of the star, with the brightest stars at the top of the list. Users can use the scroll keys to browse the list. An example of the screen display is shown in Fig. 3.4b.

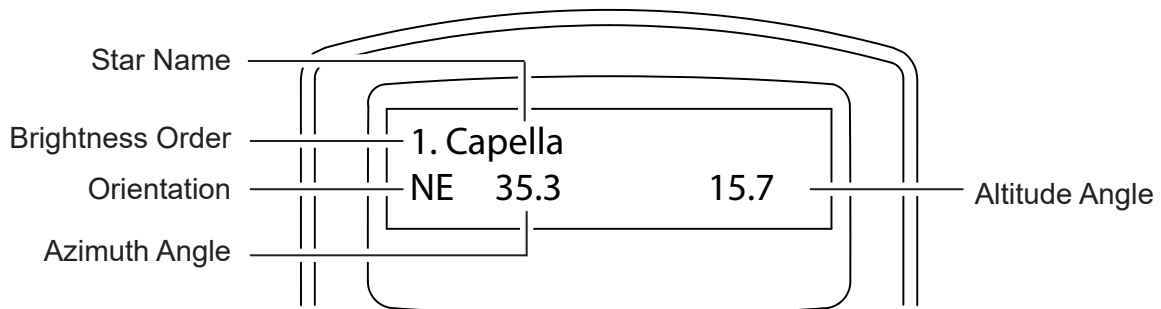


Fig. 3.4b

- Only stars brighter than magnitude 1.5 will appear in the list. If there are no stars brighter than magnitude 1.5 in the selected region, the hand control will display “No object found in this region.”
- If multiple bright stars appear in the list, users can identify the names of the stars in the real sky by matching the azimuth, altitude and magnitude provided by the SynScan hand control.
- Pick one of the star(s) (generally the brightest one) as the 1st alignment star and press the **ENTER** key to proceed to the next step. Press the **ESC** key to return to the previous step (“Select Region”).

- Now the screen will display “**Point scope to RR ZZ.Z’ TT.T’**”, which means point the telescope to RR region, the exact azimuth is ZZ.Z degrees and the exact altitude is TT.T degrees. Users can use the direction keys on the SynScan hand control to move the mount and point the telescope to the 1st alignment star selected in the previous step. Center the 1st alignment star in the FOV of the finder scope or the red dot finder, then press the **ENTER** key to proceed to the next step.

If the telescope has clutches on its axes, user can loosen the clutches to move the mount manually to point the telescope to the target.

- Now the screen will display “**Ctr. to eyepiece..**” and the name of the selected 1st alignment star. The star should have been in the FOV of the telescope. User can use the direction keys to center it in the eyepiece and then press the **ENTER** key to proceed to the next step.

Aligning the 2nd Star:

- If the 1st alignment star is not a planet, the LCD screen will display “**Choose 2nd Star**”; otherwise, it will display “**Choose 1st Star**”.
- Use the scrolling keys to browse through a list of star names and press **ENTER** key to pick the one on the screen as the 2nd alignment star. The mount will then automatically slew and point the telescope towards the 2nd alignment star in the sky.
- After the mount stops, the hand control will display the name of the selected 1st star on line 1 and “**Ctr. to eyepiece..**” on line 2. The telescope should now point rather closely to the 2nd alignment star (generally, in the FOV of the finder scope).
- Users can then use the direction keys to move the telescope to align with the 2nd alignment star. That is, center the 2nd alignment star in the FOV of the finder scope, and then center it in the FOV of the telescope’s eyepiece. Press the **ENTER** key to confirm the centering of the star and proceed to the next step. Generally, users can use Rate 5 or 6 to center the star in finder scope and use Rate 2 or 3 to center the star in the telescope’s eyepiece.
- If the 1st alignment star is *not* a planet, the SynScan hand control will now display “**Alignment Successful**”. Press **ENTER** key to skip extra messages and complete the alignment process.
- If the 1st alignment star is a planet, the SynScan hand control will display “**Choose 2nd Star**”. Repeat from Step 2 to complete the alignment process.

Cancelling the Alignment Process:

- While the mount is slewing in alignment process, users may press the **ESC** key to stop the mount. The hand control screen will display “**MOUNT STOPPED. Press any key...**”
- Press any key and the SynScan hand control will ask the user to select another alignment star.
- Press the **ESC** key again; the LCD screen will display “**Exit Alignment? 1) YES 2) NO**”. Press key **1** to exit the alignment process; press key **2** to go back to choose an alignment star.

3.5 Alt-Azimuth Mounts using 2-Star Alignment Method

Aligning the 1st Star:

1. The LCD screen displays “Choose 1st Star” in the first line. Use the scrolling keys to browse through a list of star names and Press **ENTER** key to pick the one on the screen as the 1st alignment star.
2. Now the screen will display “Point scope to ZZZ.Z’ TT.T’ ”, which means point the telescope to the direction with an azimuth of ZZZ.Z degrees and an altitude of TT.T degrees. This is also the direction of the selected 1st alignment star. Users can use the direction keys on the SynScan hand control to move the mount to point the telescope to the star and center it in the FOV of the finder scope or the red dot finder, and then press **ENTER** key to proceed to the next step.

If the telescope has clutches on its axes, user can loosen the clutches to move the mount manually to point the telescope to the target.

3. Now the screen will display “Ctr. to eyepiece..” and the name of the selected 1st alignment star. The star should have been in the FOV of the telescope. User can use the direction keys to center it in the eyepiece and then press the **ENTER** key to proceed to the next step.

Aligning the 2nd Star:

1. The LCD screen displays “Choose 2nd Star”. Use the scrolling keys to browse through a list of star names and press **ENTER** to pick one on the screen as the 2nd alignment star. The mount will then automatically slew and point the telescope towards the 2nd alignment star in the sky.
2. After the mount stops, the hand control will display the name of the selected 2nd alignment star and “Ctr. to eyepiece..”. The telescope should point rather closely to the 2nd alignment star (generally, in the FOV of the finder scope.)
3. Now users can use the direction keys to move the telescope to align with the 2nd alignment star. To align, center the 2nd alignment star in the FOV of the finder scope, and then center it in the FOV of the telescope’s eyepiece. Press **ENTER** key to confirm centering of the star and proceed to the next step. Generally, users can use Rate 5 or 6 to center the star in finder scope and use Rate 2 or 3 to center the star in the telescope’s eyepiece.
4. The SynScan hand control will now display “Alignment Successful”. Press **ENTER** to skip extra messages and complete the alignment process.

Cancelling the Alignment Process:

1. While the mount is slewing during alignment, users may press the **ESC** key to stop the mount. The hand control screen will display “MOUNT STOPPED!! Press any key...”
2. Press any key and the SynScan hand control will ask the user to select another alignment star.
3. Press the **ESC** key again; the LCD screen will display “Exit Alignment? 1) YES 2) NO”. Press key **1** to exit the alignment process; press key **2** to go back to choose an alignment star.

3.6 Alt-Azimuth Mounts using *Daytime Alignment Method*

In daytime, we usually use the Sun, the Moon, or the celestial object in the sky before dawn or after dusk as an alignment target to do a quick alignment. This alignment requires the telescope mount to be leveled before powering up and beginning the alignment.



NEVER USE YOUR TELESCOPE TO LOOK DIRECTLY AT THE SUN. PERMANENT EYE DAMAGE WILL RESULT. USE A PROPER SOLAR FILTER FIRMLY MOUNTED ON THE FRONT OF THE TELESCOPE FOR VIEWING THE SUN. WHEN OBSERVING THE SUN, PLACE A DUST CAP OVER YOUR FINDERSCOPE OR REMOVE IT TO PROTECT YOU FROM ACCIDENTAL EXPOSURE. NEVER USE AN EYEPIECE-TYPE SOLAR FILTER AND NEVER USE YOUR TELESCOPE TO PROJECT SUNLIGHT ONTO ANOTHER SURFACE, THE INTERNAL HEAT BUILD-UP WILL DAMAGE THE TELESCOPE OPTICAL ELEMENTS.

Aligning the Sun, Moon or Brightest Star in Daytime:

1. The LCD screen displays a warning message to remind you that looking directly at the Sun without proper protection is very dangerous and will result in permanent eye damage or blindness. Always use proper protection before aligning to the Sun. Please confirm that you have checked everything is safe before before aligning to the Sun. Press ENTER to go to the next step.
2. Now the screen will prompt the brightest object in the sky. If in daytime, the Sun will be the first target prompted in the alignment star list. You may also use the scroll keys to browse to another alignment object, such as the Moon, a planet, or a bright star to use as a reference target. Press ENTER to confirm the selection.
3. The LCD screen displays “Point scope to ZZZ zz.z’ sTT tt.t’ ”, which means point the telescope to the direction with an azimuth of ZZZ degrees, zz.z minutes and an altitude of sTT degrees, tt.t minutes. This is also the direction of the selected 1st alignment target. Users can then use the direction keys on the SynScan hand control to move the mount to point the telescope to the star and center the star in the FOV of the finder scope or the red dot finder, and then press **ENTER** key to proceed to the next step.

If the telescope has clutches on its axes, the user can loosen the clutches to move the mount manually to point the telescope to the target.

4. Now the screen will display “Ctr. to eyepiece..” and the name of the selected alignment object. The object should be in the FOV of the telescope. User can use the direction keys to center it in the eyepiece and then press the **ENTER** key. The hand control will display “Alignment Successful” and then return to the Daytime alignment menu. The daytime alignment is completed.

3.7 Tips for Improving Alignment Accuracy

Eyepiece

It is very important to put the alignment stars at the center (or the same spot) of the FOV of the telescope's eyepiece during the alignment process. Thus,

- It is recommended that a reticle eyepiece is used for alignment.
- If a reticle eyepiece is not available, try using an eyepiece with a shorter focal length to yield a smaller FOV. Users can defocus the telescope to obtain a large star disk in the FOV. Centering the star disk in the FOV is easier than centering a sharp star.
- During the alignment process, avoid changing or rotating the eyepiece and the diagonal mirror.

Mechanical Backlash

All mounts have some mechanical backlash on both axes. To avoid introducing alignment error from backlash, users should keep the following rules in mind:

- When centering an alignment star in the eyepiece, the operation should always end by using the **UP** and **RIGHT** direction keys to move the axes.
- If there is an overshoot when centering alignment star in eyepiece with **UP** or **RIGHT** keys, use the **LEFT** or **DOWN** keys to pull the star back to the edge of the FOV and then use the **RIGHT** or **UP** keys to center the star again.

Alignment Stars Selection

The choice of alignment stars might also impact the alignment accuracy. Please refer to Section 3.8 on the rules of choosing alignment stars for various mounts and alignment methods.

3.8 Comparison of Alignment Methods

1. Equatorial Mount with 1-Star Alignment:

Advantage: Quickest alignment.

Preconditions:

- An accurate polar alignment for the mount.
- Small cone error in the telescope-mount setup.

If the cone error is large, there will be noticeable offset in the R.A. when the SynScan hand control locates an object that is:

- » On the other side of the meridian from the alignment star
- » Deviated significantly with the alignment star in declination.

Rules for choosing an alignment star:

- Choose an alignment star with smaller declination. It will help the user to obtain higher resolution in R.A. movement in the telescope's eyepiece.
- If there is cone error in the telescope-mount setup or if users are not sure about it, it is recommended to choose an alignment star that is close to the object(s) to be observed.

2. Equatorial Mount with 2-Star Alignment:

Advantage: For visual observing, the mount does not need to be polar-aligned accurately.

Preconditions: Small cone error in the telescope-mount setup.

Rules for choosing alignment stars:

- The deviation in R.A. of the two alignment stars should not be too small or too close to 12 hours; the recommended deviation is between 3 hours and 9 hours.
- If there is cone error in the telescope-mount setup or if users are not sure about it, it is recommended to choose two alignment stars that are on the same side of the meridian. The absolute values of the two alignment stars' declination should deviate between 10 to 30 degrees.

Note: If the polar alignment of the mount is good, it is not necessary to choose “**2-Star alignment**” to align the mount, use the “**1-star alignment**” instead.

3. Equatorial Mount with 3-Star Alignment:

Advantages:

- Good pointing accuracy; even when the telescope-mount system has cone error.
- For visual observation, the mount does not need to be accurately polar-aligned.

Preconditions: The skies of both sides of the meridian are clear of obstructions.

Rules for choosing alignment stars:

- The 3 alignment stars should be spread out on both sides of the meridian.
- For the two alignment star on the same side of the meridian, their R.A. deviation should be greater than 3 hours, and the absolute value of the difference between the two alignment stars' declination should be between 10 to 30 degrees.
($10^\circ < |\text{Dec1} - \text{Dec2}| < 30^\circ$)
- If there is cone error in the telescope-mount setup or users are not sure about it, avoid the situation that all 3 alignment stars have small declination (close to the celestial equator).

Note: If users are sure that there is no (or very small) cone error in the telescope-mount system, then it is not necessary to choose the “**3-star alignment**” to align the mount. Use “**1-star alignment**” or “**2-star alignment**” instead.

4. Alt-azimuth Mount:

The “**Brightest Star Alignment**” is designed for entry level users who cannot identify stars in the night sky, and the “**2-Star alignment**” is for users who know the names of the stars in the night sky. Both alignment methods provide the same level of precision.

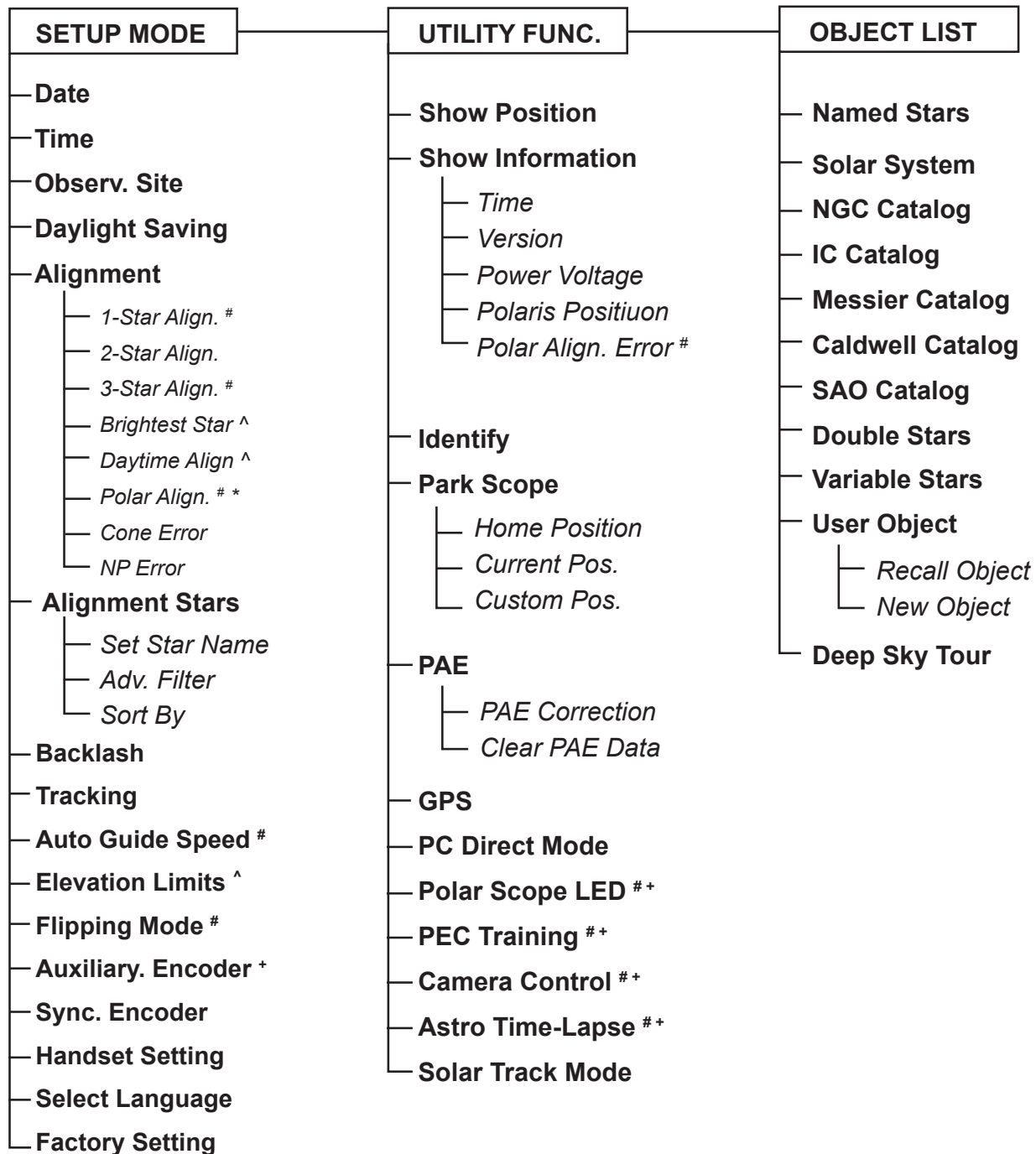
Rules for choosing alignment stars:

- It is recommended that the altitude of the two alignment stars are between 15 and 60 degrees and the deviation in altitude is between 10 and 30 degrees.
- The azimuth deviation of the two alignment stars can be between 45 and 135 degrees, it is best to be close to 90 degrees.

PART IV : SYNSCAN MENU TREE

4.1 Menu Structure

The SynScan hand control uses menu tree to organize its various functions. The following table shows the menu tree:



Note:

Applicable to Equatorial mounts

^ Applicable to Alt-azimuth mounts

* Only available after 2-star or 3-star alignment is performed

+ Applicable only to certain types of mounts and motor controllers.

4.2 Accessing Menus

The SynScan hand control's menu is only accessible after the initialization, or after the star alignment routine is completed (If it is chosen to start). Users can use the **ESC** key, the **ENTER** key, and the two scrolling keys to access the menu.

The functions of these keys are:

- **ESC** key: Used to return to the previous menu or to exit the current operation. Press the **ESC** key for several times to go back to the top level of the menu structure.
- **ENTER** key: Used to enter a sub-menu or to start the operation of the end level menu.
- **Scroll keys**: Used to scroll within the same level sub-menu.

4.3 Short-cut Keys

The SynScan hand control provides short-cut keys for accessing the most commonly used sub-menu. The short-cut keys may only be used while the hand control is in stand-by mode, that is, the SynScan hand control is not executing a specific operation. Users can always press the **ESC** key to quit the current operation if the short-cut keys are not accessible.

Here is the list of the short-cut keys and their functions:

- **MENU**: Access to the "SETUP" sub-menu.
- **TOUR**: Access to the "Deep Sky Tour" function.
- **UTILITY**: Access to the "UTILITY FUNCTION" sub-menu.
- **M**: Access to the "Messier Catalog" sub-menu.
- **NGC**: Access to the "NGC Catalog" sub-menu.
- **IC**: Access to the "IC Catalog" sub-menu.
- **PLANET**: Access to "SOLAR SYSTEM".
- **OBJECT**: Access to the "OBJECT LIST" menu and stay at the "Named Star" sub-menu.
- **USER**: Access to the "USER OBJECT" sub-menu.
- **ID**: Access to the "Identify" function.

PART V : LOCATING OBJECTS

Users can access several popular celestial object catalogs stored in the SynScan hand control and control the telescope mount to locate a specific object in the catalogs. The object location function is available for either “Full Feature” mode (Section 1.4 Step 1) or “Easy Tracking” mode (Section 1.4 Step 2) of the mount.

5.1 Locating Messier Objects

1. Choosing an Object:

Press the “M” shortcut key on the SynScan hand control. The screen will display “Messier Catalog / Messier =” to wait for input of the 3 digits Messier index number which is between 1 and 110.

- Use the number keys on the keypad to enter a number at the cursor position.
- Use the left or right direction keys to move the cursor.
- A 3-digit number starting with a 0 is acceptable. Ex. 001 = 01 = 1
- Press ENTER key to proceed to the next step.

2. Viewing Information on the Object:

- If the selected object is below the horizon at this time, the SynScan hand control will display “Below horizon” for 2 seconds; otherwise, it will display the object’s current azimuth and altitude.
- By using the scroll keys, users can browse the following information of the object: Current celestial coordinates, J2000 celestial coordinates, magnitude (MAG=), rising time (Rise:), transit time (Transit:), setting time (Set:), size (Size=), associated constellation (Constellation:) and common name of the object (Object Name) etc.
- Press ENTER key to proceed to the next step.

3. Locating the Object:

The screen will display “View Object?”

- Press the ESC key to return to the previous step.
- Press the ENTER key to have the mount slew towards the target. When the mount stops, the SynScan hand control will return to the previous step. The mount will also automatically start tracking the object.
- Users can press the ESC key to stop the mount. The screen will display “MOUNT STOPPED!! Press any key...”. Users can press any key to return to the previous step.

Note: The mount will not slew if:

- » The object is below the horizon; or
- » On an alt-azimuth mount, the object’s altitude exceeds the limit set by the hand control (Section 11.3). (The screen will display “Target over slew limit” in this case.)

5.2 Locating NGC and IC Objects

The process for locating NGC or IC objects is similar to that for locating Messier objects (Section 5.1), with the following differences:

- Press the “**NGC**” shortcut key to access the NGC catalog. The screen will display “**NGC Catalog / NGC =**”. The NGC catalog index number ranges from 1 to 7840.
- Press the “**IC**” shortcut key to access the IC catalog. The screen will display “**IC Catalog / IC =**”. The IC catalog index number ranges from 1 to 5386.

5.3 Locating Planets and the Moon

1. Choosing an Object:

Press the “**PLANET**” shortcut key. The screen will display “**SOLAR SYSTEM**” in the top row. Use the two scrolling keys to browse through a list of star names in the bottom row, which includes Mercury, Venus, Mars, Jupiter, Saturn, Uranus, Neptune, Pluto, and the Moon. Press **ENTER** key to pick one of the targets.

2. Viewing Information on the Object:

- If the selected object is below the horizon at this time, the SynScan hand control will display “**Below horizon**” for 2 seconds; otherwise, it will display the object’s current azimuth and altitude.
- By using the scroll keys, users can browse the following information of the object: current celestial coordinates, rise time (**Rise:**), transit time (**Transit:**), set time (**Set:**), and the common name of the object.
- Press **ENTER** key to proceed to the next step.

3. Locating the Object:

- The operation is similar to that for locating Messier objects; refer to Section 5.1 for details.

5.4 Locating Caldwell Objects

1. Choosing an Object:

Press the “**OBJECT**” shortcut key. The screen will display “**OBJECT LIST**” in the top row. Use the two scroll keys to browse the list until “**Caldwell Catalog**” is displayed, and then press the **ENTER** key. The screen will then display “**Caldwell Catalog / Cald. # =**” for a 3-digit Caldwell index number between 1 and 109 to be entered in.

2. Viewing Information on the Object:

- The operation is similar to that of locating Messier objects; refer to Section 5.1 for details.

3. Locating the Object:

- The operation is similar to that of locating Messier objects; refer to Section 5.1 for details.

5.5 Locating SAO Stars

1. Choosing an Object:

Press the “**OBJECT**” shortcut key. The screen will display “**OBJECT LIST**” in the top row. Use the two scrolling keys to browse the list until “**SAO Catalog**” is displayed, and then press the **ENTER** key. The screen will then display “**SAO Catalog / SAO 0000xx**” to wait for input of the 4 left-most digits of the 6 digits SAO index number (i.e. “**SAO 0238xx**”). Press **ENTER** key and then the hand control will find the first SAO number in the database that matches the 4 left-most digits entered (i.e. “**SAO 023801**”)

Use the scroll keys to change the last 2 digits until the screen displays the desired SAO index number. Press the **ENTER** key to confirm the input. (i.e. “**SAO 023825**”)

Note: The SAO catalog in the SynScan hand control is a sub-set of the SAO catalog. It only contains stars brighter than magnitude 8.

2. Viewing Information on the Object:

- The operation is similar to that of locating Messier objects; refer to Section 5.1 for details.

3. Locating the Object:

- The operation is similar to that of locating Messier objects; refer to Section 5.1 for details.

5.6 Locating Named Stars, Double Stars, and Variable Stars

1. Choosing an Object:

Press the “**OBJECT**” shortcut key. The screen will then display “**OBJECT LIST**” on the top row. Use the two scroll keys to browse the list until “**Named Star**”, “**Double Stars**” or “**Variable Stars**” is displayed, and then press the **ENTER** key to select the desired option. Once inside, use the two scroll keys to go through and find the desired object in the list of star names. Press the **ENTER** key to confirm the selection.

Note: For Named Stars, the SynScan hand control can display the common name or Bayer designation. Refer to Section 7.4 for details.

2. Viewing Information on the Object:

- The operation is similar to that of locating Messier objects; refer to Section 5.1 for details.
- For named stars, Distance to Earth in light years(**DIST.**), Spectral type, Bayer Designated name, catalog(SAO, HIP, HD) number are provided.
- For double stars, the separation angle (**Separation:**) and the position angle (**Position Angle**) are provided.
- For variable stars, the separation angle (**Separation:**) and the position angle (**Position Angle**) are provided.

3. Locating the Object:

- The operation is similar to that of locating Messier objects; refer to Section 5.1 for details.

5.7 Deep Sky Tour

The SynScan hand control can generate a list of the most famous deep sky objects which appear in the current sky. Users can pick them one by one and the SynScan hand control can point the telescope to them for observing automatically. This is the “Deep Sky Tour” function.

1. Choosing an Object:

Press the “TOUR” shortcut key. The screen will display “Deep Sky Tour” in the top row. User can use the two scroll keys to browse through a list of the common names of the deep sky objects and can press ENTER key to pick one of them.

2. View Information on the Object:

- The screen will display the catalog to which the deep sky object belongs, as well as its catalog index number in the top row. The object’s current azimuth and altitude will be displayed in the bottom row.
- Use the scroll keys to browse the object’s J2000 celestial coordinates, magnitude (**MAG=**), rise time (**Rise:**), transit time (**Transit:**), set time (**Set:**), size (**size=**), and associated constellation (**Constellation:**).
- Press ENTER key to proceed to the next step.

3. Locate the Object:

- The operation is similar to that of locating Messier objects; refer to Section 5.1 for details.

5.8 User Defined Objects

Users can define up to 25 objects for observing.

Defining New Objects:

1. Press the “USER” shortcut key. The screen will display “USER OBJECT”. Press the scroll keys until “New Object” is displayed on the screen, then press the ENTER key.
2. The screen will display “Coord. Type 1)RA-Dec 2)Mount”. Press “1” to enter R.A./Dec. coordinates for a celestial object; press “2” to enter coordinates for a land object.
 - **If the “R.A.-Dec.” coordinates is chosen:** The screen will display the coordinates to which the telescope is pointing to at the moment.
 - **If the “Mount” coordinates is chosen:** The screen will display the coordinates of the mount’s two axes. The first number is the coordinates of the R.A. axis or azimuth axis, while the second number is the coordinates of the Dec. axis or altitude axis.

3. Use the left and right direction keys to move the cursor and the numeric keys to edit the coordinates. The scroll keys can be used to change the sign of the declination coordinates or the altitude coordinates. Press the **ENTER** key after editing.
4. The screen will display “**Save?**”.
 - Press the **ESC** key to proceed to the next step without saving the coordinates.
 - Press the **ENTER** key again to start saving the coordinates. Users should use the scroll keys to select a storage space index number between 1 and 25 and press the **ENTER** key to save the new coordinates.
5. The screen will now display “**View Object?**”.
 - Press **ENTER** to slew the mount towards the coordinates entered.
 - Press **ESC** to exit without moving the mount.

Recalling Objects:

1. Press the “**USER**” shortcut key. The screen will display “**USER OBJECT / Recall Object**”. Press the **ENTER** key.
2. Use the scroll keys to browse through a pre-defined objects list which is indexed from 1 to 25, and then press **ENTER**. If the selected object has not been defined before, the SynScan hand control will stay at this step for the choosing of another object; otherwise, it will proceed to the next step.
3. The screen will display the coordinates of the selected object. Press the **ENTER** key again to proceed.
4. The screen will now display “**View Object?**”
 - Press **ENTER** to have the mount start slewing towards the selected object. If the object is a celestial object, the mount will start tracking the object automatically after it finishes slewing.
 - Press **ESC** to exit.

PART VI : CONFIGURE THE TELESCOPE MOUNT

6.1 Choosing the Tracking Speed

1. Access the menu “**SETUP\Tracking**” and press the **ENTER** key.
2. Use the scroll keys to browse through the following options, and press the **ENTER** key to pick one.
 - **Sidereal Rate:** Enables the mount to track celestial objects at the sidereal rate for observing the stars, deep sky objects, and planets.
 - **Lunar Rate:** Enables the mount to track at the lunar rate for observing the Moon.
 - **Solar Rate:** Enables the mount to track at the solar rate for observing the Sun.
 - **Stop Tracking:** Stops the mount.
 - **PEC+Sidereal:** Enables the mount to track at the sidereal rate and turns on the periodic error correction (PEC) function. Applies to equatorial mounts only.

Note: Users can turn on the tracking without doing a star alignment process. In this case, the polar alignment should be rather accurate for an equatorial mount; and the mount must be set up to the proper home position before turning on the power (refer to Section 2.1).

6.2 Backlash Compensation

If there is backlash in the motor driving system, users might see a lag when moving an object in the FOV of the telescope with the direction keys. The SynScan hand control can control the mount to slew with higher speeds for a specific amount of distance when the user reverses the moving direction of an axis with opposite direction keys. Such a backlash compensation function helps the user get faster response from the mount.

Users should input the amount of the backlash of both axes of the mount as follows:

1. Access the menu “**SETUP\Backlash**” and press the **ENTER** key.
2. The screen will display “**Azm = X°XX'XX**” or “**RA = X°XX'XX**”. Use the Left/Right keys to move the cursor and use the numeric keys to fill in a number at the cursor position to input the amount of backlash in the azimuth axis or the R.A. axis. Press the **ENTER** key to finish the input and proceed to the next step.
3. The screen will display “**Alt = X°XX'XX**” or “**Dec = X°XX'XX**”. Fill in the amount of backlash in the altitude axis or declination axis and then press the **ENTER** key.

Note: Set the backlash value to 0 for an axis to disable backlash compensation for that axis.

6.3 Setting the Elevation Slewing Limits

Some telescope mounts have limited slewing range in elevation. Users can set the upper and lower limits for such mounts.

- When a user asks the SynScan hand control to locate an object whose elevation exceeds the limits, the SynScan hand control will display “**Target is over slew limits!!**” and will not start the mount slewing.
- When a user uses the direction keys to slew the mount passing the limits, the SynScan hand control will automatically stop the slewing and display “**Over slew limit. Slewing stop!**”. User has to press any key and the SynScan controller will bring the altitude axis back.

The following are the steps to set the altitude slewing limits:

1. Access the menu “**SETUP\Elevation Limits**”, and press the **ENTER** key.
2. Use the scroll keys to choose options “**Enable**” or “**Disable**”, and then press the **ENTER** key to confirm.
3. If “**Disable**” is chosen, the SynScan hand control will turn off the altitude limit.
4. If “**Enable**” is chosen, the SynScan hand control will turn on the altitude limit, and users can input the upper and lower limits as the following:
 - The screen will display “**Set Elev. Limits:**” in the top row, and “**Upper=+XXX. X°**” at the bottom row. Use the **Left/Right** keys to move the cursor and use the numeric keys to fill the upper limits. The leading sign can be changed with the scroll keys. Press the **ENTER** key to end the input and proceed.
 - The screen will display “**Lower=+XXX. X°**” at the bottom row; fill in the data in a similar way.

6.4 Enable/Disable Auxiliary Encoder

Some Sky-Watcher’s mounts are equipped with auxiliary encoders on their primary axes to support manually rotating the axes without worrying about losing the mount’s alignment status. Users may turn off the auxiliary encoder to obtain the best pointing accuracy. The auxiliary encoder can be turned on again at any time for manually moving the mount.

1. Access the menu “**SETUP\Aux. Encoder**” and press the **ENTER** key.
2. Use the scroll keys to select between “**Enable**” or “**Disable**” and press the **ENTER** key.

Note:

- After re-enabling the auxiliary encoders, it is recommended to use the direction keys to move both axes for a little bit before asking the hand control to locate an object.
- For mounts which do not have auxiliary encoders, the hand control will display “Not available !”

6.5 Setting Autoguider Speed

For an equatorial mount with an autoguider port, the SynScan hand control can change the guiding speed of the port.

1. Access the menu “**SETUP \ Auto Guide Speed▶**” and press the **ENTER** key.
2. Use the scroll keys to choose one of the following guiding speeds list: **0.125X, 0.25X, 0.5X, 0.75X, 1X**, and then press the **ENTER** key.

6.6 Setting Flipping Mode

On an equatorial mount, SynScan hand control automatically decides whether to perform a meridian flipping at the beginning of a GOTO, to prevent telescope from bumping on the tripod. In some occasions, astrotographers can choose whether to do a meridian flip or not.

Access to menu “**Setup\Flipping Mode** “,

- Scroll to “**Auto Flipping**” and press **ENTER** key to let the hand control decide automatically.
- Scroll to “**Force Flipping**” and press **ENTER** key to force the mount to perform a meridian flipping for the next GOTO **ONLY**.
- Scroll to “**No Flipping**” and press **ENTER** key to forbid the mount from performing a meridian flipping for the next GOTO **ONLY**.

PART VII : CONFIGURE THE HAND CONTROL

7.1 Display and Keypad

1. Access the menu “**Setup \ Handset Setting**” and press the **ENTER** key.
2. Use the scroll keys to select “**LCD Contrast**”; then use the left/right direction keys to adjust the contrast of the LCD screen.
3. Use the scroll keys to select “**LED Backlight**”; then use the left/right direction keys to adjust the brightness of the keypad’s LED backlight.
4. Use the scroll keys to select “**LCD Backlight**”; then use the left/right direction keys to adjust the brightness of the LCD screen’s backlight.
5. Press **ESC** to exit the adjustment.

7.2 Alignment Star Filter

Not all combinations of alignment stars are good for a 2-star alignment or 3-star alignment. The SynScan hand control uses a built-in advanced alignment star filter to show only the stars which are suitable to work with the 1st or 2nd alignment star(s), when asking the user to choose the 2nd or 3rd alignment star. It helps to improve the success rate of the alignment.

Some advanced users or those who have limited visible sky can turn on/off this advance filter with the following steps:

1. Access the menu “**Setup \ Alignment Stars \ Adv. Filter**” and press the **ENTER** key.
2. Use the scroll keys to choose “**OFF**” and then press the **ENTER** key to disable the filter.
3. Use the scroll keys to choose “**ON**” and then press the **ENTER** key to enable the filter.

Note: Even if the advanced filter function is turned off, the SynScan hand control will still apply the following rules to generate the list of alignment stars:

- The alignment star’s altitude must be above 15 degrees.
- For an equatorial mount, the alignment star’s declination must be between -75 and +75 degrees.
- For an alt-azimuth mount, the alignment star’s altitude must be below 75 degrees or within the altitude limits defined by the user (Section 6.3).

7.3 Sorting the Alignment Star List

1. Access the menu “**Setup \ Alignment Stars \ Sort by**” and press the **ENTER** key.
2. Use the scroll keys to select “**Magnitude**” and press the **ENTER** key to sort the list by magnitude (from the brightest to the faintest).
3. Use the scroll keys to select “**Alphabet**” and the press the **ENTER** key to sort the list alphabetically.

7.4 Naming of Stars

1. Access the menu “**Setup \ Alignment Stars \ Set Star Name**” and press the **ENTER** key.
2. Use the scroll keys to choose between “**Common Name**” and “**Bayer Designation**”, press the **ENTER** key to confirm.

7.5 Language Configuration

The SynScan™ V4 Hand Control with firmware version 4.38.01 or higher supports multiple languages, such as English, Chinese (simplified), Japanese, Spanish, Portuguese, German, French, Italian, Dutch, Russian, Croatian, Hungarian, Romanian, etc. Users may select and set a different language as the language for the hand control.

Note: Only SynScan™ V4 hand control with new firmware has multi-language support; the SynScan™ V3 hand control does not have this feature.

Here are the steps of language setting:

1. Browse to “Select Language“ under the Setup sub-menu, then press ENTER.
2. Use the scroll keys to select a language from the list as follows,

English	中文	日本語	Español
Português	Deutsch	Français	Italiano
Nederlands	Русский	Hrvatski	Magyar
Română			

Current selected language will be highlighted in the list.

3. Press ENTER. The hand control will display in the selected language.

Note: If the user executes the Factory Setting function under the Setup menu, the hand control will reset the language to English as its factory default setting.

Tips:

- If the hand control was set to an unfamiliar language by accident and the foreign language messages are not easy to understand, the user may turn off the power, press and hold the ‘5’ and ‘8’ keys on the hand control simultaneously, and then turn on the power again. The hand control will go into SET LANGUAGE mode; the user may use the scroll keys to find one of the three default languages, English, Chinese and Japanese, then press ENTER to select the language you familiar with. Restart the hand control, and it will display in the selected language.

PART VIII : AUXILIARY FUNCTIONS

8.1 Editing Date, Time, Coordinates, Time Zones, and Daylight Saving Time

1. Press the “MENU” shortcut key.
2. Use the scroll keys to select “Date” and press the ENTER key to edit the date. Press the ENTER key to apply change, or press the ESC key to exit. (Note: The setting of the date is in mm/dd/yyyy format, i.e. 10/24/2012)
3. Use the scroll keys to select “Time” and press the ENTER key to edit the time. Press the ENTER key to apply change, or press the ESC key to exit. (Note: The setting of the time is in 24 hours format, i.e. 18:30:00 is entered for 6:30pm.)
4. Use the scroll keys to select “Observation Site” and press the ENTER key to edit the geographic coordinates. Press the ENTER key to apply the change or press the ESC key to exit. Edit the time zone. Press the ENTER key to apply change or press the ESC key to exit.
5. Use the scroll keys to select “Daylight Saving” and press the ENTER key, and then use the scroll keys to select between “Yes” and “No”. Press ENTER to apply change.

Note: refer to Step 5 in Section 2.2 for detailed input instructions.

8.2 Re-aligning the Mount

Users can execute the 1-star alignment, 2-star alignment or 3-star alignment at any time without restarting the mount.

1. Access the menu “SETUP \ Alignment” and then press the ENTER key.
2. Use the scroll keys to select an alignment method and press the ENTER key to start the alignment process. For detailed instructions on alignment, please refer to PART III.

8.3 Show Position

1. Access the menu “UTILITY FUNCTION \ Show Position” and press the ENTER key.
2. Use the scroll keys to switch between the following coordinates:
 - **Dec/RA:** Displays the current celestial coordinates of the telescope.
 - **Alt/Azm:** Displays the current horizontal coordinates of the telescope.
 - **Ax1/Ax2:** Displays the current coordinates of the mount. **Ax1** is the position of the declination or altitude axis, and **Ax2** is the position of the R.A. or azimuth axis.

Tip: Users can use the direction keys to slew the mount to specific coordinates by referring to the real-time coordinates display.

8.4 Show Time and Local Sidereal Time

Access the menu “UTILITY FUNCTION \ Show Information \ Time” and press the ENTER key to display the current local time and the local sidereal time. Press the ESC key to exit.

8.5 Display Version Information

Access the menu “UTILITY FUNCTION \ Show Information \ Version” and press the ENTER key, and then use the scroll keys to browse through the following information. Press the ESC key to exit.

- **H.C. Firmware:** The firmware version of the SynScan hand control.
- **Database:** The database version of the SynScan hand control
- **H.C. Hardware:** The hardware version of the SynScan hand control.
- **Motor Controller:** The firmware version of the motor controller of the mount.
- **H.C. Serial #:** The serial number of the SynScan hand control.

8.6 Display Power Voltage

Access the menu “UTILITY FUNCTION \ Show Information \ Power Voltage” and press the ENTER key to display the power voltage applied to the mount. Press the ESC key to exit.

8.7 Display Polaris Position

Access the menu “UTILITY FUNCTION \ Show Information \ Polaris Pos.” and press the ENTER key, and then use the scroll keys to switch the screen display between “Polaris Position in P. Scope = HH:MM”. and “Hour Angle of Polaris = HH:MM“. Press the ESC key to exit.

8.8 Display Polar Alignment Error

Access the menu “UTILITY FUNCTION \ Show Information \ P.A Error” and press the ENTER key. The screen will display “Mel=+DDD°MM’Ss Maz=+DDD°MM’Ss”. The “Mel” value is the polar alignment offset in elevation, and the “Maz” value is the polar alignment offset in azimuth. These data is valid only after a 2-star alignment or a 3-star alignment.

8.9 Changing Polar Scope Illumination Level

This function applies only to certain Sky-Watcher’s equatorial mounts that are equipped with a polar scope illuminator.

1. Access the menu “UTILITY FUNCTION \ Polar Scope LED” and press the ENTER key.
2. Use the **Left/Right** direction keys to adjust the illumination level. Press the ENTER key to confirm and exit.

8.10 Identifying Objects

After aligning the mount, the SynScan hand control can be used to identify the object to which the telescope is pointing.

1. Center the object to be identified in the telescope’s eyepiece.
2. Press the “ID” shortcut key. The screen will display “Identify: Searching...”. The SynScan hand control will look up the named stars, planets, Messier objects, NGC objects, and IC objects within a 5 degrees range centered by the object in the eyepiece.
3. The screen will display “No object found” if the SynScan hand control cannot identify the object.
4. If an object is found within the 5 degree range, then the screen will display the object’s name in the top row, and the deviation from the object to the center of the eyepiece.
5. If multiple objects are found, use the scroll keys to browse through the list of identified objects.

6. Press the **ENTER** key to select an identified object and then use the scroll keys to read its data, such as the J2000 celestial coordinates, magnitude (**MAG=**), rising time (**Rise:**), transit time (**Transit:**), setting time (**Set:**), size (**Size=**) and associated constellation (**Constellation:**), etc.
7. Press the **ESC** key to exit.

8.11 Synchronizing Encoders

If the mount loses the correct position of any of its two axes (for example, the axis is manually moved), the pointing accuracy will be poor when the SynScan hand control tries to locate an object.

Providing the base of the mount is not moved, users can recover the pointing accuracy with the “**Synchronize Encoder**” operation:

1. Access the menu “**Setup \ Sync. Encoder**” and press the **ENTER** key.
2. Use the scroll keys to select an alignment star and press the **ENTER** key. The mount will point the telescope towards the alignment star.
3. After the mount has stopped, use the direction keys to center the alignment star in the eyepiece, then press the **ENTER** key to confirm.
4. The SynScan hand control will display “**Sync Encoder Completed**”. Press any key to exit.

PART IX : CONNECTING TO A COMPUTER

9.1 Working with Astronomical Applications

After the SynScan hand control is initialized, it can communicate with a computer via the RS-232C connection on its multi-purpose port. The computer must have a RS-232C serial port; otherwise, a USB-to-Serial adapter is required. Connect the SynScan hand control and the serial port with the PC-Link cable (the RJ-12 to D-Sub 9 cable) which comes with the telescope mount.

The most popular astronomical applications which can work with the SynScan hand control are:

- Planetary Applications: Users can click on an object on the sky map to command the telescope to point to the object.
- Autoguider Applications: Corrects minor tracking errors dynamically for long exposure astrophotography.

Note: The SynScan hand control cannot work with the above applications in the following situations:

- When checking GPS information (Section 12.2).
- During the PEC training process.
- When working in PC Direct mode (Section 9.2).

9.2 PC Direct Mode

PC Direct Mode is a special mode for the SynScan hand control to work with a PC. Under this mode, the SynScan hand control still uses the same hardware connection as described in Section 9.1, but the SynScan hand control becomes a repeater between the PC and the motor controller in the telescope mount. The application running on the PC controls the motor controller directly.

Currently, the PC direct mode is mainly used to update the motor controller's firmware.

- Access the menu "UTILITY FUNCTION \ PC Direct Mode" and press the ENTER key. The screen will display "PC Direct Mode\Press ESC to exit".
- Press and hold the ESC key more than 1 second to exit PC Direct Mode.
- Users can still use the direction keys to move the telescope mount.

PART X : UPDATING FIRMWARE

10.1 Hardware Requirements

1. A SynScan hand control with firmware version 3.0 or higher.
2. A computer running Windows 95 or a later version.
3. A RS-232C serial port on the computer, or a USB-to-Serial adaptor.
4. The PC-Link cable (D-Sub9 to RJ-12) which comes with the mount.

10.2 Preparation

1. Create a new folder in the computer (for example, C:\SynScan) to save relevant files.
2. Download the application package “SynScan Firmware Loader” from <http://www.skywatcher.com/> and extract the file “SynScanFirmwareLoader.exe” to the above folder.
3. Download the latest firmware package and extract the “.SSF” file to the above folder.

10.3 Updating Firmware

1. Connect the computer and the SynScan hand control with the PC-Link cable.
2. Connect the hand control to the telescope mount.
3. Press and hold the “0” and “8” keys simultaneously, and then turn on the power of the mount. The hand control will display “SynScan Update” on the screen. Release the “0” and “8” keys.
4. On the computer, run the SynScanFirmwareLoader.exe. An application window is show in Fig 10.3a.

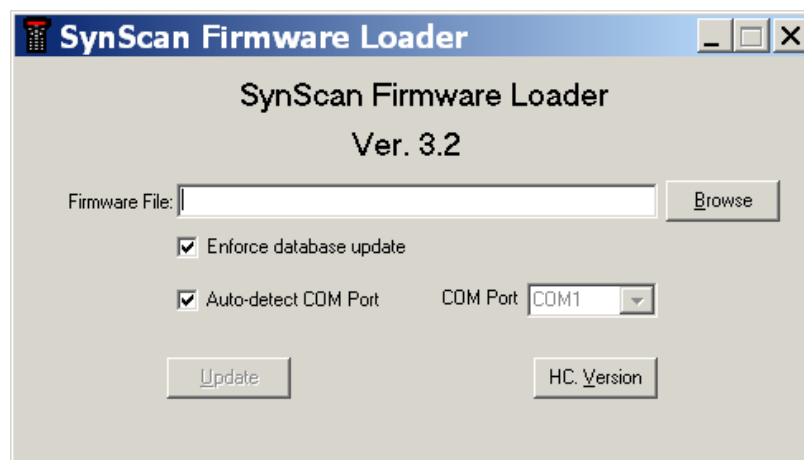


Fig. 10.3a

- Use the “**Browse**” button to load the latest firmware file (“.SSF” file)
- Check the “**Enforce database update**” to enforce updating the hand control’s database. Clear it to let the application determine whether it is necessary to update the database.
- Check the “**Auto-detect COM port**” to let the application detect the proper serial port that will connect to the SynScan hand control. Clear it to manually choose the COM Port and select a serial port from the “**COM port**” drop-down list.

- Click the “**HC Version**” button to check the versions of the hardware, firmware, and database.
 - Click the “**Update**” button to start loading the firmware to the SynScan hand control.
4. After the loading starts, the application will display a percentage number at the bottom of the windows to show the progress.
 5. Once update is complete, the application will display a green bar with “**Update Complete**” at the bottom of the window.

10.4 Troubleshooting

1. If a window pops up and displays the message: “**Cannot connect to a SynScan hand control**” after clicking the “**Update**” button or the “**H.C. Version**” button, close the message window and click the “**Update**” button or the “**H.C. Version**” button to try again. If the application displays the message again, check the cable connections and ensure the USB-to-Serial Port adaptor is working.
2. If the firmware update fails, the SynScan Firmware Loader will pop up a window with message “**Firmware update failed. Cycle power to SynScan and try again!**”. Close the window and power off the hand control. Then repeat the firmware update process again.
3. If the update process failed in the middle of updating, try to press the **SETUP** button on the SynScan hand control to use other communication speeds: “**Mi**” or “**Lo**.”
 - **Mi** - Medium speed
 - **Lo** - Low speed

PART XI : ADVANCED FUNCTIONS

11.1 Parking the Telescope

If the mount of the telescope have not been moved after an observing session, the user can park the telescope to keep the alignment data, PAE data and PEC data, and start observing in the next session without redoing the alignment and calibration.

Parking

1. Access the menu “UTILITY FUNCTION\Park Scope” and press the ENTER key.
2. The screen will display “Park to...”. Use the scroll keys to choose one from the following parking position and press the ENTER key.
 - **Home Position:** Park the telescope to the Home Position (Refer to section 2.2.1).
 - **Current Pos.:** Park the telescope at the current position.
 - **Custom Position:** Park at the previous parking position which is used in the previous observing session.
3. The mount will slew to the parking position (except parking at the current position). When the mount stops, the screen will display “Position saved. Turn off power”.
4. Users may now turn off power to the mount, or press the ESC key to cancel parking.

Resuming

- Turn on power to the mount.
- Pass through the initial steps.
- When the screen will display “Start from park? 1) Yes 2)No”,
 - » Press “1” key to resume the mount from the parking status. After the regular initialization steps, the SynScan hand control will be ready for full feature operation like the previous observing session.
 - » Press “2” key to abandon the previous saved parked position and alignment data and start a regular observing session.

11.2 Pointing Accuracy Enhancement

The pointing accuracy enhancement (PAE) function enables the telescope mount to obtain enhanced pointing accuracy in specific small areas.

After a 1-star, 2-Star or 3-star alignment, the telescope mount might still have a small pointing error due to many factors, such as the flexure of the telescope, atmospheric refraction or other mechanical issues. The amount of pointing error might vary in different portions of the sky.

The SynScan hand control divides the sky into 85 small zones, and users can calibrate the pointing error for each of these zones. The next time that the SynScan controller tries to locate an object in the calibrated zone (or a zone nearby), it will automatically apply the recorded calibration data to compensate the pointing error.

This function is useful for locating faint deep sky objects, and is also helpful for obtaining consistent pointing accuracy for a permanent observatory.

Here are the instructions on using the PAE function:

1. Perform a 1-star alignment, 2-star alignment, or a 3-star alignment.
2. Choose a celestial object in a zone of interest as reference by referring to a sky map or planetarium software. In general, it is a rather bright star, but users can also use other objects. Use the SynScan hand control to control the mount to point the telescope to the reference object.
3. Use one of the following operations to start the PAE calibration:
 - Press the “UTILITY” shortcut key, access to sub-menu “PAE\PAE Correction”, and then press the ENTER key.
 - Press and hold the ESC key for two seconds.
4. The screen will display “Re-centering Obj.:" in the first row, and display the name of the reference object in the bottom row. (If the last object is launched from a PC, then instead of the name of the reference object, it will display “The last target”.) Now use the direction keys of the hand control to center the object in the telescope’s FOV, and then press ENTER to confirm. Remember to end the centering operation by pressing the Right and Up direction keys together.
5. Repeat Step 2 to 5 for viewing different portions of the sky.

Note:

- Whenever the SynScan hand control locates an object, it will automatically check whether any PAE calibration data is available, and apply the compensation accordingly. No manual intervention is required.
- If multiple PAE calibrations are performed in the same zone, the previous calibration data will be overwritten.
- Users can access the menu “UTILITY FUNCTION > PAE > Clear PAE data” to clear all PAE calibration data.
- The PAE calibration data will be automatically cleared after a **1-star alignment**, **2-star alignment** or **3-star alignment**.

11.3 Polar Alignment without Polar Scope

The polar alignment function can help users to polar align an equatorial mount accurately.

Here are the operating instructions:

1. Complete a 2-star alignment or a 3-star alignment. At the end of the alignment, the SynScan hand control will display the polar alignment error (refer to Section 3.3). Users can use the data to determine whether it is necessary to adjust the polar alignment.
2. Press the “MENU” shortcut key, and then access to sub-menu “Alignment\Polar Alignment”, press the ENTER key to proceed to the next step.
3. The screen will display “Select a Star”.

- Use the scroll keys to browse through a list of star names and press the **ENTER** key to pick one as the reference star for polar alignment.
 - The mount will start slewing to point the telescope to the reference star.
4. Use the direction keys to center the reference star in the eyepiece of the telescope after the mount stops slewing. Remember to end the centering operation with **Up** and **Right** direction keys. Press the **ENTER** key to proceed to the next step.
 5. The screen will now display the polar alignment error in altitude (Mel=dd°mm'ss"). Users can then use the data to determine whether or not to adjust the altitude of the R.A. axis in the next step. Press the **ENTER** key to proceed.
 6. The mount will slew to a new position. When it stops, the screen will display "Adjust Altitude:". By using **ONLY** the altitude control of the mount (do not touch the azimuth control), bring the reference star back to the closest point to the center of the FOV of the telescope's eyepiece. Remember the reference star's current position in the eyepiece for later adjustment. Press the **ENTER** key to confirm the centering operation.
 7. The screen will now display the polar alignment error. Users can then use the data to determine whether or not to adjust the azimuth of the mount in the next step. Press the **ENTER** key again to proceed to the next step.
 8. The mount will slew to a new position. When it stops, the screen will display "Adjust Azimuth:" By using **ONLY** the azimuth control of the mount (do not touch the altitude control), bring the reference star back to the closest point to the previous position (at the end of Step 6). Press the **ENTER** key to confirm the centering operation.
 9. The screen will display the polar alignment error again, press the **ENTER** button to end the polar alignment process.
 10. Go back to the "**Alignment**" menu on the SynScan hand control and execute another 2-Star or 3-Star alignment, and then check the polar alignment error data reported at the end of the 2-star alignment or 3-star alignment. Repeat Step 2 to Step 9 until the error is small enough and acceptable. Generally, users can get up to 1 arc-minute polar alignment accuracy after repeating this polar alignment process 2 or 3 times.

Note:

- Users can press the **ESC** key at any time during the polar alignment process to exit. The initial polar alignment should not be too far off to avoid the polar alignment error in azimuth axis from exceeding the adjustment range of the mount.
- It is necessary to use a reticle eyepiece in the 2-Star alignment, 3-star alignment and polar alignment process.
- Generally, the cone error in a telescope-mount setup might reduce the accuracy of this polar alignment process. Therefore, it is recommended to reduce or eliminate the cone error before the polar alignment process (Refer to **APPENDIX 1 : ELIMINATING CONE ERROR ON EQUATORIAL MOUNTS**).

- It is recommended that the user verify the accuracy of the **2-star alignment** or **3-star alignment** before starting the polar alignment process by locating several objects in different areas of the sky. If the pointing accuracy is low, try to use another set of alignment stars for the **2-star** or **3-star alignment** process.

11.4 Camera Control

The SynScan hand control can control a DSLR camera to do astrophotography. It can accept 8 groups of “Exposures Time - Frames” parameters, and then controls the camera to take batch exposures without manual intervention.

To use the camera control function, the camera must be equipped with a shutter release control port and can be set to the bulb exposure mode.

Connecting the Camera

1. **Using the SNAP port on the telescope mount:**

Several Sky-Watcher’s equatorial mounts (such as the AZ-EQ6 GT and the EQ8) are equipped with a SNAP port. Users can use a proper shutter release control cable to connect this port to the same port on the camera.

2. **Using the multi-purpose port on the SynScan hand control:**

The SynScan hand control uses 2 pins (The SHUTTER and COMMON pins in the diagram of Appendix 3) of its multi-purpose port to control the shutter release of a DSLR camera. Users may use a proper shutter release cable to connect the SynScan hand control and a camera.

Setup Control Parameters

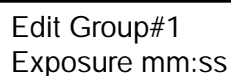
1. Press the “UTILITY” shortcut key, access to sub-menu “Camera Control \ Configuration” and press the ENTER key.
2. Edit the interval between each exposure (in MM:SS format) and press the ENTER key .
3. Use the scroll keys to browse through a list of 8 groups of parameters. A sample screenshot is shown below:



Select a Group
1. mm:ss X 000

The leading number (“1”) is the index number of this group; the “mm:ss” data is the exposure time in minutes and seconds; and the ending 3 digits number is the frames to be shot. Press the ENTER key to pick a group and proceed to the next step.

3. The first row of the screenshot below indicates the index number of the group being edited. The second row shows the exposure time of this group.



Edit Group#1
Exposure mm:ss

- Use the left and right keys to move the cursor and use the numeric keys to fill the digits with the cursor. Press the **ENTER** key to end setting the exposure time.
- Now the screen is changed to set the frames to be shot for this group, as shown below. Use the left and right keys to move the cursor and use the numeric keys to fill in the digits with the cursor. Press the **ENTER** key to end setting the frames.

Edit Group#1
 Repeats 000

- The SynScan hand control will return to the status of Step 2 for users to choose and edit another group of parameters.

Note: To disable a group, set either the “**Exposure**” or the “**Repeats**” parameters to **0**.

4. After setting all groups of the parameters, press the **ESC** key to exit the configuration process.

Batch Exposure

1. Set the camera to bulb exposure mode.
2. Press the “**UTILITY**” shortcut key, access to the sub-menu “**Camera Control \ Shoot**”, and press the **Enter** key.
3. The SynScan hand control will start to take batch exposure and display the progress data on the screen, a sample screenshot is shown below:

Shooting#1: 003
 Released mm:ss

- The top row shows the group index and the frames pending.
 - The bottom row shows the remaining exposure time of the current frame.
 - At the end of each frame, the SynScan hand control will wait for the preset interval before the next exposure.
4. During the batch exposure, users can press the **ESC** key to suspend the operation. The screen will display “**Shoot Suspended. 1) Resume 2) Exit**”. Press “**1**” key to resume batch exposure or press “**2**” key to exit.

Shoot Suspended
 1) Resume 2) Exit

11.5 Periodic Error Correction (PEC) for EQ Mount

The periodic error correction function applies to equatorial mounts only.

All equatorial mounts have periodic tracking error, which is not critical for visual observations but might lower the picture quality of long exposure astrophotography. The SynScan hand control has the periodic error correction (PEC) function to improve the tracking performance for astrophotography.

Depending on the model of the equatorial mount, there are two types of PEC. One is software based PEC (SPEC), which applies to Sky-Watcher's EQ3/EQ5/HEQ5/EQ6 Pro mount. The other is permanent PEC (PPEC), which applies to Sky-Watcher's AZ-EQ6 GT mount and EQ8 mount. The SynScan hand control can detect the mount model and choose the corresponding PEC algorithm.

The PEC function is a training-replay process.

PEC Training:

1. Polar align the equatorial mount accurately, then perform a star alignment.
2. Choose a star close to the celestial equator, point the telescope towards it and start the mount tracking. Center the star in the telescope's eyepiece.
3. Access the menu "UTILITY FUNCTION\PEC Training" and press the **ENTER** key, the screen will display "Select Speed: 1)0.125X 2)0.25X". This is the speed used to adjust the position of the star in the FOV of the telescope when a user presses the **Left** or **Right** direction key on the SynScan hand control. Choosing a 0.125X sidereal rate is recommended for a smaller FOV of telescope, and a 0.25X sidereal rate is recommended for a wider FOV of telescope. Press the "1" or "2" key to make a selection and proceed to the next step.
4. The screen will display the elapsed time. Use the **Left** and **Right** direction keys to control the mount and keep the star at the same spot in the FOV of the telescope until the SynScan hand control stops displaying the time. The total time for this training process depends on the mount model.

PEC Replay

Once PEC training is completed, access the menu "Setup\Tracking\PEC+Sidereal" and press the **ENTER** key to start the PEC replay, that is, start to compensate the period error. Choosing other items in the menu "Setup\Tracking" will turn off the PEC.

Notes:

- It is recommended to use a high-power telescope and a reticle eyepiece for the PEC training. A digital eyepiece with a computer is preferred.
- For the equatorial mounts that support PPEC (such as the AZ-EQ6 GT and EQ8 mounts), an autoguider can be used to replace manual guiding in PEC training process. In such cases, it is recommended to turn on the autoguiding for at least one minute before starting the PEC training process. The total time for the PEC training of these mount can be as long as two cycles of the period error.

1. PEC can only compensate for tracking errors on the R.A. axis. Therefore, a precise polar alignment is still required to track minor errors on the Dec. axis.
2. After turning on the PEC replay, it is recommended that users wait for at least one cycle time of the period error before taking a picture.
3. To re-use the PEC data on a mount which supports SPEC, users should park the telescope before shutting off power (refer to Section 11.1). This limitation does not apply to the mounts which support PPEC.

11.6 Calibrating Auto-Home Offset

Some Sky-Watcher's equatorial mounts (ex. the EQ 8 mount) have the Auto-Home function which can set the mount to a standard home position after turning on the power.

The offset of the home position can be calibrated and compensated with the following procedures:

1. Polar-align the equatorial mount accurately.
2. Turn off the power, and then turn it on again, and then initialize the hand control.
3. When SynScan hand control asks "Auto-Home?", press the "1" key to execute the auto-home process.
4. Finish the subsequent initialization steps.
5. At the end of the initialization, choose 1-star alignment to align the mount.
6. At the end of the 1-star alignment, the hand control will ask "Update H.P.O? 1)No 2) Yes" (The "H.P.O." means Home Position Offset).
 - Press "1" key to keep the original Home Position Offset.
 - Press "2" to use the results obtained from the 1-star alignment to calibrate the home position offset.

11.7 Setting Cone Error and Non-Perpendicular Error

- Cone error (CE) occurs when a telescope's optical axis is not perpendicular to the equatorial mount's declination axis (or the altitude-azimuth mount's altitude axis).
- Non-perpendicular error (NPE) occurs when the mount's two axes are not orthogonal.

Without proper compensation, both of the above errors could lead to inaccurate pointing when the telescope system tries to locate a celestial object automatically. The value of these errors can be set on the hand control for compensation.

1. Access menu "Setup\Alignment\Cone Error" to display and modify the cone error.
 - The cone error compensation will be applied to 1-Star, 2-Star and Brightest-Star alignments.
 - In a 3-Star alignment, SynScan hand control measures the current cone error and overwrites the old cone error value.
 - Cone error is quite common in most telescope systems, but an alt-az mount is less sensitive to cone error. Generally, users can set the cone error to 0 on a alt-az mount.
2. Access menu "Setup\Alignment\NP Error" to display and modify non-perpendicular error.

- Generally, NPE is very small and can be ignored (Set to 0) in most cases unless superior pointing accuracy is required.

Note: If the value of CE or NPE entered in the hand control is not 0, the hand control will give a reminding message “CAUTION: Prev. NPE, CE applied.” at the end of the alignment routine. User should make sure that the stored CE and NPE parameters are correct for the current system setup; otherwise, these value should be set to 0.

11.8 Astronomical Time-Lapse Photography

The SynScan hand control can coordinate a Skywatcher telescope mount (equatorial or alt-az mount) and a DSLR camera to take series of long exposure photo of the night sky. These series of photos can be used to make time-lapse videos. The SynScan hand control accomplishes this task through the following sequence:

1. At an initial position, turn on sidereal tracking of the mount and release the shutter of the camera at the same time.
2. Keep mount tracking and camera shutter opened until the preset exposure time reaches.
3. Close the camera shutter and return the mount to the initial position.
4. Repeat step 1 to 3 until preset numbers of photos is taken.

Both the “SNAP” port on a Sky-watcher mount or the multi-purpose port of the SynScan hand control can be used to control the camera with proper cables available from Sky-watcher product dealers.

Operation Details:

1. Connect the camera’s shutter control port to the mount(or SynScan hand control) with proper cables.
2. Point the camera to the desired orientation.
3. Access the menu “UTILITY\Astro Time-Lapse \ Configuration\Exposure Time” to set the exposure time of the camera.
4. Access the menu “UTILITY\Astro Time-Lapse \ Configuration\Repeat Times” to set the number of photos which will be taken.
5. Access the menu “UTILITY\Astro Time-Lapse \ Configuration\Shoot” to start taking photos.
6. The LCD will display remaining photos and remaining time of the ongoing exposure.
7. Press ESC key to pause or cancel the shooting.

11.9 Solar Track Mode

The Solar Tracking Mode allows users to track the Sun as it moves across the sky.

1. Before turning on this mode, make sure that:
 - The alt-azimuth mount is level using the bubble level (no alignment is necessary)
 - The equatorial mount is polar-aligned
 - The correct date, time, longitude, and latitude have been inputted into the SynScan hand control
2. Access the “UTILITY” menu, find and select “Solar Track Mode”, then press ENTER.
3. Point the telescope at the Sun and use the arrow buttons to centre the Sun in the field of view of the telescope.

PART XII : USING A SYNSCAN GPS MODULE

Users may purchase a SynScan GPS module to acquire accurate local geographical coordinates and local time; it will help improve the accuracy of the mount alignment and the polar alignment.

12.1 Initialization of the Hand control with a SynScan GPS Module

The initialization process of the SynScan hand control with a SynScan GPS plug-in differs from a regular one.

1. Plug the SynScan GPS module into the multi-purpose port (the 6 pins RJ-12 port) located at the bottom center of the SynScan hand control. Place the GPS module on a horizontal surface and turn on the power of the mount.
2. If the SynScan hand control detects the connection of a GPS module, it will ask for the local time zone:
 - Use the left and right direction keys to move the cursor on the screen.
 - Use the scroll keys to change or switch the sign for the time zone. Use “+” for the time zones in the Eastern Hemisphere, use “-” for the time zones in the Western Hemisphere.
 - Use the numeric keys to fill the time zone value in $\pm hh:mm$ format.
 - Press **ENTER** to confirm and proceed.
3. The hand control will then ask the user whether to use the Daylight Saving Time. Use the scroll keys to select between “YES” and “NO” and press the **ENTER** key to confirm and proceed.
4. The screen will now display “GPS fixing...”. It means that the GPS module is trying to fix to the GPS satellites.
5. After the SynScan GPS module fixes to the satellites, the SynScan hand control will continue the initialization process.

12.2 Checking GPS Information

1. Plug the SynScan GPS module into the multi-purpose port (the 6 pins RJ-12 port) located at the bottom center of the SynScan hand control. Place the GPS module on a horizontal surface.
2. Access the menu “UTILITY FUNCTION \ GPS” in the menu and press the **ENTER** key.
3. The screen will now display “GPS fixing...”. It means that the GPS module is trying to fix to the GPS satellites.
4. After the SynScan GPS module fixes to the satellites, the screen will display “GPS Information:”. Use scroll keys to browse through the following information. Press the **ESC** key to exit.
 - **M.O.V:** Local magnetic declination
 - **Lat:** Local latitude
 - **Lo:** Local longitude
 - **Date:** Local date
 - **UT:** Greenwich Mean Time
 - **LT:** Local time
 - **TimeZone:** Local time zone
 - **LST:** Local sidereal time
 - **Elevation:** Local elevation
 - **Quality:** Quality of GPS fixing
 - **Number of SV:** Number of GPS satellites in view
 - **SV(fix) Nr:** Number of GPS satellites fixed

APPENDIX I : ELIMINATING CONE ERROR

If the telescope's optical axis is not perpendicular to the declination axis of the equatorial mount, then there is cone error in the telescope-mount system. The cone error might lower the accuracy of locating an object or the accuracy of the Polar-Alignment process.

Testing for Cone Error

1. Perform a precise polar alignment on the equatorial mount, and then perform a two-star alignment. The alignment stars should be located on the same side of the meridian and their declination deviation should be within 10 to 30 degrees.
2. Use the SynScan hand control to locate a few objects on the same side of the meridian as the alignment stars. The pointing accuracy should be quite good.
3. Use the SynScan hand control to locate a few objects on the other side of the meridian as the alignment stars.
 - If the pointing accuracy is still good, then the mount system has small or no cone error.
 - If the pointing accuracy becomes poor, and most of the error is on the R.A. axis (that is, the object can be brought back to the center of the eyepiece using the left or right direction keys), it means that the cone error of the telescope-mount system is quite large.

Eliminating Cone Error

1. Rotate the R.A. axis to level the counterweight shaft.
2. Center the Polaris in the polar scope.
3. Point the telescope to the Polaris, rotate the Dec. axis to bring the Polaris as close as possible to the center of the finder scope or the telescope's eyepiece.
4. Fine tune the azimuth and latitude of the mount to center the Polaris in the telescope's eyepiece.
5. Rotate the R.A. axis 180 degrees. (the counterweight shaft should be leveled and pointed to the other side of the mount). If the Polaris can be put to the center of the eyepiece by rotating the Dec. axis only, it means the cone error is small and no further adjustment is needed; otherwise, continue to the following steps.
6. Rotate the Dec. axis to bring the Polaris as close as possible to the center of the finder scope or the telescope's eyepiece.
7. Slightly push the eyepiece end of the telescope in a HORIZONTAL direction while looking into the eyepiece, find the direction which will bring the Polaris closer to the center of the eyepiece. In this way, a user can determine the direction in which he/she should re-position the telescope on the saddle or the mounting bar to reduce the cone error.
8. Use a shim (or other method) on the proper side of the saddle or the mounting bar to raise the telescope. Look into the eyepiece while applying the shim. Reduce the deviation between the Polaris and center of the eyepiece to HALF.
9. Repeat Steps 4 and 5 to check whether the cone error is acceptable, repeat Steps 6, 7 and 8 if necessary.

Tips:

- It is recommended to use a reticle eyepiece and align the track of the Dec. movement with one of the lines of the reticle.
- This adjustment can be done in day time by using a distant point object to replace the Polaris.

APPENDIX II : SYNSCAN SELF-DIAGNOSIS

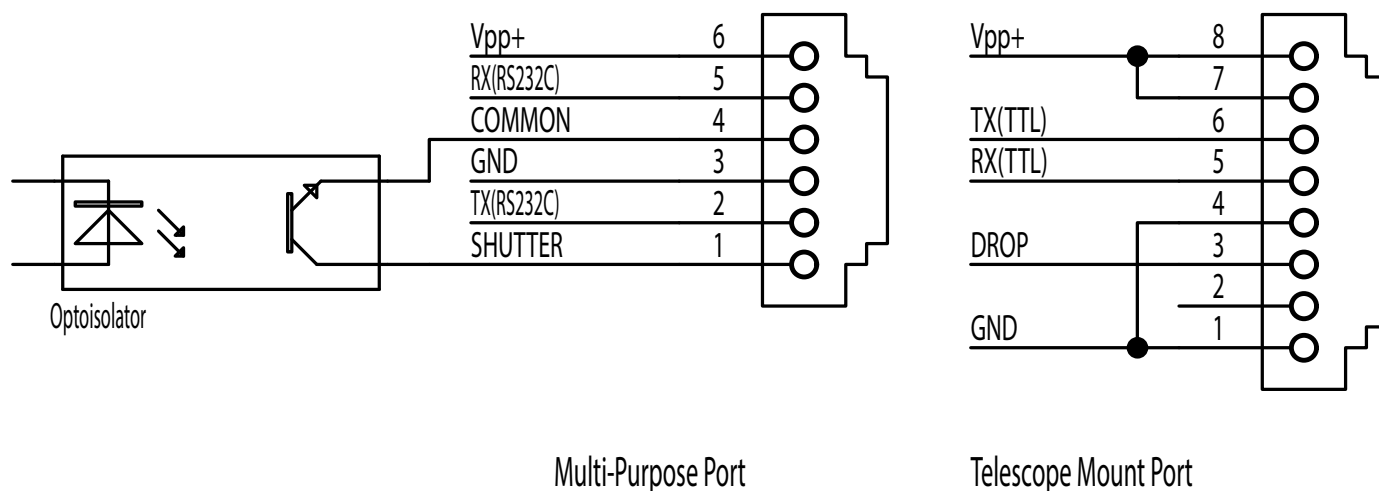
The SynScan hand control contains a built-in self-diagnosis program. To run a full test, users should prepare a “Loop-Test Plug” by referring to Appendix 3 and the following instructions:

- Short the pin-2 (TX_RS232C) and pin-5 (RX_RS232C) of a RJ-12 plug.

Here are the diagnosis steps:

1. Insert the “Loop-Test Plug” to the RJ-12 port of the SynScan hand control.
2. Press “2” and “5” simultaneously and power on the hand control.
3. The hand control will display “SynScan B.I.T.” for a short time.
4. The LCD will display “LCD CONTRAST x-yy”, press ENTER button to continue.
5. The LCD screen will become fully black and then fully clear for a while for the purpose of checking the LCD display.
6. If there is any problem for the RS-232C function on multi-purpose port (the RJ-12 outlet) or no Loop-Test Plug connected to the multi-purpose port, the screen will display “COM1 ERROR”. Press ENTER to continue.
7. Ignore “COM2 ERROR” message and press ENTER to continue.
8. If everything is fine, the testing will go to Step 9; Otherwise, the SynScan hand control will show “EEPROM ERROR” or “Flash ERROR”. Press ENTER to continue in such case.
9. Check keypad and other features:
 - The screen will display “Key=” in the top row. If a key is pressed, the name of the key will be displayed.
 - The power voltage will be displayed on the bottom row of the screen.

APPENDIX III : SCHEMATIC OF THE PORTS



Multi-Purpose Port

Telescope Mount Port

APPENDIX IV : SPECIFICATIONS

Supported Mount	EQ Mount and Alt-Az Mount
Object Catalog	Messier, NGC, IC, SAO, Caldwell, Double Star, Variable Star, Named Star, Planets
Pointing Accuracy	Up to 5 arc-minutes RMS
Tracking Rate	Sidereal Rate, Solar Rate, Lunar Rate
PEC	SPEC or PPEC
Database	42000+ Objects
LCD	18 Characters X 2 Lines Adjustable Contrast and Backlight
Keypad	Rubber, Adjustable backlight
GPS	SynScan GPS Modular (Optional)
PC Connection	RS-232C, 9600bps, No parity check, 8 data bits, 1 start bit, 1 stop bit
Power output on Multi-purpose port	Power Supply Voltage - 0.7V Maximum 100mA current output

SynScan™

Copyright © 2016 Sky-Watcher
All rights reserved.
www.skywatcher.com



NEVER USE YOUR TELESCOPE TO LOOK DIRECTLY AT THE SUN. PERMANENT EYE DAMAGE WILL RESULT. USE A PROPER SOLAR FILTER FIRMLY MOUNTED ON THE FRONT OF THE TELESCOPE FOR VIEWING THE SUN. WHEN OBSERVING THE SUN, PLACE A DUST CAP OVER YOUR FINDERSCOPE OR REMOVE IT TO PROTECT YOU FROM ACCIDENTAL EXPOSURE. NEVER USE AN EYEPIECE-TYPE SOLAR FILTER AND NEVER USE YOUR TELESCOPE TO PROJECT SUNLIGHT ONTO ANOTHER SURFACE, THE INTERNAL HEAT BUILD-UP WILL DAMAGE THE TELESCOPE OPTICAL ELEMENTS.