

# FRA400

## User's Manual

### WARNING!!

NEVER VIEW THE SUN THROUGH THE TELESCOPE. THIS WILL CAUSE INSTANT BLINDNESS TO THE EYE. PLEASE PURCHASE A SPECIAL SOLAR OBSERVATION FILTER FOR THE SAFEST OBSERVATION GUIDANCE. THROUGH THE FINDERSCOPE WILL ALSO CAUSE SERIOUS DAMAGE TO THE EYE. PLEASE KEEP CHILDREN AWAY FROM THE SCOPE DURING THE DAY.

[www.askarlens.com](http://www.askarlens.com)

English

### Instructions for use

Welcome to use brand new ASKAR FRA series! The FRA, which stands for "FLATFIELD REFRACTOR ASTROGRAPH", is a refractor astrograph features built-in flat field correction. Meanwhile FRA can also meet the needs of observation, and become one of the few versatile telescopes with premium optics on the market.

In accordance with the easy conversion of lens parameters, our first FRA series product is the f/5.6 quintuplet astrograph with 400mm focal length and 72mm aperture. Two ED (Extra-low Dispersion) glass elements are also included to effectively suppress chromatic aberration. FRA400 features a 44mm Full Frame image circle.

Adopts modern telescope optical tube design, features retractable dew shield, 3" large high-precision rack-and-pinion focuser with 360° rotator. Features M68x1 thread, 2" adapter ring and 1.25" eyepiece adapter.

The focuser also features high precision micro-adjustment for observation and photography.

It's excellent in controlling and possibly avoiding chromatic aberrations, the image quality is also optimized to satisfy the customers of requirement.

It's worth mentioning that FRA 400/5.6 has a pair of multifunctional attachment tube rings owns the patent, it's not all style and no substance though, the FRA shows well-conceived design and has a practical three-side mounting platform, which is convenient for attaching various accessories for photography.

Askar FRA400/5.6 APO Astrograph has a backfocus of 140mm, no need to measuring the distance, when attach your photographic equipment, you will see an in-focus image.

Being stocky and portable, ASKAR FRA400/5.6 can combine with various accessories, also simple to use, is an effective and very versatile photo/visual companion.

A focal ratio of F5.6 is relatively 'fast' for telescope or astrophotography, however, in order to meet the needs of pro-level astronomers, we specially designed a special ultra-short focal reducer FRA72RD, combine use with FRA400/5.6, you can achieve a optically faster F3.9 focal ratio to reduce the exposure time, full frame is also supported, which is very rare type of refractor telescopes.

FRA400/5.6 is designed to "astrograph should meet satisfactory observation experience to enjoy capturing extended deep-sky objects, offering simpler configuration and better optical performance". It would provide a significantly better user experience.

### Specification:

**Aperture:** 72mm

**Focal length:** 400mm

**Focal ratio:** F5.6

**Objective type:** Quintuplet dual ED air-spaced APO

**Overall length:** 317mm

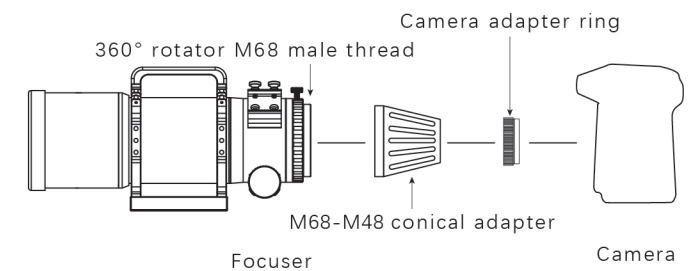
**Net weight:** 2.56kg

**Standard package weight:** 2.88kg

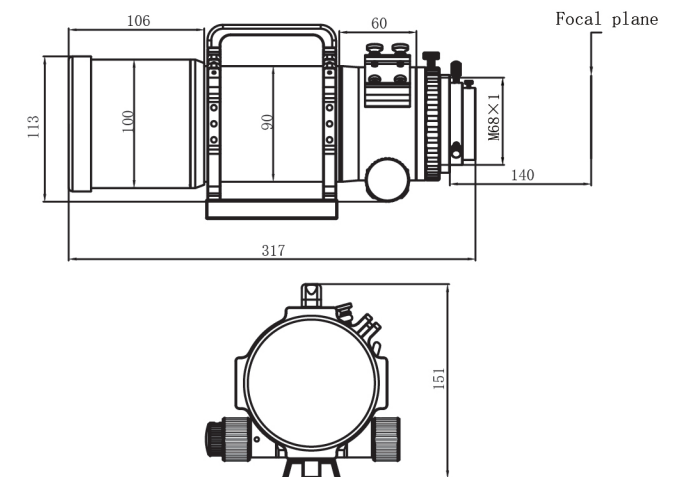
**Back-end adapter:** M68×1 male thread, 2" adapter/1.25" adapter

**Accessories:** a pair of tube rings, a handle, a dovetail plate, a M68-M48 conical adapter, an inspection list, a manual

### Connection Diagram of Camera



### Product Size Diagram



### Product Parts Diagram

