

Askar

FMA180 pro

User's Manual

WARNING!!

DO NOT LOOK AT SUN THROUGH TELESCOPE.
IT WILL CAUSE IRREVERSIBLE DAMAGE TO YOUR EYE.

www.sharpstar-optics.com

English

Instructions for use

To provide customers with more options, Askar has launched the new FMA180 pro.

FMA180pro is similar to the FMA180 in optical structure. The objective lens features a sextuplet air-spaced APO design and includes two pieces of ED glass, providing excellent correction of chromatic aberration, which lays the foundation for high-quality astrophotography and observation. It has an aperture of 40mm, a focal ratio of f/4.5, and a focal length of 180mm.

In addition to visual observations, the FMA180 pro is specially optimized for astrophotography. Compared to FMA180, FMA180 pro adds a finder base and a 360° rotator. What's more, the focuser upgraded to a new integrated internal focus system which promotes its stability and ensures its performance in use as a delicate, high-quality, and compact astrograph.

The FMA180 pro comes with an M48 adapter at the rear end, and the back focus is the standard 55mm. The multifunctional base can not only be used for astrophotography but also be mounted onto other telescopes' finder bases as a finder scope after the Vixen dovetail plate is detached.

In a word, FMA180 pro is a compact astrograph for astrophotography with more integrated functions and a more dedicated design.

Specification

Aperture: 40mm

Focal length: 180mm

Focal ratio: f4.5

Objective type: Sextuplet air-spaced APO(including two ED glasses)

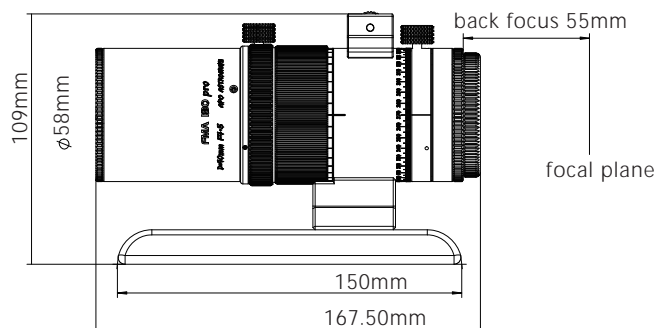
Overall length: 167.5mm

Weight: 0.8kg

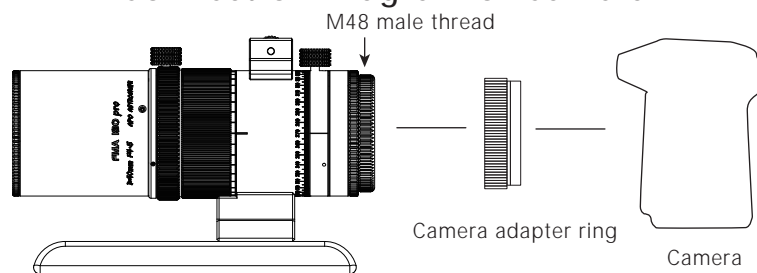
Rear-end thread type: M48x0.75 (built-in 2" filter thread)

Package items: a FMA180pro,a manual

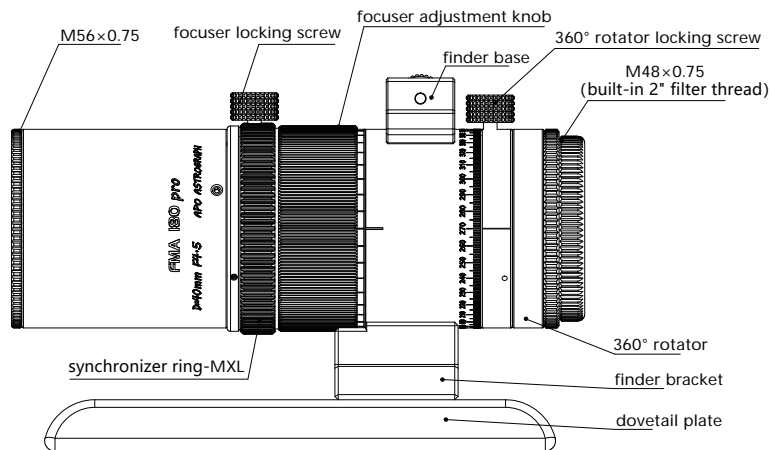
Product Size Diagram



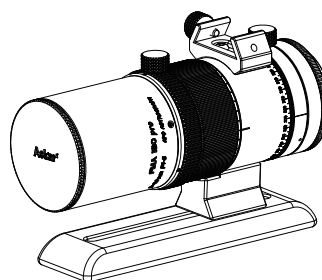
Connection Diagram of Camera



Product Parts Diagram



Items in FMA180pro Packaging



an FMA180 pro OTA



a manual