

## 185APO 1.0x 全画幅平场镜 185APO 1.0x Full Frame Flattener

- 使用说明书
- User's Manual

请勿通过望远镜直接观察太阳，这样做可能导致瞬间失明，请购买专用太阳观测滤镜或滤膜，来获得最安全的观测指导。

**DO NOT LOOK AT SUN THROUGH TELESCOPE.  
IT WILL CAUSE IRREVERSIBLE DAMAGE TO YOUR EYE.**

www.sharpstar-optics.com

使用产品前请仔细阅读本使用说明书。

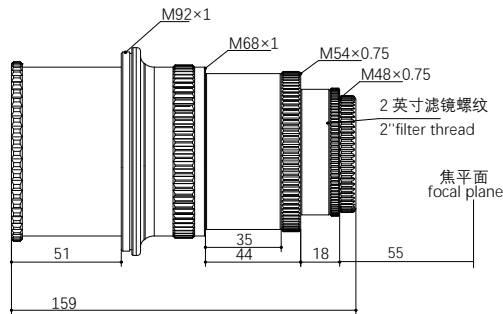
Instructions for use

1.0x平场镜不会改变望远镜的本身的焦比，使用后Askar 185APO 还是F7焦比，平场镜可以矫正场曲和彗差，使像场边缘更加平坦，周边星点更加细密圆润。

1.0x平场镜采用三片式设计，支持全画幅。整体重量为0.74kg。后截距从M48螺纹端面算起为标准55mm，前端螺纹接口为M92\*1，末端配有M68\*1、M54\*0.75以及M48\*0.75三种尺寸接环，接驳方便。同时内置M48\*0.75 2英寸滤镜螺纹，可直接安装滤镜使用。整体CNC加工，前后螺纹金属端盖，防止落灰。

The 1.0x flattener does not change the telescope's focal ratio itself. After connecting with the Askar 185APO, it still maintained a focal ratio of 7. The flattener corrects field curvature and coma, resulting in flatter field edges and finer star points.

The 1.0x flattener adopts a triplet design and supports a 44mm full-frame image circle. The overall weight is 0.74kg. The back focus from the M48 thread is a standard 55mm. The front thread is M84\*1. At the camera end, it is equipped with M68\*1, M54\*0.75, and M48\*0.75 three sizes of adapters, which are convenient for connection. At the same time, it has a built-in M48\*0.75 2-inch filter thread, which can be directly installed and used. The overall CNC machined, both end threaded metal caps prevent ash when not in use.



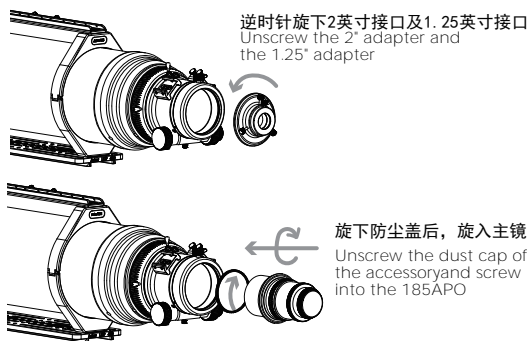
### 参数

185APO搭配后 焦距: 1295mm  
185APO搭配后 焦比: f/7  
镜片数量: 三片式  
后截距: 55mm (从M48端面开始算起)  
重量: 0.74kg  
末端接口: M68×1  
M54×0.75  
M54×0.75-M48×0.75 (内置M48×0.75滤镜螺纹)

### Parameter

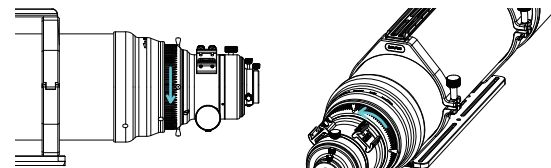
(After attaching) 185APO Focal length: 1295mm  
(After attaching) 185APO Focal ratio: f/7  
Lens Number: Triplet design  
Back Focus: 55mm (from the base of M48 male thread)  
Weight: 0.74kg  
Rear-end thread type: M68×1  
M54×0.75  
M54×0.75-M48×0.75(M48×0.75 filter thread inside)

### 安装说明 Installation instruction

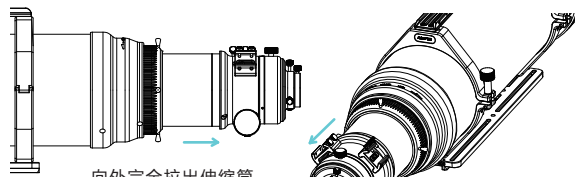


### ! 注意 Attention

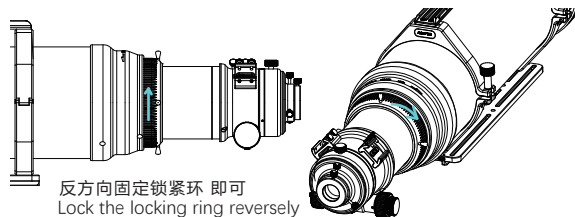
当使用2英寸顶镜、0.8x减焦镜、1.0x平场镜时，请先按照如图所示  
When used with 2" diagonal, 0.8x reducer or 1x flattener, please refer to the figure.



按照箭头方向转动一圈锁紧环  
Rotate the locking ring in the direction of the arrow



向外完全拉出伸缩筒  
Pull the retractable part out completely



反方向固定锁紧环 即可  
Lock the locking ring reversely



Official site Facebook YouTube Ins Twitter



Official site Facebook YouTube Ins Twitter