

# Askar

## 185APO 0.8x 全画幅减焦镜 185APO 0.8x Full Frame Reducer

- 使用说明书
- User's Manual

请勿通过望远镜直接观察太阳，这样做可能导致瞬间失明，  
请购买专用太阳观测滤镜或滤膜，来获得最安全的观测指导。

**DO NOT LOOK AT SUN THROUGH TELESCOPE.  
IT WILL CAUSE IRREVERSIBLE DAMAGE TO YOUR EYE.**

www.sharpstar-optics.com

使用产品前请仔细阅读本使用说明书。

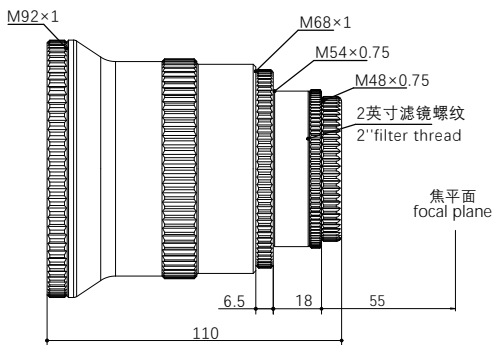
### Instructions for use

0.8x的减焦镜，可以使Askar 185APO降至F5.6焦比。这是一款常规的标准减焦镜，当然也有平场修正的功能。更短的焦比，可以使望远镜获得更宽的视野，拥有更快的曝光时间，适合捕捉大面积的星云，星团，以及更暗淡，快速移动的天体。

0.8x减焦镜采用四片式设计，支持全画幅。整体重量为0.95kg。后截距从M48螺纹端面算起为标准55mm，前端螺纹接口为M92\*1，末端配有M68\*1、M54\*0.75以及M48\*0.75三种尺寸接环，接驳方便。同时内置M48\*0.75 2英寸滤镜螺纹，可直接安装滤镜使用。整体CNC加工，前后螺纹金属端盖，可在不使用时防止落灰。

The 0.8x reducer can bring Askar 185APO's focal ratio down to F5.6. This is a standard reducer with field flattening capabilities as well. A shorter focal ratio allows the OTA to have a wider field of view and faster exposure times, making it suitable for capturing large areas of nebulae, star clusters, and faint, fast-moving celestial objects.

The 0.8x reducer adopts a quadruplet design and supports a 44mm full-frame image circle. The overall weight is 0.95kg. The back focus from the M48 thread is a standard 55mm. The front thread is M92\*1. At the camera end, it is equipped with M68\*1, M54\*0.75, and M48\*0.75 three sizes of adapters, which are convenient for connection. At the same time, it has a built-in M48\*0.75 2-inch filter thread, which can be directly installed and used. The overall CNC machined, both end threaded metal caps prevent ash when not in use.



### 参数

185APO搭配后 焦距: 1036mm

185APO搭配后 焦比: f/5.6

镜片数量: 四片式

后截距: 55mm (从M48端面开始算起)

重量: 0.95kg

末端接口: M68x1

M54x0.75

M54x0.75-M48x0.75 (内置M48x0.75滤镜螺纹)

### Parameters

(After attaching) 185APO Focal length: 1036mm

(After attaching) 185APO Focal ratio: f/5.6

Lens Number: Quadruplet design

Back Focus: 55mm (from the base of M48 male thread)

Weight: 0.95kg

Rear-end thread type: M68x1

M54x0.75

M54x0.75-M48x0.75 (M48x0.75 filter thread inside)

### 安装说明 Installation instruction



### ⚠ 注意 Attention

当使用2英寸天顶镜、0.8x减焦镜、1.0x平场镜时，请先按照如图所示  
When used with 2" diagonal, 0.8x reducer or 1x flattener,  
please refer to the figure.

