

# Askar

## 140APO 1.0x 全画幅平场镜 140APO 1.0x Full Frame Flattener

- 使用说明书
- User's Manual

请勿通过望远镜直接观察太阳，这样做可能导致瞬间失明，请购买专用太阳观测滤镜或滤膜，来获得最安全的观测指导。

**DO NOT LOOK AT SUN THROUGH TELESCOPE.  
IT WILL CAUSE IRREVERSIBLE DAMAGE TO YOUR EYE.**

[www.sharpstar-optics.com](http://www.sharpstar-optics.com)

使用产品前请仔细阅读本使用说明书。

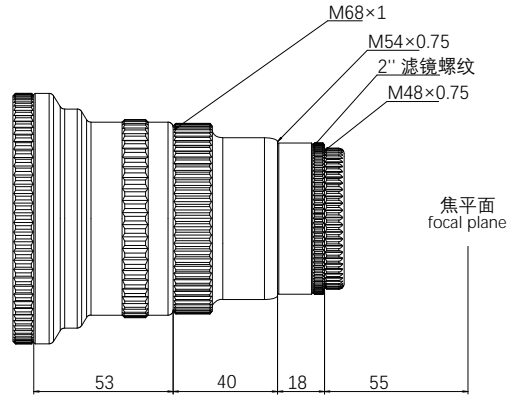
### Instructions for use

140APO 1.0x平场镜不会改变望远镜的本身的焦距，使用后Askar 140APO还是F7焦比，平场镜可以矫正场曲和彗差，使像场边缘更加平坦，周边星点更加细密圆润。

平场镜采用三片式镜片设计，支持全画幅。整体重量为0.79kg。后截距从M48螺纹端面算起为标准55mm，前端螺纹接口为M92\*1，末端配有M68\*1、M54\*0.75以及M48\*0.75三种尺寸接环，接驳方便。同时内置M48\*0.75 2英寸滤镜螺纹，可直接安装滤镜使用。整体CNC加工，前后螺纹金属端盖，防止落灰。

The 1.0x flattener does not change the telescope's focal ratio itself. After connecting with the Askar 140APO, it still maintained a focal ratio of 7. The flattener corrects field curvature and coma, resulting in flatter field edges and finer star points.

The 1.0x flattener adopts a triplet design and supports a 44mm full-frame image circle. The overall weight is 0.79kg. The back focus from the M48 thread is a standard 55mm. The front thread is M92\*1. At the camera end, it is equipped with M68\*1, M54\*0.75 and M48\*0.75 three sizes of adapters, which are convenient for connection. At the same time, it has a built-in M48\*0.75 2-inch filter thread, which can be directly installed and used. The overall CNC machined, both end threaded metal caps prevent ash when not in use.



### 参数

140APO 搭配后 焦距: 980mm

140APO 搭配后 焦比: f/7

镜片数量: 三片式

后截距: 55mm (从 M48 端面开始算起)

重量: 0.79kg

末端接口: M68×1

M54×0.75

M54×0.75-M48×0.75 (内置 M48×0.75 滤镜螺纹)

### Parameters

(After attaching) 140APO Focal length: 980mm

(After attaching) 140APO Focal ratio: f/7

Lens Number: Triplet design

Back Focus: 55mm (from the base of M48 male thread)

Weight: 0.79kg

Rear-end thread type: M68×1

M54×0.75

M54×0.75-M48×0.75(M48×0.75 filter thread inside)

### 安装说明 Installation instruction

