

Askar

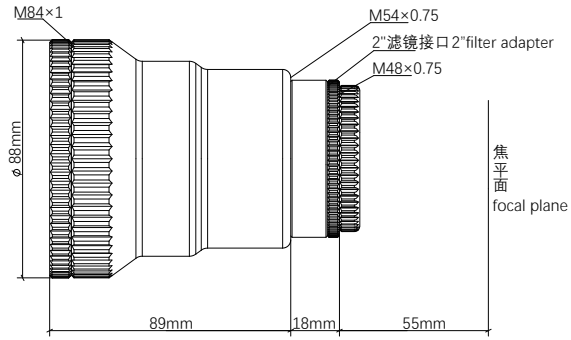
120APO 1.0x 全画幅平场镜 120APO 1.0x Full Frame Flattener

■ 使用说明书
■ User's Manual

请勿通过望远镜直接观察太阳，这样做可能导致瞬间失明，
请购买专用太阳观测滤镜或滤膜，来获得最安全的观测指导。

**DO NOT LOOK AT SUN THROUGH TELESCOPE.
IT WILL CAUSE IRREVERSIBLE DAMAGE TO YOUR EYE.**

www.sharppstar-optics.com



参数

120APO搭配后 焦距: 840mm

120APO搭配后 焦比: f/7

镜片数量: 三片式

后截距: 55mm (从M48端面开始算起)

重量: 0.76kg

末端接口: M54×0.75

M54×0.75-M48×0.75 (内置M48×0.75滤镜螺纹)

使用产品前请仔细阅读本使用说明书。

Instructions for use

1.0x平场镜不会改变望远镜的本身的焦比，使用后Askar 120APO还是F7焦比，平场镜可以矫正场曲和彗差，使相场边缘更加平坦，周边星点更加细密圆润。

1.0x平场镜采用三片式设计，支持全画幅。整体重量为0.76kg，后截距从M48螺纹端面算起为标准55mm，前端螺纹接口为M84*1，末端配有M54*0.75以及M48*0.75两种尺寸接环，接驳方便。同时内置M48*0.75 2英寸滤镜螺纹，可直接安装滤镜使用。整体CNC加工，前后螺纹金属端盖，防止落灰。

The 1.0x flattener does not change the telescope's focal ratio itself. After connecting with the Askar 120APO, it still maintained a focal ratio of 7. The flattener corrects field curvature and coma, resulting in flatter field edges and finer star points.

The 1.0x flattener adopts a triplet design and supports a 44mm full-frame image circle. The overall weight is 0.76kg. The back focus from the M48 thread is a standard 55mm. The front thread is M84*1. At the camera end, it is equipped with M54*0.75 and M48*0.75 two sizes of adapters, which are convenient for connection. At the same time, it has a built-in M48*0.75 2-inch filter thread, which can be directly installed and used. The overall CNC machined, both end threaded metal caps prevent ash when not in use.

Parameters

(After attaching) 120APO Focal length: 840mm

(After attaching) 120APO Focal ratio: f/7

Lens Number: Triplet design

Back Focus: 55mm (from the base of M48 male thread)

Weight: 0.76kg

Rear-end thread type: M54×0.75

M54×0.75-M48×0.75(M48×0.75 filter thread inside)

安装说明 Installation instruction

