

# RL-MPS Mechanical Physician Scale

Lb and Kg

## Specifications

### Capacity:

440 lb x 4 oz (200 kg x 100 g)

### Platform Dimensions:

(W x L x H) 10.75 in x 14.75 in x 4.125 in

### Height Rod:

24-84 in (60-210 cm)

### Height Division:

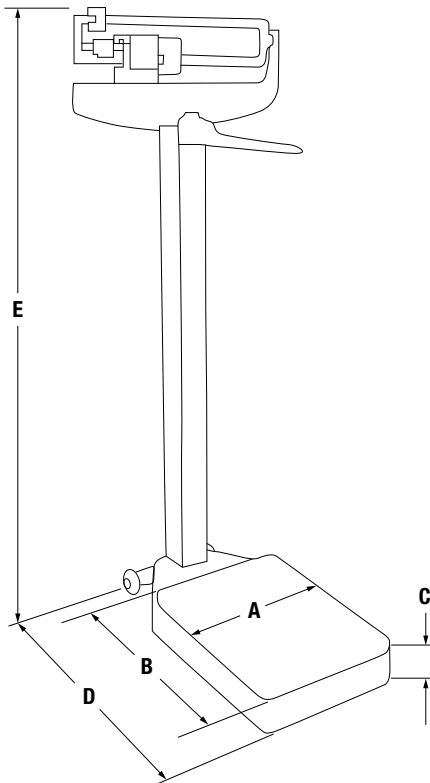
0.125 in (0.1 cm)

### Warranty:

Two-year limited warranty



Model RL-MPS



## Dimensions

	Inches	Centimeters
A	10.75	27.3
B	14.75	37.5
C	4.125	10.5
D	22.25	56.5
E	58.5	148.6

## Standard Features

- Sturdy, enameled steel body
- Painted beam
- Rugged scale understructure
- Durable wheels for easy transport
- Easy operation with two sliding weights
- Removable slip-resistant scale base cover
- Aluminum height rod measures from 24 to 84 in (60 to 210 cm)

## Part Number/Price

Part #	Model #	Capacity	Price
102613	RL-MPS	440 lb x 4 oz (200 kg x 100 g)	Consult

## Shipping Weight

Part #	Model #	L (in)	W (in)	H (in)	Package Wgt. (lb)	Dim Wgt. (lb)	Shipping Wgt. (lb)
102613	RL-MPS	60	21	7	42	64	64