

# 550-10-1 Digital Chair Scale

17 Inch Wide Seat

## Specifications

### Capacity:

660 lb x 0.2 lb (300 kg x 0.1 kg)

### Power:

9 VDC provided by six AA alkaline batteries (included) or 120 V/230 VAC adaptor (optional)

### Display:

5-digit LCD display, 0.75 in (1.9 mm) digit height

### Battery Type:

Six AA alkaline (included)

### Battery Use:

25 hours continuous use with batteries  
Automatic power-off can be configured

### Operating Temperature:

50° F to 104° F (14° C to 40° C)

### Approvals:

c-Met, E113986

### Warranty:

Two-year limited warranty



## Standard Features

- Enameled tubular steel frame
- Four heavy-duty locking caster wheels
- Swing-up arms
- Flip-up footrest
- Push-button LCD display
- BMI (body mass index) function
- Hold function
- Units of measure: lb only, kg only, lb/kg
- Motiontrap™ movement compensation technology
- EHR capable

## Part Number/Price

Part #	Model #	Capacity	Price
119114	550-10-1	660 lb x 0.2 lb (300 kg x 0.1 kg) with USB	Consult
168349	550-10-1BT	660 lb x 0.2 lb (300 kg x 0.1 kg) with USB and Bluetooth® 2.0	Consult
194740	550-10-1BLE	660 lb x 0.2 lb (300 kg x 0.1 kg) with Bluetooth® BLE 4.0	Consult

## Shipping Weight

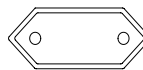
Part #	Model #	L (in)	W (in)	H (in)	Package Wgt. (lb)	Dim Wgt. (lb)	Shipping Wgt. (lb)
119114	550-10-1	29	27	30	56	169	169
168349	550-10-1BT	29	27	29	54	164	164
194740	550-10-1BLE	29	27	29	54	164	164

## Options/Accessories

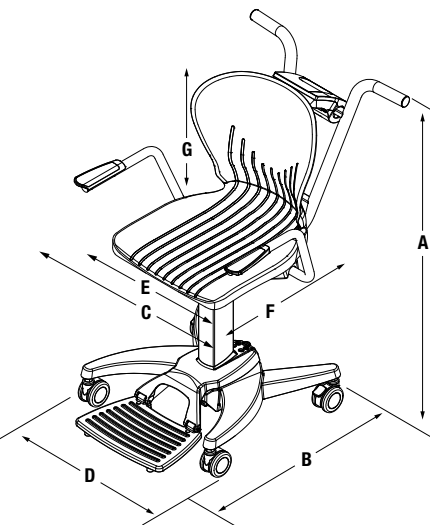
Part #	Description	Price
115655 †	9 VDC adaptor, 120 V/230 V auto switching c-MET medical grade power supply	Consult
133077 †	9 VDC adaptor, 120 V/230V auto switching	Consult
102508 ††	9 VDC adaptor, 230 V	Consult
81076	Epson TM-U220 tape printer	Consult
186830	Printer cable, 25-pin D-Sub male to RJ-45, 6 ft	Consult



† NEMA 1-15 Plug



†† CEE 7/16 Plug



## Dimensions

	Inches	Centimeters
A	37.4	95
B	33.4	85
C	25.2	64
D	20.5	52
E	17	43.2
F	16	40.6
G	17	43.2