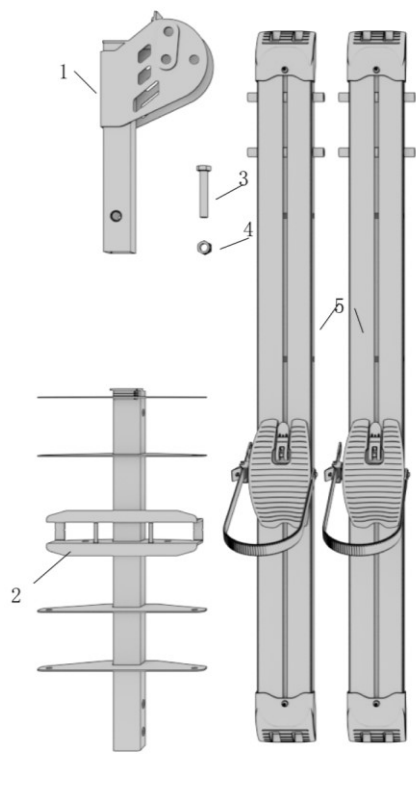


# MANUAL

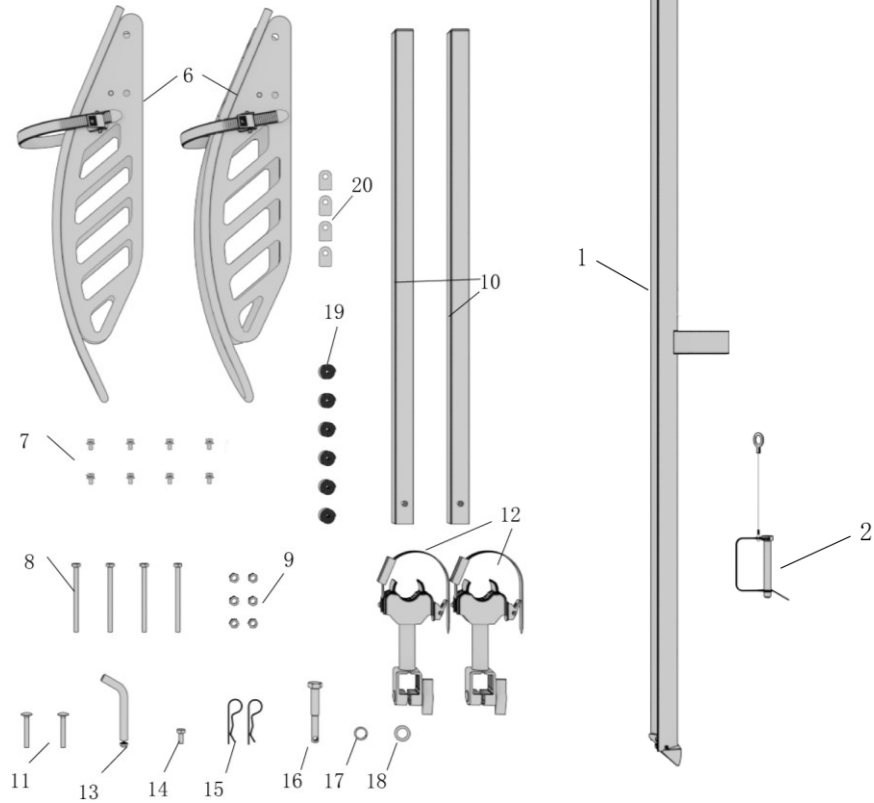
**CyberRack E2 Hitch Bike Rack**

**CRAVOT**

## Parts for bike rack



## Parts for ramp



## Parts List for bike rack

Part#	Description	Qty
1	Rotating Group	1
2	Bottom Fixing Bracket	1
3	M16*85 Outer Hexagon Bolt	1
4	M16 Lock Nut	1
5	Beam Assembly	2
6	Front Wheel Holder	2
7	M10*25 Outer Hex Bolt Kit	8
8	M10*120 Outer Hexagon Bolt	4
9	M10 Lock Nut	6
10	Middle Support Tube	2
11	M10*65 Bolt	2
12	Connecting Block	2
13	φ16 Ben Pin	1
14	M10 Short Hexagon Bolts	1
15	φ3.8 Pin	2
16	M16 Shockproof Bolt	1
17	φ16 Spring Washer	1
18	φ16 Flat Washer	1
19	Velcro	6

---

20	Semicircle Plate	4
----	------------------	---

---

## Parts List for ramp

Part#	Description	Qty
1	Ramp	1
2	Quick-release pin	1

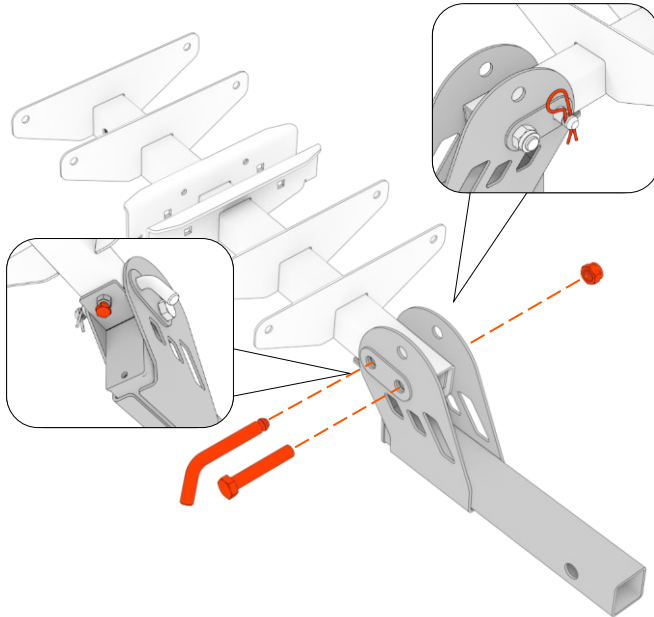
---

## Required Tools (Not included)

Name	Imperial	Metric
Monkey Wrench	12"	300mm
Open Wrench	7/16"	11mm
Open Wrench	11/16"	17mm

---

## STEP1

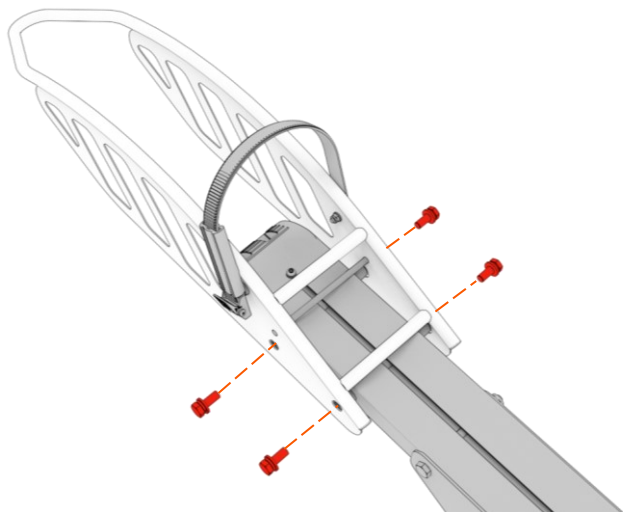


the gap between the **Bottom Fixing Bracket (2)** and the **Rotating Group(1)**.

**Note:** Do not overtighten the bolts to prevent the **Bottom Fixing Bracket (2)** and the **Rotating Group (1)** components from rotating easily.

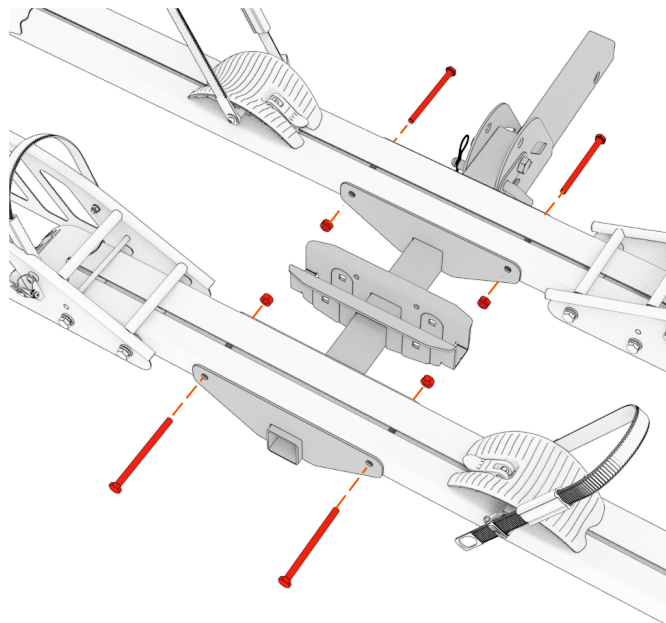
Align the **Bottom Fixing Bracket(2)** with the hole of the **Rotating Group (1)**, insert the **M16\*85 Outer Hexagon Bolt (3)** into the hole at the bottom, and then screw on the **M16 Lock Nut (4)**. Insert the **16 Bent Pin(13)** and the **φ3.8 Pin (15)** at the same time, and use the **M10 Short Hexagon Bolts (14)** to screw into the **Bottom Fixing Bracket (2)** as shown in the figure to eliminate

## STEP2



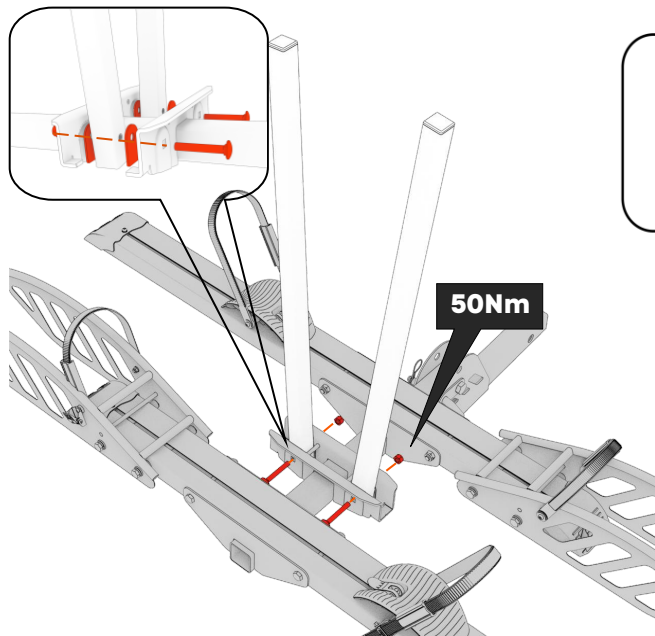
Align the holes from the **Front Wheel Holder (6)** and the **Beam Assembly (5)**. Then fix them with the **M10\*25 Outer Hex Bolt Kit (7)**.

## STEP3



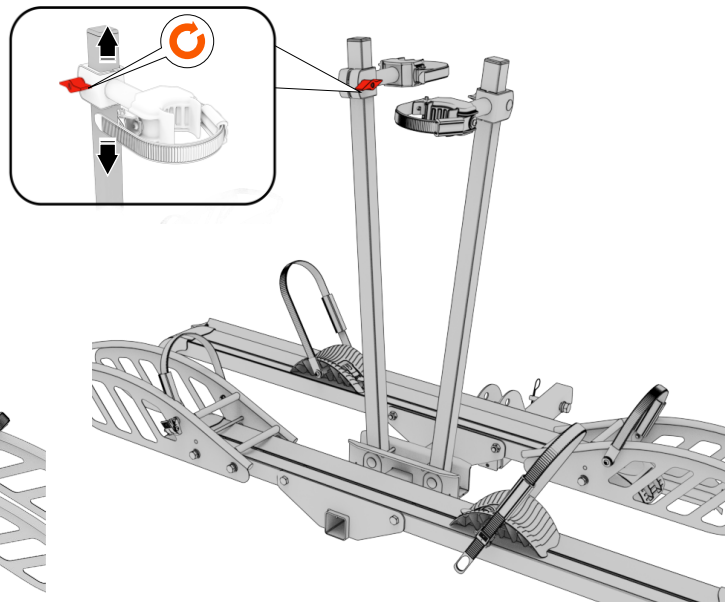
Place the components assembled in steps 2 above into the **Bottom Fixing Bracket (2)**, align the holes, install 4pcs **M10\*120 Outer Hexagon Bolt (8)** and 4pcs **M10 Lock Nut (9)**, and tighten the bolts.

#### STEP4



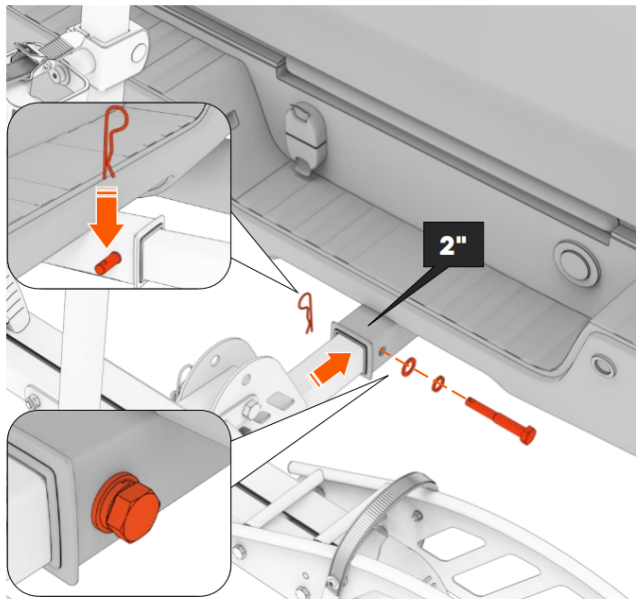
Insert the **Middle Support Tube (10)** into the base of the **Bottom Fixing Bracket (2)**, place the **Semicircle Plate (20)** on both sides of **Middle Support Tube (10)**, then fix them with the **M10\*65 Bolt (11)** and the **M10 Lock Nut (9)**.

#### STEP5



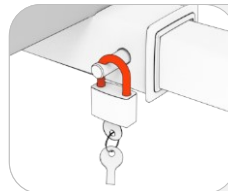
Install the adjustable **Connecting Block (12)** to the **Middle Support Tube (10)**, then tighten the knob from the **Connecting Block (12)**.

## STEP6



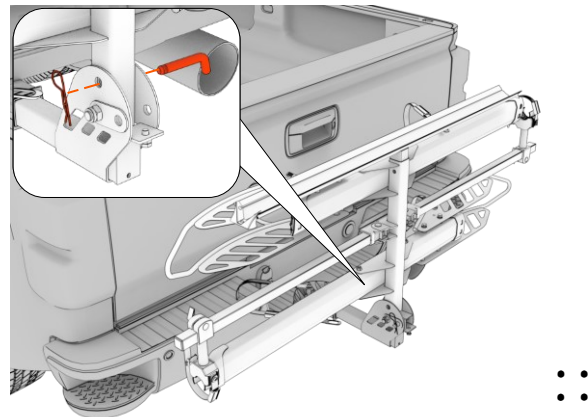
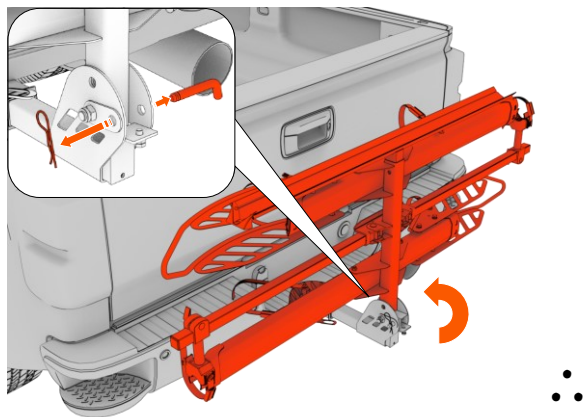
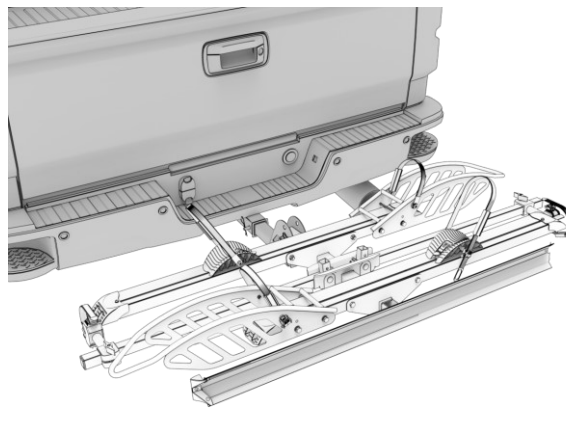
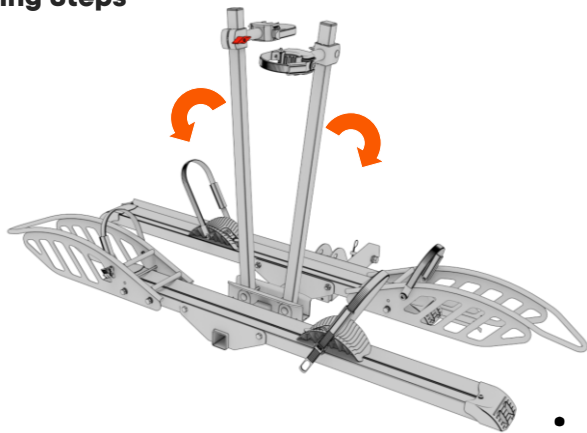
Align the holes of the folding tube with the holes on the vehicle's **2" hitch receiver**, then connect the two parts as shown below. Place an **M16 Shockproof Bolt (16)**, through the  **$\varphi 16$  Spring Washer (17)**,  **$\varphi 16$  Flat Washer (18)** and the aligned holes. Screw the bolt in place by Monkey Wrench (Not included) and secure it

with the  **$\varphi 3.8$  pin (15)**, making sure to place the pin through the holes on the bolt.



- ❗ The diameter of lock beam should be less than **7mm**.
- ❗ The lock is not included.

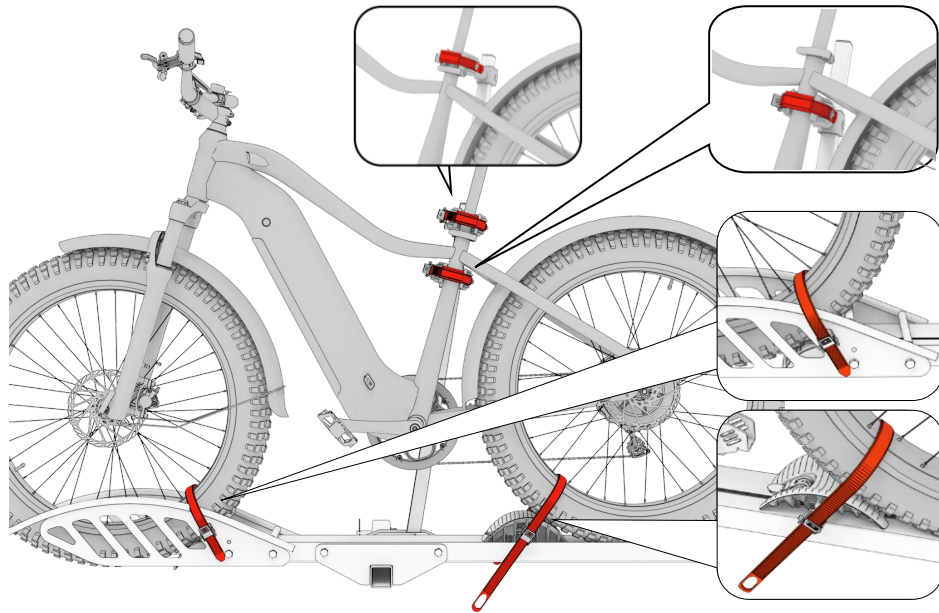
## Folding Steps





## Bike Installation Instructions

- ❗ Snap the front tire of the ebike into the front wheel holder, place the rear tire in the beam, and then use the ratchet wheel straps to fix the front wheel, rear wheel, and seat/middle tube of the bike as shown in the figure below.
- ❗ Please place one bike on the side which is close to the vehicle first, and install the **Connecting Block (12)** after the bike is fixed.
- ❗ It's generally recommended that using the ratchet wheel strap to fix the seat/middle tube. Please **DO NOT** strap the locations outside the designated seat/middle tube.



**Note:** Use the ratchet wheel strap to fix and tighten the seat/middle tube of the bike.

Buyer should take full responsibility if any damage is caused by the lack of securing the seat tube well and being clamped in a location other than the seat/middle tube.

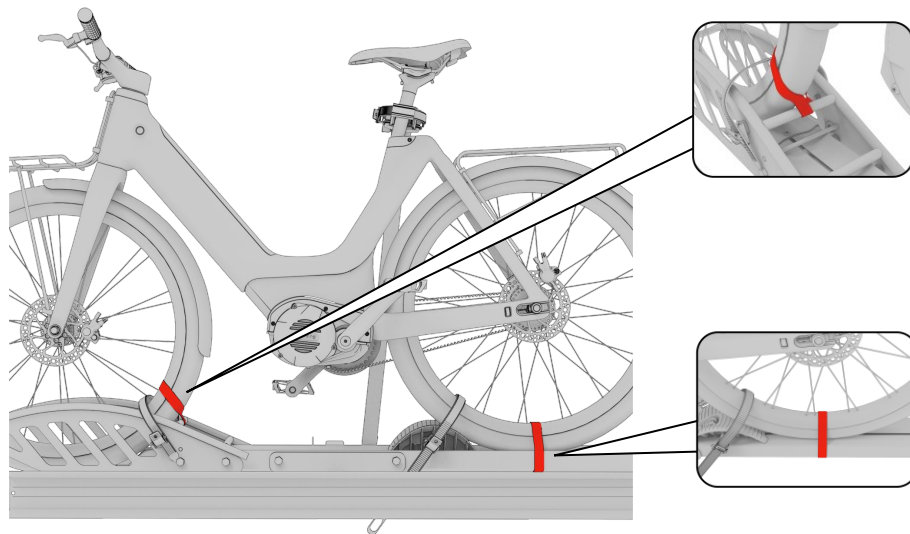
**Note:** Use the ratchet wheel strap to fix and tighten the front wheel of the bike.

**Note:** The rear tire fixing seat needs to be placed in front of the rear wheel.

## Bike Installation Instructions (tire width < 2.5")

❗ If your tire width is less than 2.5", please use velcros to fasten the front and rear tires.

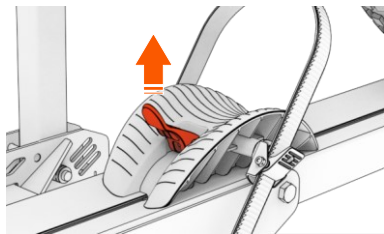
❗ Only 4pcs of **Velcro(19)** are required to fix the tires, the rest are for spare. Please keep the fixing method of velcro the same for the bike on the other side.



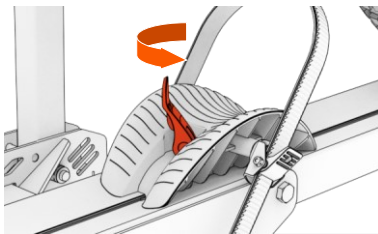
**Note:** The velcro fixes the front tire as illustrated

**Note:** The velcro fixes the rear tire as illustrated

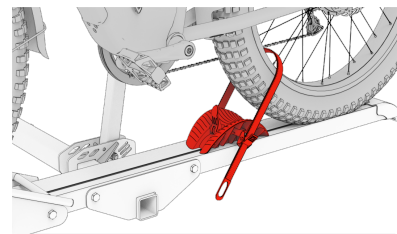
## How to Adjust the Wheel Cradle



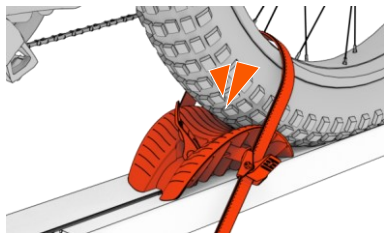
1. Pull the cam gear



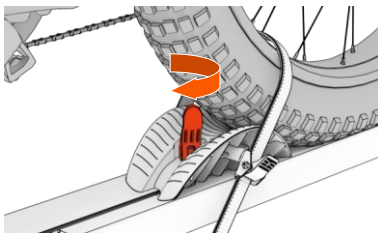
2. Turn in counterclockwise



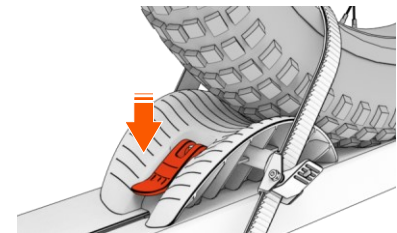
3. Slide it



4. Until it against the tire

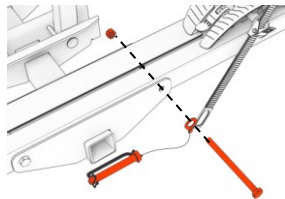


5. Fix by turning clockwise

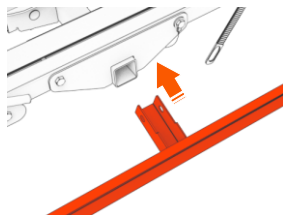


6. Press it down

## How to Use the Ramp



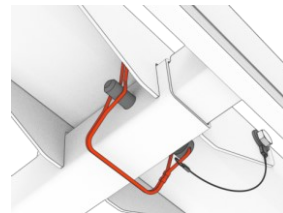
**1.** Fix the buckle to the  
rack



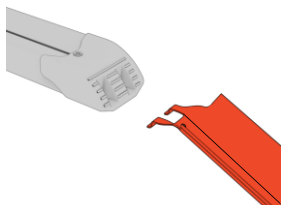
**2.** Insert the ramp



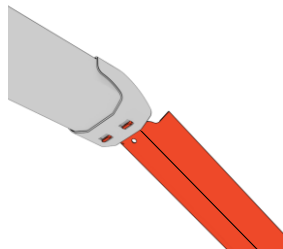
**3.** Insert the  
quick-release pin



**4.** Fix the quick-release  
pin



**5.** Confirm the direction  
of ramp

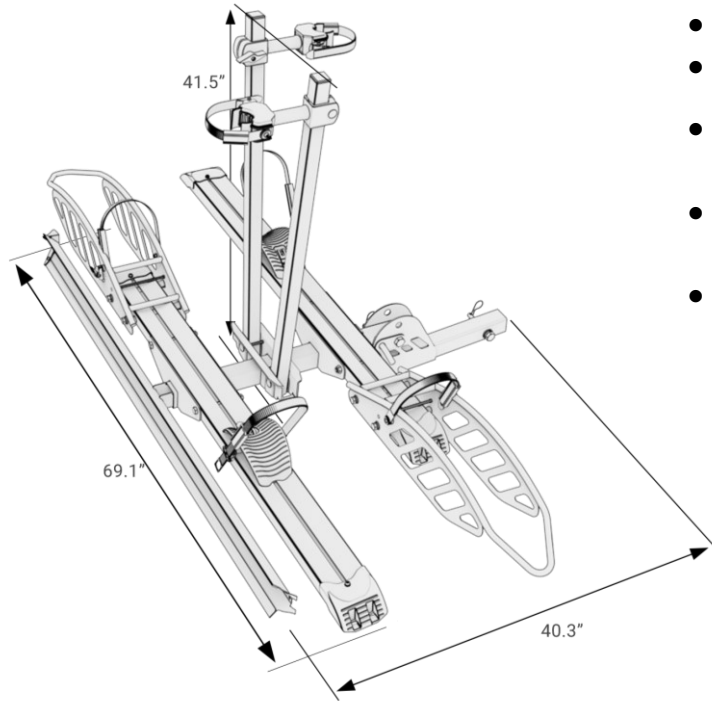


**6.** Insert the ramp to the  
bike rack



**7.** Push the bike up  
along the ramp

## Dimension



## Technical Specifications

- Maximum Load: Bikes under 200LBS
- Maximum bike wheelbase 50"
- Applicable Types of Hitched Bike: Electric Bike/Regular Bike
- Not intended for use with mopeds, motorcycles or 3 wheels bikes
- Applicable for tires width within 5", extra velcros (included) need to be applied for tires within 2.5"

<b>Model Name</b>	CRAVOT CyberRack E2
<b>Description</b>	2" Hitch 2-Bike Rack with Ramp
<b>Material</b>	Aluminum & Steel
<b>Maximum Weight Capacity</b>	200lbs
<b>Applicable Vehicles</b>	Vehicles with 2" receiver
<b>Package Size</b>	54.6x18.6x8.7in
<b>Package Weight</b>	79.4lbs

## ⚠️ WARNINGS ⚠️

- Do not overload beyond the bike rack's weight capacity of 200lbs.
- Do not carry more than 2 bikes on the carrier.
- The bike rack is not intended for transporting humans or animals.
- If you are planning to load only one bike, it is recommended to place it in the position closest to the vehicle.
- All bikes must be secured properly before operating the vehicle.
- Make sure the front of the bike(s), when mounted, are at or above the bottom of the bumper to avoid damage to the bike(s).
- Do not carry flammable items on the bike rack.
- If using the bike rack to transport electric bikes, please remove the batteries from the bikes prior to transporting them. This will help reduce the weight supported by the carrier.
- During long trips, frequently check the straps and bike position, especially if traveling on rough terrain.
- Please do not make alterations to the product, as it can pose potential hazards to your safety.
- Failure to heed these warnings may result in personal injury and/or property damage.
- To prevent serious injury or death, inspect the bike rack for any signs of wear, corrosion and fatigue before each use. Do not use the bike rack if parts are bent, broken, deformed or missing. If parts are bent, broken, damaged or missing, remove the rack from your vehicle before operating the vehicle.

## **CRAVOT Warranty Policy**

Thank you for choosing CRAVOT. We are committed to providing you with quality products and exceptional service. This Limited Warranty Policy outlines the terms and conditions of our warranty support, including considerations for varying state laws in the United States and important disclaimers.

- **Warranty Period**

Each of our products is backed by a Limited Warranty. This product is covered by a 1-year warranty from the date of purchase. The duration of the warranty varies based on the product category and manufacturing standards. Specific warranty details for your product can be found in the product manual or on our website.

This warranty covers defects in materials and workmanship under normal use. Please retain your proof of purchase to validate your warranty claim.

- **Exclusions from Warranty**

This warranty does not cover damages resulting from improper use, accidents, unauthorized repair or modifications, or normal wear and tear.

Products outside of the warranty period or damages not covered under this warranty can be repaired at a reasonable cost if applicable (Determined by CRAVOT).

- **Claiming Warranty Service**

To claim warranty service, please contact our customer service with your proof of purchase and a description of the issue.

Our customer service team will guide you through the warranty process and provide necessary support.

- **Repair/Replacement Policy**

Qualifying products that are damaged due to non-human factors will be repaired or replaced free of charge within the warranty period.

Replacement products or parts may be new or refurbished but will function like new.

We strive to ensure that the repair or replacement process is quick and seamless.

- State Law Considerations

This warranty gives you specific legal rights, and you may also have other rights which vary from state to state in the United States.

Some states do not allow limitations on how long an implied warranty lasts or the exclusion or limitation of incidental or consequential damages, so the above limitations or exclusions may not apply to you.

- Disclaimer of Liability

It is crucial to follow the instructions provided in the product manual for proper use. CRAVOT is not responsible for any damages or losses resulting from improper operation or handling of the product.

This disclaimer of liability includes but is not limited to personal injury, damage to property, or any other losses incurred due to non-compliance with the provided instructions. The warranty does not apply to the product when resold as a second-hand item.

- Customer Support

Our customer support team is always ready to assist with any questions or concerns regarding our products or services.

Please contact us through our provided contact methods, and we will be more than happy to serve you.

Thank you for your support and trust in CRAVOT. We are committed to delivering high-quality products and ensuring your satisfaction with our services.

## Get Support



[cravot.com](https://cravot.com)



[support@cravot.com](mailto:support@cravot.com)



# THANK YOU FOR CHOOSING A CRAVOT HITCH BIKE RACK!

● The CRAVOT Bike racks are meticulously designed to ensure stability and safety when hitching your bikes. Prior to assembly, carefully read through this Owner's Manual, as it provides essential information for both assembly and adjustment. CRAVOT is committed to delivering a bike rack that is properly assembled and accurately adjusted upon leaving our factory. If you have any inquiries after reviewing this manual, please reach out to our Help Center. Our customer service team is ready to address questions regarding assembly, performance, operation, service parts, or general services.

● Keep this Owner's Manual in a secure location for future reference. All content in this manual is subject to change as we continuously refine our products. This manual incorporates warnings, cautions, and notes, so it is crucial to thoroughly read all information for your safety. Pay special attention to any information marked with a warning or caution symbol. Additionally, take note of information preceded by NOTICE, as it contains essential details related to safety. Always ensure proper maintenance and care for your bike rack to preserve its original quality and safety features.

**CRAVOT**