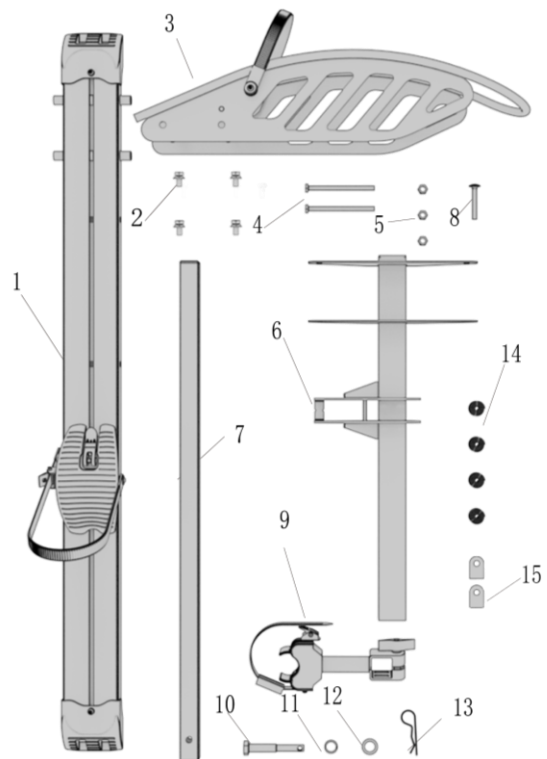


MANUAL

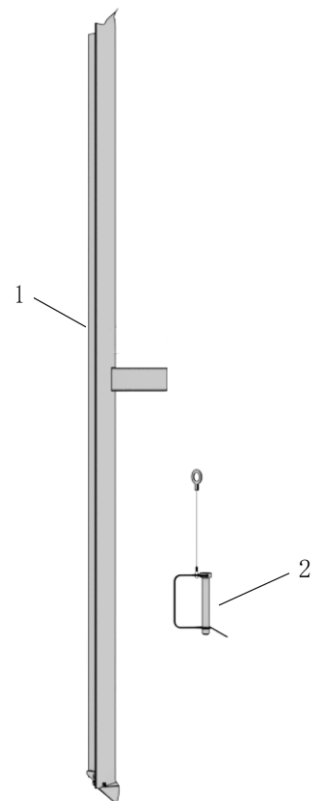
CyberRack E1 Hitch Bike Rack

CRAVOT

Parts for bike rack



Parts for ramp



Parts List for bike rack

Part#	Description	Qty
1	Beam Assembly	1
2	M10*25 Outer Hexagon Bolt Kit	4
3	Front Wheel Holder	1
4	M10 Long Outer Hexagon Bolt	2
5	M10 Lock Nut	3
6	Bottom Fixing Bracket	1
7	Support Rod	1
8	M10 Low Square Neck Bolt	1
9	Connecting Block	1
10	M16 Shockproof Bolt	1
11	φ16 Spring Washer	1
12	φ16 Flat Washer	1
13	φ3.8 Pin	1
14	Velcro	4
15	Semicircle Plate	2

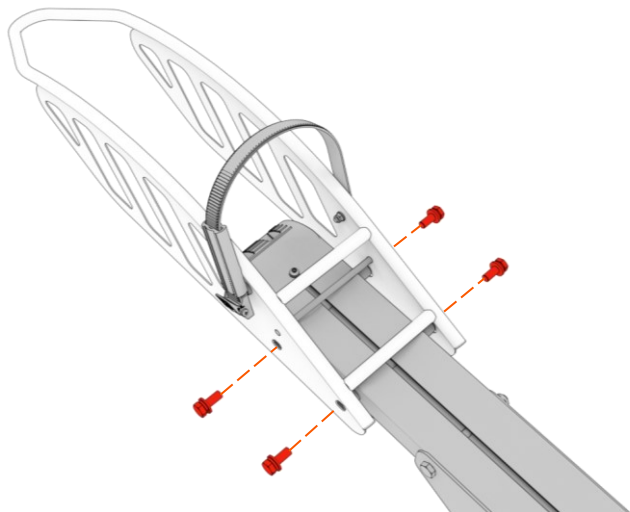
Parts List for ramp

Part#	Description	Qty
1	Ramp	1
2	Quick-release pin	1

Required Tools (Not included)

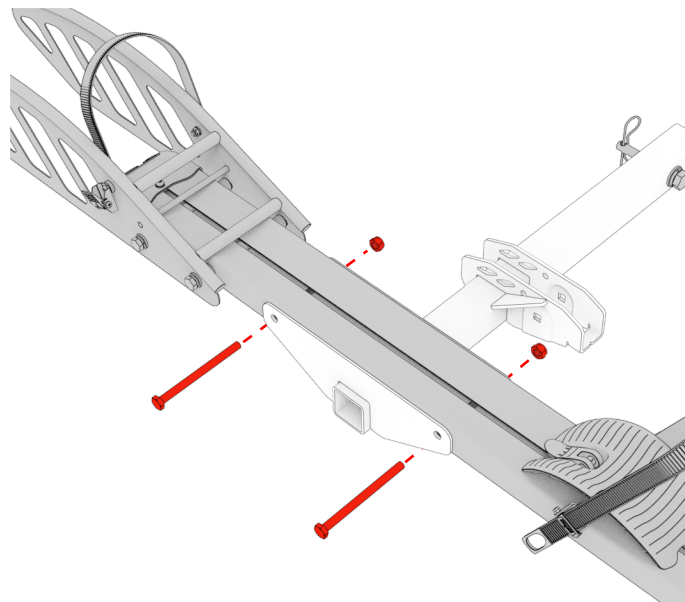
Name	Imperial	Metric
Monkey Wrench	12"	300mm
Open Wrench	7/16"	11mm
Open Wrench	11/16"	17mm

STEP1



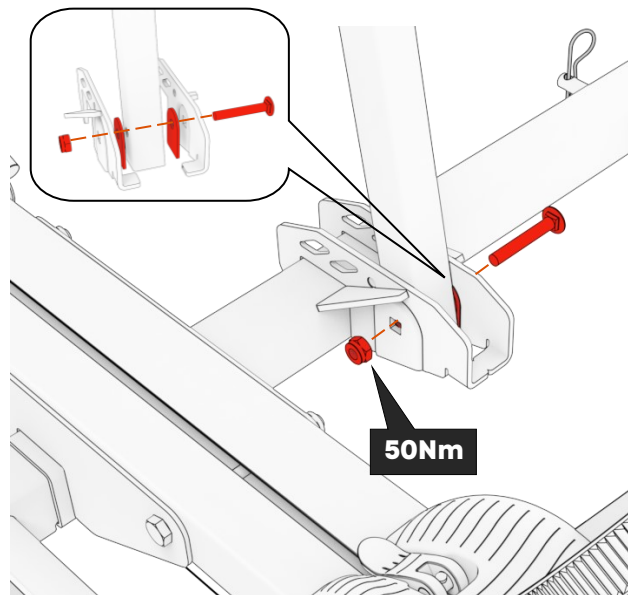
Put the holes of the **Front Wheel Holder (3)** and the **Beam Assembly (1)** aligned, install 4pcs **M10*25 Outer Hexagon Bolt Kit (2)** and tighten them.

STEP2



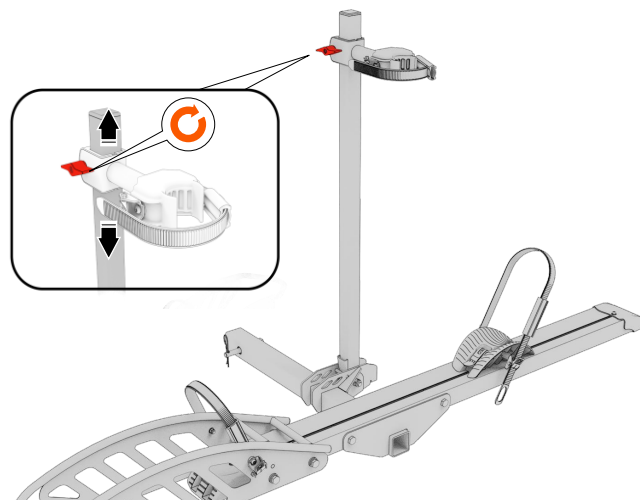
Place the components assembled in steps 1 above into the **Bottom Fixing Bracket (6)**, align the holes, install 2pcs **M10 Long Outer Hexagon Bolt (4)** and 2pcs **M10 Lock Nut (5)**, and tighten the bolts.

STEP3



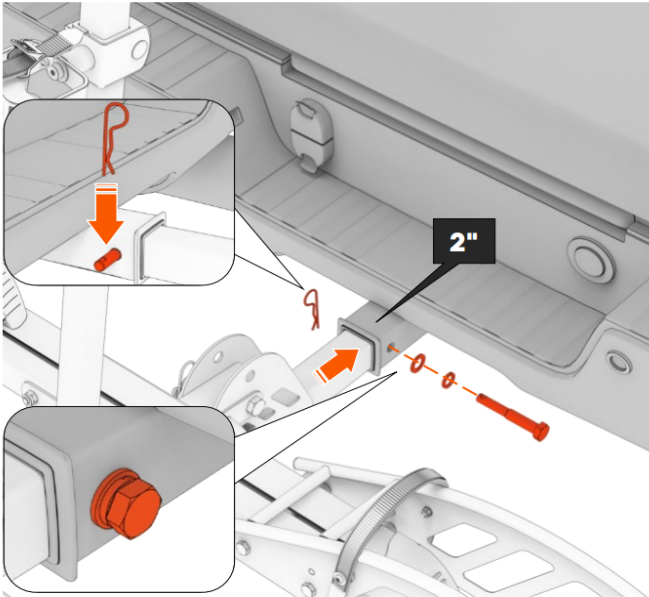
Insert the **Support Rod (7)** into the **Bottom Fixing Bracket (6)**, align the holes, place the **Semicircle Plate (15)** on both sides of **Support Rod (7)**, install the **M10 Low Square Neck Bolt (8)** and the **M10 Lock Nut (5)**, and tighten them until the support rod does not move.

STEP4



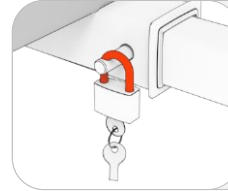
Insert the adjustable **Connecting Block (9)** into the **Support Rod (7)**, and properly tighten the knob so that it does not slide down.

STEP5



Align the holes of the folding tube with the holes on the vehicle's **2" hitch receiver**, then connect the two parts as shown below. Place an **M16 shockproof bolt (10)**, through the **φ16 Spring Washer (11)**, **φ16 Flat Washer (12)** and the aligned holes. Screw the bolt in place by Monkey Wrench (Not included) and secure it

with the **φ3.8 pin (13)**, making sure to place the pin through the holes on the bolt.

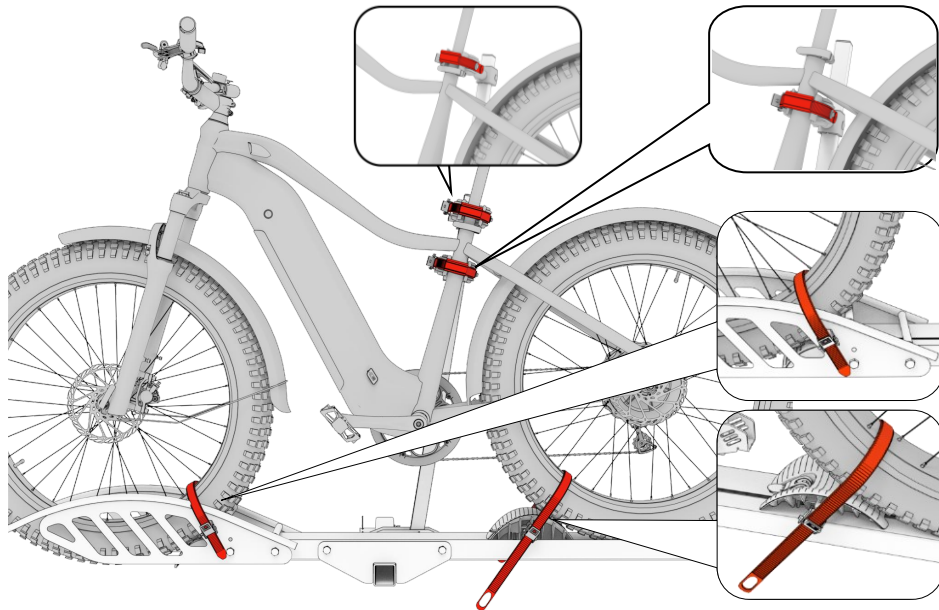


- ⚠ The diameter of lock beam should be less than **7mm**.
- ⚠ The lock is not included.

Bike Installation Instructions

! Before placing the bike, stand up the support rod in the middle, snap the front tire of the ebike into the front wheel holder, place the rear tire in the beam, and then use the ratchet wheel straps to fix the front wheel, rear wheel, and seat/middle tube of the bike as shown in the figure below.

! It's generally recommended that using the ratchet wheel strap to fix the seat/middle tube. Please DO NOT strap the locations outside the designated seat/middle tube.



Note: Use the ratchet wheel strap to fix and tighten the seat/middle tube of the bike.

Buyer should take full responsibility if any damage is caused by the lack of securing the seat tube well and being clamped in a location other than the seat/middle tube.

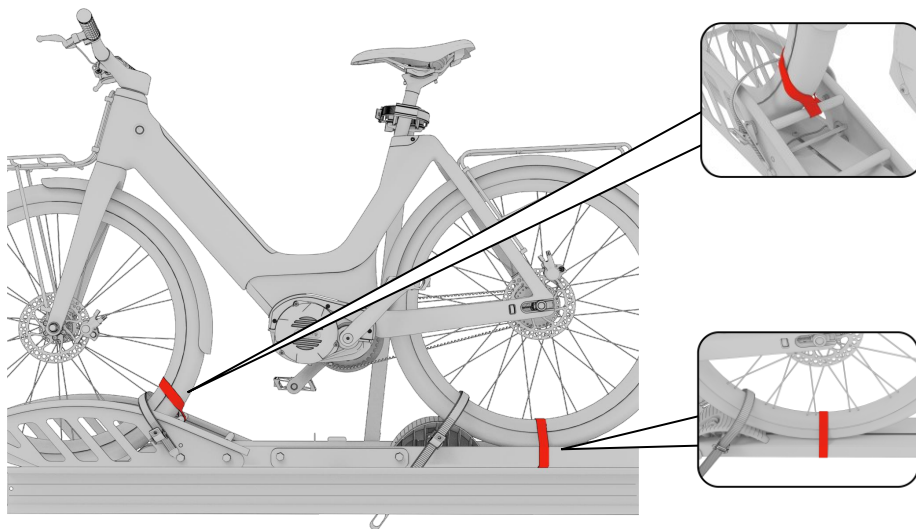
Note: Use the ratchet wheel strap to fix and tighten the front wheel of the bike.

Note: The rear tire fixing seat needs to be placed in front of the rear wheel.

Bike Installation Instructions (tire width < 2.5")

❗ If your tire width is less than 2.5", please use velcros to fasten the front and rear tires.

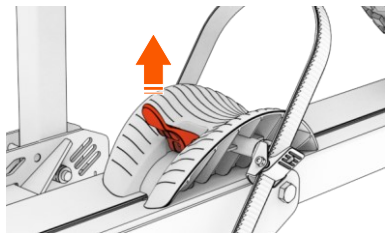
❗ Only 2pcs of **Velcro(14)** are required to fix the tires, the rest are for spare.



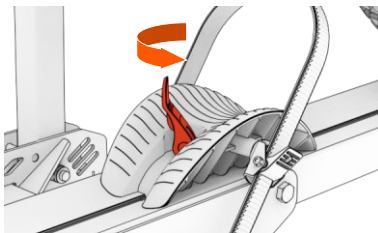
Note: The velcro fixes the front tire as illustrated

Note: The velcro fixes the rear tire as illustrated

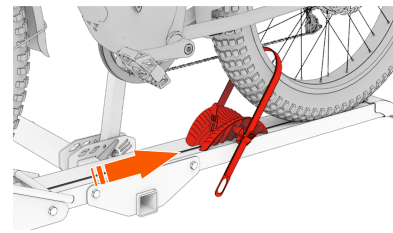
How to Adjust the Wheel Cradle



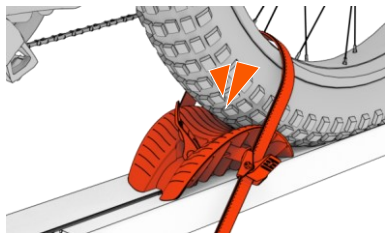
1. Pull the cam gear



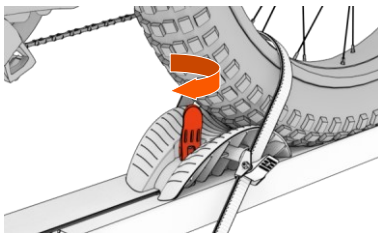
2. Turn in counterclockwise



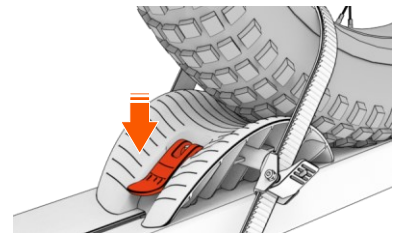
3. Slide it



4. Until it against the tire

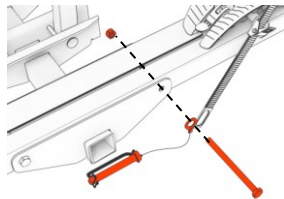


5. Fix by turning clockwise

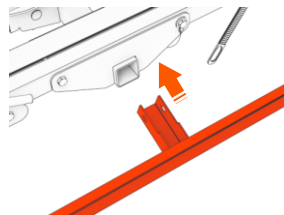


6. Press it down

How to Use the Ramp



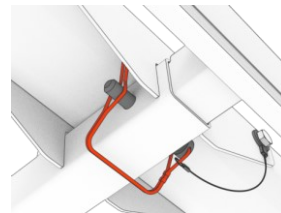
1. Fix the buckle to the
rack



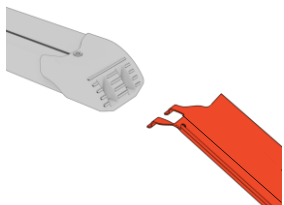
2. Insert the ramp



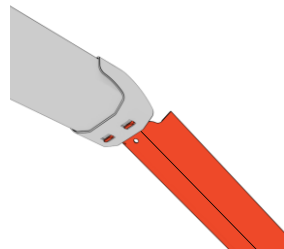
3. Insert the
quick-release pin



4. Fix the quick-release
pin



5. Confirm the direction
of ramp

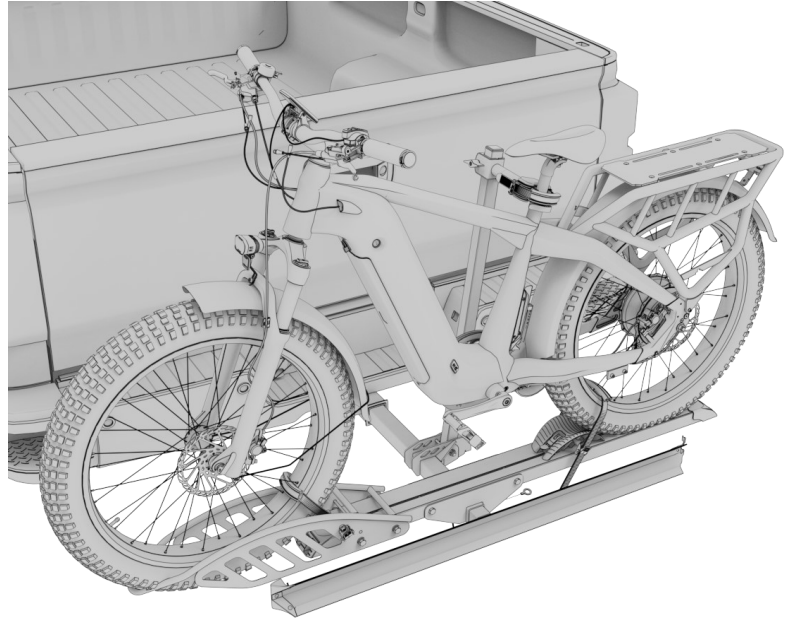


6. Insert the ramp to the
bike rack

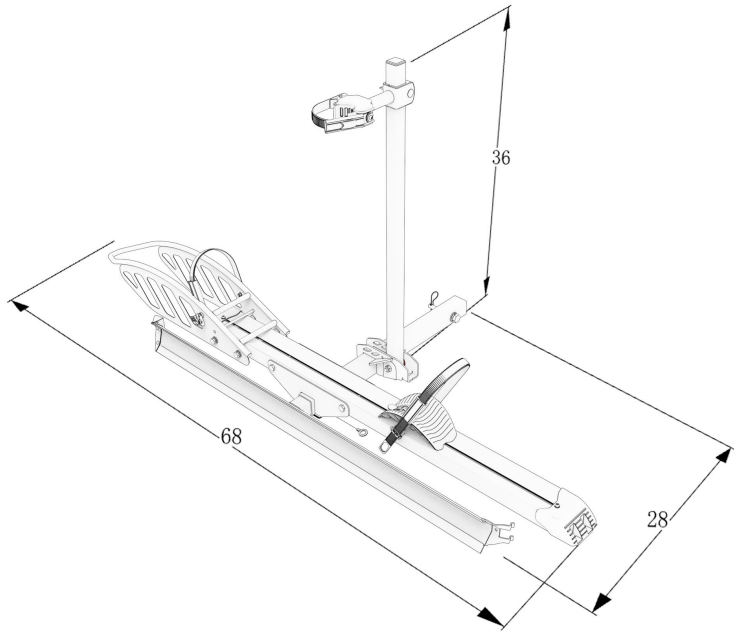


7. Push the bike up
along the ramp

**YOU ARE
ALMOST
THERE!**



Dimension



Technical Specifications

- Maximum Load: Bike under 100LBS
- Maximum bike wheelbase 50"
- Applicable Types of Hitched Bike: Electric Bike/Regular Bike
- Not intended for use with mopeds, motorcycles or 3 wheels bikes
- Applicable for tires width within 5", extra velcros (included) need to be applied for tires within 2.5"

Model Name	CRAVOT CyberRack E1
Description	2" Hitch 1-Bike Rack with Ramp
Material	Aluminum & Steel
Maximum Weight Capacity	100lbs
Applicable Vehicles	Vehicles with 2" receiver
Package Size	55.9x13.9x8.3in
Package Weight	44.1lbs

⚠️ WARNINGS ⚠️

- Do not overload beyond the bike rack's weight capacity of 100lbs.
- Do not carry more than 1 bike on the carrier.
- The bike rack is not intended for transporting humans or animals.
- If you are planning to load only one bike, it is recommended to place it in the position closest to the vehicle.
- All bikes must be secured properly before operating the vehicle.
- Make sure the front of the bike(s), when mounted, is at or above the bottom of the bumper to avoid damage to the bike(s).
- Do not carry flammable items on the bike rack.
- If using the bike rack to transport electric bikes, please remove the batteries from the bikes prior to transporting them. This will help reduce the weight supported by the carrier.
- During long trips, frequently check the straps and bike position, especially if traveling on rough terrain.
- Please do not make alterations to the product, as it can pose potential hazards to your safety.
- Failure to heed these warnings may result in personal injury and/or property damage.
- To prevent serious injury or death, inspect the bike rack for any signs of wear, corrosion and fatigue before each use. Do not use the bike rack if parts are bent, broken, deformed or missing. If parts are bent, broken, damaged or missing, remove the rack from your vehicle before operating the vehicle.

CRAVOT Warranty Policy

Thank you for choosing CRAVOT. We are committed to providing you with quality products and exceptional service. This Limited Warranty Policy outlines the terms and conditions of our warranty support, including considerations for varying state laws in the United States and important disclaimers.

- **Warranty Period**

Each of our products is backed by a Limited Warranty. This product is covered by a 1-year warranty from the date of purchase. The duration of the warranty varies based on the product category and manufacturing standards. Specific warranty details for your product can be found in the product manual or on our website.

This warranty covers defects in materials and workmanship under normal use. Please retain your proof of purchase to validate your warranty claim.

- **Exclusions from Warranty**

This warranty does not cover damages resulting from improper use, accidents, unauthorized repair or modifications, or normal wear and tear.

Products outside of the warranty period or damages not covered under this warranty can be repaired at a reasonable cost if applicable (Determined by CRAVOT).

- **Claiming Warranty Service**

To claim warranty service, please contact our customer service with your proof of purchase and a description of the issue.

Our customer service team will guide you through the warranty process and provide necessary support.

- **Repair/Replacement Policy**

Qualifying products that are damaged due to non-human factors will be repaired or replaced free of charge within the warranty period.

Replacement products or parts may be new or refurbished but will function like new.

We strive to ensure that the repair or replacement process is quick and seamless.

- State Law Considerations

This warranty gives you specific legal rights, and you may also have other rights which vary from state to state in the United States.

Some states do not allow limitations on how long an implied warranty lasts or the exclusion or limitation of incidental or consequential damages, so the above limitations or exclusions may not apply to you.

- Disclaimer of Liability

It is crucial to follow the instructions provided in the product manual for proper use. CRAVOT is not responsible for any damages or losses resulting from improper operation or handling of the product.

This disclaimer of liability includes but is not limited to personal injury, damage to property, or any other losses incurred due to non-compliance with the provided instructions. The warranty does not apply to the product when resold as a second-hand item.

- Customer Support

Our customer support team is always ready to assist with any questions or concerns regarding our products or services.

Please contact us through our provided contact methods, and we will be more than happy to serve you.

Thank you for your support and trust in CRAVOT. We are committed to delivering high-quality products and ensuring your satisfaction with our services.

Get Support



cravot.com



support@cravot.com

THANK YOU FOR CHOOSING A CRAVOT HITCH BIKE RACK!

- The CRAVOT Bike racks are meticulously designed to ensure stability and safety when hitching your bikes. Prior to assembly, carefully read through this Owner's Manual, as it provides essential information for both assembly and adjustment. CRAVOT is committed to delivering a bike rack that is properly assembled and accurately adjusted upon leaving our factory. If you have any inquiries after reviewing this manual, please reach out to our Help Center. Our customer service team is ready to address questions regarding assembly, performance, operation, service parts, or general services.

- Keep this Owner's Manual in a secure location for future reference. All content in this manual is subject to change as we continuously refine our products. This manual incorporates warnings, cautions, and notes, so it is crucial to thoroughly read all information for your safety. Pay special attention to any information marked with a warning or caution symbol. Additionally, take note of information preceded by NOTICE, as it contains essential details related to safety. Always ensure proper maintenance and care for your bike rack to preserve its original quality and safety features.

CRAVOT