

PS1082: Interchangeable UK, Eu, US Heads only, 12VDC 1.5A output, 2.1x5.5x12(mm) C+ Features

- ▶ Rated power: 18W max.
- ▶ Input: 90~264VAC, 47~63Hz
- ▶ Output: regulated single out
- ▶ High efficiency 86% average from 25% to 100 % rated load
- ▶ Low ripple and noise
- ▶ Protected with OCP, OVP, SCP
- ▶ Operating temperature range: -10~+40°C
- ▶ Standby power consumption less than 0.1W
- ▶ Meet DOE Level VI

- ▶ AC blade options: UL, EU, UK and AU type
 - ▶ DC out options: USB out, or standard DC cord with DC plugs of any types
 - ▶ Plastic case can be custom made to any colour with MOQ
 - ▶ Meet IEC/EN/ETL62368-1, EN55032, CISPR32, EN55035, FCC Part 15B
- Designed for general purpose applications, 1 year warranty



Model Numbers

Model Numbers	Output Voltage [V]	Output Current [A] Max.	Ripple & Noise* [mVp-p] Max.	Full Load Efficiency [%] Typ.	Average Efficiency [%] Min.	Efficiency Level [DOE]
TBC	5	3.00	200	79	81.39	VI
TBC	9	2.00	200	82	85.00	VI
PS1082	12	1.50	200	82	85.00	VI

* Only typical models are listed, other models may be available, upon request.

* Suffix “_” refers to the DC cord length and DC plug options. For default options, this can be omitted.

* Ripple and noise tested with 20MHz band width, and with a 10uF electrolytic capacitor and a 0.1uF ceramic capacitor is connected in parallel at the output.

Electrical Specifications

Unless otherwise indicated, specifications are measured at T_A=25°C, humidity<75%, nominal input voltage and rated output load.

Parameters	Condition	Min.	Typ.	Max.	Unit	Note
Input voltage range		90	-	264	Vac	
Nominal input voltage		100	-	240	Vac	
Input frequency		47	-	63	Hz	
Input current	100Vac	-	-	0.5	A	
Inrush current	230Vac, Cold start	-	-	100	A	
Leakage current	240Vac, 50Hz	-	-	0.25	mA	
No load power consumption	115Vac/230Vac	-	-	0.1	W	

Output voltage accuracy With line & load regulation included	$I_{OUT}=0A \dots$ Rated	-	-	± 5	$\%V_{OUT}$	
Start up and rise time	100Vac, Full load	Turn-on delay 3sec max, rise time 100mS max				
Isolation voltage	Input to output	5mA max, tested at 4242Vdc for 60sec				
Insulation resistance	Input to output	10Mohm min, tested at 500Vdc				
Protections	Automatic recovery	Over current, over voltage, and short circuit protection Over current trigger point $1.1 \times I_{OUT-RATED} < OCP < 2 \times I_{OUT-RATED}$				

General Specifications

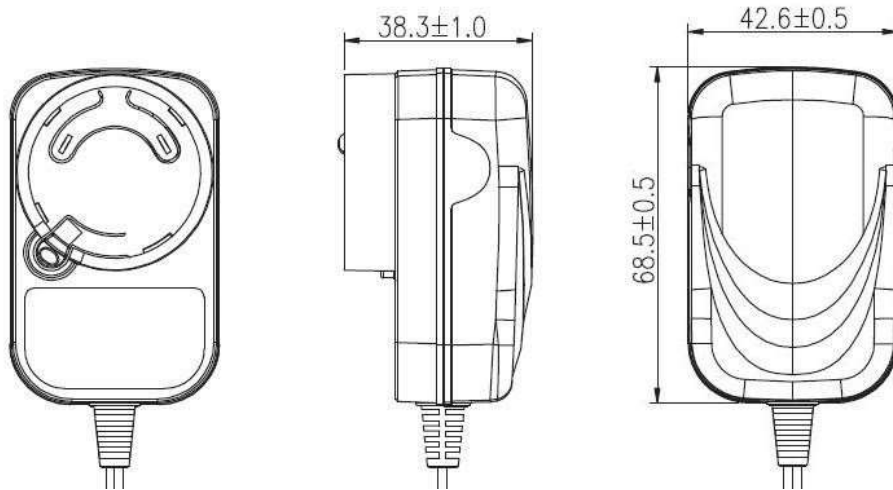
Parameters	Condition	Min.	Typ.	Max.	Unit	Note
Operating temperature range		-10	-	40	°C	
Operating humidity		10	-	90	%RH	
Storage temperature		-25	-	85	°C	
Storage humidity		10	-	95	%RH	
Case colour	Default colour is Black. MOQ 5,000 ~ 10,000pcs for other colour.					
Vibration	10~30Hz, 1.0G, 3.5mm offset, 60minutes along each X, Y, Z					
Burn-in test	100% burn-in test, 4 hours, full load and 40°C ambient					
MTBF	> 50,000 Hours, 25°C, MIL-HDBK-217F					
Safety standards	Meet IEC/EN/ETL62368-1					
EMC standards	Meet EN55032, CISPR32, EN61000-3-2, 3, EN55035, FCC Part 15B					
Packing & Weight Lattice packing (Default*)	100pcs/carton 535x420x435m, 16.5Kg G.W. (With all 4 interchangeable blades included)					

* Packing and weight information are estimated based on default DC cord length and DC plug.

* For other packing requirements please consult our sales for availability.

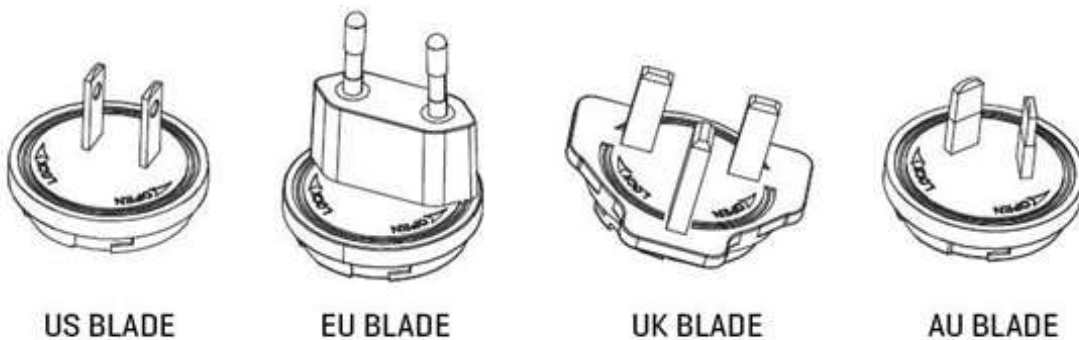
Mechanical Specifications

Adapter Body



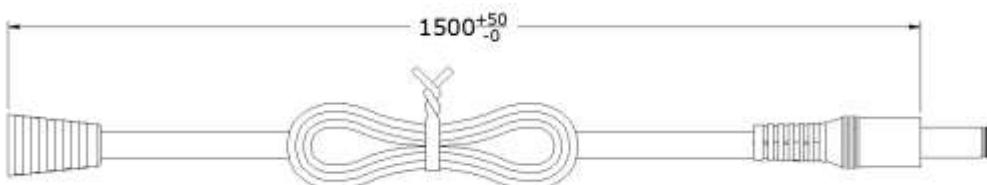
Interchangeable AC Blade Options

AC blade option code "UL/EU/UK/Au"



DC Cord Options

Default DC cord length is 1.5M and code "15" can be omitted. Code "00" for no DC cord assembled options. Other options are available upon request, for example code "12" for 1.2 meters length.

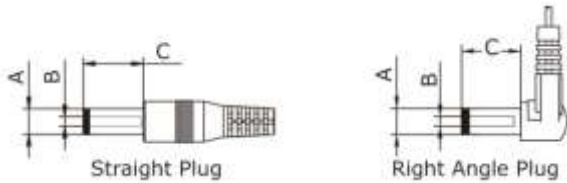


Unite: mm

DC Plug Options

Standard DC Plug

The default code is centre positive and straight DC plug. Add N to the code for centre negative plug, add R for the right angle plug, for example A1NR = A1 size plug, centre negative, with right angle.

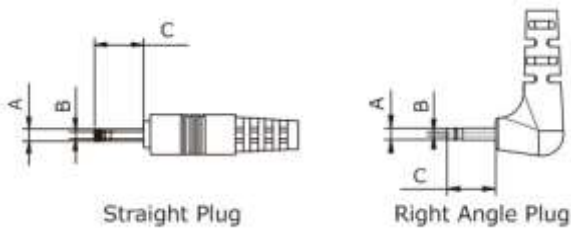


Code	A	B	C	Unit
A1	5.5	2.1	12	mm
A2	5.5	2.5	12	mm
A3	3.5	1.35	12	mm
A4	3.8	1.35	12	mm
A5	3.8	1.05	12	mm

the
DC

EIAJ DC Plug

The default code is centre positive and straight DC plug. Add N to the code for centre negative plug, add R for the right angle plug, for example E1NR = E1 size plug, centre negative, with right angle.



Code	A	B	C	Unit
E1	2.35	0.7	12	mm
E2	4.00	1.7	12	mm
E3	4.75	1.7	12	mm

the
DC

USB Socket

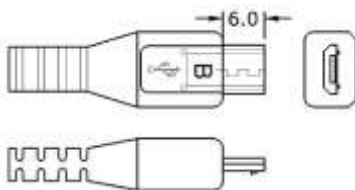
Code "B1" for no DC cord, but USB socket installed in the adaptor's body. In this option, DC cord will be quoted separately when needed.



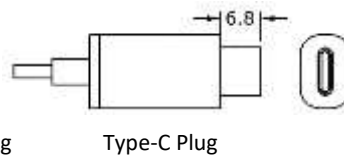
USB Socket

Micro-USB Plug & Type-C Plug

Code "B2" for a standard Micro-USB plug, or "C1" for a standard Type-C plug.



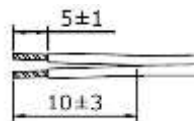
Micro-USB Plug



Type-C Plug

Stripped & Tinned

Code "S1" for no DC plug, but stripped and tinned DC cord. Please contact us for custom made request.



Stripped & Tinned

Unit: mm