

MODICA 600 FREESTANDING WOOD FIRE



By **PAUL AGNEW** | **DESIGNS[®]**

MODICA 600

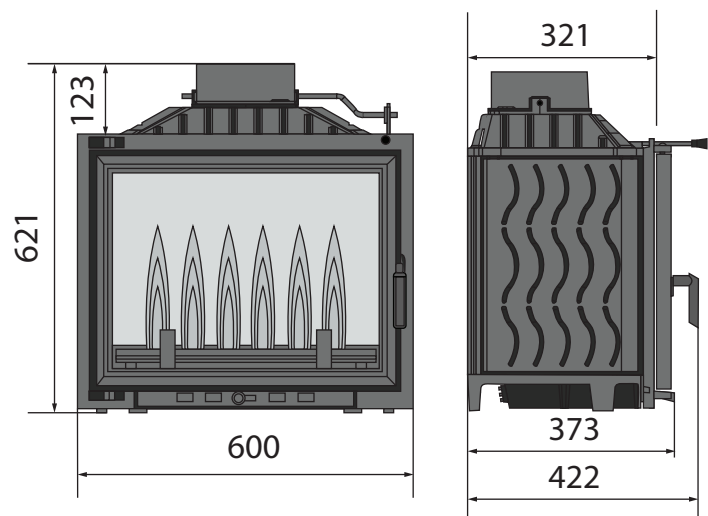
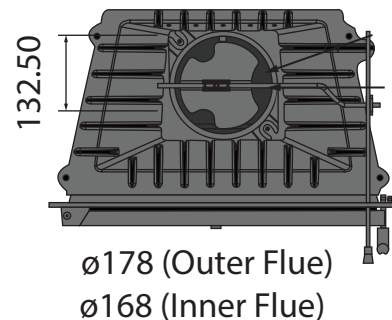
FREESTANDING WOOD FIRE

This beautifully crafted cast iron wood fire is sure to catch your eye, whether installed as a built-in or left freestanding, the high-quality craftsmanship guarantees reliability and durability.

Achieve an industrial look by leaving the firebox exposed, or install it into a masonry fireplace, this versatile firebox offers the flexibility to create a multitude of design spaces.

Specifications

- Secure swing door opening system
- Regulation of air supply for combustion
- Built-in damper control
- Radiant combustion heating system
- Removable grate for easy cleaning
- Heat resistant glass withstands temperatures of 800°C
- Minimalist frame with seamless glass edge
- Optional external primary air intake
- Heats up to 130m²
- Thermal efficiency 80%



By **PAUL AGNEW**

DESIGNS®