

**GOTRAX**

# Hoverkart

TRANSFORM YOUR HOVERBOARD

**USER MANUAL**





# Congratulations on your purchase!

**GOTRAX**

This manual is designed to give you the information you need for the safe operation and maintenance of your new GOTRAX Hoverkart. Please read it thoroughly before riding your GOTRAX Hoverkart.

**WARNING:** Make sure you read this complete manual before riding your GOTRAX Hoverkart. Failure to do so, or failure to follow its guidelines could lead to serious injury or death.



# i

## Table of Contents

**SECTION ONE** of this manual involves safety and GOTRAX Hoverkart care. Understanding and following this information will help you and your GOTRAX Hoverkart avoid injury or damage.

**SECTION TWO** of this manual gives assembly and installation instructions for your GOTRAX Hoverkart.

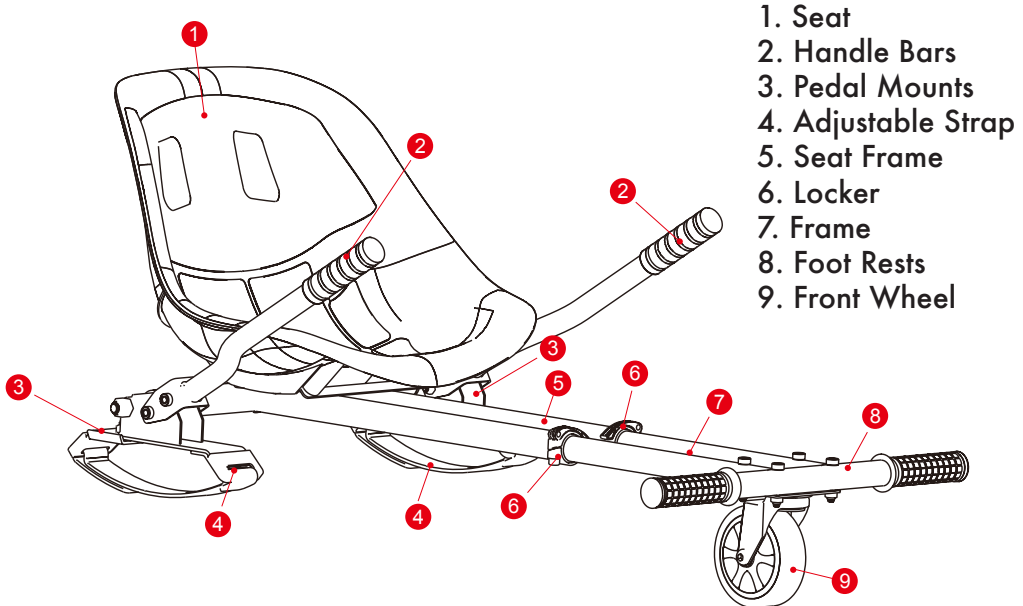
**SECTION THREE** of this manual covers specific safety and operating instructions for your GOTRAX Hoverkart. Even if you are an experienced rider, you should review this section before you ride.

**SECTION FOUR** of this manual covers warranty specifications of your GOTRAX Hoverkart.





# Get to know your Hoverkart



## Specifications

**Compatibility:**

Most self-balancing hoverboards

**Max Load:**

See max load of your self balancing hoverboard

**Tire Size:**

4" swivel caster

**Seat Material:**

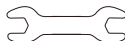
PP



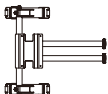
# Parts



Seat x1



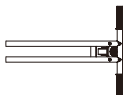
Wrench x1



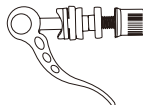
Seat Frame x1



Allen Wrench x2



Frame x1



Locker x2



Right Handle Bar x1



8\*45 Screw x4



Left Handle Bar x1



M6\*12 Screw x4



Strap With Velcro x2



8mm Nut x4

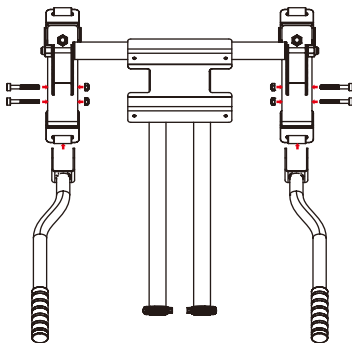
# Assembling your Hoverkart

If you have questions or concerns about any of these steps, please feel free to contact our Customer Service Team at [support@gotrax.com](mailto:support@gotrax.com). Someone will be in touch to walk you through these steps.

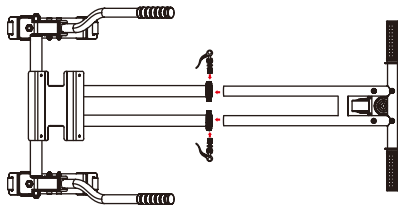
Carefully follow the steps shown on the following pages for assembling the Gotrax Hoverkart. Remove all Gotrax Hoverkart contents from the box. Ensure all contents from the "Parts List" section are accounted for.

---

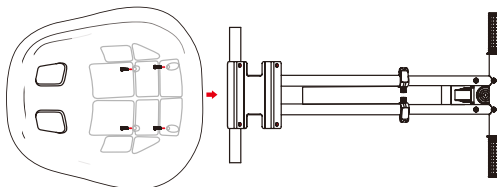
1. Locate the provided 8\*45 Screw and 8mm Nut. Attach the left and right handle bars to the seat frame as shown below.



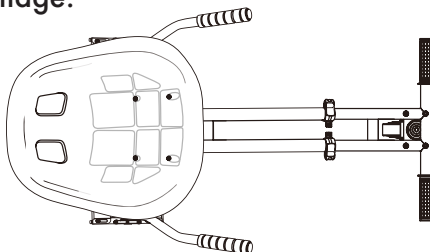
2. Insert the frame into the seat frame. Adjust the frame and the seat frame to your preferred size. Secure the frame in place using the locker.



3. Align the holes of the seat with the seat frame. Secure the seat in place by M6\*12 screws using allen wrench.



4. Your Gotrax Hoverkart is now completely assembled and should look like the below image.





# Installing your hoverboard

If you have questions or concerns about any of these steps, please feel free to contact our Customer Service Team at [support@gotrax.com](mailto:support@gotrax.com) . Someone will be in touch to walk you through these steps.

Carefully follow the steps shown on the following pages for installing the Gotrax Hoverkart onto your electric scooter. Read the remainder of this manual before riding your Gotrax Hoverkart.

Your Gotrax Hoverkart should be completely assembled prior to installing it onto your electric scooter. Please refer to the “Assembling your Gotrax Hoverkart” section for assembling procedures.

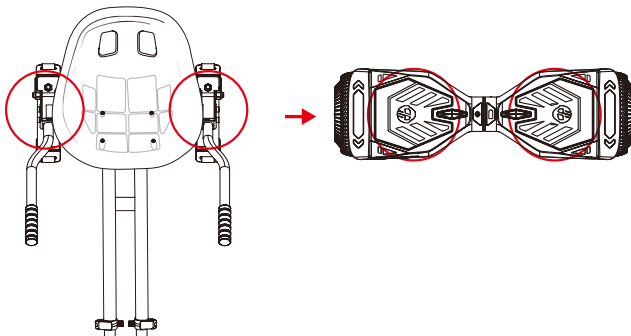
---

**BEFORE ATTACHING YOUR HOVERKART** to your hoverboard, you must ensure that you have turned off the self-balancing mode.

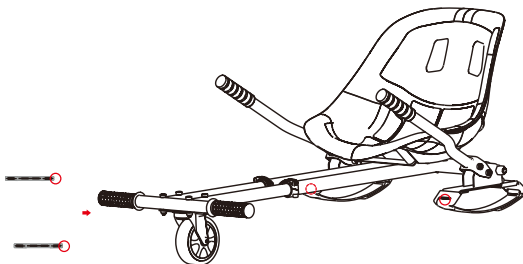
**To turn off self balancing mode** on your GOTRAX hoverboard, first power on your hoverboard.

**Once the GOTRAX Hoverboard is powered on**, press the power button for 2 seconds. You will hear a loud beep that signals that the self-balancing mode is turned off.

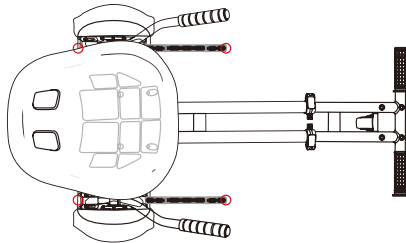
1. Place the pedal mounts onto the foot pedals of your self-balancing scooter with the front wheel facing forward. Ensure the pedal mounts are centered on the foot pedals of your scooter as much as possible.



2. Secure your Gotrax Hoverkart to your self-balancing scooter using both adjustable straps with Velcro. With the velcro side facing away from your scooter, attach one hook of each adjustable strap to the back of each pedal mount.



3. Wrap both adjustable straps under your self-balancing scooter and attach the second hook of each adjustable strap to the front of each pedal mount.



4. Adjust both adjustable straps so that they are secured tightly around your scooter.
5. Your GoTrax Hoverkart should be properly installed onto your scooter as shown below.



## Before Riding

**WARNING:** Any scooter that does not work properly can cause you to lose control and fall. Inspect the entire device thoroughly before every ride, and do not ride it until any problems have been corrected.



## Hoverkart Operation

It is important that you fully understand all elements of your GOTRAX Hoverkart. If these elements are not used correctly, you will not have full control of your GOTRAX Hoverkart. Before you ride fast, or outside of a controlled environment, learn the functions of the various mechanisms on your GOTRAX Hoverkart.

Practice using the elements of your GOTRAX Hoverkart at slower speeds in a flat, open area before taking the GOTRAX Hoverkart on public roads.

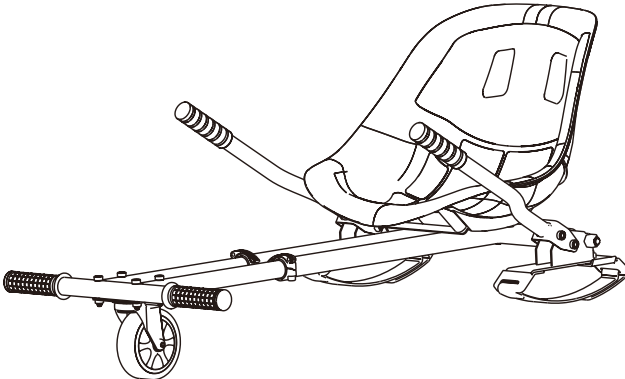
**WARNING:** Do not ride a GOTRAX Hoverkart with a part that is damaged: replace the damaged part before riding.



# Pre-ride Hoverkart Checklist

Ensure that your GOTRAX Hoverkart and scooter are in proper working order each and every time you ride. If a part of the GOTRAX Hoverkart does not function correctly, please contact our Customer Support Center.

- **Ensure your tire pressure** is at the suggested PSI level for your scooter before riding.
- **Ensure the battery of your scooter** is fully charged before riding your GOTRAX Hoverkart.
- **Ensure that the screws** on the GOTRAX Hoverkart are locked firmly before each ride.
- **Check to ensure** the tires of your scooter are not worn.
- **Check to ensure** all connections are maintained on your scooter.





# Safety Precautions

The first rule in safe riding is to use common sense. A GOTRAX Hoverkart is vulnerable. It cannot protect you in a crash, against impact, or loss of control the driving a car can. A GOTRAX Hoverkart can tip over sideways or pitch you over the front wheel . It moves faster than a typical scooter. It does not have bumpers or airbags as a car does. This section is a guide of safe riding practices for operation. Make sure you are using your GOTRAX Hoverkart properly.

Different localities and countries have different laws governing riding on public roads, and you should check with local officials to ensure you are complying with these laws.

GOTRAX Hoverkart is not liable for tickets or violations given to riders who do not follow these regulations.

- For your safety, always wear a helmet that meets CPSC or CE safety standards. In the event of an accident, a helmet can protect you from serious injury and in some cases, even death.
- Obey all local laws, stop signs, pedestrian crosswalks, etc.
- If riding with friends and multiple GOTRAX Hoverkarts, ride single file in a straight line.
- Have a satisfactory signaling device (bell, horn, etc) to warn drivers and pedestrians of your approach.
- Ride defensively, expect the unexpected.

- Give pedestrians the right-of-way.
- Do not ride too close to pedestrians and alert them if you intend to pass them from behind.
- Slow down at all street intersections and look to the left and right before crossing.
- Obey all traffic signals.
- Always use proper hand signals for turning and stopping. Give signals 100ft before stopping or turning and always return both hands to the handlebars before stopping or turning.
- Watch for cars pulling out into traffic and for the sudden opening of car doors.
- Avoid potholes, drainage gates or other hazards.
- Cross railroad tracks at a right angle.
- Be careful when riding on soft road edges, gravel, sand and uneven surfaces. Ride slowly and avoid quick turns when riding on these surfaces.
- Never hitch onto other vehicles.
- Do not "stunt" ride or race in traffic.
- Do not weave in and out of traffic or swerve from side to side.

- A crash can put extraordinary stress on GOTRAX Hoverkart components, possibly causing them to fatigue prematurely. Components suffering from stress fatigue can fall suddenly, causing loss of control or serious injury.

## **CAUTION: RIDING IN WET WEATHER**

Brakes do not work as well under wet conditions as they do when dry. It is recommended that you do not ride your GOTRAX Hoverkart in wet weather, as there are electronic components in your scooter that may be damaged if exposed to water.

1. This product is strictly forbidden to use on roads and highways, unless your local laws state otherwise. You must wear a safety helmet, knee and elbow pads and other necessary protective gear when riding your GOTRAX Hoverkart.
2. Due to the particularity of the product, the assembly pieces are to be checked before every ride to avoid an accident while riding.
3. Do not make sharp turns as you may drift and over-turn the GOTRAX Hoverkart, which can result in injury to yourself and/or damage the unit.
4. Do not operate near swimming pools or other bodies of water.





# Riding your Hoverkart

**WARNING:** To reduce the risk of injury, adult supervision is required. Never use in roadways, near motor vehicles, on or near steep inclines or steps, swimming pools or other bodies of water; always wear shoes, and never allow more than one rider.

Ensure your GOTRAX Hoverkart is fully assembled and correctly installed onto your scooter with all straps and screws secured in place. Ensure your scooter is properly maintained as well. Failure to do so may result in serious bodily harm or death and damage to the unit.

After reviewing the pre-ride checklist, follow the steps below to begin riding your GOTRAX Hoverkart.

1. Turn on your scooter.
2. Sit comfortably in the GOTRAX Hoverkart seat.
3. Place your feet onto the foot rests.
4. Firmly grip both handlebars and slowly push them downward simultaneously to move forward.
5. When riding, slowly pull both handlebars upwards simultaneously to brake.
6. To reverse, slowly pull both handlebars upwards simultaneously.
7. To turn right, push the right handlebar down while holding the left handlebar in neutral position.
8. To turn left, push the left handlebar down while holding the right handlebar in neutral position.

# Troubleshooting

We frequently update our user manuals at **GOTRAX.com**, and reserve the rights to update and change manuals online.

**Please contact our customer service team if you are experiencing problems or need more detailed information. They can be reached at GOTRAX.com**

# Warranty

For warranty information, please visit **GOTRAX.com**.



WWW.GOTRAX.COM

#RideGOTRAX





# **GOLABS, INC**

GOTRAX.com  
2201 Luna Rd.  
Carrollton, TX 75006