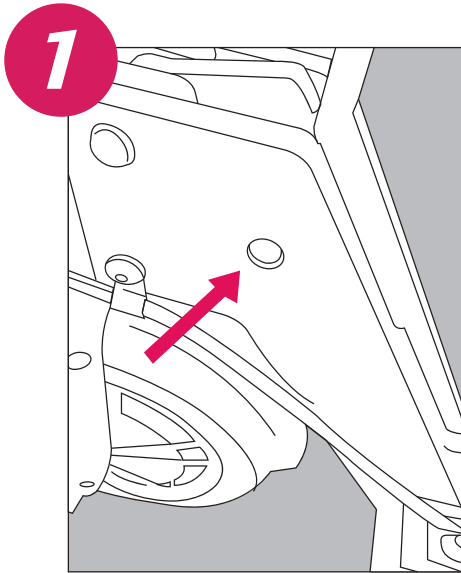


SECURING THE SAFETY PIN

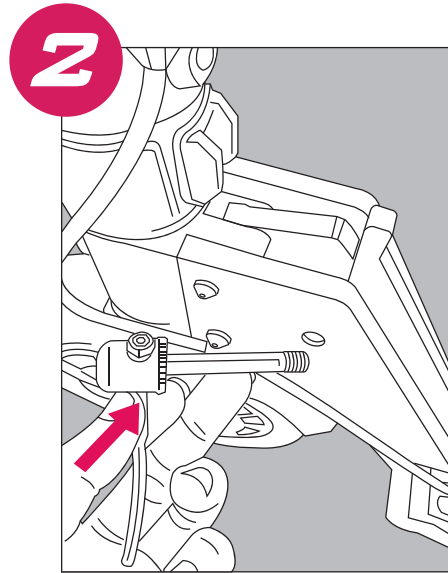
GO TRAX GXL

HANDBRAKE EDITION

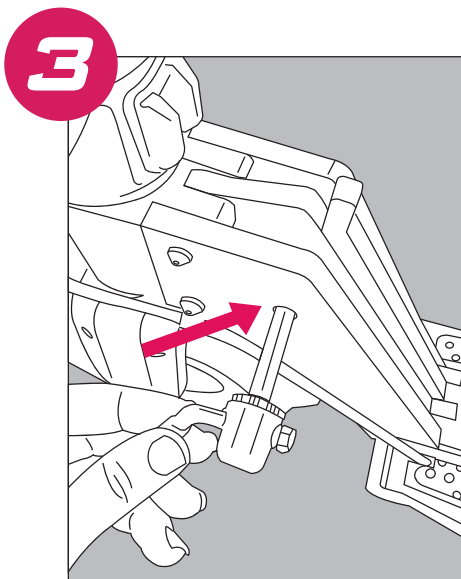
The Safety Pin secures the GXL scooter in the riding position.



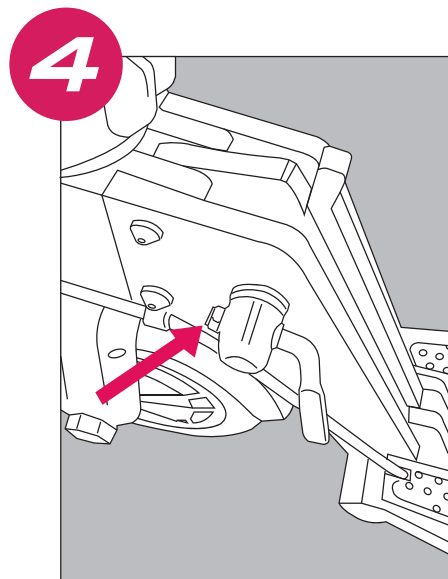
The hole is located next to the red lever on the bottom of the scooter.



Arrow points to the Safety Pin (pictured).



Insert the Safety Pin.



Twist the Safety Pin into the hole and secure it. Make sure it twists firmly in place.