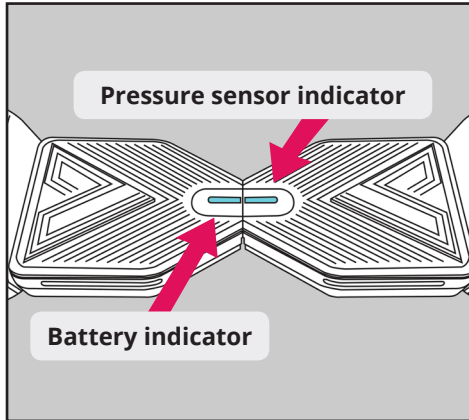


GO TRAX

SRX Pro Lights and Beeping Sounds Meaning

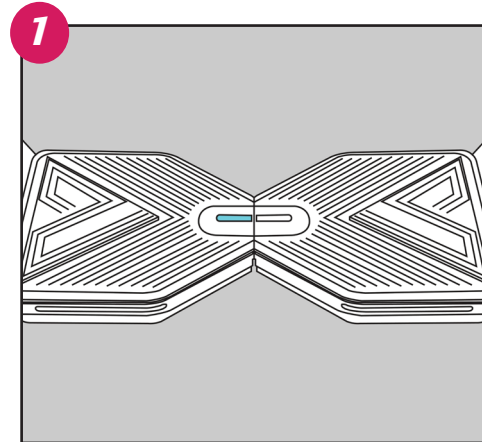


COLOR CODE:

Blue light: The board has charge in it or is juiced up

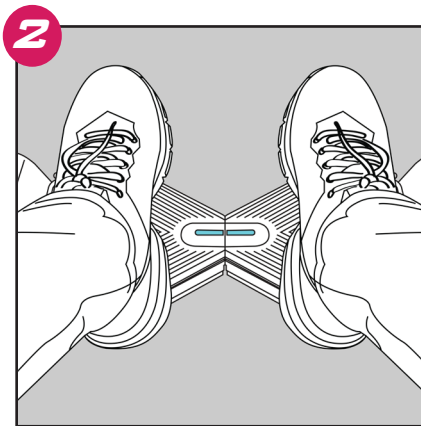
Red light: The board needs to be charged at the earliest and is running out of power. It will blink and make a beeping noise

Orange light: The board is charging. It will only blink when the board is powered ON. The board cannot function while charging



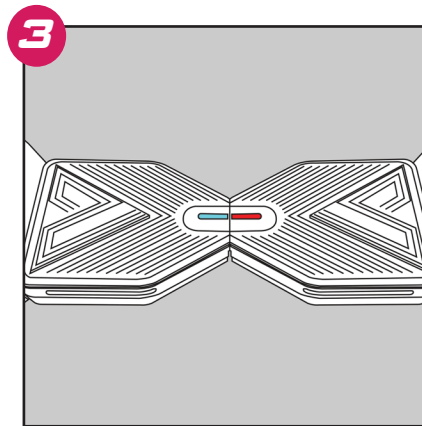
CASE 1:

When there is no pressure on the rubber pads and the hoverboard is turned on, the indicator light will not glow



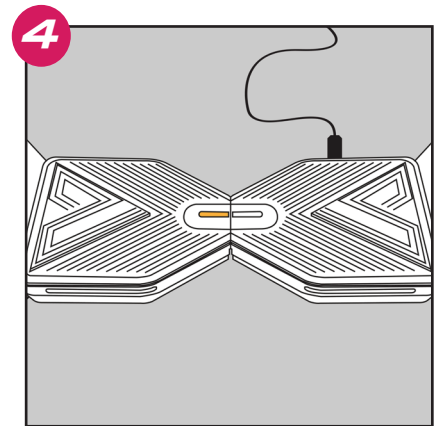
CASE 2:

When there is pressure/weight on both of the rubber pads, both the light indicators will glow blue



CASE 3:

The sensor indicator light will turn red and start beeping when the board is turned all the way around or partial pressure is applied



CASE 4:

The battery indicator light will blink orange when the SRX Pro is switched on while charging