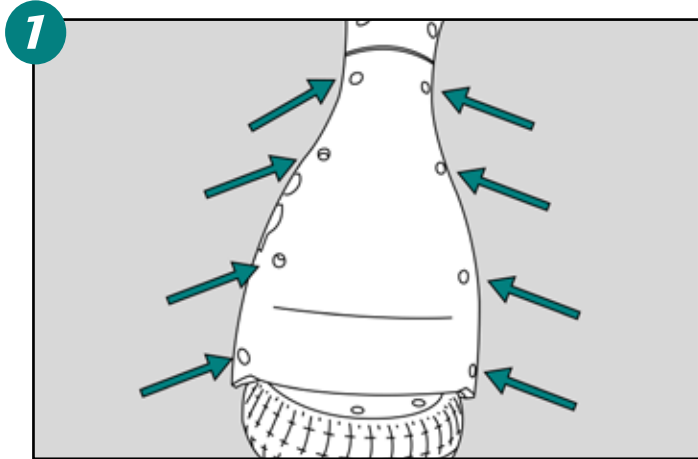
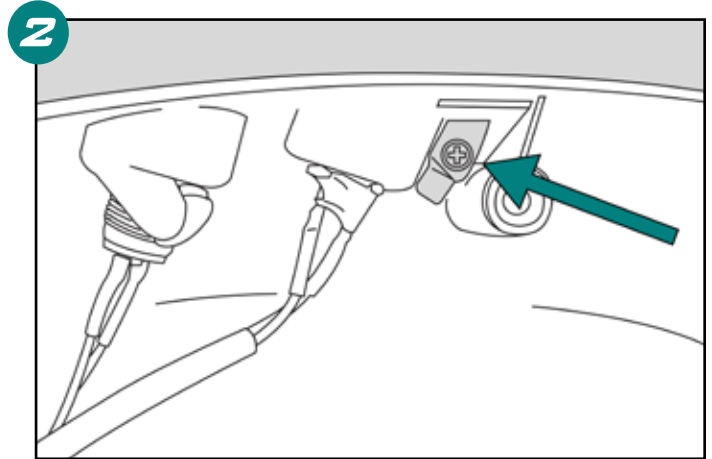


GOTRAX

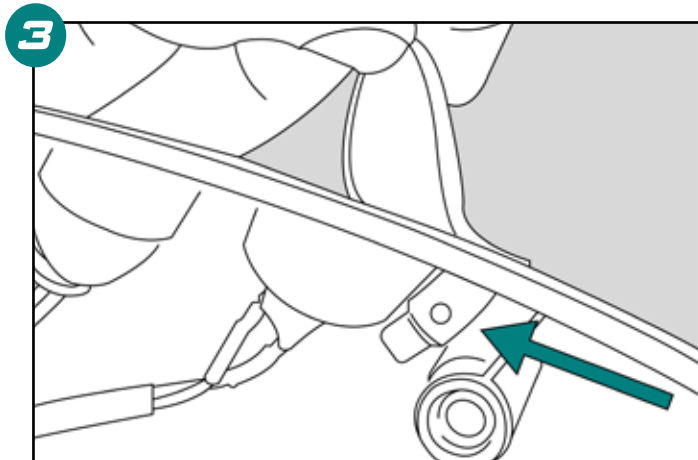
Replacing the Rubber Charging Port Cover



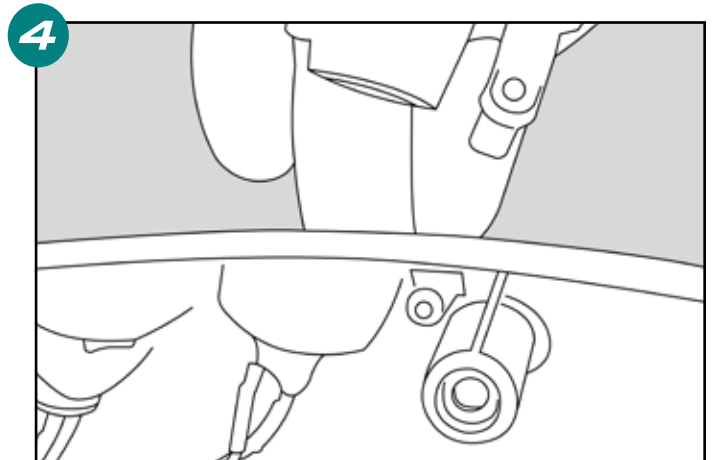
STEP 1: Remove the (8) Outlining screws from the underside.



STEP 2: Flip the cover over to reveal the rubber port cover and a small screw. Remove the screw and store it in a safe place.



STEP 3: Remove the black rubber and store it in a safe place.



STEP 4: Remove and replace.