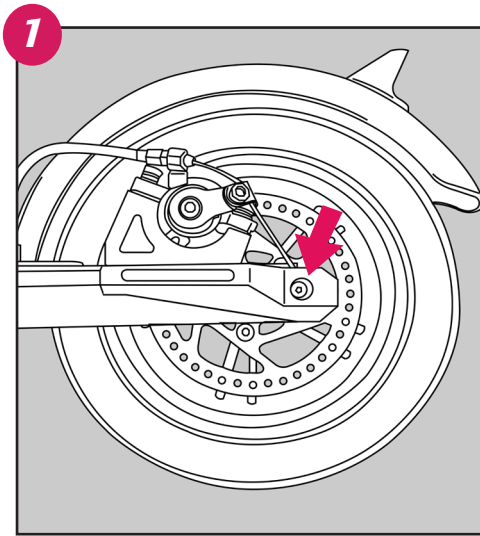
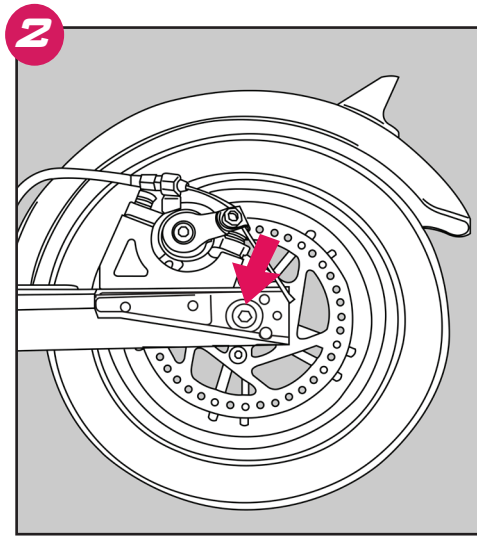


GO TRAX

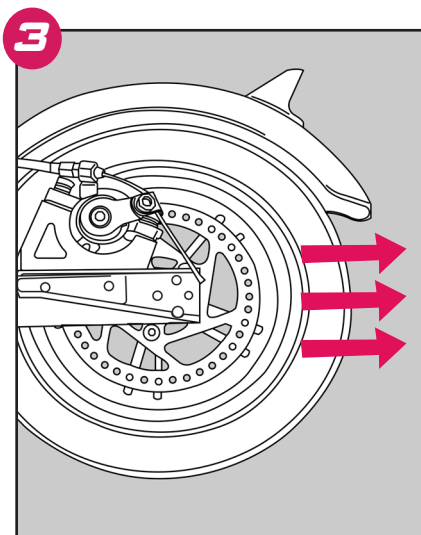
Tire Changing Procedure for GXL



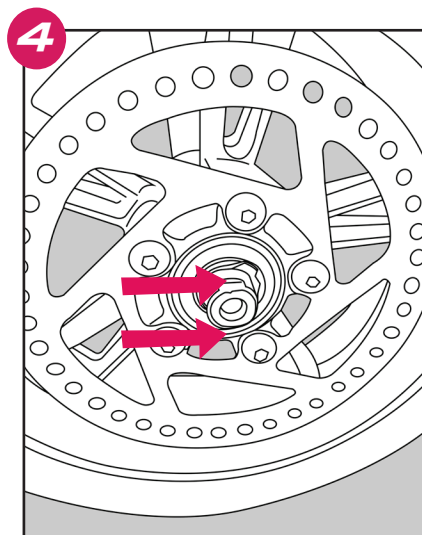
Use an Allen key size 2.5 to open this screw



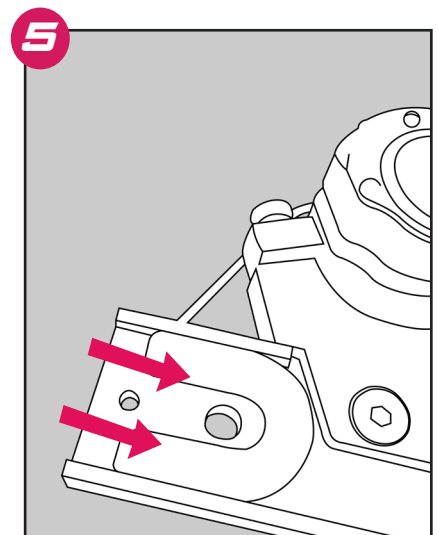
Use an Allen key size 5 to open this screw



Pull the tire off and replace it with the new tire or to change the tube



To put the tire back on, push the axle in the direction shown in the next step



Make sure to put the axle in the axle lock in this direction