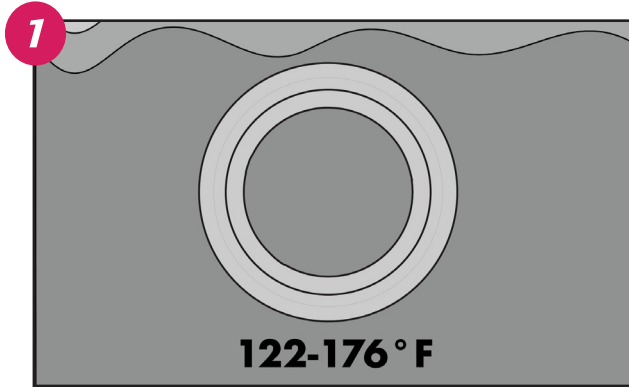
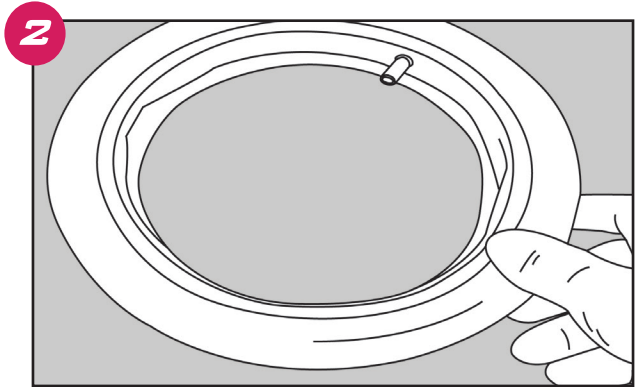


GO TRAX

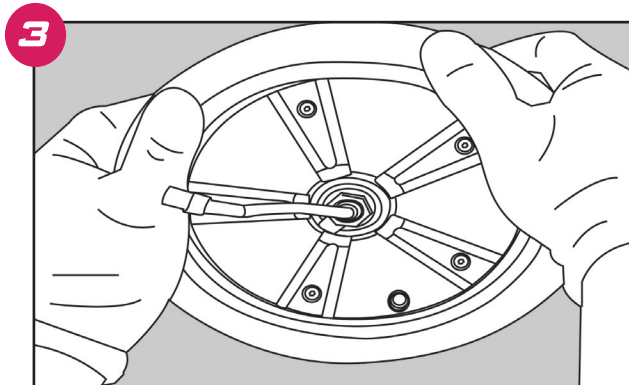
Installing the Innertube



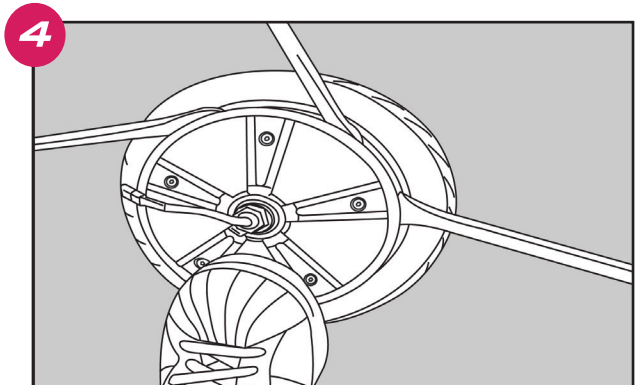
STEP 1: Soak tire in hot water for 5-10 minutes to make it softer and easier to install. Immerse tire completely.



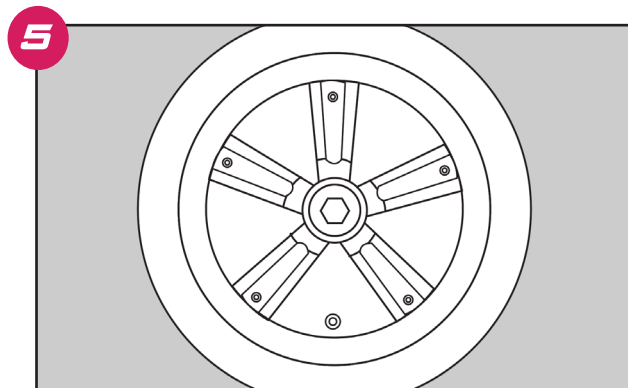
STEP 2: When the tire is soft enough, insert the inner tube into the tire.



STEP 3: Press the tire onto the rim.



STEP 4: Hold the tire secure with your foot, use a tire lever to press the whole tire onto the rim.



STEP 5: Let the tire sit for about an hour until the tire is completely cooled before riding.