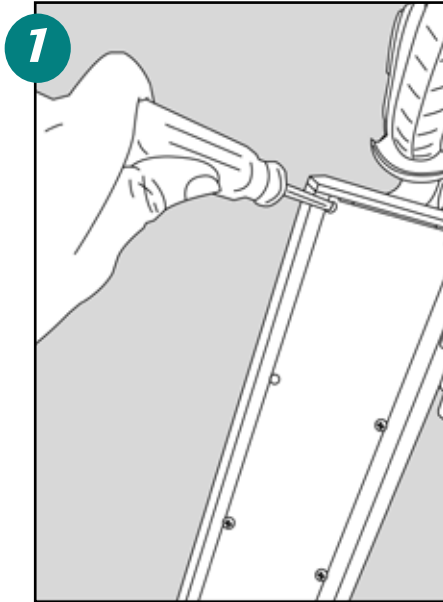
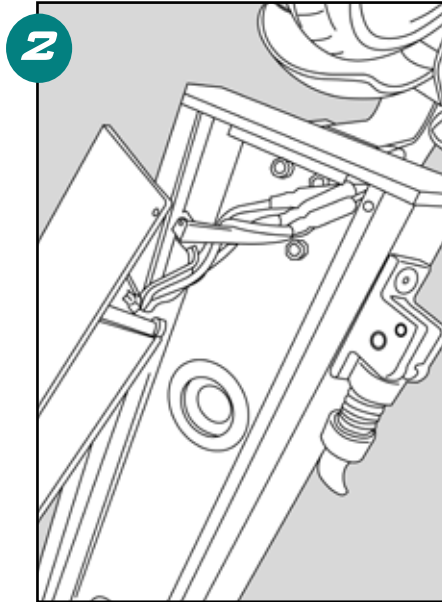


GOTRAX

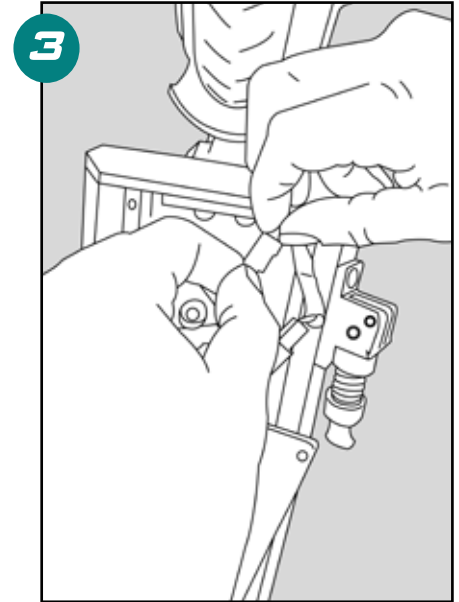
Replacing the GKS Scooter Battery and Circuit Board



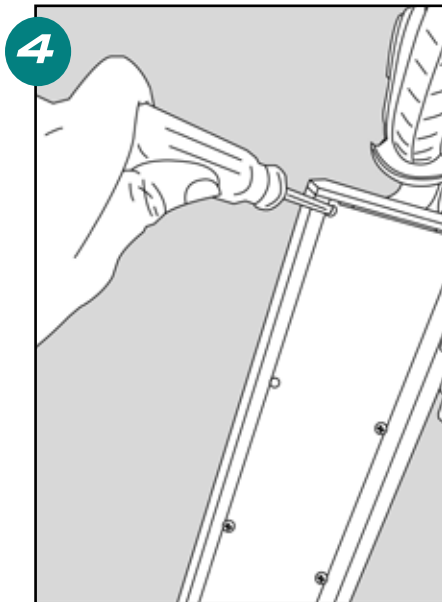
STEP 1: Flip product over and remove the (8) outer screws.



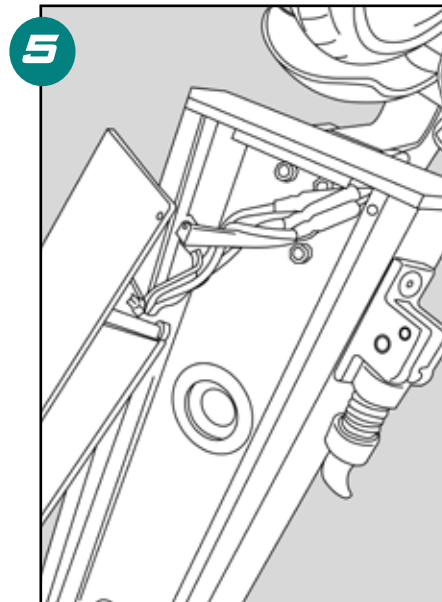
STEP 2: Open the bottom battery cover.



STEP 3: Disconnect the wires.



STEP 4: Remove the old battery.



STEP 5: Add the new battery and close base again with the (8) screws.