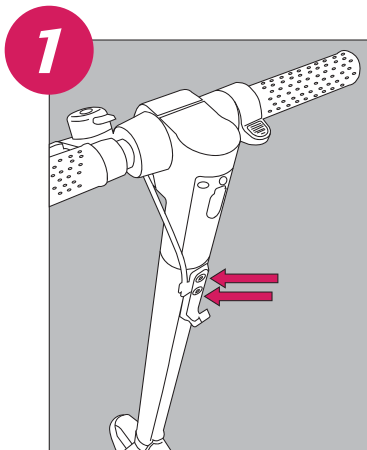


# REPLACING THE BATTERY

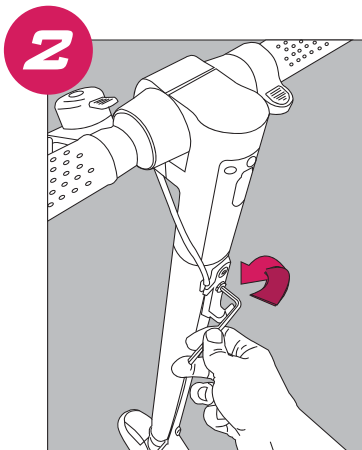
# **GO TRAX GXL**

## **HANDBRAKE EDITION**

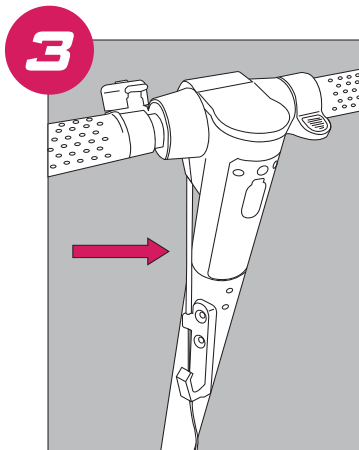
Follow the same procedure in reverse to re-assemble scooter.



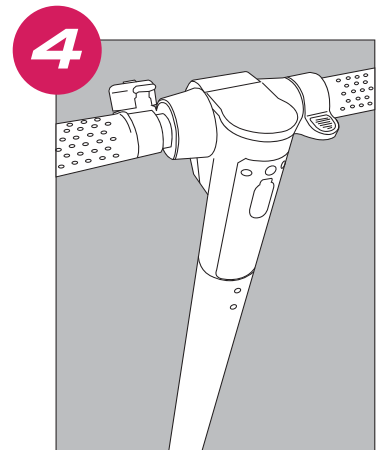
Remove the hex screws located at the tiller using a size 4 Allen wrench.



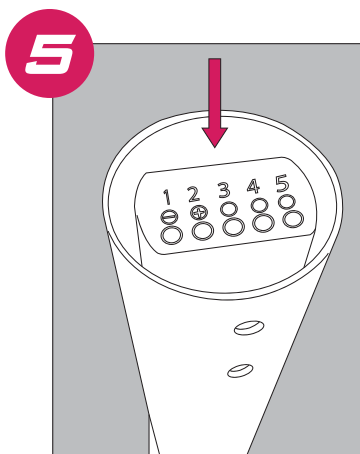
Rotate the Allen wrench in counter-clockwise direction remove the screws as shown



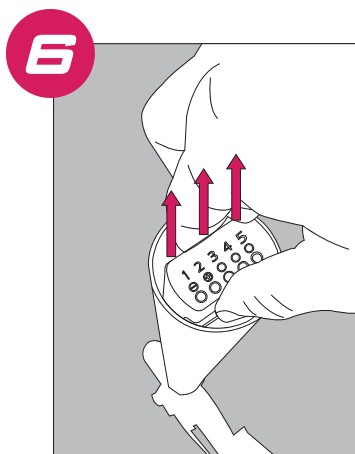
After removing both the screws it would look something like this.



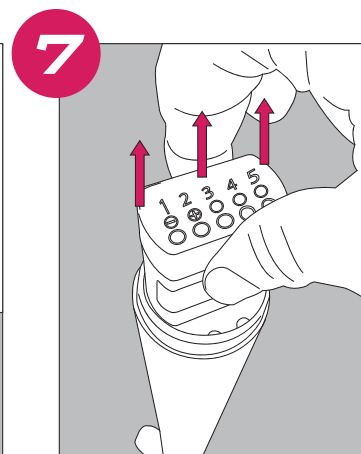
Remove the brake wire from console as marked in previous figure.



Take the console off from tiller. You will now see the battery.



Remove the battery using your fingers and pull it up.



Pull the battery out completely and replace it with a new one.