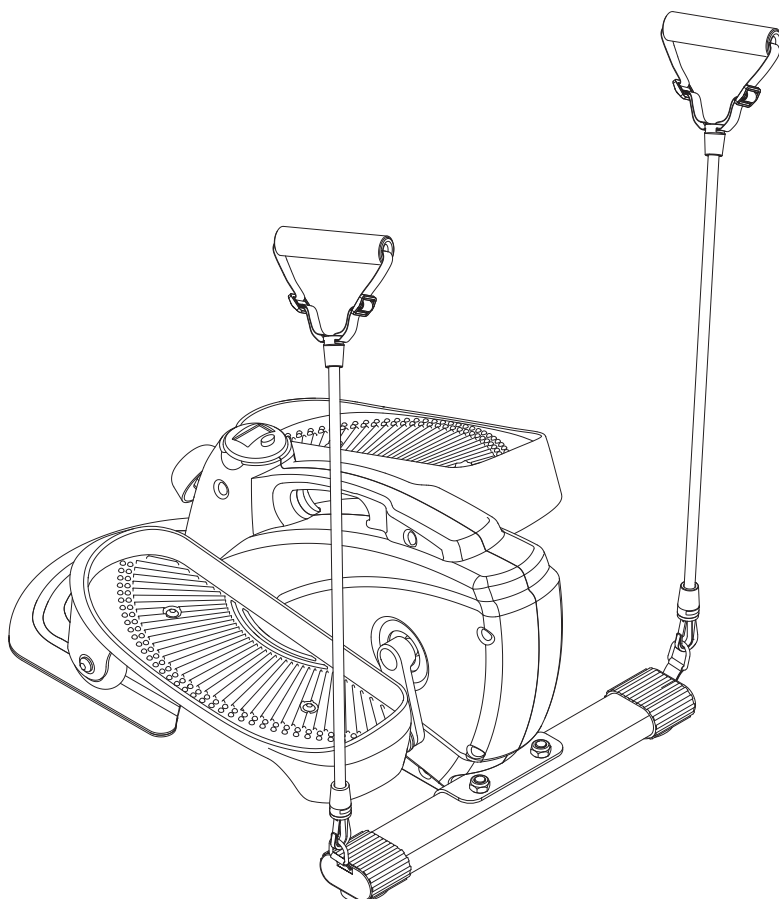




STAMINA®



Product May Vary Slightly From Pictured.

CAUTION:

Weight on this product should not exceed 250 lbs.

This Product is Distributed Exclusively by



2040 N Alliance Ave, Springfield, MO 65803

Customer Care

1 (800) 375-7520

www.staminaproducts.com

Owner's Manual

⚠ WARNING ⚠

Exercise can present a health risk. Consult a physician before beginning any exercise program with this equipment. If you feel faint or dizzy, immediately discontinue use of this equipment. Serious bodily injury can occur if this equipment is not assembled and used correctly. Serious bodily injury can also occur if all instructions are not followed. Keep others and pets away from equipment when in use. Always make sure all bolts and nuts are securely tightened prior to each use. Follow all safety instructions in this manual.

When calling for parts or service, please specify the following numbers:

Model#: 55-1621D

S/N: _____

**STAMINA PRODUCTS
MADE IN CHINA**

© 2021 Stamina Products, Inc.
2021, 01

müüv

Quickstart Guide

IMPORTANT

Smart Audio Workouts for Your Strider



Go to the App Store on your device or scan the QR Code for quick access.



Download the app and get moving!

Assembly video included in app.

TABLE OF CONTENTS

Safety Instructions	3	Maintenance	13
Before You Begin	5	Conditioning Guidelines	14
Equipment Warning, Caution & Notice Labels ...	6	Warm-Up and Cool-Down	15
Hardware Identification Chart	7	Product Parts Drawing	16
Assembly Instructions	8	Parts List	17
Set Up Instructions	9	Warranty	19
Operational Instructions	10	Notes	20
Storage	13	Fax/Mail Ordering Form	22

SAFETY INSTRUCTIONS

⚠ WARNING Cancer and Reproductive Harm www.P65Warnings.ca.gov

⚠ WARNING Consult your physician before starting this or any exercise program. This is especially important if you are over the age of 35, have never exercised before, are pregnant, or suffer from any health problem. This product is for home use only. Do not use in institutional or commercial applications. Failure to follow all warnings and instructions could result in serious injury or death.

⚠ WARNING The Resistance Tubes(69) contain natural rubber latex which may cause allergic reactions.

⚠ WARNING To reduce the risk of serious injury, read the following Safety Instructions before using the InMotion® E3000 Compact Strider.

1. Save these instructions and ensure that other exercisers read this manual prior to using the **InMotion® E3000 Compact Strider** for the first time.
2. Read all warnings and cautions posted on the **InMotion® E3000 Compact Strider**.
3. The **InMotion® E3000 Compact Strider** should only be used after a thorough review of the Owner's Manual. Make sure that it is properly assembled and tightened before use.
4. We recommend that two people be available for assembly of this product.
5. Keep children away from the **InMotion® E3000 Compact Strider**. Do not allow children to use or play on the **InMotion® E3000 Compact Strider**. Keep children and pets away from the **InMotion® E3000 Compact Strider** when it is in use.
6. Inspect the Resistance Tubes(69) for nicks and cuts before each use. Do not use Resistance Tubes(69) that are nicked or cut.
7. It is recommended that you place this exercise equipment on an equipment mat.
8. Set up and operate the **InMotion® E3000 Compact Strider** on a solid level surface. Do not position the **InMotion® E3000 Compact Strider** on loose rugs or uneven surfaces.
9. Make sure that adequate space is available for access to and around the **InMotion® E3000 Compact Strider**.
10. Before using, inspect the **InMotion® E3000 Compact Strider** for worn or loose components, and securely tighten or replace any worn or loose components prior to use.
11. Consult a physician prior to commencing an exercise program. If, at any time during exercise, you feel faint, dizzy, or experience pain, stop and consult your physician.
12. Follow your physician's recommendations in developing your own personal fitness program.
13. Always choose the workout which best fits your physical strength, flexibility and balance levels. Know your limits and train within them. Always use common sense when exercising.
14. Do not wear loose or dangling clothing while using the **InMotion® E3000 Compact Strider**.
15. Never exercise in bare feet or socks; always wear correct footwear, such as running, walking, or crosstraining shoes. Be sure that they fit well, provide foot support and feature non-skid rubber soles.
16. Be careful to maintain your balance while using, mounting, dismounting, or assembling the **InMotion® E3000 Compact Strider**. Loss of balance may result in a fall and serious bodily injury.
17. To maintain your balance, always mount or dismount the **InMotion® E3000 Compact Strider** from the lowest foot pedal. Refer to the detail instructions on page 12.
18. Keep both feet firmly and securely on the pedal caps while exercising.
19. This unit is not equipped with a free-wheel. Pedal speed should be reduced in a controlled manner.
20. The **InMotion® E3000 Compact Strider** should not be used by persons weighing over 250 pounds.
21. The **InMotion® E3000 Compact Strider** should be used by only one person at a time.
22. The **InMotion® E3000 Compact Strider** is for consumer use only. It is not for use in public or commercial settings.

EXTEND YOUR PARTS WARRANTY TO 180 DAYS FROM THE DATE OF PURCHASE. REGISTER YOUR PRODUCT.



**NEED HELP?
CONTACT US FIRST
1 (800) 375-7520
customer.care@staminaproducts.com**

Hi! From all of us here at Stamina Products, thank you for your purchase. We know that you have big fitness goals in mind and we are here to help you along. Call us, email us, or send us a message on Facebook. Be sure to contact us if you have any questions on your new product. We look forward to hearing from you!

With your body in mind,
Stamina Customer Care

To enact your extended warranty and to help us better serve you, please go online and register your new product.

register.staminaproducts.com

It is quick and easy to register online, but if you're a little old school or just need a reason to raise that little flag on your mailbox, fill out the info on the last page of this manual and mail it in.



ONLINE

customer.care@staminaproducts.com
www.staminaproducts.com



TELEPHONE

1 (800) 375-7520



FAX

(417) 889-8064



MAIL

Stamina Products, Inc.
ATTN: Customer Care
2040 N Alliance Ave
Springfield, MO 65803

 facebook.com/StaminaProducts
facebook.com/AeroPilates

CUSTOMER CARE HOURS:
Monday-Thursday, 7:30 AM-5:00 PM, Central Time
Friday, 8:00 AM-3:00 PM, Central Time

BEFORE YOU BEGIN

Thank you for choosing the **InMotion® E3000 Compact Strider**. We take great pride in this quality product and hope it will provide many hours of quality exercise to make you feel better, look better, and enjoy life to its fullest.

It's a proven fact that a regular exercise program can improve your physical and mental health. Too often, our busy lifestyles limit our time and opportunity to exercise. The **InMotion® E3000 Compact Strider** provides a convenient and simple method to begin your journey of getting your body in shape and achieving a happier and healthier lifestyle.

Before reading further, please review the drawing below and familiarize yourself with the parts that are labeled. Locate the serial decal on the product and write the serial number on the cover of the manual in the space provided. See page 6 for an image of the serial decal. Model

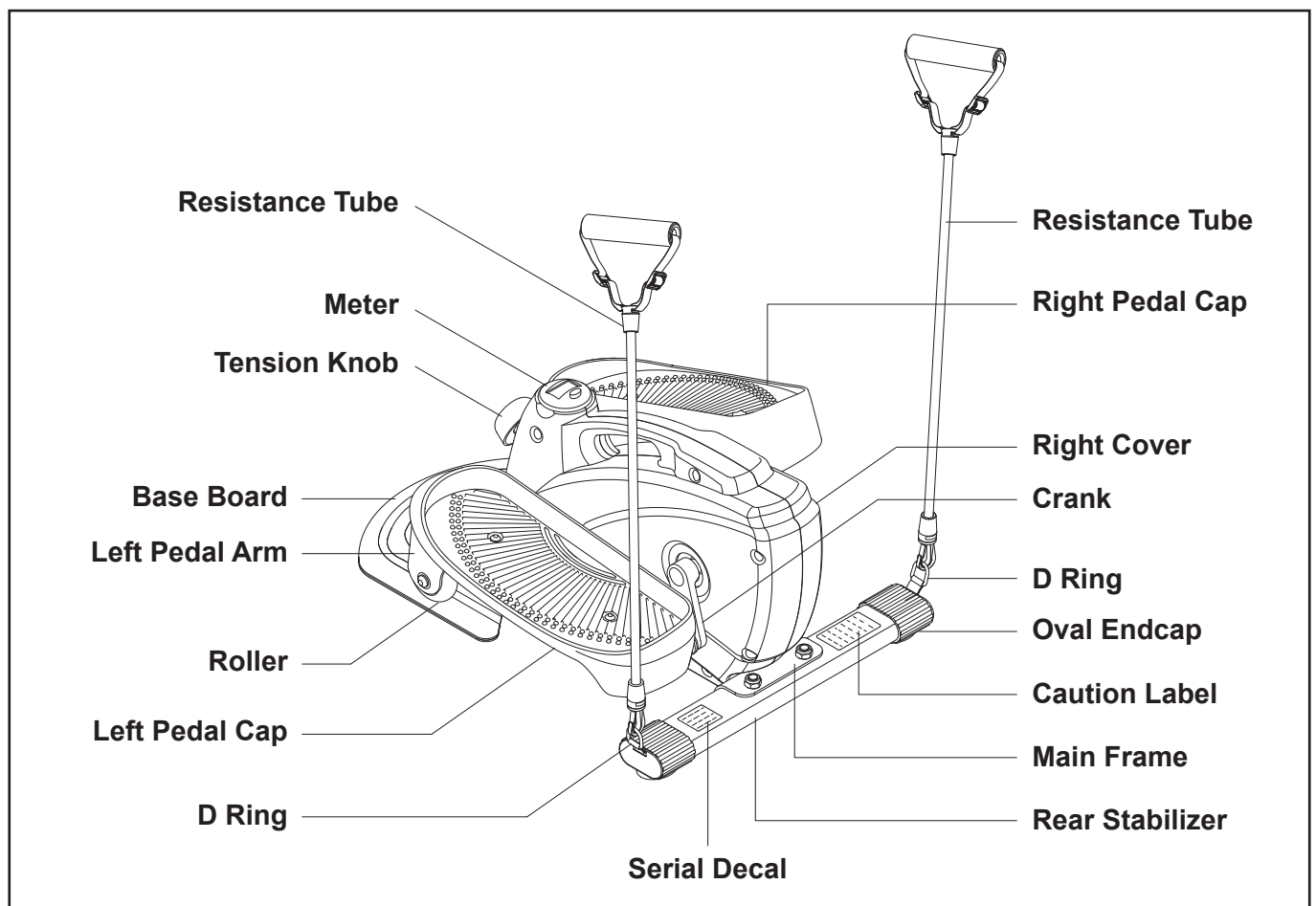
number and serial number are required when calling for assistance.

Read this manual carefully before using the **InMotion® E3000 Compact Strider**.

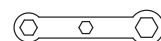
Providing you with a quality product is Stamina's top priority. However, sometimes there could be a missing or incorrectly sized part. If you have any questions or problems with the parts included with your **InMotion® E3000 Compact Strider**, please do not return the product. Contact us **FIRST!**

If a part is missing or defective, please contact Customer Care for assistance. Call us toll free at 1-800-375-7520 (in the U.S.) or live chat on staminaproducts.com. Our Customer Care Staff is available to assist you from 7:30 A.M. to 5:00 P.M. (Central Time) Monday through Thursday and 8:00 A.M. to 3:00 P.M. (Central Time) on Friday.

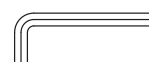
Be sure to have the name and model number of the product available when you contact us.



THE FOLLOWING TOOLS ARE INCLUDED FOR ASSEMBLY:



Wrench

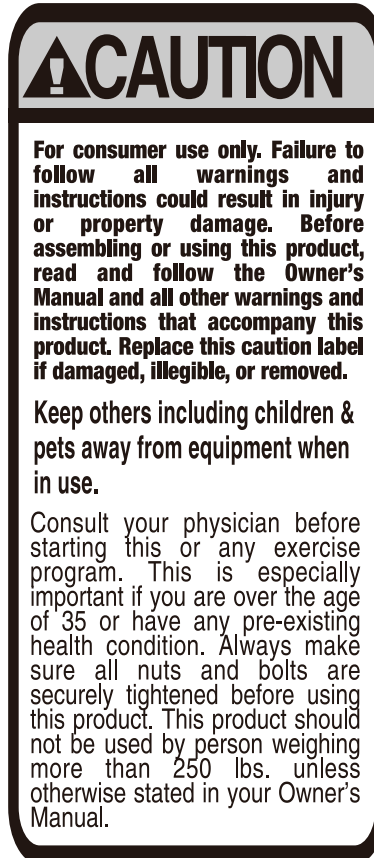


Allen Wrench (6mm)

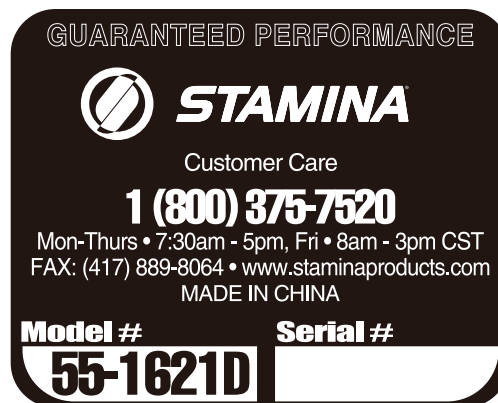
EQUIPMENT WARNING, CAUTION & NOTICE LABELS

This chart is provided to help identify the warning, caution, and notice labels on the **InMotion® E3000 Compact Strider**. Please take a moment to familiarize yourself with all of the warning, caution, and notice labels.

CAUTION LABEL(55)



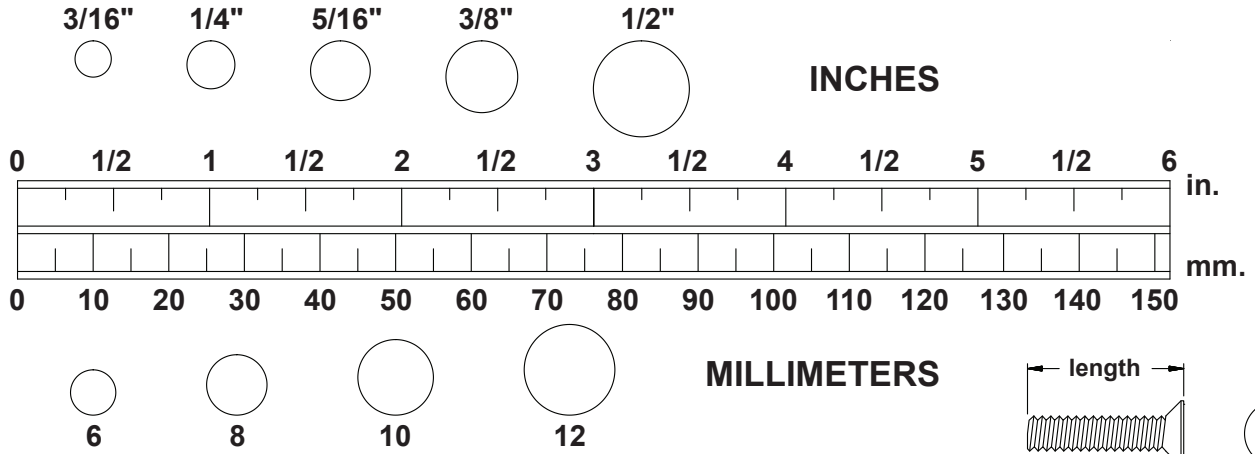
SERIAL DECAL(79)



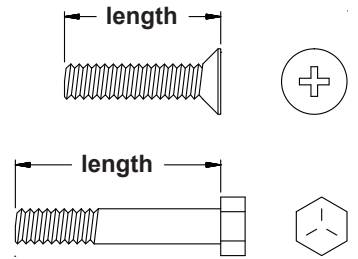
To best serve you, our Customer Care Representatives will need your serial number. For quick access, write in your serial number on the cover of the manual.

HARDWARE IDENTIFICATION CHART

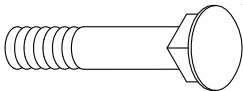
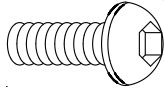
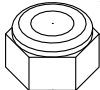
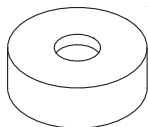
This chart is provided to help identify the hardware used in the assembly process. Place the washers or the ends of the bolts or screws on the circles to check for the correct diameter. Use the small scale to check the length of the bolts and screws.



NOTICE: The length of all bolts and screws, except those with flat heads, is measured from below the head to the end of the bolt or screw. Flat head bolts and screws are measured from the top of the head to the end of the bolt or screw.



After unpacking the unit, open the hardware bag and make sure that you have all the following items. Some hardware may be already attached to the part.

	Part Number and Description	Qty
	42 Carriage Bolt (M10 x 1.5 x 43mm)	2
	45 Bolt, Button Head (M8 x 1.25 x 20mm)	4
	59 Bolt, Button Head (M8 x 1.25 x 16mm)	2
	51 Nylock Nut (M10 x 1.5)	2
	40 Stand	2

ASSEMBLY INSTRUCTIONS

Place all parts from the box in a cleared area and position them on the floor in front of you. Remove all packing materials from your area and place them back into the box. Do not dispose of the packing materials until assembly is completed. Read each step carefully before beginning. If you are missing a part, please go to staminaproducts.com under the Customer Care section and order the part needed, e-mail us at customer.care@staminaproducts.com, or call us toll free at 1-800-375-7520 (in the U.S.). Our Customer Care Staff is available to assist you from 7:30 A.M. to 5:00 P.M. (Central Time) Monday through Thursday and 8:00 A.M. to 3:00 P.M. (Central Time) on Friday.

Some product parts are fit tested at the factory to ensure proper fit and alignment. Marks in the paint may be noticeable, but are not an indication of damage.

STEP 1: Attach the **REAR STABILIZER(2)** to the **MAIN FRAME(1)** with **CARRIAGE BOLTS(M10x1.5x43mm)(42)** and **NYLOCK NUTS(M10x1.5)(51)**.

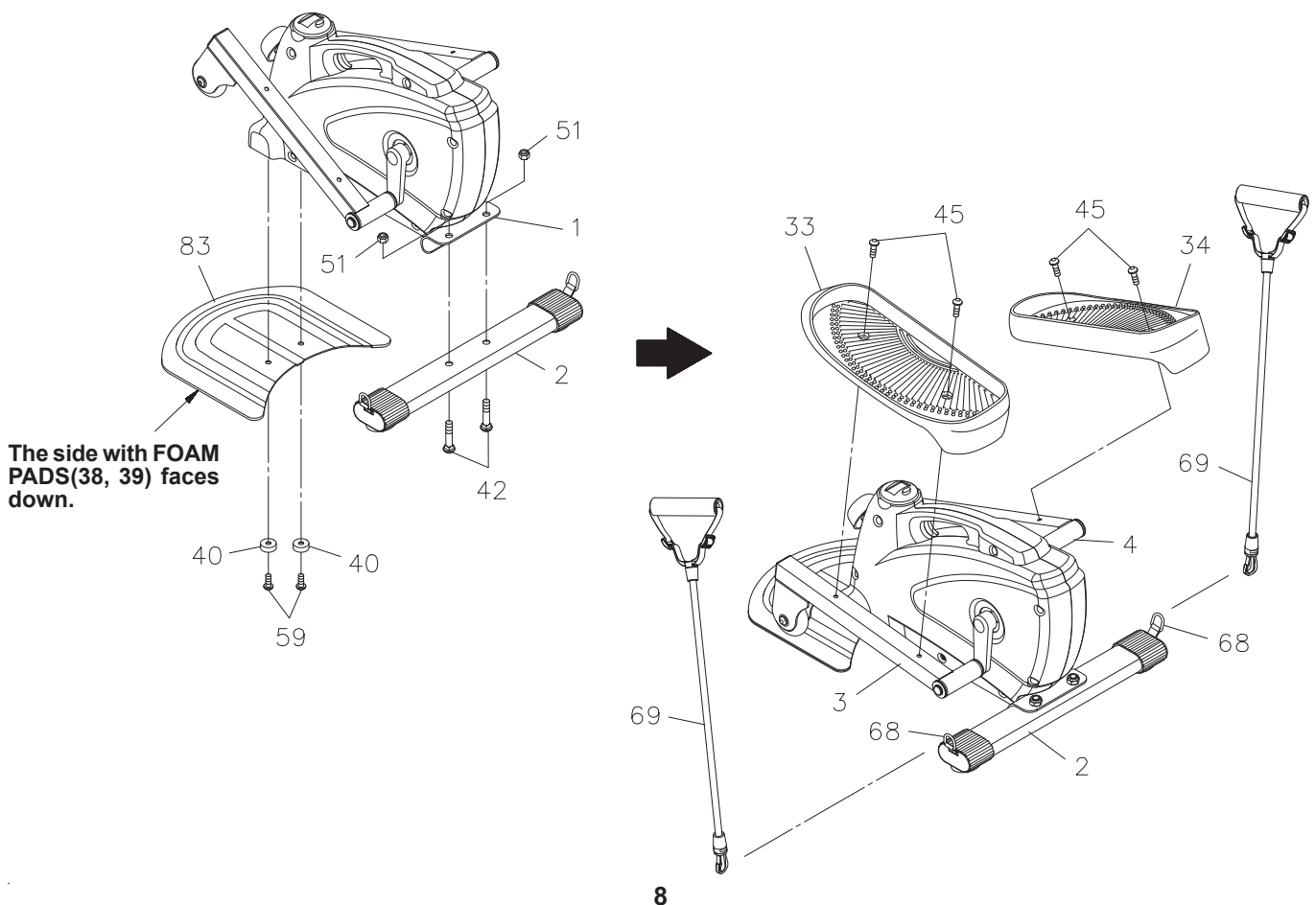
STEP 2: Attach the **BASE BOARD(83)** to the **MAIN FRAME(1)** with the **STANDS(40)** and **BUTTON HEAD BOLTS(M8x1.25x16mm)(59)**.

NOTE: Make sure the **BASE BOARD(83)** is assembled with the **FOAM PADS(38, 39)** on the bottom.

STEP 3: Attach the **LEFT PEDAL CAP(33)** to the **LEFT PEDAL ARM(3)** with **BUTTON HEAD BOLTS(M8x1.25x20mm)(45)**. Repeat on the other side.

NOTE: The **LEFT** and **RIGHT PEDAL CAPS(33, 34)** have a raised lip on three sides. Attach the **LEFT** and **RIGHT PEDAL CAPS(33, 34)** to the **LEFT** and **RIGHT PEDAL ARMS(3, 4)** so that the side without the raised lip is on the outside.

STEP 4: Refer to the illustration below. Hook the **RESISTANCE TUBES(69)** to the **D RINGS(68)** on both sides.

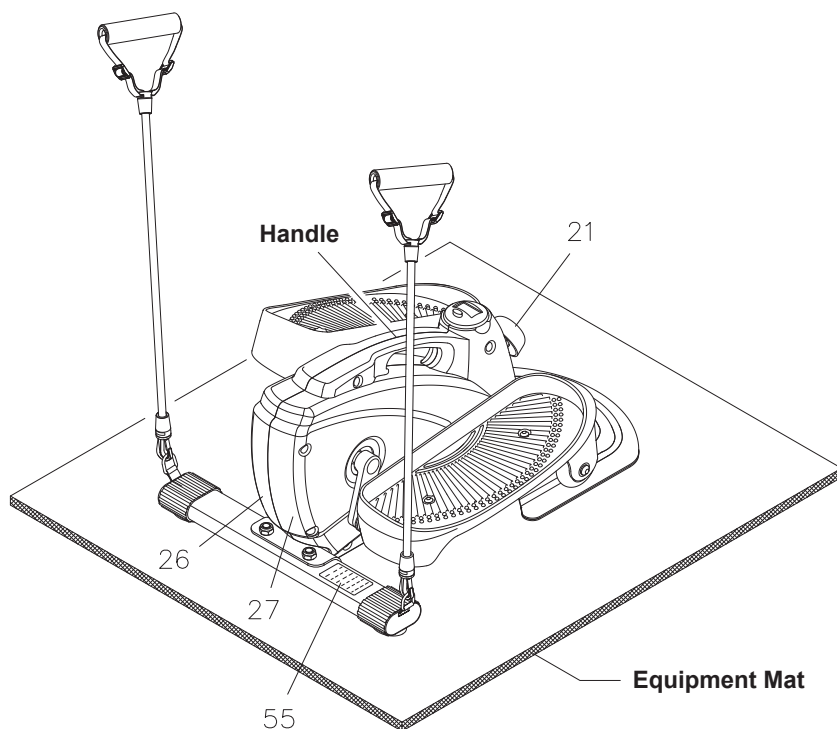


SET UP INSTRUCTIONS

Place the **InMotion® E3000 Compact Strider** in the area where it will be used. It is recommended that the **InMotion® E3000 Compact Strider** be placed on an equipment mat. The **InMotion® E3000 Compact Strider** is approximately 24.3 inches long x 17.5 inches wide x 11.4 inches tall. (These dimensions may vary up to one inch.) Make sure that adequate space is available for access to move around and emergency dismount from the **InMotion® E3000 Compact Strider**. A minimum of 20 inches on at least one side and 20 inches either behind or in front of the **InMotion® E3000 Compact Strider** is required for safe operation.

LEVELING: Adjust the location of **InMotion® E3000 Compact Strider** to ensure **InMotion® E3000 Compact Strider** sits on the floor without rocking.

MOVING: Grasp the handle on the top of the product to move the **InMotion® E3000 Compact Strider**. Do not use the **PEDAL ARMS(3,4)** to move the **InMotion® E3000 Compact Strider**. The **PEDAL ARMS(3,4)** will move and may pinch your hand or fingers.



FUNCTION INSPECTION:

Visually inspect the **InMotion® E3000 Compact Strider** to verify that assembly is as shown in the above illustration. Check the function of the **InMotion® E3000 Compact Strider**. If you have good balance and are familiar with the **InMotion® E3000 Compact Strider**, stand on the foot pedals. If you do not have good balance, sit in a chair and place feet on the foot pedals. Slowly move your highest foot forward and follow the natural path of the machine. Turn the crank slowly through one complete revolution to verify that the drive train functions properly. Adjust the **TENSION KNOB(21)** and verify that the resistance changes.

CAUTION: Locate and read the **WARNING LABEL(55)** on the **InMotion® E3000 Compact Strider**. Make sure that all users read the **WARNING LABEL(55)**.

OPERATIONAL INSTRUCTIONS

USING THE FITNESS METER

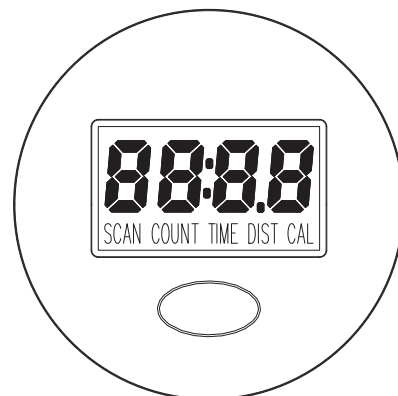
POWER ON: Pedal movement or press the button.

POWER OFF: Automatically shuts off after four minutes of inactivity.

FUNCTION BUTTON:

Press and release to select functions.

Press and hold for four seconds to reset all functions to zero.



FUNCTIONS:

SCAN: Automatically scans **COUNT, TIME, CALORIES,** and **DISTANCE** in sequence with a change every six seconds. Press and release the button until “**SCAN**” appears on the display.

COUNT: Displays the total number of strides you have taken from zero to 9999 strides.

TIME: Displays the time from one second up to 99:59 minutes.

CALORIES: Displays the calorie burned from zero to 9999 Kcal.

The calorie readout is an estimate for an average user. It should be used only as a comparison between workouts on this unit.

DISTANCE: Displays the distance from zero to 999.9 miles.

NOTE: The meter will shut off automatically after four minutes of inactivity. All function values will be kept. Press the button and hold it down for four seconds to reset all functions to zero.

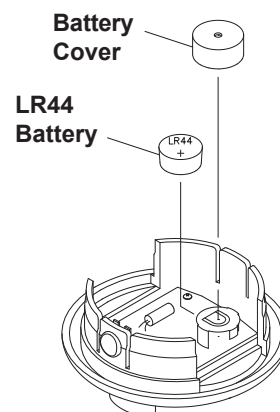
BATTERY

The meter operates with a 1.5v LR44 button cell battery. Replace the battery when you see inconsistencies in the display.

HOW TO INSTALL AND REPLACE BATTERY:

1. Remove the METER(22) from the **InMotion® E3000 Compact Strider**. Unplug the SENSOR WIRE(23). Place the METER(22) up-side down as shown in the illustration.
2. Refer to the illustration. Remove the Battery Cover, and then slide out the old battery.
3. The meter operates with one 1.5v LR44 button cell battery. Install a new button cell battery and cover with the Battery Cover. Assemble the METER(22) back to the **InMotion® E3000 Compact Strider**.

- NOTE:**
1. **Ultimate disposal of battery should be handled according to all state and federal laws and regulations.**
 2. **Do not dispose of batteries in fire.**



OPERATIONAL INSTRUCTIONS

USING THE RESISTANCE TUBES

The InMotion® E3000 Compact Strider includes two **RESISTANCE TUBES(69)**. These **RESISTANCE TUBES(69)** add upper body toning to your cardiovascular workout. The resistance tubes can be used during your elliptical workout either while standing or while seated. The length of the adjustable hand grips can be adjusted by moving the buckles to other positions.

RESISTANCE TUBE SAFE PRODUCT USAGE:

- Do not use Resistance Tube for anything other than the intended purpose as demonstrated in the exercise chart or workout DVD. NEVER stretch the Resistance Tube more than two times the band length. Overstretching the Resistance Tube can cause the tube to separate from the handle resulting in serious injury to your eyes and/or other body parts.
- It is the responsibility of the owner to ensure that all users of this product are adequately informed of all precautions. User assumes the risk when using this product. Manufacturer/distributor shall not be held liable for any injury or damage that may occur while using Resistance Tube.
- Never pull the Resistance Tube toward your face or head. As with any other resistance tube, always use extreme caution to protect your eyes when using the resistance/stretch bands. You may wish to wear protective eyewear such as safety goggles to prevent serious damage if you lose your grip on the handles or the resistance tube breaks, snaps, or recoils.
- The Resistance Tube is not a toy. Do not allow children or pets to use or play with the Resistance Tube. Keep all children and pets away from the Resistance Tube during use.
- Because the Resistance Tube has elastic properties, bands may snap toward you if they break during use or are released while under stress. This can result in serious injury to your eyes and/or other body parts.
- Use the Resistance Tube ONLY for the intended use as described by the manufacturer. DO NOT modify the Resistance Tube/Stretch Band or use attachments not recommended by the manufacturer. Misuse or abuse of the Resistance Tube may cause damage to the product and/or result in serious bodily injury.
- Always use the Resistance Tube in an open area free of furniture or other items that could get in the way while exercising.
- Before using the Resistance Tube, remove all objects from your body and clothing that could puncture the Resistance Tube. For example, remove all jewelry (rings, watches, etc...) clothing with pins, belts, and items in pockets (keys, pens, pencils, etc...).
- It is extremely important that you examine the Resistance Tube before each use. Closely examine the bands for nicks, tears, punctures and other flaws. If you find any flaws, do not use the product.
- Always use smooth, controlled movements and never release the Resistance Tube while they are under tension.
- The Resistance Tube should only be used indoors – the Resistance Tube is not intended for outdoor use.
- Never use the Resistance Tube with wet or greasy hands. Grip the Resistance Tube securely to prevent it from slipping out of your hands. Losing your grip can cause the Resistance Tube to snap resulting in serious injury to your eyes and/or other body parts.

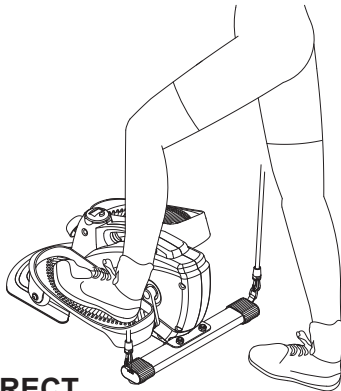
To keep your Resistance Tube in good condition, follow these easy steps:

- Do not attempt to patch or repair the Resistance Tube if punctured or cut.
- Clean the Resistance Tube with water or very mild soap. Harsh cleaning products may damage the Resistance Tube.
- Avoid prolonged exposure to heat sources such as direct sunlight, lamps, heaters, and furnaces.
- Store the Resistance Tube in a cool dry area and place on a protective surface when not in use.

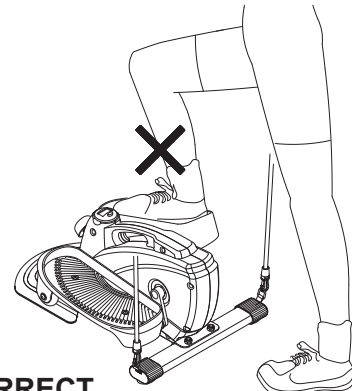
OPERATIONAL INSTRUCTIONS

STANDING WORKOUT

Using the **InMotion® E3000 Compact Strider** while standing exercises your core and other muscles. If you have good balance and are familiar with the elliptical, you may use the **InMotion® E3000 Compact Strider** while standing. Always mount and dismount the elliptical from the lowest foot pedal (as shown below). Stand on the foot pedals with the front of your shoes close to the front edge of the pedal cap. For more stability, place a chair next to the **InMotion® E3000 Compact Strider** and place your hand on the chair back while stepping onto the pedals. Move your highest foot forward and follow the natural path of the machine. If necessary, use a wall or table to help maintain your balance while using the **InMotion® E3000 Compact Strider**. Start on a load level that is comfortable until you are familiar with the machine. Once you are familiar with the elliptical and comfortable with the resistance, adjust the load level as described below to achieve the workout desired.



CORRECT



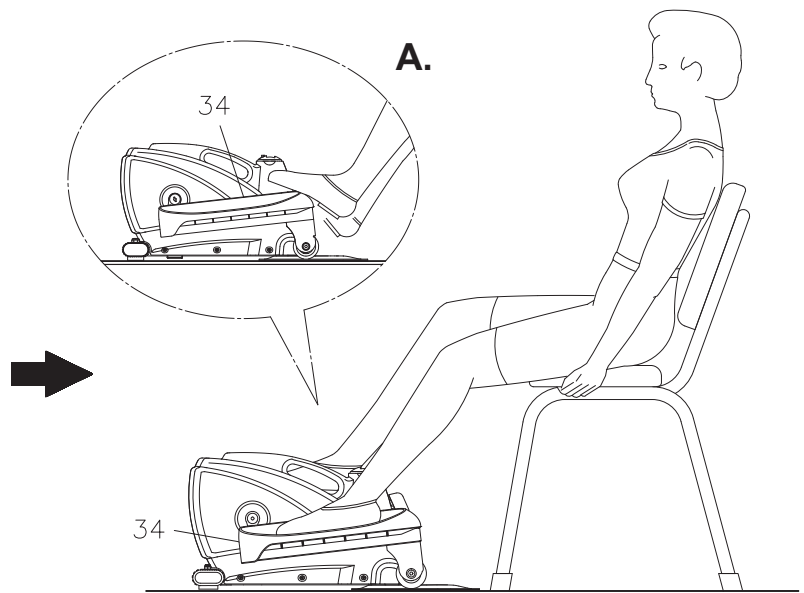
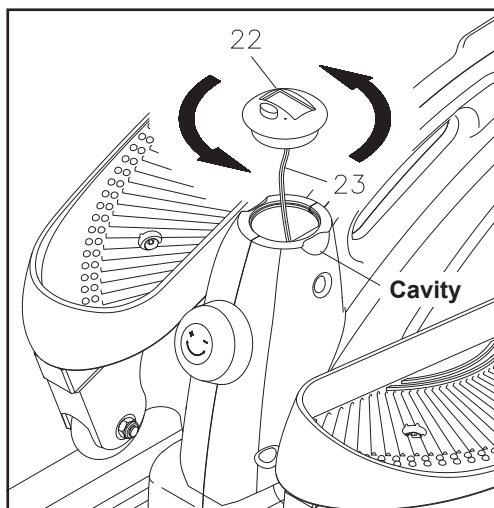
INCORRECT

SITTING WORKOUT

Refer to the illustrations below. Seated workouts are effective for toning legs and hips, and for improving circulation and mobility. When sitting, your feet will face the opposite direction on the pedals than when standing. This will put your feet, ankles, and hips at the proper workout angles. To adjust the **METER(22)** to face you, find the two cavities on either side of the meter case, grasp the top of the meter and pull the top of the **METER(22)** from the casing being careful not to disconnect or damage the **SENSOR WIRE(23)**. Turn the meter 180 degrees, and push it back into position.

Place the **InMotion® E3000 Compact Strider** on the floor in front of a chair. Sit in the chair and place your feet in the **PEDAL CAPS(33, 34)** as shown in the illustration below, or place your feet on the end of the **PEDAL CAPS(33, 34)** as shown in detail view A. Pedal the **InMotion® E3000 Compact Strider** with your feet.

CAUTION: Do not stand up on the **InMotion® E3000 Compact Strider** in this workout position.



OPERATIONAL INSTRUCTIONS

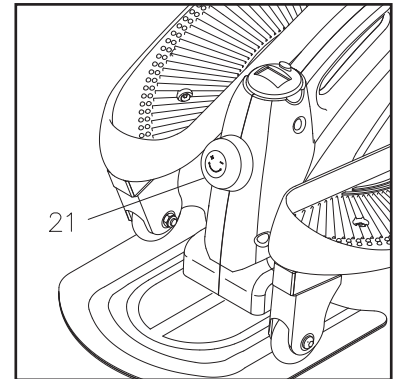
FORWARD AND REVERSE

The **InMotion® E3000 Compact Strider** can be used in forward and reverse directions to vary the muscles that you work. This will help you to stay motivated and achieve the best results. To change directions, simply slow the pedals down until they stop, then pedal in the opposite direction.

LOAD LEVEL ADJUSTMENT

The load level of **InMotion® E3000 Compact Strider** can be changed at any time during your workout. Adjusting your load level will allow you to increase or decrease your intensity level.

To increase the load, turn the **TENSION KNOB(21)** clockwise. To decrease the load, turn the **TENSION KNOB(21)** counterclockwise.



STORAGE

1. To store the **InMotion® E3000 Compact Strider**, simply keep it in a clean dry place.
2. The **InMotion® E3000 Compact Strider** is approximately 24.3 inches long x 17.5 inches wide x 11.4 inches tall. These dimensions will vary. Please measure your **InMotion® E3000 Compact Strider** if exact dimensions are needed.
3. Grasp the handle located on the top of the product to move the **InMotion® E3000 Compact Strider**. Do not use the Pedal Arms to move the **InMotion® E3000 Compact Strider**.

MAINTENANCE

The safety and integrity designed into the **InMotion® E3000 Compact Strider** can only be maintained when the **InMotion® E3000 Compact Strider** is regularly examined for damage and wear. Special attention should be given to the following:

1. Adjust the **TENSION KNOB(21)** and verify that it functions properly and the resistance changes.
2. Inspect the **RESISTANCE TUBES(69)** for nicks and cuts. Replace damaged **RESISTANCE TUBES(69)**.
3. Verify that the **WARNING LABEL(55)** is in place and easy to read. Call Stamina Products immediately at **1-800-375-7520** for a replacement **WARNING LABEL(55)** if it is missing or damaged.
4. It is the sole responsibility of the user/owner to ensure that regular maintenance is performed.
5. Worn or damaged components shall be replaced immediately or the **InMotion® E3000 Compact Strider** removed from service until repair is made.
6. Only Stamina Products supplied components shall be used to maintain/repair the **InMotion® E3000 Compact Strider**.
7. Keep your **InMotion® E3000 Compact Strider** clean by wiping it off with an absorbent cloth after use.

NOTE: A standard crank extractor tool is required to remove the **CRANKS(72)** from the **AXLE(73)**.

CONDITIONING GUIDELINES

How you begin your exercise program depends on your physical condition. If you have been inactive for several years or are severely overweight, start slowly and increase your workout time gradually. Increase your workout intensity gradually by monitoring your heart rate while you exercise.

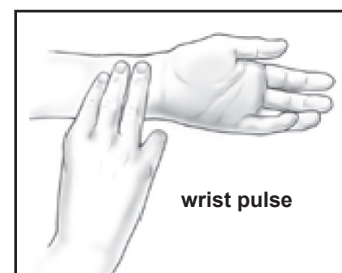
Remember to follow these essentials:

- Have your doctor review your training and diet programs.
- Begin your training program slowly with realistic goals that have been set by you and your physician.
- Warm up before you exercise and cool down after you work out.
- Take your pulse periodically during your workout and strive to stay within a range of 60% (lower intensity) to 90% (higher intensity) of your maximum heart rate zone. Start at the lower intensity, and build up to higher intensity as you become more aerobically fit.
- If you feel dizzy or lightheaded you should slow down or stop exercising.

Initially you may only be able to exercise within your target zone for a few minutes; however, your aerobic capacity will improve over the next six to eight weeks. It is important to pace yourself while you exercise so you don't tire too quickly.

To determine if you are working out at the correct intensity, use a heart rate monitor or use the table below. For effective aerobic exercise, your heart rate should be maintained at a level between 60% and 90% of your maximum heart rate. If just starting an exercise program, work out at the low end of your target heart rate zone. As your aerobic capacity improves, gradually increase the intensity of your workout by increasing your heart rate.

Measure your heart rate periodically during your workout by stopping the exercise but continuing to move your legs or walk around. Place two or three fingers on your wrist and take a six second heartbeat count. Multiply the results by ten to find your heart rate. For example, if your six second heartbeat count is 14, your heart rate is 140 beats per minute. A six second count is used because your heart rate will drop rapidly when you stop exercising. Adjust the intensity of your exercise until your heart rate is at the proper level.



Target Heart Rate Zone Estimated by Age*

Age	Target Heart Rate Zone (55%-90% of Maximum Heart Rate)	Average Maximum Heart Rate 100%
20 years	110-180 beats per minute	200 beats per minute
25 years	107-175 beats per minute	195 beats per minute
30 years	105-171 beats per minute	190 beats per minute
35 years	102-166 beats per minute	185 beats per minute
40 years	99-162 beats per minute	180 beats per minute
45 years	97-157 beats per minute	175 beats per minute
50 years	94-153 beats per minute	170 beats per minute
55 years	91-148 beats per minute	165 beats per minute
60 years	88-144 beats per minute	160 beats per minute
65 years	85-139 beats per minute	155 beats per minute
70 years	83-135 beats per minute	150 beats per minute

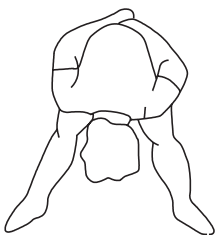
* For cardiorespiratory training benefits, the American College of Sports Medicine recommends working out within a heart rate range of 55% to 90% of maximum heart rate. To predict the maximum heart rate, the following formula was used: $220 - \text{Age} = \text{predicted maximum heart rate}$

WARM-UP and COOL-DOWN

Warm-Up The purpose of warming up is to prepare your body for exercise and to minimize injuries. Warm up for two to five minutes before strength training or aerobic exercising. Perform activities that raise your heart rate and warm the working muscles. Activities may include brisk walking, jogging, jumping jacks, jump rope, and running in place.

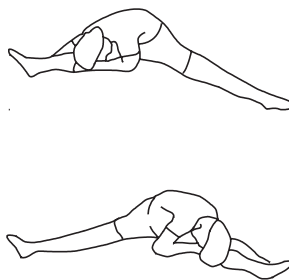
Stretching Stretching while your muscles are warm after a proper warm-up and again after your strength or aerobic training session is very important. Muscles stretch more easily at these times because of their elevated temperature, which greatly reduces the risk of injury. Stretches should be held for 15 to 30 seconds. Do not bounce.

Suggested Stretching Exercises



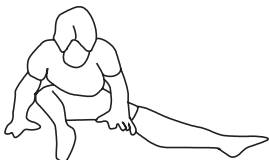
Lower Body Stretch

Place feet shoulder-width apart and lean forward. Keep this position for 30 seconds using the body as a natural weight to stretch the backs of the legs. **DO NOT BOUNCE!** When the pull on the back of the legs lessens, gradually try a lower position.



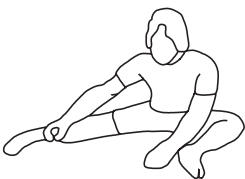
Floor Stretch

While sitting on the floor, open the legs as wide as possible. Stretch the upper body toward the knee on the right leg by using your arms to pull your chest to your thighs. Hold this stretch 10 to 30 seconds. **DO NOT BOUNCE!** Do this stretch 10 times. Repeat the stretch with the left leg.



Bent Torso Pulls

While sitting on the floor, have legs apart, one leg straight and one knee bent. Pull the chest down to touch the thigh on the leg that is bent, and twist at the waist. Hold this position at least 10 seconds. Repeat 10 times on each side.



Bent Over Leg Stretch

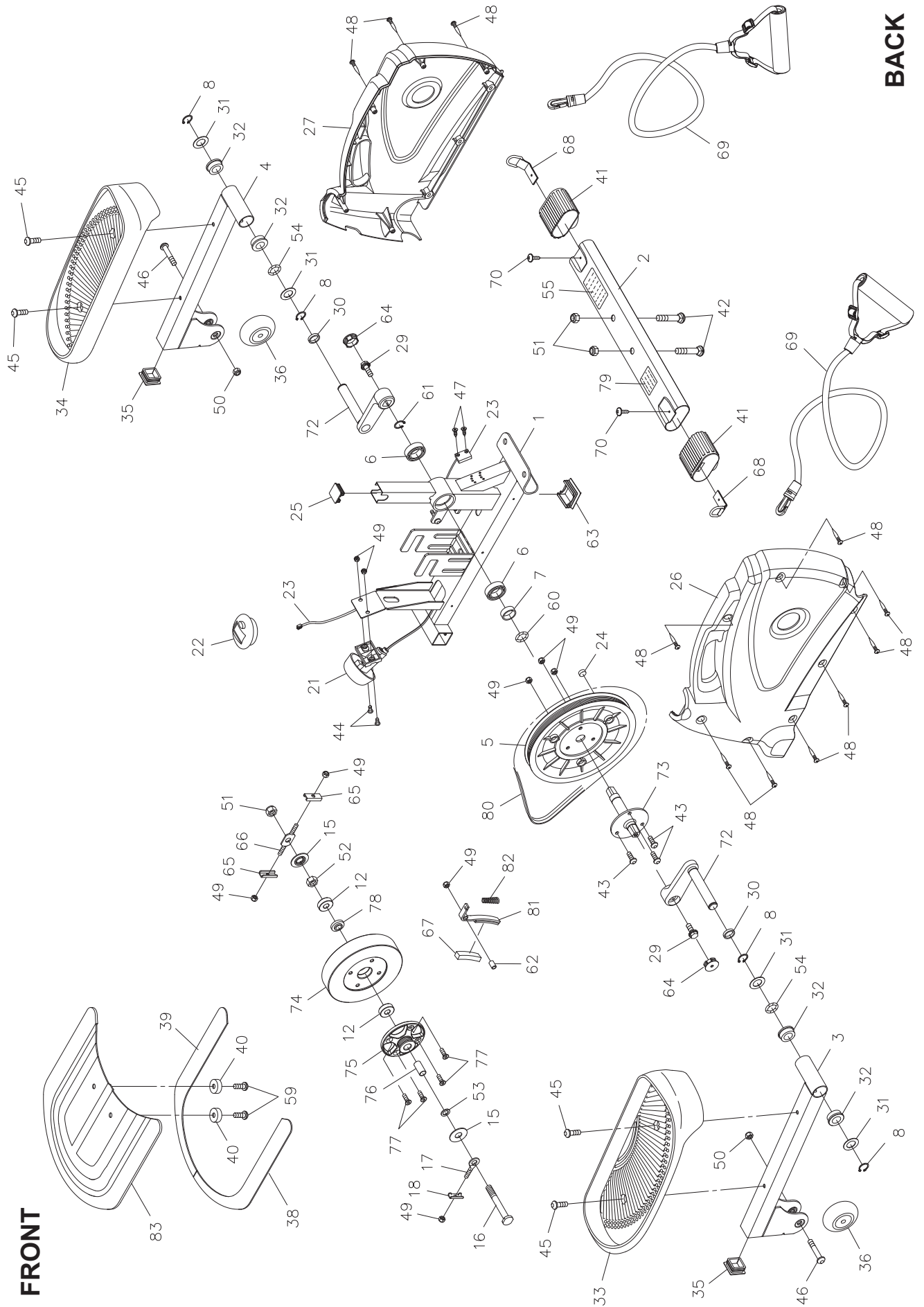
Stand with feet shoulder-width apart and lean forward as illustrated. Using the arms, **gently** pull the upper body towards the right leg. Let the head hang down. **DO NOT BOUNCE!** Hold the position a minimum of 10 seconds. Repeat pulling the upper body to the left leg. Do this stretch several times slowly.

Remember to always check with your physician before starting any exercise program.

Cool-Down The purpose of cooling down is to return the body to its normal, or near normal, resting state at the end of each exercise session. A proper cool-down slowly lowers your heart rate and allows blood to return to the heart. Your cool-down should include the stretches listed above and should be completed after each strength training session.

PRODUCT PARTS DRAWING

FRONT



PARTS LIST

PART#	PART NAME	QTY
1	Main Frame	1
2	Rear Stabilizer	1
3	Left Pedal Arm	1
4	Right Pedal Arm	1
5	Pulley	1
6	Bearing (6003)	2
7	Pulley Spacer	1
8	C Ring (16mm)	4
12	Bearing (6000)	2
15	Spacer Cap	2
16	Flywheel Shaft Bolt (M10 x 1.5 x 82mm)	1
17	Eyebolt	1
18	Tension Bracket	1
21	Tension Knob	1
22	Meter	1
23	Sensor Wire	1
24	Magnet	1
25	Square Plug (25mm x 25mm)	1
26	Left Cover	1
27	Right Cover	1
29	Flange Bolt (M8 x 1.25 x 15mm)	2
30	Crank Spacer	2
31	Large Washer (16.3 x 24mm)	4
32	Pedal Arm Bushing	4
33	Left Pedal Cap	1
34	Right Pedal Cap	1
35	Square Plug (30mm x 30mm)	2
36	Roller	2
38	Left Foam Pad	1
39	Right Foam Pad	1
40	Stand	2
41	Oval Endcap (30mm x 60mm)	2
42	Carriage Bolt (M10 x 1.5 x 43mm)	2
43	Bolt, Button Head (M6 x 1 x 13mm)	3
44	Bolt, Button Head (M6 x 1 x 17mm)	2
45	Bolt, Button Head (M8 x 1.25 x 20mm)	4
46	Bolt, Button Head (M8 x 1.25 x 42mm)	2
47	Screw, Round Head (M3.4 x 8mm)	2
48	Screw, Round Head (M4 x 25mm)	11
49	Nylock Nut (M6 x 1)	9
50	Nylock Nut (M8 x 1.25)	2
51	Nylock Nut (M10 x 1.5)	3
52	Nut (M10 x 1.5)	1
53	Washer (M10)	1
54	Wavy Washer (M16)	2
55	Caution Label	1
56	Wrench	1

PARTS LIST

PART#	PART NAME	QTY
57	Allen Wrench (6mm)	1
58	Manual	1
59	Bolt, Button Head (M8 x 1.25 x 16mm)	2
60	Wavy Washer (M17)	1
61	C Ring (17mm)	1
62	Pu Bushing	1
63	Square Plug (38mm x 38mm)	1
64	Crank Cap	2
65	Large Tension Bracket	2
66	Double Eyebolt	1
67	Felt Bracket Pad	1
68	D Ring	2
69	Resistance Tube	2
70	Screw, Flange Round Head (M4 x 16mm)	2
71	Workout DVD	1
72	Crank	2
73	Axle	1
74	Flywheel	1
75	Flywheel Pulley	1
76	Flywheel Spacer (ø10mm x ø12mm x 24mm)	1
77	Bolt, Flat Head (M6 x 1 x 15mm)	4
78	Bearing Spacer	1
79	Serial Decal	1
80	V-Ribbed Belt (270 J4)	1
81	Brake Brace	1
82	Spring	1
83	Base Board	1

LIMITED WARRANTY

MODEL 55-1621D

WARRANTY

Stamina Products, Inc. ("Stamina") warrants to the original purchaser that this product will be free from defects in materials and workmanship that arise under normal use, service, proper assembly and proper operation in accordance with product warnings/instructions for a period of 90 days on the parts and one year on the frame from the date of the original purchase from an authorized retailer. **THIS WARRANTY SHALL NOT APPLY TO ANY PRODUCT WHICH HAS BEEN SUBJECT TO COMMERCIAL USE, ABUSE, MISUSE, ALTERATION OF ANY KIND OR TO ANY DEFECT OR CHANGE CAUSED BY IMPROPER ASSEMBLY, REPAIR, REPLACEMENT, SUBSTITUTION OR USE WITH PARTS NOT PROVIDED BY STAMINA.** Commercial use includes use of product in athletic clubs, health clubs, spas, gyms, and all other public or semipublic facilities whether or not the product's use is in furtherance of a profit making enterprise, and all other use which is not for personal purposes.

To implement this limited warranty, send a written notice stating your name, date, and place of purchase and a brief description of the defect along with your receipt to Stamina Products, Inc. 2040 N Alliance Ave, Springfield, Missouri, USA, MO 65803, or email us at customer.care@staminaproducts.com, or call us at 1-800-375-7520. If the defect is covered under this limited warranty, you will be requested to return the product or part to us for free repair or replacement at our option.

NO ACTION FOR BREACH OF THIS LIMITED WARRANTY MAY BE COMMENCED MORE THAN ONE (1) YEAR AFTER THE DATE THE ALLEGED BREACH WAS OR SHOULD HAVE BEEN DISCOVERED. NO ACTION FOR BREACH OF ANY IMPLIED WARRANTY (INCLUDING MERCHANTABILITY AND FITNESS FOR A PARTICULAR PURPOSE) MAY BE COMMENCED MORE THAN ONE (1) YEAR AFTER DELIVERY OF THE PRODUCT TO THE PURCHASER. These warranties are not transferable. **IF ANY PART OF THE PRODUCT IS NOT IN COMPLIANCE WITH THIS LIMITED WARRANTY OR ANY IMPLIED WARRANTY, THE REMEDY OF REPAIR OR REPLACEMENT IS THE EXCLUSIVE REMEDY.** If any claim is made under this limited warranty or any implied warranty, Stamina reserves the right to require the product to be returned for inspection, at the purchaser's expense, to Stamina's premises in Springfield, Missouri. Return of the enclosed warranty registration card is not required for warranty coverage, but is merely a way of establishing the date and place of purchase.

Stamina **SHALL NOT BE LIABLE FOR THE LOSS OF USE OF ANY PRODUCT, LOSS OF TIME, INCONVENIENCE, COMMERCIAL LOSS OR ANY OTHER INDIRECT, CONSEQUENTIAL, SPECIAL OR INCIDENTAL DAMAGES DUE TO BREACH OF THE ABOVE WARRANTY OR ANY IMPLIED WARRANTY.**

THIS LIMITED WARRANTY IS THE ONLY EXPRESS WARRANTY. NO ORAL OR WRITTEN INFORMATION GIVEN BY STAMINA, ITS AGENTS OR EMPLOYEES, SHALL CREATE A WARRANTY OR IN ANY WAY INCREASE THE SCOPE OF THIS WARRANTY. This warranty gives you specific legal rights, and you may also have other legal rights which vary from state to state. **ANY OTHER RIGHT WHICH YOU MAY HAVE, INCLUDING ANY IMPLIED WARRANTY OF MERCHANTABILITY OR FITNESS FOR A PARTICULAR PURPOSE, IS LIMITED IN DURATION TO THE DURATION OF THIS WARRANTY.**

The laws in some states affect the disclaimer or limitation of implied warranties and consequential and incidental damages. If any such law is found applicable, the foregoing disclaimers and limitations of and on implied warranties and consequential and incidental damages shall be deemed to be modified to the extent necessary to comply with applicable law.

NOTES

NOTES

TO CONTACT CUSTOMER CARE

For your convenience, Stamina's customer care representatives can be reached by email at customer.care@staminaproducts.com or by phone at 1-800-375-7520 (in the U.S.). Our customer care representatives are available Monday through Thursday from 7:30 a.m. until 5:00 p.m., and Friday 8:00 a.m. until 3 p.m. Central Time.



**ONLINE
CUSTOMER CARE**
customer.care@staminaproducts.com
www.staminaproducts.com



**TELEPHONE
CUSTOMER CARE**
Tel: 1 (800) 375-7520



**FAX
CUSTOMER CARE**
Fax: (417) 889-8064



MAIL
STAMINA PRODUCTS, INC.
ATTN: Customer Care
2040 N Alliance Ave, Springfield, MO 65803

Would you like to receive email information or special offers from Stamina Products? Register at contact.staminaproducts.com

TO REGISTER YOUR PRODUCT

To enact your warranty, please register your product by going to register.staminaproducts.com. Please have your product model number (printed on the cover of this owner's manual) and the serial number (printed on the black and white sticker on your product) ready.

If you don't have internet access, you can call customer care at 1-800-375-7520, or fill out and mail the product registration form below to Stamina Products, Inc.; 2040 N Alliance Ave, Springfield, MO 65803.

PRODUCT REGISTRATION FORM		Stamina Products, Inc. 2040 N Alliance Ave, Springfield, MO 65803	
Model Number:		Serial Number:	
Product Name:			
Place Purchased:			
Date of Purchase:		Purchase Price:	
First Name:		Last Name:	
City:	State:	Phone #: ()	Zip Code:
Email Address:		Phone #: ()	
Would you like to receive email information or special offers from Stamina Products?* <input type="checkbox"/> Yes <input type="checkbox"/> No *If yes, be sure your email address is included above.			



Detach and Mail or Fax the Form Above



TO ORDER PARTS

If there are missing or damaged parts, you can go to parts.staminaproducts.com and order those parts. If you have questions, please contact customer care. Do not return the product. To order parts by mail, fill out the sheet below and fax it to 417-889-8064. The part will be mailed to your address.



Detach and Mail or Fax the Form Below



PARTS ORDER FORM		Stamina Products, Inc. 2040 N Alliance Ave, Springfield, MO 65803	
Mr./Ms:			
Address:		Apt. #:	
City:	State:	Zip Code:	
IMPORTANT : We require your phone number to process the order!			
Phone #: ()		Work Phone #: ()	
Date of Purchase:			
Model #:			
Purchased From:			
IMPORTANT: Before filling out the portion below, make sure you have the correct information. Refer to the parts list to make sure you're ordering the right parts!			
PART #	DESCRIPTION	QUANTITY	
EXAMPLE: 1	Rear Unit Assembly	1	