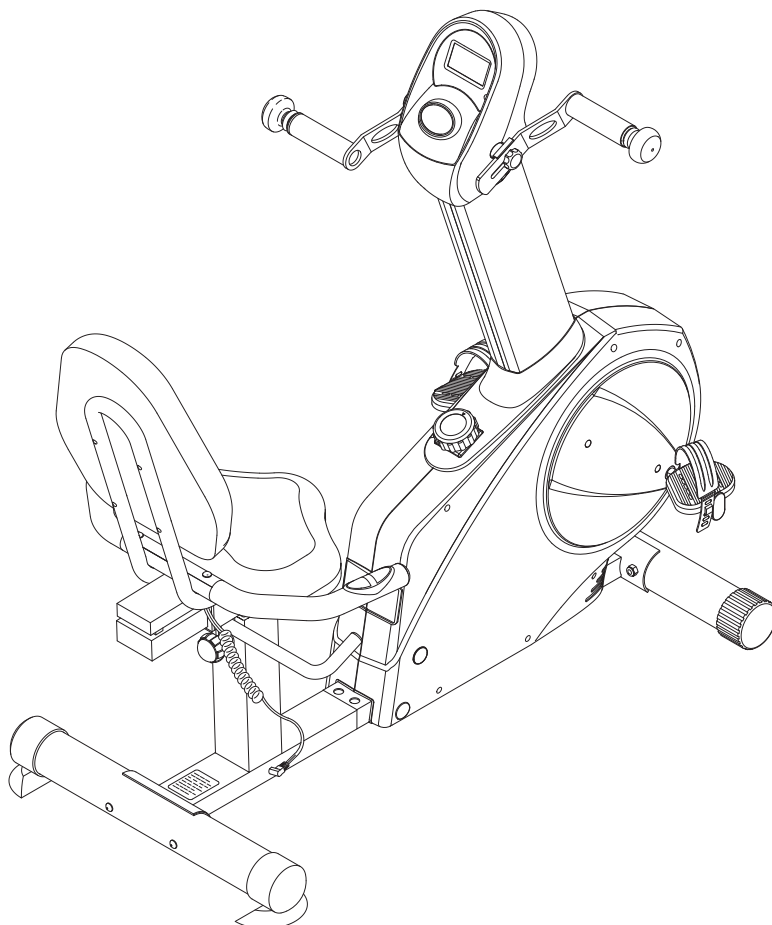


STAMINA[®]

ELITE TOTAL BODY

RECUMBENT

BIKE



Product May Vary Slightly From Pictured.

CAUTION:

Weight on this product should not exceed 250 lbs.

This Product is Distributed Exclusively by



2040 N Alliance Ave, Springfield, MO 65803

Customer Care

1 (800) 375-7520

www.staminaproducts.com

Owner's Manual

⚠ WARNING

Exercise can present a health risk. Consult a physician before beginning any exercise program with this equipment. If you feel faint or dizzy, immediately discontinue use of this equipment. Serious bodily injury can occur if this equipment is not assembled and used correctly. Serious bodily injury can also occur if all instructions are not followed. Keep others and pets away from equipment when in use. Always make sure all bolts and nuts are securely tightened prior to each use. Follow all safety instructions in this manual.

When calling for parts or service, please specify the following numbers:

Model#: 15-9122A

S/N: _____

STAMINA PRODUCTS
MADE IN TAIWAN

© 2021 Stamina Products, Inc.
2021, 03

müüv

Quickstart Guide

IMPORTANT

Smart Audio Workouts for Your Bike



Go to the App Store on your device or scan the QR Code for quick access.



Download the app and get moving!

Assembly video included in app.

TABLE OF CONTENTS

Safety Instructions	3	Maintenance	15
Before You Begin	5	Conditioning Guidelines	16
Equipment Warning, Caution & Notice Labels ...	6	Warm-Up and Cool-Down	17
Hardware Identification Chart	7	Product Parts Drawing	18
Assembly Instructions	8	Parts List	19
Set Up Instructions	12	Warranty	21
Operational Instructions	13	Notes	22
Storage	15	Fax/Mail Ordering Form	23

SAFETY INSTRUCTIONS

⚠ WARNING Cancer and Reproductive Harm www.P65Warnings.ca.gov

⚠ WARNING Consult your physician before starting this or any exercise program. This is especially important if you are over the age of 35, have never exercised before, are pregnant, or suffer from any health problem. This product is for home use only. Do not use in institutional or commercial applications. Failure to follow all warnings and instructions could result in serious injury or death.

⚠ WARNING To reduce the risk of serious injury, read the following Safety Instructions before using the Stamina® Elite Total Body Recumbent Bike.

1. Save these instructions and ensure that other exercisers read this manual prior to using the **Stamina® Elite Total Body Recumbent Bike** for the first time.
2. Read all warnings and cautions posted on the **Stamina® Elite Total Body Recumbent Bike**.
3. The **Stamina® Elite Total Body Recumbent Bike** should only be used after a thorough review of the Owner's Manual. Make sure that it is properly assembled and tightened before use.
4. We recommend that two people be available for assembly of this product.
5. Keep children away from the **Stamina® Elite Total Body Recumbent Bike**. Do not allow children to use or play on the **Stamina® Elite Total Body Recumbent Bike**. Keep children and pets away from the **Stamina® Elite Total Body Recumbent Bike** when it is in use.
6. It is recommended that you place this exercise equipment on an equipment mat.
7. Set up and operate the **Stamina® Elite Total Body Recumbent Bike** on a solid level surface. Do not position the **Stamina® Elite Total Body Recumbent Bike** on loose rugs or uneven surfaces.
8. Make sure that adequate space is available for access to and around the **Stamina® Elite Total Body Recumbent Bike**.
9. Adjust the STAND(65) under the REAR FRAME(2) to get more support for the base of the **Stamina® Elite Total Body Recumbent Bike**.
10. Before using, inspect the **Stamina® Elite Total Body Recumbent Bike** for worn or loose components, and securely tighten or replace any worn or loose components prior to use.
11. The ADJUSTMENT KNOBS(52) and SPRING KNOB(64) should be securely tightened prior to use.
12. Each user should adjust the seat per instructions on page 14.
13. Do not attempt to adjust the seat while you are on the **Stamina® Elite Total Body Recumbent Bike**.
14. Consult a physician prior to commencing an exercise program and follow his/her recommendations in developing your fitness program. If at any time during exercise you feel faint, dizzy, or experience pain, stop and consult your physician.
15. Always choose the workout which best fits your physical strength and flexibility level. Know your limits and train within them. Always use common sense when exercising.
16. Do not wear loose or dangling clothing while using the **Stamina® Elite Total Body Recumbent Bike**.
17. Never exercise in bare feet or socks; always wear proper footwear such as running, walking, or cross training shoes that fit well, provide foot support, and feature non-skid rubber soles.
18. Be careful to maintain your balance while using, mounting, dismounting, or assembling the **Stamina® Elite Total Body Recumbent Bike**, loss of balance may result in a fall and bodily injury.
19. The **Stamina® Elite Total Body Recumbent Bike** should not be used by persons weighing over 250 pounds.
20. The **Stamina® Elite Total Body Recumbent Bike** should be used by only one person at a time.
21. The **Stamina® Elite Total Body Recumbent Bike** is for consumer use only. It is not for use in public or semipublic facilities.
22. Use two people to move the **Stamina® Elite Total Body Recumbent Bike**.

EXTEND YOUR PARTS WARRANTY TO 180 DAYS FROM THE DATE OF PURCHASE. REGISTER YOUR PRODUCT.



**NEED HELP?
CONTACT US FIRST
1 (800) 375-7520
customer.care@staminaproducts.com**

Hi! From all of us here at Stamina Products, thank you for your purchase. We know that you have big fitness goals in mind and we are here to help you along. Call us, email us, or send us a message on Facebook. Be sure to contact us if you have any questions on your new product. We look forward to hearing from you!

With your body in mind,
Stamina Customer Care

To enact your extended warranty and to help us better serve you, please go online and register your new product.

register.staminaproducts.com

It is quick and easy to register online, but if you're a little old school or just need a reason to raise that little flag on your mailbox, fill out the info on the last page of this manual and mail it in.



ONLINE

customer.care@staminaproducts.com
www.staminaproducts.com



TELEPHONE

1 (800) 375-7520



FAX

(417) 889-8064



MAIL

Stamina Products, Inc.
ATTN: Customer Care
2040 N Alliance Ave
Springfield, MO 65803

 facebook.com/StaminaProducts
facebook.com/AeroPilates

CUSTOMER CARE HOURS:
Monday-Thursday, 7:30 AM-5:00 PM, Central Time
Friday, 8:00 AM-3:00 PM, Central Time

BEFORE YOU BEGIN

Thank you for choosing the **Stamina® Elite Total Body Recumbent Bike**. We take great pride in this quality product and hope it will provide many hours of quality exercise to make you feel better, look better, and enjoy life to its fullest.

It's a proven fact that a regular exercise program can improve your physical and mental health. Too often, our busy lifestyles limit our time and opportunity to exercise. The **Stamina® Elite Total Body Recumbent Bike** provides a convenient and simple method to begin your journey of getting your body in shape and achieving a happier and healthier lifestyle.

Before reading further, please review the drawing below and familiarize yourself with the parts that are labeled. Locate the serial decal on the product and write the serial number on the cover of the manual in the space provided. See the next page for an image of the serial decal. Model number and serial

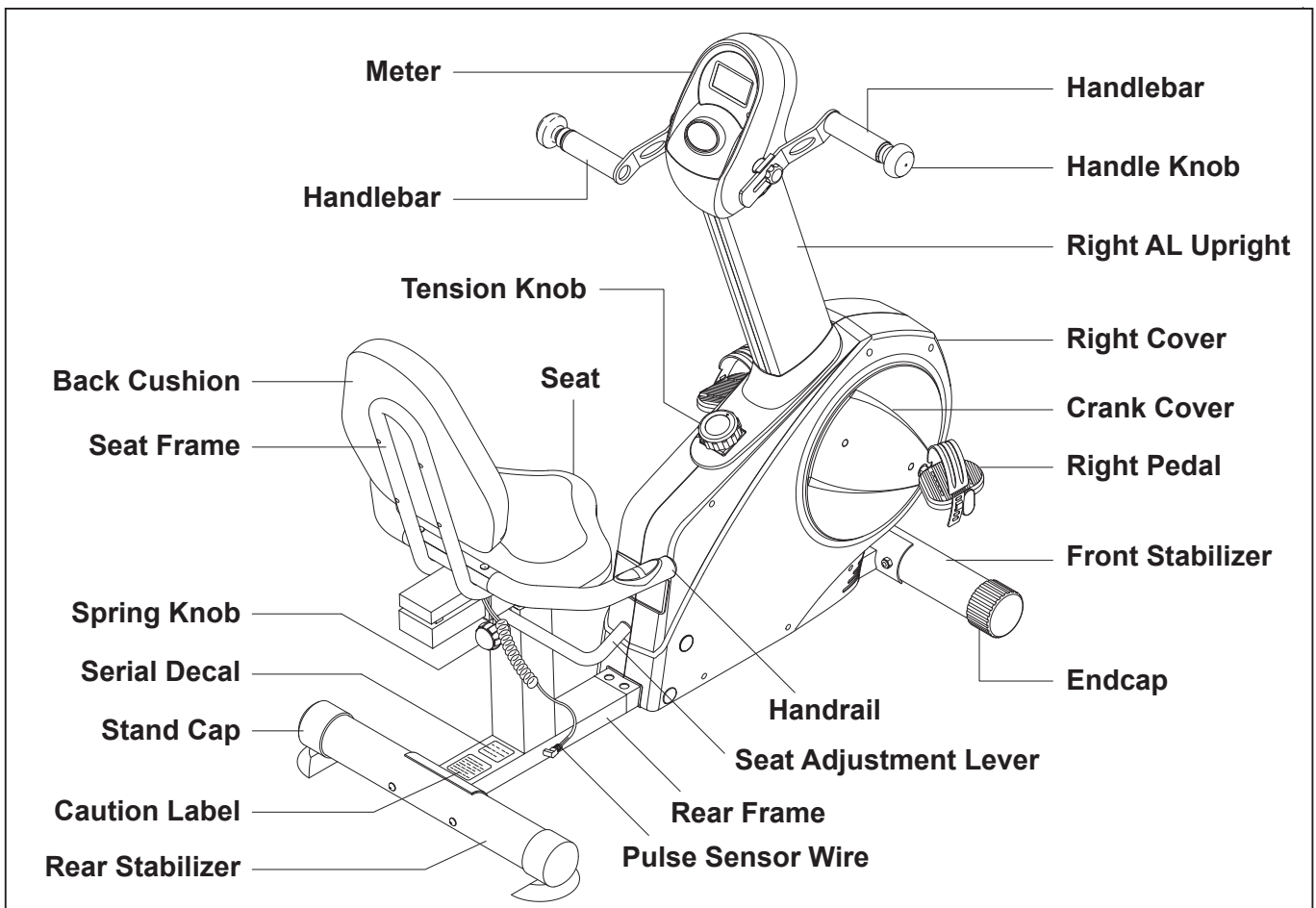
number are required when calling for assistance.

Read this manual carefully before using the **Stamina® Elite Total Body Recumbent Bike**.

Providing you with a quality product is Stamina's top priority. However, sometimes there could be a missing or incorrectly sized part. If you have any questions or problems with the parts included with your **Stamina® Elite Total Body Recumbent Bike**, please do not return the product. Contact us FIRST!

If a part is missing or defective, please contact Customer Care for assistance. Call us toll free at 1-800-375-7520 (in the U.S.) or live chat on staminaproducts.com. Our Customer Care Staff is available to assist you from 7:30 A.M. to 5:00 P.M. (Central Time) Monday through Thursday and 8:00 A.M. to 3:00 P.M. (Central Time) on Friday.

Be sure to have the name and model number of the product available when you contact us.



THE FOLLOWING TOOLS ARE INCLUDED FOR ASSEMBLY :

 Allen Wrench (4mm)

 Allen Wrench (6mm)

 Allen Wrench (5mm)

 Combination Wrench (13mm and 15mm)

EQUIPMENT WARNING, CAUTION & NOTICE LABELS

This chart is provided to help identify the warning, caution, and notice labels on the **Stamina® Elite Total Body Recumbent Bike**. Please take a moment to familiarize yourself with all of the warning, caution, and notice labels.

CAUTION LABEL(122)



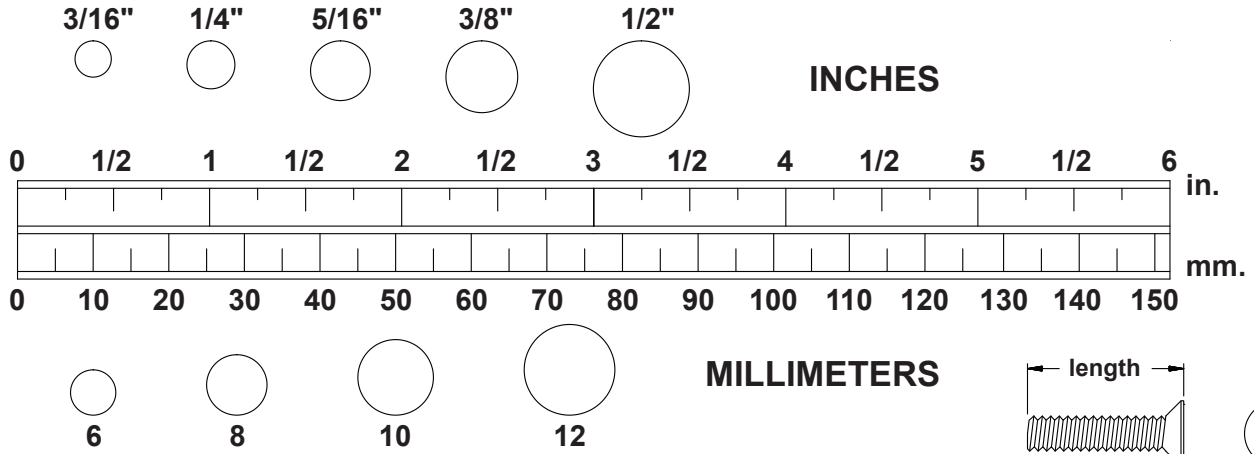
SERIAL DECAL(123)



To best serve you, our Customer Care Representatives will need your serial number. For quick access, write in your serial number on the cover of the manual.

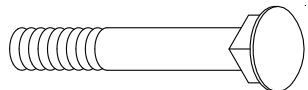
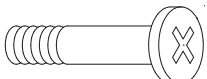
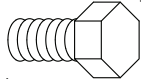
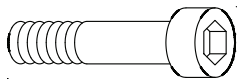
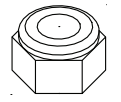
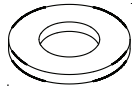
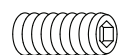
HARDWARE IDENTIFICATION CHART

This chart is provided to help identify the hardware used in the assembly process. Place the washers or the ends of the bolts or screws on the circles to check for the correct diameter. Use the small scale to check the length of the bolts and screws.



NOTICE: The length of all bolts and screws, except those with flat heads, is measured from below the head to the end of the bolt or screw. Flat head bolts and screws are measured from the top of the head to the end of the bolt or screw.

After unpacking the unit, open the hardware bag and make sure that you have all the following items. Some hardware may be already attached to the part.

	Part No. and Description	Qty
	79 Carriage Bolt (M8 x 1.25 x 85mm)	4
	99 Carriage Bolt (M8 x 1.25 x 50mm)	2
	96 Bolt, Flat Head (M8 x 1.25 x 40mm)	4
	97 Bolt, Hex Head (M8 x 1.25 x 15mm)	4
	85 Bolt, Socket Head (M8 x 1.25 x 50mm)	3
	114 Bolt, Socket Head (M6 x 1 x 15mm)	1
	80 Nylock Nut (M8 x 1.25)	10
	74 Washer (M8)	2
	98 Set Screw (M8 x 1.25 x 10mm)	2

ASSEMBLY INSTRUCTIONS

Place all parts from the box in a cleared area and position them on the floor in front of you. Remove all packing materials from your area and place them back into the box. Do not dispose of the packing materials until assembly is completed. Read each step carefully before beginning. If you are missing a part, please go to staminaproducts.com under the Customer Care section and order the part needed, e-mail us at customer.care@staminaproducts.com, or call us toll free at 1-800-375-7520 (in the U.S.). Our Customer Care Staff is available to assist you from 7:30 A.M. to 5:00 P.M. (Central Time) Monday through Thursday and 8:00 A.M. to 3:00 P.M. (Central Time) on Friday.

Some product parts are fit tested at the factory to ensure proper fit and alignment. Marks in the paint may be noticeable, but are not an indication of damage.

STEP 1

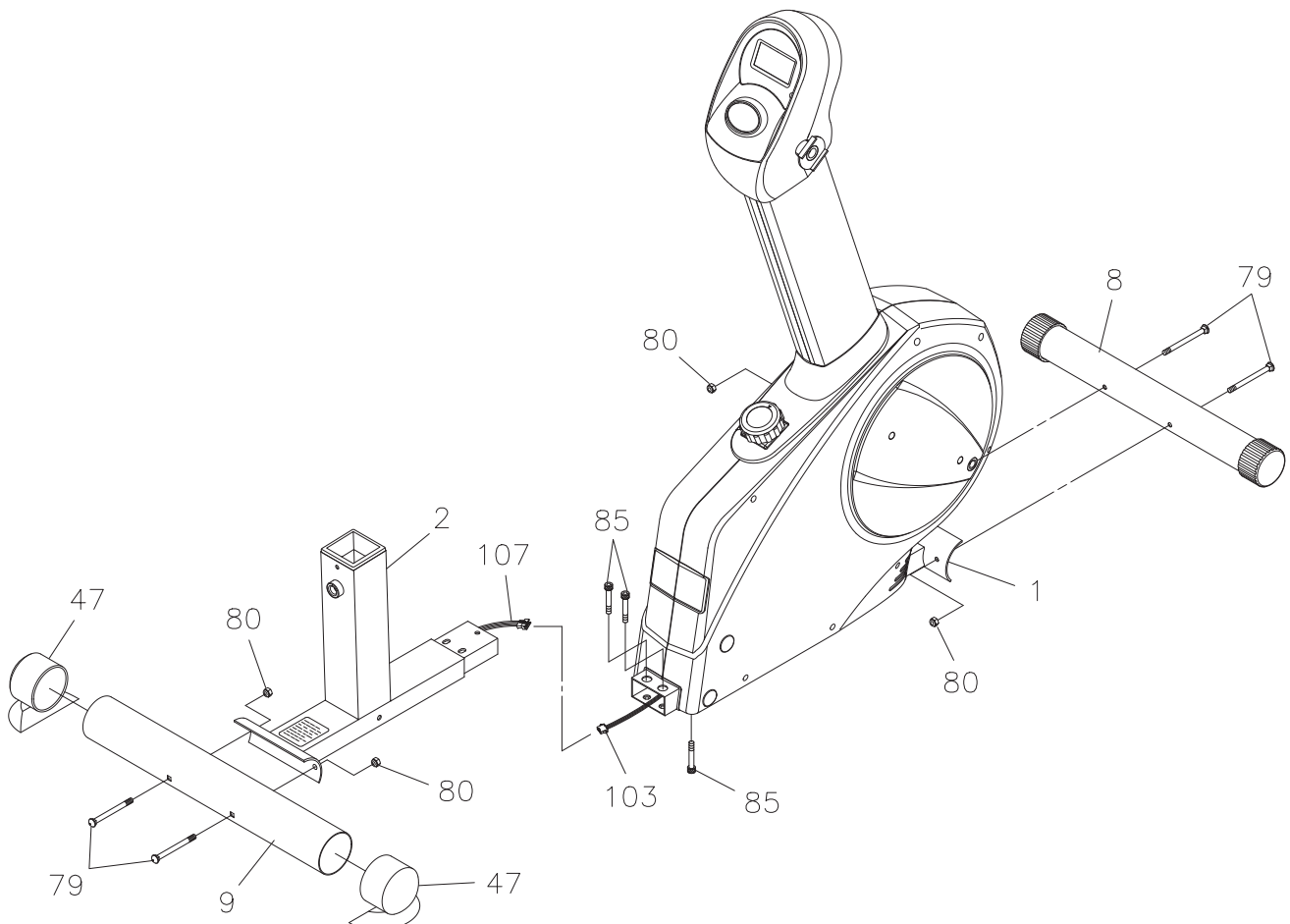
Attach the **FRONT STABILIZER(8)** to the **MAIN FRAME(1)** with **CARRIAGE BOLTS(M8x1.25x85mm)(79)** and **NYLOCK NUTS(M8x1.25)(80)**.

STEP 2

Connect the **PULSE EXTENSION WIRE(107)** to the **PULSE CONNECTION WIRE(103)**. Insert the **REAR FRAME(2)** into the **MAIN FRAME(1)** and secure with **SOCKET HEAD BOLTS(M8x1.25x50mm)(85)**.

STEP 3

Attach the **REAR STABILIZER(9)** to the **REAR FRAME(2)** with **CARRIAGE BOLTS(M8x1.25x85mm)(79)** and **NYLOCK NUTS(M8x1.25)(80)**. Press the **STAND CAPS(47)** onto both sides of the **REAR STABILIZER(9)**.



ASSEMBLY INSTRUCTIONS

STEP 4

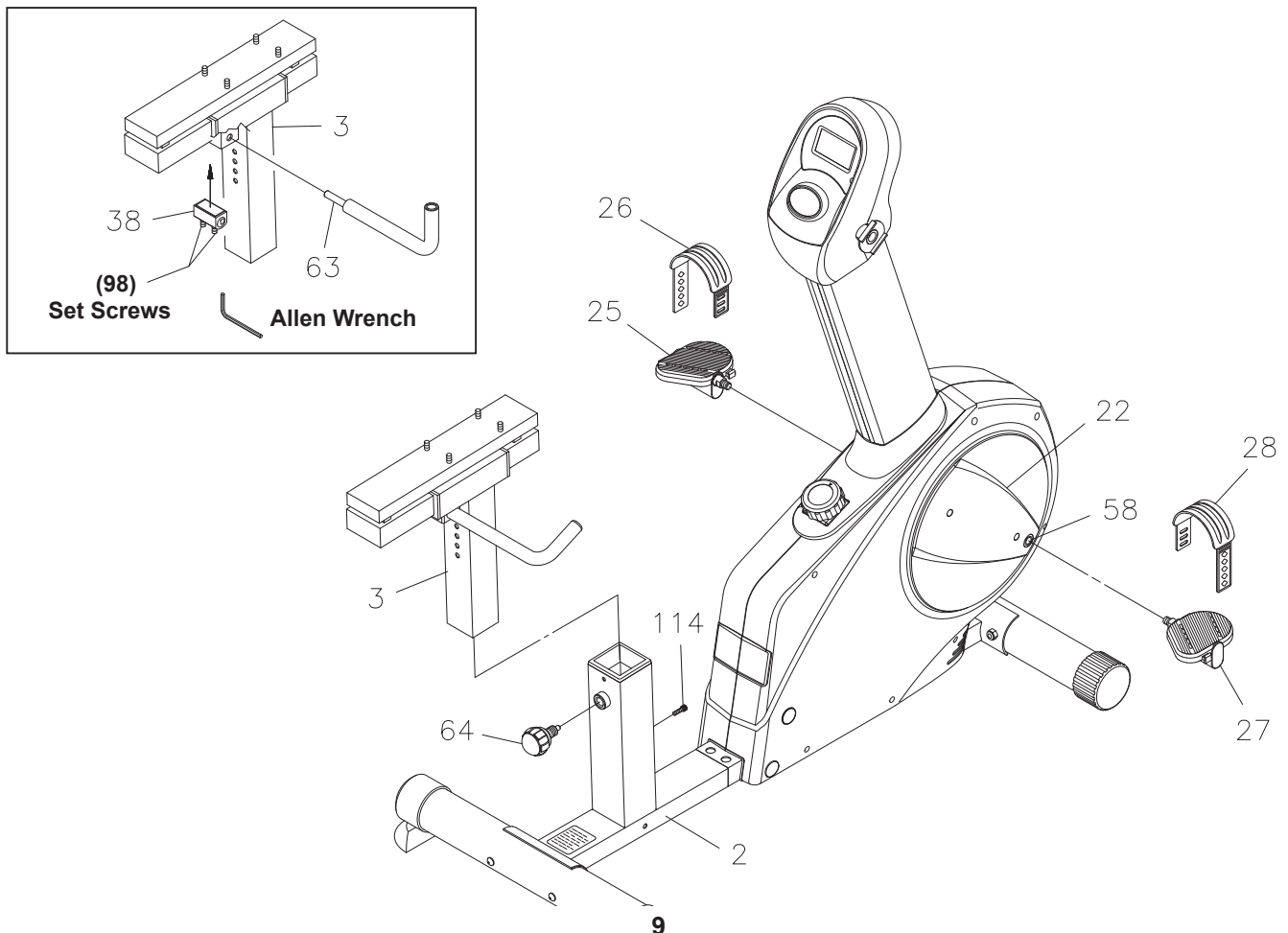
NOTE: The **RIGHT PEDAL(27)** has **R** stamped on the end of the pedal shaft. The **RIGHT PEDAL(27)** has right hand threads and is tightened by turning clockwise. The **LEFT PEDAL(25)** has **L** stamped on the end of the pedal shaft. The **LEFT PEDAL(25)** has left hand threads and is tightened by turning counterclockwise.

Thread the **RIGHT PEDAL(27)** into the **RIGHT CRANK(58)** located inside the **CRANK COVER(22)** as shown. Tighten the pedal securely. Select the **RIGHT PEDAL STRAP(28)** which has **R** marked on the bottom side of the strap. Snap the three hole end onto the inside edge of the **RIGHT PEDAL(27)**. Snap the other end onto the outside edge of the **RIGHT PEDAL(27)** with the **R** mark on the bottom of the **RIGHT PEDAL STRAP(28)**. Select adjustment holes which allow your foot to be easily removed from the pedals. Use the same procedure to attach the **LEFT PEDAL(25)** into the **LEFT CRANK(57)** and snap the **LEFT PEDAL STRAP(26)** onto the **LEFT PEDAL(25)**.

STEP 5: Refer to the inset drawing. Insert the **ADJUSTMENT BLOCK(38)** into the **SEAT POST(3)**. Insert the **SEAT ADJUSTMENT LEVER(63)** through the **SEAT POST(3)** and **ADJUSTMENT BLOCK(38)** and secure by tightening the **SET SCREWS(M8x1.25x10mm)(98)** inside the **ADJUSTMENT BLOCK(38)** with Allen Wrench.

STEP 6: Insert the **SEAT POST(3)** into the **REAR FRAME(2)**. Then Insert the **SOCKET HEAD BOLT (M6x1x15mm)(114)** through the upright tube of **REAR FRAME(2)** and bolt onto the **SEAT POST(3)**. Screw the **SPRING KNOB(64)** into the **REAR FRAME(2)** to secure the **SEAT POST(3)** in position.

NOTE: The pin on the **SPRING KNOB(64)** must be inserted into one of the adjustment holes in the **SEAT POST(3)**. The **SPRING KNOB(64)** should be screwed in tight to make the **SEAT POST(3)** fit securely in the **REAR FRAME(2)**.



ASSEMBLY INSTRUCTIONS

NOTE: Be careful not to damage the **PULSE SENSOR WIRES(104)** while doing assembly Step 8 and Step 9.

STEP 7

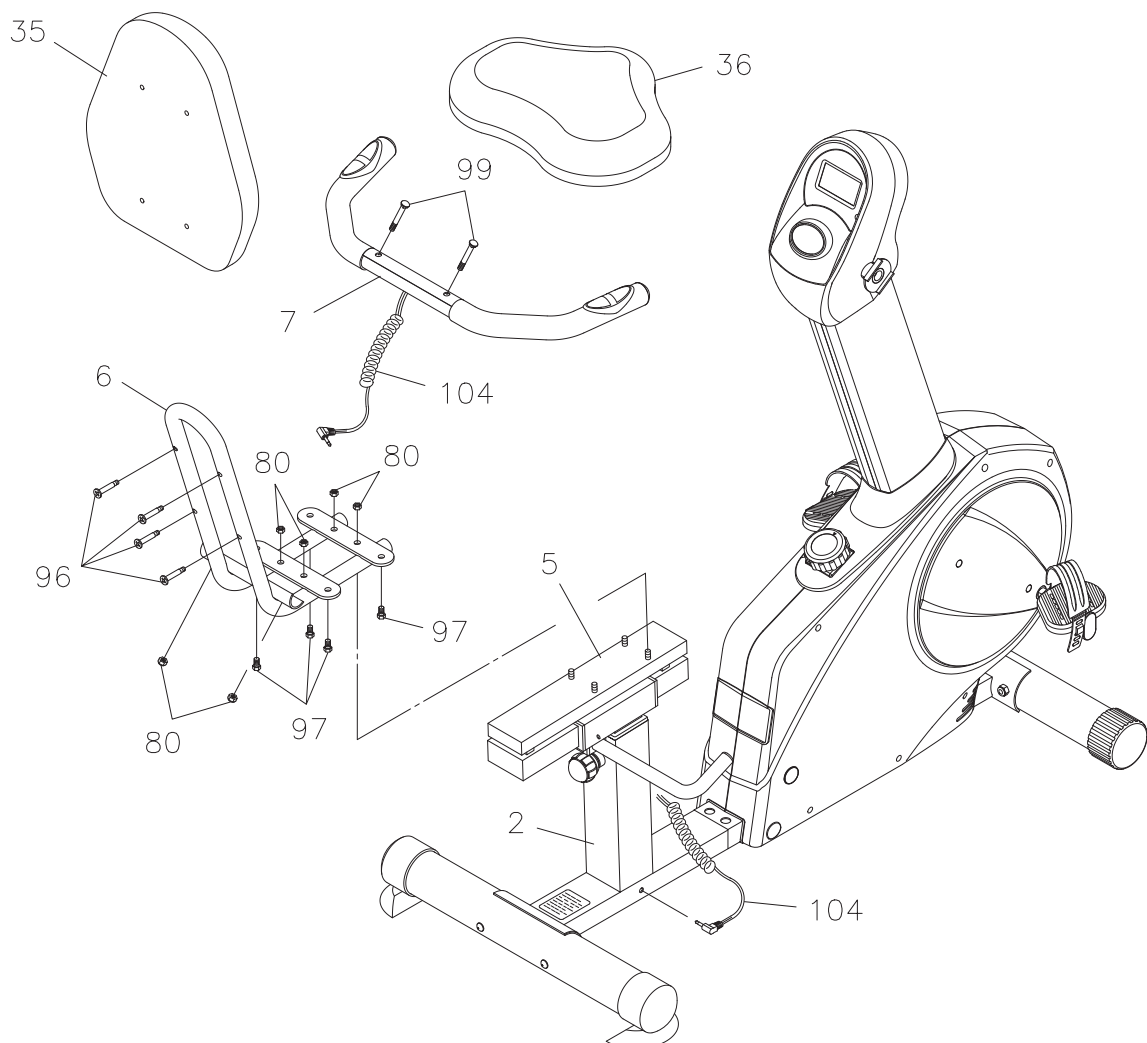
Attach the **SEAT FRAME(6)** to the **SEAT SUPPORT TUBE(5)** with **NYLOCK NUTS(M8x1.25)(80)**.

STEP 8

Attach the **HANDRAIL(7)** to the **SEAT FRAME(6)** with **CARRIAGE BOLTS(M8x1.25x50mm)(99)** and **NYLOCK NUTS(M8x1.25)(80)**. Run the **PULSE SENSOR WIRES(104)** through the upright of the **SEAT FRAME(6)** and plug it into the socket on the **REAR FRAME(2)**.

STEP 9

Attach the **SEAT(36)** to the **SEAT FRAME(6)** with **HEX BOLTS(M8x1.25x15mm)(97)**. Attach the **BACK CUSHION(35)** to the **SEAT FRAME(6)** with **FLAT HEAD BOLTS(M8x1.25x40mm)(96)**.

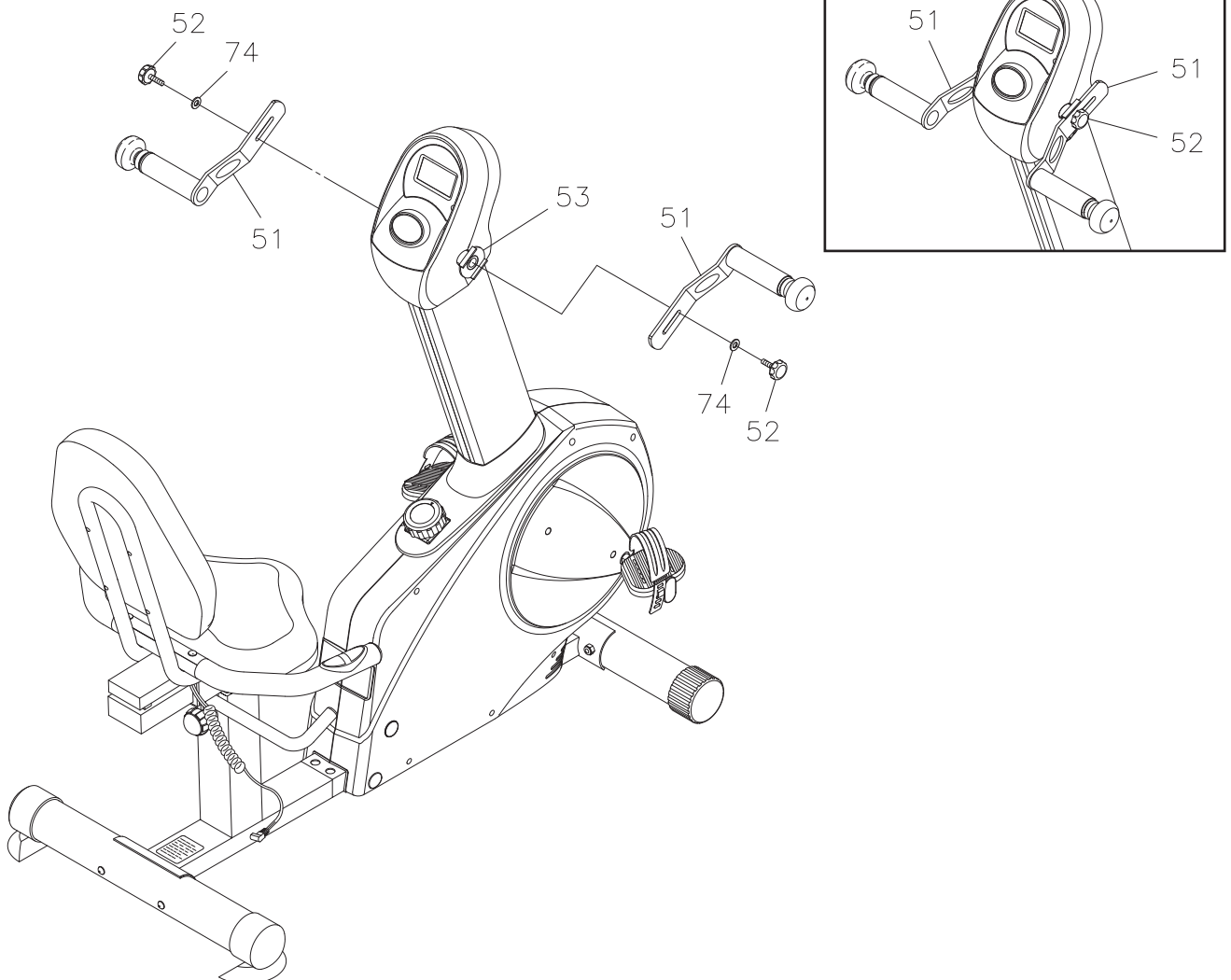


ASSEMBLY INSTRUCTIONS

STEP 10

Attach the **HANDLEBARS(51)** to the **MOUNTING BRACKETS(53)** with the **ADJUSTMENT KNOBS(52)** and **WASHERS(M8)(74)**.

NOTE: 1. The **HANDLEBARS(51)** may be assembled in two configurations. Refer to the inset drawing.
2. The meter operates with two AA batteries, the batteries are not included. See page 13 for detailed battery installation instructions.

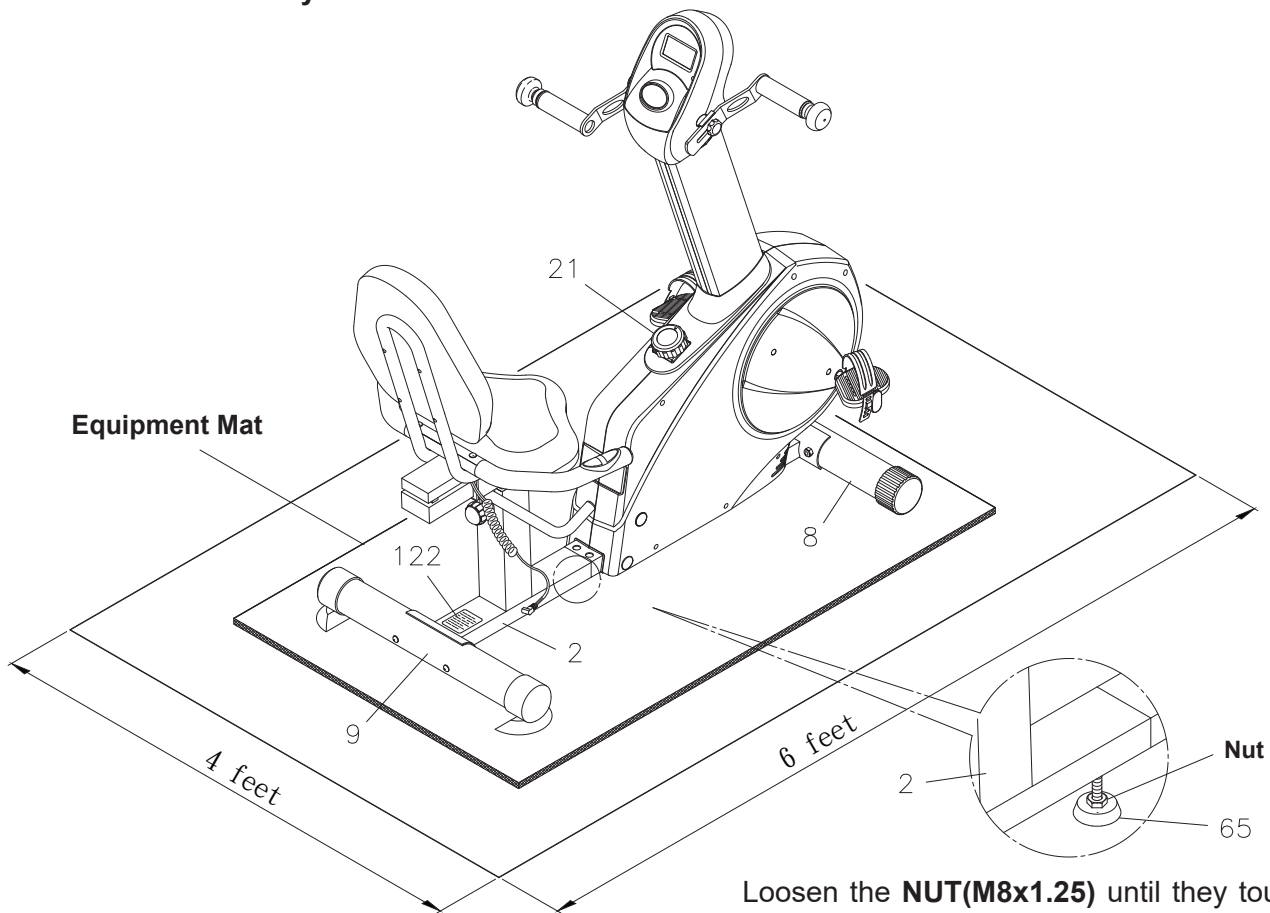


SET UP INSTRUCTIONS

Place the **Stamina® Elite Total Body Recumbent Bike** in the area where it will be used. It is recommended that the **Stamina® Elite Total Body Recumbent Bike** be placed on an equipment mat. The **Stamina® Elite Total Body Recumbent Bike** is approximately 49.6 inches long x 23.6 inches wide x 48.6 inches tall. (These dimensions may vary up to one inch.) An area 4 feet wide x 6 feet long is required for safe operation of the **Stamina® Elite Total Body Recumbent Bike**. Make sure that adequate space is available for access to and passage around the **Stamina® Elite Total Body Recumbent Bike**.

LEVELING: Place the **Stamina® Elite Total Body Recumbent Bike** on a flat surface and equipment mat to set it on the floor without rocking. Adjust the **STAND(65)** under the **REAR FRAME(2)** to get more support for the base of the **Stamina® Elite Total Body Recumbent Bike**.

MOVING: The **Stamina® Elite Total Body Recumbent Bike** has a pair of **WHEELS(76)** on the **FRONT STABILIZER(8)**. Lift up the **REAR STABILIZER(9)** to move the **Stamina® Elite Total Body Recumbent Bike**.



Loosen the **NUT(M8x1.25)** until they touch the **LEVELING STAND(65)**. Adjust the **LEVELING STAND(65)** for leveling. Tighten the **NUT (M8x1.25)** securely against the **REAR FRAME(2)** to lock the stand in position.

FUNCTION INSPECTION:

Visually inspect the **Stamina® Elite Total Body Recumbent Bike** to verify that assembly is as shown in the above illustration. Check the function of the **Stamina® Elite Total Body Recumbent Bike** by turning the pedal and then handlebar slowly through one complete revolution to verify that the drive train functions properly. Adjust the **TENSION KNOB(21)** and verify that it functions properly and the resistance changes.

CAUTION: Locate and read the **CAUTION LABEL(122)** on the **Stamina® Elite Total Body Recumbent Bike**. Make sure that all users read the **CAUTION LABEL(122)** before using the product.

OPERATIONAL INSTRUCTIONS

USING THE FITNESS METER

POWER ON: Pedal movement or press any button.

POWER OFF: Automatic shut off after four minutes of inactivity.
Resets all values to zero.

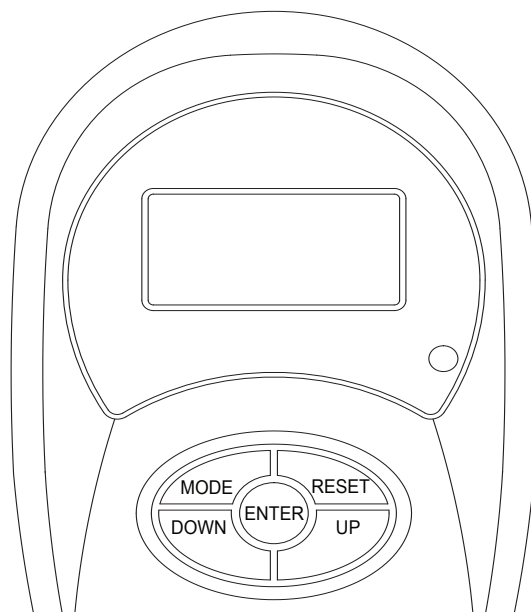
FUNCTION BUTTONS:

MODE : Press and release to select functions for display or to preset target values.

ENTER : Press to enter the setting and confirm the selected values of the setting mode.

UP & DOWN: These two buttons set target values for TIME, CALORIE, PULSE, and DISTANCE.

RESET : This button will reset each function to zero.
To reset all functions to zero, press the button and hold it down for two seconds.



PRESET VALUES OPERATION:

Stop pedaling for four seconds. Press the **ENTER** button to go to setting mode. The meter will cycle through the functions as follows and allow you to set the function values.

Time (0:00 to 99:00) → Calorie (0.0 to 999.0 Kcal) → Pulse (90 to 220 BPM) → Distance (0.0 to 999.9 mile)

Use **UP & DOWN** buttons to choose desired setting values and press **ENTER** button to confirm. Or, just press the **ENTER** button to skip the setting and move on to the next function. After all the desired setting are chosen, press the **ENTER** button to start workout.

FUNCTIONS:

SCAN: Automatically scans **TIME, SPEED, CALORIE, PULSE,** and **DISTANCE** in sequence with a change every six seconds. Press and release the **MODE** button until the “**SCAN**” appear on display.

TIME: Counts upward to 99:59 in one second increments once the meter is turned on. Counts down from preset value.

SPEED: Displays the current speed from zero to 45 miles per hour.

CALORIE: Displays the calorie consumption from zero to 999.9 Kcal. Counts down from preset value.

The calorie readout is an estimate for an average user. It should be used only as a comparison between workouts on this unit.

DISTANCE: Displays distance up to 999.9 miles in increments of 0.01 miles. Counts down from preset value.

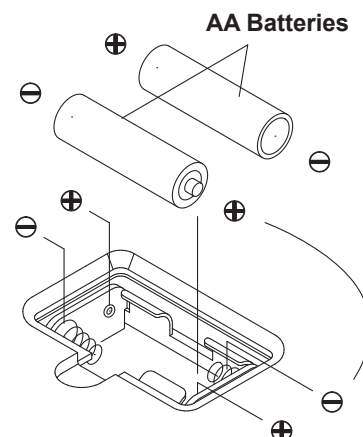
PULSE: Displays your pulse rate in beats per minute. To display pulse, select the PULSE MODE and grasp the pulse sensors on the handrail, one in each hand. The heart icon will begin flashing when the ELECTRONIC METER senses your pulse. Your pulse will be displayed approximately five (5) seconds after the heart icon is displayed. If the heart icon does not appear, relax your grip or change your grip on the pulse sensors. If you preset the PULSE value, the meter will warn you with an audible alarm when your pulse exceeds the set value. Stop exercising until your pulse comes down.

NOTE: The pulse function is a great tool to optimize your workout, but should be used as a reference only.

HOW TO INSTALL AND REPLACE BATTERIES:

1. Open the Battery Door on the back of the meter.
2. The meter operates with two AA batteries (1.5V each), the batteries are not included. Refer to the illustration to install or replace the batteries.

- NOTE:**
1. Do not mix a new battery with an old battery.
 2. Use the same type of battery. Do not mix an alkaline battery with another type of battery.
 3. Rechargeable batteries are not recommended.
 4. **Ultimate disposal of battery should be handled according to all state and federal laws and regulations.**
 5. **Do not dispose of batteries in fire.**



OPERATIONAL INSTRUCTIONS

NOTE: The **HANDLEBARS(51)** may be assembled in opposite directions or the same direction as shown in illustrations 1 and 2. Opposite directions as shown in illustration 1 is suggested for aerobic exercise.

ADJUST THE LENGTH OF THE ROTATING HANDLEBAR

Loosen the **ADJUSTMENT KNOBS(52)** and adjust the **HANDLEBARS(51)** to your ideal position. Tighten the knob to lock the handlebar in position. The **HANDLEBARS(51)** must be adjusted to the same position on both sides.

CAUTION: When using the **ROTATING HANDLEBARS(51)** and **PEDALS(25, 27)** at the same time, take precautions to avoid hitting your knees with the **HANDLEBARS(51)**.

1. Adjust the **HANDLEBARS(51)** to the shortest position.
2. Exercise so that the **RIGHT HANDLEBAR(51)** is up when the right knee is up and the **LEFT HANDLEBAR(51)** is up when the left knee is up.

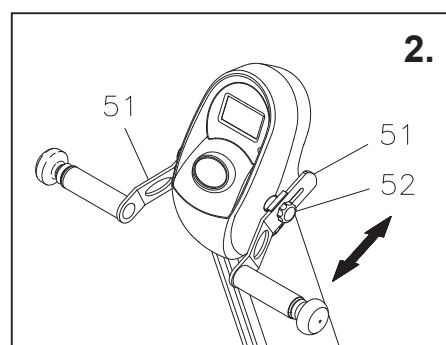
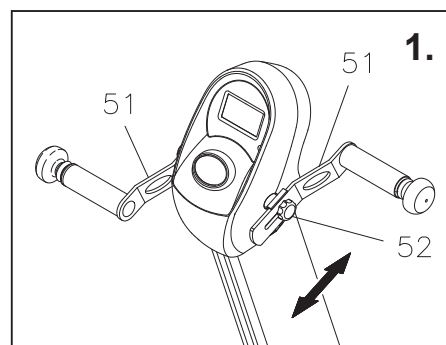
SEAT ADJUSTMENT

Proper seat adjustment is important.

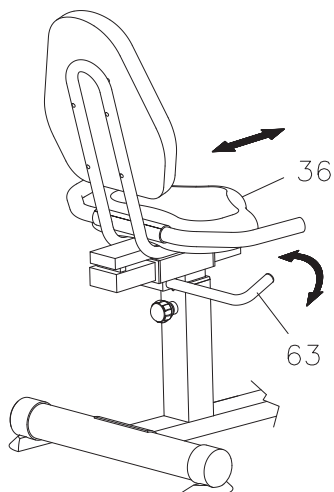
1. **HORIZONTAL ADJUSTING:** Turn the **SEAT ADJUSTMENT LEVER(63)** counterclockwise to loosen the **SEAT ASSEMBLY(36)**. Slide the **SEAT ASSEMBLY(36)** forward or backward to adjust the seat and tighten the **SEAT ADJUSTMENT LEVER(63)** clockwise after adjusting the seat to a new position. Refer to illustration 3.

NOTE: Please make sure to tighten the **SEAT ADJUSTMENT LEVER(63)** securely prior to use.

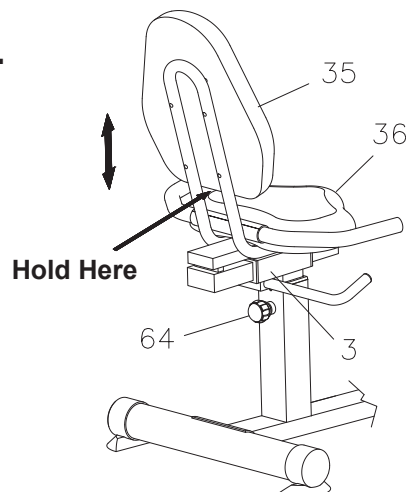
2. **HEIGHT ADJUSTING:** Hold the **BACK CUSHION(35)** as shown in illustration 4. Use other hand to loosen and pull the **SPRING KNOB(64)**. Slide the seat up or down to adjust. Release the knob and make sure it is inserted into one of the adjustment holes in the **SEAT POST(3)**. Tighten the **SPRING KNOB(64)**.
3. Sit on the seat and place your feet on the pedals. You should be able to move through a complete pedal stroke without locking your knees or shifting your hips on the seat. The seat is too close to the pedals if you have more than a slight bend in your knees at the bottom of the pedal stroke. The seat is too far from the pedals if you have to completely straighten your knees at the bottom of the pedal stroke.
4. Sit on the seat and hold the handlebars. You should be able to move through a complete rotational stroke with arms slightly bent. If your arm is too straight or your upper body leans forward too much, you will need to adjust the seat closer to the handlebar. If your arm is bent too much you will need to adjust the seat farther away from the handlebar.



3.



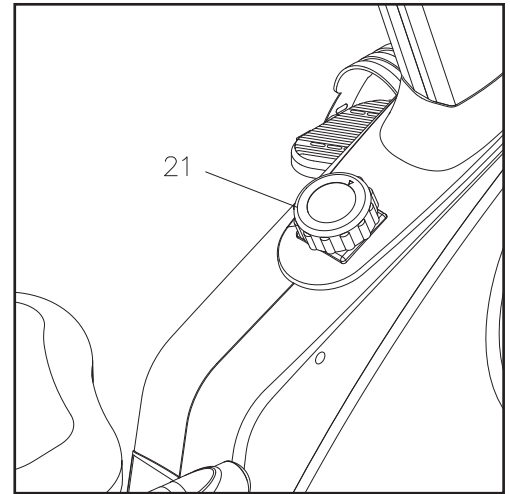
4.



OPERATIONAL INSTRUCTIONS

LOAD ADJUSTMENT

To increase the load, turn the **TENSION KNOB(21)** clockwise. To decrease the load, turn the **TENSION KNOB(21)** counterclockwise. There are eight levels for the load adjustment.



STORAGE

1. To store the **Stamina® Elite Total Body Recumbent Bike**, simply keep it in a clean dry place.
2. The **Stamina® Elite Total Body Recumbent Bike** is approximately 49.6 inches long x 23.6 inches wide x 48.6 inches tall. These dimensions will vary. Please measure your **Stamina® Elite Total Body Recumbent Bike** if exact dimensions are needed.
3. To move the **Stamina® Elite Total Body Recumbent Bike**, lift the **REAR STABILIZER(9)** and use the **WHEELS(76)** on the **FRONT STABILIZER(8)**.
4. To avoid damage to the electronics, remove the batteries before storing the **Stamina® Elite Total Body Recumbent Bike** for one year or more.

MAINTENANCE

The safety and integrity designed into the **Stamina® Elite Total Body Recumbent Bike** can only be maintained when the **Stamina® Elite Total Body Recumbent Bike** is regularly examined for damage and wear. Special attention should be given to the following:

1. Adjust the **TENSION KNOB(21)** and verify that it functions properly and the resistance changes.
2. Use a wrench to verify that the pedals are tightened securely. If tightening is required, remember that the left pedal has left hand threads and is tightened by turning counterclockwise.
3. Verify that all nuts and bolts are present and properly tightened. Replace missing nuts and bolts. Tighten loose nuts and bolts.
4. Verify that the **CAUTION LABEL(122)** is in place and easy to read. Call Stamina Products immediately at 1-800-375-7520 for a replacement **CAUTION LABEL(122)** if it is missing or damaged.
5. It is the sole responsibility of the user/owner to ensure that regular maintenance is performed.
6. Worn or damaged components must be replaced immediately or the **Stamina® Elite Total Body Recumbent Bike** removed from service until repair is made.
7. Only Stamina Products supplied components should be used to maintain/repair the **Stamina® Elite Total Body Recumbent Bike**.
8. Keep your **Stamina® Elite Total Body Recumbent Bike** clean by wiping it off with an absorbent cloth after use.

CONDITIONING GUIDELINES

How you begin your exercise program depends on your physical condition. If you have been inactive for several years or are severely overweight, start slowly and increase your workout time gradually. Increase your workout intensity gradually by monitoring your heart rate while you exercise.

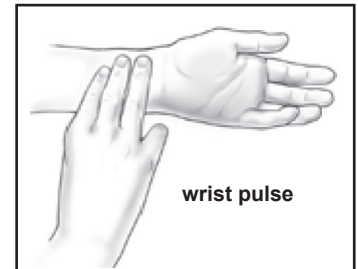
Remember to follow these essentials:

- Have your doctor review your training and diet programs.
- Begin your training program slowly with realistic goals that have been set by you and your physician.
- Warm up before you exercise and cool down after you work out.
- Take your pulse periodically during your workout and strive to stay within a range of 60% (lower intensity) to 90% (higher intensity) of your maximum heart rate zone. Start at the lower intensity, and build up to higher intensity as you become more aerobically fit.
- If you feel dizzy or lightheaded you should slow down or stop exercising.

Initially you may only be able to exercise within your target zone for a few minutes; however, your aerobic capacity will improve over the next six to eight weeks. It is important to pace yourself while you exercise so you don't tire too quickly.

To determine if you are working out at the correct intensity, use a heart rate monitor or use the table below. For effective aerobic exercise, your heart rate should be maintained at a level between 60% and 90% of your maximum heart rate. If just starting an exercise program, work out at the low end of your target heart rate zone. As your aerobic capacity improves, gradually increase the intensity of your workout by increasing your heart rate.

Measure your heart rate periodically during your workout by stopping the exercise but continuing to move your legs or walk around. Place two or three fingers on your wrist and take a six second heartbeat count. Multiply the results by ten to find your heart rate. For example, if your six second heartbeat count is 14, your heart rate is 140 beats per minute. A six second count is used because your heart rate will drop rapidly when you stop exercising. Adjust the intensity of your exercise until your heart rate is at the proper level.



Target Heart Rate Zone Estimated by Age*

Age	Target Heart Rate Zone (55%-90% of Maximum Heart Rate)	Average Maximum Heart Rate 100%
20 years	110-180 beats per minute	200 beats per minute
25 years	107-175 beats per minute	195 beats per minute
30 years	105-171 beats per minute	190 beats per minute
35 years	102-166 beats per minute	185 beats per minute
40 years	99-162 beats per minute	180 beats per minute
45 years	97-157 beats per minute	175 beats per minute
50 years	94-153 beats per minute	170 beats per minute
55 years	91-148 beats per minute	165 beats per minute
60 years	88-144 beats per minute	160 beats per minute
65 years	85-139 beats per minute	155 beats per minute
70 years	83-135 beats per minute	150 beats per minute

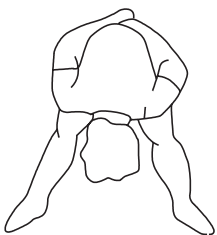
* For cardiorespiratory training benefits, the American College of Sports Medicine recommends working out within a heart rate range of 55% to 90% of maximum heart rate. To predict the maximum heart rate, the following formula was used: $220 - \text{Age} = \text{predicted maximum heart rate}$

WARM-UP and COOL-DOWN

Warm-Up The purpose of warming up is to prepare your body for exercise and to minimize injuries. Warm up for two to five minutes before strength training or aerobic exercising. Perform activities that raise your heart rate and warm the working muscles. Activities may include brisk walking, jogging, jumping jacks, jump rope, and running in place.

Stretching Stretching while your muscles are warm after a proper warm-up and again after your strength or aerobic training session is very important. Muscles stretch more easily at these times because of their elevated temperature, which greatly reduces the risk of injury. Stretches should be held for 15 to 30 seconds. Do not bounce.

Suggested Stretching Exercises



Lower Body Stretch

Place feet shoulder-width apart and lean forward. Keep this position for 30 seconds using the body as a natural weight to stretch the backs of the legs.

DO NOT BOUNCE!

When the pull on the back of the legs lessens, gradually try a lower position.

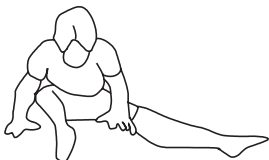


Floor Stretch

While sitting on the floor, open the legs as wide as possible. Stretch the upper body toward the knee on the right leg by using your arms to pull your chest to your thighs. Hold this stretch 10 to 30 seconds.

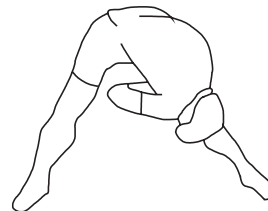
DO NOT BOUNCE!

Do this stretch 10 times. Repeat the stretch with the left leg.



Bent Torso Pulls

While sitting on the floor, have legs apart, one leg straight and one knee bent. Pull the chest down to touch the thigh on the leg that is bent, and twist at the waist. Hold this position at least 10 seconds. Repeat 10 times on each side.



Bent Over Leg Stretch

Stand with feet shoulder-width apart and lean forward as illustrated. Using the arms, **gently** pull the upper body towards the right leg. Let the head hang down. **DO NOT BOUNCE!**

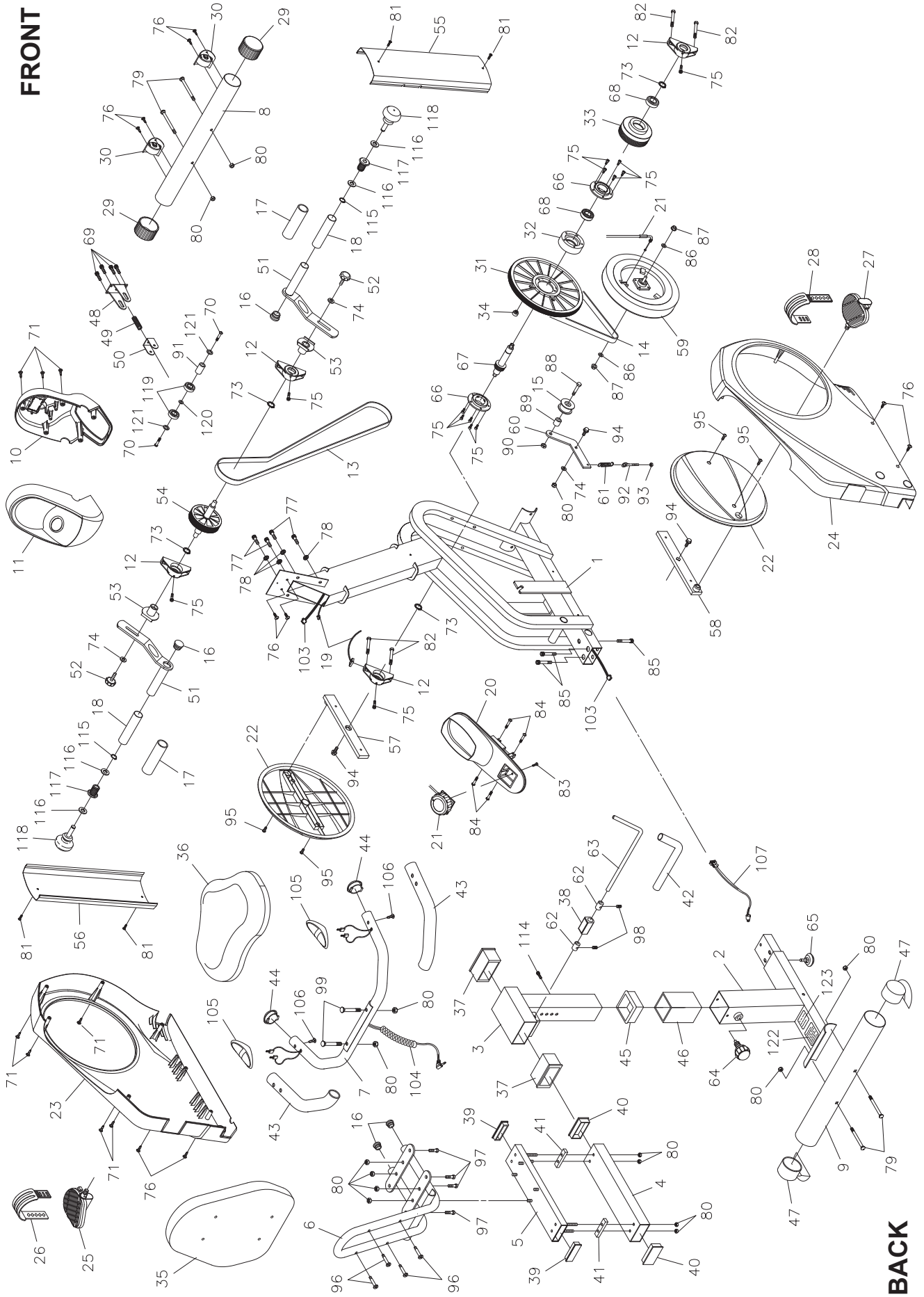
Hold the position a minimum of 10 seconds. Repeat pulling the upper body to the left leg. Do this stretch several times slowly.

Remember to always check with your physician before starting any exercise program.

Cool-Down The purpose of cooling down is to return the body to its normal, or near normal, resting state at the end of each exercise session. A proper cool-down slowly lowers your heart rate and allows blood to return to the heart. Your cool-down should include the stretches listed above and should be completed after each strength training session.

PRODUCT PARTS DRAWING

FRONT



BACK

PARTS LIST

PART#	PART NAME	QTY
1	Main Frame	1
2	Rear Frame	1
3	Seat Post	1
4	Sliding Tube	1
5	Seat Support Tube	1
6	Seat Frame	1
7	Handrail	1
8	Front Stabilizer	1
9	Rear Stabilizer	1
10	Back Meter Cover	1
11	Meter w/ Front Cover	1
12	Bearing Housing	4
13	Long V-Ribbed Belt (69 inch)	1
14	V-Ribbed Belt (43 inch)	1
15	Idler Wheel	1
16	Round Plug (25mm)	4
17	Grip	2
18	Rotating Sleeve	2
19	Speed Sensor Wire	1
20	Top Cover	1
21	Tension Knob	1
22	Crank Cover	2
23	Left Cover	1
24	Right Cover	1
25	Left Pedal	1
26	Left Pedal Strap	1
27	Right Pedal	1
28	Right Pedal Strap	1
29	Round Endcap (76mm)	2
30	Moving Wheel	2
31	Pulley (250mm)	1
32	Connection Wheel	1
33	Small Pulley (100mm)	1
34	Magnet	1
35	Back Cushion	1
36	Seat	1
37	Rectangular Bushing	2
38	Adjustment Block	1
39	Rectangular Plug (30mm x 60mm)	2
40	Rectangular Plug (40mm x 80mm)	2
41	Spacer	2
42	Lever Foam Grip	1
43	Handrail Foam Grip	2
44	Round Plug (32mm)	2
45	Hollow Cap	1
46	Bushing Sleeve	1
47	Stand Cap (76mm)	2
48	Idler Wheel Support Bracket	1
49	Pressing Spring	1
50	Idler Wheel Bracket	1
51	Handlebar	2
52	Adjustment Knob	2
53	Mounting Bracket	2
54	Upper Pulley (105mm)	1
55	Right AL Upright	1
56	Left AL Upright	1
57	Left Crank	1
58	Right Crank	1
59	Magnetic System	1
60	Idler Arm	1

PARTS LIST

PART#	PART NAME	QTY
61	Tension Spring	1
62	D Shape Spacer	2
63	Seat Adjustment Lever	1
64	Spring Knob	1
65	Stand	1
66	Free Wheel	2
67	Axle	1
68	Bearing (6004Z)	2
69	Bolt, Hex Head (M6 x 1 x 12mm)	4
70	Bolt, Hex Head (M6 x 1 x 10mm)	2
71	Screw, Round Head (M4 x 20mm)	8
73	C Ring (M20)	4
74	Washer (M8)	3
75	Screw, Round (M5 x 0.8 x 15mm)	14
76	Screw, Round Head (M5 x 18mm)	10
77	Bolt, Hex Head (M8 x 1.25 x 25mm)	4
78	Lock Washer (M8)	4
79	Carriage Bolt (M8 x 1.25 x 85mm)	4
80	Nylock Nut (M8 x 1.25)	15
81	Screw, Flat Head (M5 x 0.8 x 25mm)	4
82	Bolt, Hex Head (M8 x 1.25 x 60mm)	4
83	Screw, Round Head (M5 x 0.8 x 15mm)	1
84	Bolt, Hex Head (M6 x 1 x 30mm)	4
85	Bolt, Socket Head (M8 x 1.25 x 50mm)	3
86	Washer (M10)	2
87	Flange Nut (M10 x 1.25)	2
88	Bolt, Hex Head (M10 x 1.5 x 45mm)	1
89	Idler Wheel Spacer	1
90	Nylock Nut (M10 x 1.5)	1
91	Wheel Shaft	1
92	Eye Bolt	1
93	Nylock Nut (M6 x 1)	1
94	Flange Bolt (M8 x 1.25 x 25mm)	3
95	Bolt, Hex Head (M6 x 1 x 10mm)	4
96	Bolt, Flat Head (M8 x 1.25 x 40mm)	4
97	Bolt, Hex Head (M8 x 1.25 x 15mm)	4
98	Set Screw (M8 x 1.25 x 10mm)	2
99	Carriage Bolt (M8 x 1.25 x 50mm)	2
103	Pulse Connection Wire	1
104	Pulse Sensor Wire	1
105	Pulse Sensor Plate	2
106	Screw, Round Head (M4 x 25mm)	2
107	Pulse Extension Wire	1
109	Allen Wrench (4mm)	1
110	Allen Wrench (5mm)	1
111	Allen Wrench (6mm)	1
112	Combination Wrench (13mm and 15mm)	1
113	Manual	1
114	Bolt, Socket Head (M6 x 1 x 15mm)	1
115	E Ring (12mm)	2
116	Washer (ø13 x ø21 x 1mm Thick)	4
117	Bushing Plug	2
118	Handle Knob	2
119	Bearing (6300Z)	2
120	Washer (ø10 x ø25 x 1mm Thick)	1
121	Spacer (ø10 x ø14 x 2mm)	2
122	Caution Label	1
123	Serial Decal	1

LIMITED WARRANTY

MODEL 15-9122A

WARRANTY

Stamina Products, Inc. ("Stamina") warrants to the original purchaser that this product will be free from defects in materials and workmanship that arise under normal use, service, proper assembly and proper operation in accordance with product warnings/instructions for a period of 90 days on the parts and five years on the frame from the date of the original purchase from an authorized retailer. **THIS WARRANTY SHALL NOT APPLY TO ANY PRODUCT WHICH HAS BEEN SUBJECT TO COMMERCIAL USE, ABUSE, MISUSE, ALTERATION OF ANY KIND OR TO ANY DEFECT OR CHANGE CAUSED BY IMPROPER ASSEMBLY, REPAIR, REPLACEMENT, SUBSTITUTION OR USE WITH PARTS NOT PROVIDED BY STAMINA.** Commercial use includes use of product in athletic clubs, health clubs, spas, gyms, and all other public or semipublic facilities whether or not the product's use is in furtherance of a profit making enterprise, and all other use which is not for personal purposes.

To implement this limited warranty, send a written notice stating your name, date, and place of purchase and a brief description of the defect along with your receipt to Stamina Products, Inc. 2040 N Alliance Ave, Springfield, Missouri, USA, MO 65803, or email us at customer.care@staminaproducts.com, or call us at 1-800-375-7520. If the defect is covered under this limited warranty, you will be requested to return the product or part to us for free repair or replacement at our option.

NO ACTION FOR BREACH OF THIS LIMITED WARRANTY MAY BE COMMENCED MORE THAN ONE (1) YEAR AFTER THE DATE THE ALLEGED BREACH WAS OR SHOULD HAVE BEEN DISCOVERED. NO ACTION FOR BREACH OF ANY IMPLIED WARRANTY (INCLUDING MERCHANTABILITY AND FITNESS FOR A PARTICULAR PURPOSE) MAY BE COMMENCED MORE THAN ONE (1) YEAR AFTER DELIVERY OF THE PRODUCT TO THE PURCHASER. These warranties are not transferable. **IF ANY PART OF THE PRODUCT IS NOT IN COMPLIANCE WITH THIS LIMITED WARRANTY OR ANY IMPLIED WARRANTY, THE REMEDY OF REPAIR OR REPLACEMENT IS THE EXCLUSIVE REMEDY.** If any claim is made under this limited warranty or any implied warranty, Stamina reserves the right to require the product to be returned for inspection, at the purchaser's expense, to Stamina's premises in Springfield, Missouri. Return of the enclosed warranty registration card is not required for warranty coverage, but is merely a way of establishing the date and place of purchase.

Stamina **SHALL NOT BE LIABLE FOR THE LOSS OF USE OF ANY PRODUCT, LOSS OF TIME, INCONVENIENCE, COMMERCIAL LOSS OR ANY OTHER INDIRECT, CONSEQUENTIAL, SPECIAL OR INCIDENTAL DAMAGES DUE TO BREACH OF THE ABOVE WARRANTY OR ANY IMPLIED WARRANTY.**

THIS LIMITED WARRANTY IS THE ONLY EXPRESS WARRANTY. NO ORAL OR WRITTEN INFORMATION GIVEN BY STAMINA, ITS AGENTS OR EMPLOYEES, SHALL CREATE A WARRANTY OR IN ANY WAY INCREASE THE SCOPE OF THIS WARRANTY. This warranty gives you specific legal rights, and you may also have other legal rights which vary from state to state. **ANY OTHER RIGHT WHICH YOU MAY HAVE, INCLUDING ANY IMPLIED WARRANTY OF MERCHANTABILITY OR FITNESS FOR A PARTICULAR PURPOSE, IS LIMITED IN DURATION TO THE DURATION OF THIS WARRANTY.**

The laws in some states affect the disclaimer or limitation of implied warranties and consequential and incidental damages. If any such law is found applicable, the foregoing disclaimers and limitations of and on implied warranties and consequential and incidental damages shall be deemed to be modified to the extent necessary to comply with applicable law.

NOTES

TO CONTACT CUSTOMER CARE

For your convenience, Stamina's customer care representatives can be reached by email at customer.care@staminaproducts.com or by phone at 1-800-375-7520 (in the U.S.). Our customer care representatives are available Monday through Thursday from 7:30 a.m. until 5:00 p.m., and Friday 8:00 a.m. until 3 p.m. Central Time.



**ONLINE
CUSTOMER CARE**
customer.care@staminaproducts.com
www.staminaproducts.com



**TELEPHONE
CUSTOMER CARE**
Tel: 1 (800) 375-7520



**FAX
CUSTOMER CARE**
Fax: (417) 889-8064



MAIL
STAMINA PRODUCTS, INC.
ATTN: Customer Care
2040 N Alliance Ave, Springfield, MO 65803

Would you like to receive email information or special offers from Stamina Products? Register at contact.staminaproducts.com

TO REGISTER YOUR PRODUCT

To enact your warranty, please register your product by going to register.staminaproducts.com. Please have your product model number (printed on the cover of this owner's manual) and the serial number (printed on the black and white sticker on your product) ready.

If you don't have internet access, you can call customer care at 1-800-375-7520, or fill out and mail the product registration form below to Stamina Products, Inc.; 2040 N Alliance Ave, Springfield, MO 65803.

PRODUCT REGISTRATION FORM		Stamina Products, Inc. 2040 N Alliance Ave, Springfield, MO 65803	
Model Number:		Serial Number:	
Product Name:			
Place Purchased:			
Date of Purchase:		Purchase Price:	
First Name:		Last Name:	
City:	State:	Phone #: ()	Zip Code:
Email Address:		Phone #: ()	
Would you like to receive email information or special offers from Stamina Products?* <input type="checkbox"/> Yes <input type="checkbox"/> No *If yes, be sure your email address is included above.			



Detach and Mail or Fax the Form Above



TO ORDER PARTS

If there are missing or damaged parts, you can go to parts.staminaproducts.com and order those parts. If you have questions, please contact customer care. Do not return the product. To order parts by mail, fill out the sheet below and fax it to 417-889-8064. The part will be mailed to your address.



Detach and Mail or Fax the Form Below



PARTS ORDER FORM		Stamina Products, Inc. 2040 N Alliance Ave, Springfield, MO 65803	
Mr./Ms:			
Address:		Apt. #:	
City:	State:	Zip Code:	
IMPORTANT : We require your phone number to process the order!			
Phone #: ()		Work Phone #: ()	
Date of Purchase:			
Model #:			
Purchased From:			
IMPORTANT: Before filling out the portion below, make sure you have the correct information. Refer to the parts list to make sure you're ordering the right parts!			
PART #	DESCRIPTION	QUANTITY	
EXAMPLE: 1	Rear Unit Assembly	1	