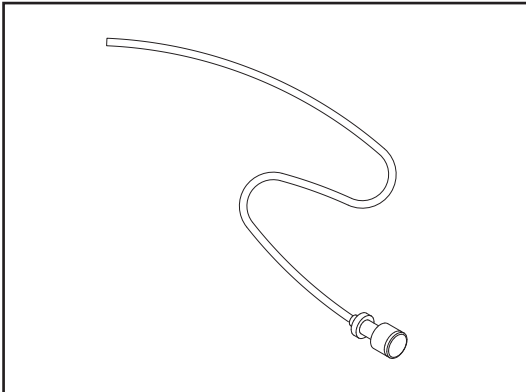


AeroPilates® *LIGHT* RESISTANCE CORD



Owner's Manual

Safety Instructions

Customer Service

Operation

Warranty

SAFETY INSTRUCTIONS

⚠ WARNING This product contains a chemical known to the State of California to cause cancer and birth defects or other reproductive harm.

⚠ CAUTION Consult your physician before starting this or any exercise program. This is especially important if you are over the age of 35, have never exercised before, are pregnant, or suffer from any health problem. This product is for home use only. Do not use in institutional or commercial applications. Failure to follow all warnings and instructions could result in bodily injury and property damage.

⚠ CAUTION The AeroPilates® *LIGHT RESISTANCE CORD* contains natural rubber latex which may cause allergic reactions.

⚠ WARNING To reduce the risk of serious injury, read the following Safety Instructions before using the AeroPilates® *LIGHT RESISTANCE CORD*.

1. Read this Owner's Manual and follow it carefully before installing the **AeroPilates® *LIGHT RESISTANCE CORD***.
2. The **AeroPilates® *LIGHT RESISTANCE CORD*** is for use with products distributed by Stamina Products, Inc. Do not use the **AeroPilates® *LIGHT RESISTANCE CORD*** with products not distributed by Stamina Products, Inc.

This Product is Distributed Exclusively by



2040 N. Alliance, Springfield, MO 65803

Customer Service

1 (800) 375-7520

customerservice@staminaproducts.com

www.staminaproducts.com

When calling for parts or
service, please specify the
following number:

05-0103

MADE IN TAIWAN

© 2012 Stamina Products, Inc.
2012, 03

ASSEMBLY INSTRUCTIONS

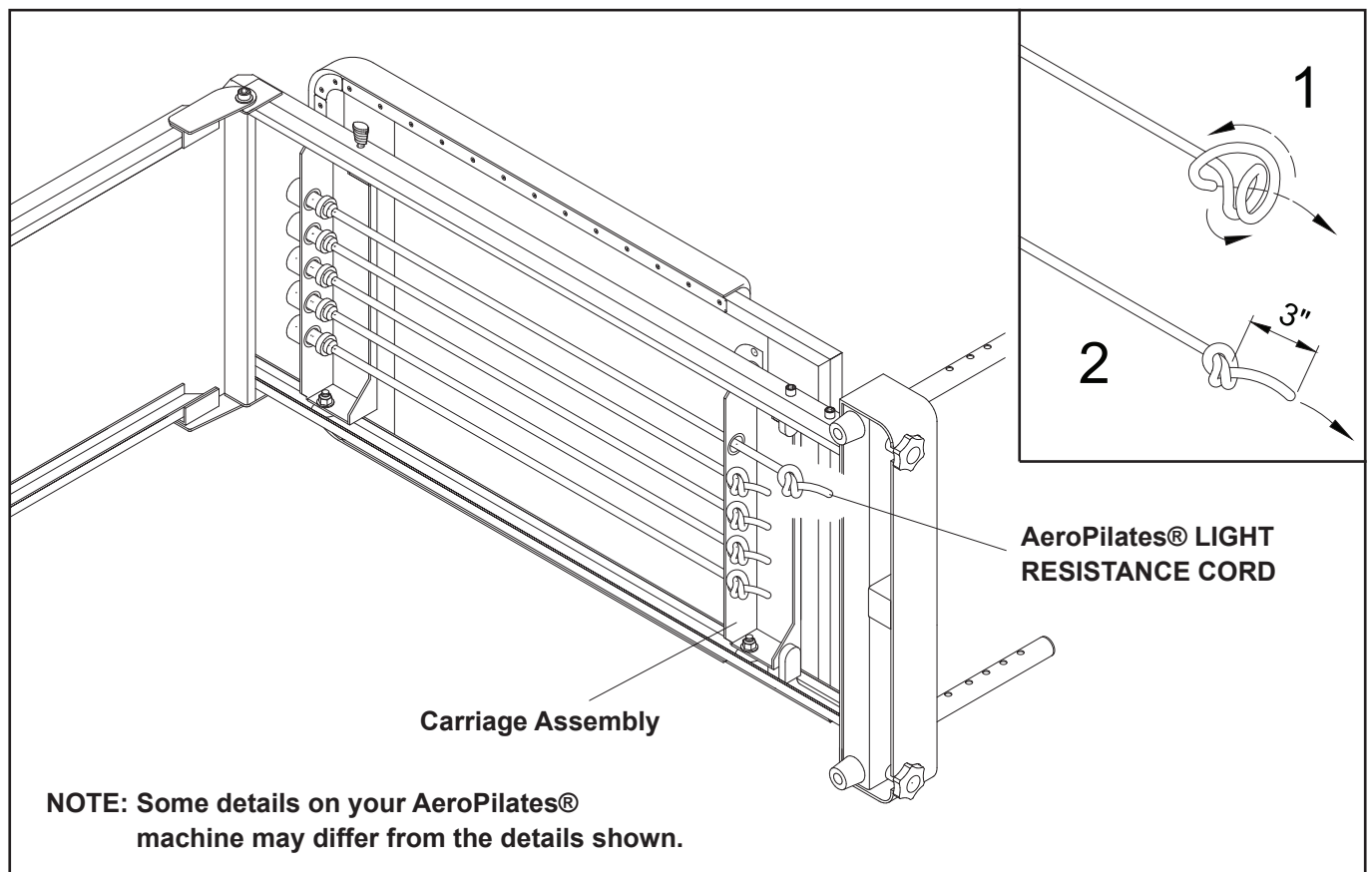
NOTE: The **AeroPilates® LIGHT RESISTANCE CORD** can be used to replace any of the Tension Cords on your **AeroPilates®** unit. Install **AeroPilates® LIGHT RESISTANCE CORDS** in a balanced manner such that the highest resistance Tension Cords are in the center of the Carriage Assembly and the **AeroPilates® LIGHT RESISTANCE CORDS** are on the outside as shown in the diagram.

STEP 1: Disconnect all Tension Cords from the slots in the **FRONT FRAME**.

STEP 2: Turn the **AeroPilates®** machine on its side.

STEP 3: Untie and remove the existing Tension Cord. Make sure that the bushings remain in place.

STEP 4: Install the new **AeroPilates® LIGHT RESISTANCE CORD**. Stretch the **AeroPilates® LIGHT RESISTANCE CORD** and tie the knot shown in the inset illustration below. Position the knot so that all slack is removed from the cord.



LIMITED WARRANTY

This product is warranted to be free from defects in material and workmanship and to be in perfect working order at the time of purchase. This warranty applies to personal, family or household use. This warranty does not apply to use in athletic clubs, health clubs, spas, gymnasiums, exercise facilities, and other public or semipublic facilities.

If the product should, for any reason, become defective within 90 days of purchase, the manufacturer will replace the product once it is returned to the manufacturer. This warranty does not apply to any damage caused by accident, return transit, alteration, abuse, or misuse. There are no other warranties other than those expressly set forth herein.

Products shipped to the manufacturer must be in the original shipping carton with freight prepaid. All expenses for repairing or replacing the product, including the cost of shipping it back to the original purchaser, will be covered by the manufacturer. This warranty gives you specific legal rights, and you may have other rights which vary from state to state.