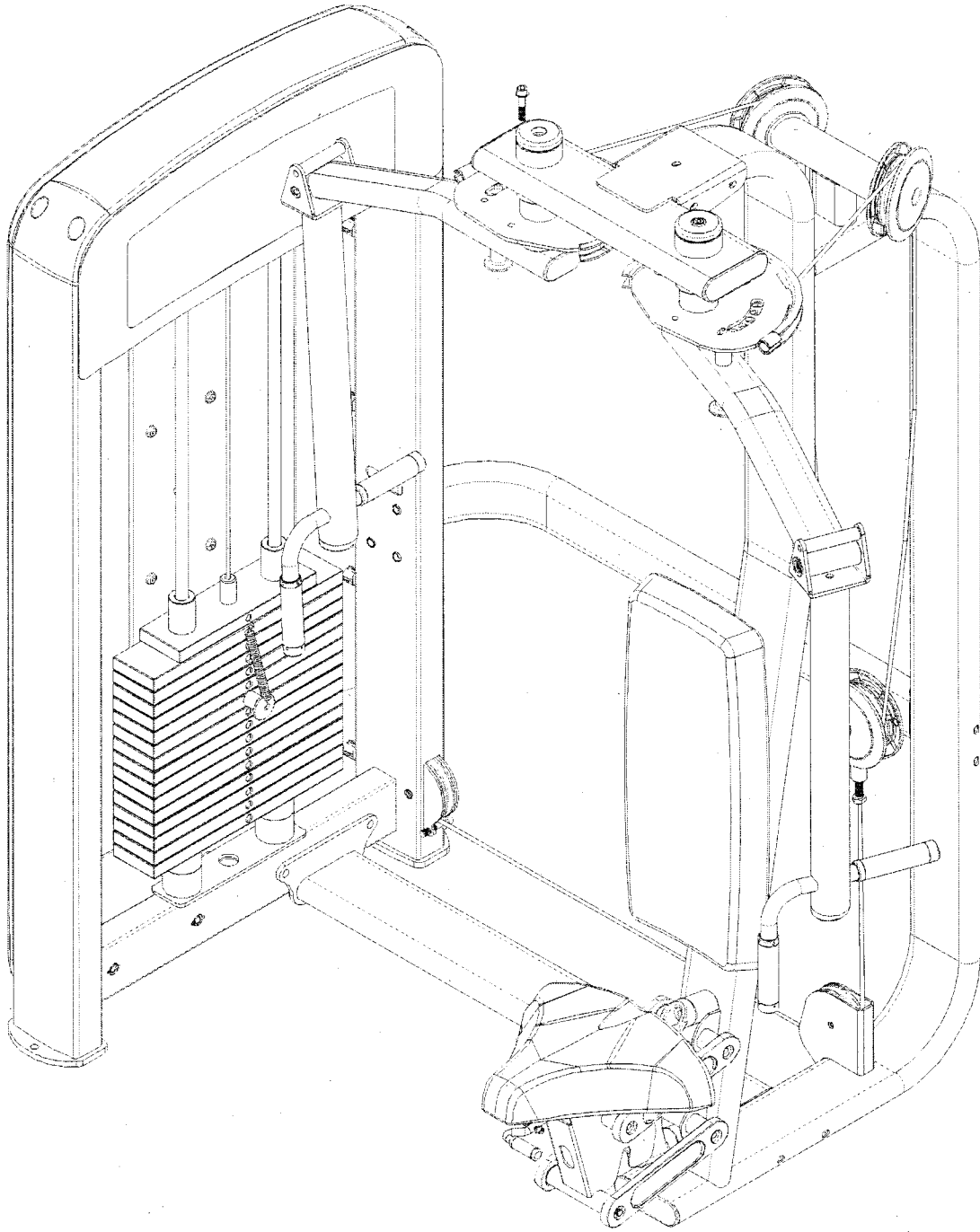


REAR DELT/FLY



MDE-15 REAR DELT/FLY

User Manual

Contents

- 01/ Safety
- 02/ Installation chart & list
- 03/ Product description
- 04/ Product specification
- 05/ Maintenance
- 06/ Troubleshooting guides
- 07/ Warranty

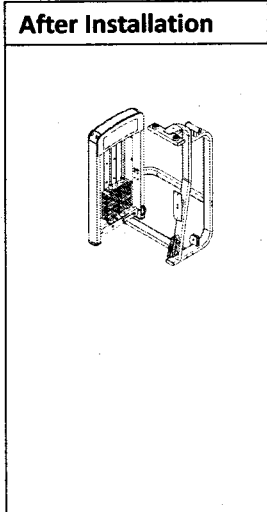
01/ Safety

Welcome to choose our product. It is a guarantee to your safety and convenience if you use our product properly. Please read the followings carefully before using our product:

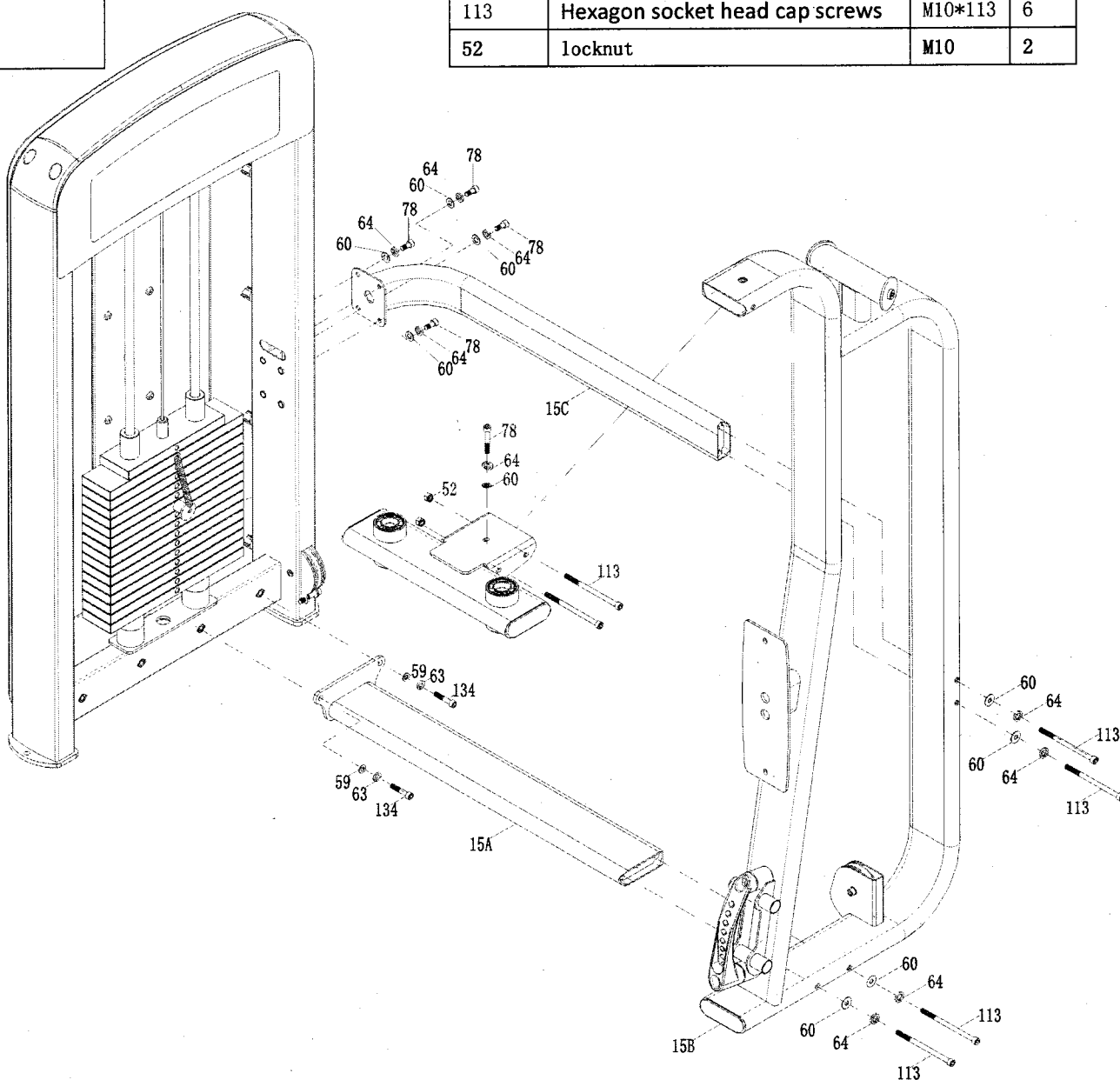
1. Please read all the instructions carefully before using our product. Follow the rules strictly, and keep this manual within the lifetime of this product.
2. Product owner should ensure all the users of this product to know all the matters and attention.
3. Keep air flow and fresh during your workout, and be sure you have enough space.
4. Users are obliged for the good maintenance of the equipment. Before using, or install the equipment, check all the parts are fixed. Check all the parts regularly.
5. If the equipment broken, please contact the distributors or after-sales department. Do not use it before it repaired.
6. Before using the equipment, please wear properly and bundle up the hair for ladies
7. Please do warm up exercise before using the equipment.
8. If you feel dizzy, pain or some other abnormal symptom, please stop your exercise, and go to see doctors.
9. Children should use the equipment under adult' s guardianship.
10. Warning! Keep hands and feet away from moving parts.
11. Warning! Do not do over adjustments.
12. Warning! Children or pets away from the equipment during your workout.
13. Warning! Any adjustable parts should be properly adjusted.
14. Warning! Please use this equipment correctly to avoid any injury.
15. We suggest you should use this equipment in supervision area.

02/Installation chart & list

1) Step 1

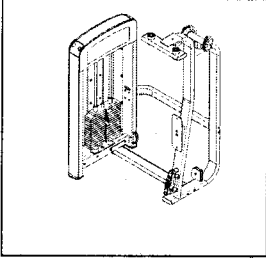


List for this step			
Model	Name	Spec	Qty
15A	Under Connecting pipe		1
15B	Upper Connecting pipe		1
15C	frame		1
59	Flat spacer	Φ 12	2
60	Flat spacer	Φ 10	9
63	Flat spacer	Φ 12	2
64	Flat spacer	Φ 10	9
78	Hexagon socket head cap screws	M10*25	5
113	Hexagon socket head cap screws	M10*113	6
52	locknut	M10	2



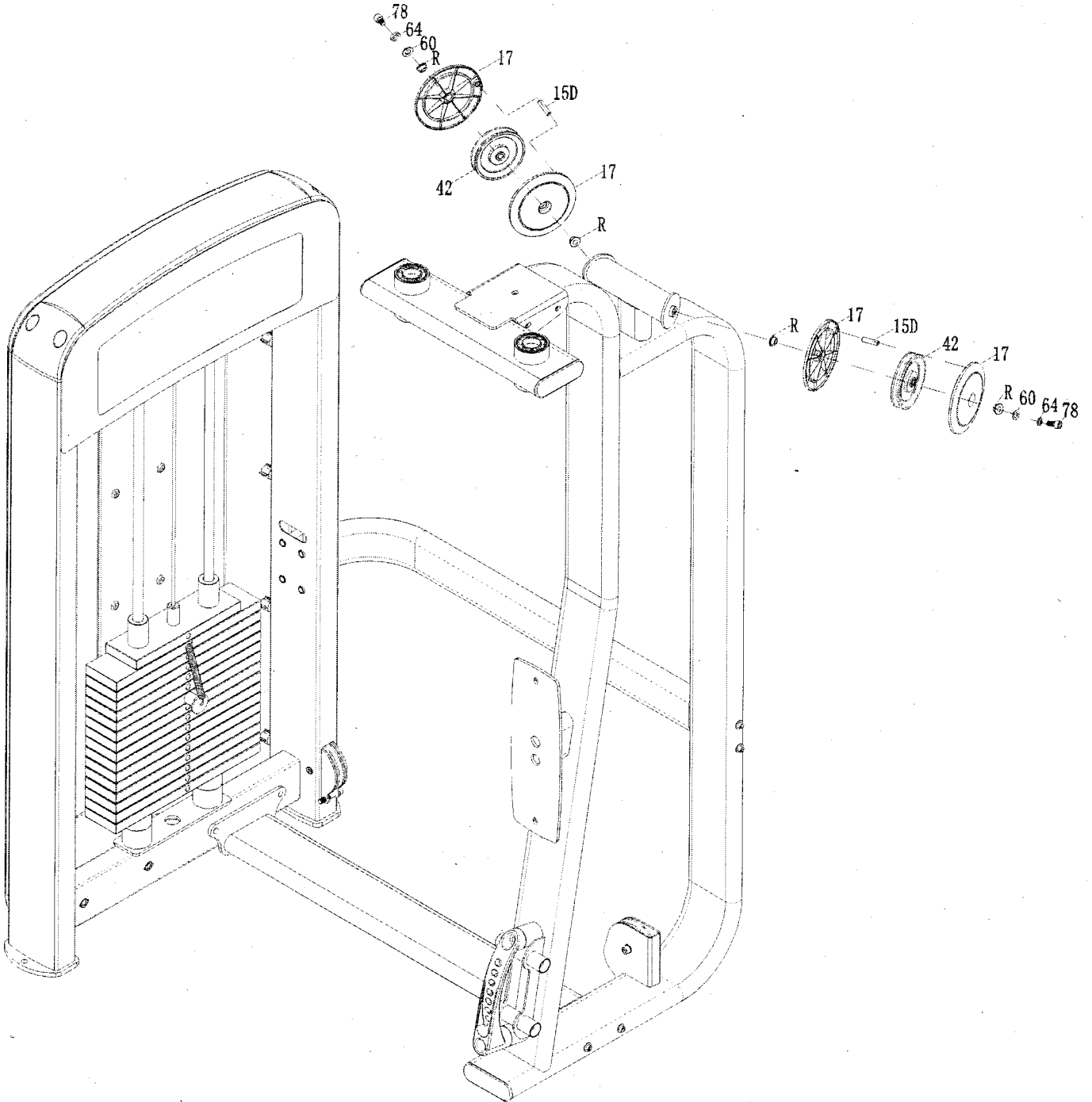
2) Step 2

After Installation

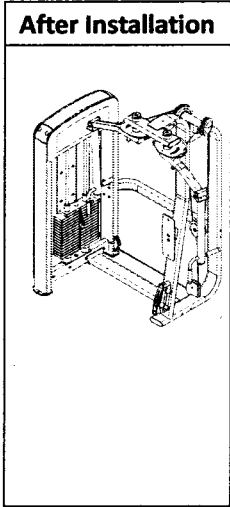


List for this step

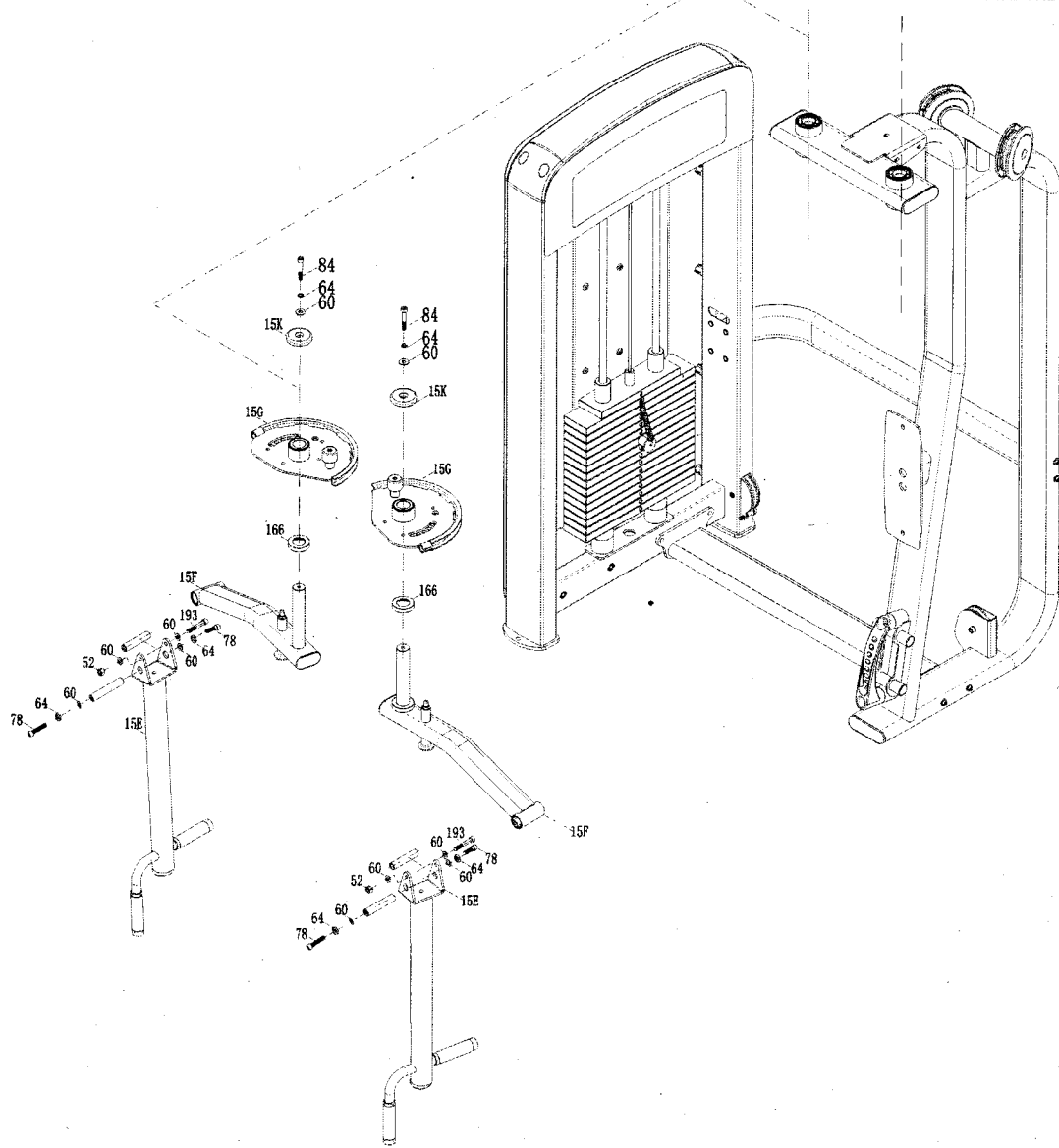
Model	Name	Spec	Qty
R	Powder metallurgical sheath	10.1*16*22.2*9.5	4
15D	check rails	Φ 10*36	2
17	Wheel cover	φ 152*Φ 16.5*16	4
42	115 pulley	φ 115.5*φ 10.5*25	2
60	Flat spacer	Φ 10	2
64	Flat spacer	Φ 10	2
78	Hexagon socket head cap screws	M10*25	2



3) Step 3

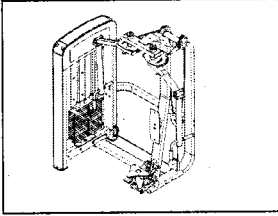


List for this step			
Model	Name	Spec	Qty
15H	axis	Φ 20*105	2
15E	Handle tube		2
15F	Drive plane		2
15G	CAM (R)		2
15H	CAM (L)		2
15M	Limit gear	Φ 10. 3* Φ 10*92. 5	2
52	Looser nut	M10	2
60	Flat spacer	Φ 10	8
64	Flat spacer	Φ 10	6
78	Hexagon socket head cap screws	M10*25	4
84	Hexagon socket head cap screws	M10*30	2
166	Interval cover	Φ 35. 1*60*12. 5	2
193	Hexagon socket head cap screws	M10*120	2



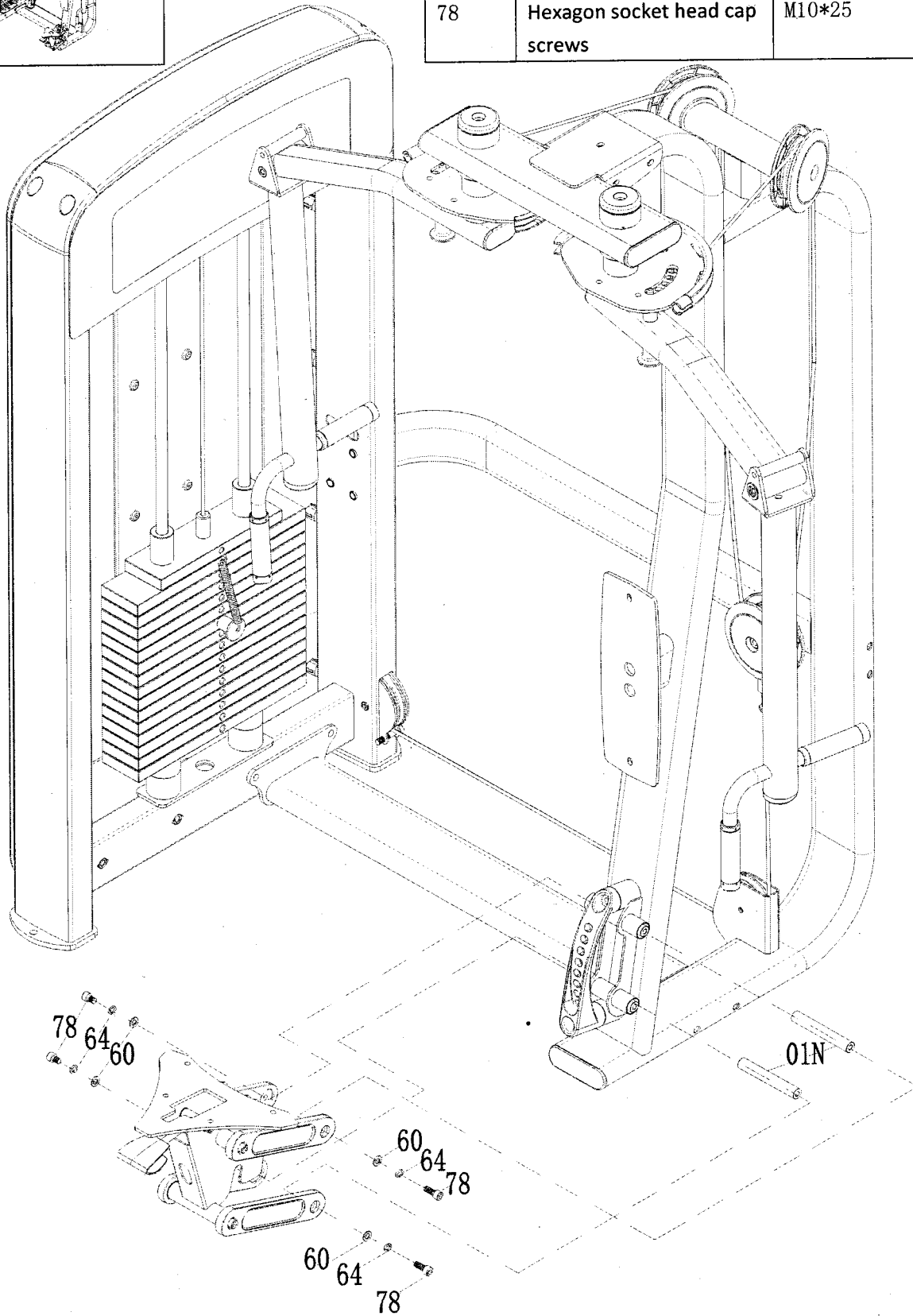
4) Step 4

After Installation



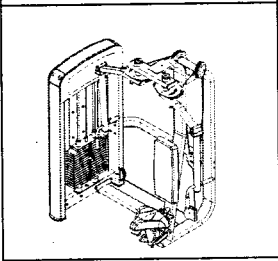
List for this step

Model	Name	Spec	Qty
60	Flat spacer	Φ 10	4
64	Flat spacer	Φ 10	4
78	Hexagon socket head cap screws	M10*25	4



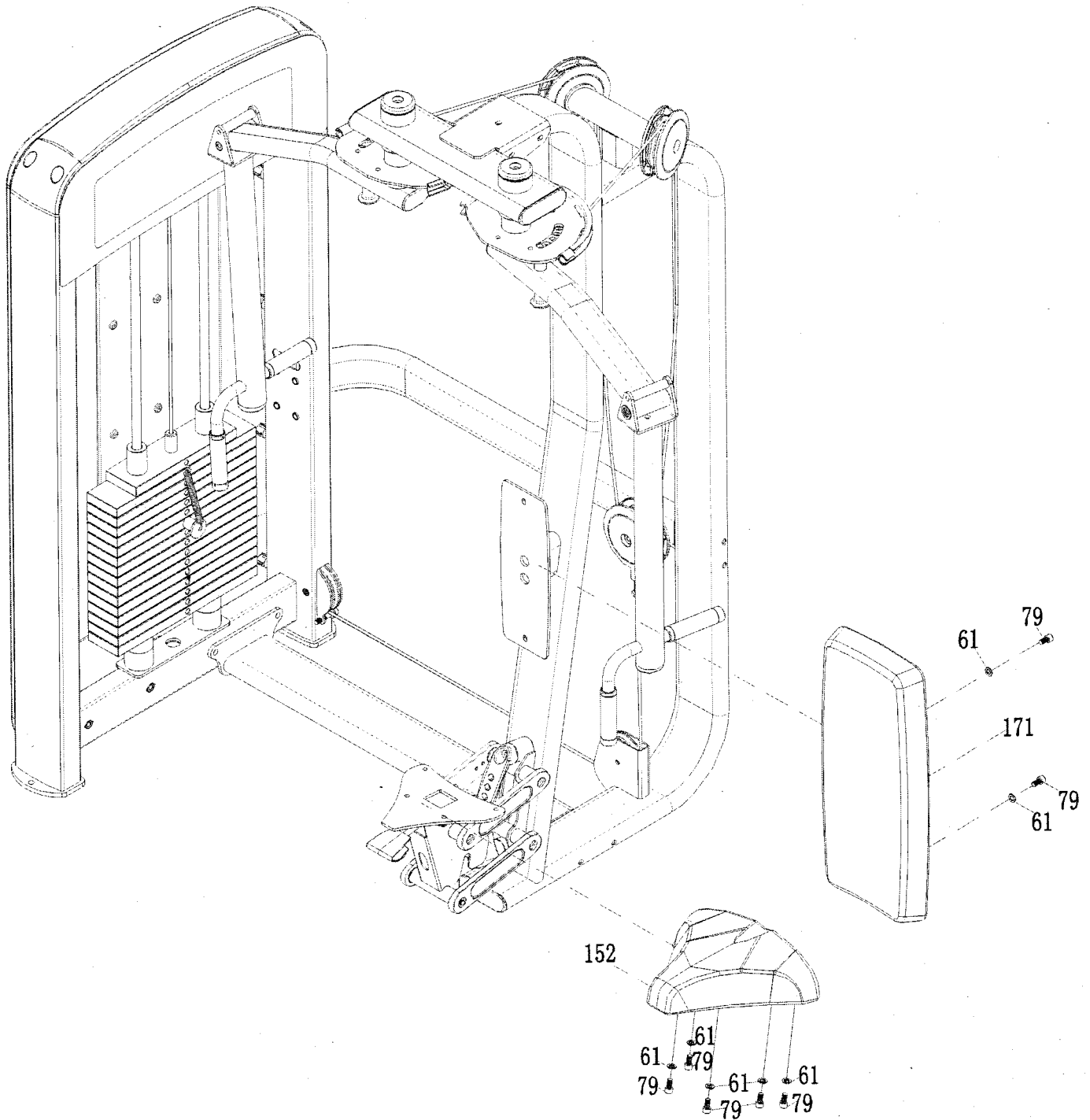
5) Step 5

After Installation

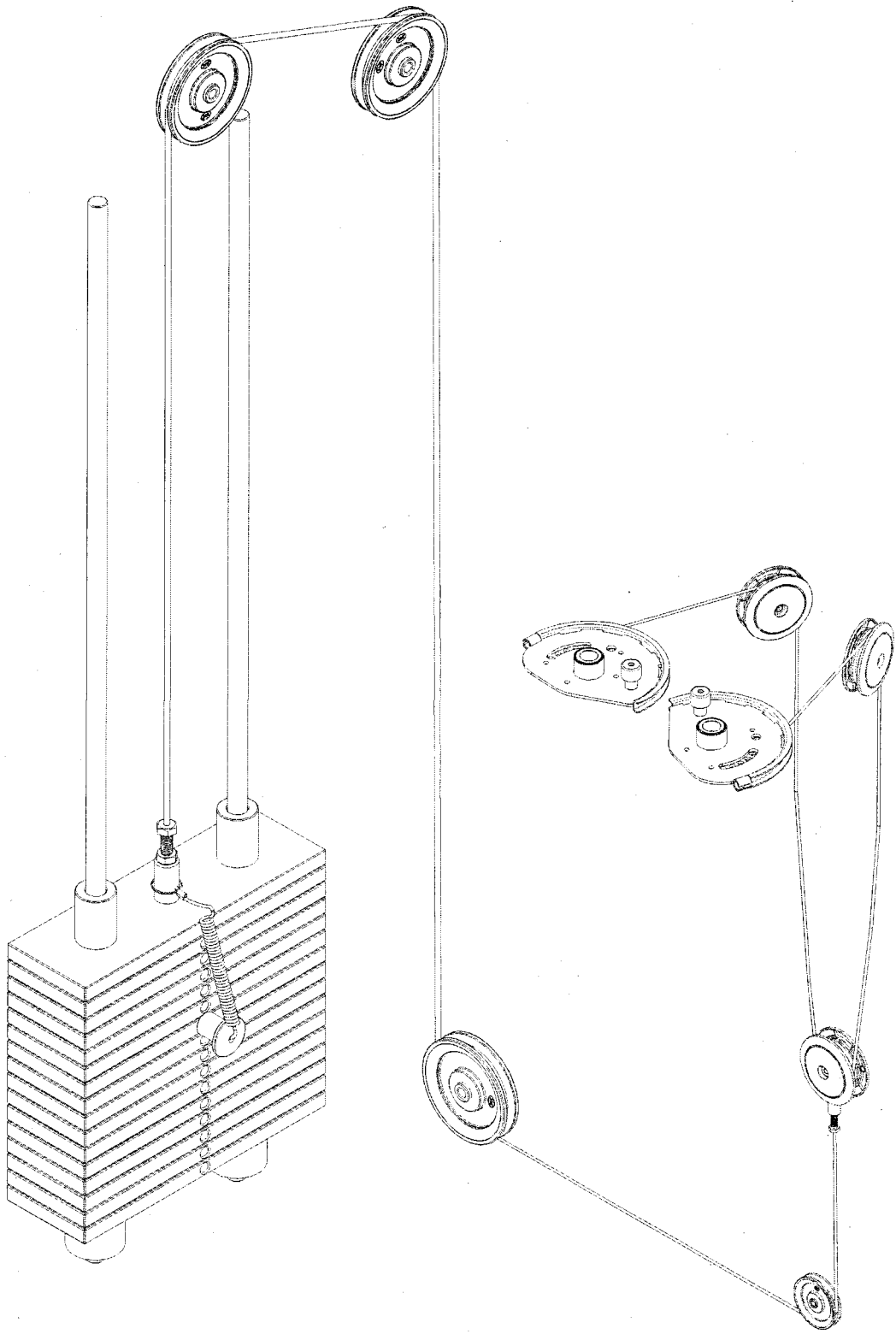


List for this step

Model	Name	Spec	Qty
61	Flat spacer	Φ 8	6
79	Hexagon socket head cap screws	M8*25	6
152	cushion	383. 48*324. 19*83. 57	1
171	cushion	276. 4*645*63. 5	1



6) Step 6
wire rope chart



03/ Product description

This equipment is for indoor use, in order to improve your cardio and muscles. It trains your chest muscles and others.

You can choose the stack weight in order to get the weights or resistance you need.

You can read the placards in order to use the equipment properly.

The equipment is designed and produced according to human engineering, which can assure the safety and durability.

The equipment is designed and produced according to human engineering, strictly under GB17498.1-2008 GB17498.2-2008 standard.

The equipment is made of steel and of powder coating process, which assure the safety and durability

04/Product specification

Name	Rear Delt/Fly	Model	MDE-15
Assembly area	1130*1050*2050	Weight stack	200 pounds
NW	Kg	Grade	S
Category: type S ; professional/commercial use type H; home use			

05/Maintenance

1. Please check all the screws regularly.
2. Keep the equipment clean. Do not use strong solvent.

If weighted spare parts abrasion or broken, please change it at once.

06/Troubleshooting guides

07/Warranty

1. Warranty scope

It adopts to the situation that users use the equipment properly. Non-negotiable.

2. Warranty 1 year starts from the equipment leaving our factory

The followings are inapplicable for the warranty

- (1) Misuse the equipment, accidents or modify without notification
- (2) Breakdown of those who improperly adjust the weight stack pin.
- (3) Breakdown of those who improperly maintain.

Breakdown of other improper operations.