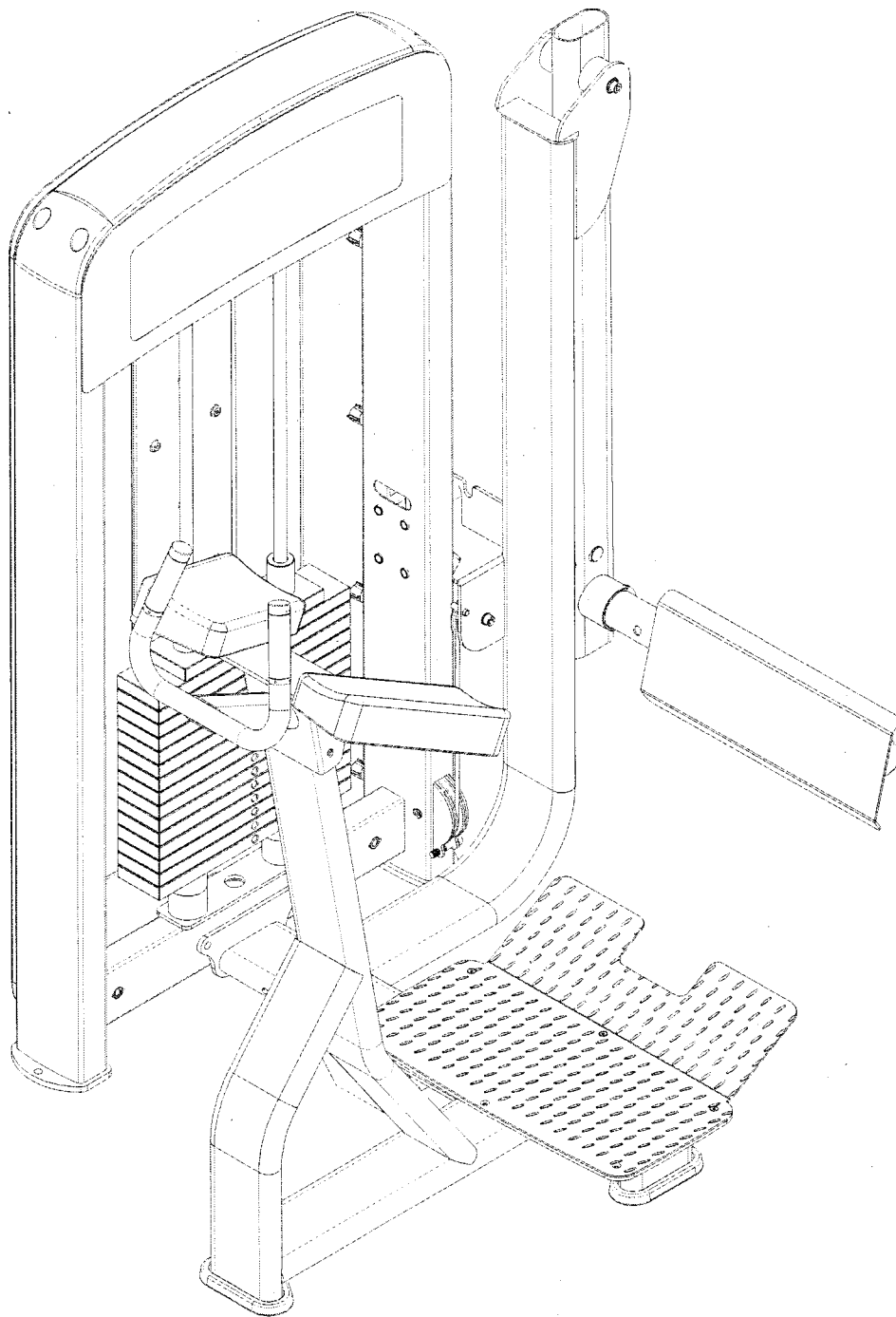


# Glute



**MDE-07A Glute**

**User Manual**

V20170115

# Contents

- 01/Safety
- 02/Installation chart & list
- 03/ Product description
- 04/ Product specification
- 05/ Maintenance
- 06/ Troubleshooting guides
- 07/ Warranty

## 1/ Safety

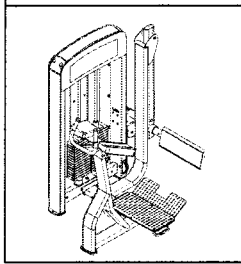
Welcome to choose our product. It is a guarantee to your safety and convenience if you use our product properly. Please read the followings carefully before using our product:

1. Please read all the instructions carefully before using our product. Follow the rules strictly, and keep this manual within the lifetime of this product.
2. Product owner should ensure all the users of this product to know all the matters and attention.
3. Keep air flow and fresh during your workout, and be sure you have enough space.
4. Users are obliged for the good maintenance of the equipment. Before using, or install the equipment, check all the parts are fixed. Check all the parts regularly.
5. If the equipment broken, please contact the distributors or after-sales department. Do not use it before it repaired.
6. Before using the equipment, please wear properly and bundle up the hair for ladies
7. Please do warm up exercise before using the equipment.
8. If you feel dizzy, pain or some other abnormal symptom, please stop your exercise, and go to see doctors.
9. Children should use the equipment under adult' s guardianship.
10. Warning! Keep hands and feet away from moving parts.
11. Warning! Do not do over adjustments.
12. Warning! Children or pets away from the equipment during your workout.
13. Warning! Any adjustable parts should be properly adjusted.
14. Warning! Please use this equipment correctly to avoid any injury.
15. We suggest you should use this equipment in supervision area.

## 02/ Installation chart & list

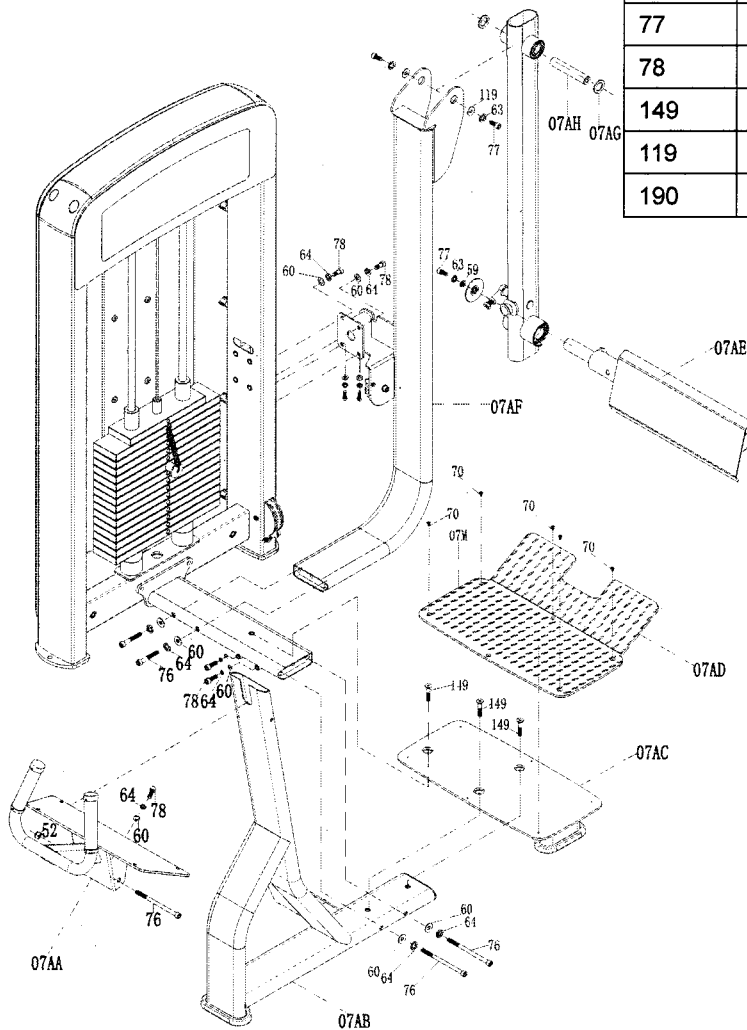
### 1) Step 1

#### After Installation

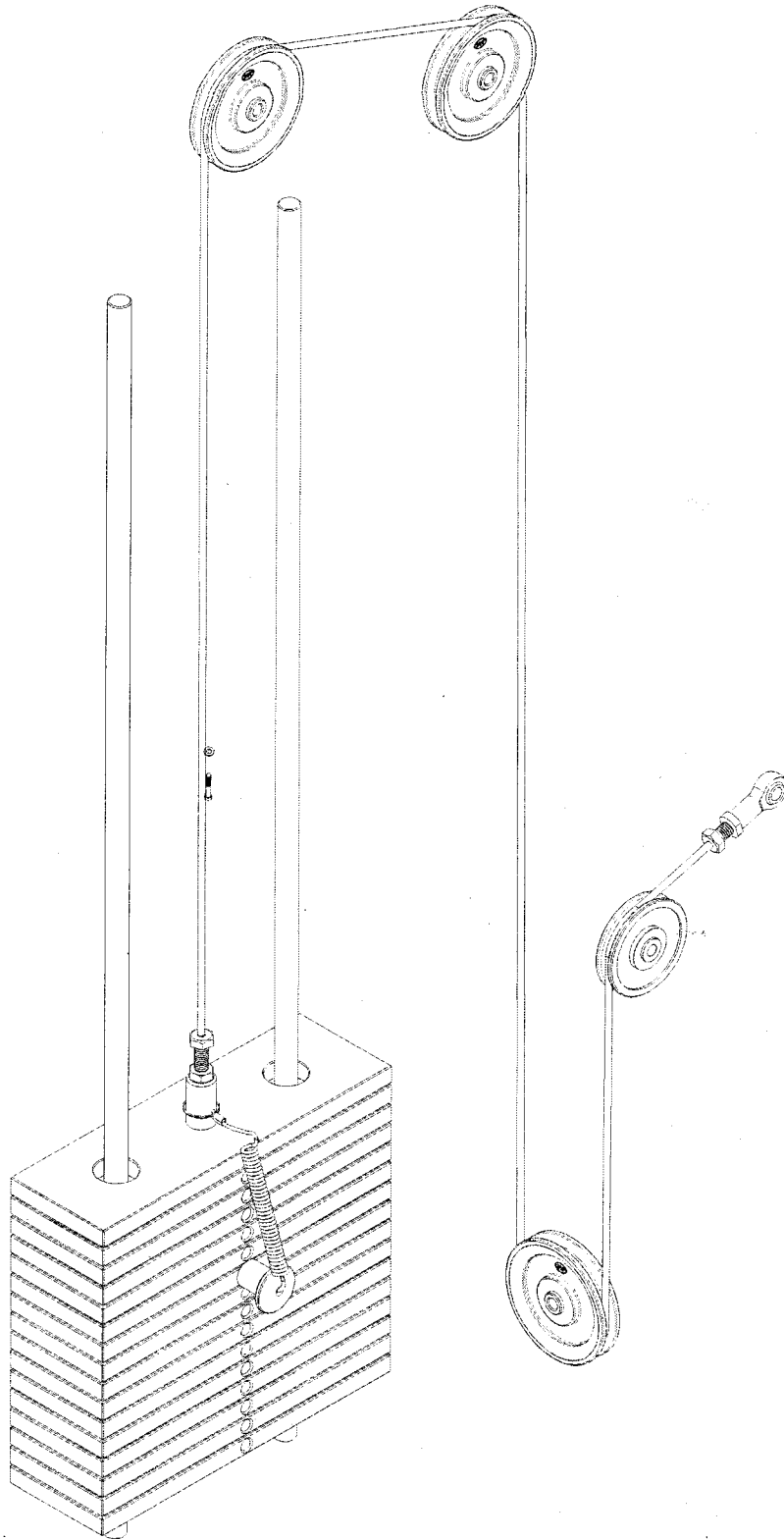


#### List for this step

Model	Name	Spec	Qty
07AA	Handrail tube set		1
07AB	Main frame set		1
07AC	Pedal set		1
07AD	Diamond plate		1
07AE	Pedal set		1
07AF	Stand pipe set		1
07AG	Spacing piece		2
07AH	Axis of rotation	Φ25*135	1
59	Spring gasket	φ 12	4
60	Flat gasket	φ 10	11
63	Flat gasket	φ 12	2
64	Spring gasket	φ 10	11
70	Hex sink screw	M6*10 total teeth	6
76	Hex cylinder head bolt	M10*160 half teeth	5
77	Hex cylinder head bolt	M12*25 total teeth	4
78	Hex cylinder head bolt	M10*25 total teeth	6
149	Hex sink screw	M10*30 total teeth	3
119	Large flat gasket	φ 10	2
190	External six angle head bolt	M10*25 total teeth	1



2) Step 2  
Pulley installation diagram:



### 03/ Product description

This equipment is for indoor use, in order to improve your cardio and muscles. It trains your chest muscles and others.

You can choose the stack weight in order to get the weights or resistance you need.

You can read the placards in order to use the equipment properly.

The equipment is designed and produced according to human engineering, which can assure the safety and durability.

The equipment is designed and produced according to human engineering, strictly under GB17498.1-2008 GB17498.2-2008 standard.

The equipment is made of steel and of powder coating process, which assure the safety and durability.

### 04/Product specification

Name	Glute	Model	MDE-07A
Assembly area	1626*1054*1320	Weight stack	150 poundsS
NW	kg	Grade	S
Category: type S ; professional/commercial use type H; home use			

### 05/Maintenance

1. Please check all the screws regularly.
2. Keep the equipment clean. Do not use strong solvent.
3. If weighted spare parts abrasion or broken, please change it at once.

### 06/Troubleshooting guides

### 07/Warranty

#### 1. Warranty scope

It adopts to the situation that users use the equipment properly. Non-negotiable.

#### 2. Warranty 1 year starts from the equipment leaving our factory

The followings are inapplicable for the warranty

- (1) Misuse the equipment, accidents or modify without notification
- (2) Breakdown of those who improperly adjust the weight stack pin.
- (3) Breakdown of those who improperly maintain.
- (4) Breakdown of other improper operations.