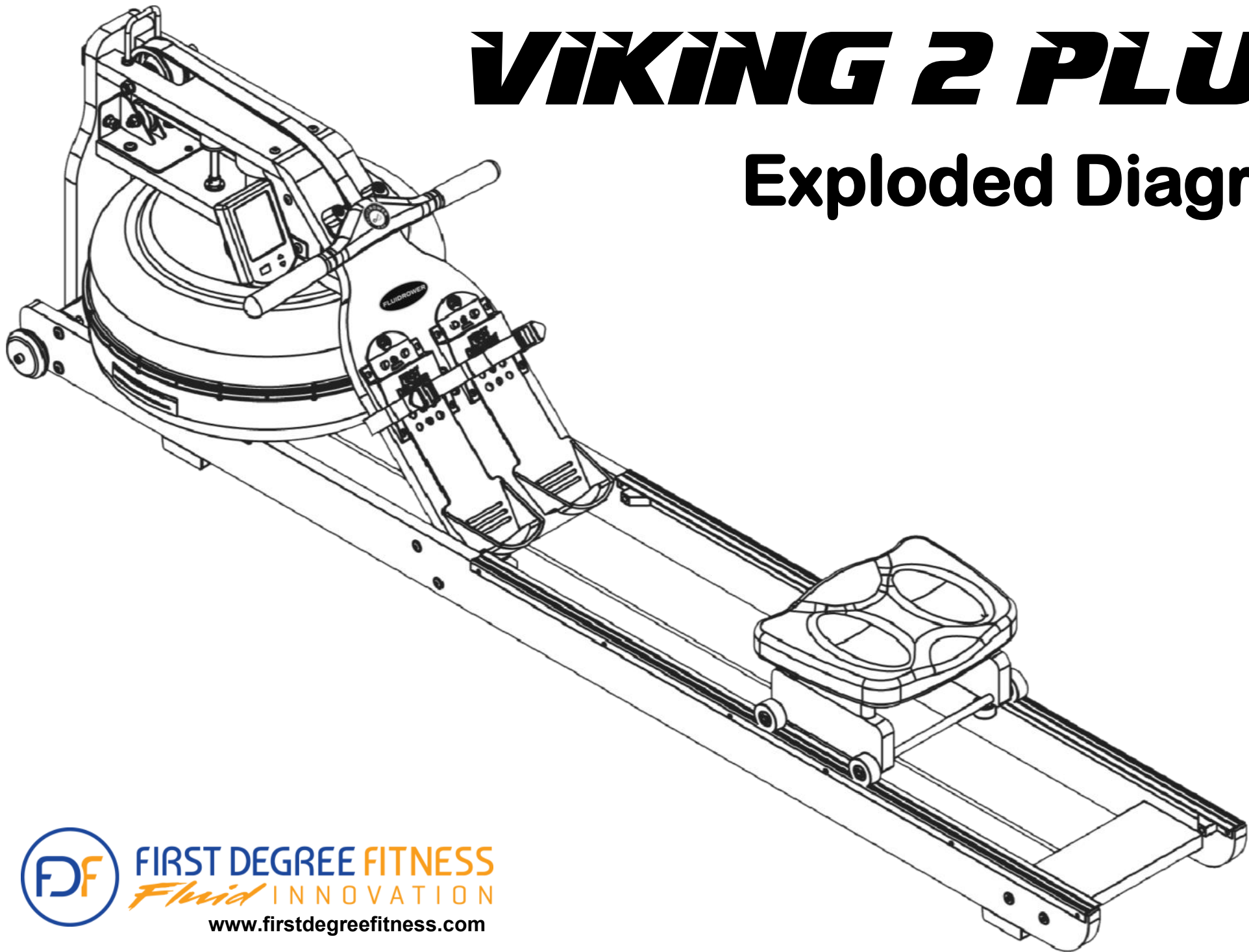
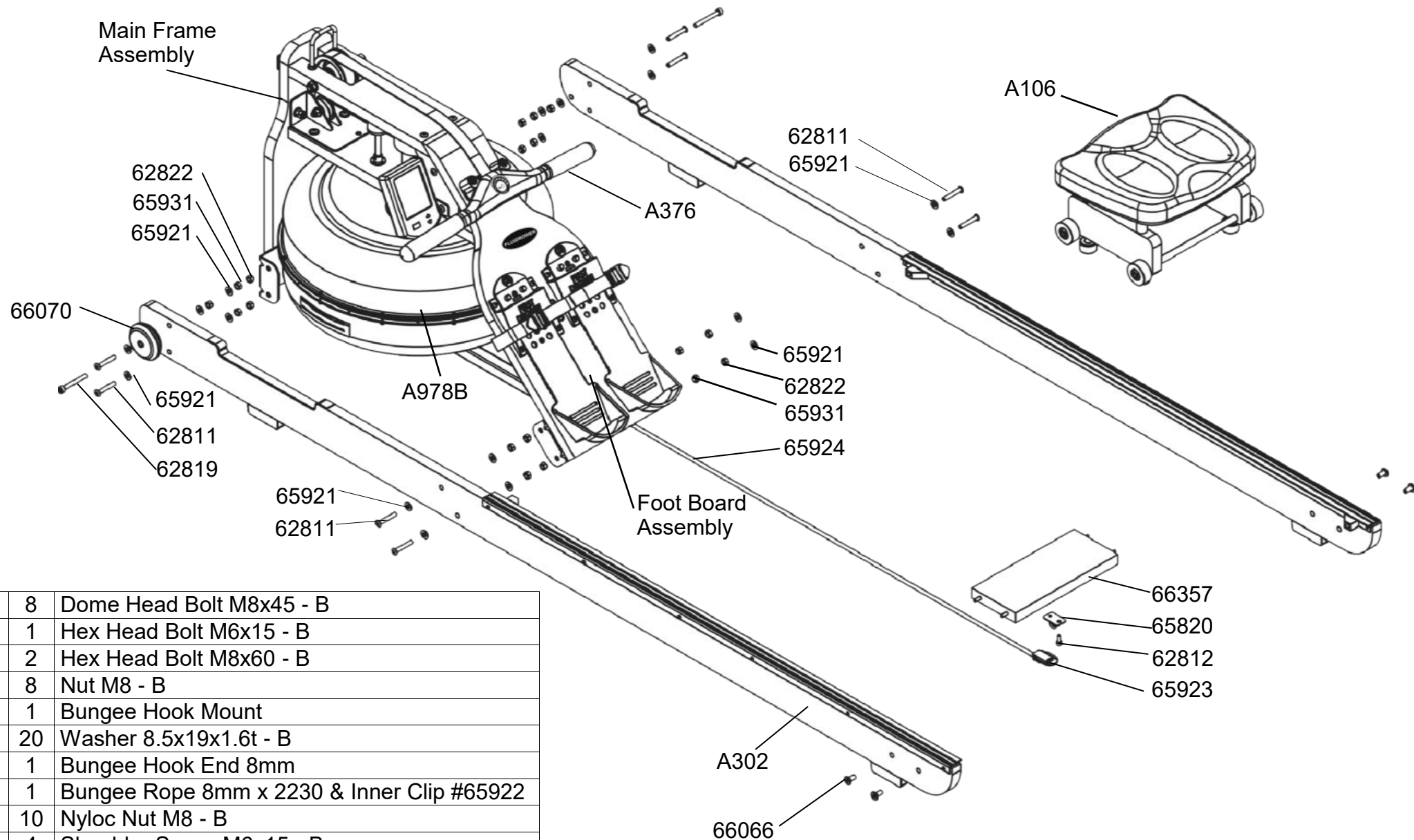


VIKING 2 PLUS

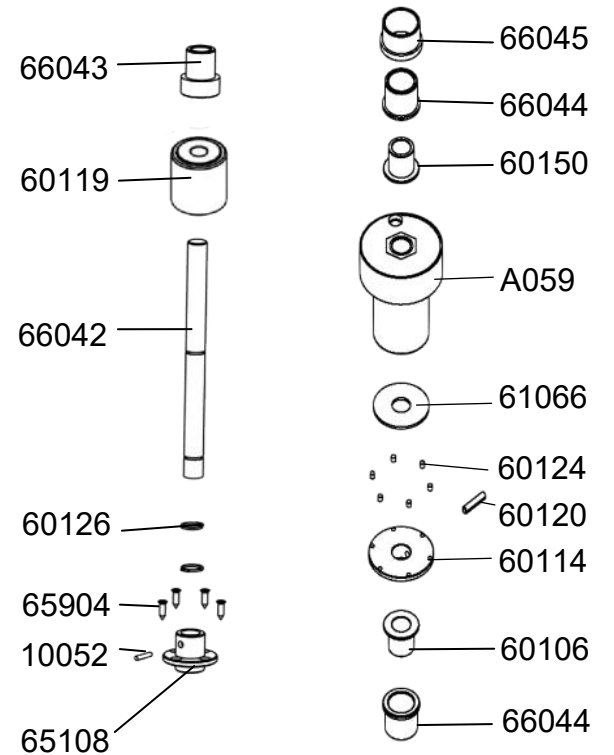
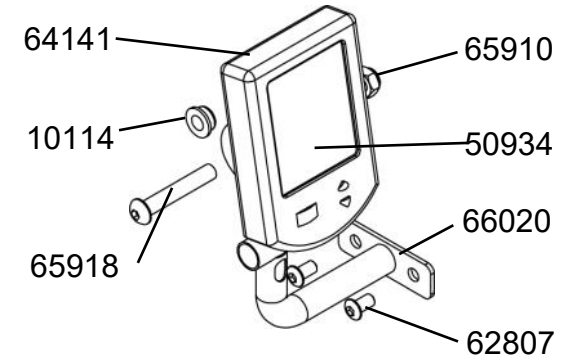
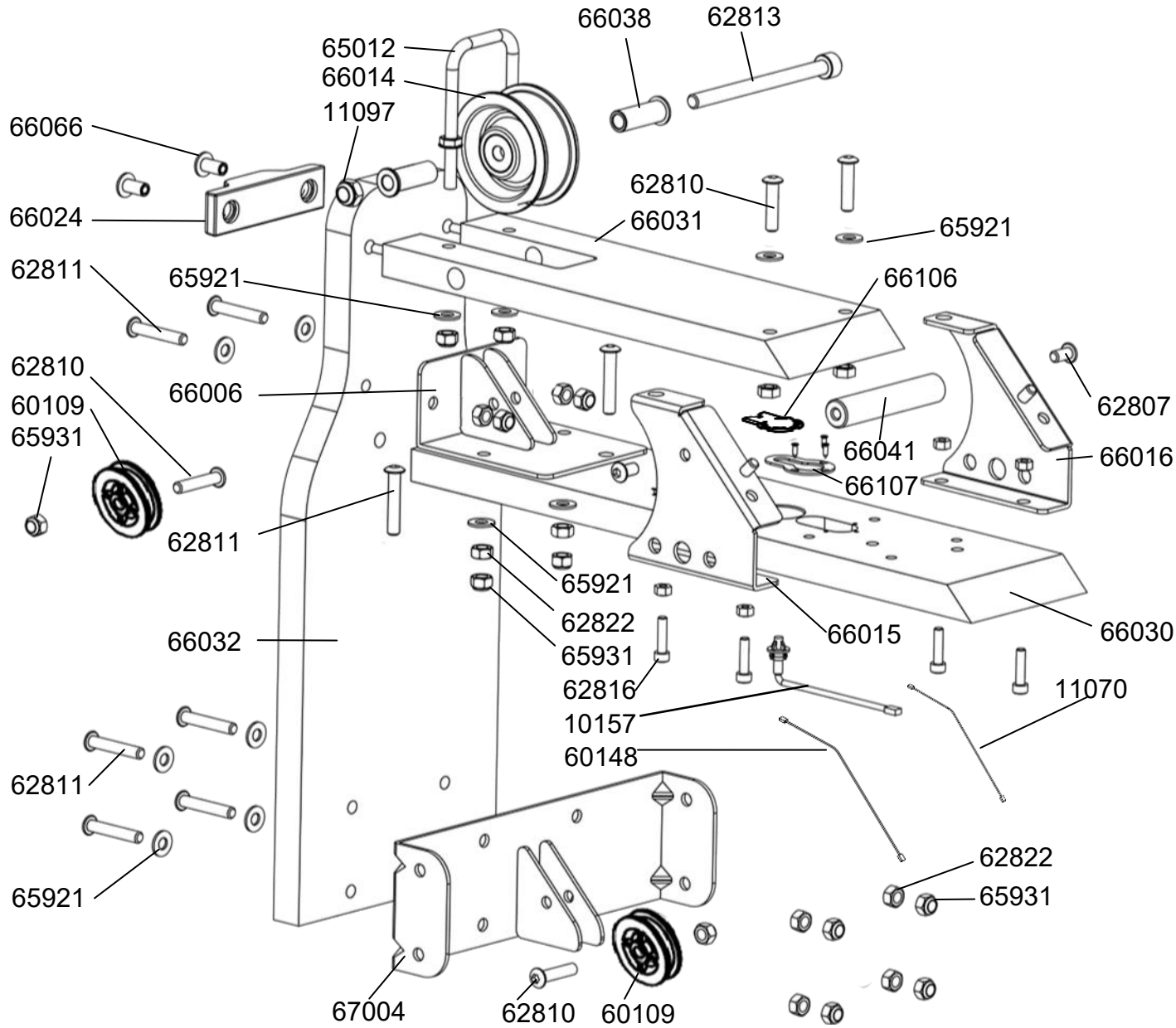
Exploded Diagram





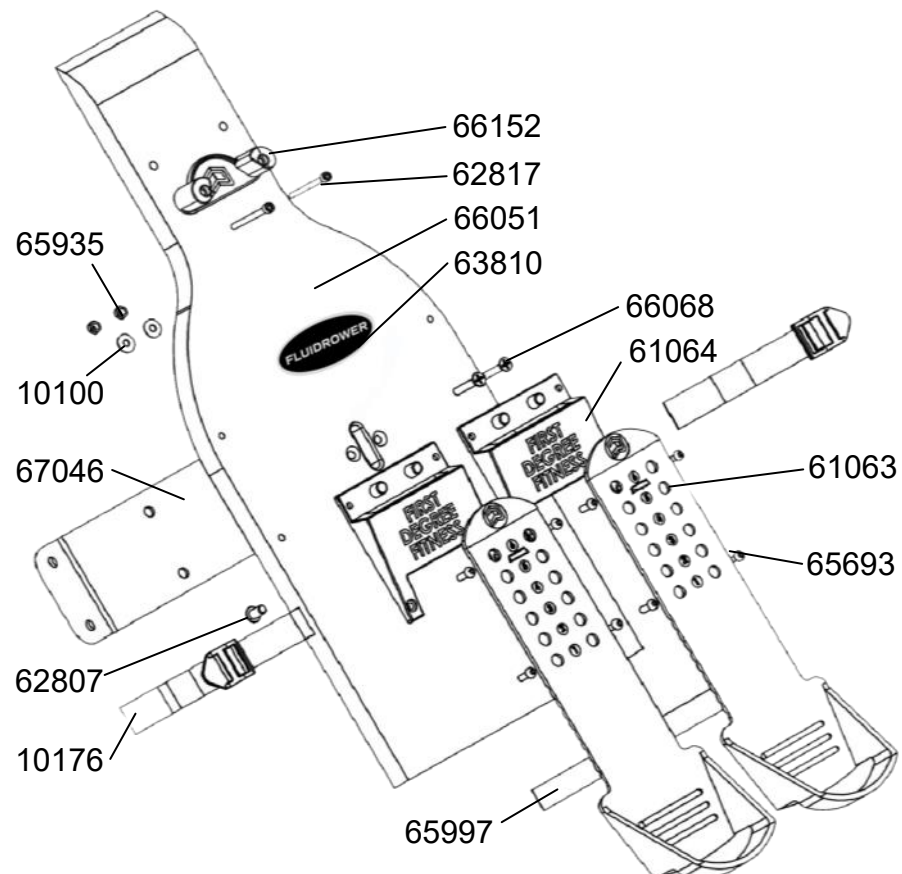
62811	8	Dome Head Bolt M8x45 - B
62812	1	Hex Head Bolt M6x15 - B
62819	2	Hex Head Bolt M8x60 - B
62822	8	Nut M8 - B
65820	1	Bungee Hook Mount
65921	20	Washer 8.5x19x1.6t - B
65923	1	Bungee Hook End 8mm
65924	1	Bungee Rope 8mm x 2230 & Inner Clip #65922
65931	10	Nyloc Nut M8 - B
66066	4	Shoulder Screw M6x15 - B
66070	2	Transport Wheel
66357	1	Rear Board 268x115x23
A106	1	Seat Assembly Complete
A302	1	Side Rail Assembly L/R
A376	1	Plastic Handle Complete
A978B	1	4 Level Tank Complete Assembly

Main Frame Assembly



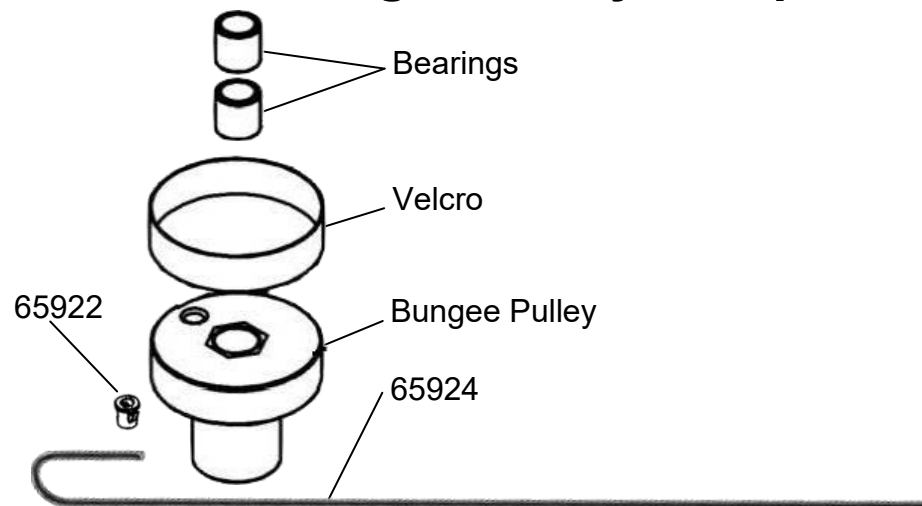
P/N	Qty	Description	P/N	Qty	Description
10052	1	Grub Screw M4x6 - B	65910	1	Nyloc Nut M10 - B
10114	2	Computer Mount Plastic Bushing	65918	1	Dome Head Bolt M10x60 - B
10157	1	Sensor 300mm	65921	12	Washer M8.5x19x1.6t - B
11070	1	Sensor Connecting Cable 300mm	65931	12	Nyloc Nut M8 - B
11097	1	Nut Dome Head M10 - B	66006	1	Bungee Pulley Bracket Upper
50934	1	LCD for L4/L16	66014	1	Belt Pulley with 6000zz Bearings Complete
60106	1	Main Shaft Oil Bushing - Lower 38x20x22	66015	1	Support Bracket - Main Frame Left
60109	2	Bungee Pulley 50mm	66016	1	Support Bracket - Main Frame Right
60114	1	Magnet Ring & 6 x Magnet #60124	66020	1	Computer Stalk
60119	1	Idle Wheel & 2x Bearing #60112	66024	1	Bump Stop Main Frame - 80x20x37.5
60120	1	Roll Pin M6.3x30	66030	1	Mid Board
60126	2	C Clip 10mm	66031	1	Upper Board
60148	1	Heart Rate Lead- 400mm	66032	1	Front Board
60150	1	Main Shaft Nylon Bushing - Upper	66038	2	Spacer for Belt Pulley
61066	1	Plastic Washer M5920.1x2T	66041	1	Spacer for Main Frame Support Bracket
62807	4	Dome Head Bolt M8x15 - B	66042	1	Idle Wheel Shaft 10x127mm
62810	4	Dome Head Bolt M8x35 - B	66043	1	Idle Wheel Shaft Bracket (Upper)
62811	8	Dome Head Bolt M8x45 - B	66044	2	Bushing 40x35x3x22
62813	1	Hex Head Bolt M10x130 - B	66045	1	Bushing - Metal backing 35x45x5.5x16.5
62816	4	Hex Head Bolt M6x25 - B	66066	2	Shoulder Screw M6x15 - B
62822	8	Nut M8 - B	66106	1	Sensor Bracket Cap
64141	1	Computer with USB - L4	66107	1	Sensor Bracket
65012	1	U Bolt 8mm with 2xFlange Nuts #65940	67004	1	Bungee Pulley Bracket Lower
65108	1	Idle Wheel Shaft Bracket (Lower)	A059	1	Belt Bungee Pulley Complete
65904	7	Screw for Wood M3x10 - B			

Foot Board Assembly



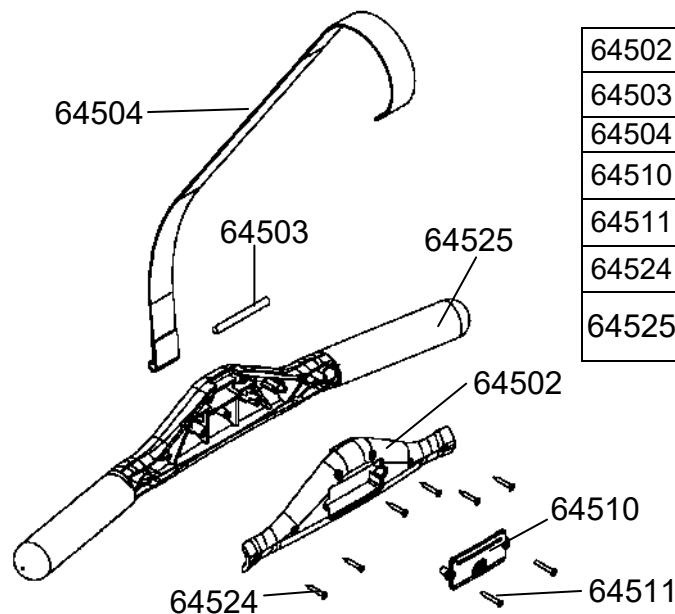
10100	2	Washer M6x16x1 -B
10176	2	Foot Strap & Buckle
61063	2	Footplate Slider with Velcro #65997
61064	2	Footplate Slider Base 120x111x22.8
62807	2	Dome Head Bolt M8x15 - B
62817	2	Hex Head Bolt M6x65 - B
65693	8	Dome Head Bolt M5x15 - B
65935	2	Nyloc Nut M6 -B
65997	2	Velcro For Sliding Footplate
66051	1	Foot Board with Decal #63810
66068	2	Counter Sunk Bolt M6x35 -B
66152	1	Bar Catch
67046	1	Support Bracket - Lower Main Frame

A059 Belt Bungee Pulley Complete



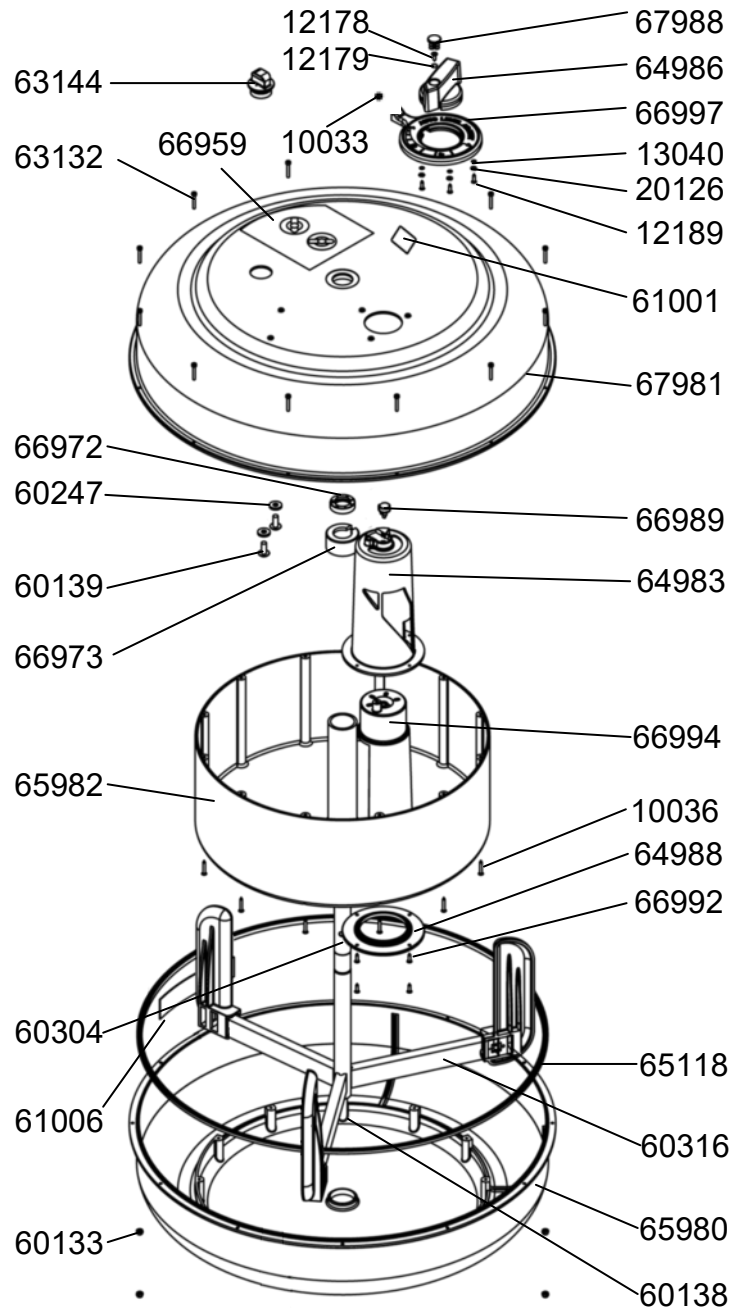
60900	1	Belt Bungee Pulley Complete & Velcro & One Way Bearings#90136
65924	1	Bungee Rope 8mm x 2230 & Crimped End #65922

A376 Plastic Handle Complete



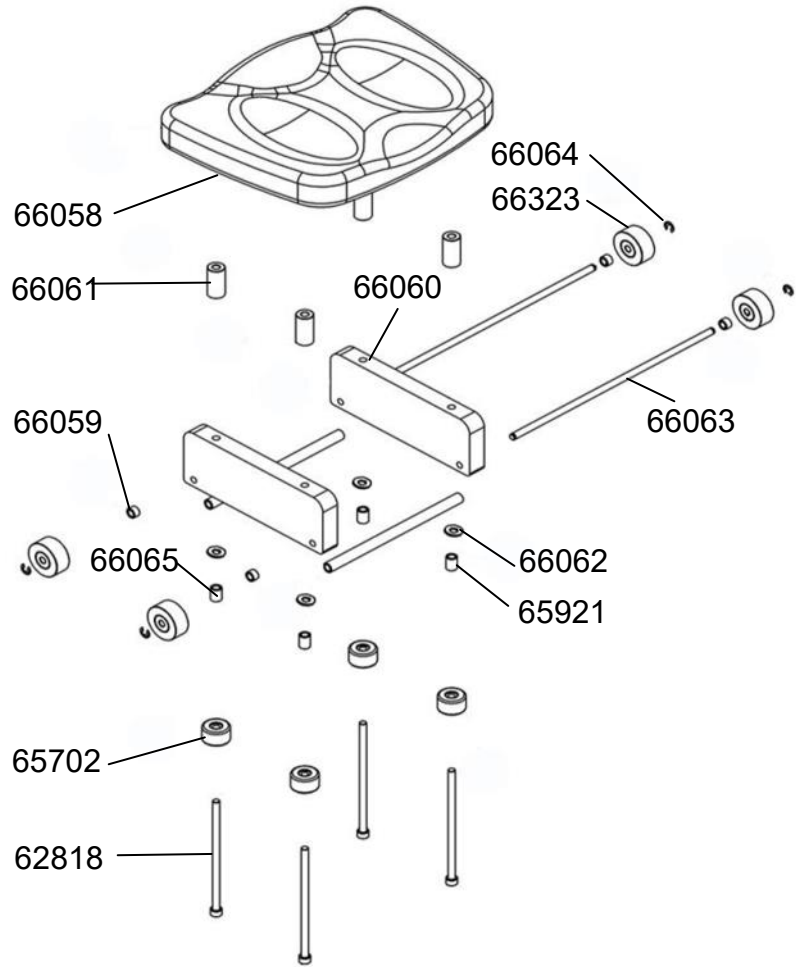
64502	1	Handle Plastic Cap
64503	1	Belt Bush
64504	1	Belt
64510	1	Battery Cap
64511	2	Round Sunk Screw SUS M3x12-B
64524	6	Counter Sunk Screw SUS M3x25-B
64525	1	Handle with Decal #64523 &

A978B - 4 Level Tank Complete Assembly



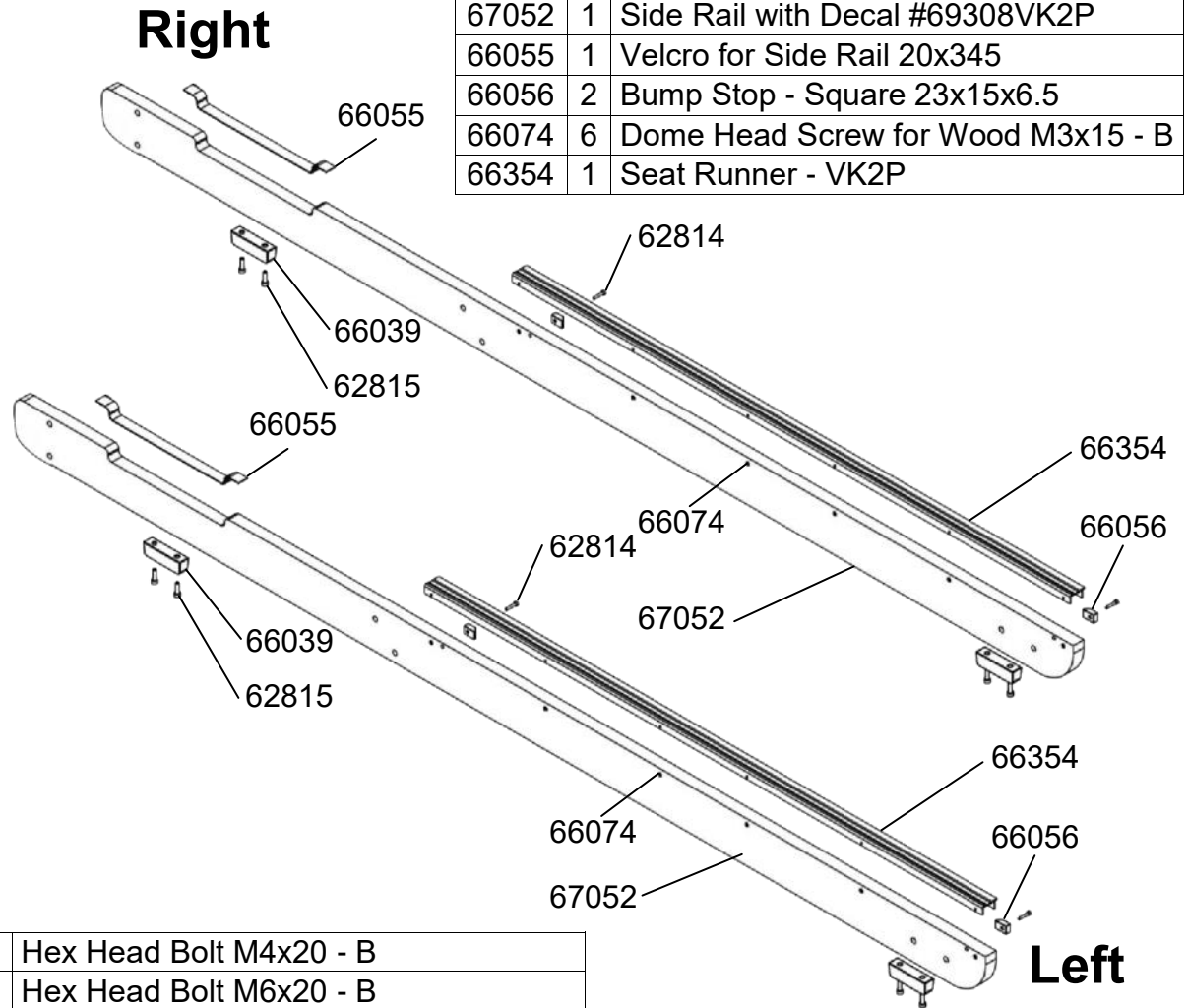
FDN PN	Qty	Description
10033	1	Washer M4.2x10x1t SUS
10036	12	Flat Tapping Screw M3x20 - SUS
12178	1	Dome Head Bolt M3x10 SUS
12179	1	Washer M3x8x1t SUS
12189	3	Tank Internal Screw M4x10 SUS
13040	3	O Ring
20126	3	Plastic Washer M4x12
60133	12	Nyloc Nut M3 - SUS
60138	1	Impeller End Cap
60139	2	Tank Internal Screw M6x15 - SUS
60247	2	O Ring 15.6X6.7X3.5mm
60304	1	Flywheel Upper Shaft
60316	1	-Flywheel Lower Shaft with Impeller #64971- L4/L5-B
61001	1	Tank Bonding Strip 3M-VHB 40x40x1mm
63132	12	Allen Key Bolt M3x20 - SUS
63144	1	Tank Plug for HS Tank
64983	1	L4/L5 Tank Adjuster Outer Valve & Rubber Spacer#66974 & M6 Ball Plunger#66976
64986	1	Adjuster Knob for Plus / V / XL - Black
64988	1	L4/L5 Valve Base - Black
65118	1	Tank Large Ring Seal -Black 499x5.8
65980	1	Lower Tank Shell with Decal #61006
65982	1	Inner Reserve Tank Shell
66973	1	Rubber Seal
66989	1	Shaft for Valve - L4 / L5
66992	4	Flat Tapping Screw M3x16 - SUS
66994	1	L4 Tank Adjuster Inner Valve - Black
66997	1	Knob Base with Decal #66996
67981	1	Upper Tank Shell with Decal #66959 & Double Lip Seal # 66972
67988	1	Knob Cap

A106 Seat Assembly Complete



62818	4	Hex Head Bolt M8x160 - B
65702	4	Seat Wheel
65921	4	Washer 8.5x19x1.6t - B
66058	1	Seat LS-E28
66059	4	Spacer 12.7x8x8.5
66060	2	Seat Frame 220x78.5x23
66061	4	Spacer 20x8x38
66062	2	Spacer 12x8x209
66063	2	Axle Shaft 8mm
66064	4	D7 Eclip
66065	4	Spacer 12.7x8x19.5
66323	4	Seat Wheel 98A

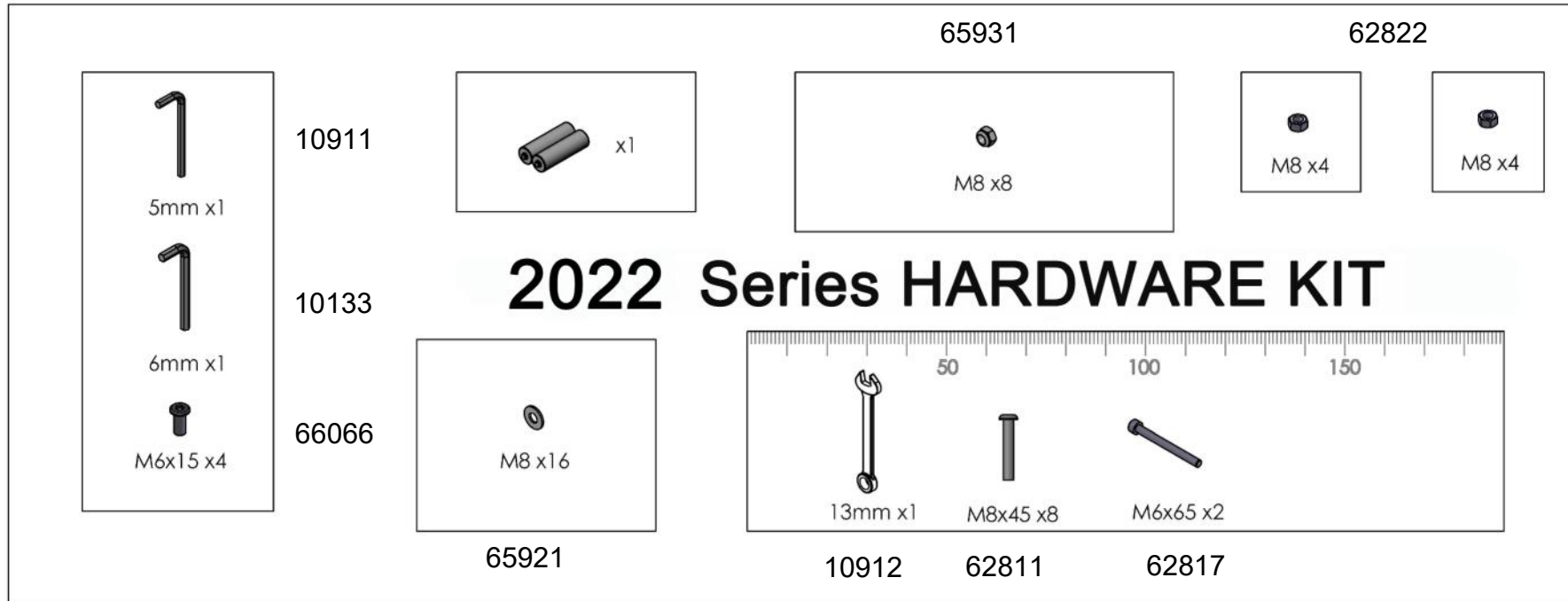
A302 Side Rail Assembly L/R



62814	2	Hex Head Bolt M4x20 - B
62815	4	Hex Head Bolt M6x20 - B
66039	2	Side Rail Bumper
67052	1	Side Rail with Decal #69308VK2P
66055	1	Velcro for Side Rail 20x345
66056	2	Bump Stop - Square 23x15x6.5
66074	6	Dome Head Screw for Wood M3x15 - B
66354	1	Seat Runner - VK2P

62814	2	Hex Head Bolt M4x20 - B
62815	4	Hex Head Bolt M6x20 - B
66039	2	Side Rail Bumper
67052	1	Side Rail with Decal #69308-VK2P
66055	1	Velcro for Side Rail 20x345
66056	2	Bump Stop - Square 23x15x6.5
66074	6	Dome Head Screw for Wood M3x15 - B
66354	1	Seat Runner - VK2P

HV2 - Hardware Kit



10133	1	Allen Key 6mm
10201	1	AA Battery
10911	1	Allen Key 5mm
10912	1	Wrench 13mm
62811	8	Dome Head Bolt M8x45 - B
62817	2	Hex Head Bolt M6x65 - B
62822	8	Nut M8 - B
65921	16	Washer M8.5x19x1.6t - B
65931	8	Nyloc Nut M8 - B
66066	4	Shoulder Screw M6x15 - B