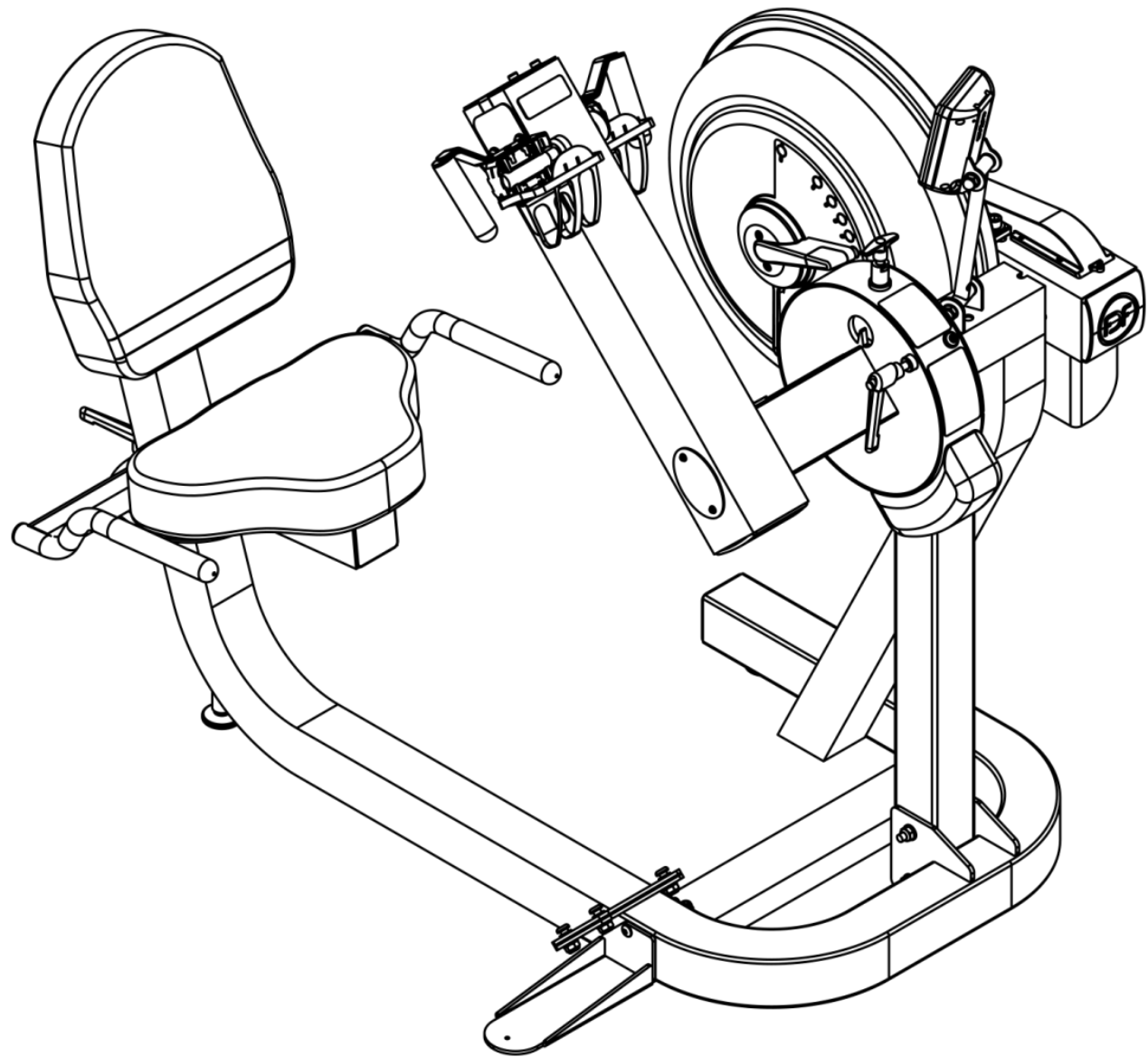
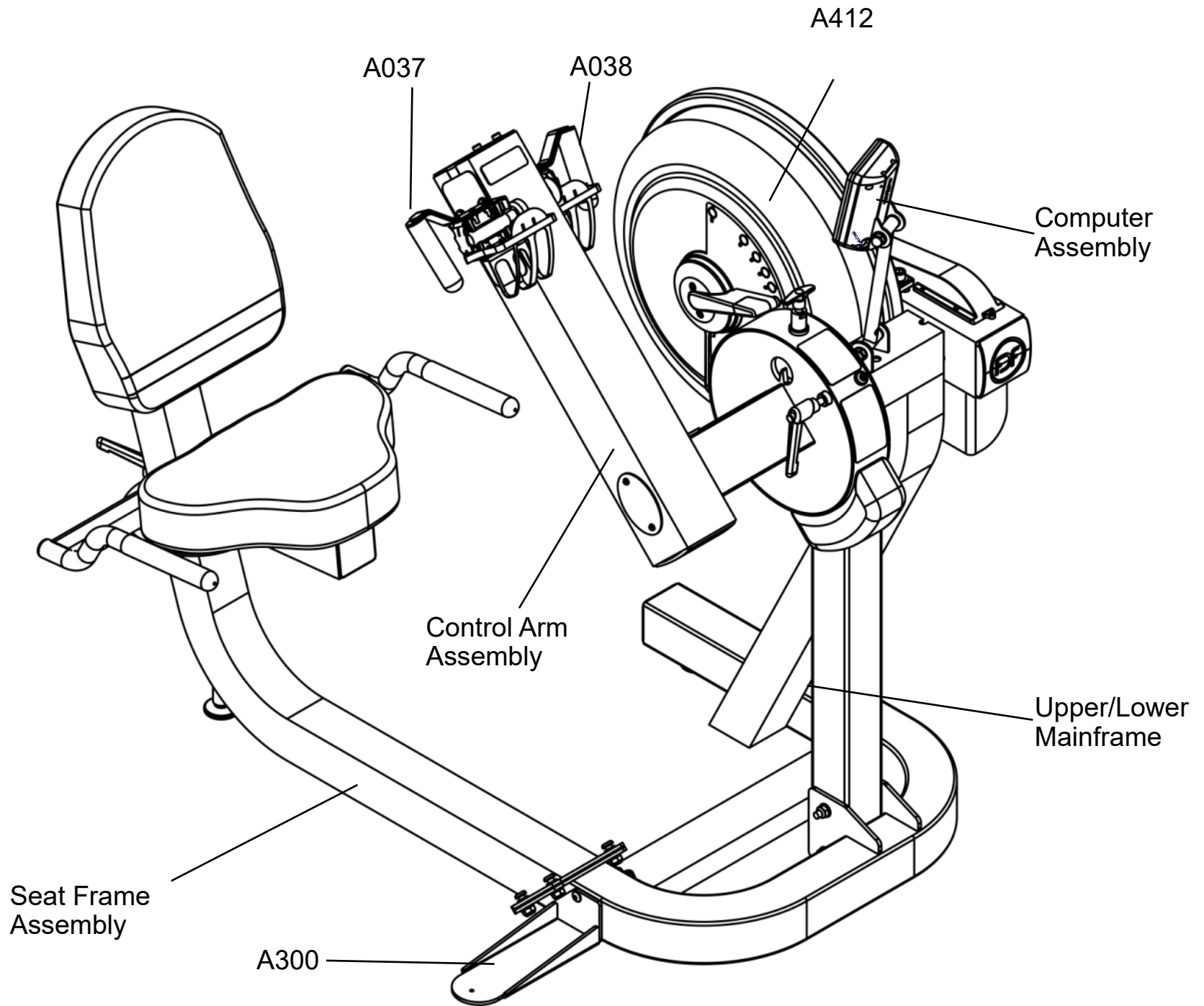


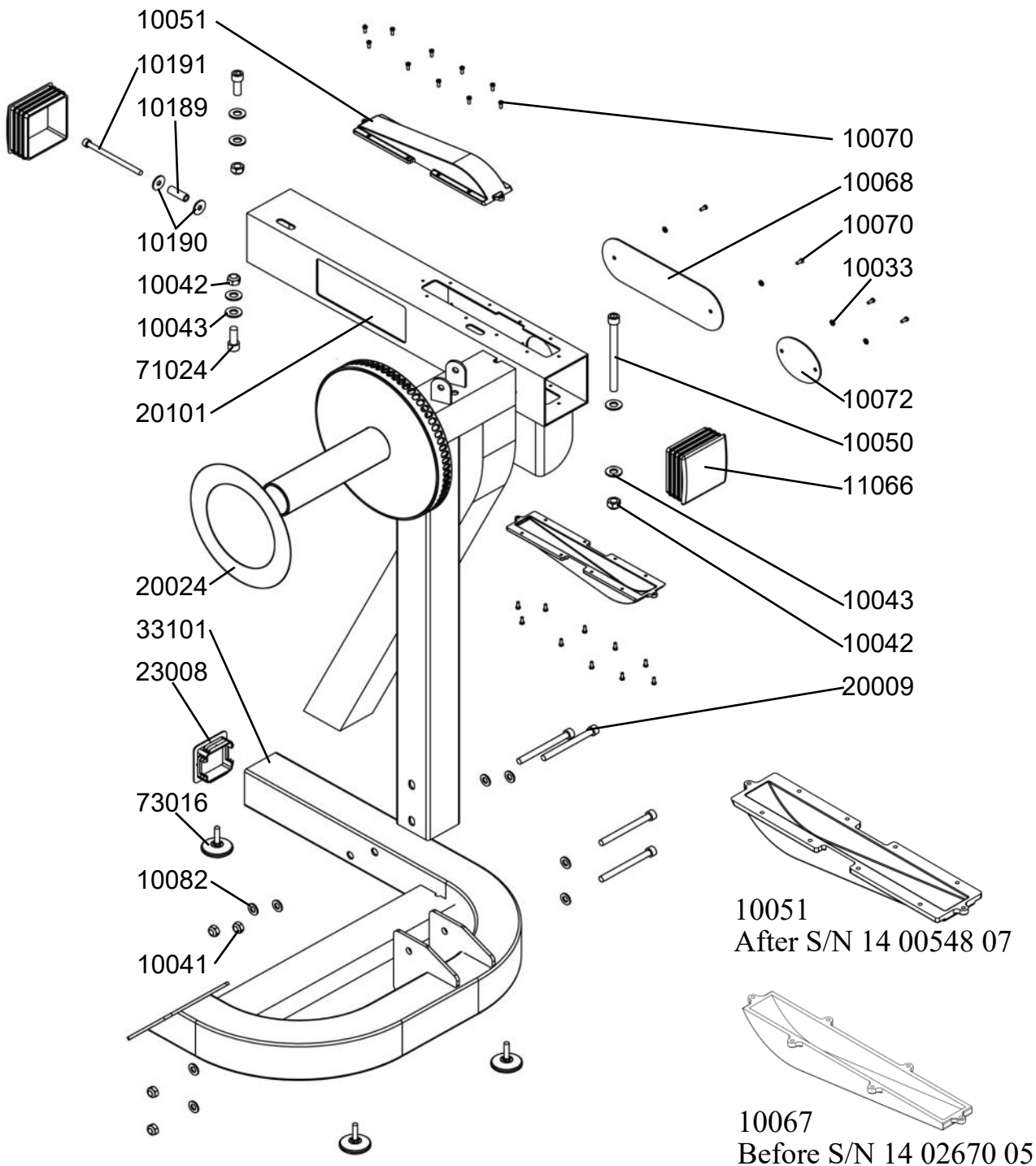
E750



Exploded Diagram



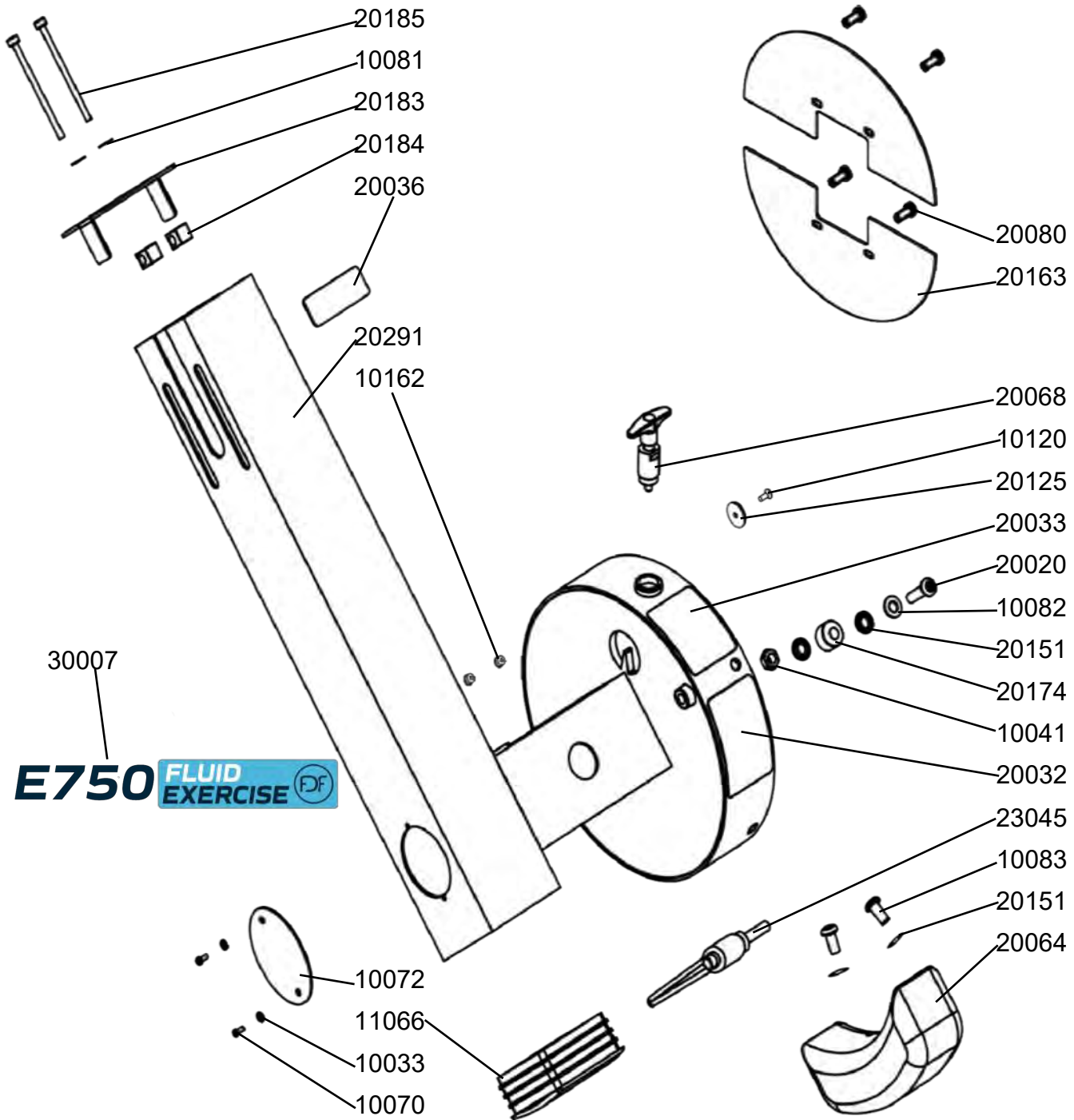




Upper/Lower Mainframe:

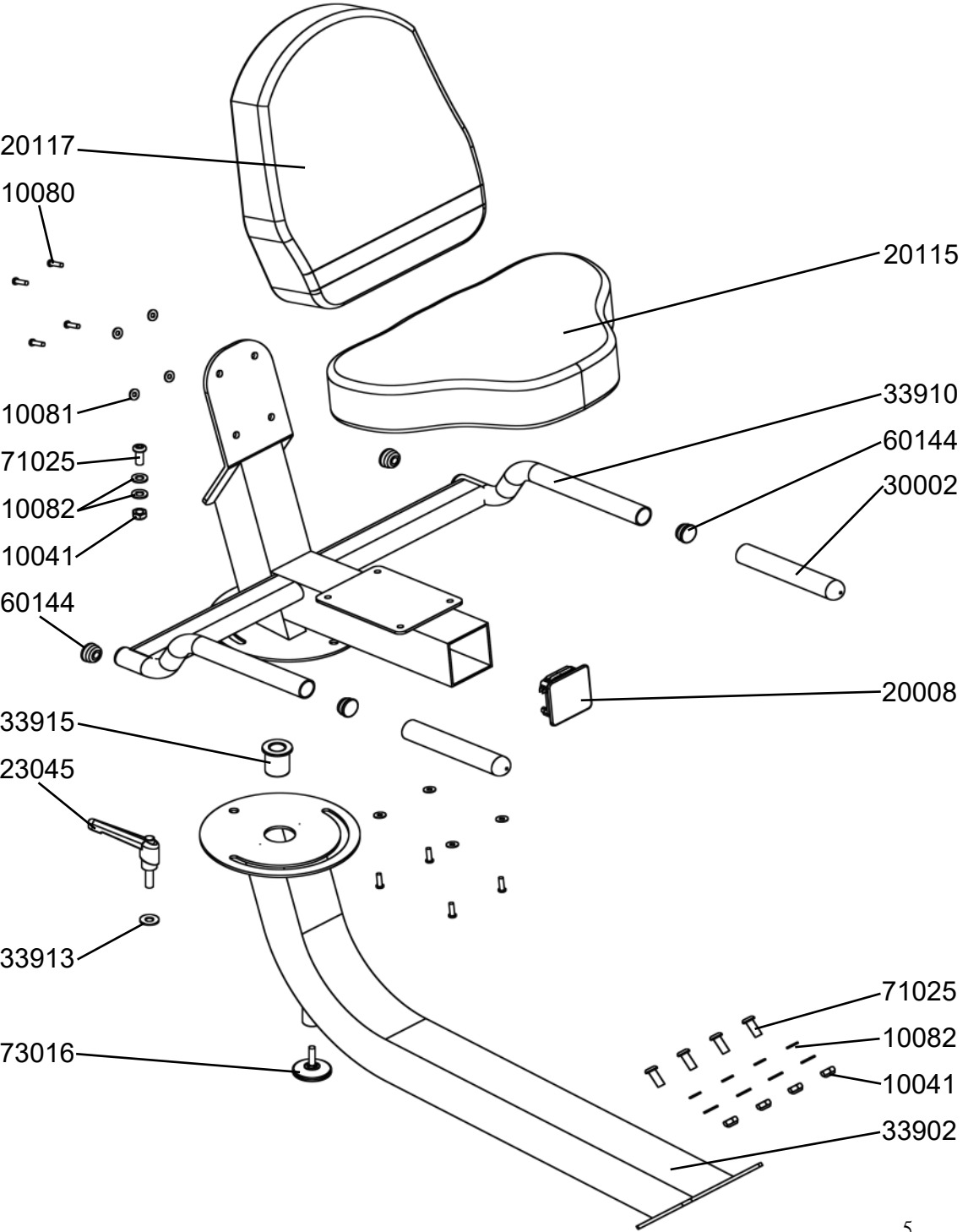
10033	4	Washer 10x4.2x1 SUS
10041	4	Nyloc Nut M10
10042	3	Nyloc Nut M12
10043	6	Washer M13x24x2t
10050	1	Hex Head Bolt M12x150
10051	2	Rubber Cover for Large PK Pulley
10068	1	Large Steel Side Cover 276mm
10070	24	Round Head Phillips Screw M4x10
10072	1	Small Steel Side Cover 100mm
10082	8	Washer M10x21x2
10189	1	Tank Tension Adjustment Bushing
10190	2	Washer M8x26x2
10191	1	Hex Head Bolt M8x120
11066	2	End Cap 100x100mm
20009	4	Hex Head Bolt M10x100
20024	1	Number Decal
20101	1	Upper Main Frame - E720A
23008	1	End Cap 75x75 Rubber
33101	1	Lower Main Frame - E720
71024	2	Hex Head Bolt M12x35
73016	3	Foot Leveler M8x30 PVC

Control Arm Assembly



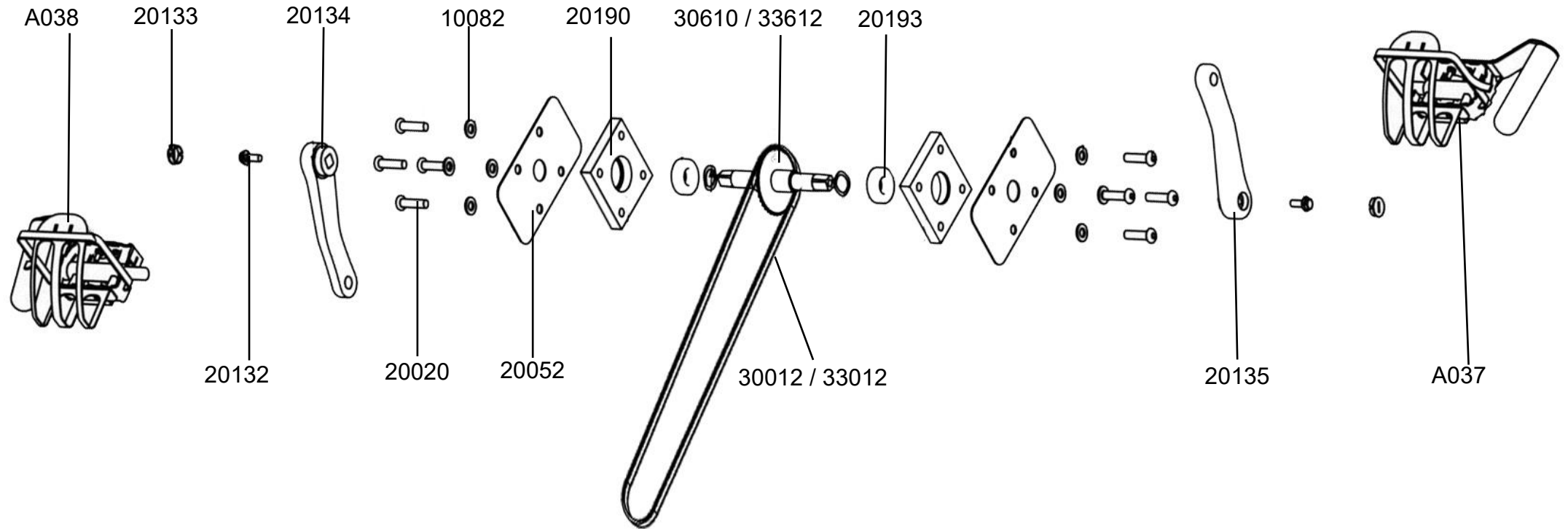
10033	2	Washer 10x4.2x1 SUS
10041	1	Nyloc Nut M10
10070	2	Round Head Phillips Screw M4x10
10072	1	Small Steel Side Cover 100mm
10081	2	Washer M6x16x1
10082	1	Washer M10x21x2
10083	2	Dome Head Bolt M10x20
10120	1	Counter Sunk Bolt M6x20
10162	2	Grub Screw M8x10
11066	1	End Cap 100x100mm
20020	1	Dome Head Bolt M10x35
20032	1	Warning Decal - E720
20033	1	Decal - Warning for Control Arm -E720
20036	1	Small Warning Decal
20064	1	Weight Block
20068	1	T-Pin
20080	4	Hex Bolt M6x10
20125	1	Plastic Washer 30x6x6
20151	4	Toothed Locked Washer M10
20163	2	Semi Circle Cover
20174	1	Eccentric Bushing
20183	1	Adjuster Cover 100x100x3
20184	2	Square Adjuster Nut
20185	2	Dome Head Bolt M6x100
20291	1	Rotating Arm
23045	1	L Pin M10x35
30007	1	Decal - E750 Fluid Exercise

Seat Frame Assembly:



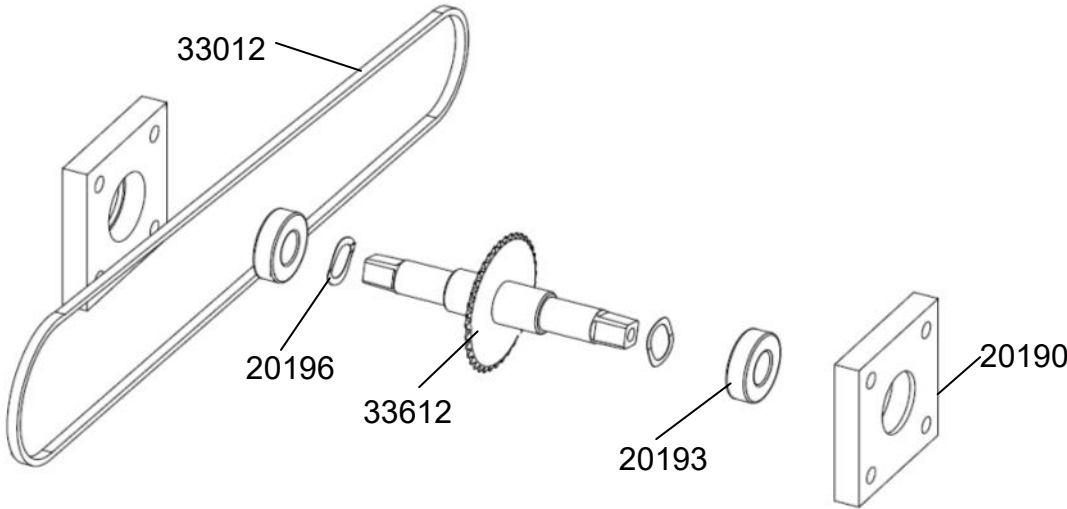
10041	5	Nyloc Nut M10
10080	8	Dome Head Bolt M6x20
10081	8	Washer M6x16x1
10082	10	Washer M10x21x2
20008	1	End Cap 75x75 PVC
20115	1	Seat LS-622
20117	1	Seat Back LS-622
23045	1	L Pin M10x35
30002	2	Handle Grip for Seat
33902	1	Seat Frame
33910	1	Rotating Seat Frame Upper
33913	1	Plastic Spacer 10x25x4T
33915	1	Oil Bushing
60144	4	Rower Handle End Inserts 28.6mm
71025	5	Dome Head Bolt M10x25
73016	1	Foot Leveler M8x30 PVC

E720 Crank Arm Assembly



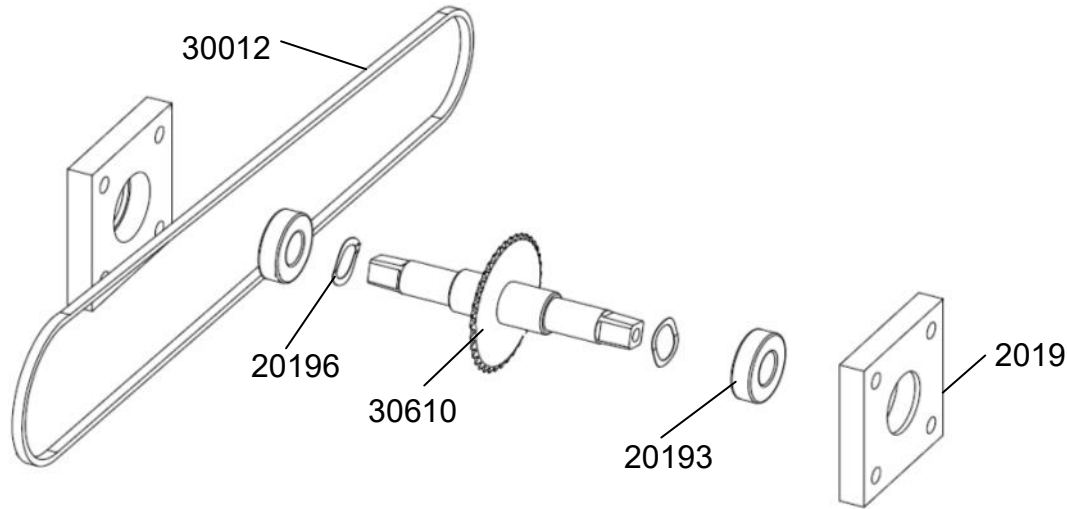
A037	1	Pedal Assembly - Right E720/CXT	20135	1	Crank-Right - E720 & 820
A038	1	Pedal Assembly - Left E720/CXT	20190	2	Aluminum Block Bearing Housing
10082	8	Washer M10x21x2	20193	2	NSK 6004ZZ Aluminum Block Housing Bearing
20020	8	Dome Head Bolt M10x35	20196	2	Wave Washer M20
20052	2	Side Bearing Cover E620/720/820	30012	1	Chain 178 For CHC-25 Before S/N 15 02852 06
20132	2	French Screw M8x20xP1.0	30610	1	Axle & Cog E720/UBE For CHC-25
20133	2	End Cap for Crank	33012	1	Chain 118 For CHC-35 After S/N 15 02853 06
20134	1	Crank-Left -720 & 820	33612	1	Axle & Cog E720/UBE For CHC-35

A174 Rotating Arm Internal Components E720/CXT For CHC35 Applied after S/N 15 02853 06 and Onwards



20190	2	Aluminum Block Bearing Housing
20193	2	NSK 6004ZZ Aluminum Block Housing Bearing
20196	2	Wave Washer M20
33012	1	Chain 118 For CHC-35
33612	1	Axle & Cog E720/UBE for CHC-35

A024 Rotating Arm Internal Components E720/CXT For CHC25 Applied Before S/N 15 02852 06

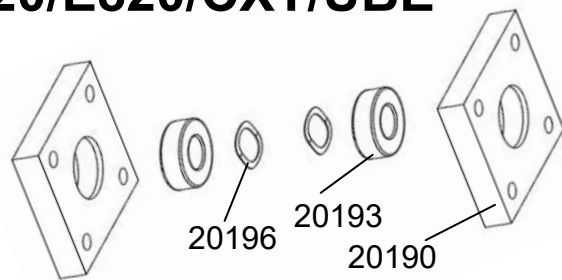


20190	2	Aluminum Block Bearing Housing
20193	2	NSK 6004ZZ Aluminum Block Housing Bearing
20196	2	Wave Washer M20
30012	1	Chain 178 For CHC-25
30610	1	Axle & Cog E720/UBE for CHC-25

A025 Rotating Arm Internal Components E720/E820/CXT/UBE

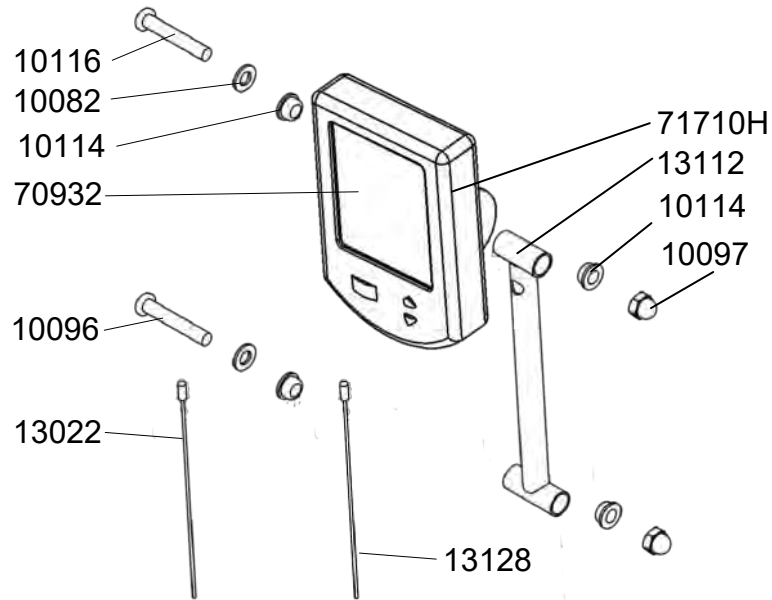
Use the A025 kit in the event of a bearing failure in the crank housing assembly where no other parts are affected.

20190	2	Aluminum Block Bearing Housing
20193	2	NSK 6004ZZ Aluminum Block Housing Bearing
20196	2	Wave Washer M20



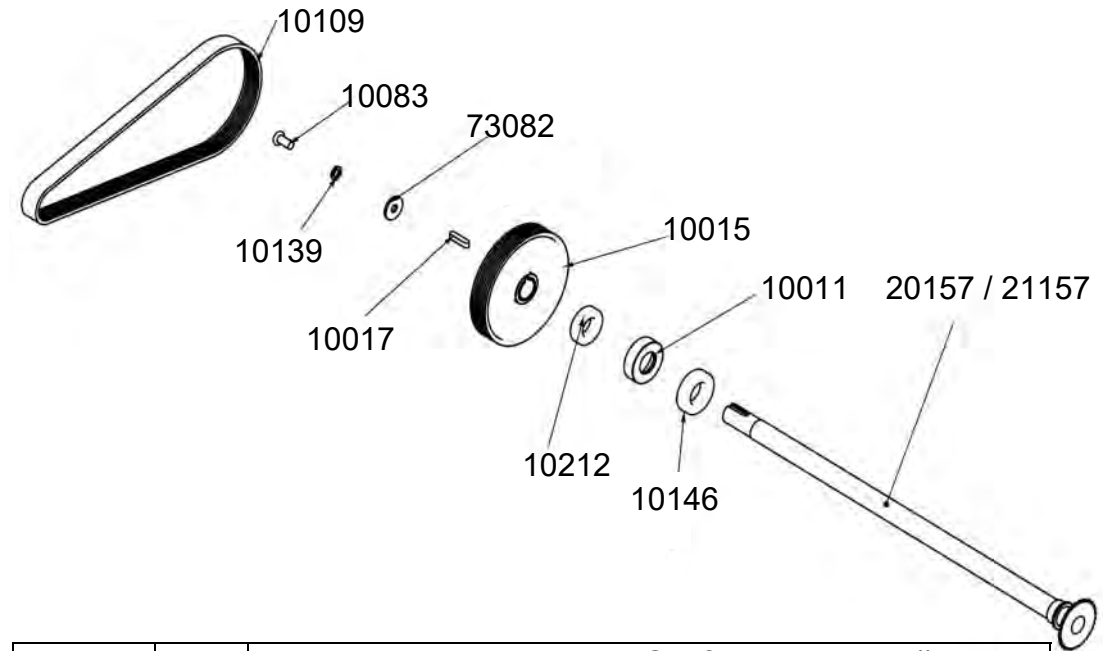
This kit applies to the following products:
 UBE
 Cycle XT
 E-720
 E-820

Computer Assembly



10082	2	Washer M10x21x2
10096	1	Dome Head Bolt M10x70
10097	2	Nut Dome Head M10
10114	4	Plastic Bushing 20x16x13x10
10116	1	Dome Head Bolt M10x60
13022	1	Computer Wiring 800mm
13112	1	Computer Mounting Arm
13228	1	Level Wiring 1200mm
70932	1	LCD for Auto Level
71710H	1	Bluetooth Auto-Adjust Monitor - E750

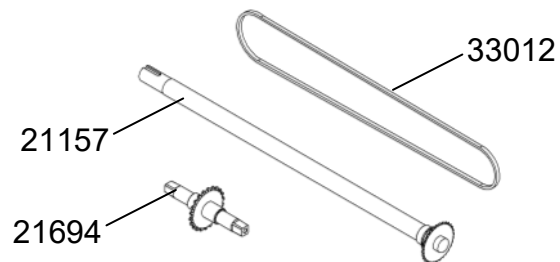
Main Drive Assembly



10011	1	Bearing Housing on Pulley Shaft with Bearing #10212
10015	1	Large PK Transmission Pulley 150mm
10017	1	Key Way 7x7x32
10083	1	Dome Head Bolt M10x20
10109	1	PK Belt 7 Rib 926mm Hutchinson
10139	1	Spring Washer M10
10146	1	Ball Bearing NSK6006ZZ
20157	1	Shaft and Sprocket for E720 for CHC25
21157	1	Shaft and Sprocket for E720 for CHC35
73082	1	Washer 30x10.2x3t SUS

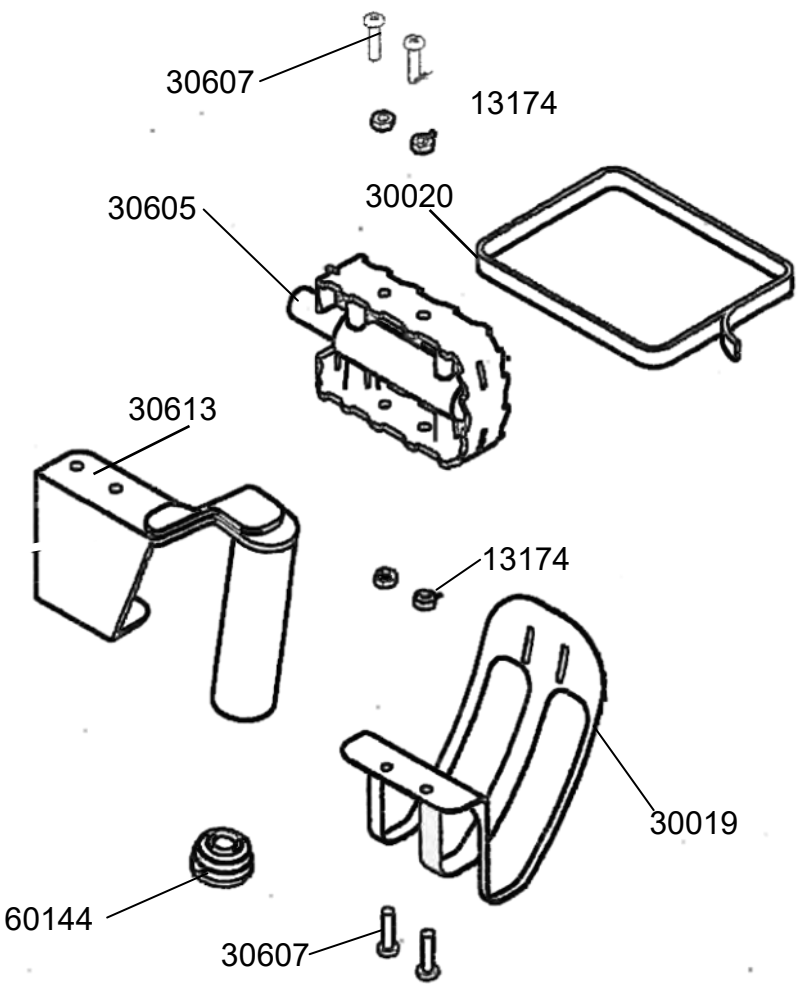
A110 E720 Chain Upgrade Kit

This kit applies to all Cycle XT & E720 before serial number 15 02709 06

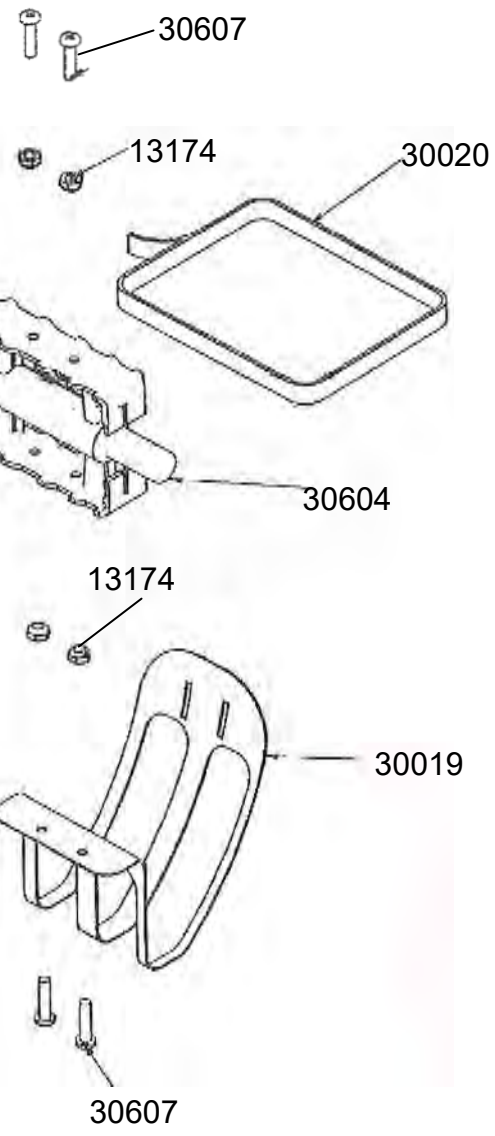


21157	1	Shaft and Sprocket for E720 for CHC-35
33012	1	Chain 118 for CHC-35
33612	1	Axle & Cog CXT/UBE for CHC-35

A038 Pedal Assembly - Left E720/CXT



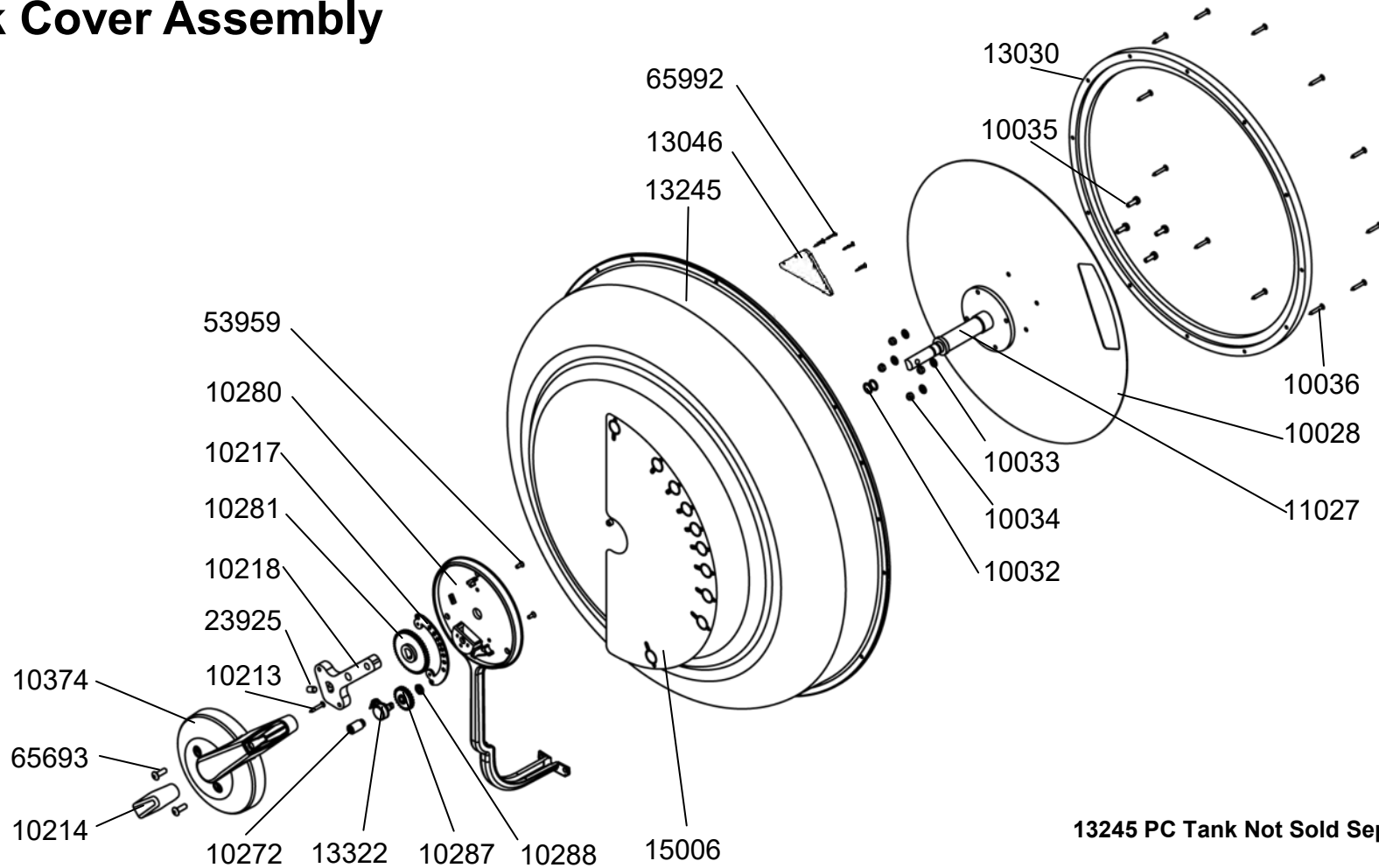
13174	4	Nyloc Nut M5
20143	1	Handle Grip for Pedal
30019	1	MT-11
30020	1	Foot Strap- W-2
30604	1	Pedal LU-998 Left - 7
30607	4	Round Head Phillips Screw M5x20
30614	1	Handle Bar Left
60144	1	Rower Handle End Inserts 28.6mm



13174	4	Nyloc Nut M5
20143	1	Handle Grip for Pedal
30019	1	MT-11
30020	1	Foot Strap- W-2
30605	1	Pedal LU-998 Right - 720
30607	4	Round Head Phillips Screw M5x20
30613	1	Handle Bar Right - 720
60144	1	Rower Handle End Inserts 28.6mm

A037 Pedal Assembly - Right E720/CXT

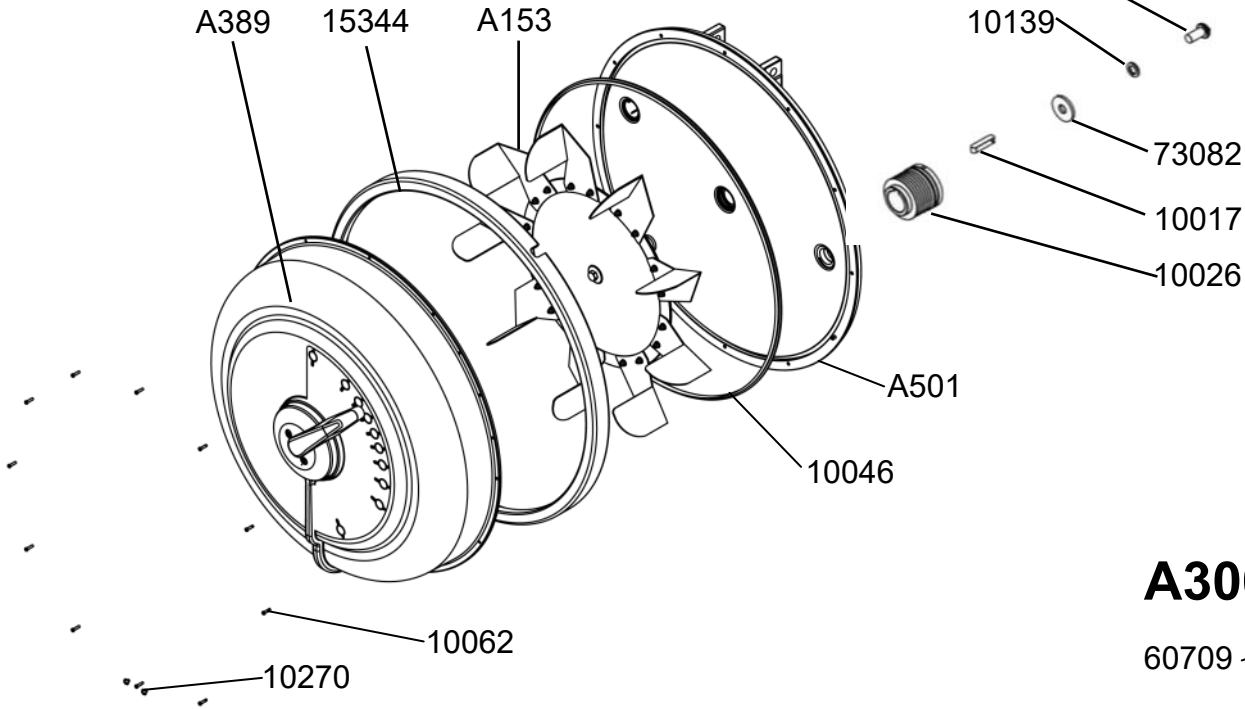
A389 Tank Cover Assembly



13245 PC Tank Not Sold Separately

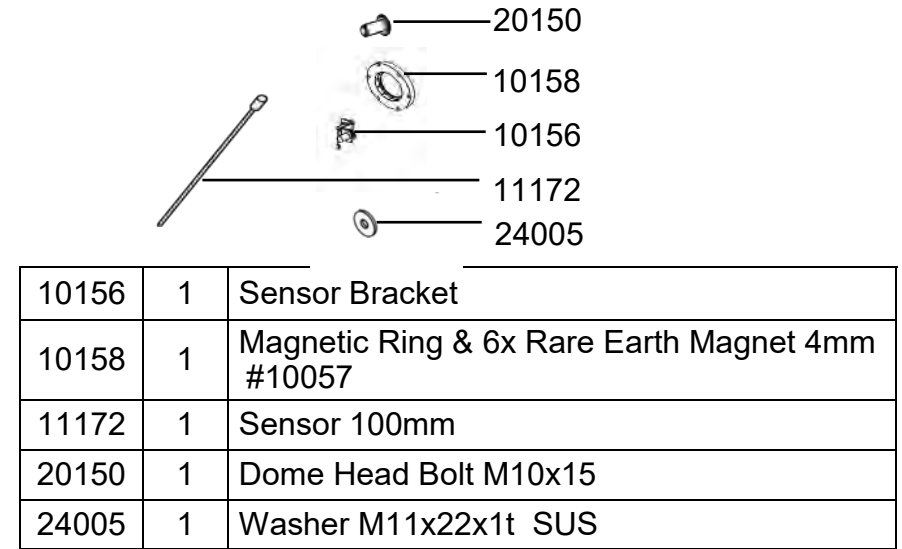
10028	1	Backing Plate 0.8mm SUS	10272	1	M10 Ball Plunger
10032	2	Nylon Resistance Adjuster O Ring 12x9x1.5	10280	1	Lever Base incl. Potentiometer, #13322 Gear #10287 & Nut #10288
10033	4	Washer 10x4.2x1 SUS	10281	1	Gear M1T48
10034	4	Nut M4 SUS	10374	1	Adjuster Knob - Blue
10035	4	Hex Bolt M4 SUS	11027	1	Adjuster Handle Shaft
10036	12	Flat Tapping Screw M3x20 SUS	13030	1	Adjuster PP Tank Ring 358x10
10213	1	Counter Sunk Screw M3x25 - SUS	13245	1	PC Tank Cover with Decal #15006 & Triangle plate #13046 & Bolts #65992 - Gray
10214	1	Adjuster Knob Cap	23925	1	Grub Screw M6x10
10217	1	Locating Plate	53959	2	Counter Sunk Bolt M3x8 - SUS
10218	1	Adjuster Handle & M10 Ball Plunger	65693	2	Dome Head Bolt M5x15 - B

A412 Complete Tank Assembly

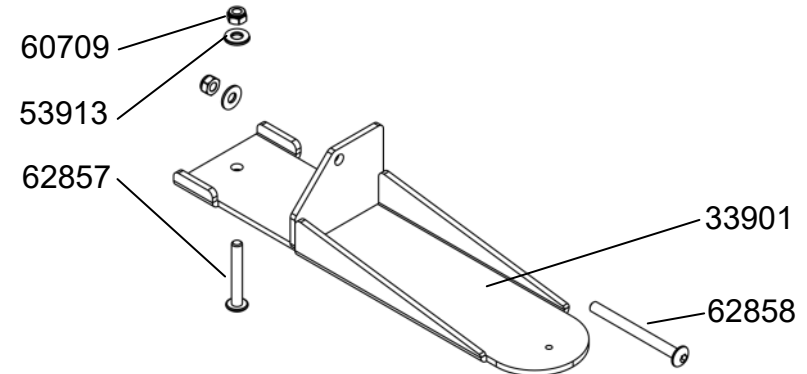


A153	1	Flywheel Assembly
A389	1	Tank Cover Assembly
A501	1	Tank Back Kit - Black
10017	1	Key Way 7x7x32
10026	1	Small 5PK Transmission Pulley 50mm
10046	1	Tank Large Seal
10062	12	Round Head Phillips Screw M3x12 SUS
10083	1	Dome Head Bolt M10x20
10139	1	Spring Washer M10
10270	2	Round Head Phillips Screw M4x10
15344	1	Tank Outer Cover Ring - Black
73082	1	Washer 30*10.2*3t SUS

A206 Sensor Kit

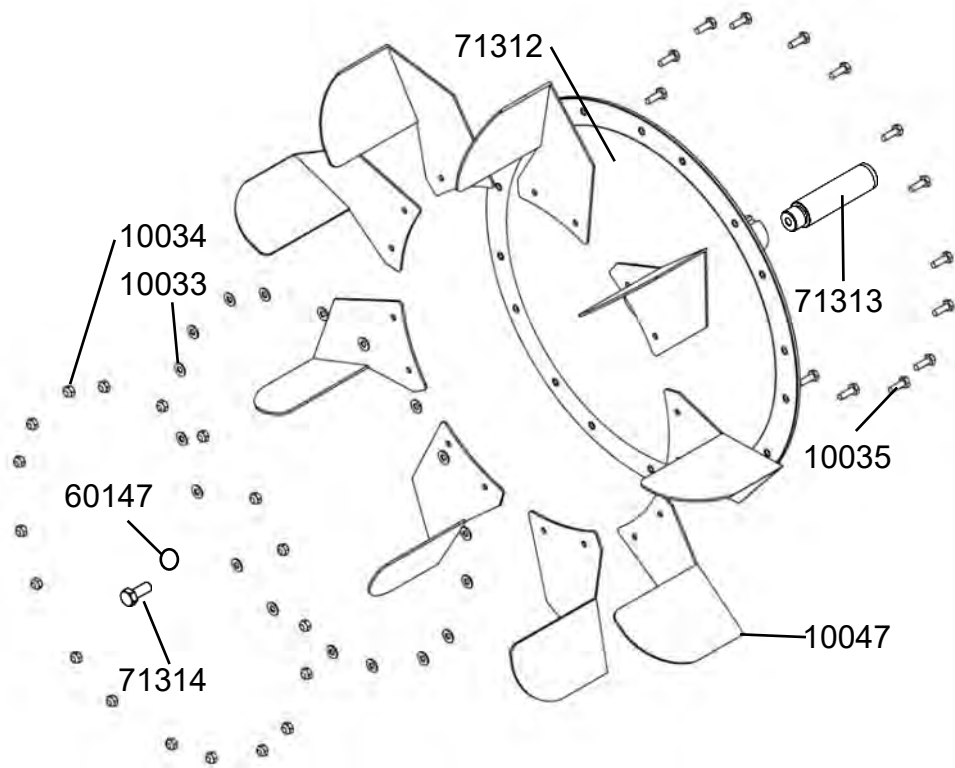


A300 CXT Support Kit for Lower Frame



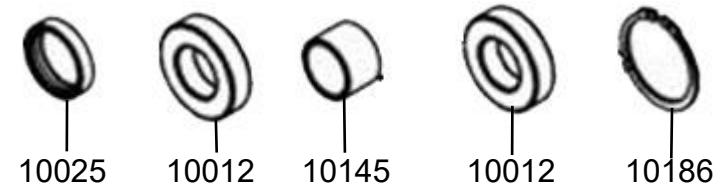
33901	1	Support Plate with #10081Washer M6 & #74038Rubber Bumper
53913	2	Washer M8x16x1t
60709	2	M8 Nyloc Nut
62857	1	Dome Head Bolt M8x55
62858	1	Dome Head Bolt M8x90

A153 Flywheel Assembly 620,720,820,920



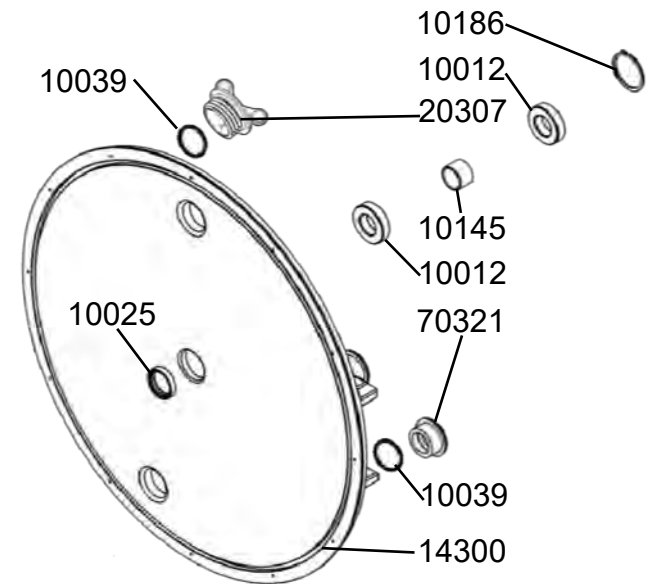
10033	18	Washer 10x4.2x1 SUS
10034	18	Nut M4 SUS
10035	18	Hex Bolt M4 SUS
10047	9	Impeller Blade
60147	1	O Ring 9.5x6.5x1.5
71312	1	Flywheel 620/720/820/920
71313	1	Impeller Shaft 620/720/820/920
71314	1	Hexagon Screws M8x20mm SUS

A012 Tank Bearing & Seal Kit



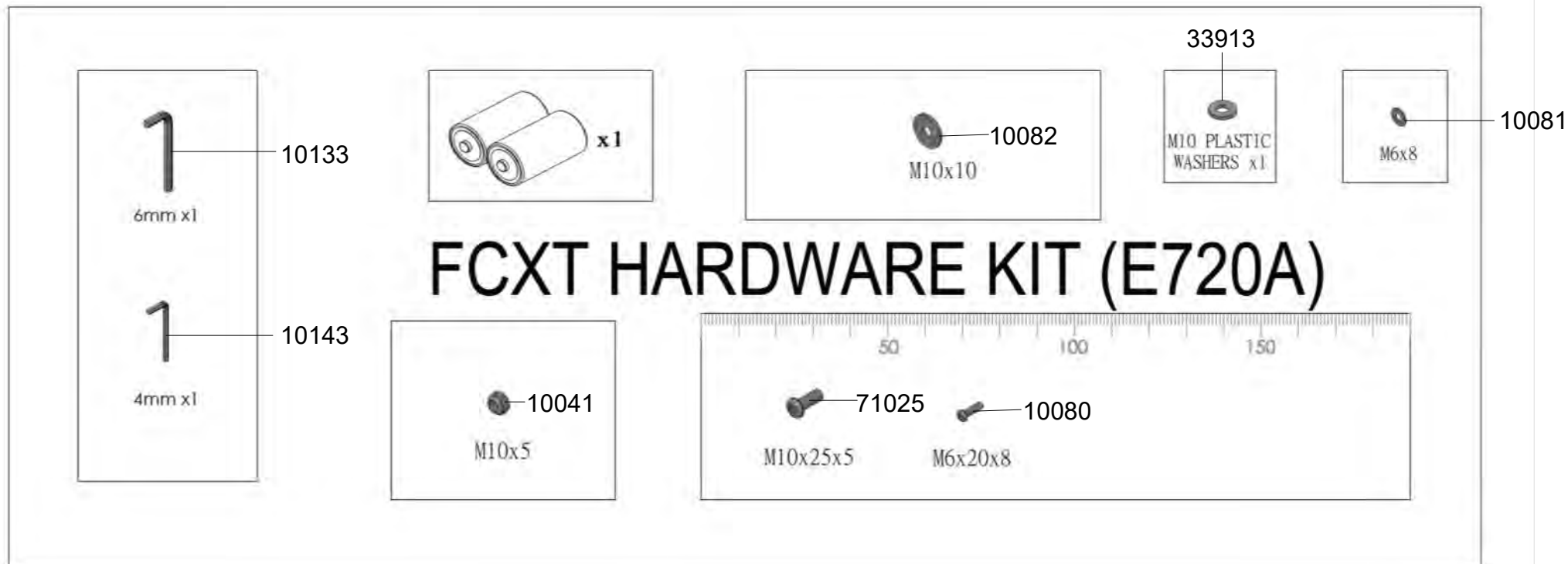
10012	2	Bearing NSK6005ZZ
10025	1	Seal NBR 37x30x8t for Flywheel Shaft
10145	1	Bearing Spacer 30x25.1x20.5mm
10186	1	C Clip RTW-48

A501 Tank Back Kit - Black



10012	2	Bearing NSK6005ZZ
10025	1	Seal NBR 37x30x8t for Flywheel Shaft
10145	1	Bearing Spacer 30x25.1x20.5mm
10186	1	C Clip RTW-48
14300	1	Tank Back
20307	1	Butterfly Tank Plug Black with Flat O-Ring #10039
70321	1	Tank Plug Black with O-Ring #10039

H720A - Hardware Kit



10041	5	Nyloc Nut M10
10080	8	Dome Head Bolt M6x20
10081	8	Washer M6x16x1
10082	10	Washer M10x21x2
10133	1	Allen Key 6mm
10143	1	Allen Key 4mm
10208	1	D Cell Duracell Battery
33913	1	Plastic Spacer 10x25x4T
71025	5	Dome Head Bolt M10x25