



**We do the thinking,
you do the moving**

müüV Bike

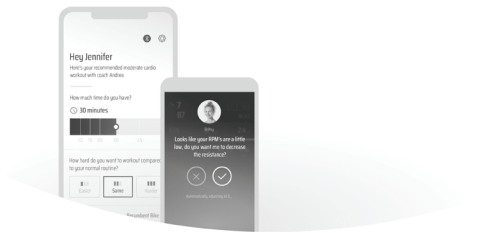
OWNERS MANUAL

müüv helps you move 500+ minutes per month



**It's not about exercise.
It's about moving.**

Here's how:



smart coaching

We do the thinking. You do the moving. Reach your goals faster while having more fun with smart coaching, integrated equipment, and encouragement from your friends.



smart equipment

müüv coaching integrates all your existing equipment into a seamless workout experience. Bring along any equipment you already own and find your fit with a wide variety of supported equipment from Stamina.

Why müüv works

müüv is based on science and experience - our team of kinesiologists have over 40 years of experience working with more than 3.7 million members. This team developed müüv to make it easy for you - we do the thinking and you do the moving.



müüv helps you move 500+ minutes per month with the right mix of cardio, strength, and flexibility for a healthy and sustainable lifestyle



müüv combines smart coaching, equipment, and encouragement from your friends in one seamless experience to help you reach your goals fast while having fun



müüv provides you the flexibility to move when and where you want while doing the things you love for long-lasting results

Learn more @ <https://muuv.fit>

müüv

Quickstart Guide

IMPORTANT

! To fully operate your müüv bike you will need the free müüv app.

Download the app and get moving!



Go to the App Store on your device or scan the QR Code for quick access.



The required müüv app provides the ability to:

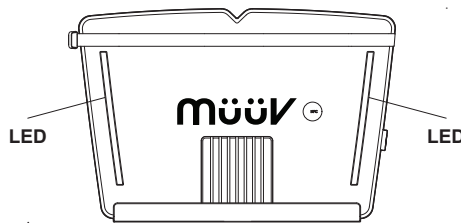
- ✓ **Assemble Your Bike** / Watch the short video for easy set-up.
- ✓ **Configure Your Bike** / Learn how to adjust the handlebars, seat height and more so the bike fits you for a comfortable ride.
- ✓ **Control Your Bike** / Connect your smart phone via Bluetooth to start, stop, or pause your workouts and adjust your resistance as you ride.
- ✓ **See How You're Doing** / View your RPMs, resistance, speed, time lapsed and time remaining while you ride.
- ✓ **Receive SMART Audio Coaching** / We use your profile information, preferences, and real-time performance & bike data to provide you with smart and adaptive training to help you reach your goals.
- ✓ **Get Encouragement From Your Friends** / Receive short motivational audio messages called bumps while you ride.
- ✓ **Wake Up Your Bike** / Place your device on the SMART Mount to wake the bike and get it ready to ride.
- ✓ **Update Your Bike Software** / Make sure you always have the latest and greatest features on your bike.

Exclusive
to the müüv
bike



müüv is not only a bike it's your workout buddy

Your bike uses LED lights on the smart mount to
communicate with you



**your bike
mount lights will**

**when
this happens**

	White	Glow. 2 seconds up, 2 seconds down	Bike Turns On
	White	Solid Full	Bike Paired with Device
	Dark Blue	3 Quick Blink, Solid	Workout Start
	Dark Blue	3 Quick Blink, Fiesta	Workout Completed
	Dark Blue	Slow Blink	Workout Paused
	Dark Teal	All LED Quick Blink 3x	Interval Complete
	Teal	Single LED Run Up Both Sides	Level Increase
	Teal	Single LED Run Down Both Sides	Level Decrease
	Teal	Single LED Run Up Left Side, Run Down Right Side	Skip Movement
	Dark Red	Top Right LED Blink 10x	RPM High
	Light Red	Bottom Right LED Blink 10x	RPM Low
	Dark Red	Both Top 3 Blink	HR High
	Light Red	Both Bottom 3 Blink	HR Low
	Dark Red	Top Left LED Blink 10x	Resistance High
	Light Red	Bottom Left LED Blink 10x	Resistance Low
	Magenta	Persistent Slow Blink	Bump Arrival
	Magenta	Solid Full	Bump Playing
	Magenta	3 Quick Blink, Solid	Friend Started Workout
	Magenta	3 Quick Blink, Fiesta	Friend Finished Workout
	Yellow	10 Quick Blinks	Workout Starts Soon
	Yellow	Persistent Quick Blink	Workout Supposed to Start Now
	Yellow	Persistent Slow Blink	Message from müüv

Exclusive
to the müüv
bike



Control your müüv bike & your workout with your voice

Stay engaged with your workout without having to keep reaching for your phone. To control your bike using your voice, download the müüv app on your device. Example commands include:



“Hey Siri... ask muuv to...”

“Replace Exercise”

“Skip Exercise”

“Make Harder”

“Make Easier”

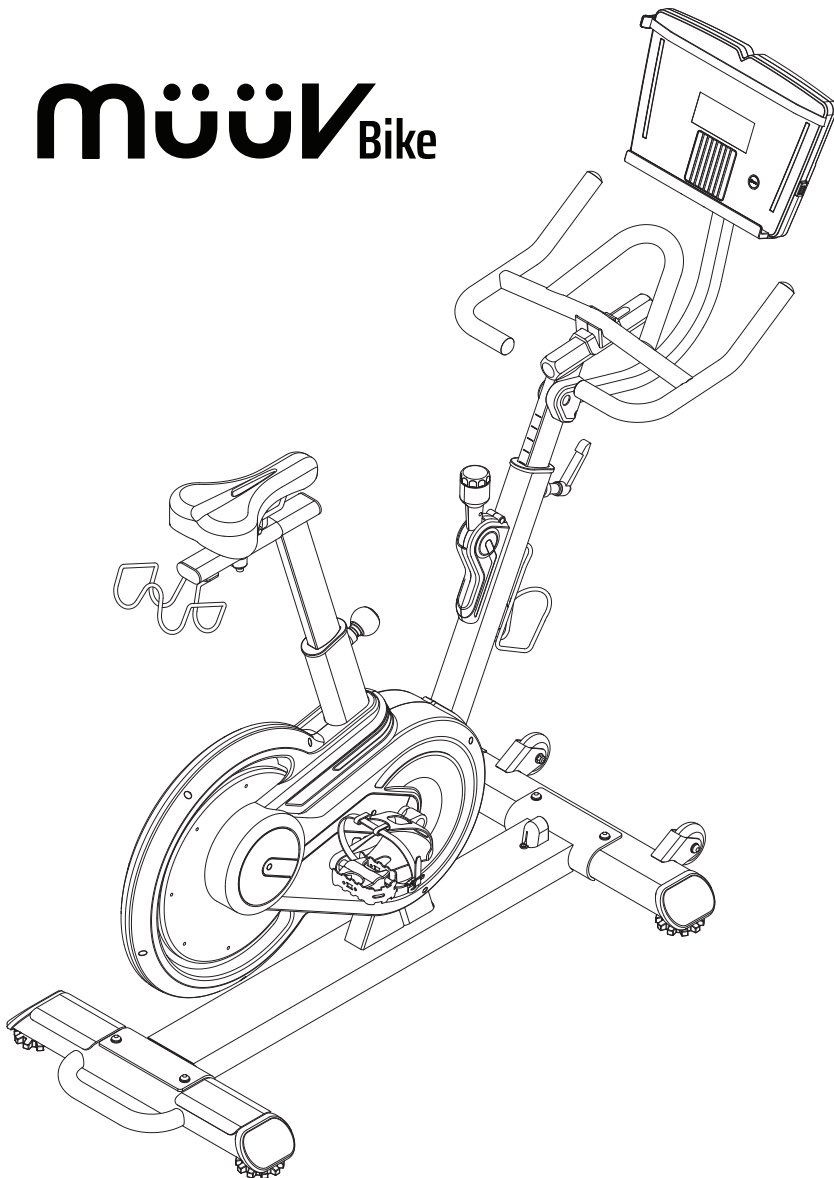
“Pause Workout”

“Resume Workout”

Directions and commands vary by device type. For more information and to be prompted to set up voice control, download the müüv app and start a workout.



müüv Bike



Product May Vary Slightly From Pictured.

CAUTION:
Weight on this product should not exceed 330 lbs.

This Product is Distributed Exclusively by



2040 N Alliance Ave, Springfield, MO 65803
Customer Care
1 (800) 375-7520
www.staminaproducts.com

⚠ WARNING

Exercise can present a health risk. Consult a physician before beginning any exercise program with this equipment. If you feel faint or dizzy, immediately discontinue use of this equipment. Serious bodily injury can occur if this equipment is not assembled and used correctly. Serious bodily injury can also occur if all instructions are not followed. Keep others and pets away from equipment when in use. Always make sure all bolts and nuts are securely tightened prior to each use. Follow all safety instructions in this manual.

When calling for parts or service, please specify the following numbers:

Model#: 15-8100

S/N: _____

**STAMINA PRODUCTS
MADE IN CHINA**

© 2021 Stamina Products, Inc.
2021, 03

TABLE OF CONTENTS

Important Safety Instructions	7	Maintenance	25
Safety Instructions	8	Conditioning Guidelines	26
Before You Begin	10	Warm-Up and Cool-Down	27
Equipment Warning, Caution & Notice Labels ..	11	Product Parts Drawing	28
Hardware Identification Chart	12	Parts List	29
Assembly Instructions	13	Warranty	32
Set Up Instructions	18	Notes	33
Operational Instructions	19	Fax/Mail Ordering Form	34
Storage	25		

IMPORTANT SAFETY INSTRUCTIONS

When using an electrical appliance, basic precautions should always be followed, including the following:

Read all instructions before using the **müüv bike**.

⚠ DANGER To reduce the risk of electric shock:

1. Always unplug the **müüv bike** from the electrical outlet immediately after using and before cleaning.

⚠ WARNING To reduce the risk of burns, fire, electric shock, or injury to persons:

1. An appliance should never be left unattended when plugged in. Unplug from outlet when not in use, and before putting on or taking off parts.
2. The **müüv bike** is not intended for use by persons with reduced physical, sensory or mental capabilities, or lack of experience and knowledge, unless they have been given supervision or instruction concerning use of the **müüv bike** by a person responsible for their safety. Keep children under the age of 13 away from the **müüv bike**.
3. Use the **müüv bike** only for its intended use as described in this manual. Do not use attachments not recommended in this manual.
4. Never operate the **müüv bike** if it has a damaged adapter, if it is not working properly, if it has been dropped or damaged, or dropped into water. Contact Customer Care for replacement parts.
5. Keep the cord away from heated surfaces.
6. Never drop or insert any object into any opening.
7. Do not use outdoors.
8. Do not operate where aerosol (spray) products are being used or where oxygen is being administered.
9. To disconnect, turn all controls to the off position, then remove plug from outlet.

BEFORE YOU BEGIN

⚠ WARNING Cancer and Reproductive Harm www.P65Warnings.ca.gov

⚠ WARNING Consult your physician before starting this or any exercise program. This is especially important if you are over the age of 35, have never exercised before, are pregnant, or suffer from any health problem. This product is for home use only. Do not use in institutional or commercial applications. Failure to follow all warnings and instructions could result in serious injury or death.

⚠ WARNING To reduce the risk of serious injury, read the following Safety Instructions before using the müüv bike.

1. Save these instructions and ensure that other exercisers read this manual prior to using the **müüv bike** for the first time.
2. Read all warnings and cautions posted on the **müüv bike**.
3. The **müüv bike** should only be used after a thorough review of the Owner's Manual. Make sure that it is properly assembled and tightened before use.
4. We recommend that two people be available for assembly of this product.
5. Keep children away from the **müüv bike**. Do not allow children to use or play on the **müüv bike**. Keep children and pets away from the **müüv bike** when it is in use.
6. The **müüv bike** is not a freewheeling exercise bike; therefore, pedal speed should be reduced in a controlled manner to prevent injury from spinning pedals.
7. It is recommended that you place this exercise equipment on an equipment mat.
8. Set up and operate the **müüv bike** on a solid level surface. Do not position the **müüv bike** on loose rugs or uneven surfaces.
9. Make sure that adequate space is available for access to and around the **müüv bike**. A minimum of 20 inches on both sides and 20 inches either behind or in front of the **müüv bike** is required for safe operation.
10. Adjust the STANDS(42) under the FRONT and REAR STABILIZERS(2, 3) so that the **müüv bike** sits on the floor without rocking. See page 13 for detailed leveling instructions.
11. Before using, inspect **müüv bike** for worn or loose components, and tighten or replace any worn or loose components prior to use.
12. Check that the PEDALS(23,17) are fully tightened prior to each use. If the pedals are not tight against the cranks they will come loose and fall off during use.
13. Before getting on the **müüv bike**, always check the SEAT POST(6), SEAT SLIDER(8), PEDALS(17, 23), and HANDLEBAR(10) to be sure they are secure.
14. Each user should adjust the seat per instructions on page 21.
15. Do not attempt to adjust the seat while you are on the **müüv bike**.
16. Do not step on any portion of the plastic cover when getting on or off the Bike. This can cause the plastic cover to crack.
17. Consult a physician prior to commencing an exercise program and follow his/her recommendations in developing your fitness program. If at any time during exercise you feel faint, dizzy, or experience pain, stop and consult your physician.
18. Always choose the workout which best fits your physical strength and flexibility level. Know your limits and train within them. Always use common sense when exercising.
19. Do not wear loose or dangling clothing while using the **müüv bike**.
20. Never exercise in bare feet or socks; always wear proper footwear such as running, walking, or cross training shoes that fit well, provide foot support, and feature non-skid rubber soles.
21. Be careful to maintain your balance while using, mounting, dismounting, or assembling the **müüv bike**, loss of balance may result in a fall and serious bodily injury.
22. The **müüv bike** should not be used by persons weighing over 330 pounds.
23. The **müüv bike** should be used by only one person at a time.
24. The **müüv bike** is for consumer use only. It is not for use in public or semipublic facilities.

EXTEND YOUR PARTS WARRANTY TO 180 DAYS FROM THE DATE OF PURCHASE. REGISTER YOUR PRODUCT.



**NEED HELP?
CONTACT US FIRST
1 (800) 375-7520
customer.care@staminaproducts.com**

Hi! From all of us here at Stamina Products, thank you for your purchase. We know that you have big fitness goals in mind and we are here to help you along. Call us, email us, or send us a message on Facebook. Be sure to contact us if you have any questions on your new product. We look forward to hearing from you!

With your body in mind,
Stamina Customer Care

To enact your extended warranty and to help us better serve you, please go online and register your new product.

register.staminaproducts.com

It is quick and easy to register online, but if you're a little old school or just need a reason to raise that little flag on your mailbox, fill out the info on the last page of this manual and mail it in.



ONLINE

customer.care@staminaproducts.com
www.staminaproducts.com



TELEPHONE

1 (800) 375-7520



FAX

(417) 889-8064



MAIL

Stamina Products, Inc.
ATTN: Customer Care
2040 N Alliance Ave
Springfield, MO 65803

 facebook.com/StaminaProducts
facebook.com/AeroPilates

CUSTOMER CARE HOURS:
Monday-Thursday, 7:30 AM-5:00 PM, Central Time
Friday, 8:00 AM-3:00 PM, Central Time

BEFORE YOU BEGIN

Thank you for choosing the **müüv bike**. We take great pride in this quality product and hope it will provide many hours of quality exercise to make you feel better, look better, and enjoy life to its fullest.

It's a proven fact that a regular exercise program can improve your physical and mental health. Too often, our busy lifestyles limit our time and opportunity to exercise. The **müüv bike** provides a convenient and simple method to begin your journey of getting your body in shape and achieving a happier and healthier lifestyle.

Before reading further, please review the drawing below and familiarize yourself with the parts that are labeled. Locate the serial decal on the product and write the serial number on page 6 of the manual in the space provided. See the next page for an image of the serial decal. Model number and serial number are required when

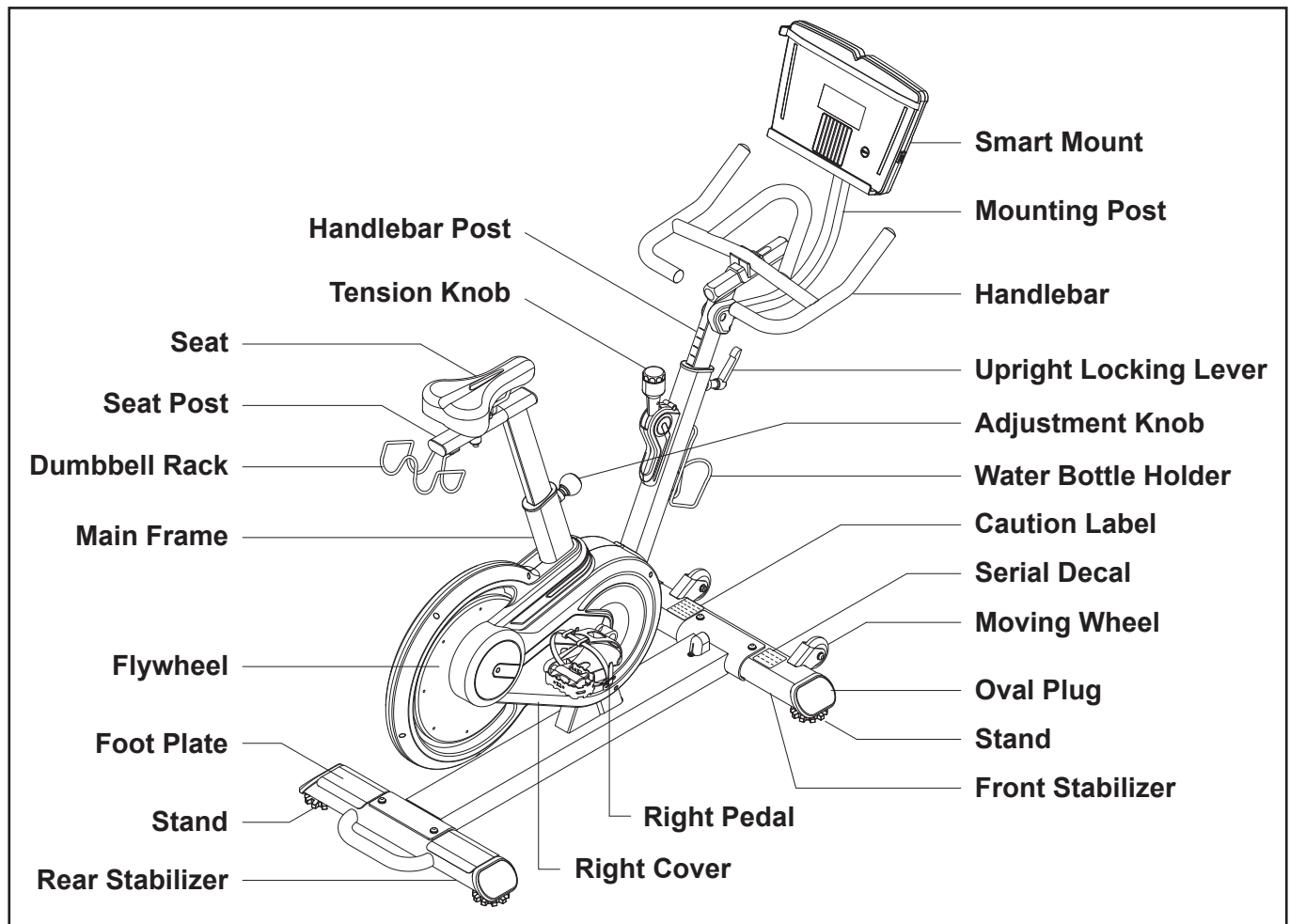
calling for assistance.

Read this manual carefully before using the **müüv bike**.

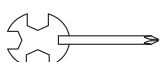
Providing you with a quality product is Stamina's top priority. However, sometimes there could be a missing or incorrectly sized part. If you have any questions or problems with the parts included with your **müüv bike**, please do not return the product. Contact us **FIRST!**

If a part is missing or defective, please contact Customer Care for assistance. Call us toll free at 1-800-375-7520 (in the U.S.) or live chat on staminaproducts.com. Our Customer Care Staff is available to assist you from 7:30 A.M. to 5:00 P.M. (Central Time) Monday through Thursday and 8:00 A.M. to 3:00 P.M. (Central Time) on Friday.

Be sure to have the name and model number of the product available when you contact us.



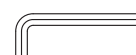
THE FOLLOWING TOOLS ARE INCLUDED FOR ASSEMBLY :



Combination Wrench (2 pieces)



Allen Wrench (4mm)



Allen Wrench (5mm)

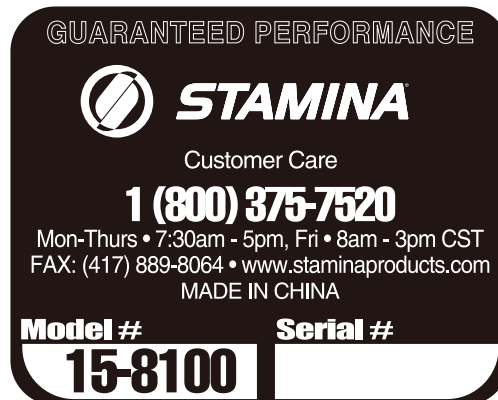
EQUIPMENT WARNING, CAUTION & NOTICE LABELS

This chart is provided to help identify the warning, caution, and notice labels on the müüv bike. Please take a moment to familiarize yourself with all of the warning, caution, and notice labels.

CAUTION LABEL(54)



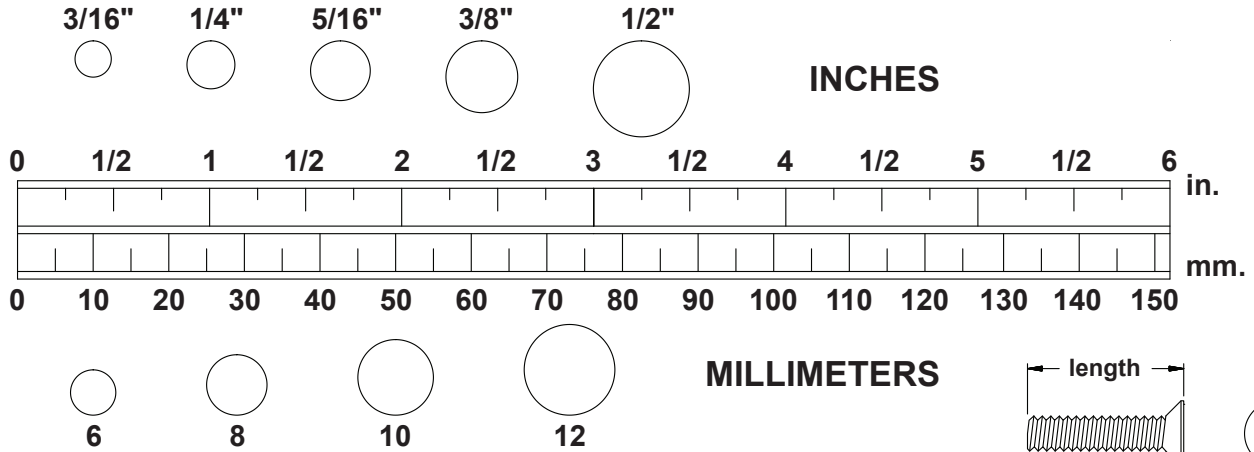
SERIAL DECAL(111)



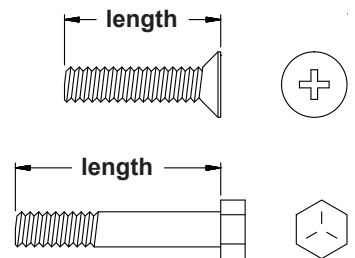
To best serve you, our Customer Care Representatives will need your serial number. For quick access, write in your serial number on the cover of the manual.

HARDWARE IDENTIFICATION CHART

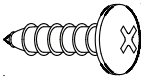
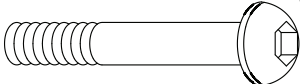
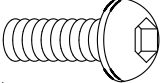
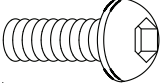
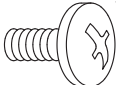
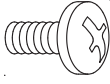


This chart is provided to help identify the fasteners used in the assembly process. Place the washers or the ends of the bolts or screws on the circles to check for the correct diameter. Use the small scale to check the length of the bolts and screws.



NOTICE: The length of all bolts and screws, except those with flat heads, is measured from below the head to the end of the bolt or screw. Flat head bolts and screws are measured from the top of the head to the end of the bolt or screw.



After unpacking the unit, open the hardware bag and make sure that you have all the following fasteners. Some fasteners may be already attached to the parts.

	Part Number and Description	Qty
	16 Screw, Round Head (ST4.2 x 16mm)	2
	63 Bolt, Button Head (M8 x 1.25 x 65mm)	4
	70 Bolt, Button Head (M6 x 1 x 12mm)	5
	72 Bolt, Button Head (M8 x 1.25 x 15mm)	2
	71 Screw, Large Round Head (M5 x 0.8 x 8mm)	2
	93 Screw, Round Head (M5 x 0.8 x 8mm)	4
	64 Washer (M8)	4
	87 Washer (M10 x ø25 x 2mm thick)	1

ASSEMBLY INSTRUCTIONS

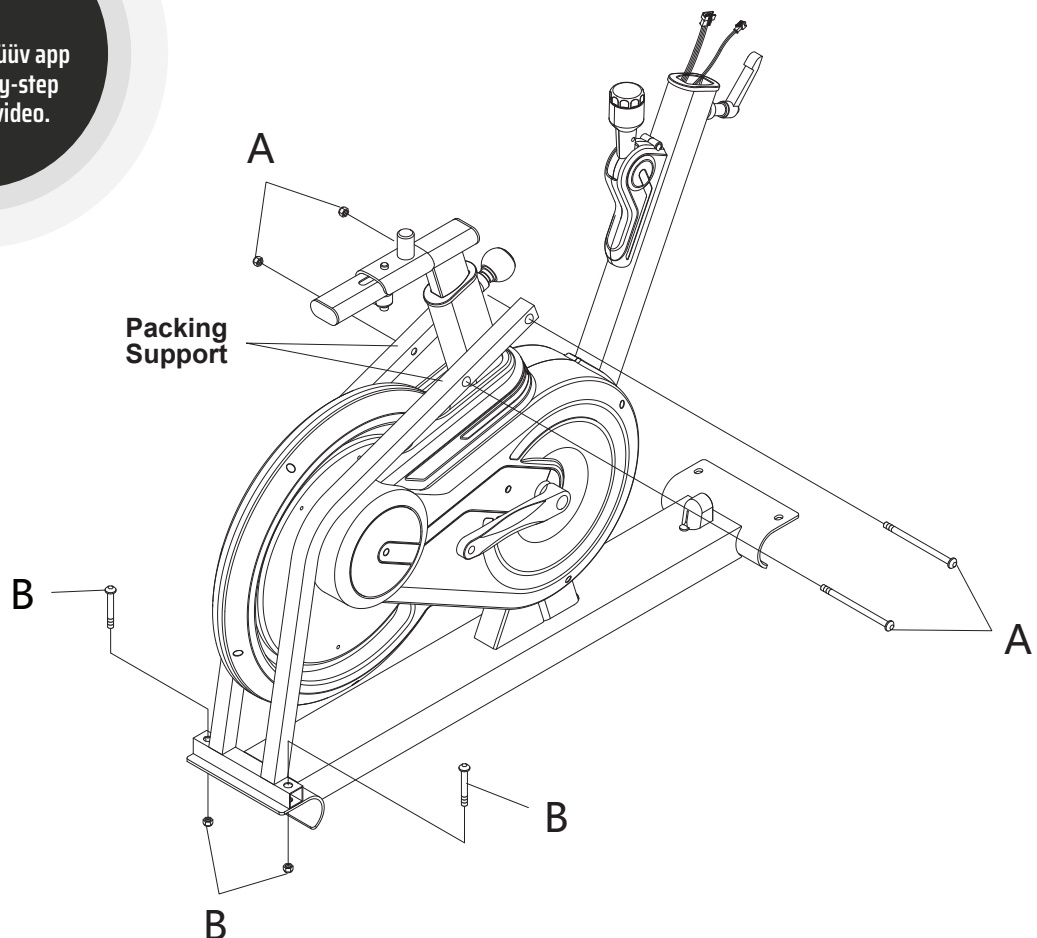
Place all parts from the box in a cleared area and position them on the floor in front of you. Remove all packing materials from your area and place them back into the box. Do not dispose of the packing materials until assembly is completed. Read each step carefully before beginning. If you are missing a part, please go to staminaproducts.com under the Customer Care section and order the part needed, e-mail us at customer.care@staminaproducts.com, or call us toll free at 1-800-375-7520 (in the U.S.). Our Customer Care Staff is available to assist you from 7:30 A.M. to 5:00 P.M. (Central Time) Monday through Thursday and 8:00 A.M. to 3:00 P.M. (Central Time) on Friday.

Some product parts are fit tested at the factory to ensure proper fit and alignment. Marks in the paint may be noticeable, but are not an indication of damage.

NOTE: There are some packing parts attached on the **müüv bike**. Please follow the steps below to remove them before any assembly. These parts are only for packing, do not dispose of the packing materials until assembly is completed.

STEP 1

Remove the **BOLTS** and **NUTS** from **A** and **B** two positions. Remove the **PACKING SUPPORT**.



ASSEMBLY INSTRUCTIONS

STEP 2

Make the **MOVING WHEELS(60)** on the **FRONT STABILIZER(2)** face the front, then attach the **FRONT STABILIZER(2)** to the **MAIN FRAME(1)** with **BUTTON HEAD BOLTS(M8x1.25x65mm)(63)** and **WASHERS(M8)(64)**.

STEP 3

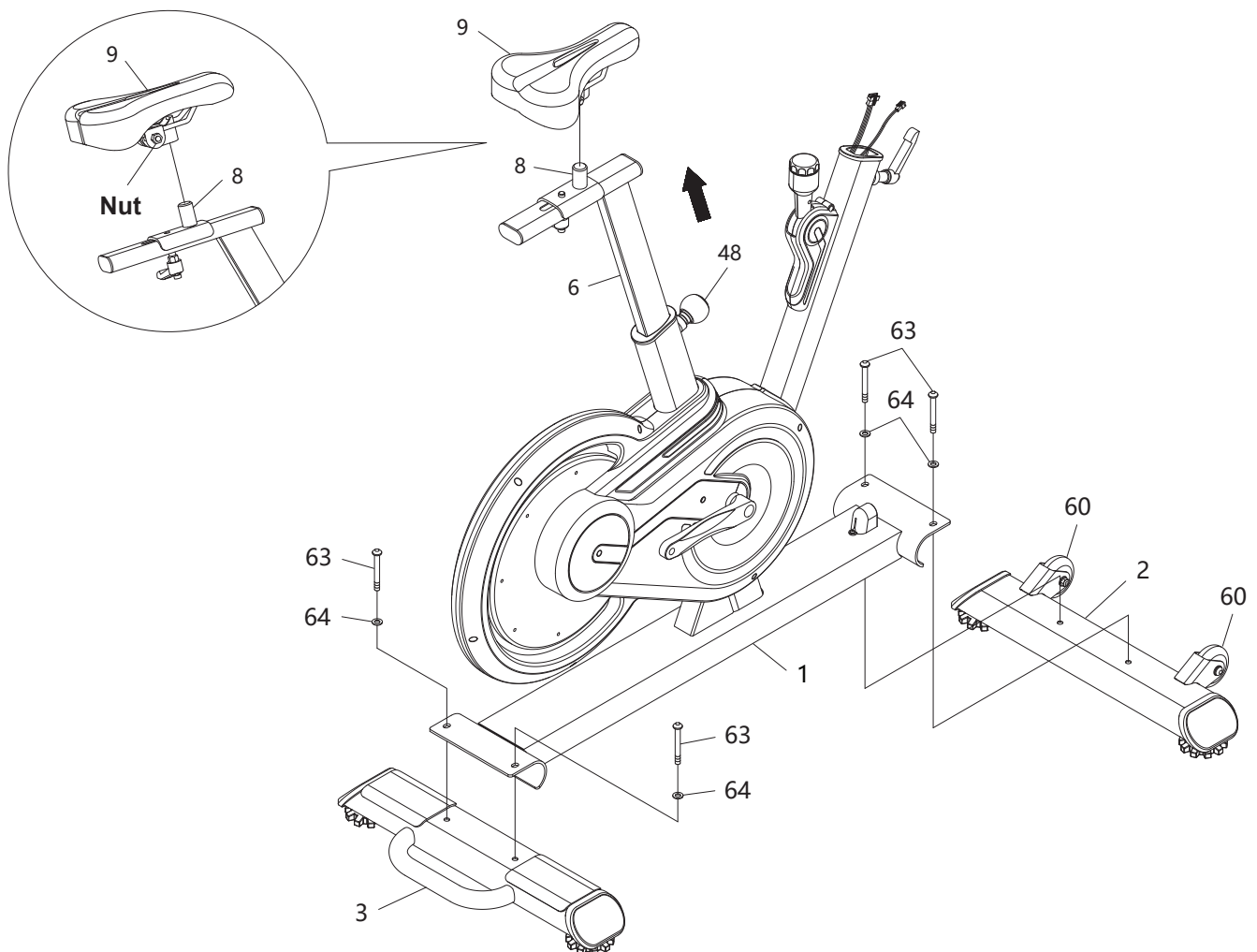
Attach the **REAR STABILIZER(3)** to the **MAIN FRAME(1)** with **BUTTON HEAD BOLTS(M8x1.25x65mm)(63)** and **WASHERS(M8)(64)**.

NOTE: See page 17 for detailed leveling instructions to prevent rocking.

STEP 4

Loosen and pull the **ADJUSTMENT KNOB(48)**, then adjust the **SEAT POST(6)** to a higher position. Refer to the detail view below. Attach the **SEAT(9)** to the **SEAT SLIDER(8)** by inserting the connector of the **SEAT SLIDER(8)** into the **SEAT(9)**. Adjust the **SEAT(9)** by raising or lowering the front of the **SEAT(9)** until the top of the **SEAT(9)** is parallel to the floor, and make the **SEAT(9)** point straight forward then securely tighten the **NUTS(M8x1.25)** under the **SEAT(9)**.

NOTE: The pin of the **ADJUSTMENT KNOB(48)** must be inserted into one of the adjustment holes in the **SEAT POST(6)** and the **ADJUSTMENT KNOB(48)** must be screwed in tight to ensure that the **SEAT POST(6)** will fit securely in the **MAIN FRAME(1)**.



ASSEMBLY INSTRUCTIONS

STEP 5: There is a strap attached inside of the **HANDLEBAR POST(13)** to assist in pulling the **CONTROL CABLE(103)** and **CONNECTING WIRE(104)** through the **HANDLEBAR POST(13)**. Tie the strap to the plug ends of the **CONTROL CABLE(103)** and **CONNECTING WIRE(104)**. Pull the strap from the top end to pull the cables to through and extend out from the hole at the front of the **HANDLEBAR POST(13)** as shown in the below illustration. Loosen and pull the **UPRIGHT LOCKING LEVER(49)**, then insert the **HANDLEBAR POST(13)** into the **MAIN FRAME(1)**. Insert the pin of the **UPRIGHT LOCKING LEVER(49)** into one of the adjustment holes in the **HANDLEBAR POST(13)**. Tighten the **UPRIGHT LOCKING LEVER(49)** to lock the **HANDLEBAR POST(13)** in position.

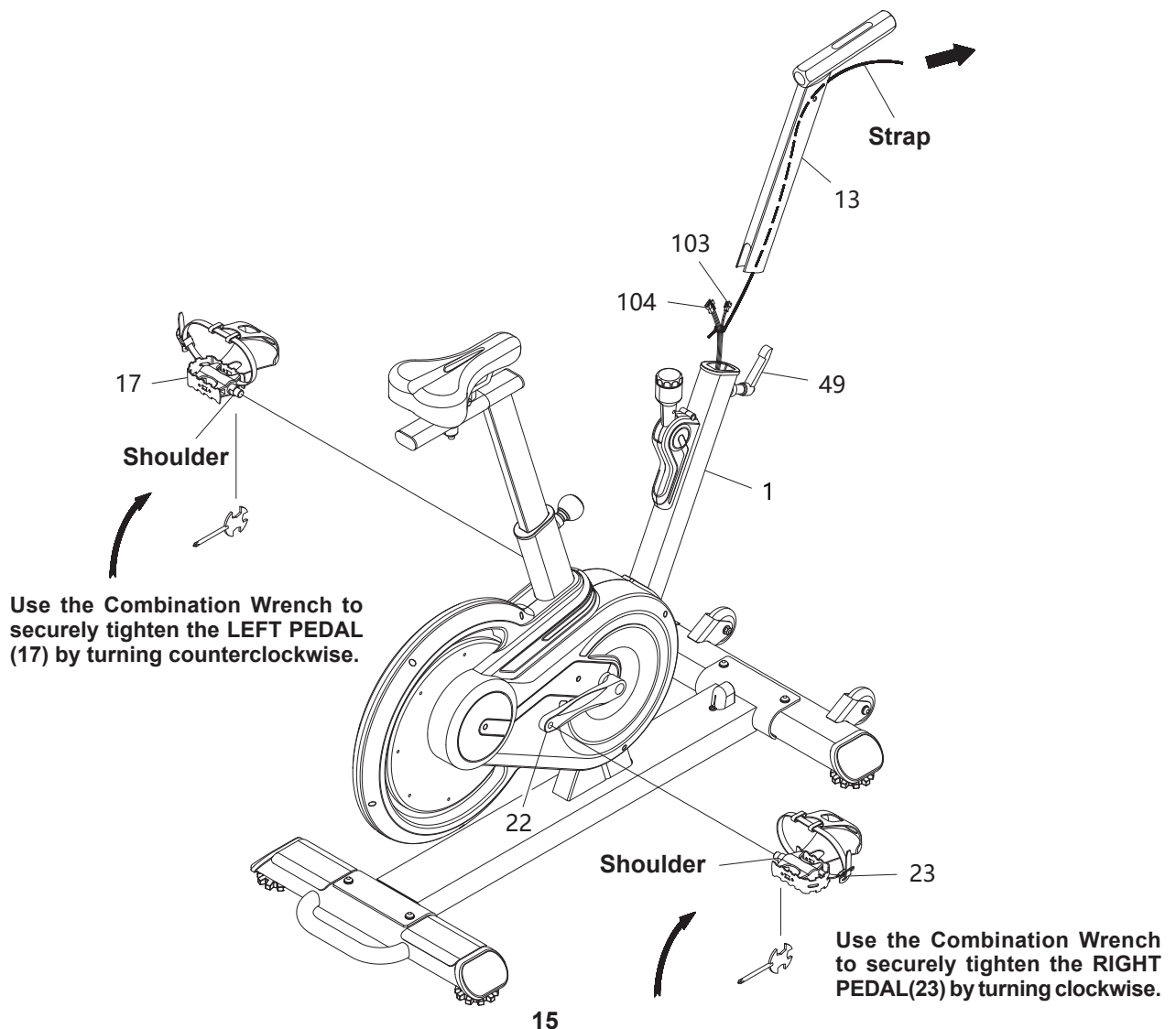
NOTE: Don't remove the strap from the **CONTROL CABLE(103)** and **CONNECTING WIRE(104)** until instructed to do so in later assembly steps.

STEP 6

NOTE: The **RIGHT PEDAL(23)** has right hand threads and is tightened by turning clockwise. The **LEFT PEDAL(17)** has left hand threads and is tightened by turning counterclockwise.

Thread the **RIGHT PEDAL(23)** into the **RIGHT CRANK(22)** as shown. The shoulder of the **RIGHT PEDAL(23)** **must** be in contact with the **RIGHT CRANK(22)**. Tighten the pedal securely or it **will** come loose and fall off during use and strip the threads. Do the same to attach the **LEFT PEDAL(17)** to the **LEFT CRANK(18)**.

CAUTION: Check that the **PEDALS(23,17)** are fully tightened prior to each use. If the pedals are not tight against the cranks they will come loose and fall off during use.



ASSEMBLY INSTRUCTIONS

STEP 7

Attach the **WATER BOTTLE HOLDER(24)** to the **MAIN FRAME(1)** with **LARGE ROUND HEAD SCREWS (M5x0.8x8mm)(71)**.

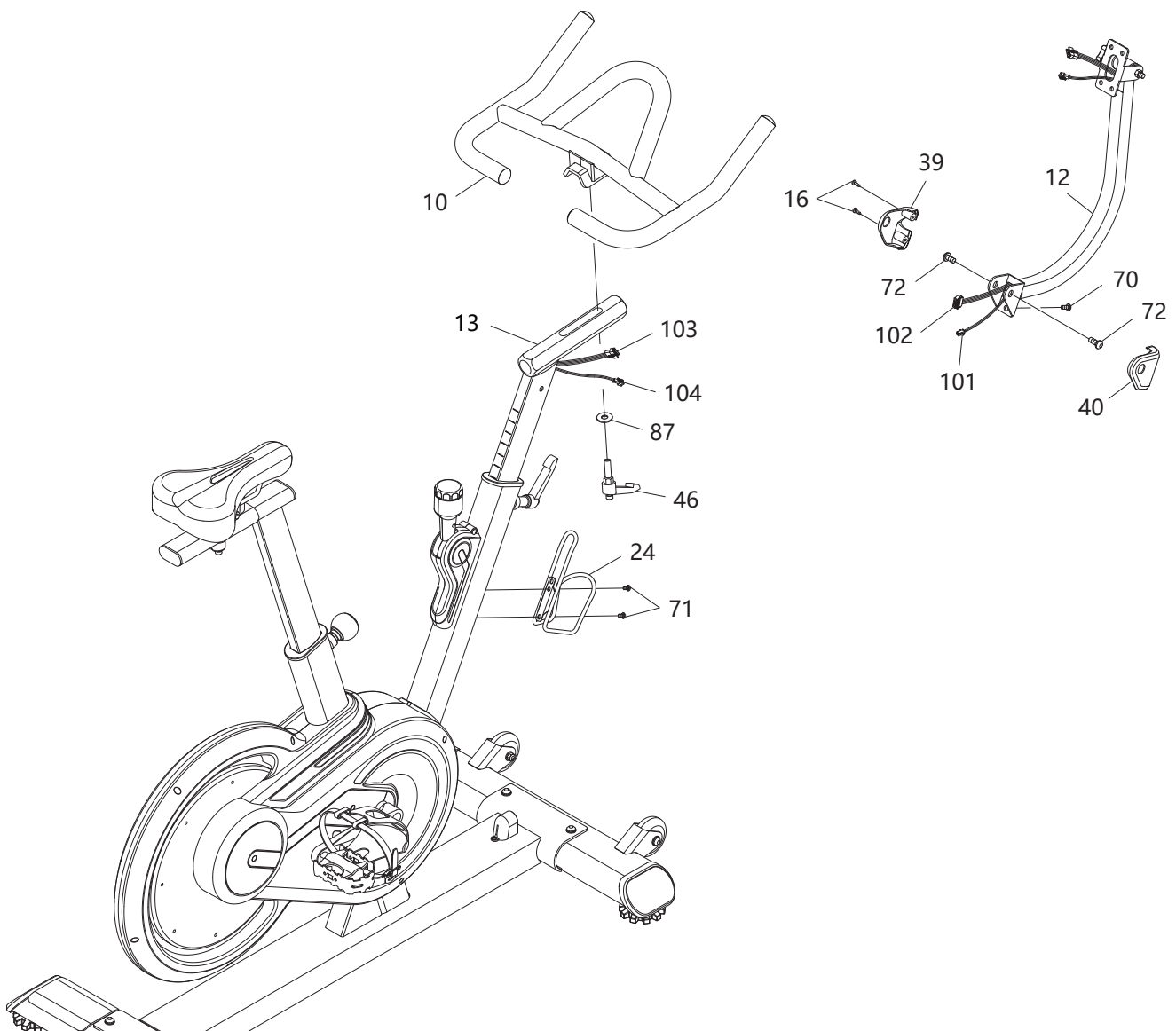
STEP 8

Plug the **EXTENSION CONTROL CABLE(102)** into the **CONTROL CABLE(103)**. Plug the **EXTENSION WIRE(101)** into the **CONNECTING WIRE(104)**. Push the excess wires back into the **HANDLEBAR POST(13)**, then attach the **MOUNTING POST(12)** to the **HANDLEBAR POST(13)** with **BUTTON HEAD BOLTS(M8x1.25x15mm)(72)** and **BUTTON HEAD BOLT(M6x1x12mm)(70)**. Attach the **LEFT and RIGHT MOUNTING COVERS(39, 40)** to the **MOUNTING POST(12)** to cover the bracket with **ROUND HEAD SCREWS(ST4.2x16mm)(16)**.

NOTE: Be careful not to damage the wires when attaching the **MOUNTING POST(12)**.

STEP 9

Attach the **HANDLEBAR(10)** to the **HANDLEBAR POST(13)** and secure with the **HANDLEBAR LOCKING LEVER(46)** and **WASHER(M10xø25x2mm thick)(87)**.



ASSEMBLY INSTRUCTIONS

STEP 10

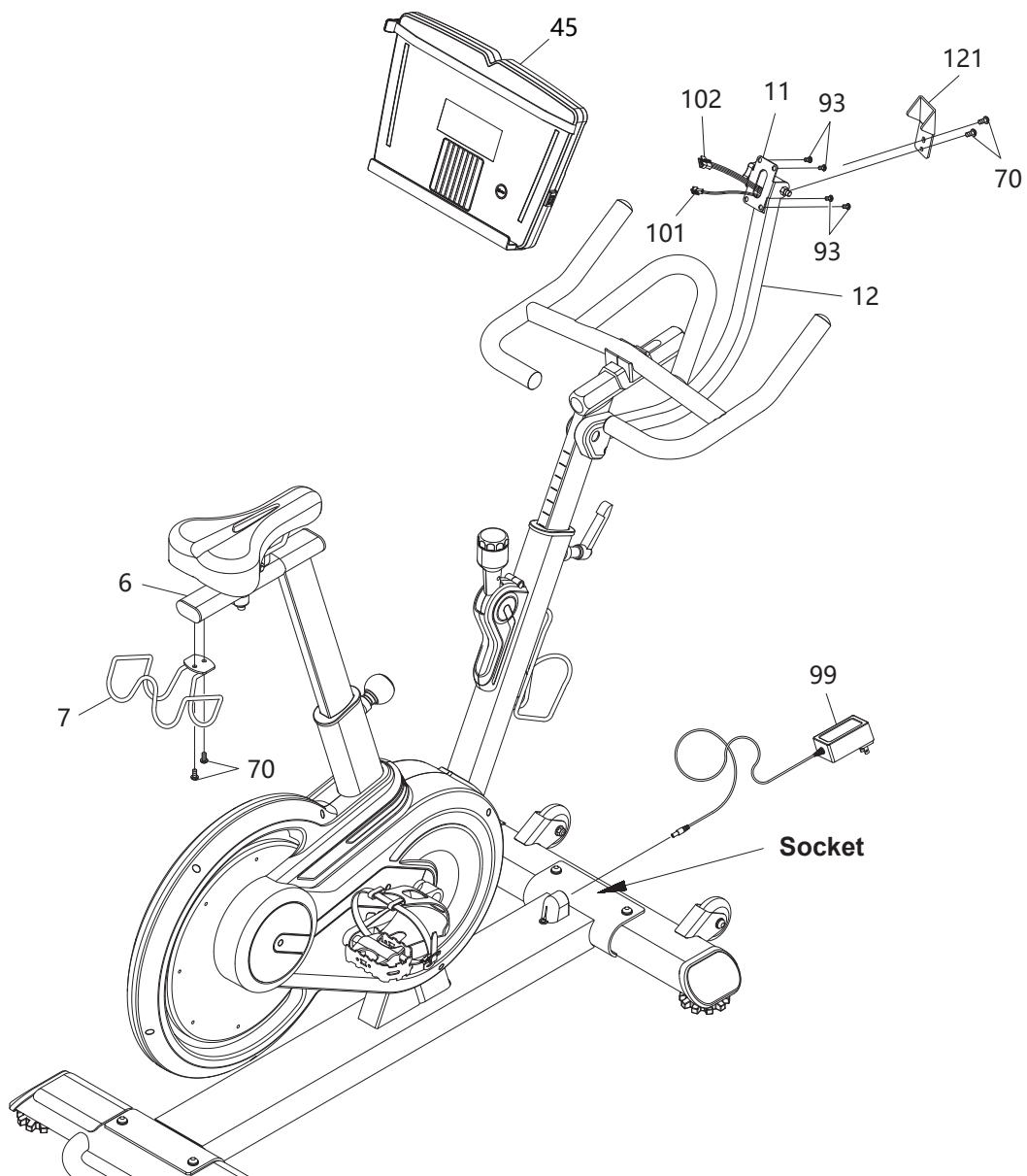
Plug the **EXTENSION CONTROL CABLE(102)** and the **EXTENSION WIRE(101)** into the back of the **SMART MOUNT(45)**. Attach the **SMART MOUNT(45)** to the **MOUNTING BRACKET(11)** with **ROUND HEAD SCREWS(M5x0.8x8mm)(93)**. Attach the **LIMIT BRACKET(121)** to the **MOUNTING POST(12)** with **BUTTON HEAD BOLTS(M6x1x12mm)(70)**.

STEP 11

Attach the **DUMBBELL RACK(7)** to the **SEAT POST(6)** with **BUTTON HEAD BOLTS(M6x1x12mm)(70)**.

STEP 12

Plug the **ADAPTER(99)** into the **SOCKET** located on the front of the bike. Plug the **ADAPTER(99)** into an electrical outlet.

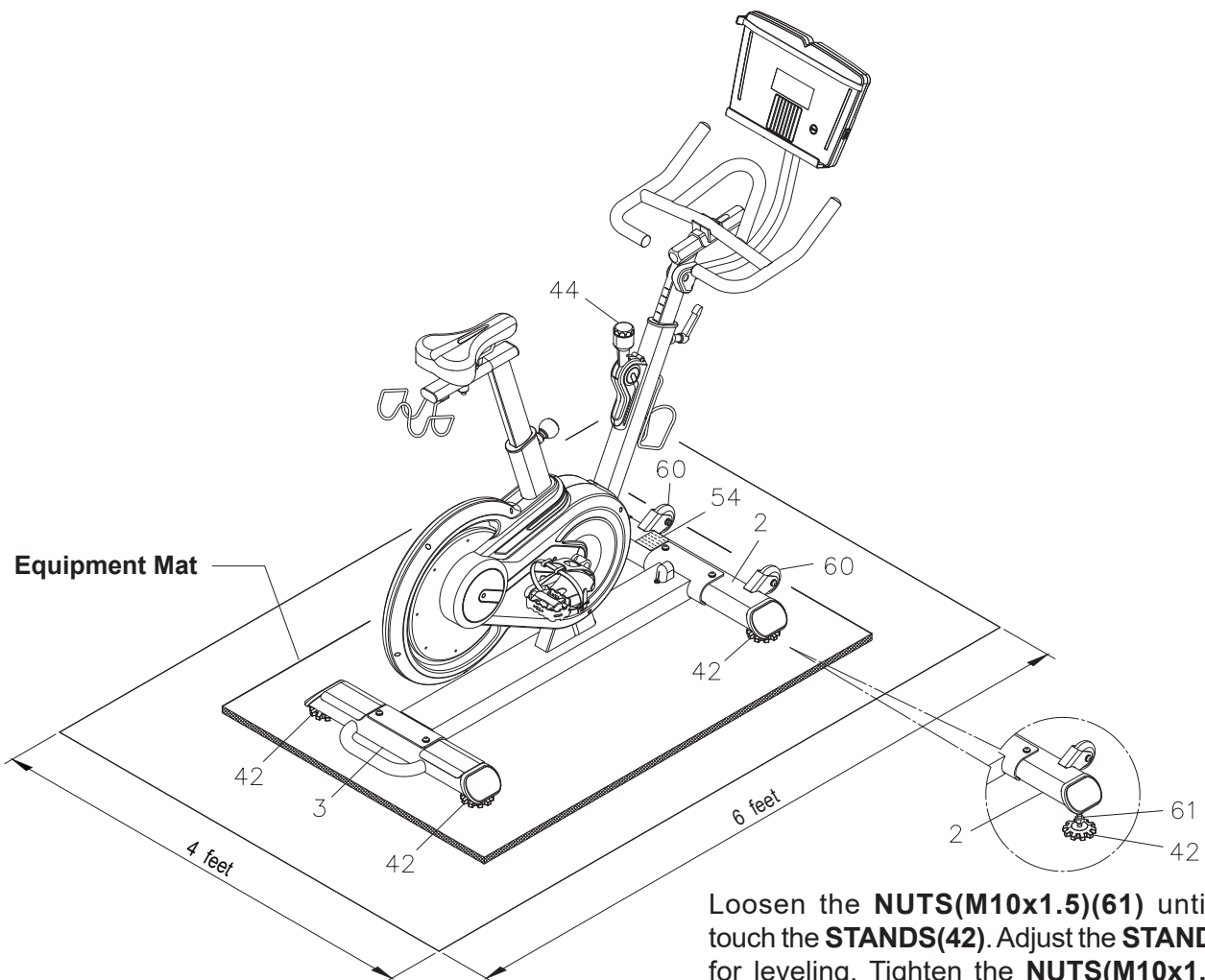


SET UP INSTRUCTIONS

Place the **müüv bike** in the area where it will be used. It is recommended that the **müüv bike** be placed on an equipment mat. The **müüv bike** is approximately 58.8 inches long (max.) x 21.9 inches wide x 55.1 inches tall (max.). An area 4 feet wide x 6 feet long is required for safe operation of the **müüv bike**. Make sure that adequate space is available for access to and passage around the **müüv bike**.

LEVELING: Adjust the **STANDS(42)** on the **STABILIZERS(2, 3)** so that the **müüv bike** sits on the floor without rocking.

MOVING: The **müüv bike** has a pair of **MOVING WHEELS(60)** on the **FRONT STABILIZER(2)**. Lift up from the handle on the **REAR STABILIZER(3)** to move the **müüv bike**.



Loosen the **NUTS(M10x1.5)(61)** until they touch the **STANDS(42)**. Adjust the **STANDS(42)** for leveling. Tighten the **NUTS(M10x1.5)(61)** securely against the **STABILIZERS(2, 3)** to lock the **STANDS(42)** in position.

FUNCTION INSPECTION:

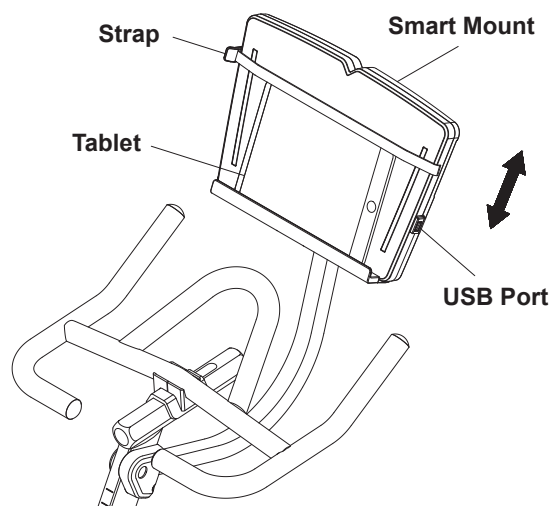
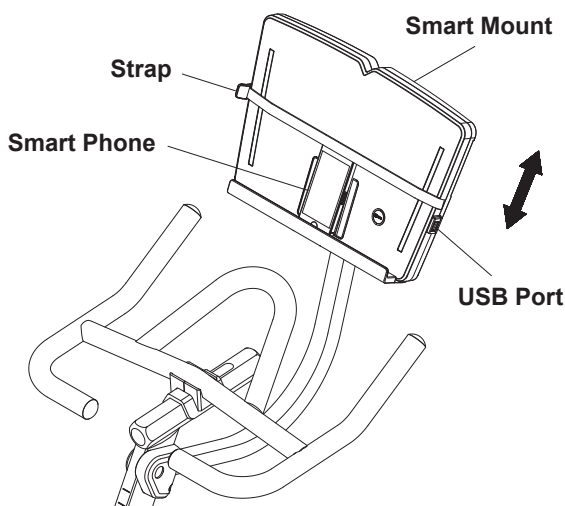
Visually inspect the **müüv bike** to verify that assembly is as shown in the above illustration. Check the function of the **müüv bike** by turning the cranks slowly through one complete revolution to verify that the drive train functions properly.

CAUTION: Locate and read the **CAUTION LABEL(54)** on the **müüv bike**. Make sure that all users read the **CAUTION LABEL(54)** before using the product.

OPERATIONAL INSTRUCTIONS

The Smart Mount uses LED light language to let you know what's going on in your workouts, what's going on in your friends' workouts, and to celebrate your accomplishments.

The **Smart Mount** is designed to work with smart phones and tablets. Refer to the illustrations below. Place your smart phone or tablet on the **Smart Mount** and secure with the **Strap**. The **Strap** can be moved up or down to fit with the size of your device. There is a USB port located at the right side of the **Smart Mount**. You can workout with the **Smart Mount** and charge your device at the same time.



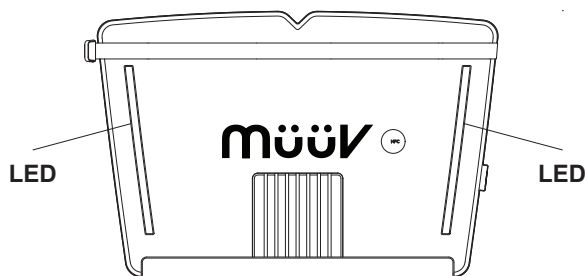
USING THE SMART MOUNT



müüv

Scan the QR Code to download the app.
See insert for details.

Enjoy ad-free music during workouts with



POWERING ON: Plug the **ADAPTER(99)** into the socket on the front of the bike. Plug the **ADAPTER(99)** into an electrical outlet. The **Smart Mount** will remind you with an audible alarm for two seconds when powering on.

OPERATION DESCRIPTIONS

NOTE: To fully operate your **müüv bike** you will need to download the free **müüv app**.

1. When powering on, place your device on the **Smart Mount**, the **müüv app** will display on your device. Then the app will pair your device and the **Smart Mount** automatically via Bluetooth. The **Smart Mount** will remind you with two beeps when it has successfully connected to your device, and the LED will light up in white when it has synced with the app.
2. The **Smart Mount** will work with the **müüv** application and many others. For more details and information, go visit <https://müüv.fit>.
3. If the Bluetooth disconnects, the **Smart Mount** will alert you with three beeps. The LED display will light up and cycle, fading in for two seconds and fading out for two seconds. The **Smart Mount** will automatically shut off after five minutes of inactivity.
4. During the shut down mode, you can wake up the **Smart Mount** by pedaling, or utilizing the NFC located inside the **Smart Mount** to launch the **müüv app**. The LED display will light up and cycle, fading in for two seconds and fading out for two seconds, ready for your next action.

OPERATIONAL INSTRUCTIONS

HEART RATE TRANSMITTER

The Bluetooth **HEART RATE TRANSMITTER(106)** is compatible with iPhone 4s or above, iPod Touch (5th or above generation), iPad (3rd or above generation). It is also compatible with Android 4.3 or above with Bluetooth smart support of smart phones and tablets.

To connect the **HEART RATE TRANSMITTER(106)** to your device:

1. Wear the **HEART RATE TRANSMITTER(106)** around your chest.
2. Open the **müüv app** on your device.
3. Go to the Bluetooth settings section of the **müüv app** and find the heart rate transmitter. When your heart rate transmitter is found, the ID should look like “**HR08_XXXXXX**“, tap connect.

NOTE: If the **HEART RATE TRANSMITTER(106)** does not attach to the **ELASTIC SENSOR STRAP (107)**. You still can connect it to your device, open the **müüv app** on your device. Go to the Bluetooth settings section of the **müüv app**, and place the **HEART RATE TRANSMITTER(106)** close to your device, within 100 cm (39.4 in.). Touch the two metal buttons on the back of the **HEART RATE TRANSMITTER(106)** with fingers to send a signal and help your device to find the **HEART RATE TRANSMITTER(106)**. When your heart rate transmitter is found, tap connect.

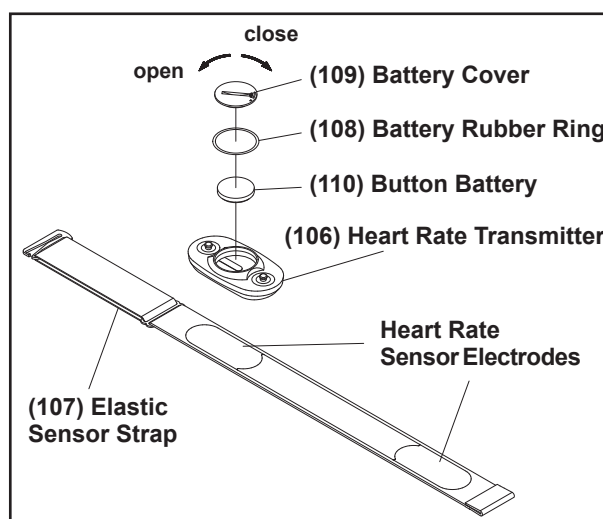
Using the Heart Rate Transmitter Chest Strap

The **HEART RATE TRANSMITTER(106)** worn around the chest is powered by a **BUTTON BATTERY (CR2032)(110)** located in the back of the **HEART RATE TRANSMITTER(106)**. Two electrodes on the **ELASTIC SENSOR STRAP(107)** monitor your heartbeat, and the adjustable **ELASTIC SENSOR STRAP(107)** holds the transmitter in place. The **HEART RATE TRANSMITTER(106)** picks up your heart rate information and displays it on the monitor of your device during the workout.

To assemble the **HEART RATE TRANSMITTER(106)**, insert the **BUTTON BATTERY (CR2032)(110)** as shown in the illustration. Place the **BATTERY RUBBER RING(108)** on the edge of the opening and place the **BATTERY COVER(109)** over the **BUTTON BATTERY (CR2032)(110)**. Using a coin or similar object, press down on the **BATTERY COVER(109)** and turn to securely close the cover.

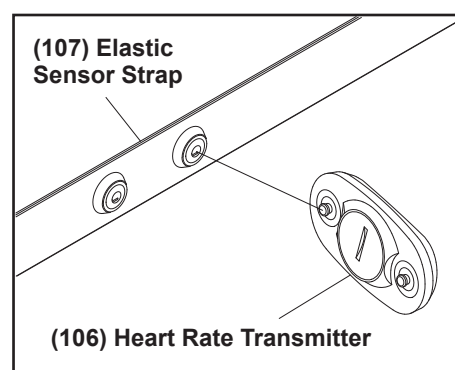
NOTE:

1. Make sure to close the **BATTERY COVER (109)** very tightly as illustrated to prevent sweat and moisture from damaging the battery.
2. The **HEART RATE TRANSMITTER(106)** is latex free and its material is appropriate for human contact.



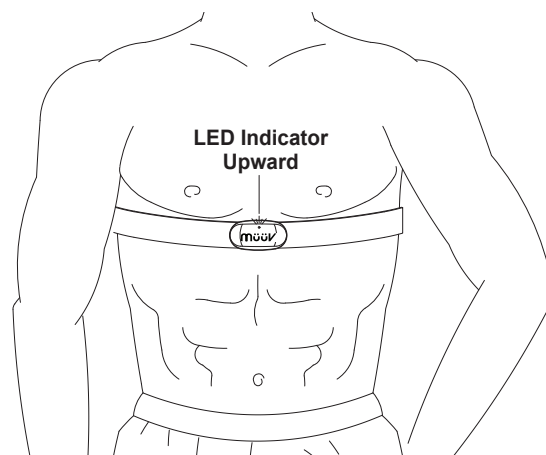
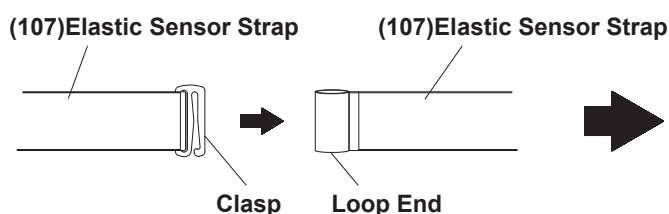
Refer to the illustration. Press the **HEART RATE TRANSMITTER(106)** onto the buttons on the **ELASTIC SENSOR STRAP(107)**.

NOTE: Before wearing the **HEART RATE TRANSMITTER(106)**, you can check the transmission status by pressing the heart sensor electrode areas with your fingers. If the red LED indicator on the **HEART RATE TRANSMITTER(106)** flashes, it indicates that it is in normal working condition.



OPERATIONAL INSTRUCTIONS

To wear the **HEART RATE TRANSMITTER(106)** around the chest, make the red LED indicator on the **HEART RATE TRANSMITTER(106)** upward. Attach the clasp end of the **ELASTIC SENSOR STRAP(107)** to the loop end of the **ELASTIC SENSOR STRAP(107)**, and adjust the **ELASTIC SENSOR STRAP(107)** to fit your chest snugly as shown in the illustration below. Apply water or conductive gel to moisten the heart rate sensor electrodes. These heart rate sensor electrodes must be wet and in contact with your chest skin to properly detect your heart rate.



The red LED indicator on the **HEART RATE TRANSMITTER(106)** will flash when detected active pulse. Automatically shut off after five minutes of inactivity.

OPERATION DESCRIPTIONS

1. If your heart rate is inconsistent or not tracking on your workout monitor, do the following:
 - The **HEART RATE TRANSMITTER(106)** will connect to your device while using the unit and within 10 feet of close proximity to your device. If you are too far from your device the connection will be lost.
 - Moisten the heart rate sensor electrodes on the back of the **ELASTIC SENSOR STRAP(107)** and make sure they are in contact with the skin. Your skin may be dry when you begin your workout and the moisture is necessary to ensure contact. As you sweat, contact will improve.
 - Tighten the elastic strap so it remains in place as you exercise. Movement of the heart rate sensor electrodes will result in inaccurate or erratic signal and readings.
 - Body hair affects the detection and transmission of heart rate signals. If necessary, trim or shave chest hair so that the heart rate sensor electrodes touch the skin.
 - Clean the heart rate sensor electrodes as dirt can interfere with transmission. Use a mild soap and water and dry with a soft towel.
2. Always make sure to pair the **HEART RATE TRANSMITTER(106)** with your device in the **müüv app** via Bluetooth. If the **HEART RATE TRANSMITTER(106)** has been paired with your device, not in the **müüv app**, please remove the pairing from your device, then redo the pairing in the **müüv app**.
3. Avoid using the **HEART RATE TRANSMITTER(106)** at temperatures below -10°C (14°F), as this will slow down the display of heart rate readings.
4. The **HEART RATE TRANSMITTER(106)** is not a medical device, nor intended for medical diagnostic purposes. Maintaining a consistent signal can be difficult due to the moving during riding the bike. The pulse function is a great tool to optimize your workout, but should be used as a reference only.

Transmitter Care and Maintenance

- Wash regularly with mild soap and water solution and dry with a soft towel being careful not to scratch the heart rate sensor electrodes.
- Store in a cool, dry place. Make sure the heart rate sensor electrodes aren't stored with any wet material and never store a wet transmitter in non-breathable material like a plastic bag or sports bag.
- Do not stretch the heart rate sensor electrodes.

NOTE: The frequency of the Bluetooth **HEART RATE TRANSMITTER(106)** is 2.4 GHz. All compatible heart rate transmitters from other companies will work with the **SMART MOUNT(45)**.

OPERATIONAL INSTRUCTIONS



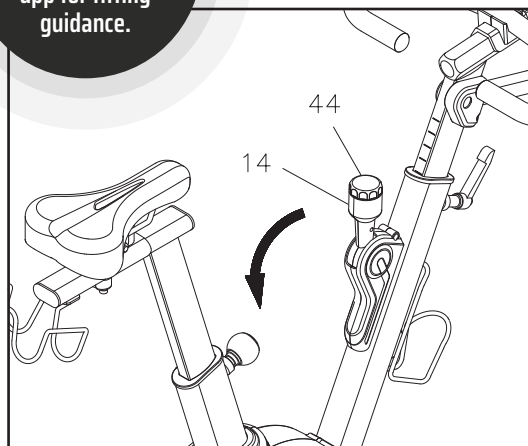
Install the müüv app for fitting guidance.

LOAD ADJUSTMENT

Power on the **SMART MOUNT(45)**. To increase the load, turn the **TENSION KNOB(44)** clockwise. To decrease the load, turn the **TENSION KNOB(44)** counterclockwise.

CAUTION!

When you want to slow down the pedal speed, gradually pull down the **BREAK HANDLE(14)**.

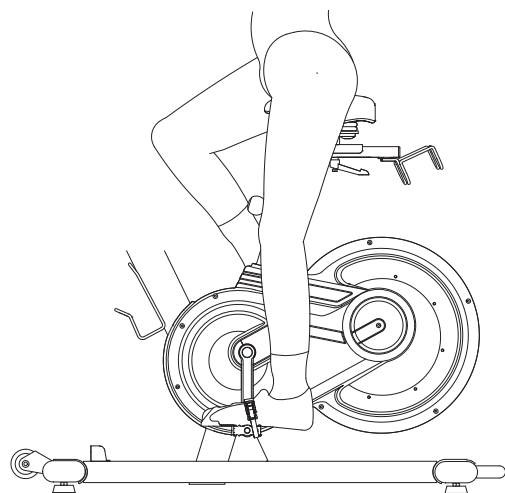
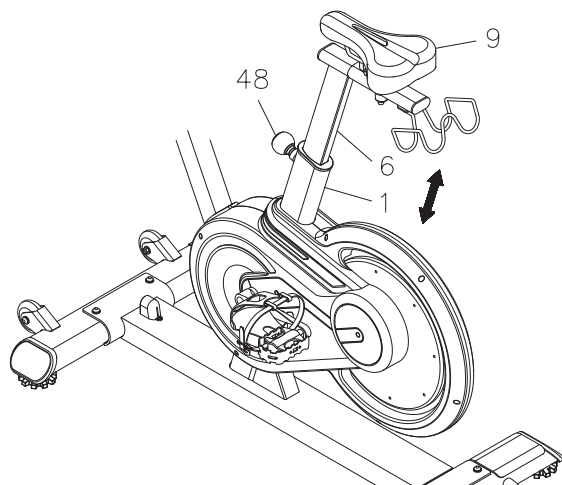


SEAT HEIGHT ADJUSTMENT

Proper seat height is important for efficient exercise. To determine proper seat height, place your foot in the toe cage of the pedal closest to the floor and mount the bike. Sit on the bike and move one of the pedals to the down position. Your leg should be slightly bent and relaxed as shown.

If your leg is too straight or if your foot cannot touch the pedal when extended at the downstroke, you will need to lower the seat. If your leg is bent too much, you will need to raise the seat. Loosen and pull the **ADJUSTMENT KNOB(48)**, then lower or raise the **SEAT(9)** to the desired height, and secure with the **ADJUSTMENT KNOB(48)**. Make all adjustments to seat height while off of the bike.

NOTE: The pin of the **ADJUSTMENT KNOB(48)** must be inserted into one of the adjustment holes in the **SEAT POST(6)**, and the **ADJUSTMENT KNOB(48)** must be screwed in tight to ensure that the **SEAT POST(6)** will fit securely in the **MAIN FRAME(1)**.

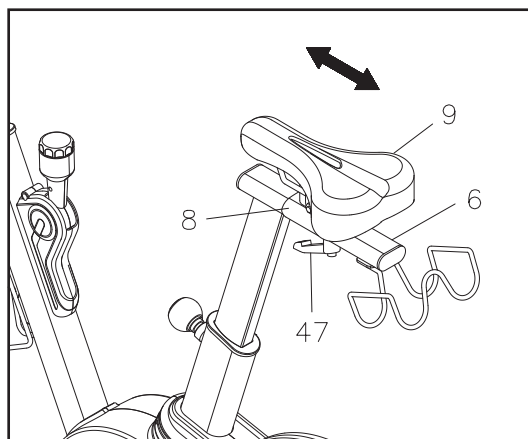


FORWARD/AFT POSITION OF SEAT

Adjusting the **SEAT(9)** forward or backward helps you work on different lower body muscle groups.

Loosen the **SEAT LOCKING LEVER(47)**, slide the **SEAT(9)** to the desired position, and secure with the **SEAT LOCKING LEVER(47)**.

NOTE: The **SEAT LOCKING LEVER(47)** should be screwed in tight to make the **SEAT SLIDER(8)** fit securely in the **SEAT POST(6)**.



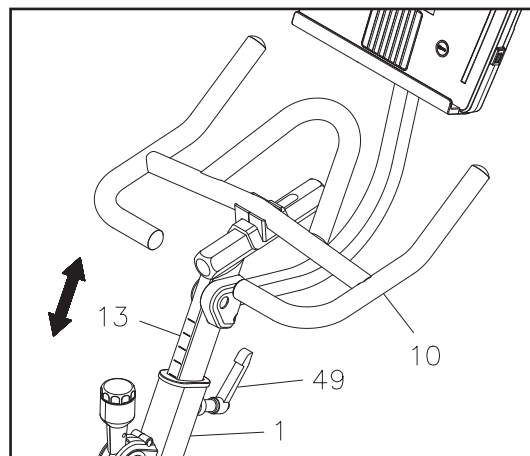
OPERATIONAL INSTRUCTIONS

HANDLEBAR HEIGHT ADJUSTMENT

HANDLEBAR(10) height is a matter of preference. Start with the **HANDLEBAR(10)** at the same height as the seat. Adjusting the **HANDLEBAR(10)** higher will give the rider a more upright position; lowering the **HANDLEBAR(10)** will result in a more prone position.

To adjust, loosen and pull the **UPRIGHT LOCKING LEVER(49)**, then lower or raise the **HANDLEBAR(10)** to the desired height, and secure with the **UPRIGHT LOCKING LEVER(49)**.

NOTE: The pin of the **UPRIGHT LOCKING LEVER(49)** must be inserted into one of the adjustment holes in the **HANDLEBAR POST(13)** and the **UPRIGHT LOCKING LEVER(49)** must be screwed in tight to ensure that the **HANDLEBAR(10)** will fit securely in the **MAIN FRAME(1)**.

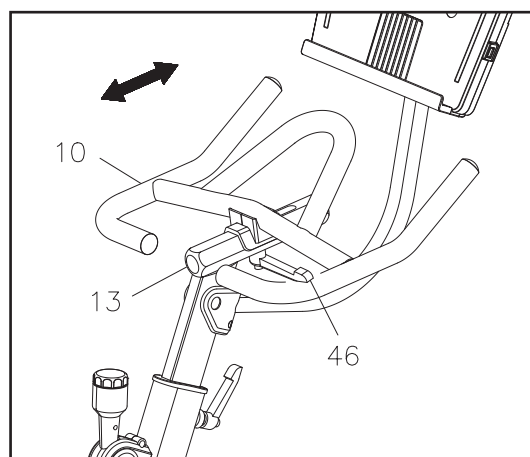


FORWARD/AFT POSITION OF HANDLEBAR

Adjusting the **HANDLEBAR(10)** forward or backward helps you find a comfortable position for your workout.

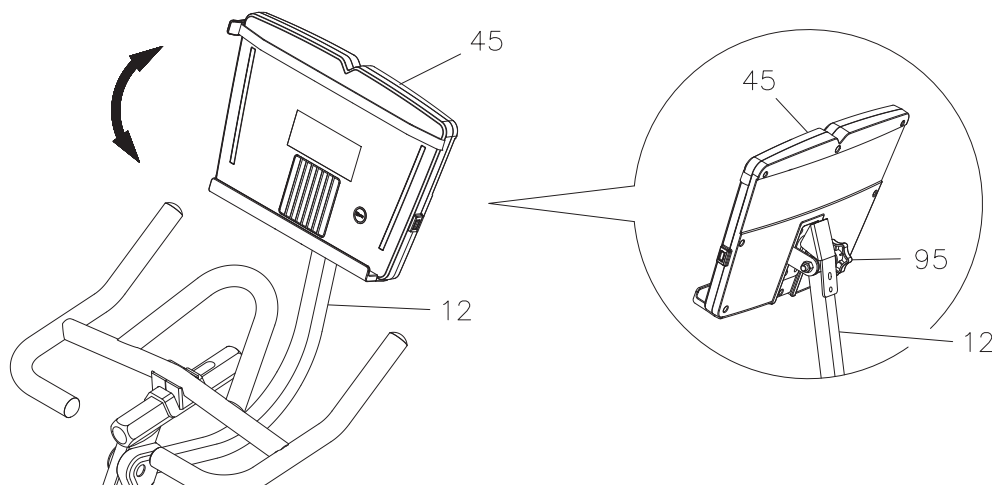
Loosen the **HANDLEBAR LOCKING LEVER(46)**, slide the **HANDLEBAR(10)** to the desired position, and secure with the **HANDLEBAR LOCKING LEVER(46)**.

NOTE: The **HANDLEBAR LOCKING LEVER(46)** should be screwed in tight to make the **HANDLEBAR(10)** fit securely in the **HANDLEBAR POST(13)**.



SMART MOUNT ANGLE ADJUSTMENT

Adjusting the angle of the **SMART MOUNT(45)** helps you view the screen on your device properly. Refer to the detail view below. To adjust, loosen the **LOCKING KNOB(95)** at the back of the **SMART MOUNT(45)**. Adjust the **SMART MOUNT(45)** to the desired angle and secure with the **LOCKING KNOB(95)**.

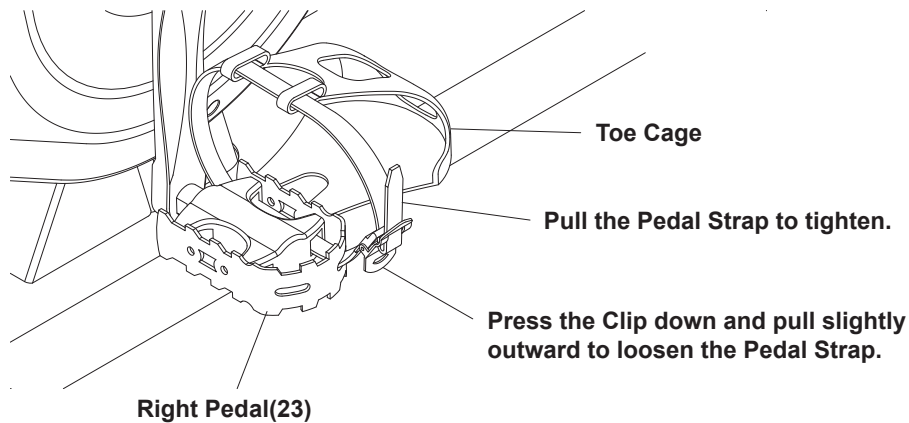


OPERATIONAL INSTRUCTIONS

PEDAL STRAP ADJUSTMENT

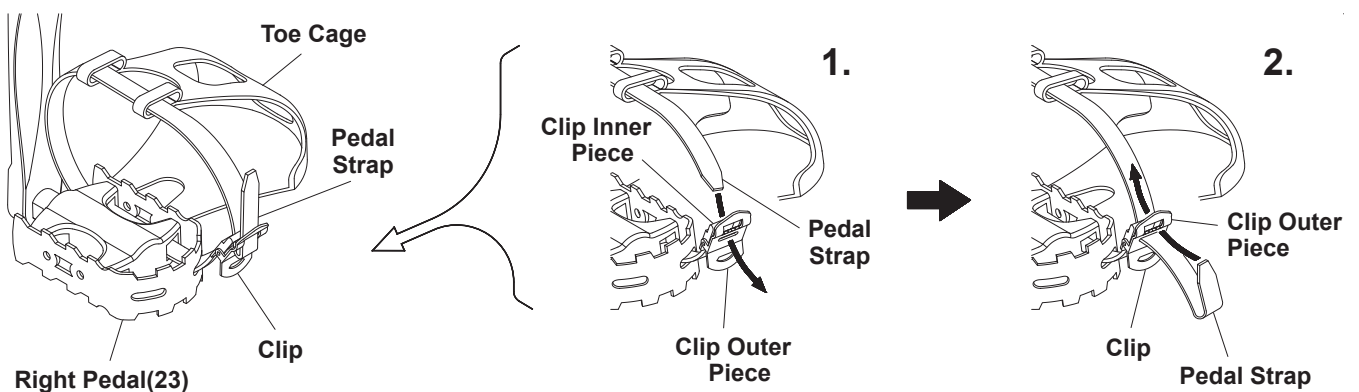
Use the following procedure to adjust the **PEDAL STRAP**:

1. Place the ball of each foot on the pedal and in the Toe Cage such that the ball of the foot is centered over the pedal spindle and under the Pedal Strap.
2. Rotate the cranks until one foot is in a position closest to you.
3. To tighten the Pedal Strap, pull up on the end of the strap until it fits snugly over your shoe. Make sure that the strap is secure, but not overly tight or pressing uncomfortably on your foot.
4. Repeat for the other foot.
5. To loosen the Pedal Strap, press down on the Clip that holds the strap secure, and pull slightly outward. Release the Clip to lock the strap into place.



If the Pedal Strap break away from the Clip, follow the process below to thread it back to the Clip:

1. Refer to view 1. Run the Pedal Strap through the slot holes in the Clip Inner Piece and Clip Outer Piece.
2. Refer to view 2. Press the Clip down and run the Pedal Strap through the slot hole in the Clip Outer Piece on the top.



STORAGE

1. To store the **müüv bike**, simply keep it in a clean dry place.
2. Adjust the **HANDLEBAR POST(13)** and the **SEAT POST(6)** to the lowest position. Adjust the **SEAT SLIDER(8)** to the most forward position. The **müüv bike** is approximately 56 inches long (min.) x 21.9 inches wide x 49.4 inches tall (min.). These dimensions will vary. Please measure your **müüv bike** if exact dimensions are needed.
3. To move the **müüv bike**, lift from the handle on the **REAR STABILIZER(3)** and use the **MOVING WHEELS(60)** on the **FRONT STABILIZER(2)**.

MAINTENANCE

The safety and integrity designed into the **müüv bike** can only be maintained when the **müüv bike** is regularly examined for damage and wear. Special attention should be given to the following:

1. Power on the **SMART MOUNT(45)**. Adjust the **TENSION KNOB(44)** and verify that it functions properly and the resistance changes.
2. Use a wrench to verify that the **PEDALS(17, 23)** are tightened securely. If tightening is required, remember that the left pedal has left hand threads and is tightened by turning counterclockwise.
3. Verify that all nuts and bolts are present and properly tightened. Replace missing nuts and bolts. Tighten loose nuts and bolts.
4. Verify that the **CAUTION LABEL(54)** is in place and easy to read. Call Stamina Products immediately at **1-800-375-7520** for a replacement **CAUTION LABEL(54)** if it is missing or damaged.
5. It is the sole responsibility of the user/owner to ensure that regular maintenance is performed.
6. Worn or damaged components must be replaced immediately or the **müüv bike** removed from service until repair is made.
7. Only Stamina Products supplied components should be used to maintain/repair the **müüv bike**.
8. Keep your **müüv bike** clean by wiping it off with an absorbent cloth after use.

CONDITIONING GUIDELINES



Install the müüv app
for personalized workouts
based on your fitness
level.

How you begin your exercise program depends on your physical condition. If you have been inactive for several years or are severely overweight, start slowly and increase your workout time gradually. Increase your workout intensity gradually by monitoring your heart rate while you exercise.

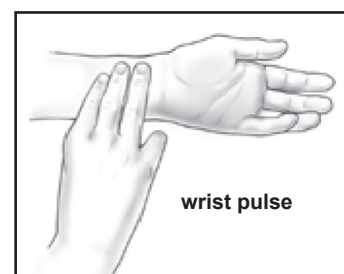
Remember to follow these essentials:

- Have your doctor review your training and diet programs.
- Begin your training program slowly with realistic goals that have been set by you and your physician.
- Warm up before you exercise and cool down after you work out.
- Take your pulse periodically during your workout and strive to stay within a range of 60% (lower intensity) to 90% (higher intensity) of your maximum heart rate zone. Start at the lower intensity, and build up to higher intensity as you become more aerobically fit.
- If you feel dizzy or lightheaded you should slow down or stop exercising.

Initially you may only be able to exercise within your target zone for a few minutes; however, your aerobic capacity will improve over the next six to eight weeks. It is important to pace yourself while you exercise so you don't tire too quickly.

To determine if you are working out at the correct intensity, use a heart rate monitor or use the table below. For effective aerobic exercise, your heart rate should be maintained at a level between 60% and 90% of your maximum heart rate. If just starting an exercise program, work out at the low end of your target heart rate zone. As your aerobic capacity improves, gradually increase the intensity of your workout by increasing your heart rate.

Measure your heart rate periodically during your workout by stopping the exercise but continuing to move your legs or walk around. Place two or three fingers on your wrist and take a six second heartbeat count. Multiply the results by ten to find your heart rate. For example, if your six second heartbeat count is 14, your heart rate is 140 beats per minute. A six second count is used because your heart rate will drop rapidly when you stop exercising. Adjust the intensity of your exercise until your heart rate is at the proper level.



Target Heart Rate Zone Estimated by Age*

Age	Target Heart Rate Zone (55%-90% of Maximum Heart Rate)	Average Maximum Heart Rate 100%
20 years	110-180 beats per minute	200 beats per minute
25 years	107-175 beats per minute	195 beats per minute
30 years	105-171 beats per minute	190 beats per minute
35 years	102-166 beats per minute	185 beats per minute
40 years	99-162 beats per minute	180 beats per minute
45 years	97-157 beats per minute	175 beats per minute
50 years	94-153 beats per minute	170 beats per minute
55 years	91-148 beats per minute	165 beats per minute
60 years	88-144 beats per minute	160 beats per minute
65 years	85-139 beats per minute	155 beats per minute
70 years	83-135 beats per minute	150 beats per minute

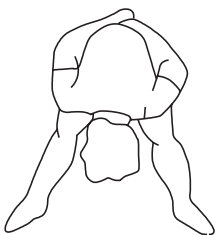
* For cardiorespiratory training benefits, the American College of Sports Medicine recommends working out within a heart rate range of 55% to 90% of maximum heart rate. To predict the maximum heart rate, the following formula was used: $220 - \text{Age} = \text{predicted maximum heart rate}$

WARM-UP and COOL-DOWN

Warm-Up The purpose of warming up is to prepare your body for exercise and to minimize injuries. Warm up for two to five minutes before strength training or aerobic exercising. Perform activities that raise your heart rate and warm the working muscles. Activities may include brisk walking, jogging, jumping jacks, jump rope, and running in place.

Stretching Stretching while your muscles are warm after a proper warm-up and again after your strength or aerobic training session is very important. Muscles stretch more easily at these times because of their elevated temperature, which greatly reduces the risk of injury. Stretches should be held for 15 to 30 seconds. Do not bounce.

Suggested Stretching Exercises



Lower Body Stretch

Place feet shoulder-width apart and lean forward. Keep this position for 30 seconds using the body as a natural weight to stretch the backs of the legs.

DO NOT BOUNCE!

When the pull on the back of the legs lessens, gradually try a lower position.

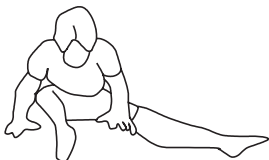


Floor Stretch

While sitting on the floor, open the legs as wide as possible. Stretch the upper body toward the knee on the right leg by using your arms to pull your chest to your thighs. Hold this stretch 10 to 30 seconds.

DO NOT BOUNCE!

Do this stretch 10 times. Repeat the stretch with the left leg.



Bent Torso Pulls

While sitting on the floor, have legs apart, one leg straight and one knee bent. Pull the chest down to touch the thigh on the leg that is bent, and twist at the waist. Hold this position at least 10 seconds. Repeat 10 times on each side.



Bent Over Leg Stretch

Stand with feet shoulder-width apart and lean forward as illustrated. Using the arms, **gently** pull the upper body towards the right leg. Let the head hang down. **DO NOT BOUNCE!**

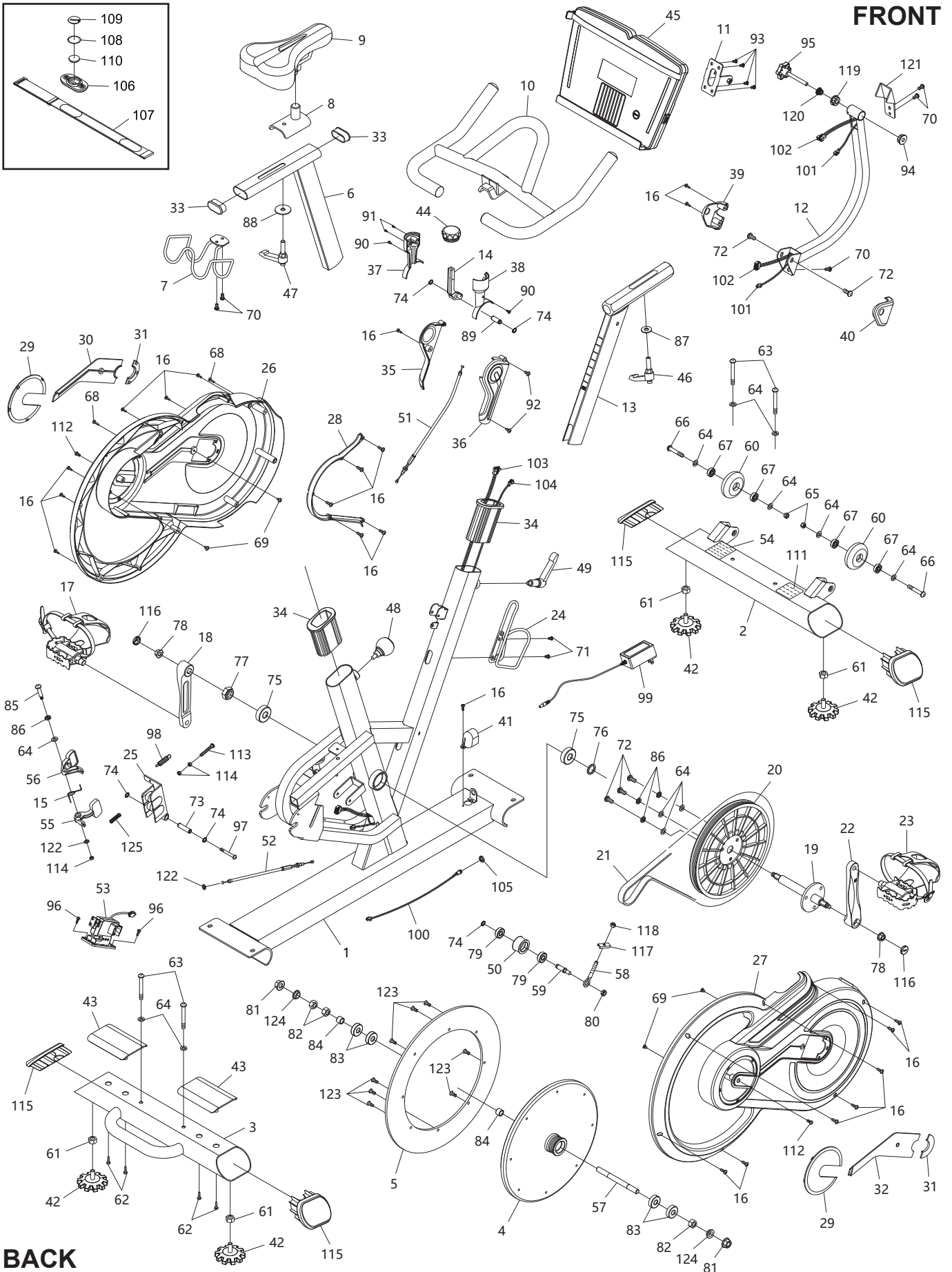
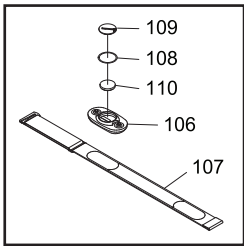
Hold the position a minimum of 10 seconds. Repeat pulling the upper body to the left leg. Do this stretch several times slowly.

Remember to always check with your physician before starting any exercise program.

Cool-Down The purpose of cooling down is to return the body to its normal, or near normal, resting state at the end of each exercise session. A proper cool-down slowly lowers your heart rate and allows blood to return to the heart. Your cool-down should include the stretches listed above and should be completed after each strength training session.

PRODUCT PARTS DRAWING

FRONT



BACK

PARTS LIST

PART#	PART NAME	QTY
1	Main Frame	1
2	Front Stabilizer	1
3	Rear Stabilizer	1
4	Flywheel (12kg)	1
5	Magnetic Ring	1
6	Seat Post	1
7	Dumbbell Rack	1
8	Seat Slider	1
9	Seat	1
10	Handlebar	1
11	Mounting Bracket	1
12	Mounting Post	1
13	Handlebar Post	1
14	Brake Handle	1
15	Torsion Spring	1
16	Screw, Round Head (ST4.2 x 16mm)	22
17	Left Pedal	1
18	Left Crank	1
19	Pulley Shaft	1
20	Pulley	1
21	V-Ribbed Belt (1180-5PK)	1
22	Right Crank	1
23	Right Pedal	1
24	Water Bottle Holder	1
25	Magnetic Brake	1
26	Left Cover	1
27	Right Cover	1
28	Support Strap	1
29	Round Cover	2
30	Left Decoration Cover	1
31	Semicircle Decoration Cover	2
32	Right Decoration Cover	1
33	Oval Plug (25mm x 50mm)	2
34	Sleeve	2
35	Brake Left Cover	1
36	Brake Right Cover	1
37	Handle Left Cover	1
38	Handle Right Cover	1
39	Left Mounting Cover	1
40	Right Mounting Cover	1
41	Power Socket Cover	1
42	Stand	4
43	Foot Plate	2
44	Tension Knob	1
45	Smart Mount	1
46	Handlebar Locking Lever	1
47	Seat Locking Lever	1
48	Adjustment Knob	1

PARTS LIST

PART#	PART NAME	QTY
49	Upright Locking Lever	1
50	Idler Wheel	1
51	Brake Cable	1
52	Tension Cable	1
53	Control Motor	1
54	Warning Label	1
55	Right Support	1
56	Left Support	1
57	Flywheel Axle	1
58	Eyebolt (M8 X 1.25 X 60MM)	1
59	Idler Wheel Axle (ø25 x 50.5mm)	1
60	Moving Wheel	2
61	Nut (M10 x 1.5)	4
62	Screw, Round Head (ST4.2 x 25mm)	4
63	Bolt, Button Head (M8 x 1.25 x 65mm)	4
64	Washer (M8)	12
65	Nylock Nut (M8 x 1.25)	2
66	Bolt, Button Head (M8 x 1.25 x 45mm)	2
67	Bearing (608ZZ)	4
68	Screw, Round Head (ST4.2 x 19mm)	2
69	Screw, Round Head (ST4 x 8mm)	4
70	Bolt, Button Head (M6 x 1 x 12mm)	5
71	Screw, Large Round Head (M5 x 0.8 x 8mm)	2
72	Bolt, Button Head (M8 x 1.25 x 15mm)	5
73	Magnetic Brake Shaft	1
74	C Ring (S10mm)	5
75	Bearing (6004ZZ)	2
76	Pulley Spacer (ø20.2 x ø27 x 2.5mm)	1
77	Shoulder Nut (M20 x 1.5 x 9mm)	1
78	Flange Nut (M10 x 1.25)	2
79	Bearing (6000ZZ)	2
80	Thin Nylock Nut (M8 x 1.25 x 6.5mm)	1
81	Flange Nut (M12 x 1.5)	2
82	Nut (M12 x 1.5 x 6.5mm)	3
83	Bearing (6201ZZ)	4
84	Flywheel Spacer (ø12.2 x ø16 x 20mm)	2
85	Shoulder Bolt (ø8 x 32.5mm, M6 x 1 x 12mm)	1
86	Lock Washer (M8)	4
87	Washer (M10 x ø25 x 2mm thick)	1
88	Washer (M10 x ø38 x 2mm thick)	1
89	Handle Shaft (ø6.1 x ø10 x 20mm)	1
90	Screw, Round Head (M3 x 6mm)	2
91	Screw, Round Head (ST2.3 x 12mm)	2
92	Screw, Round Head (ST4 x 10mm)	2
93	Screw, Round Head (M5 x 0.8 x 8mm)	4
94	Bushing	1
95	Locking Knob	1
96	Screw, Round Head (M4 x 0.7 x 12mm)	2

PARTS LIST

PART#	PART NAME	QTY
97	Bolt, Button Head (M6 x 1 x 45mm)	1
98	Spring	1
99	Adapter, Output 12V, 2A	1
100	Power Wire (850mm long)	1
101	Extension Wire (3P, 500mm long)	1
102	Extension Control Cable (9P, 500mm long)	1
103	Control Cable (9P, 1200mm long)	1
104	Connecting Wire (3P, 900mm long)	1
105	Plug Nut	1
106	Heart Rate Transmitter	1
107	Elastic Sensor Strap	1
108	Battery Rubber Ring	1
109	Battery Cover	1
110	Button Battery (CR2032)	1
111	Serial Decal	1
112	Screw, Round Head (M5 x 0.8 x 10mm)	2
113	Bolt, Button Head (M6 x 1 x 50mm)	1
114	Nut (M6 x 1)	3
115	Oval Plug (50mm x 100mm)	4
116	Crank Cap	2
117	Tension Bracket	1
118	Nut (M8 x 1.25)	1
119	Outer Bushing	1
120	Inner Bushing	1
121	Limit Bracket	1
122	Washer (M6)	2
123	Bolt, Flat Head (M6 x 1 x 12mm)	8
124	Flywheel Bushing (ø22 x ø17 x 6.6mm)	2
125	Compression Spring	1
126	Allen Wrench (4mm)	1
127	Allen Wrench (5mm)	1
128	Combination Wrench	2
129	Manual	1

LIMITED WARRANTY

MODEL 15-8100

WARRANTY

Stamina Products, Inc. ("Stamina") warrants to the original purchaser that this product will be free from defects in materials and workmanship that arise under normal use, service, proper assembly and proper operation in accordance with product warnings/instructions for a period of 90 days on the parts and five years on the frame from the date of the original purchase from an authorized retailer. **THIS WARRANTY SHALL NOT APPLY TO ANY PRODUCT WHICH HAS BEEN SUBJECT TO COMMERCIAL USE, ABUSE, MISUSE, ALTERATION OF ANY KIND OR TO ANY DEFECT OR CHANGE CAUSED BY IMPROPER ASSEMBLY, REPAIR, REPLACEMENT, SUBSTITUTION OR USE WITH PARTS NOT PROVIDED BY STAMINA.** Commercial use includes use of product in athletic clubs, health clubs, spas, gyms, and all other public or semipublic facilities whether or not the product's use is in furtherance of a profit making enterprise, and all other use which is not for personal purposes.

To implement this limited warranty, send a written notice stating your name, date, and place of purchase and a brief description of the defect along with your receipt to Stamina Products, Inc. 2040 N Alliance Ave, Springfield, Missouri, USA, MO 65803, or email us at customer.care@staminaproducts.com, or call us at 1-800-375-7520. If the defect is covered under this limited warranty, you will be requested to return the product or part to us for free repair or replacement at our option.

NO ACTION FOR BREACH OF THIS LIMITED WARRANTY MAY BE COMMENCED MORE THAN ONE (1) YEAR AFTER THE DATE THE ALLEGED BREACH WAS OR SHOULD HAVE BEEN DISCOVERED. NO ACTION FOR BREACH OF ANY IMPLIED WARRANTY (INCLUDING MERCHANTABILITY AND FITNESS FOR A PARTICULAR PURPOSE) MAY BE COMMENCED MORE THAN ONE (1) YEAR AFTER DELIVERY OF THE PRODUCT TO THE PURCHASER. These warranties are not transferable. **IF ANY PART OF THE PRODUCT IS NOT IN COMPLIANCE WITH THIS LIMITED WARRANTY OR ANY IMPLIED WARRANTY, THE REMEDY OF REPAIR OR REPLACEMENT IS THE EXCLUSIVE REMEDY.** If any claim is made under this limited warranty or any implied warranty, Stamina reserves the right to require the product to be returned for inspection, at the purchaser's expense, to Stamina's premises in Springfield, Missouri. Return of the enclosed warranty registration card is not required for warranty coverage, but is merely a way of establishing the date and place of purchase.

Stamina **SHALL NOT BE LIABLE FOR THE LOSS OF USE OF ANY PRODUCT, LOSS OF TIME, INCONVENIENCE, COMMERCIAL LOSS OR ANY OTHER INDIRECT, CONSEQUENTIAL, SPECIAL OR INCIDENTAL DAMAGES DUE TO BREACH OF THE ABOVE WARRANTY OR ANY IMPLIED WARRANTY.**

THIS LIMITED WARRANTY IS THE ONLY EXPRESS WARRANTY. NO ORAL OR WRITTEN INFORMATION GIVEN BY STAMINA, ITS AGENTS OR EMPLOYEES, SHALL CREATE A WARRANTY OR IN ANY WAY INCREASE THE SCOPE OF THIS WARRANTY. This warranty gives you specific legal rights, and you may also have other legal rights which vary from state to state. **ANY OTHER RIGHT WHICH YOU MAY HAVE, INCLUDING ANY IMPLIED WARRANTY OF MERCHANTABILITY OR FITNESS FOR A PARTICULAR PURPOSE, IS LIMITED IN DURATION TO THE DURATION OF THIS WARRANTY.**

The laws in some states affect the disclaimer or limitation of implied warranties and consequential and incidental damages. If any such law is found applicable, the foregoing disclaimers and limitations of and on implied warranties and consequential and incidental damages shall be deemed to be modified to the extent necessary to comply with applicable law.

NOTES

TO CONTACT CUSTOMER CARE

For your convenience, Stamina's customer care representatives can be reached by email at customer.care@staminaproducts.com or by phone at 1-800-375-7520 (in the U.S.). Our customer care representatives are available Monday through Thursday from 7:30 a.m. until 5:00 p.m., and Friday 8:00 a.m. until 3 p.m. Central Time.



**ONLINE
CUSTOMER CARE**
customer.care@staminaproducts.com
www.staminaproducts.com



**TELEPHONE
CUSTOMER CARE**
Tel: 1 (800) 375-7520



**FAX
CUSTOMER CARE**
Fax: (417) 889-8064



MAIL
STAMINA PRODUCTS, INC.
ATTN: Customer Care
2040 N Alliance Ave, Springfield, MO 65803

Would you like to receive email information or special offers from Stamina Products? Register at contact.staminaproducts.com

TO REGISTER YOUR PRODUCT

To enact your warranty, please register your product by going to register.staminaproducts.com. Please have your product model number (printed on the cover of this owner's manual) and the serial number (printed on the black and white sticker on your product) ready.

If you don't have internet access, you can call customer care at 1-800-375-7520, or fill out and mail the product registration form below to Stamina Products, Inc.; 2040 N Alliance Ave, Springfield, MO 65803.

PRODUCT REGISTRATION FORM		Stamina Products, Inc. 2040 N Alliance Ave, Springfield, MO 65803	
Model Number:		Serial Number:	
Product Name:			
Place Purchased:			
Date of Purchase:		Purchase Price:	
First Name:		Last Name:	
City:	State:	Phone #: ()	Zip Code:
Email Address:		Phone #: ()	
Would you like to receive email information or special offers from Stamina Products?* <input type="checkbox"/> Yes <input type="checkbox"/> No *If yes, be sure your email address is included above.			



Detach and Mail or Fax the Form Above



TO ORDER PARTS

If there are missing or damaged parts, you can go to parts.staminaproducts.com and order those parts. If you have questions, please contact customer care. Do not return the product. To order parts by mail, fill out the sheet below and fax it to 417-889-8064. The part will be mailed to your address.



Detach and Mail or Fax the Form Below



PARTS ORDER FORM		Stamina Products, Inc. 2040 N Alliance Ave, Springfield, MO 65803	
Mr./Ms:			
Address:		Apt. #:	
City:	State:	Zip Code:	
IMPORTANT : We require your phone number to process the order!			
Phone #: ()		Work Phone #: ()	
Date of Purchase:			
Model #:			
Purchased From:			

**IMPORTANT: Before filling out the portion below, make sure you have the correct information.
Refer to the parts list to make sure you're ordering the right parts!**

PART #	DESCRIPTION	QUANTITY
EXAMPLE: 1	Rear Unit Assembly	1