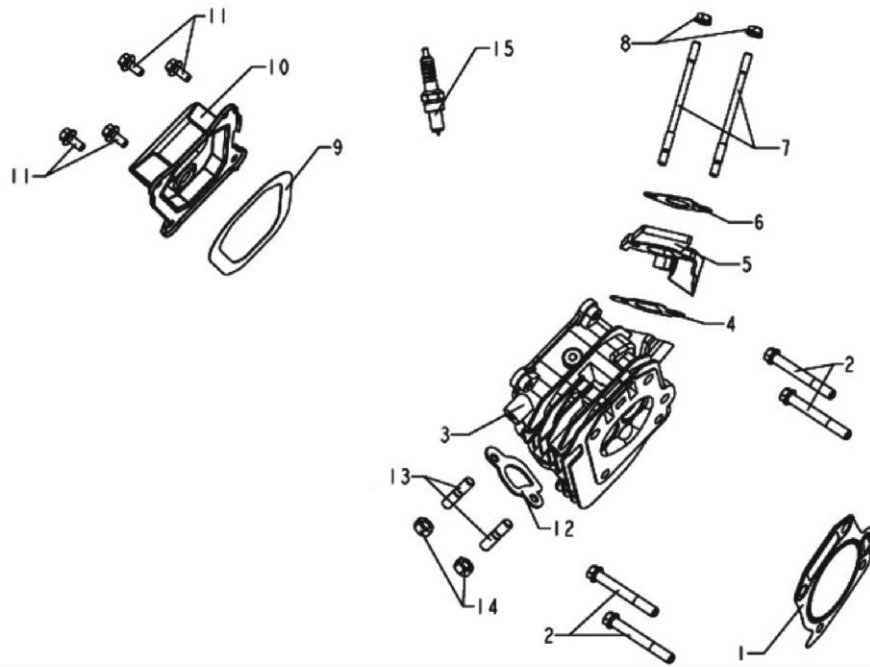
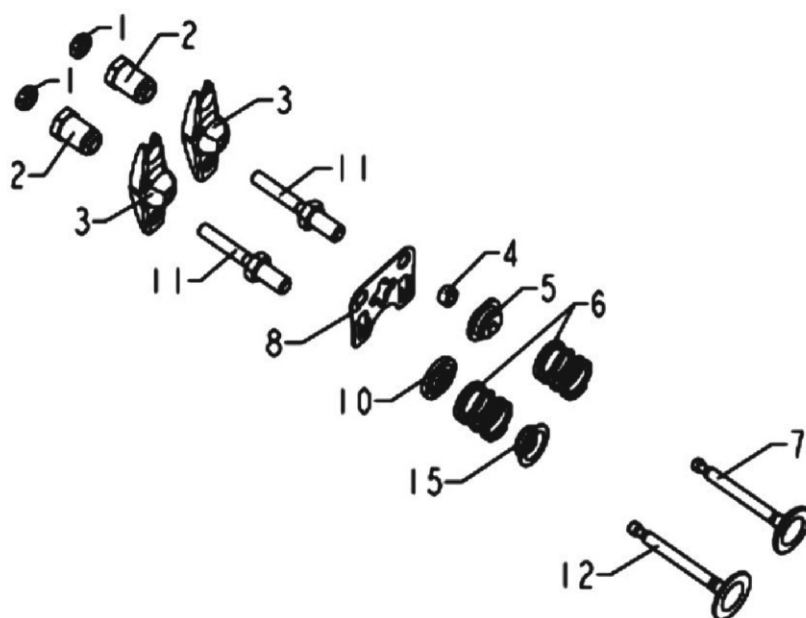


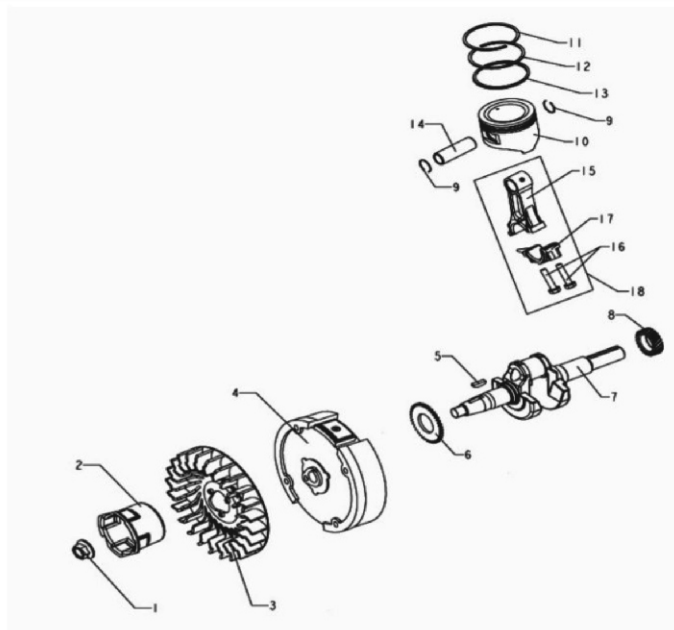
REF NO.	PART NO.	DESCRIPTION	Qty.
(1)			
1	GB/T5787-1986	Bolt M8X30	6
2	QJ168QDJ.01-01	Cover,Crankcase	1
3	QJ168QDJ.01-05	Waasher,Seal	2
4	QJ168QDJ.01-04	Guage,Engine Oil	1
5	QJ168QDJ.01-03	Cover,Supply Oil Mouth	1
6	157.3-8	Guide,Dowel	2
7	QJ168QDJ.01-02	Spacer,Crankcase	1
8	QJ168QDJ.01-01	Oilseal Assy	2
9	GB/T276-1994	Bearing	2
10	QJ166QDK.01-07	Spacer,Drain Plug	2
11	QJ166QDK.01-06	Drain Plug	1
12	QJ168QDJ.01.02	Crankcase Assy	1
13	GB5789-1986	Bolt M6X25	1
14	157.3-6	Guide,Dowel	2



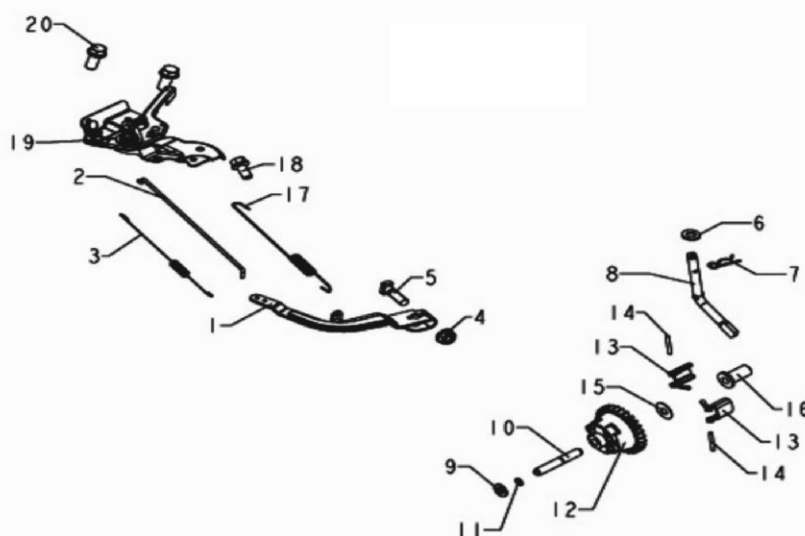
REF NO.	PART NO.	DESCRIPTION	Qty.
(2)			
1	QJ168QDJ.02.02	Spacer Assy,Cylinder Head	1
2	GB5787-1986	Bolt M8X60,Cylinder Head	4
3	QJ168QDJ.01.01	Cylinder Head	1
4	QJ168QDJ.02-04	Spacer 1	1
5	QJ168QDJ.02-02	Mattress,Heat Insulating	1
6	QJ168QDJ.02-05	Spacer 2	1
7	QJ168QDJ.02-03	Bolt,Intake Pipe	2
8	GB/T6177-2000	Nut M6	2
9	QJ168QDJ.02-06	Spacer,Seal	1
10	JF168FJH-15.02.01	Clipboard	1
11	GB/T5789-1986	Bolt M6X14	4
12	QJ168QDJ.02-01	Spacer,Exhaust Pipe	1
13	QJ168QDJ.02-07	Bolt,Exhaust Pipe	2
14	GB/T6170-2000	Nut M8	2
15	QJ1E50FMG.1.2	Spark Plug	1



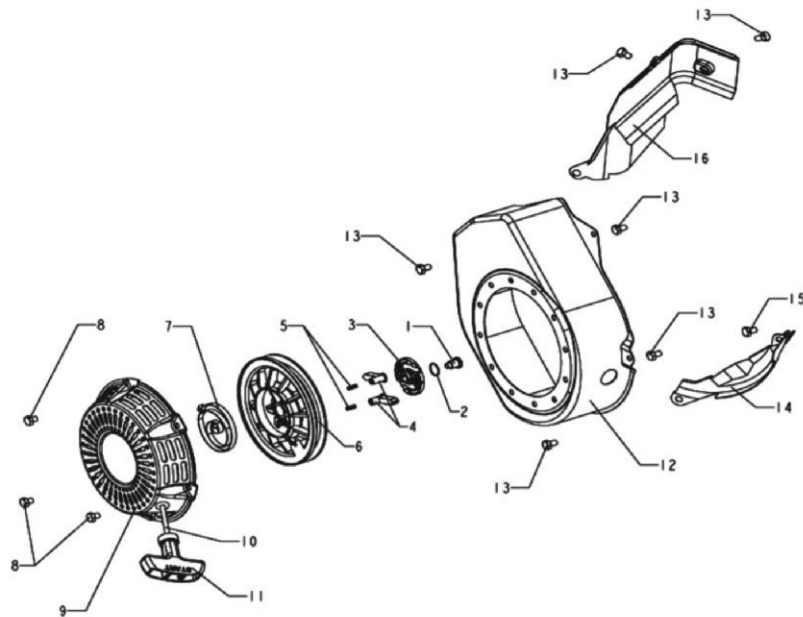
REF NO.	PART NO.	DESCRIPTION	Qty.
(3)			
1	QJ166QDK.03-11	Adjusting? Nut, Valve Clearance	1
2	QJ182QDP.03-07	Buttonhead, Arm	4
3	QJ168QDJ.03-09	Arm	1
4	QJ168QDJ.03-02	Cap, Exhaust Door Rod	1
5	QJ168QDJ.03-10	Upper Retainer, Exhaust Door Spring	1
6	QJ168QDJ.03-07	Spring, Valve	1
7	QJ168QDJ.03-05	Valve, Exhaust	2
8	QJ168QDJ.03-03	Guide Plate, Connecting Stud	2
9	QJ168QDJ.03-02	Rod, Connecting	1
10	QJ168QDJ.03-08	Upper Retainer, Intake Door Spring	1
11	QJ168QDJ.03-04	Adjusting Stud, Valve Clearance	4
12	QJ168QDJ.03-06	Valve, Intake	1
13	QJ168QDJ.03-01	Stud, Connecting	2
14	QJ168QDJ.03.01	Camshaft	2
15	QJ168QDJ.03.03	Oilseal, Valve	1



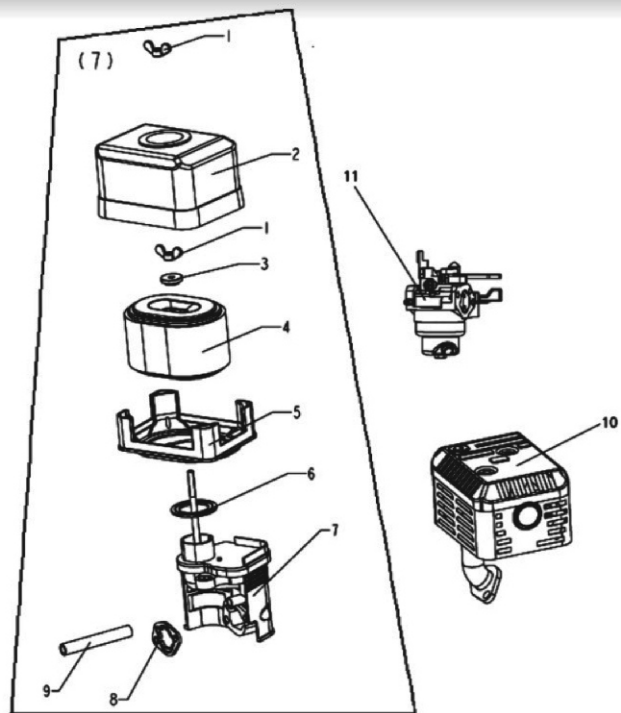
REF NO.	PART NO.	DESCRIPTION	Qty.
(4)			
1	QJ168QDJ.04-06	Nut, Clamp	1
2	QJ168QDJ.04-10	Ratchet Wheel	1
3	QJ168QDJ.04-11	Fan	1
4	QJ168QDJ.04.03	Flying Wheel	1
5	QJ182QDP.04-03	Key	1
6	QJ168QDJ.04-09	Driven Gear, Adjusting	1
7	QJ168QDJ.04-07C	Branche	1
8	QJ168QDJ.04-08	Gear, Crankshaft Timing	1
9	QJ168QDJ.04-05	Circlip, Piston Pin	2
10	QJ168QDJ.04-01	Piston	1
11	QJ168QDJ.04-02	Ring, First	1
12	QJ168QDJ.04-03	Ring, Second	1
13	QJ168QDJ.04.01	Oil Ring Assy	1
14	QJ168QDJ.04-04	Pin, piston	1
15	QJ168QDJ.04.02-01	Rod, Connecting	1
16	QJ166QDK.05.02-03	Bolt, Connecting Rod	2
17	QJ168QDJ.04.02-02	Cover, Connecting Rod	1
18	QJ168QDJ.04.02	Connecting Rod Assy	1



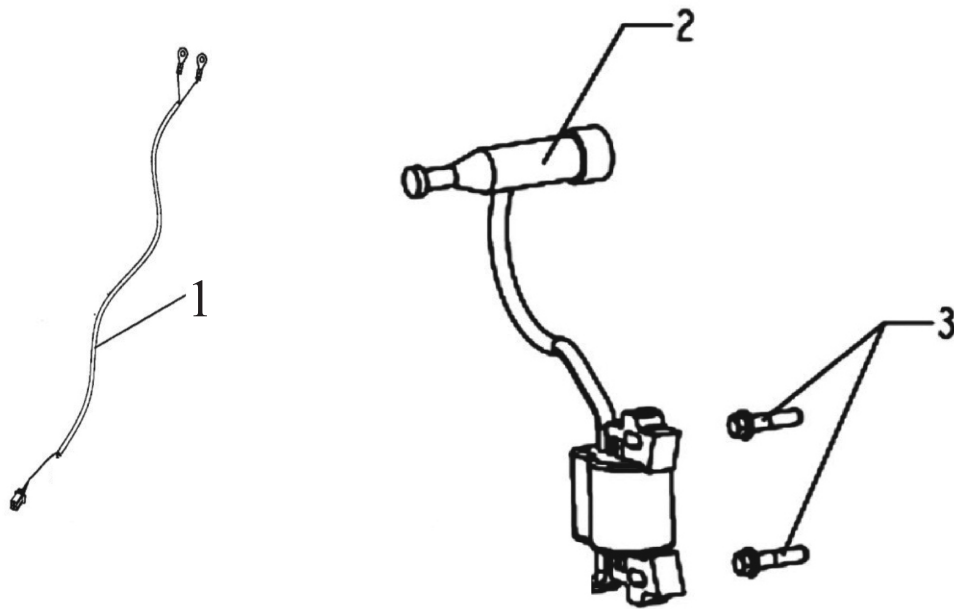
REF NO.	PART NO.	DESCRIPTION	Qty.
(5)			1
1	QJ168QDJ.05-01	Arm	1
2	QJ168QDJ.05-07	Rod Tension	1
3	QJ168QDJ.05-06	Spring 2,Tension	1
4	GB/T6177-2000	Nut M6	1
5	QJ182QDP.06-03	Bolt,Square	1
6	QJ168QDJ.05-09	Spacer 2	1
7	QJ182QDP.06-02	Circlip	1
8	QJ168QDJ.05-03	Fork	1
9	QJ166QDK.06-03	Spacer 1	1
10	QJ168QDJ.05-04	Pin	1
11	QJ166QDK.01-02	Circlip	1
12	QJ168QDJ.05.02-01	Adjustment,Centrifugal	1
13	QJ168QDJ.05.02-03	Block,Centrifugal	2
14	QJ168QDJ.05.02-02	Pin	2
15	QJ168QDJ.05-08	Spacer 3	1
16	QJ168QDJ.05-02	Cover,Push Rod	1
17	JF168FJH-7.03-01	Spring 1,Tension	1
18	GB/T5789-1986	Bolt M6X10	2
19	JF168FJH-7.03.01	Handle Assy	1
20	GB/T5789-1986	Bolt M6X25	1



REF NO.	PART NO.	DESCRIPTION	Qty.
(6)			
1	QJ168QDJ.06-05	Screw	1
2	QJ168QDJ.06-06	Circlip	1
3	QJ168QDJ.06-04	Plate Guide	1
4	QJ168QDJ.06-01	Block Clutch	2
5	QJ168QDJ.06-02	Spring,Pressure	2
6	QJ168QDJ.06-03	Table,Rotary	1
7	QJ168QDJ.06-07	Spring,Turbation	1
8	GB/T5789-1986	Bolt M6X8	3
9	QJ168QDJ.06.01	Cover,Starting	1
10	QJ168QDJ.06-08	Rope,Strating	1
11	QJ168QDJ.06-09	Handle	1
12	QJ168QDJ.06.02.02	Cowling	1
13	GB/T5789-1986	Bolt M6X10	6
14	QJ168QDJ.06.02.01	Plate 1 Driversion	1
15	GB/T5789-1986	Bolt M6X14	1
16	QJ168QDJ.06.02-01	Plate 2 Driversion	1



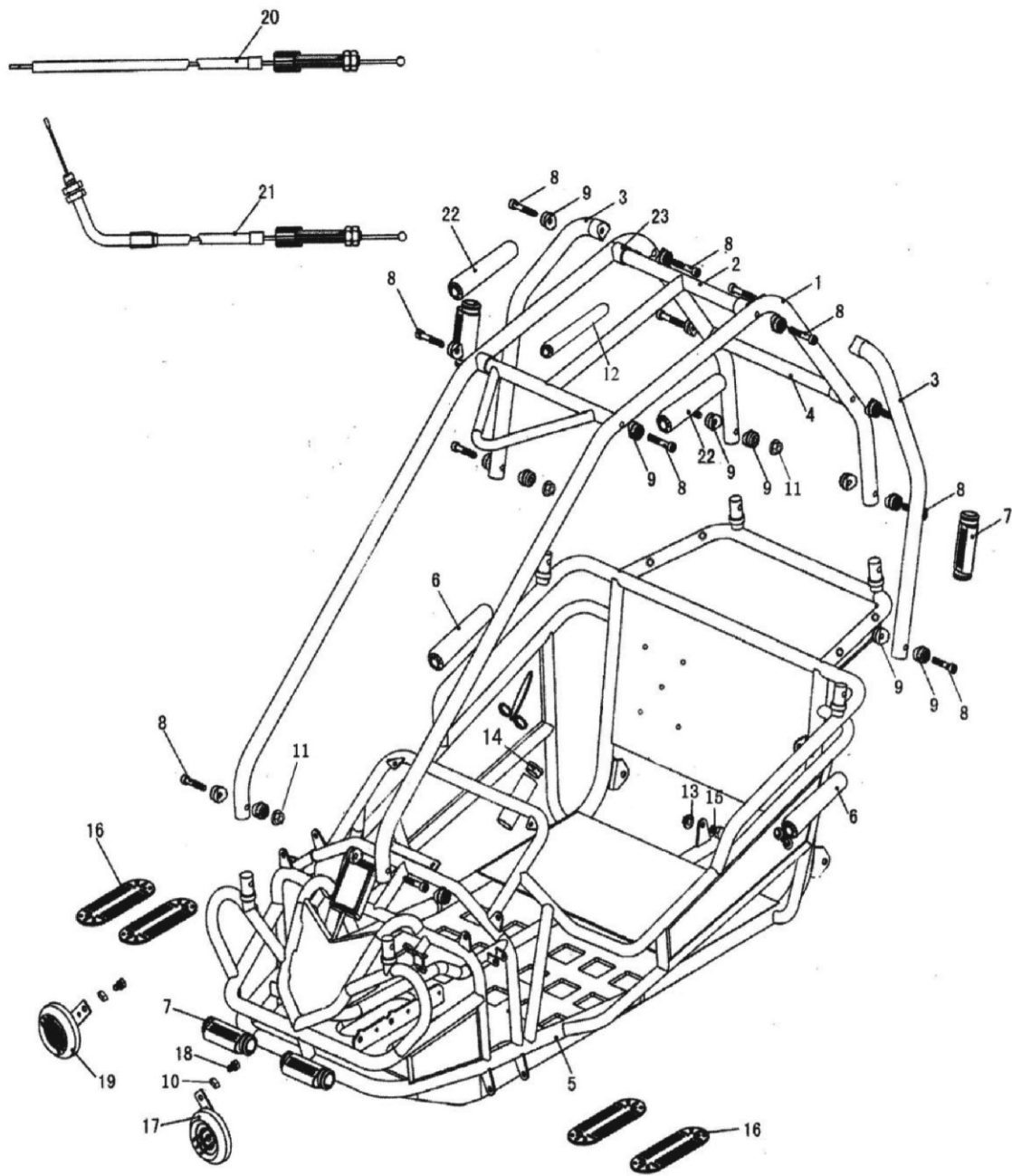
REF NO.	PART NO.	DESCRIPTION	Qty.
(7)	QJ168QDJ.07B	AIR CLEANER ASSY	1
1	GB62-88	Nut M6	2
2	QJ168QDJ.07-04B	Cover,Filtering	1
3	ZJ168FJH.07.01.01-02	Seal	1
4	ZJ168FJH.07.01.01	Core,Filtering	1
5	ZJ168FJH.07.01-02	Bracket,Filtering	1
6	ZJ168FJH.07.01-03	Seal	1
7	QJ168QDJ.07.01	Cover,Upper Body	1
8	QJ168QDJ.07.03	Seal,Air Cleaner	1
9	QJ168QDJ.07-01	Colloid Pipe	1
10	QJ168QDJ.08	MUFFLER ASSY	1
11	QJ168QDJ.09	CARBURETOR ASSY	1



REF NO.	PART NO.	DESCRIPTION	Qty.
(8)			
1	JF168FJH-8B.06.02	Engine stop wire assy	1
2	QJ168QDJ.11.03	Winding Assy	1
3	GB/T5789-1986	Bolt M6X25	2
4			
5			

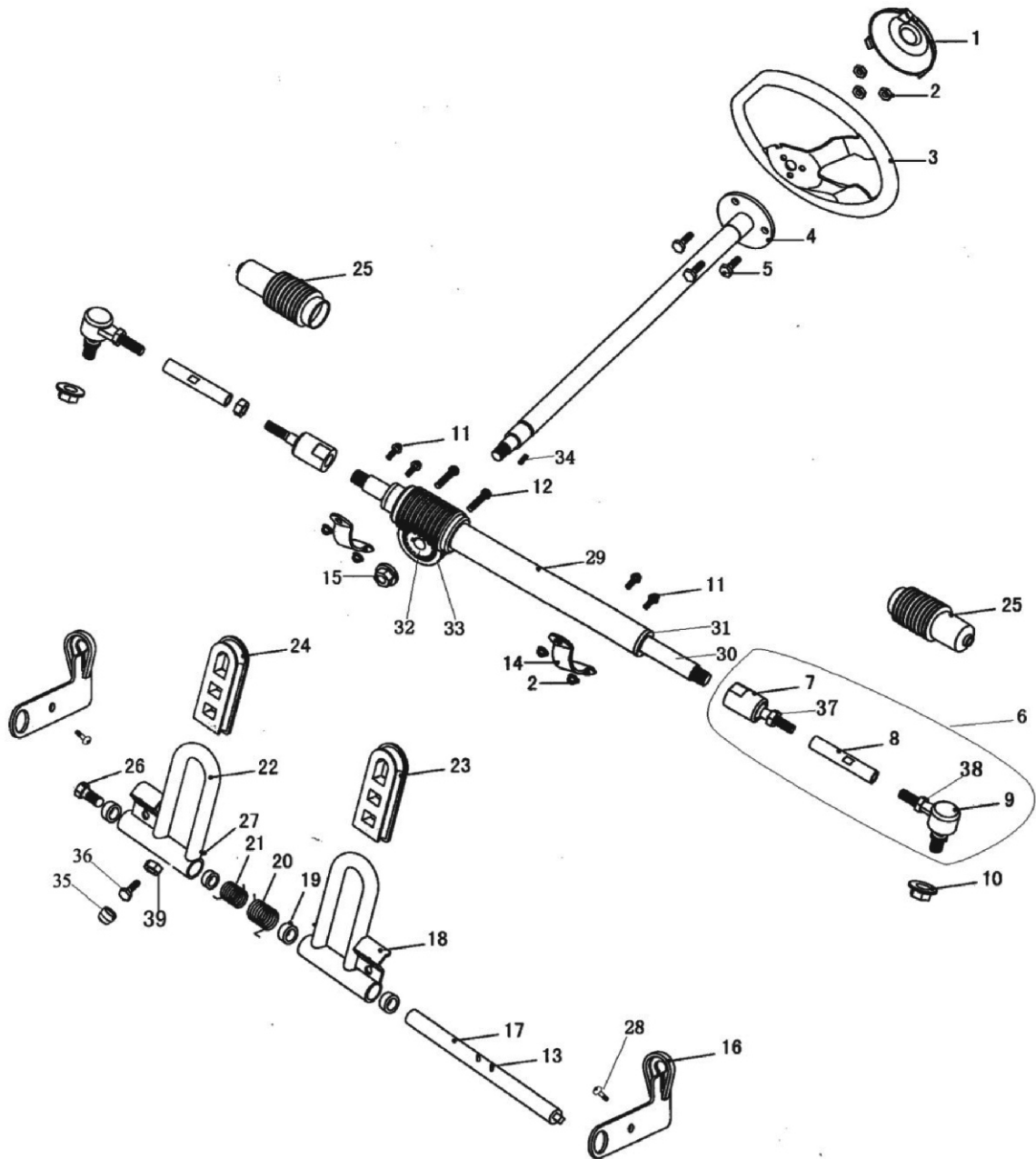


FRAME GROUP



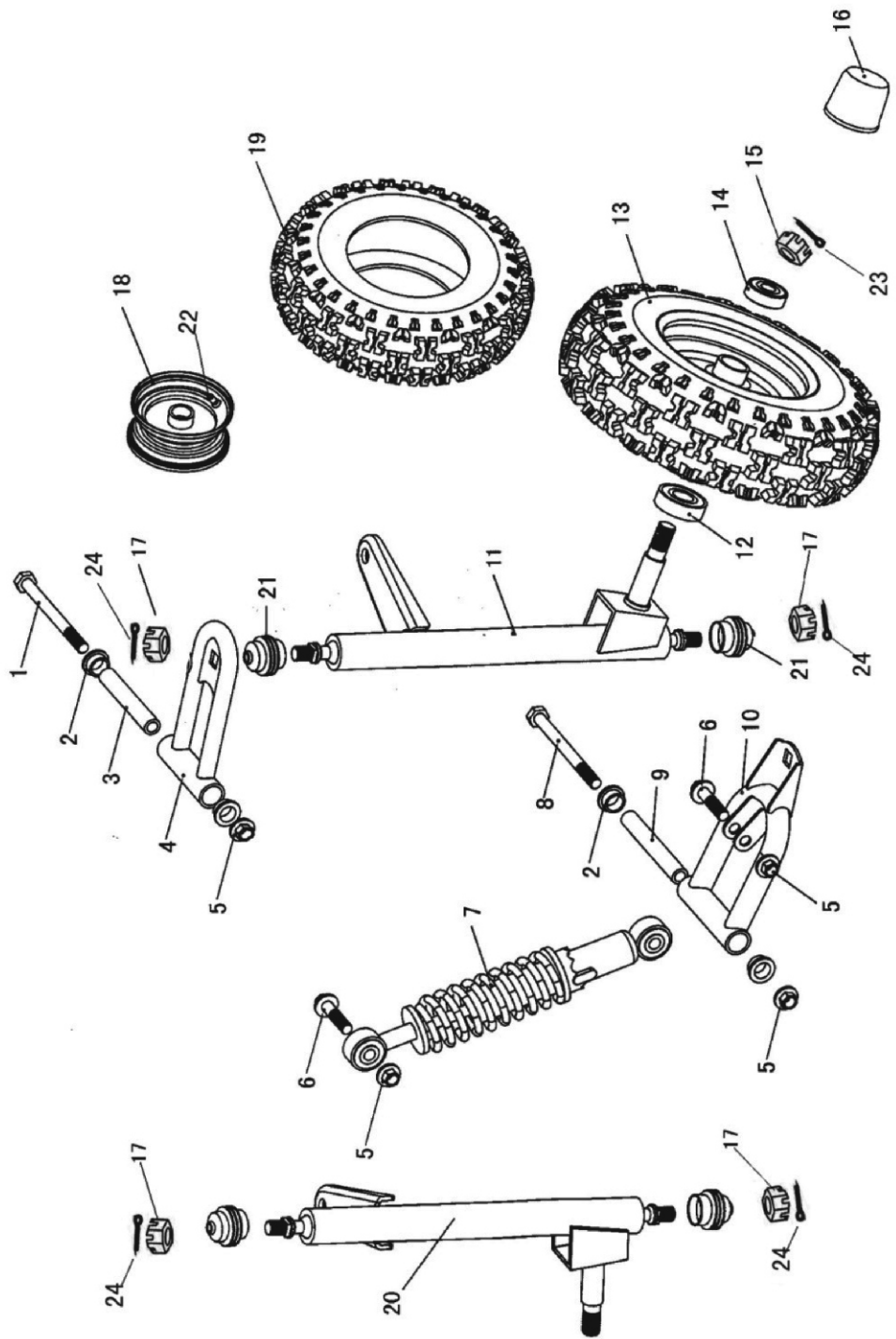
REF NO.	PART NO.	DESCRIPTION	Qty.
12-1	8070045050GH02	CUSTOM BAR CAGE. Black	2
12-2	6000194050GH02	CUSTOM CROSS BAR TOP, FR. Black	1
12-3	8070046050GH02	CUSTOM J-BAR, L.R. SIDE Black	2
12-4	8080041050GH01	CUSTOM CROSS BAR, RR. Black	1
12-5	2000037050GHB3	FRAME COMP. (R.S. Y, P)	1
12-6	6000189050G000	FOAM PADDING —22	2
12-7	7020048050G000	RUBBER PROTECTOR	4
12-8	57870804512505	ALLEN HEAD BOLT M8×1.25×45	14
12-9	7010047050G000	R-WASHER	20
12-10	61870800012505	NUT M8X1.25	2
12-11	61870800012505	NUT M8X1.25	6
12-12	600019050G000	FOAM PADDING	1
12-13	61871000012505	LOCKING FLANGE NUT, M10	1
12-14	2010.006	STEERING SHAFT BUSH	1
12-15	70001001612504	ALLEN HEAD BOLT M10×1.25×16	1
12-16	2020.045	RUBBER FOOT PLATE	4
12-17	6000135250G000	HORN, H	1
12-18	57890801612505	FLANGE BOLT M8×1.25×16	2
12-19	6000136250G000	HORN, L	1
12-20	6030132050G000	THROTTLE CABLE COMP.	1
12-21	6001000050G0A0	BRAKE CABLE COMP.	1
12-22	6000191050G000	FOAM PADDING —30	2
12-23	7010045050G000	CUSTOM BAR CAGE CAP	8

STEERING SHAFT ASSY.



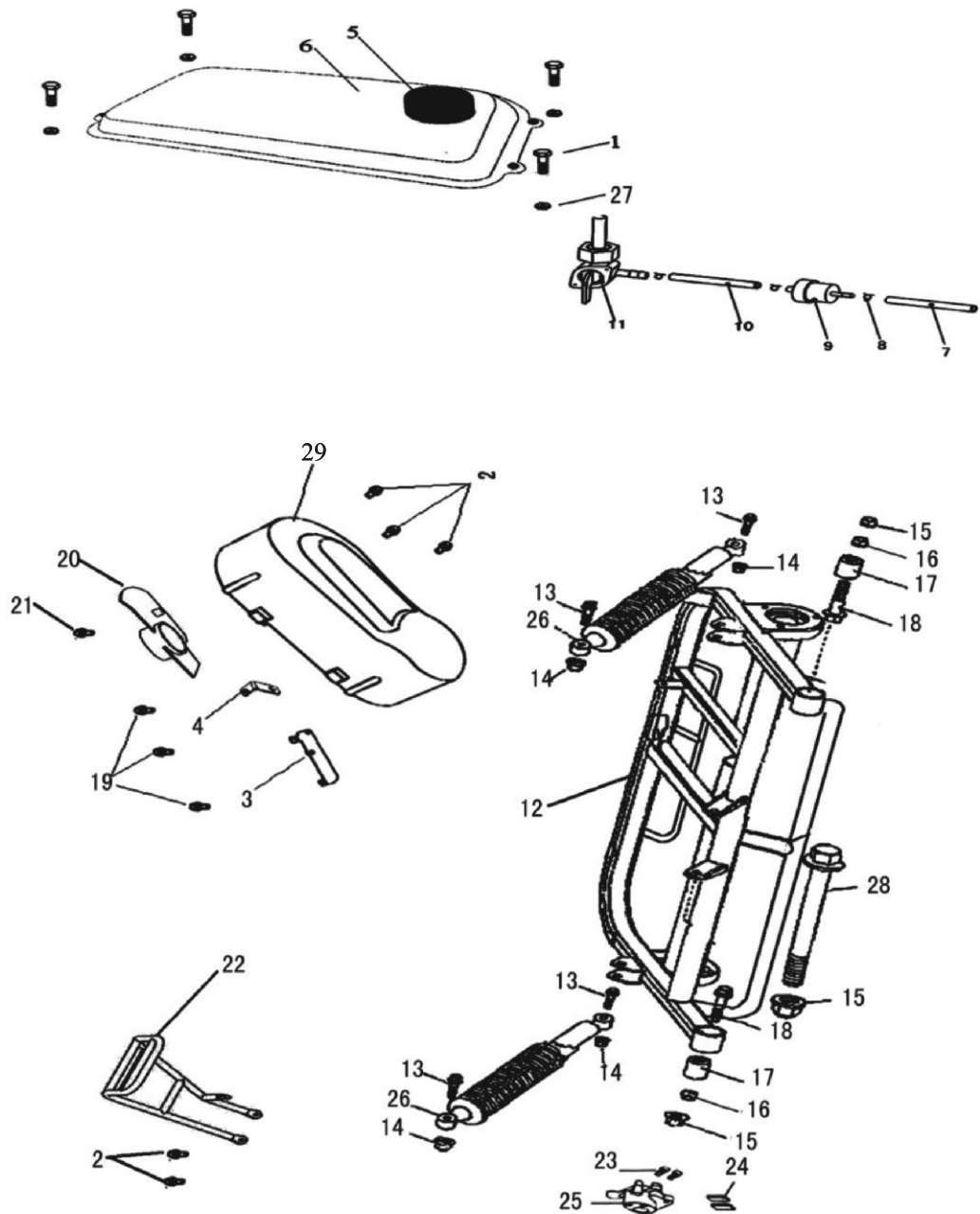
REF NO.	PART NO.	DESCRIPTION	Qty.
13-1	7010056080G000	STEERING BOLT COVER	1
13-2	61820600610005	LOCKING NYLON NUT M6	7
13-3	7020057080G000	STEERING WHEEL	1
13-4	2000056080G001	STEERING SHAFT	1
13-5	57870601610005	BOLT, M6×16	3
13-6	8000002050G000	TIE ROD ASSY	2
13-7	6000.180	STEERING BALL JOINT	2
13-8	8010135050G000	TIE ROD	2
13-9	6000181080GH00	ROD END	2
13-10	61870800012505	LOCKING NYLON NUT M8	2
13-11	57890602010005	FLANGE BOLT, M6×20	4
13-12	90741501210005	BOLT, M5×12	2
13-13	87910300200000	ROLL PIN Φ3×20	2
13-14	8020130080GH00	STEERING GEAR BRACKET.	2
13-15	61871000012505	LOCKING NUT M10	1
13-16	8020144050GH00	PEDAL BRACKET	2
13-17	8010103050G200	PEDAL BOLT	1
13-18	4000025050GH00	BRAKE PEDAL COMP.	1
13-19	7010003250G000	PEDAL BUSH	4
13-20	8040011080G000	BRAKE PEDAL RETURN SPRING, R	1
13-21	8040010080G000	THROTTLE PEDAL RETURN SPRING, L	1
13-22	4000026050GH00	THROTTLE PEDAL COMP.	1
13-23	7020043080G000	BRAKE PEDAL PAD	1
13-24	7020044080G000	THROTTLE PEDAL PAD	1
13-25	7020059080G000	STEERING BALL JOINT DUST COVER	2
13-26	70000801612505	ALLEN HEAD BOLT M8×1.25×16	1
13-27	87910300160000	ROLL PIN M3×16	2
13-28	90741501210005	BOLT, M5×12	2
13-29	4012000050G000	Steering Gear	1
13-34	8010082080G000	key 4x4x10	1
13-35	14-0502-00	Rubber Food Pedal Stop	1
13-36	7000805012505	Alen Bolt M8x50	1
13-39	61700800012505	NUT GB6170 M8	1

SUSPENSION ARM ASSY.



REF NO.	PART NO.	DESCRIPTION	Qty.
14-1	57890809512505	FLANGE BOLT M8x1.25x95	2
14-2	7010003250G000	UPPER SUSPENSION ARM BUSH.	8
14-3	8010104050G000	UPPER SUSPENSION ARM COLLAR.	2
14-4	4000020050GH00	UPPER SUSPENSION ARM	2
14-5	61870800012505	LOCKING FLANGE NYLON NUT M8	8
14-6	57890803012505	FLANGE BOLT M8x1.25x30	4
14-7	6000172050G000	CUSHION ASS'Y. FR.	2
14-8	57890810512505	FLANGE BOLT M8x1.25x105	2
14-9	8010015250G000	LOWER SUSPENSION ARM COLLAR.	2
14-10	4000021050GH00	LOWER SUSPENSION ARM ASS'Y.	2
14-11	2000031050G000	SPINDLE AND STRUT SUPPORT, R	1
14-12	62042RS0000000	BEARING 6204	2
14-13	6.100.169-BK	FRONT WHEEL ASSY.	2
14-14	9.030.009	BEARING 6201	2
14-15	94571200012505	NUT M12	2
14-16	7020039250G000	HUB COVER. FR.	2
14-17	94571000012505	NUT M10	4
14-18	60001820050G000	RIM, FR	2
14-19	4400100080G0B0	TIRE, FR A004 145/70-6	2
14-20	2000032050G000	SPINDLE AND STRUT SUPPORT, L	1
14-21	7020061080G000	BALL HEAD DUST SEAL	4
14-22	7190018250G000	Air Valve	2
14-23	GB912503000002	COTTER PIN $\Phi$ 2.5X30	2
14-24	GB912002500002	COTTER PIN $\Phi$ 2X25	4

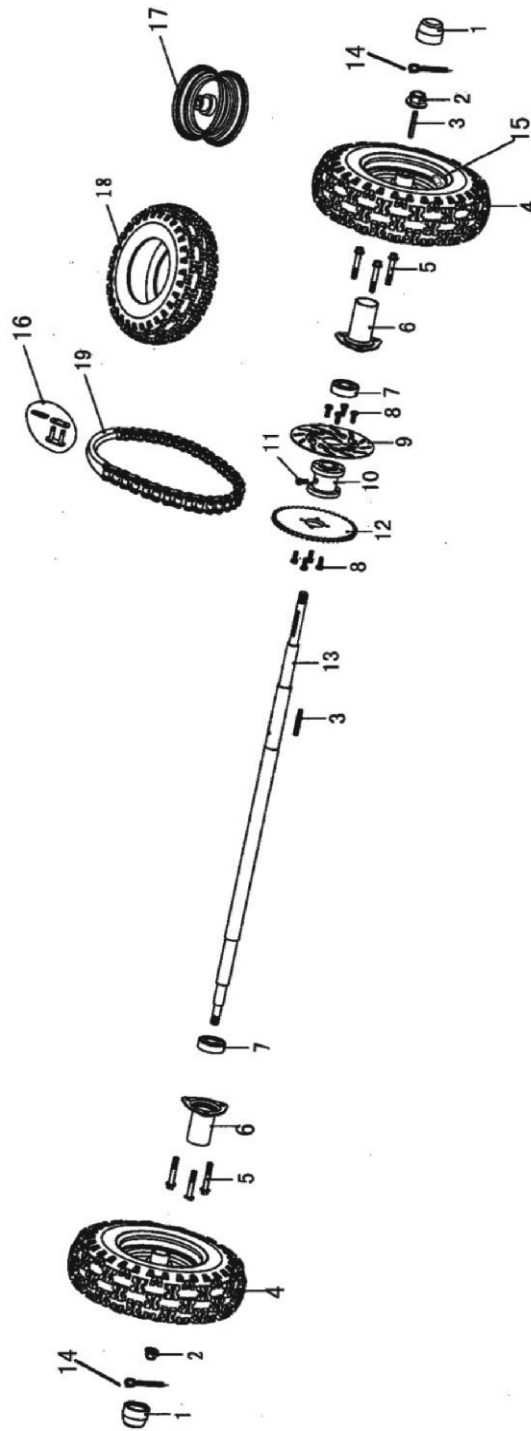
REAR SWING ARM



REF NO.:ON		DESCRIPTION	Qty.
15-1	57890603210005	FLANGE BOLT, M6×32	4
15-2	57890601210005	FLANGE BOLT M6×12	5
15-3	7100002050GH00	FIXER PLASTIC I	1
15-4	7.100.001	FIXER PLASTIC II	1
15-5	6000145080G0A0	FUEL FILTER CAP COMP.	1
15-6	4000019050G001	FUEL TANK COMP.	1
15-7	7020030050G000	FUEL TUBE, #1	1
15-8	621A0800000000	FUEL TUBE CLIP	4
15-9	6000056250G000	FILTER	1
15-10	7020029050G000	FUEL TUBE, #2	1
15-11	6000046250G000	FUEL COCK ASS'Y	1
15-12	14060200050GH0B0	REAR SWING ARM	1
15-13	57890803012505	FLANGE BOLT M8×1.25-30	4
15-14	61870800012505	LOCKING FLANGE NUT M8	4
15-15	61871000012505	LOCKING FLANGE NUT M10X1.25	3
15-16	61701000012505	NUT M10X1.25	2
15-17	7020056050G000	REAR SWING ARM BUSH	2
15-18	57891005012505	FLANGE BOLT M10×1.25X50	2
15-19	57890801612505	FLANGE BOLT M8×16	3
15-20	14-0207-00	Plastic Chain Guard 2	1
15-21	8180503010004	BOLT M5X30	1
15-22	14-0603-00	Exhaust Guard, Stand	excluding GK50 XRX/R 1
15-23	12111208031	ALLEN BOLT M6×16	2
15-24	7120060050G000	BRAKE PAD SET, RR	1
15-25	6000178080G001	CALIPER ASSY. RR	1
15-26	6000173050G000	CUSHION ASS'Y. RR	2
15-27	61820600010005	NYLON NUT M6	4
15-28	57871018012505	FLANGE BOLT M10×1.25X180	1
15-29	8110021050G000	DIRVE COVER PLASTIC	1

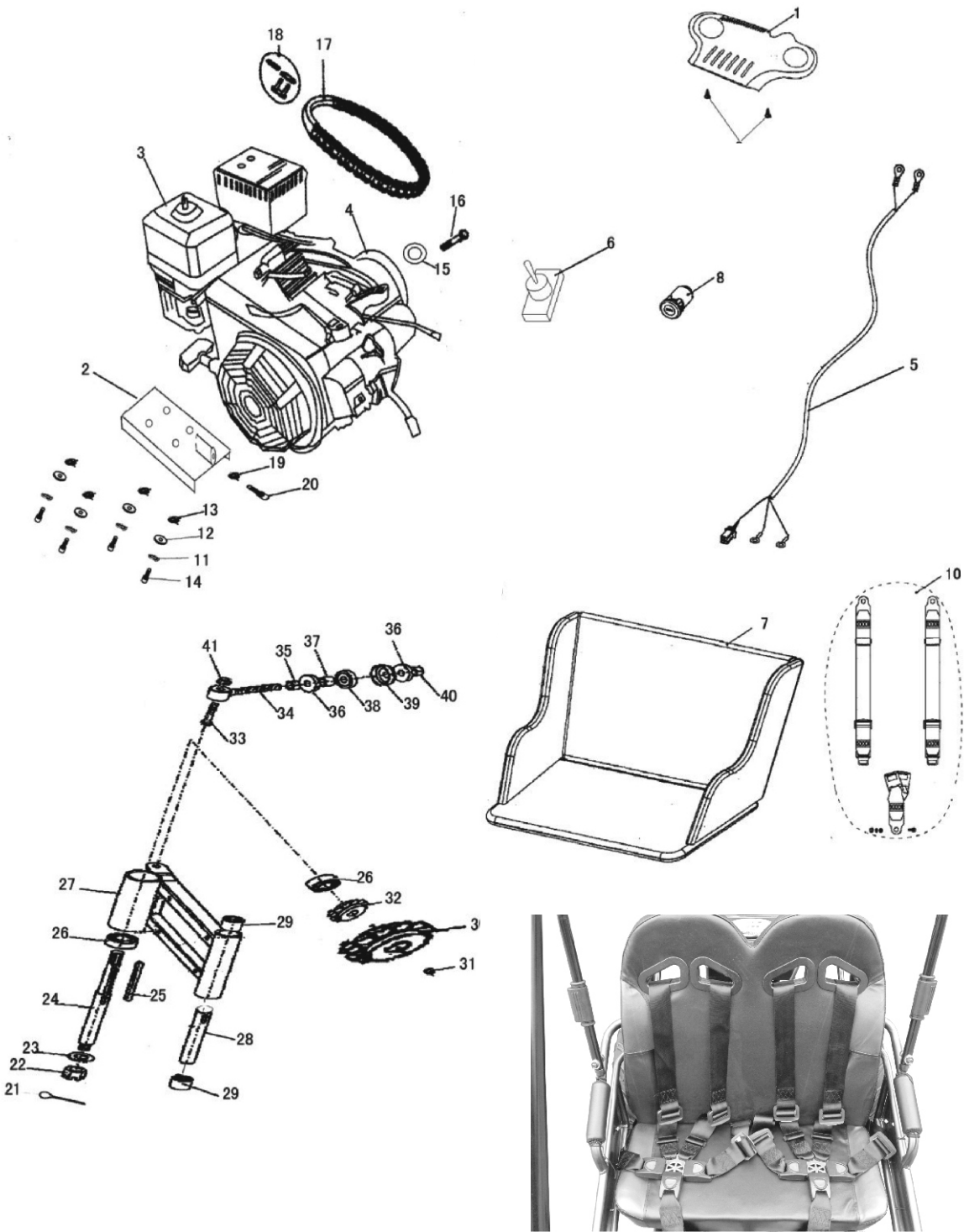


REAR HOUSING



REF NO.	PART NO.	DESCRIPTION	Qty.
16-1	7020039250G000	HUB COVER, RR.	2
16-2	9457160001505	LOCKING FLANGE NUT M16	2
16-3	8010138050G000	AXLE KEY	3
16-4	6.000.170-BK	REAR WHEEL ASS'Y.	2
16-5	57890801612505	FLANGE BOLT M8×1.25×16	6
16-6	6000196080GH00	AXLE COVER	2
16-7	62042RS0000000	BEARING, 6204	2
16-8	57890601610005	FLANGE BOLT M6×16	8
16-9	8010098050G000	DISC, BRAKE. RR.	1
16-10	8010097050G100	REAR AXLE HUB	1
16-11	70000801012505	ALLEN HEAD BOLT M8×1.25×10	1
16-12	8010099050G000	REAR SPROCKET	1
16-13	8010107050G0B3	REAR AXLE	1
16-14	GB913004000002	cotter Pin 3 x 40	2
16-15	7190018250G000	Air Valve	2
16-16	6000199050G000	MASTER LINK	1
16-17	6000183050G001	RIM, RR.	2
16-18	4403100050G001	TIRE, RR A004 16x8-7	2
16-19	9070004050G000	DRIVE CHAIN	1

WIRE HARNESS / ELECTRICAL / SEAT / CLUTCH ASSY



REF NO.		DESCRIPTION	Qty.
F17-1	1402050050G000	SWITCH PANEL COVER	1
F17-2	1406050050G000	Engine Mounting Plate	1
F17-3	5F168F3H-8CC	ENGINE COMP.	1
F17-4	1411020050G000	Clutch	1
F17-5	8002501050G000	WIRE HARNESS	1
F17-6	14-0304-00	ENGINE STOP BUTTON	1
F17-7	5110000050G0A3	SEAT COMP.	1
F17-8	6000165080G000	POWER ON SWITCH	1
F17-9	28234201300005	Self Tapping Screw 4.2 x 13	4
F17-10	6000179050G000	SAFETY BELT	1
F17-11	93000800000005	Spring Washer	4
F17-12	97000800000005	Flat Washer	4
F17-13	61870800012505	LOCKING FLANGE NUT M8	4
F17-14	57870805512505	BOLT M8X55	4
F17-15	96000800000005	Clutch Washer $\Phi 8$ (GB96)	1
F17-16	57830802012501	BOLT M8X20	1
F17-17	1411030050G000	DRIVE CHAIN	1
F17-18	6000324080G000	MASTER LINK	1
F17-19	6.034.096	NUT M8	1
F17-20	57870804512505	BOLT M8X45	1
F17-21	GB912503000002	COTTER PIN $\Phi 2.5 \times 30$	1
F17-22	94571400015005	CASTLE NUT M14X1.5	1
F17-23	95001400000005	WASHER $\phi 14$	1
F17-24	14-1104-00	Shaft, Sprocket and Drive Pulley	1
F17-25	1411050050G003	Rear Clutch Axle Key	1
F17-26	6.000.065	BEARING 6004	2
F17-27	1406050050G000	ENGINE MOUNTING PLATE (2)	1
F17-28	14-0503-00	Bushing, Rubber	1
F17-29	7020077080G000	BUSHING	2
F17-30	008-30-428	30 Teeth Sprocket	1
F17-31	61871600015005	NUT M16X1.5	1
F17-32	1010200050G0C0	13 Teeth Sprocket	1
F17-33	57851004512505	BOLT M10X1.25X45	1
F17-34	8147008080G100	CHAIN ADJUSTER	1
F17-35	61871200012505	NUT M12X1.25	1
F17-36	8010042250G100	WASHER-CHAIN ADJUSTER	2
F17-37	8010041080G000	BUSHING-CHAIN ADJUSTER	1
F17-38	7020001080G000	CAP WASHER-CHAIN ADJUSTER	1
F17-39	8020045080G100	BOTTOM CAP WASHER-CHAIN ADJUSTER	1
F17-40	61871200012505	NUT M12X1.25	1
F17-41	61871000012505	NUT M10X1.25	1