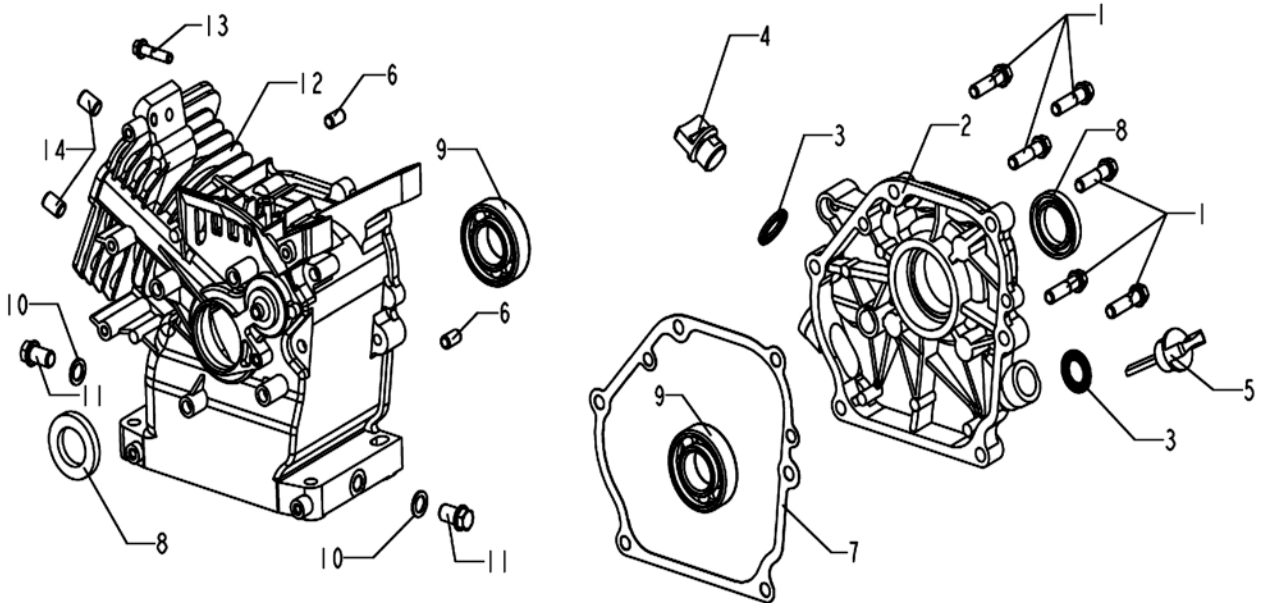


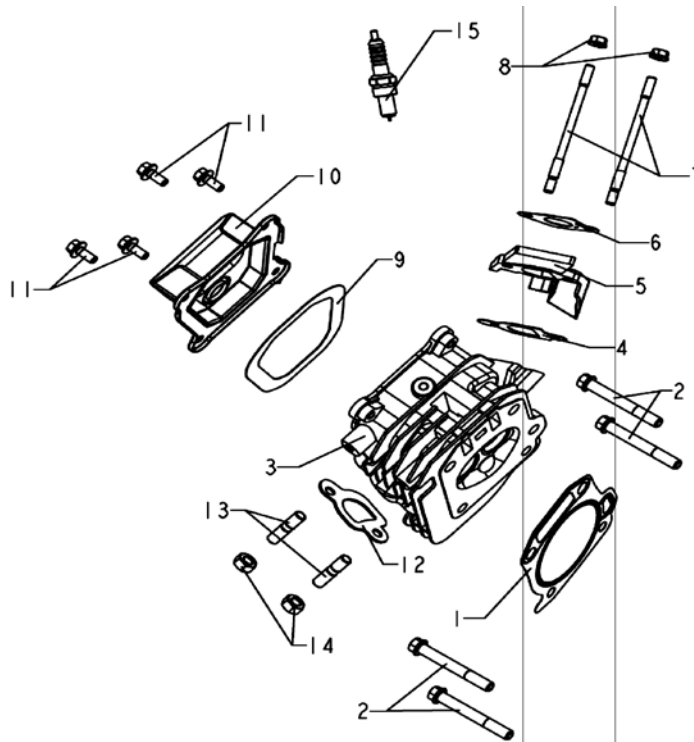


***TrailMaster* Go-Kart**
MID XRX
PARTS MANUAL

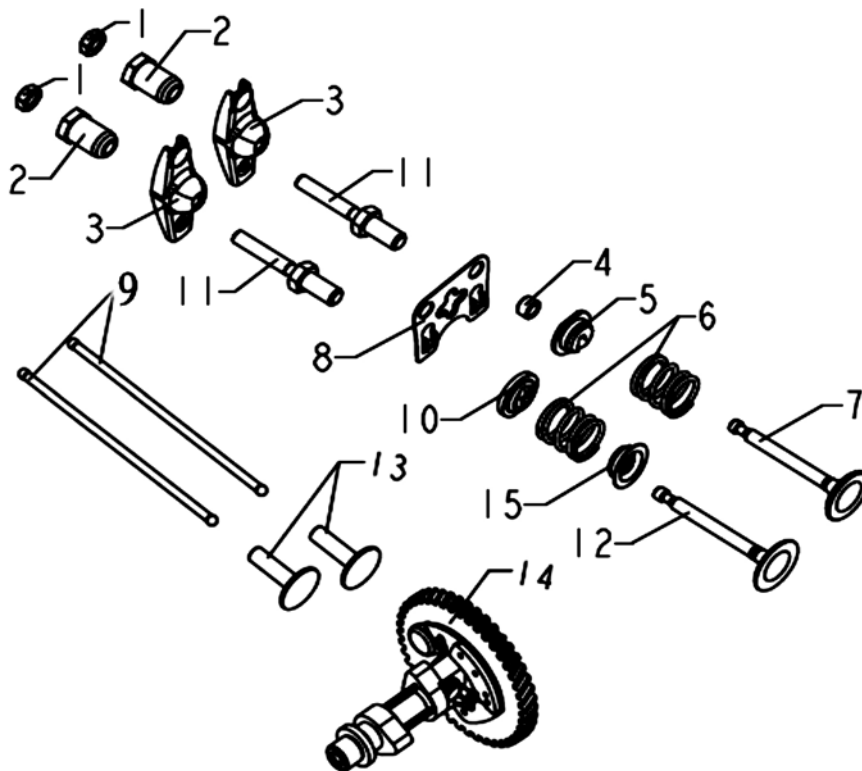


CRANKCASE ASSY

REF NO .	PART NO .	DESCRIPTION	REGD NO .
1	GB/T5787-1986	Bolt M8X30	6
2	QJ168QDJ.01-01	Cover,Crankcase	1
3	JF142F.8-5	Waasher,Seal	2
4	QJ168QDJ.01-04	Guage,Engine Oil	2
5	QJ168QDJ.01-03	Cover,Supply Oil Mouth	1
6	157.3-8	Guide,Dowel (8x14)	2
7	QJ168QDJ.01-02	Spacer,Crankcase	1
8	QJ168QDJ.01.01	Oilseal Assy 25X41.25X6	2
9	GB/T276-1994	Bearing6025/P53	2
10	QJ166QDK.01-07	Spacer,Drain Plug	2
11	QJ166QDK.01-06	Drain Plug	2
12	JF168FLH-16.01.01	Crankcase Assy	1
13	GB/T5789-1986	Bolt M6X30	1
14	157.4-6	Guide,Dowel (10x14)	2

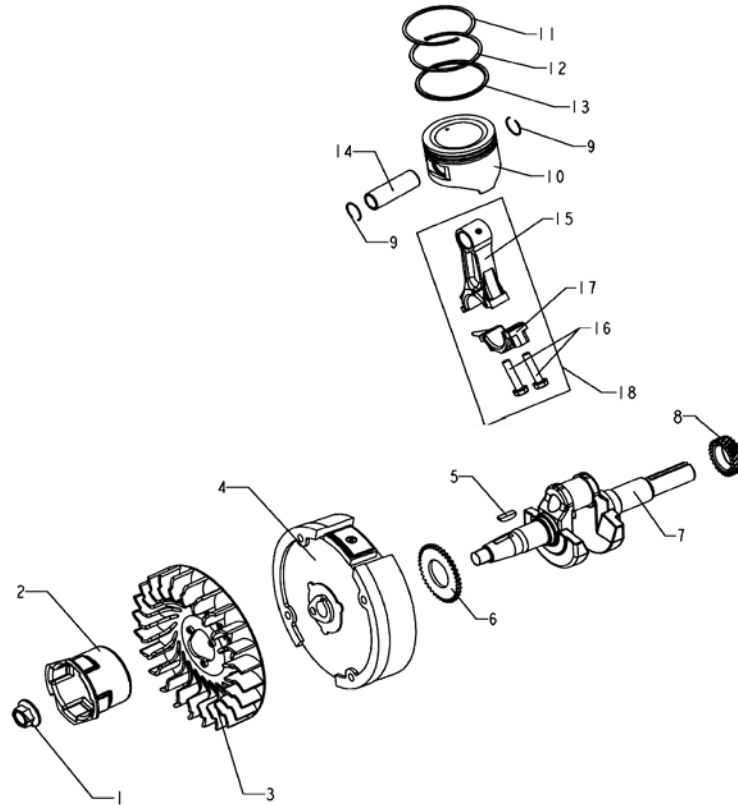


CYLINDER HEAD ASSY				
REF NO .	PART NO .	DESCRIPTION	REGD NO .	
1	QJ168QDL.02-01	Spacer Assy,Cylinder Head	1	
2	GB/T5787-1986	M8X660Bolt,Cylinder Head	4	
3	QJ168QDL.02.01	Cylinder Head	1	
4	QJ168QDJ.02-04	Spacer 1	1	
5	QJ168QDJ.02-02	Mattress,Heat Insulating	1	
6	QJ168QDJ.02-05	Spacer 2	1	
7	QJ168QDJ.02-03	Bolt,Intake Pipe	2	
8	GB/T6177-2000	Nut M6	2	
9	QJ168QDJ.02-06	Spacer,Seal	1	
10	QJ168QDJ.02.03	Clipboard	1	
11	GB/T5789-1986	Bolt M6X14	4	
12	QJ168QDJ.02-01	Spacer,Exhaust Pipe	1	
13	QJ168QDJ.02-07	Bolt,Exhaust Pipe	2	
14	GB/T6170-2000	Nut M8	2	
15	QJ1E50FMG.1.2	(F7RTC) Spark Plug	1	

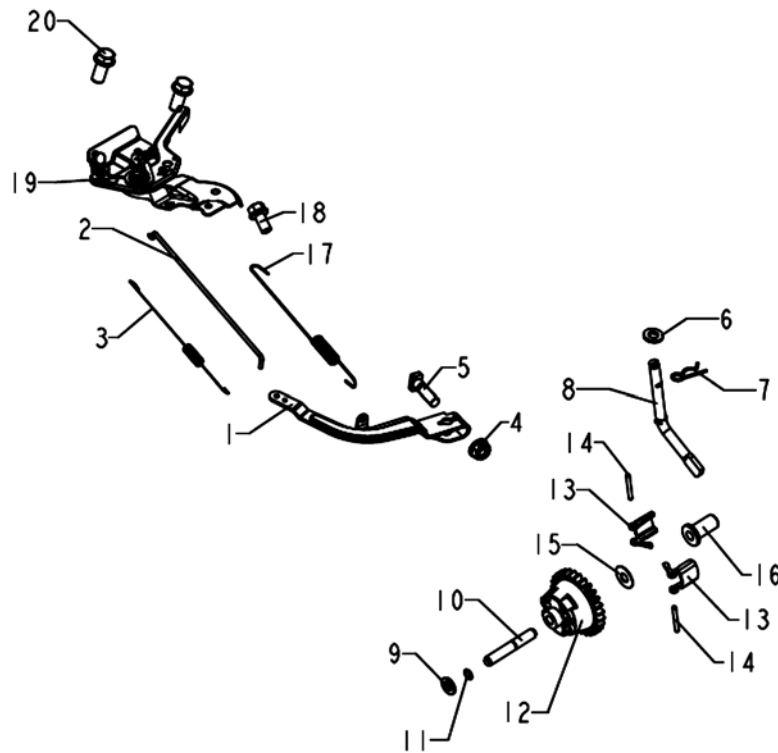


INTAKE EXHAUST MECHANISM ASSY

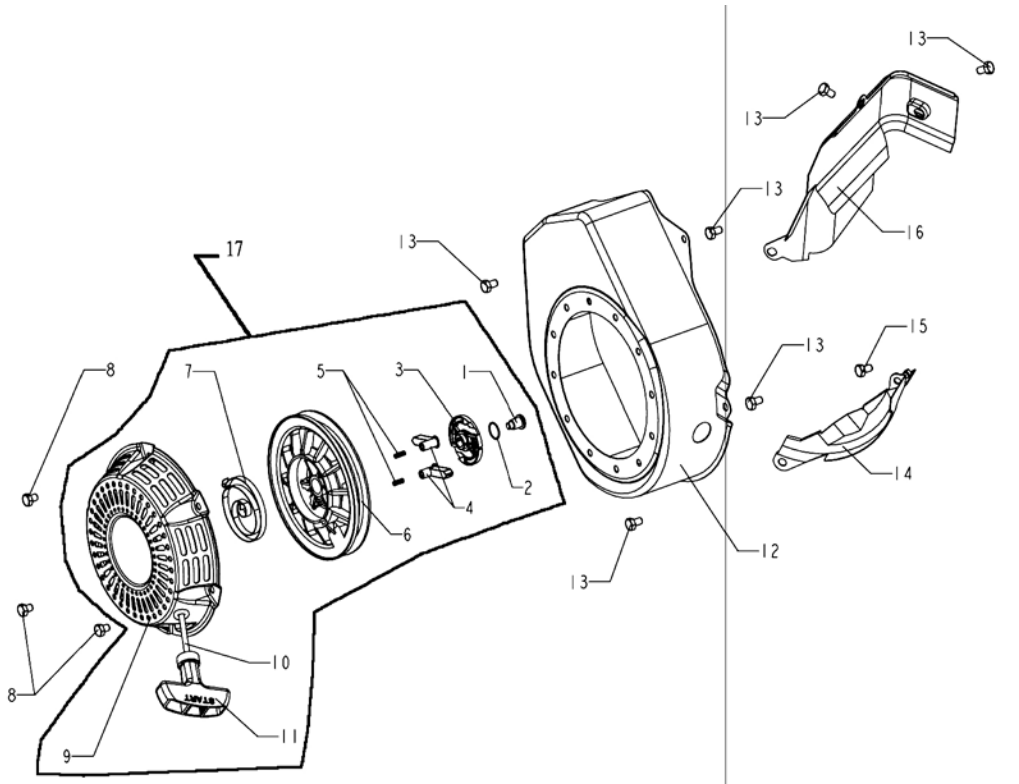
REF NO .	PART NO .	DESCRIPTION	REGD NO .
1	QJ166QDK.03-11	Adjusting Nut,Valve Clearance	2
2	QJ182QDP.03-07	Buttonhead,Arm	2
3	QJ168QDJ.03-09	Arm	2
4	J168QDJ.03-02	Cap,Exhaust Door Rod	1
5	QJ168QDJ.03-10	Upper Retainer,Exhaust Door Spring	1
6	QJ168QDJ.03-07	Spring,Valve	2
7	QJ168QDJ.03-05	Valve,Exhaust	1
8	QJ168QDJ.03.04	Guide Plate,Connecting Stud	1
9	QJ168QDJ.03.02	Rod,Connecting	2
10	QJ168QDJ.03-08	Upper Retainer,Intake Door Spring	1
11	QJ182QDP.03-04	Adjusting Stud,Valve Clearance	2
12	QJ168QDJ.03-06	Valve,Intake	1
13	QJ168QDL.03-01	Stud,Connecting	2
14	QJ168QDL.03.01	Camshaft	1
15	QJ168QDJ.03.03	Oilseal,Valve	1



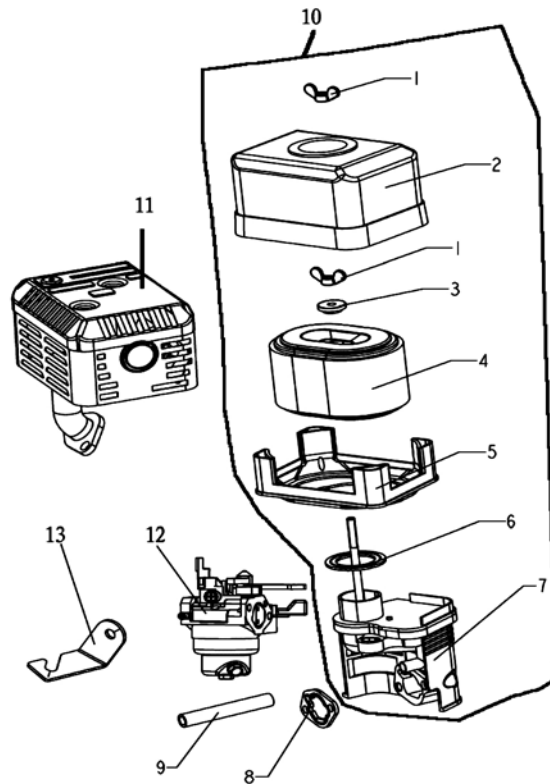
BRANCE FLYING WHEEL				
REF NO .	PART NO .	DESCRIPTION	REGD NO .	
1	QJ168QDJ.04-06	Nut, Clamp	1	
2	QJ168QDJ.04-10	Ratchet Wheel	1	
3	QJ168QDJ.04-11	Fan	1	
4	JF168FJH-5.02.01	Flying Wheel	1	
5	QJ182QDP.04-03	Key	1	
6	QJ168QDJ.04-09	Driven Gear, Adjusting	1	
7	JF168FLH-8B.04-01	Brance	1	
8	QJ168QDJ.04-08	Gear, Crankshaft Timing	1	
9	QJ168QDJ.04-05	Circlip, Piston Pin	2	
10	QJ168QDL.04-01	Piston	1	
11	QJ168QDJ.04-02	Ring, First	1	
12	QJ168QDJ.04-03	Ring, Second	1	
13	QJ168QDJ.04.01	Oil Ring Assy	1	
14	QJ168QDJ.04-04	Pin, piston	1	
15	QJ168QDJ.04.02-01	Rod, Connecting	1	
16	QJ166QDK.05.02-03	Bolt, Connecting Rod	2	
17	QJ168QDJ.04.02-02	Cover, Connecting Rod	1	
18	QJ168QDJ.04.02	Connecting Rod Assy	1	



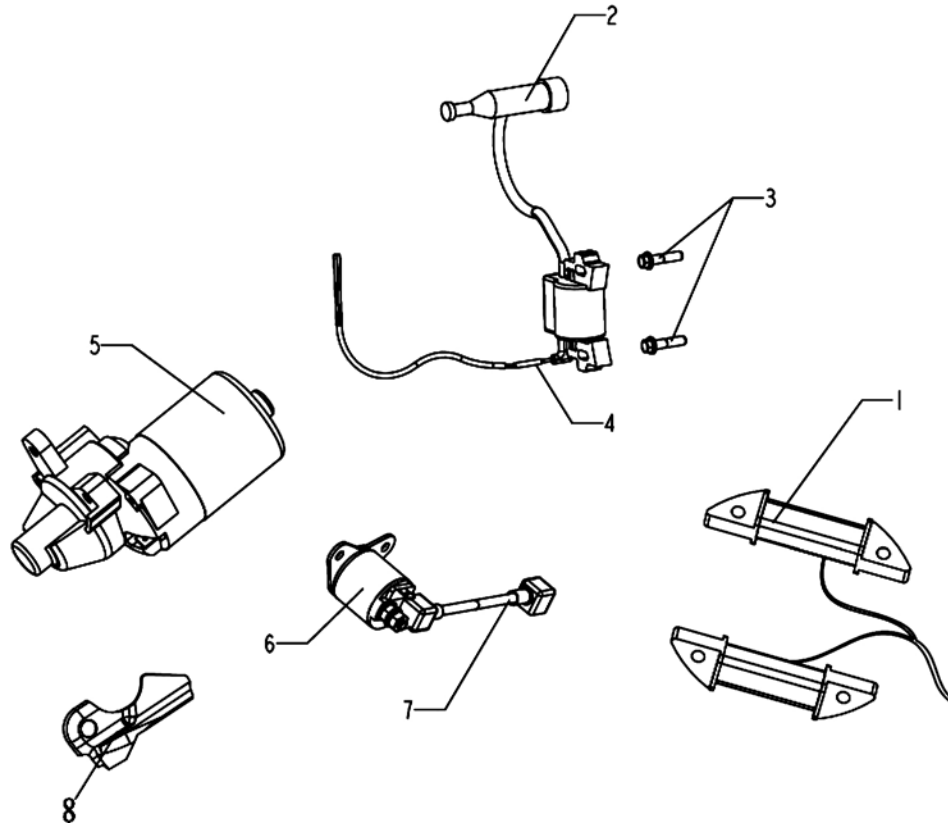
CENTRIFUGAL ADJUSTMENT ASSY				
REF NO .	PART NO .	DESCRIPTION	REGD NO .	
1	QJ168QDJ.05-01	Arm	1	
2	QJ168QDJ.05-07	Rod Tension	1	
3	QJ168QDJ.05-06	Spring 2,Tension	1	
4	GB/T6177-2000	Nut	1	
5	QJ182QDP.06-03	Bolt,Square	1	
6	QJ168QDJ.05-09	Spacer 2	1	
7	QJ182QDP.06-02	Circlip	1	
8	QJ168QDJ.05-03	Fork	1	
9	QJ166QDK.06-03	Spacer 1	1	
10	QJ168QDJ.05-04	Pin	1	
11	QJ166QDK.01-02	Circlip	1	
12	QJ168QDJ.05.02-01	Adjustment,Centrifugal	1	
13	QJ168QDJ.05.02-03	Block,Centrifugal	2	
14	QJ168QDJ.05.02-02	Pin	2	
15	QJ168QDJ.05-08	Spacer 3	1	
16	QJ168QDJ.05-02	Cover,Push Rod	1	
17	JF168FJH-7.03-01	Spring 1,Tension	1	
18	GB/T5789-1986	Bolt	2	
19	JF168FJH-7.03.01	Handle Assy	1	
20	GB/T5789-1986	Bolt	1	



STARTING SETS			
REF NO .	PART NO .	DESCRIPTION	REGD NO .
1	QJ168QDJ.06-05	Screw	1
2	QJ168QDJ.06-06	Circlip	1
3	QJ168QDJ.06-04	Plate Guide	1
4	QJ168QDJ.06-01	Block Clutch	2
5	QJ168QDJ.06-02	Spring,Pressure	2
6	QJ168QDJ.06-03	Table,Rotary	1
7	QJ168QDJ.06-07	Spring,Turbinaton	1
8	GB/T5789-1986	Bolt	3
9	QJ168QDJ.06.01	Cover,Starting	1
10	QJ168QDJ.06-08	Rope,Strating	1
11	QJ168QDJ.06-09	Handle	1
12	JF168FJH-5.03.02.01	Cowling	1
13	GB/T5789-1986	Bolt	6
14	JF168FJH-5.03.01.01	Plate 1 Driversion	1
15	GB/T5789-1986	Bolt	1
16	QJ168QDJ.06.02-01	Plate 2 Driversion	1
17	JF168FLH-M.06	Start pulling plate sets	1



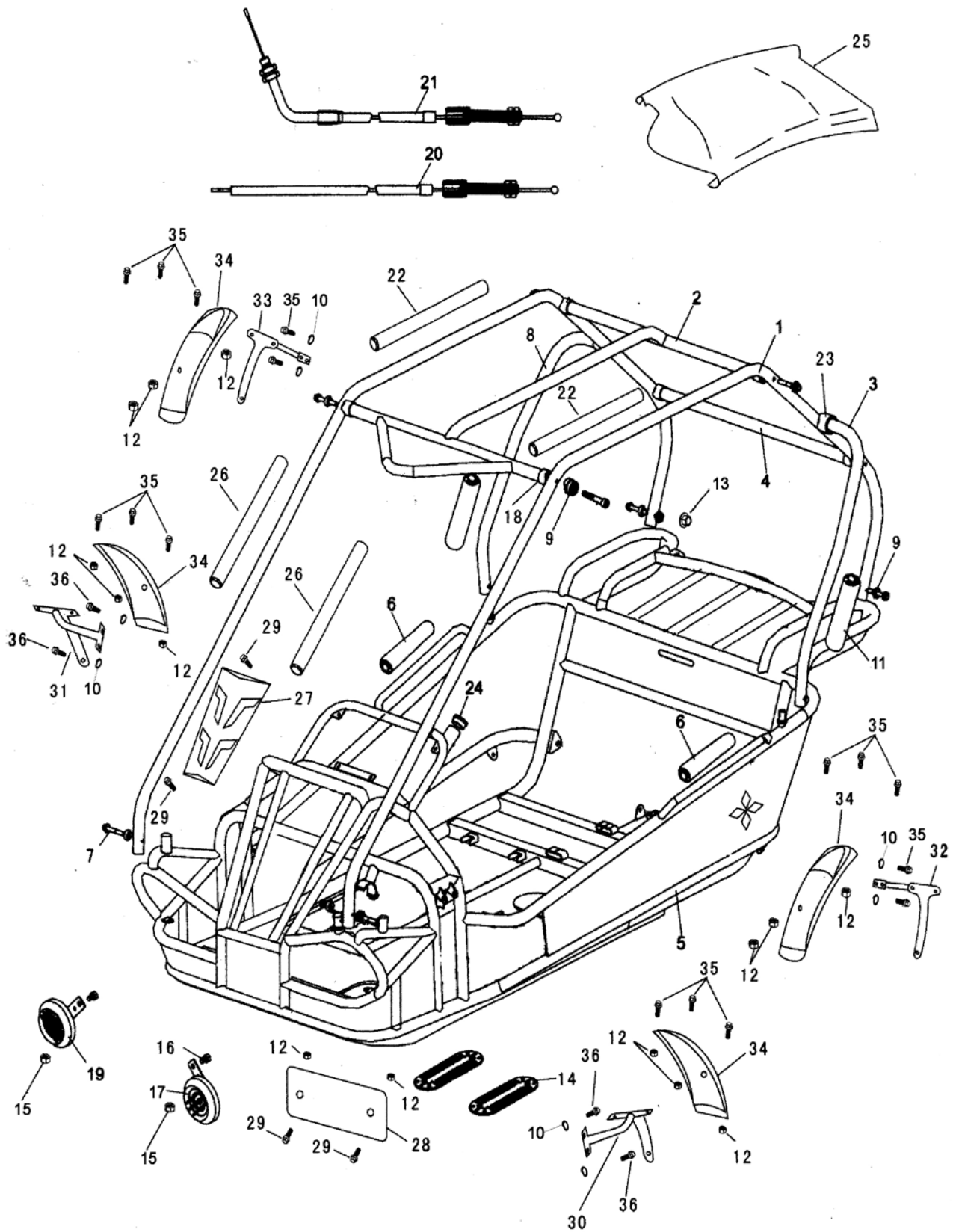
AIR CLEANER ASSY			
REF NO .	PART NO .	DESCRIPTION	REGD NO .
1	GB62-88	Nut	2
2	QJ168QDJ.07-04B	Cover,Filtering	1
3	ZJ168FJH.07.01.01-02	Seal	1
4	ZJ168FJH.07.01.01	Core,Filtering	1
5	ZJ168FJH.07.01-02	Bracket,Filtering	1
6	ZJ168FJH.07.01-03	Seal	1
7	QJ168QDJ.07.01	Cover,Upper Body	1
8	QJ168QDJ.07.03	Seal,Air Cleaner	1
9	QJ168QDJ.07-01	Colloid Pipe	1
10	QJ168QDJ.07B	AIR CLEANERASSY	1
11	QJ168QDL.05	MUFFLER ASSY	1
12	JF168FLH-8B.09	CARBURETOR ASSY	1
13	JF168FLH-8B.09-01	Bracket,choke cable comp	1



SWITCH ASSY,IGNITION				
REF NO .	PART NO .	DESCRIPTION	REGD NO .	
1	JF168FLH-8B.06.01	Stator comp	1	
2	QJ168QDJ.11.03	Ignitor coil assy	1	
3	GB/T5789-1986	Bolt M6X25	2	
4	JF168FJH-8B.06.02	Connecting Wire Assy	1	
5	JF168FJH-5.05.01	motor assy.starter	1	
6	168FJH-5.05.03	starting relay	1	
7	JF168FJH-5.05.03.01	wire,starting relay	1	
8	JF168FJH-5.01-01	wire,fixed board	1	

Fig 1

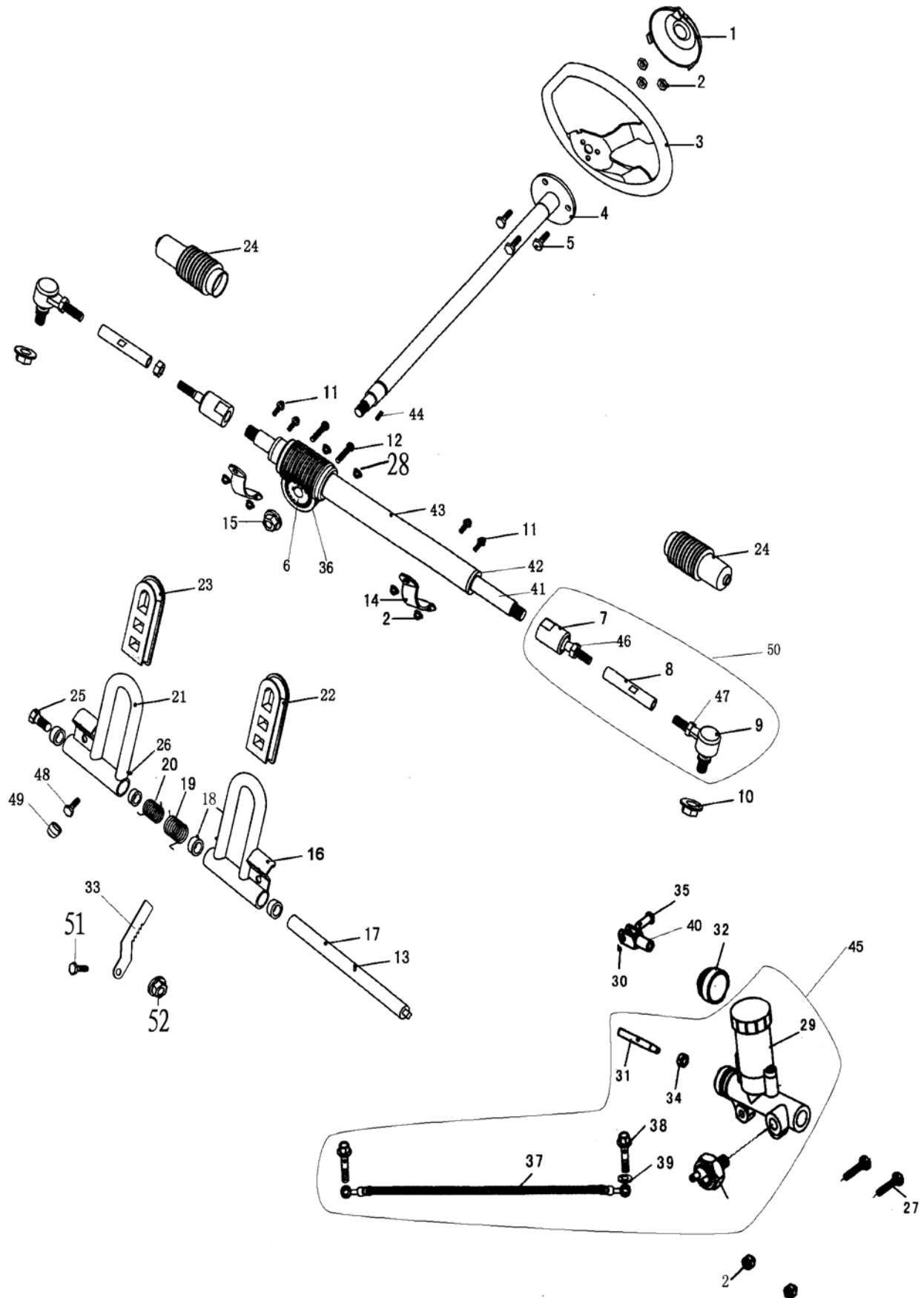
FRAME GROUP



CARBURETOR SYSTEM ASSY			
REF NO .	PART NO .	DESCRIPTION	REGD NO .
1-1	8.070.054	C.B.C.BARCAGE.(R.S.B)	2
1-2	6.060.300	C.B.C.CUSTOM CROSSBARTOP.FR(R.S.B)	1
1-3	8.070.055	C.B.C.CUSTOM J-BAR.LSIDE(R.S.B)	1
1-4	8.080.078	C.B.C.CUSTOM CROSSBARTOP.RR(R.S.B)	1
1-5	2.000.054	FRAME COMP.(R.S.B)	1
1-6	6.000.189	FOAM RADDING-1	2
1-7	GB5787 M8X50	BOLT M8x1.25x50	14
1-8	8.070.056	C.B.C.CUSTOM J-BAR.RSIDE(R.S.B)	1
1-9	8.010.047	R- WASHER	20
1-10	GB93 ϕ 6	SPRING WASHER ϕ 6	8
1-11	6.100.319	FOAM RADDING-4	2
1-12	GB6177 M6	NUT M6	14
1-13	GB6187 M8	NUT M8	6
1-14	7.020.045	RUBBER FOOLPLAIE	4
1-15	GB6170 M8	NUT M8	2
1-16	GB5789 M8X16	BOLT M8x1.25x16	2
1-17	6.000.136	HORN.L	1
1-18	7.010.017	TUBE SEAT 25	6
1-19	6.000.135	HORN.H	1
1-20	6.000.317	THROTTLE CABLE COMP.	1
1-21	6.130.134	CHOKE CABLE COMP	1
1-22	6.000.319	FOAM RADDING-2	2
1-23	7.110.018	TUBE SEAT 28	2
1-24	7.010.006	STEERINGSHAFT BUSH	1
1-25	6.000.320	BIKINI TOP	1
1-26	7.020.111	FOAM PADDING-3	2
1-27	9.131.192	DECORATION PLATE 1	1
1-28	8.020.221	DECORATION PLATE 2	1
1-29	GB5789 M6X20	BLOT M6X20	4
1-30	6.131.172	FRONT FENDER BRACKET,L	1
1-31	6.130.172	FRONT FENDER BRACKET,R	1
1-32	6.132.172	REAR FENDER BRACKET.L	1
1-33	6.133.172	REAR FENDER BRACKET,R	1
1-34	6.001.074	FENDER	4
1-35	GB5789 M6X16	BLOT M6X16	16
1-36	GB5789 M6X12	BLOT M6X12	4

Fig 2

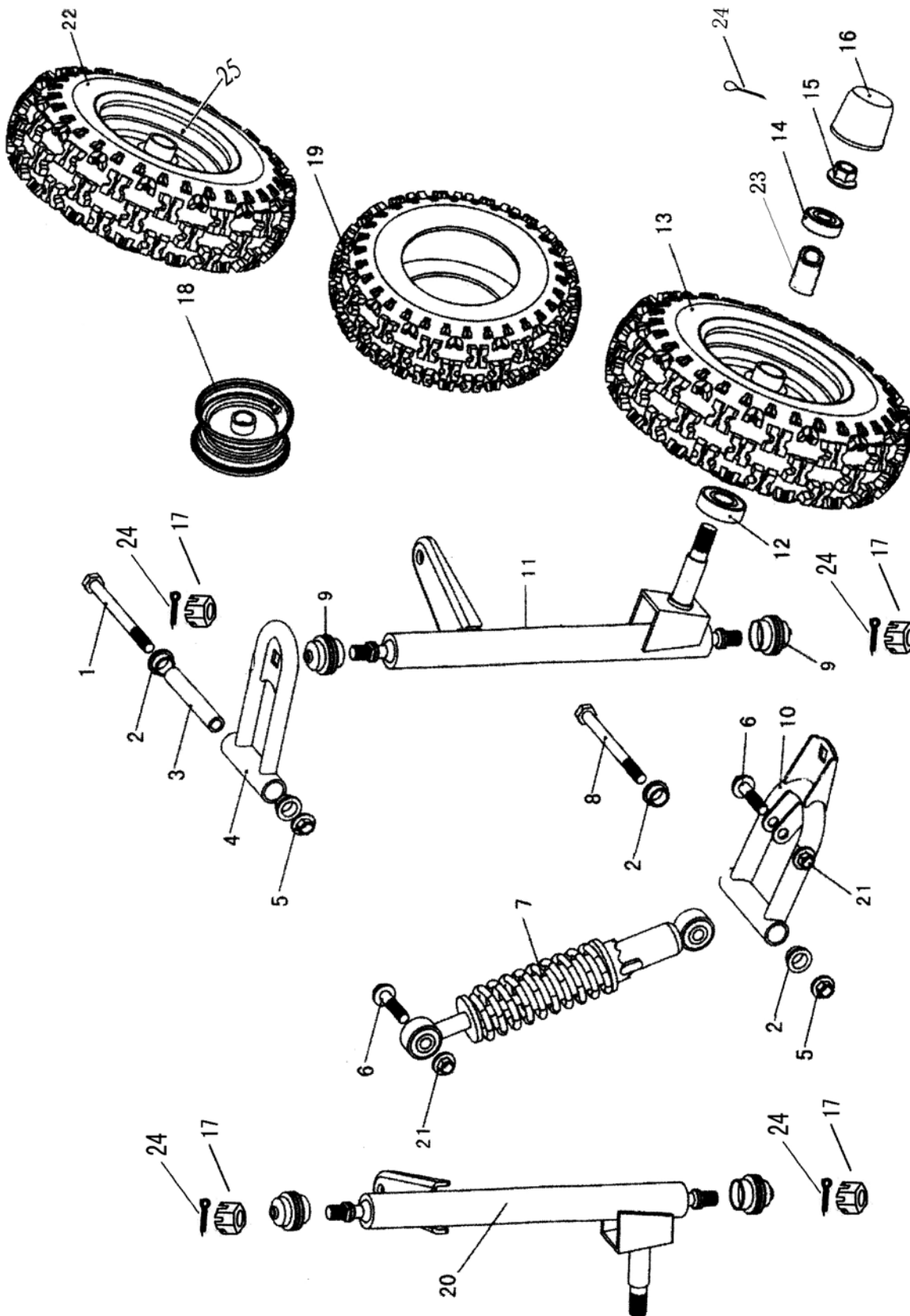
STEERING SHAFT ASSY



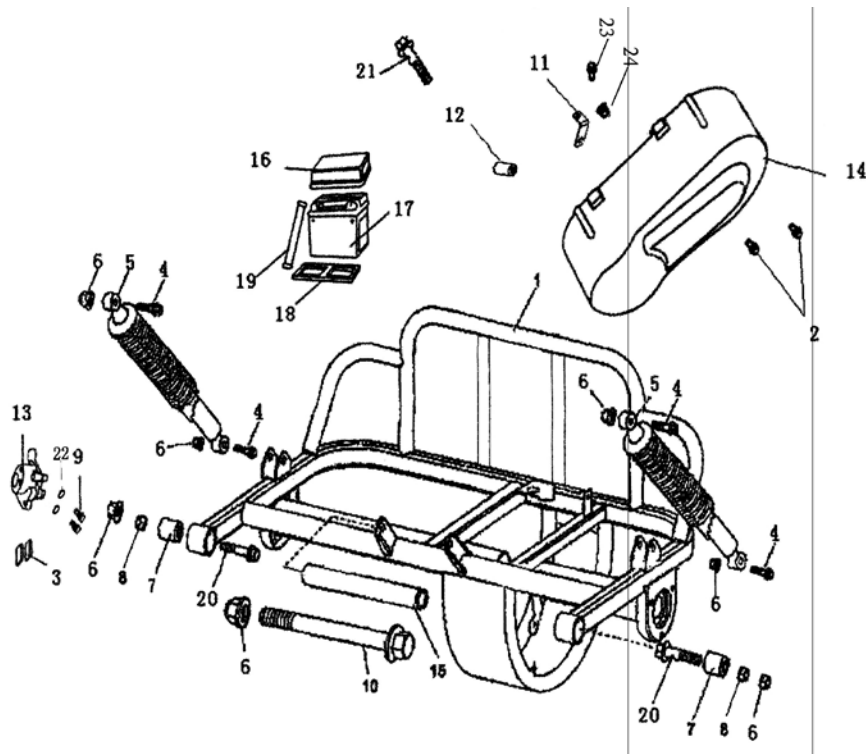
STEERING SHAFT ASSY				
REF NO .	PART NO .	DESCRIPTION	REGD NO .	
2-1	7.010.056	STEERING BOLT COVER	1	
2-2	GB6187 M6	LOCKING NUT M6	9	
2-3	7.020.057	STEERING WHEEL	1	
2-4	2.000.056	STEERING-SHAFT	1	
2-5	GB5783 M6X16	BOLT M6 x16	3	
2-6	8.010.131	STEERING GEAR	2	
2-7	6.000.180	STEERING BALL JOINT	2	
2-8	8.010.135	TIE ROD	2	
2-9	6.000.181	ROD END	2	
2-10	GB6187 M8	NUT M8	2	
2-11	GB5787 M6X20	BOLT M6 x20	4	
2-12	GB818 M5X12	BOLT M5 x12	2	
2-13	9.500.008	ROLL PIN ϕ 3 x 20	1	
2-14	8.020.130	STEERING GEAR BRACKET(R.S.B)	2	
2-15	9.820.010	LOCKING NYLON NUT M10	1	
2-16	4.000.044	BRALE PEDAL COMP.	1	
2-17	8.010.123	PEDAL BOLT	1	
2-18	7.010.003	PEDAL BUSH	4	
2-19	8.040.011	BRAKE PEDAL RETURN SPRING,R	1	
2-20	8.040.010	THROTTLE PEDAL RETURN SPRING,L	1	
2-21	9.500.218	THROTTLE PEDAL COMP	1	
2-22	7.020.043	BRAKE PEDAL PAD	1	
2-23	7.020.044	THROTTLE PEDAL PAD	1	
2-24	7.020.059	STEERING BALL JOINT DUST COVER	2	
2-25	GB70 M8X16	BLOT M8X16	1	
2-26	9.500.007	ROLL PIN ϕ 3 x 16	2	
2-27	GB5783 M6X25	BOLT M6X25	2	
2-28	GB97 ϕ 6	Flat washer ϕ 6	2	
2-29	6.000.305	MASTER CYLIND ER	1	
2-30	9.500.130	COTTER PIN	1	
2-31	6.000.306	CYIINDER ROD	1	
2-32	7.020.076	DUST COVER	1	
2-33	8.020.209	Stopping plate	1	
2-34	GB6170 M6	NUT M6	1	
2-35	9.700.628	LOCKING ROLL PIN	1	
2-36	4.010.001	Connecting device	1	
2-37	6.000.010	BRAKE HOSE ASSY	1	
2-38	9.700.004	bolt M10X24	2	
2-39	9.300.010	washer ϕ 10	4	
2-40	8.020.224	CYIINDER ROD BRACKET	1	
2-41	8.010.075	gear axle	1	
2-42	7.010.007	STEERING GEAR BUSH	2	
2-43	8.010.079	connecting pipe	1	
2-44	8.010.082	key 4x4x12	1	
2-45	6.000.000	Hydraulic brake assembly	1	
2-46	GB6170 M6	nut m6	2	
2-47	GB6170 M6(L)	nut m6(L)	2	
2-48	GB5782 M8X50	BOLT M8X50	1	
2-49	7.010.022	rubber food pedal stop	1	
2-50	8.000.002	TIE ROD ASSY	2	
2-51	GB5783 M8X18	BOLT M8X18	1	
2-52	GB6170 M8	NUT M8	1	

Fig 3

SUSPENSION ARM ASSY



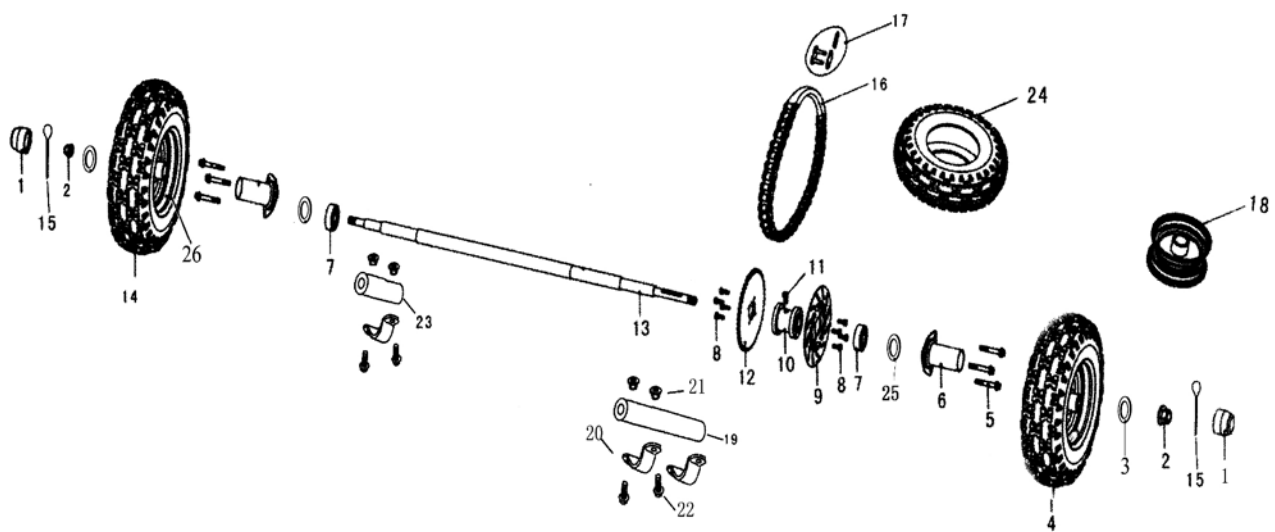
SUSPENSION ARM ASSY			
REF NO .	PART NO .	DESCRIPTION	REGD NO .
3-1	GB5789 M8 x 105	FLANGE BOLOT M8 x 1.25x 105	2
3-2	7.010.003	UPPER SUSPENSIONARM BUSH	8
3-3	8.010.015	UPPER SUSPENSIONARM COLLAR	2
3-4	4.000.047	UPPER SUSPENSIONARM	2
3-5	GB6187 M8	LOCKING FLANGE UNT.M8	4
3-6	GB5789 M10 x 40	FLANGE BOLT M10 x 40x1.25	4
3-7	6.100.325	CUSHION ASS Y.FR	2
3-8	9.708.145	FLANGE BOLT M8x1.25x145	2
3-9	7.020.061	BALL HEADDUST SEAL	4
3-10	4.000.041	LOWER SUSPENSION ARM ASSY	2
3-11	2.000.055	SPINDLE ANDSTRUT SUPPORT,R	1
3-12	6202-2RS	BEARING 6202	2
3-13	6.000.309	FRONT WHEELASSY.L.	1
3-14	6201-2RS	BEARING 6201	2
3-15	9.800.012	NUT M12	2
3-16	7.020.039	HUB COVER FR	2
3-17	9.800.010	NUT M10	4
3-18	6.100.310	RIM,FR	2
3-19	6.100.311	TIRE,FR 16X6-8	2
3-20	2.000.057	SPINDLE ANDSTRUT SUPPORT,L	1
3-21	GB6187 M10	LOCKING FLANGE M10X1.25	4
3-22	6.100.321	FRONT WHEELASSY.R.	1
3-23	8.010.084	Collar	2
3-24	9.500.230	COTTER PIN ϕ 2.5X30	6
3-25	7.190.018	Air valve	2



REAR SWING ARM			
REF NO .	PART NO .	DESCRIPTION	REGD NO .
4-1	4.000.045	REAR SWINGARM	1
4-2	GB5789 M6X12	FLANGE LOCKING NUT M6X12	2
4-3	7.020.016	RR. BRAKE PAD SET	1
4-4	GB5789 M10X40	FLANGE LOCKING BOLT M10X1.25X40	4
4-5	6.000.322	CUSHION ASSY. RR.	2
4-6	GB6187 M10	LOCKING NUT M10X1.25	7
4-7	7.020.077	BUSHING, SWINGARM ISOLATOR	2
4-8	GB6170 M10	NUT M10X1.25	2
4-9	GB70 M8X12	BOLT M8X12	2
4-10	9.110.180	BOLT M10X1.25X180	1
4-11	10201-80	DRIVE COVER PLASTIC BRACKET	1
4-12	10202-80	DRIVE COVER PLASTIC COLLAR	1
4-13	6.000.028	RR. CALIPER ASSY.	1
4-14	8.110.021-A	DRIVE COVER PLASTIC	1
4-15	8.146.066	SPANNER	1
4-16	7.010.028	BATTERY COVER	1
4-17	6.000.085	BATTERY 12V 6.5AH	1
4-18	7.020.020	LOWER BATTERY CUSHION	1
4-19	7.020.023	BATTERY STRAP	1
4-20	GB5789 M10X68	FLANGE LOCKING M10X1.25X68	2
4-21	GB5789 M8X55	FLANGE LOCKING M8X55	1
4-22	GB93 φ8	SPRING WASHER φ8	2
4-23	GB5789 M6X20	BOLT M6X20	1
4-24	GB6187 M6	NUT M6	1

Fig 5

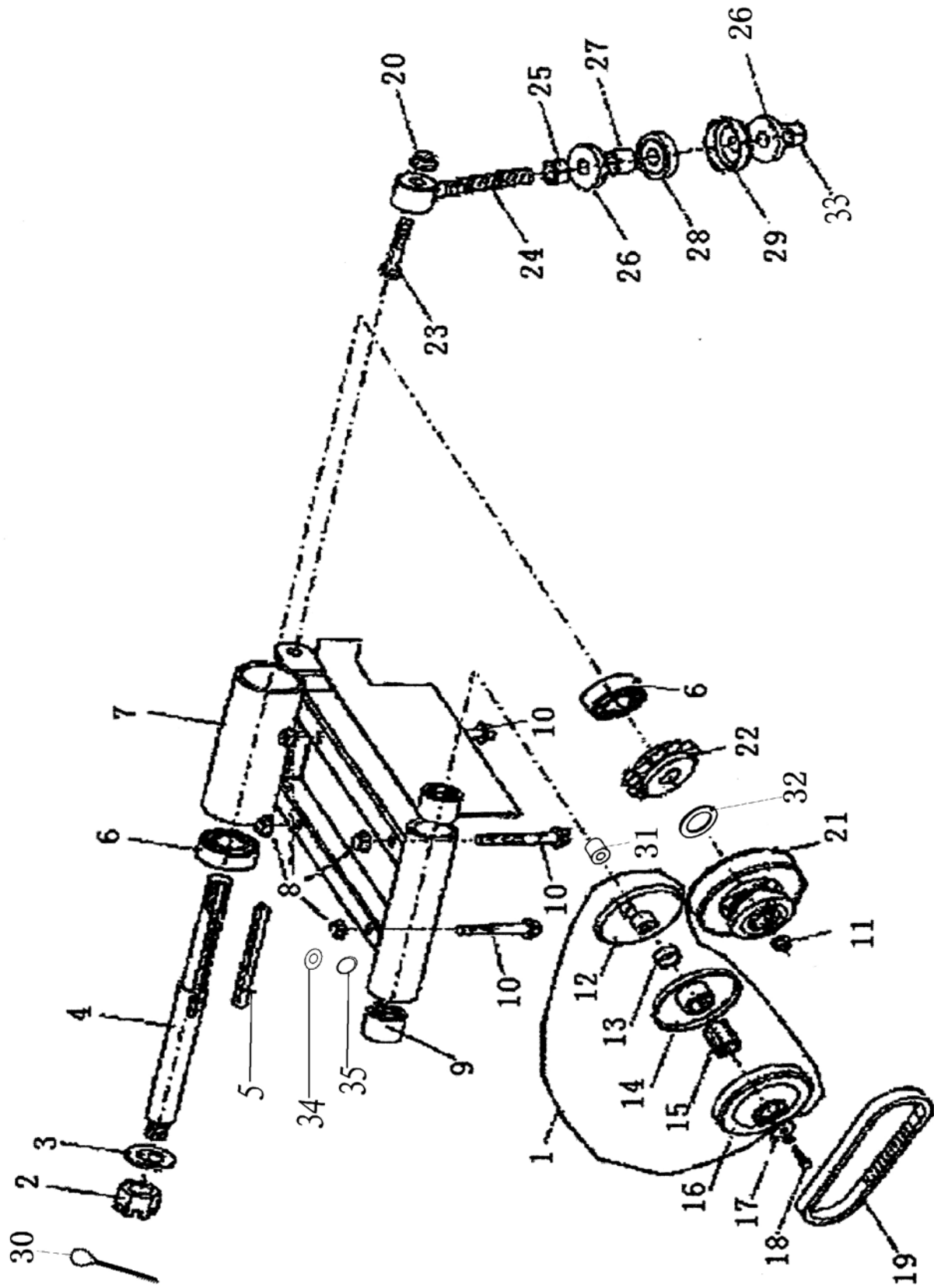
REAR HOUSING



REAR HOUSING				
REF NO .	PART NO .	DESCRIPTION	REGD NO .	
5-1	7.020.039	HUB COVER,RR	2	
5-2	9.800.016	CASTLE NUT M16	2	
5-3	GB96 φ 16	WASHER φ 16	2	
5-4	6.000.315	REAR WHEELASSY R.	1	
5-5	GB5789 M8X16	FLANGE BOLT M8x1.25x16	6	
5-6	6.000.196	AXLE COVER	2	
5-7	6005-2RS	BEARING,6005	2	
5-8	GB70 M8X20	FLANGE BOLT M8x20	8	
5-9	8.010.201	DISC BRAKE,RR	1	
5-10	8.010.202	REAR AXLE HUB	1	
5-11	9.110.025	BOLT M10x1.25x25	1	
5-12	8.010.200	REAR SPROCKET	1	
5-13	8.010.199	REAR AXLE	1	
5-14	6.000.316	REAR WHEELASSY L.	1	
5-15	9.500.330	COTTER PIN 3x40	2	
5-16	7.060.016	DRIVE CHAIN	1	
5-17	6.000.324	MASTER LINK	1	
5-18	6.100.333	RIM,RR	2	
5-19	9.010.012	PROTECTOR 2	1	
5-20	8.020.014	BRACKET.STEERING GEAR	3	
5-21	GB6187 M8	LOCKING FLANGE NUT.M8	6	
5-22	GB5787 M8X25	BOLT M8X25	6	
5-23	9.010.011	PROTECTOR 1	1	
5-24	7.020.078	REAR TIRE 16x7-8	2	
5-25	7.090.001	WASHER φ 45X35.5X2	2	
5-26	7.190.018	Air valve	2	

Fig 6

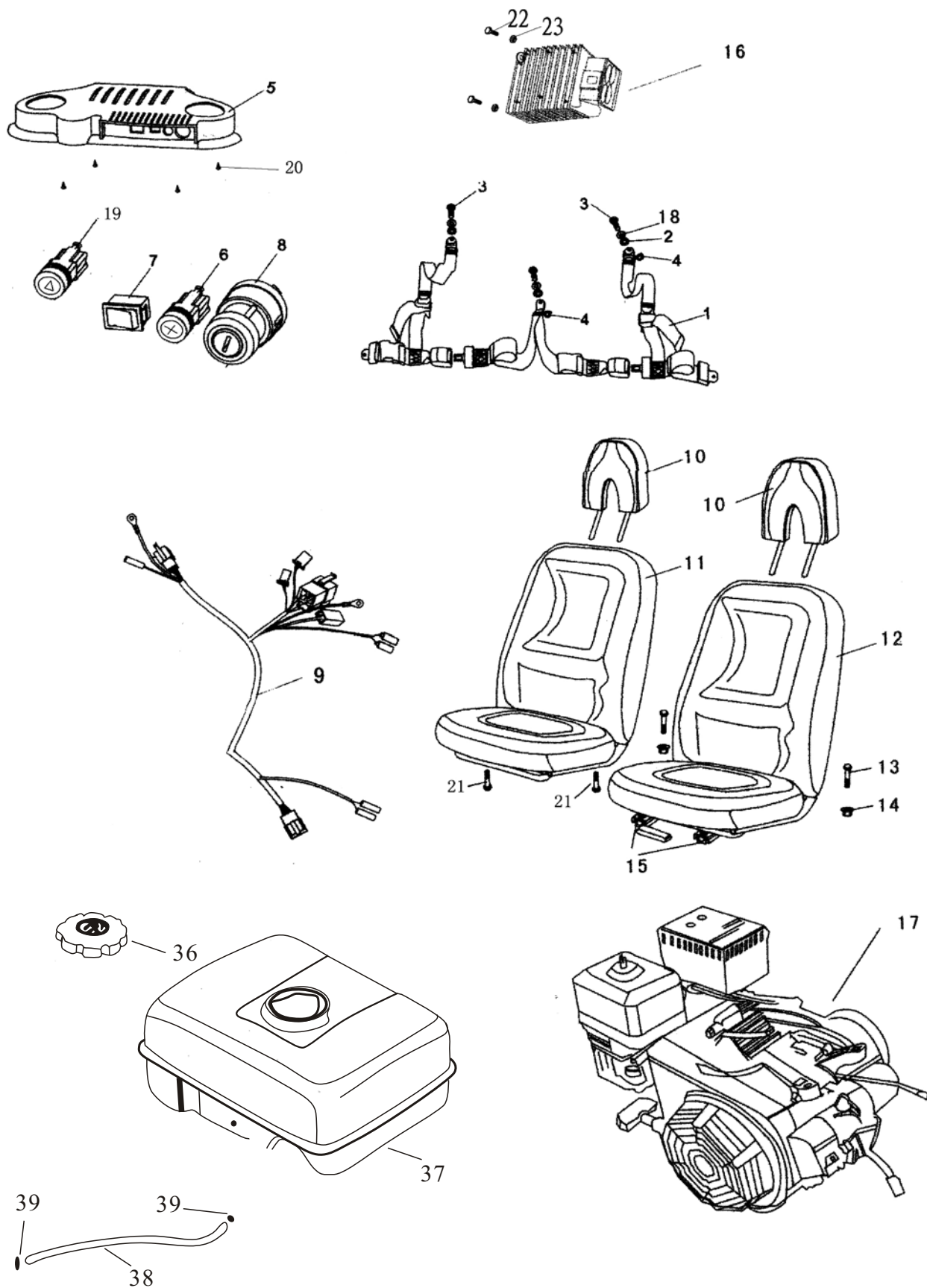
CLUTCH ASSY



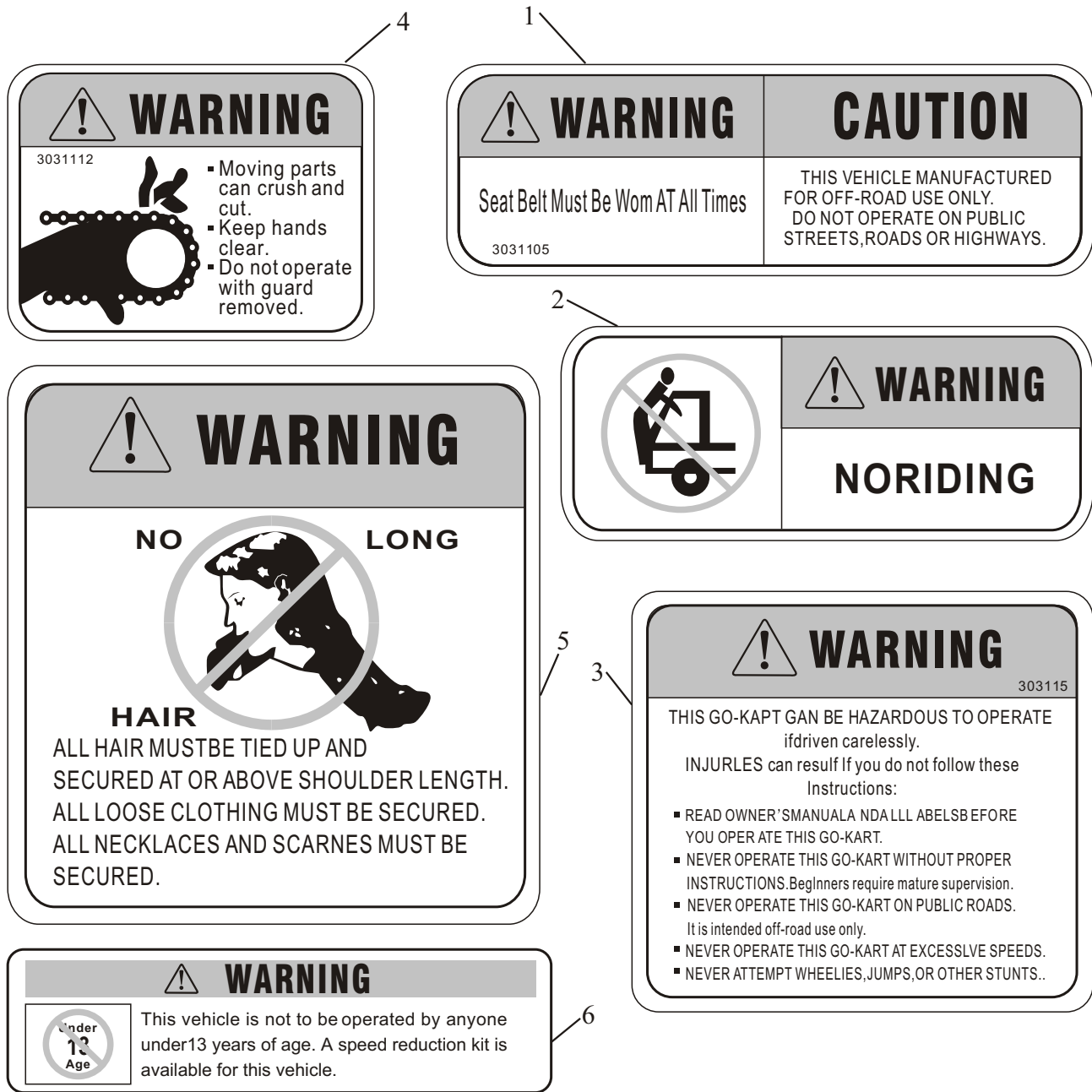
CLUTCH ASSY			
REF NO .	PART NO .	DESCRIPTION	REGD NO .
6-1	9.500.001	FRONT CLUTCH80T	1
6-2	9.800.014	CASTLE NUT M14X1.5	1
6-3	GB97 ϕ 14	WASHER ϕ 14	1
6-4	8.011.057	SHAFT, SPROCKET & DRIVE PULLEY	1
6-5	8.010.027	KEY 5X5X85	1
6-6	6004-2RS	BEARING 6004	2
6-7	8.000.001	ENGINE MOUNTING PLATE-METALLIC	1
6-8	GB6187 M8	FLANGE LOCKING NUTM8	4
6-9	7.020.077	BUSHING	2
6-10	GB5787 M8X55	BOLT M8X55	4
6-11	GB6187 M16	LOCKING NUT M16X1.5	1
6-12	8.146.098	SHEAVE, STATIONARY	1
6-13	8.146.099	BUSHING	1
6-14	8.147.000	SHEAVE, MOVEABLE	1
6-15	8.147.001	HUB	1
6-16	8.147.002	DRUM	1
6-17	9.300.008	BUSHING BOLCK	1
6-18	GB5787 M8X40	BOLT, M8X40	1
6-19	9.100.018	BELT	1
6-20	GB6187 M10	FLANGE LOCKING NUTM10X1.25	1
6-21	9.500.010	DRIVEN PULLEY	1
6-22	8.011.077	SPROCKET, 10T DRIVEN	1
6-23	GB5789 M10X40	BOLT M10X1.25X40	1
6-24	8.147.008	CHAIN ADJUSTER	1
6-25	GB6170 M12	NUT M12X1.25	1
6-26	8.010.042	WASHER-CHAIN ADJUSTER(ϕ 12X ϕ 35X6)	2
6-27	8.010.041	BUSHING-CHAIN ADJUSTER	1
6-28	7.020.001	CAP WASHER-CHAINADJUSTER	1
6-29	8.020.045	BOTTOM CAP WASHER-CHAINADJUSTER	1
6-30	9.500.330	COTTER PIN ϕ 3x30	1
6-31	8.010.094	COLLAR ϕ 30X ϕ 20X12.5	1
6-32	8.020.235	WASHER - DRIVEN PULLEY	1
6-33	GB6187 M12	NUT M12X1.25	1
6-34	GB97 ϕ 8	WASHER ϕ 8	4
6-35	GB93 ϕ 8	SPRING WASHER ϕ 8	4
6-36		FUEL FILLER CAP COMP.	1
6-37	6.000.145	FUEL TANK COMP.	1
6-38	7.020.030-80	FUEL TUBE	1
6-39	8.040.009	TUBE CLIP	1

Fig 7

WIRE HARNESS/ELECTRICAL/SEAT/ENGINE



WIRE HARNESS/ELECTRICAL/SEAT/ENGINE				
REF NO .	PART NO .	DESCRIPTION	REGD NO .	
7-1	6.000.328	SAFETY BELT	1	
7-2	9.700.002	BELT WASHER 12	3	
7-3	9.700.001	SPECIAL BOLT M7/16 X28	3	
7-4	9.700.003	BELT NUT M7/16	3	
7-5	7.010.076	SWITCH PANEL COVER	1	
7-6	6.000.164	ENGINE STOP BUTTON	1	
7-7	6.000.133	HORN BUTTON	1	
7-8	6.000.165	POWER ON SWITCH	1	
7-9	6.000.313	WIRE HARNESS	1	
7-10	6.000.329	HEAD-REST	2	
7-11	6.000.330	SEAT COMP.R	1	
7-12	6.000.331	SEAT COMP.L	1	
7-13	9.910.841	BOLT STRAP M8X1.25X45	2	
7-14	GB6177 M8	FLANGE NUT M8	2	
7-15	6.000.057	SEAT RALL SET	1	
7-16	6.100.167	RECTIFIER COMP.REGULATE	1	
7-17	7.160.012	ENGINE COMP.	1	
7-18	7.060.022	LOCKING WASHER	3	
7-19	6.000.200	ELETRIC STARTER BUTTON	1	
7-20	GB2823 ST4.2X13	BOLT ST4.2X13	4	
7-21	GB5787	BOLT STRAP M8X1.25X40	2	
7-22	GB5789	bolt M6X16	2	
7-23	Gb6187	NUT M6	2	



WARNING STICKERS ASSY			
REF NO .	PART NO .	DESCRIPTION	REGD NO .
8-1	14-1201-00	LABEL SEAT BELT	1
8-2	14-1202-00	LABEL NO CLIMBING	1
8-3	14-1203-00	LABEL WARNING OPERATION	1
8-4	14-1204-00	LABEL CHAIN GUARD	1
8-5	14-1205-00	LABEL NO LONG HAIR	1
8-6	14-1206-80	LABEL AGE	1
8-7			
8-8	14-1207-80	OWNER'S MANUAL	1