

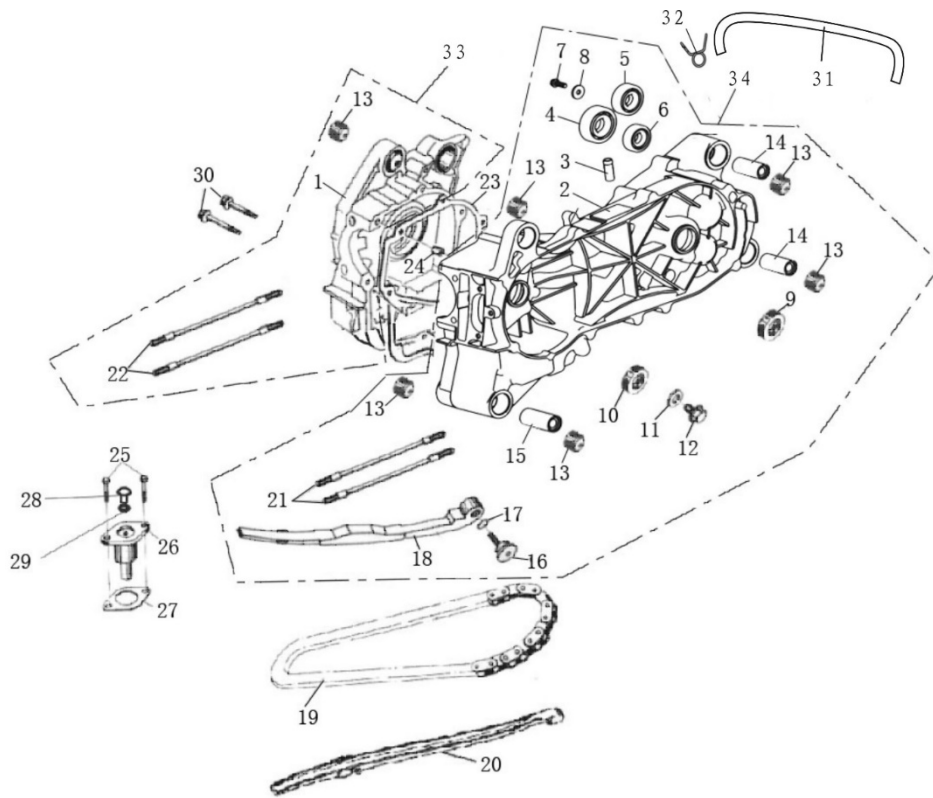


**TRAILMASTER  
BLAZER200 BLAZER200X  
BLAZER200EX  
PARTS MANUAL**

**VERSION:1.0**

**05/18/2022**

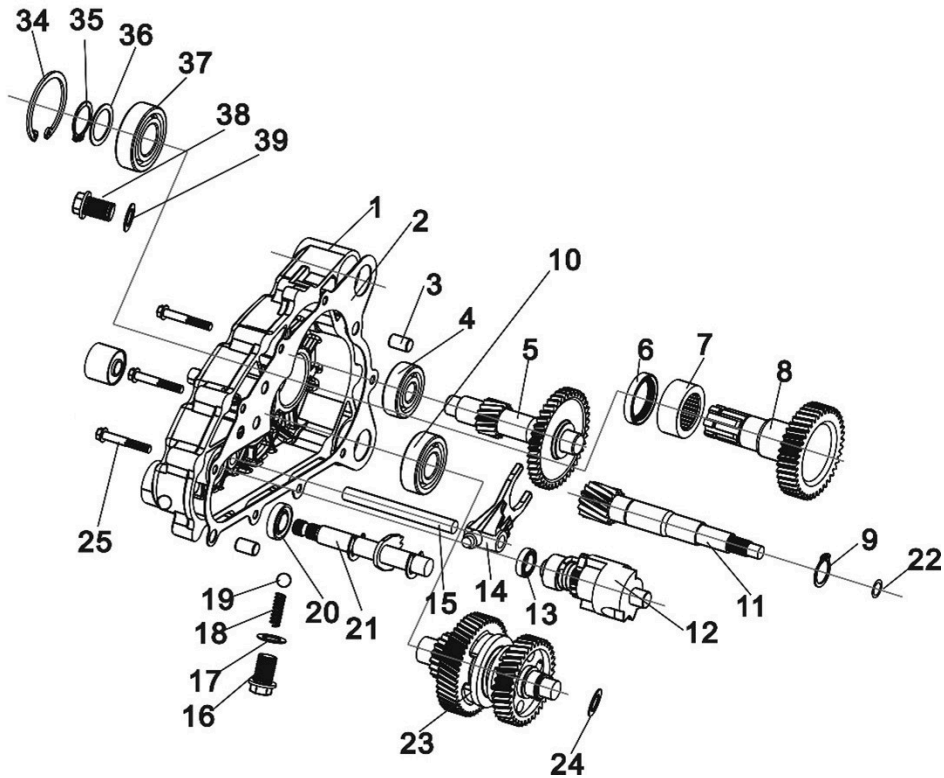
EN-FIG 1: ENGINE CASE COMP.



NO.	CODE	DESCRIPTION	QTY.
1	161QMK-A-1-203	RIGHT CASE BODY	1
2	157QMJ-B2-1-101	LEFT CRANKCASE BODY	1
3	157QMJ-B2-1-102	AIR TUBE CONNECTOR	1
4	GB/T 276 6204	BEARING 6204	1
5	GB/T 276 6203	BEARING 6203	1
6	GB/T 276 6202	BEARING 6202	1
7	GB/T16674 M6×14	BOLT GB/T16674 M6×14	1
8	1PE40QMB.14-03	WASHER 6	1
9	52T-5-3012	OIL SEAL 20×32×6	1
10	52T-1-111	OIL SEAL 19.8×30×5	1
11	52T-1-107	WASHER 12×18×1	2
12	52T-1-122	DRAIN PLUG	2
13	52T-1-103	DAMPING BUSHING	5
14	157QMJ-B2-1-123	COLLAR 42	2
15	157QMJ-B2-1-124	COLLAR 50	1
16	52T-1-116	SCREW	1
17	52T-1-117	O-RING 16X1.5	1
18	52T-1-115	CHAIN PULL ROD	1
19	152MI-2.0.4	TIMING CHAIN	1
20	52T-1-118	AIR DISTRIBUTION CHAIN GUIDE	1
21	152QMI-A-1-108	DOUBLE-END BOLT M8×209	2
22	152QMI-A-1-201	DOUBLE-END BOLT M8×201	2

23	52T-1-113	RIGHT CASE GASKET	1	
24	52T-1-112	PIN 8X14	2	
25	GB/T 16674 M6×22	BOLT M6X22	2	
26	52T-1-119	CHAIN TENSIONING COMP.	1	
27	52T-1-120	SPACER	1	
28	52T-1-11911	SCREW	1	
29	52T-1-11912	O-RING 9.5X1.5	1	
30	GB/T 16674 M6×50	BOLT M6X50	2	
31	157QMJ-B2-1-110	TRANSMISSION AIR TUBE	1	
32	157QMJ-B2-1-109	CLAP 11.5	1	

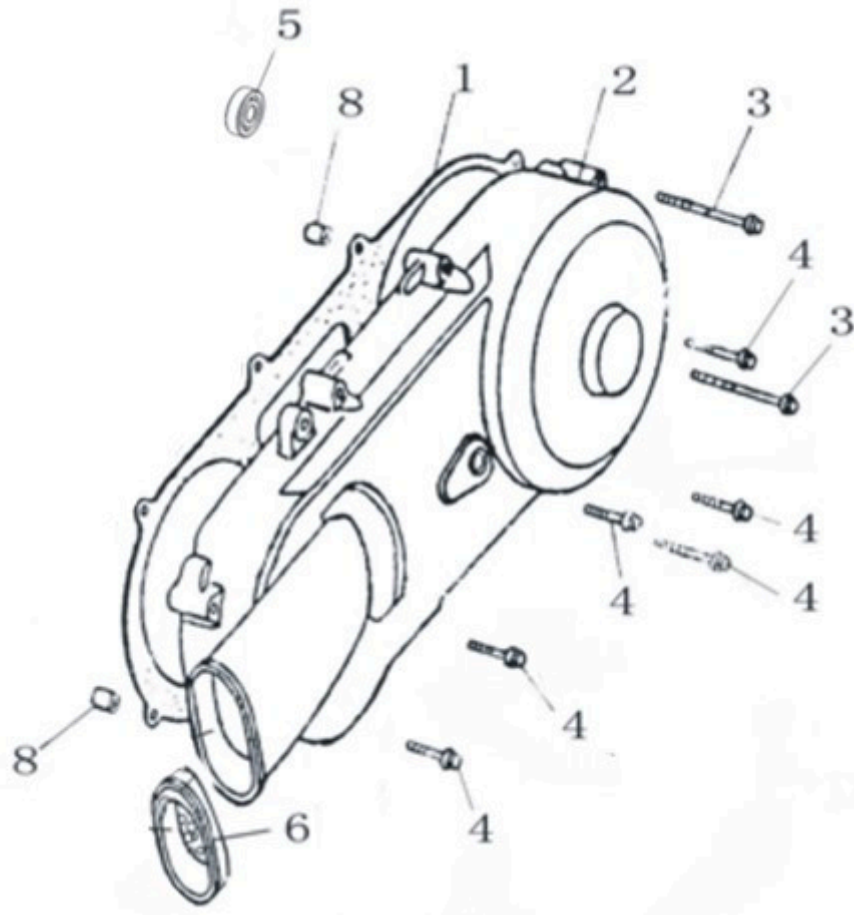
En-Fig 2: GEAR BOX ASSY.



NO.	CODE	DESCRIPTION	QTY.
1	157QMJ-B2-5-301	GEAR BOX COVER	1
2	157QMJ-B2-5-305	GEAR BOX COVER GASKET	1
3	52T-2-211	PIN	2
4	GB/T 276 6302	BEARING 6302	1
5	157QMJ-B2-5-303	REVERSE SHAFT	1
6	157QMJ-B2-5-308	OUTPUT SHAFT OIL SEAL	1
7	JB/T 3588 RNA4905	NEEDLE BEARING RNA4905	1
8	157QMJ-B2-5-304	OUTPUT SHAFT	1
9	GB/T 894.1	SNAP RING 20	1
10	GB/T 276 6204	BEARING 6204	2
11	157QMJ-B2-5-313	INPUT SHAFT	1
12	157QMJ-B2-5-311	SHIFTING DRUM	1
13	157QMJ-B2-5-325	SHIFTING DRUM SEAL	1
14	157QMJ-B2-5-309	FORK	1
15	157QMJ-B2-5-310	FORK SHAFT	1
16	157QMJ-B2-5-322	BOLT	1
17	157QMJ-B2-5-323	WASHER 14X22X1	1
18	157QMJ-B2-5-324	SPRING	1
19	GB/T 308 13/32	BALL 13/32	1
20	157QMJ-B2-5-317	SHIFTING SHAFT SEAL	1
21	157QMJ-B2-5-312	SHIFTING SHAFT	1

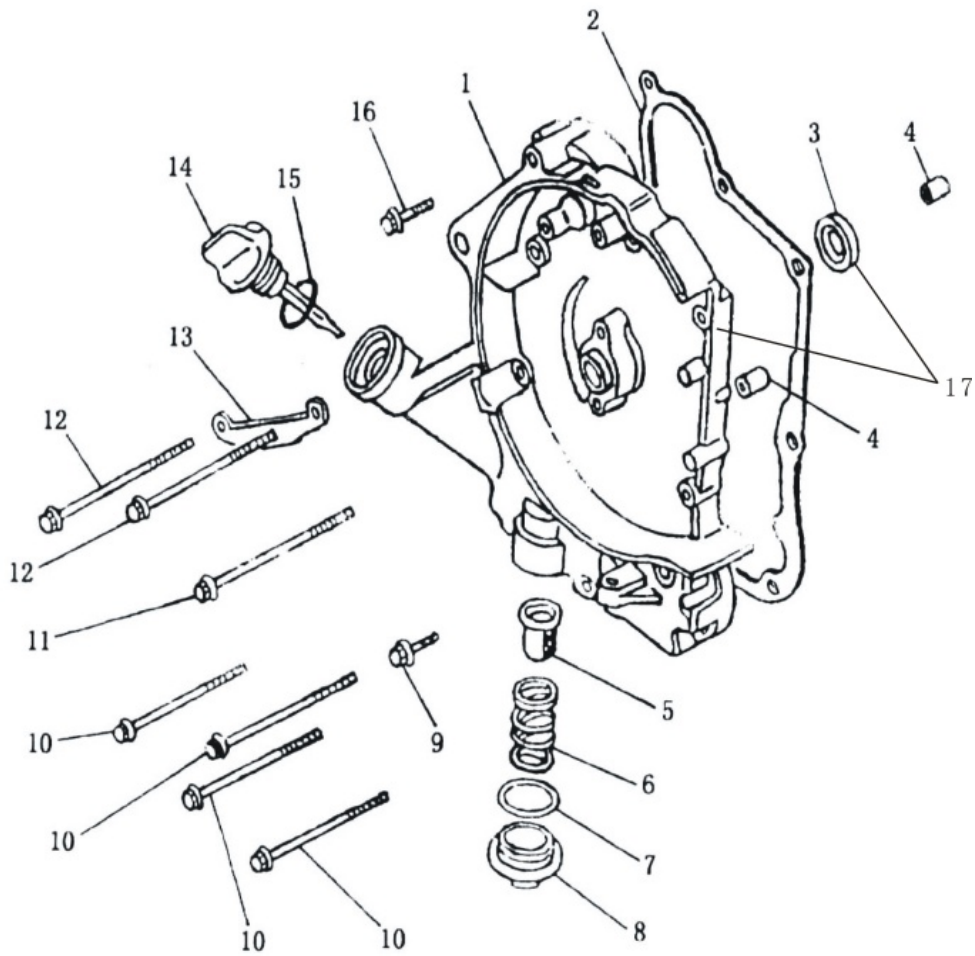
22	157QMJ-B2-5-318	O-RING 10X2.5	1	
23	157QMJ-B2-5-302	TRANSITION SHAFT	1	
24	157QMJ-B2-5-319	WASHER 15×19×1	1	
25	GB/T 16674 M6×40	BOLT M6×40	10	
34	GB/T 893.1 52	SNAP RING 52	1	
35	GB/T 894.1 25	SNAP RING 25	1	
36	157QMJ-B2-5-307	WASHER 25X33X1	1	
37	GB/T 276 6205	BEARING 6205	1	
38	152QMI-52T-1-122	DRAIN PLUG M12×1.5×14	1	
39	52T-1-107	WASHER 12X18X1	1	

**En-Fig 3: SIDE COVER COMP.**



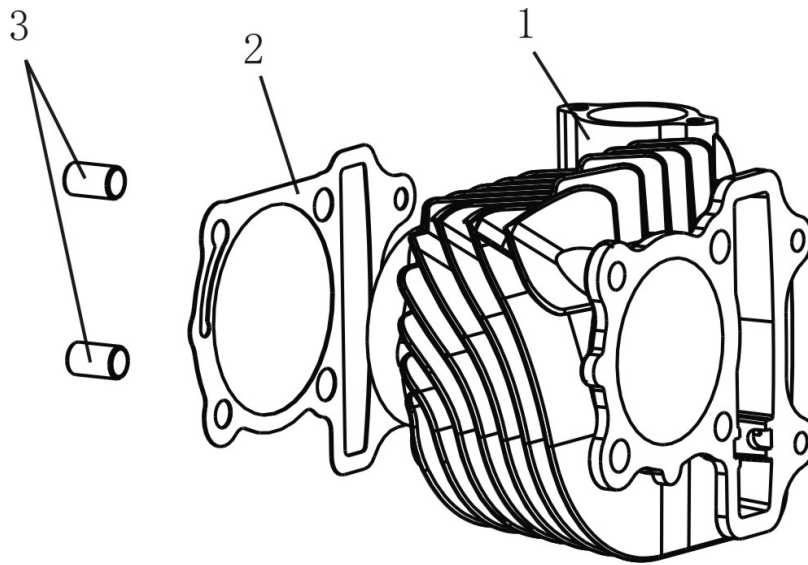
NO.	CODE	DESCRIPTION	QTY.	
1	52T-1-506	LEFT CRANKCASE COVER GASKET	1	
2	157QMJ-B2 -1-501	LEFT CRANKCASE COVER	1	
3	GB/T 16674 M6×65	BOLT M6×65	2	
4	GB/T 16674 M6×40	BOLT M6×40	6	
5	GB/T 276 6200-2RS	BEARING 6200	1	
6	52T-1-508A	AIR INTAKE COVER	1	
8	52T-1-112 ø8×14	PIN ø8×14	2	

**En-Fig 4: RIGHT COVER COMP.**



NO	CODE	DESCRIPTION	QTY
1	52T-1-401	RIGHT CASE COVER	1
2	52T-1-407	RIGHT CASE COVER GASKET	1
3	52T-1-111	CRANKSHAFT OIL SEAL 19.8×30×5	1
4	52T-1-112 φ8×14	PIN φ8×14	2
5	52T-1-403	OIL SCREEN	1
6	52T-1-404	OIL SCREEN SPRING	1
7	52T-1-405	O-RING 30.5X3	1
8	52T-1-402	OIL SCREEN SCREW PLUG	1
9	GB/T 16674 M6×32	BOLT M6×32	1
10	GB/T 16674 M6×95	BOLT M6×95	4
11	GB/T 16674 M6×100	BOLT M6×100	1
12	GB/T 16674 M6×110	BOLT M6×110	2
13	52T-1-409	MAGNETO WIRE CLIP	1
14	52T-1-406	OIL GAUGE	1
15	52T-1-408	O-RING 18X3	1
16	GB/T 16674 M6×35	BOLT M6×35	1

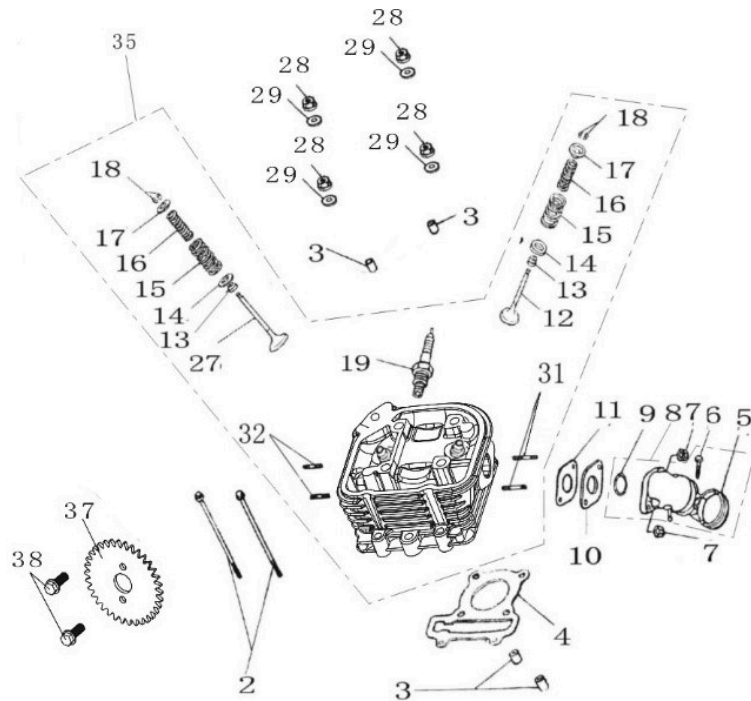
**En-Fig 5: CYLINDER ASSY.**



NO	CODE	DESCRIPTION	QTY.	
1	161QMK-A-2-501	CYLINDER	1	
2	161QMK-A-2-504	CYLINDER GASKET	1	
3	52T-2-211	PIN 10X16	2	



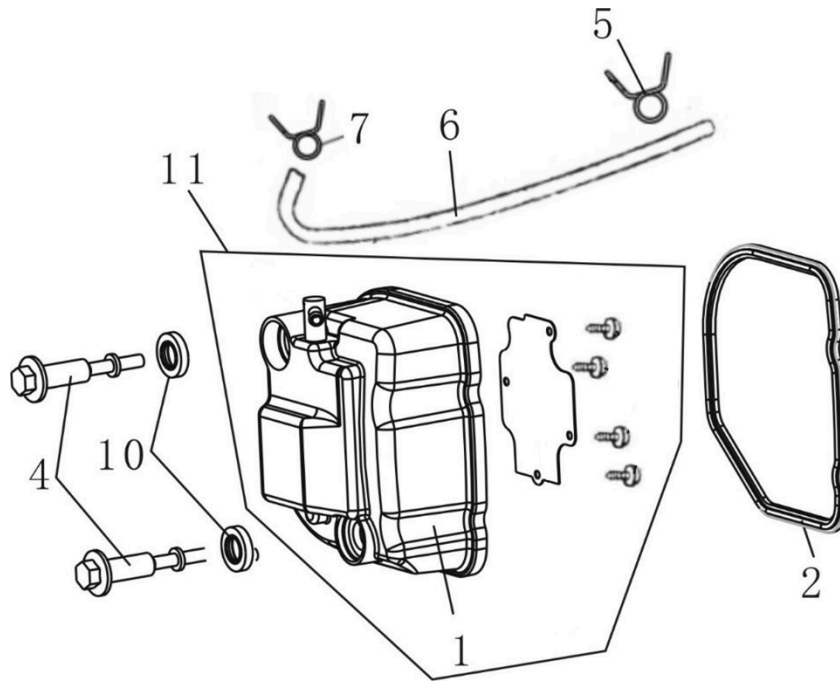
**En-Fig 6: CYLINDER HEAD COMP.**



NO	CODE	DESCRIPTION	QTY.
2	GB/T 16674 M6×100	BOLT M6×100	2
3	52T-2-211	PIN φ10×16	4
4	161QMK-A-2-210	CYLINDER HEAD GASKET	1
5	52T-2-215	INTAKE TUBE CLAMP	1
6	GB/T 818 M4×25	SCREW M4×25	1
7	GB/T 6177.1 M6	BOLT M6	2
8	52T-2-214	INTAKE TUBE ASSY.	1
9	GB/T 3452.1	O-RING 26.5×1.8	1
10	52T-2-213	CYLINDER HEAD RUBBER GASKET	1
11	52T-2-212	INSULATOR SPACER	1
12	152QMI-A-2-205	INTAKE VALVE	1
13	52T-2-203	VALVE OIL SEAL	2
14	52T-2-209	WASHER	2
15	152QMI-A-2-208	VALVE SPRING -INSIDE	2
16	152QMI-A-2-207	VALVE SPRING -OUTSIDE	2
17	52T-2-204	VALVE SPRING SEAT	2
18	52T-2-206	VALVE LOCKING CLAMP	4
19	52T-2-217	SPARK PLUG	1
20	52T-2-305	STOPPING PLATE	1

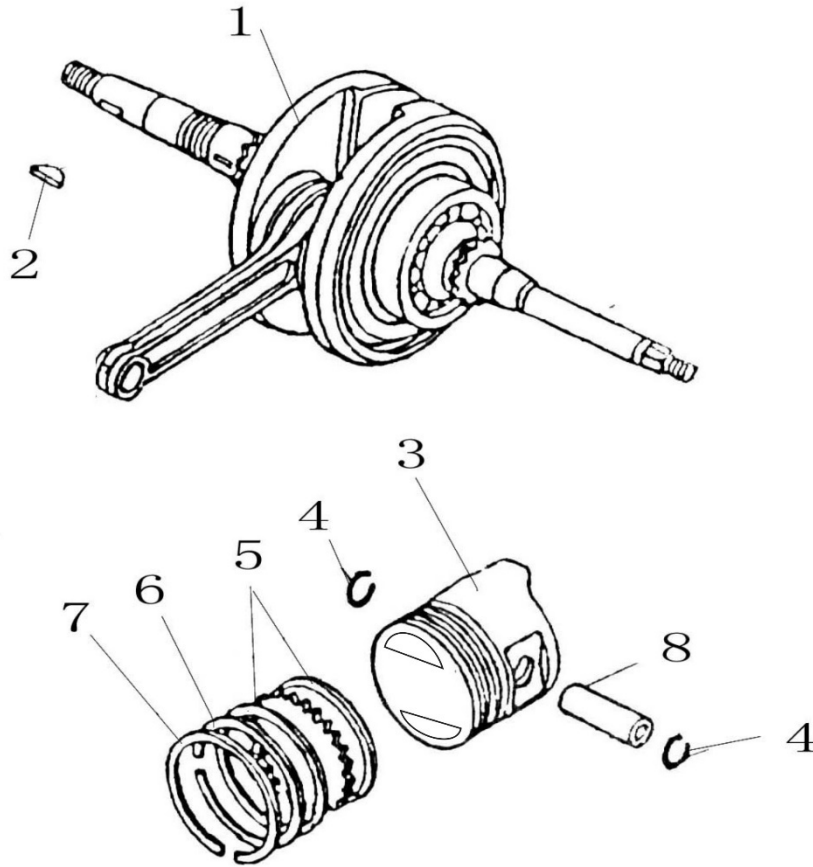
21	52T-2-3042	VALVE ADJUSTING NUT	2	
22	52T-2-3043	VALVE ADJUSTING SCREW	2	
23	152QMI-A-2-3041	VALVE ROCKET	2	
24	152QMI-A2-303	INTAKE VALVE ROCKET SHAFT	1	
25	152QMI-A-2-40	CAMSHAFT COMP.	1	
26	152QMI-A-2-302	EXHAUST VALVE ROCKET SHAFT	1	
27	152QMI-A-2-202	EXHAUST VALVE	1	
28	GB/T 6177.1 M8	BUT M8	4	
29	52T-1-121	WASHER 8	4	
30	152QMI-A-2-301	CAMSHAFT FIXING BRACKET	1	
31	52T-2-2017	DOUBLE-END BOLT M6X63	2	
32	161QMK-2-2013	DOUBLE-END BOLT M8X32	2	
33	152QMI-A-2-304	VALVE ROCKET COMP.	2	
35		CYLINDER HEAD ASSY.		
36	GB/T 893.1 35	SNAP RING 35	1	
37	152MI-A.02-17	TIMING SPROCKET	1	
38	GB/T 5783 M5×12	BOLT M5X12	2	

**En-Fig 7: CYLINDER HEAD COMP.**



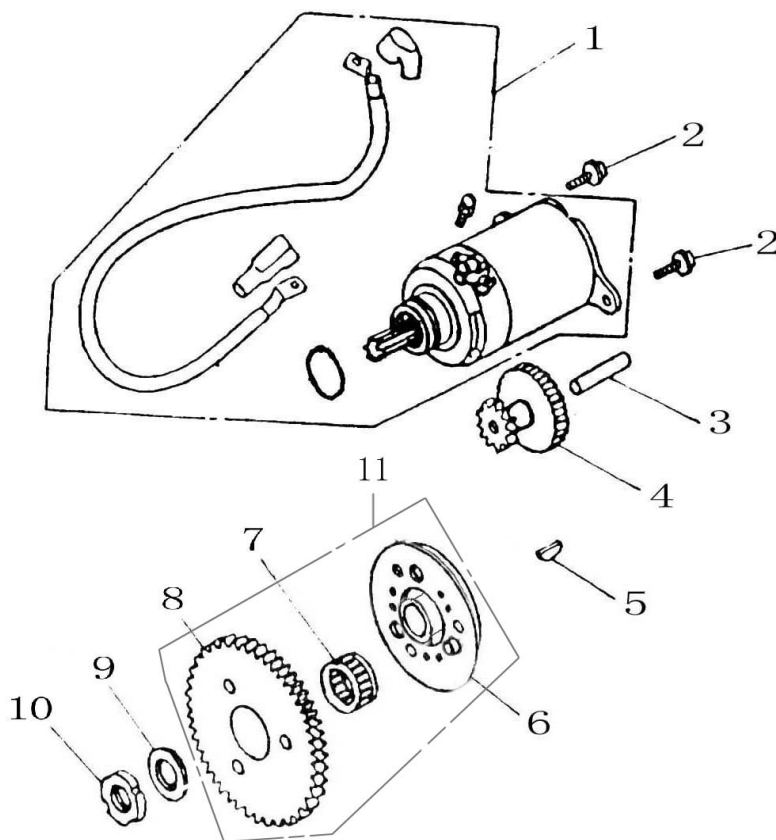
NO.	CODE	DESCRIPTION	QTY.	
1	152MI-A-2-101	CYLINDER HEAD COVER	1	
2	152MI-A-2-104	CYLINDER HEAD COVER GASKET	1	
4	152QMI-A -2-107	CYLINDER HEAD COVER BOLT	2	
5	52T-2-106	TUBE CLIP 1	1	
6	52T-2-105	INTAKE TUBE	1	
7	52T-2-103	TUBE CLIP 2	1	
10	152MI-A.01.01	CUSHION RING	2	
11	152MI-A-2-101-A	CYLINDER HEAD COVER ASSY.	1	

**En-Fig 8: CRANK SHAFT / PISTON COMP.**



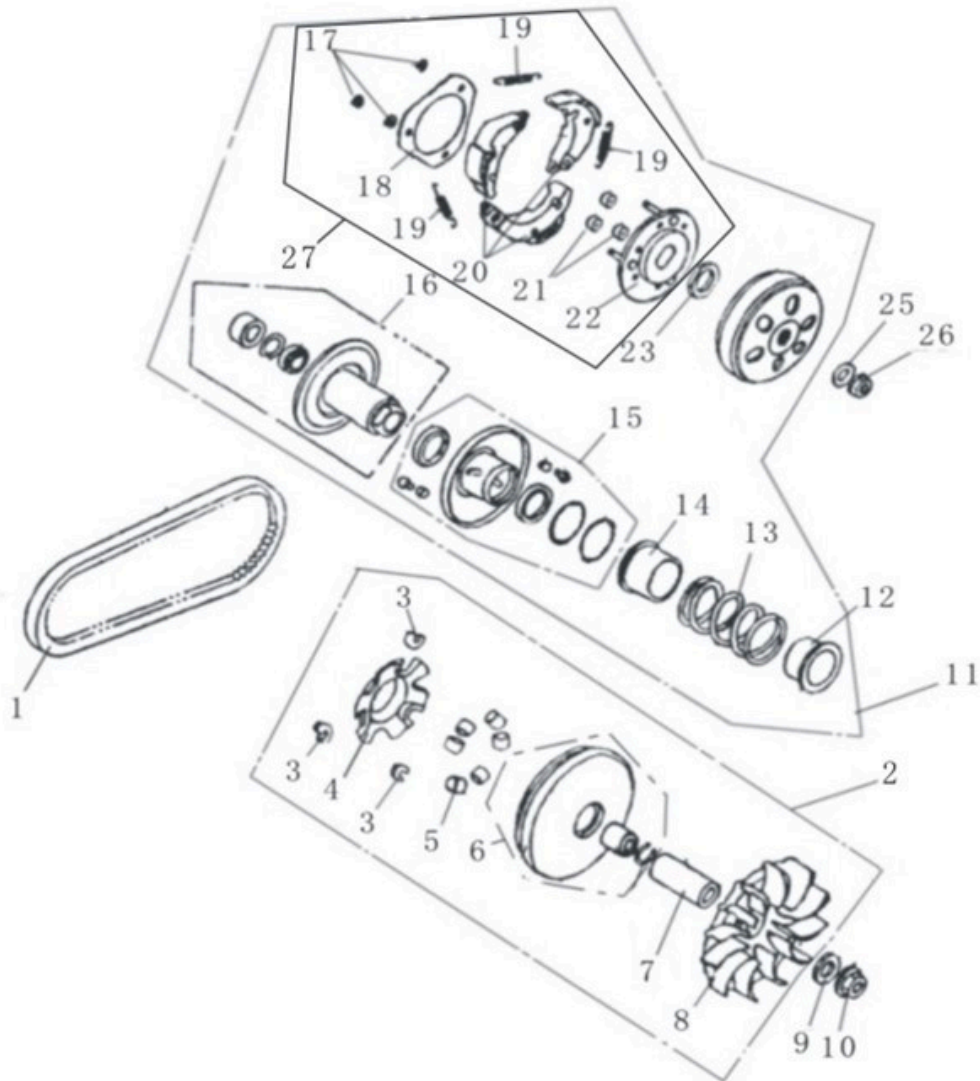
NO.	CODE	DESCRIPTION	QTY.	
1	157QMJ-B2-3-10	CRANK SHAFT	1	
2	52T-3-116	HALF-ROUND KEY	1	
3	161QMK-3-110	PISTON	1	
4	52T-3-115	PISTON PIN SNAP RING	2	
5	161QMK-3-113	PISTON RING 3	1	
6	161QMK-3-112	PISTON RING 2	1	
7	161QMK-3-111	PISTON RING 1	1	
8	161QMK-3-114	PISTON PIN	1	

**En-Fig 9: ELECTRIC START SYSTEM**



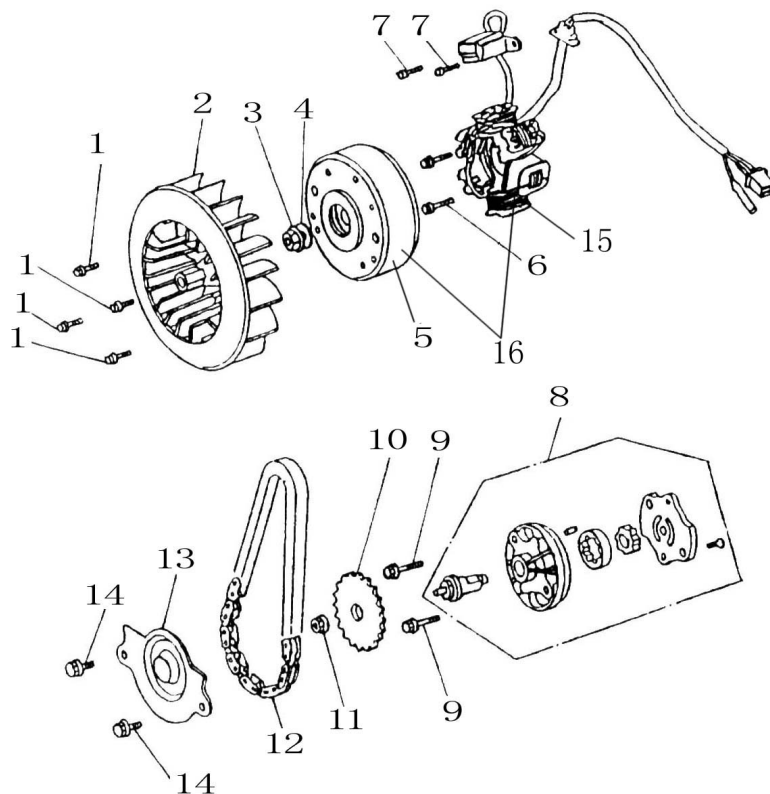
NO.	CODE	DESCRIPTION	QTY.	
1	52T-4-101	STARTING MOTOR	1	
2	GB/T 16674 M6×16	BOLT M6×16	2	
3	52T-4-102	ELECTRIC STARTING GEAR SHAFT	1	
4	52T-4-103	STARTING GEAR	1	
5	52T-3-116	HALF-ROUND KEY	1	
6	57-03-201A	OVER RUN CLUCH	1	
7	52T-3-204	NEEDLE BEARING	1	
8	57-03-202	OVER RUN GEAR	1	
9	52T-3-210	WASHER	1	
10	52T-3-209	LOCKING NUT SM22X1 LEFT	1	
11	57-03-20A	OVER RUN CLUTCH ASSY.	1	

**En-Fig 10: DRIVING/DRIVEN WHEEL/BELT COMP.**



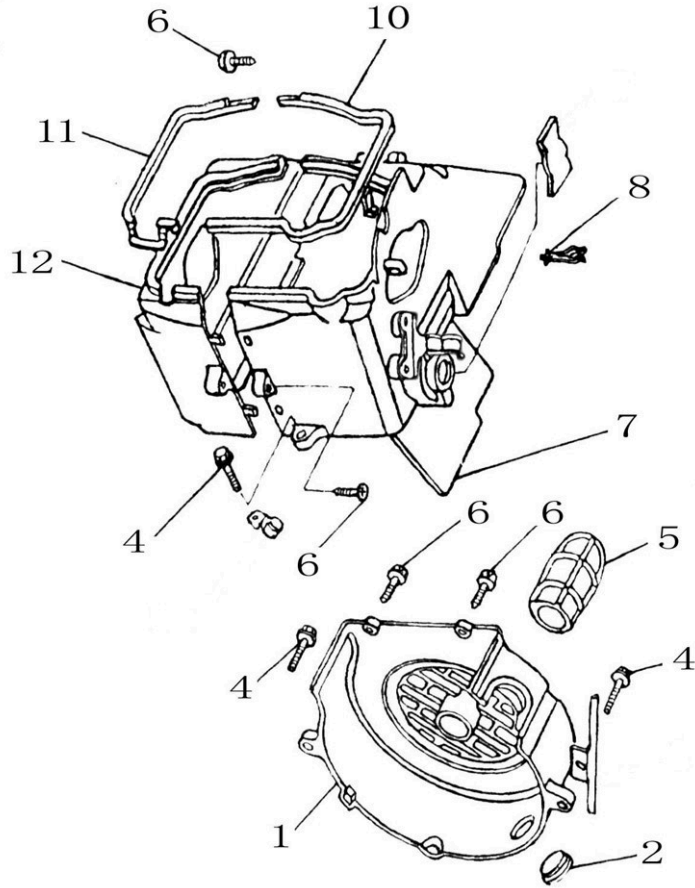
NO.	CODE	DESCRIPTION	QTY.
1	57-5-215	BELT	1
2	52T-5-10	DRIVING WHEEL COMP.	1
5			
8			
9	GB/T 97.1 12.3×29×2.5	WASHER 12.3×29×2.5	2
10	GB/T 6177.2 M12×1.25 H10	BOLT M12×1.25 H=10	1
11	52T-5-20	DRIVEN WHEEL COMP.	1
25			
26	GB/T 6177.2 M12×1.25 H8	BOLT M12×1.25 H=8	1

**En-Fig 11: MAGNETOR / OIL PUMP COMP.**



NO.	CODE	DESCRIPTION	QTY.
1	GB/T 16674 M6×18	BOLT M6×18	4
2	52T-10-20	FAN IMPELLER	1
3	GB/T 6177.2 M12×1.25 H10	BOLT M12×1.25 H=10	1
4	GB/T 97.112-14HV	WASHER 12-14HV	1
5	52T-10-102	MAGNETO FLYING WHEEL ASSY.	1
8	52T-1-30	OIL PUMP ASSY	1
9	GB/T 16674 M6×25	BOLT M6×25	2
10	52T-1-306	OIL PUMP SPROCKET	1
11	GB/T 6177.1 M6	NUT M6	1
12	52T-1-307	OIL PUMP CHAIN	1
13	52T-1-308	OIL PUMP COVER	1
14	GB/T 16674 M6×12	BOLT M6×12	2
15	52T-10-101	MAGNETO STATOR ASSY.AC6	1
	52T-10-101A	MAGNETO STATOR ASSY.DC8	1
	52T-10-101B	MAGNETO STATOR ASSY.DC11	1

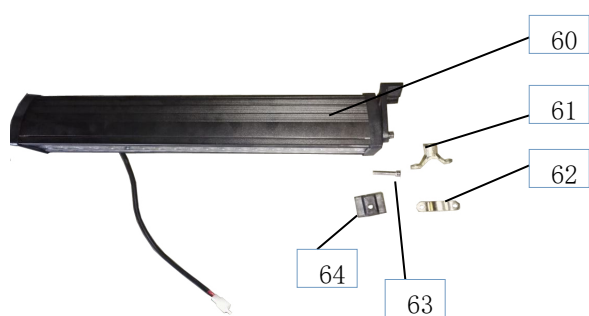
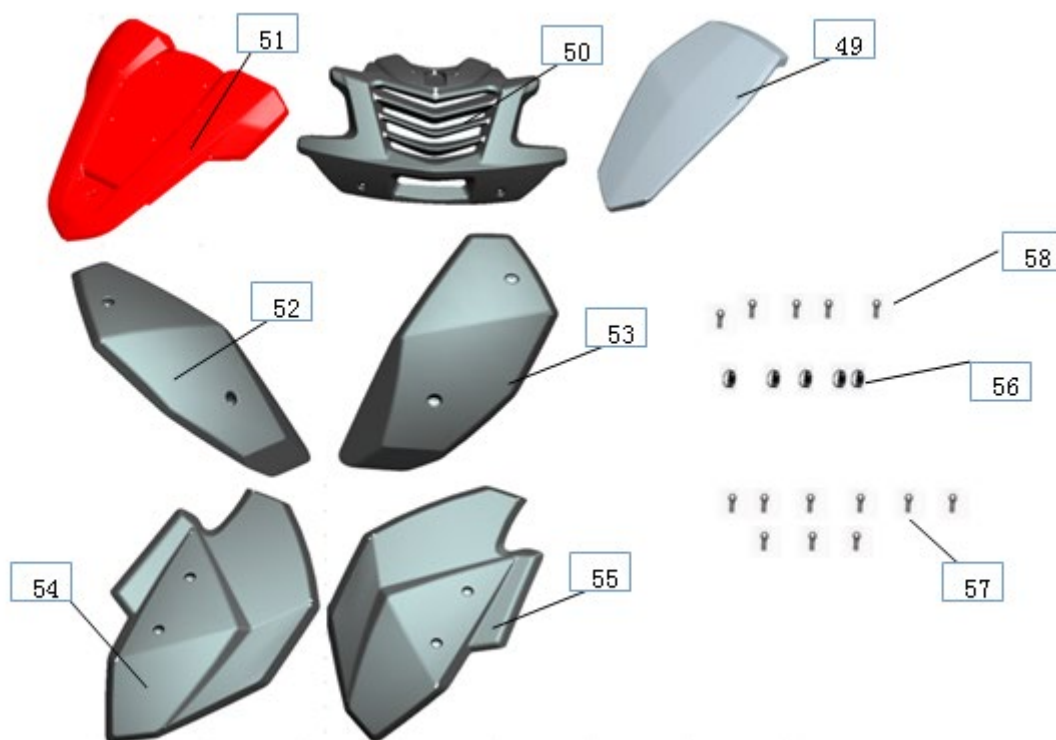
**En-Fig 12: FAN/ WIND GUIDE COVER**



NO.	CODE	DESCRIPTION	QTY.	
1	157QMJ-7-103	FAN VOLUTE ASSY.	1	
2	52T-7-1033	FAN COVER CAP	1	
4	GB/T 16674 M6×25	BOLT M6×25	3	
5	52T-7-1032	COOLING PIPE	1	
6	GB/T 9456 ST4.8×16-F-H	SCREW ST4.8×16-F-H	5	
7	152QMI-A-7-1012	WIND GUIDE COVER ASSY. UPPER	1	
8	52T-7-1014	HIGH-VOLTAGE CABLE CLIP	1	
10	52T-7-1011	UPPER SEAL	1	
11	52T-7-1022	LOWER SEAL	1	
12	152QMI-A-7-102	WIND GUIDE COVER ASSY. LOWER	1	





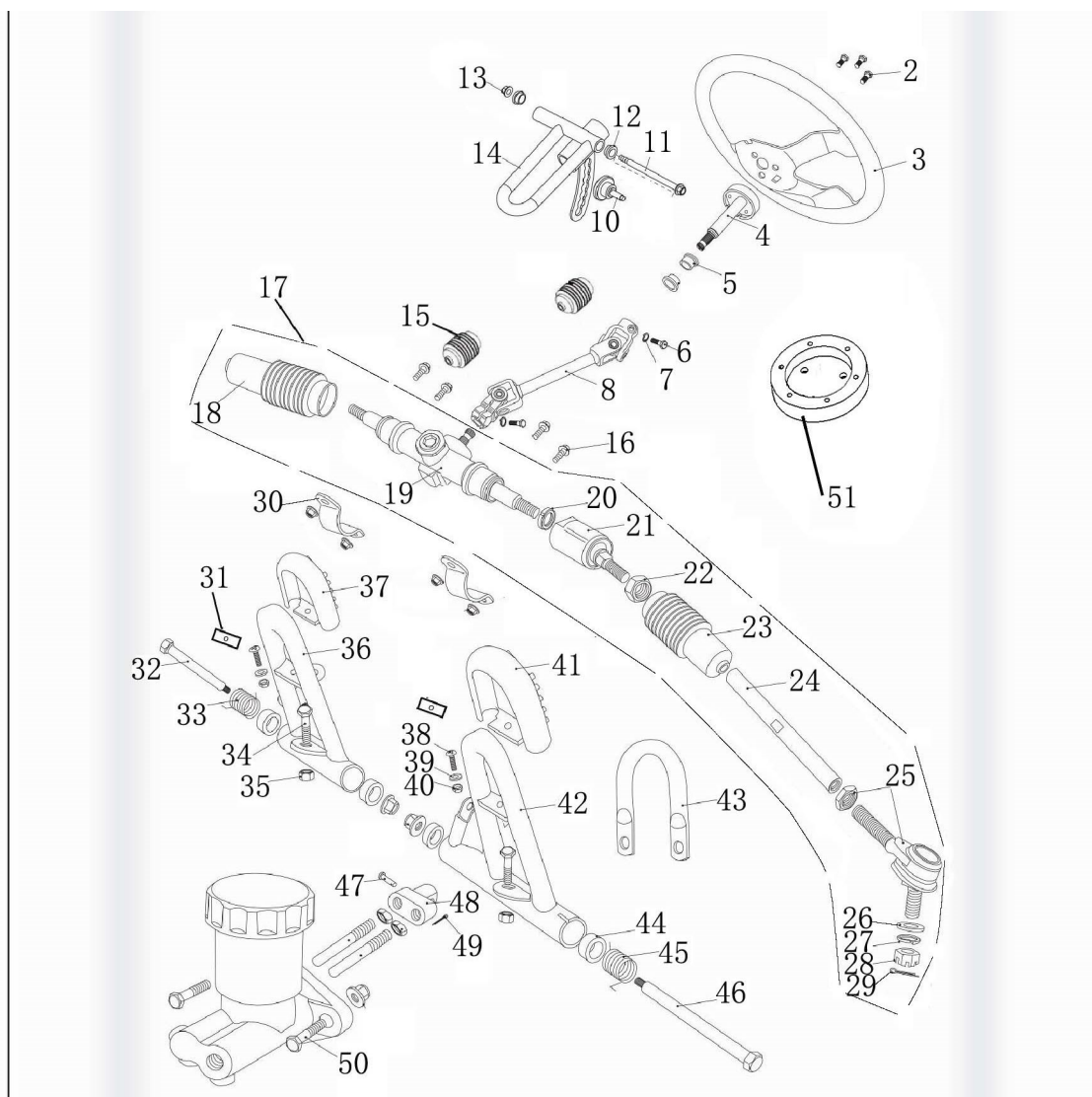


NO.	CODE	DESCRIPTION	QTY.	
1	8070064150GH02	LONG BAR	2	
2	6010062150GH00	TOP CAGE	1	
3	8010047250G000	R-WASHER	20	
4	57870805512505	BOLT 5787 M8X55	14	
5	7010016250G000	TUBE SEAT $\phi$ 32	2	
7	8070067150GH00	SIDE BAR	2	
8	61870800012505	NUT 6187 M8	6	
9	8070065150GH00	CROSS BAR	1	
10	7010017250G000	TUBE SEAT $\phi$ 25	6	
11	8070066150GHB1	FRAME	1	
12	57890601610005	BOLT 5789 M6X16	6	
13	61770600010005	NUT 6177 M6	6	
15	93000600000005	SPRING WASHER $\phi$ 6	4	

16	57890601410005	Bolt 5789 M6x14	4	
17	6100067150GH00	FRONT LEFT FENDER BRACKET	1	
18	6000232150G000	THROTTLE CABLE	1	
19	6013000300G000	REVERSE CABLE	2	
20	6000050150G000	PARKING BRAKE CABLE	1	
21	7020012250G000	RUBBER FOOT PLATE	2	
22	6000104150G001	HEADLIGHT UNIT LED	2	
23	61770800012505	NUT 6177 M8	2	
25	57890805012505	BOLT 5789 M8X50	2	
27	6000114250G000	FRONT REFLECTOR	2	
28	6100102150GH00	FRONT RIGHT FENDER BRACKET	1	
29	6000083250G000	FORM PADDING 1	2	
30	6000195150G000	Windshield padding	2	
31	6000300250G000	FORM PADDING TOP	2	
32	6100061250G000	CANOPY TOP	1	
33	81800503010005	SCREW 818 M5X30	1	
34	8010086250G000	REAR VIEW MIRROR MOUNT	1	
35	9040003250G000	REAR VIEW MIRROR O-RING	1	
36	6000084250G000	REAR VIEW MIRROR ASSY.	1	
37	6000156250G000	TURN LIGHT (FR)	1	
38	9090006150G000	TRUN LIGHT BULB 10W/12V	1	
39	6000155250G000	TURN LIGHT (FL)	1	
40	8005000250G000L	REAR VIEW MIRROR (L)	1	
41	8005000250G000R	REAR VIEW MIRROR (R)	1	
42	5802200150GH00	TOP LIGHT MOUNTING BRACKET 2	2	
43	81800502510005	BOLT GB818 M5X25	4	
44	61700500010005	NUT M5	4	
45	5802100150GH00	TOP LIGHT MOUNTING BRACKET 1	2	
47	57890801212505	BOLT 5789 M8X12	4	
48	97000800000005	GB97 WASHER φ8	2	
49	6502000080G000	PLASTIC BODY 1	1	
50	6503000150G000	PLASTIC BUMPER 150	1	
51	6501000150G000	PLASTIC BODY 2 150	1	
52	7010034150G000	FRONT LEFT FENDER	1	
53	7010034150G001	FRONT RIGHT FENDER	1	
54	7010064150G001	REAR LEFT FENDER	1	
55	7010064150G002	REAR RIGHT FENDER	1	
56	94000000600005	NUT 94 M6	5	
57	57890601410005	BOLT 5789 M6X14	9	
58	2823420140005	SCREW 2823 ST4.2X14	5	
59	96000600000005	GB97 WASHER φ6	3	
60	6000104150G000	LED TOP LIGHT BAR	1	
61	5802200150GH01	LED TOP LIGHT BAR BRACKET 1	2	
62	5802200150GH00	LED TOP LIGHT BAR BRACKET 2	2	
63	70000606010004	LED TOP LIGHT BAR BOLT	2	

64	7020049150G000	LED TOP LIGHT BAR CUSHION	2	
65	6503001150G000	Blazer 200 Windshield	1	
66	6503002150G000	Blazer 200 Windshield Acc	1	
67	5802200150GH01-M	LED TOP LIGHT BAR Mount 1	Uni.	
68	5802200150GH00-M	LED TOP LIGHT BAR Mount 2	Uni.	

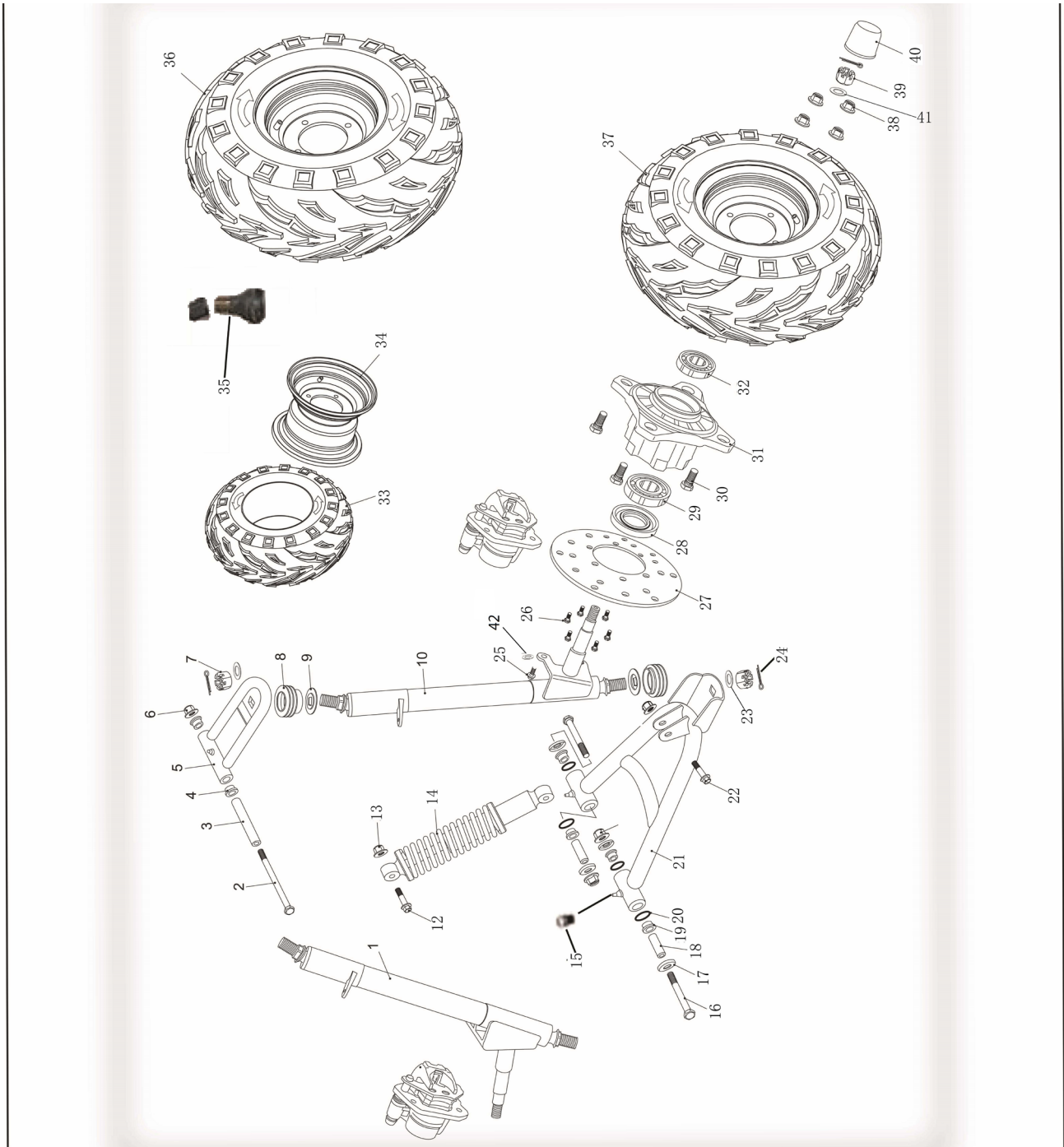
STEERING SHAFT ASSY



NO.	CODE	DESCRIPTION	QTY.
2	57810601210005	BOLT 5781 M6X12	3
3	7020038300G001	STEERING WHEEL SPORT	1
4	4011000150G000	STEERING SHAFT	1
5	7010026150G000	BUSH STEERING SHAFT	2
6	57830802512505	BOLT 5783 M8X25	2
7	93000800000005	SRPING WASHER φ8	2
8	6000093250G000	STEERING KNUCKLE	1
10	4000100150G000	STEERING GEAR ADJUSTING BOLT	1
11	5812000150G000	STEERING ADJUSTMENT BOLT M8X255	1
12	7010003250G000	TILT STEERING LOCKING BUSH	2
13	61870800012505	NUT 6187 M8	9
14	4000051150GHB0	TILT STEERING HOUSING	1
15	7020066250G000	BALL JOINT DUST COVER	2
16	61870802512505	BOLT 6187 M8X25	4

17	3000007250G000	STEERING SHAFT ASSY.	1	
18	7020002250G000	BALL JOINT DUST COVER L	1	
19	4000014250G000	STERRING GEAR	1	
20	9900016250G000	NUT 99 M16X1.5	2	
21	4000008250G000	STEERING BALL JOINT	2	
22	61701000012505	NUT 6170 M10X1.25	2	
23	7020002250G000	BALL JOINT DUST COVER L	1	
24	8010157250G000	TIE TOD	2	
25	6000062250G000	ROD END	2	
26	97001000000002	WASHER 97 $\phi$ 10	2	
27	93001000000002	SPRING WASHER 93 $\phi$ 10	2	
28	94571000012505	CASTLE NUT M10X1.25	2	
29	GB912502500002	COTTER PIN $\phi$ 2.5X25	2	
30	8020014250G000	STEERING GEAR BRACKET	2	
31	8020104250G000	PEDAL PAD PLATEN	2	
32	9708145250G001	THROTTLE PEDAL BOLT M8X145	1	
33	8040001250G000	THROTTLE RETURN SPRING R	1	
34	57870804512505	BOLT 5787 M8X45	2	
35	61700800012505	NUT 6170 M8	2	
36	4000016250G000	THROTTLE PEDAL ASSY.	1	
37	7020036250G000	THROTTLE PADEL PAD	1	
38	81800501610005	SCREW 818 M5X16	2	
39	97000500000005	WASHER 97 $\phi$ 5	2	
40	61700500010005	NUT 6170 M5	2	
41	7020037250G000	BRAKE PADEL PAD	1	
42	4000015150G000	BRAKE PADEL ASSY.	1	
43	8070044250G000	MASTER CYLINDER BRACKET	1	
44	7010004250G000	PEDAL BUSHING	4	
45	8040007250G000	BRAKE PEDAL RETURN SPRING L	1	
46	9708222250G000	BRAKE PEDAL BOLT M8X222	1	
47	88200602800003	PIN 6X28	1	
48	8030024250G001	SPINDLE BRACKET	1	
49	GB912001600002	COTTER PIN $\phi$ 2X16	1	
50	57890803512505	BOLT 5789 M8X35	2	
51	4011100150G0A0	STEERING WHEEL JOINT PIECE	1	

SUSPENSION ARM ASSY



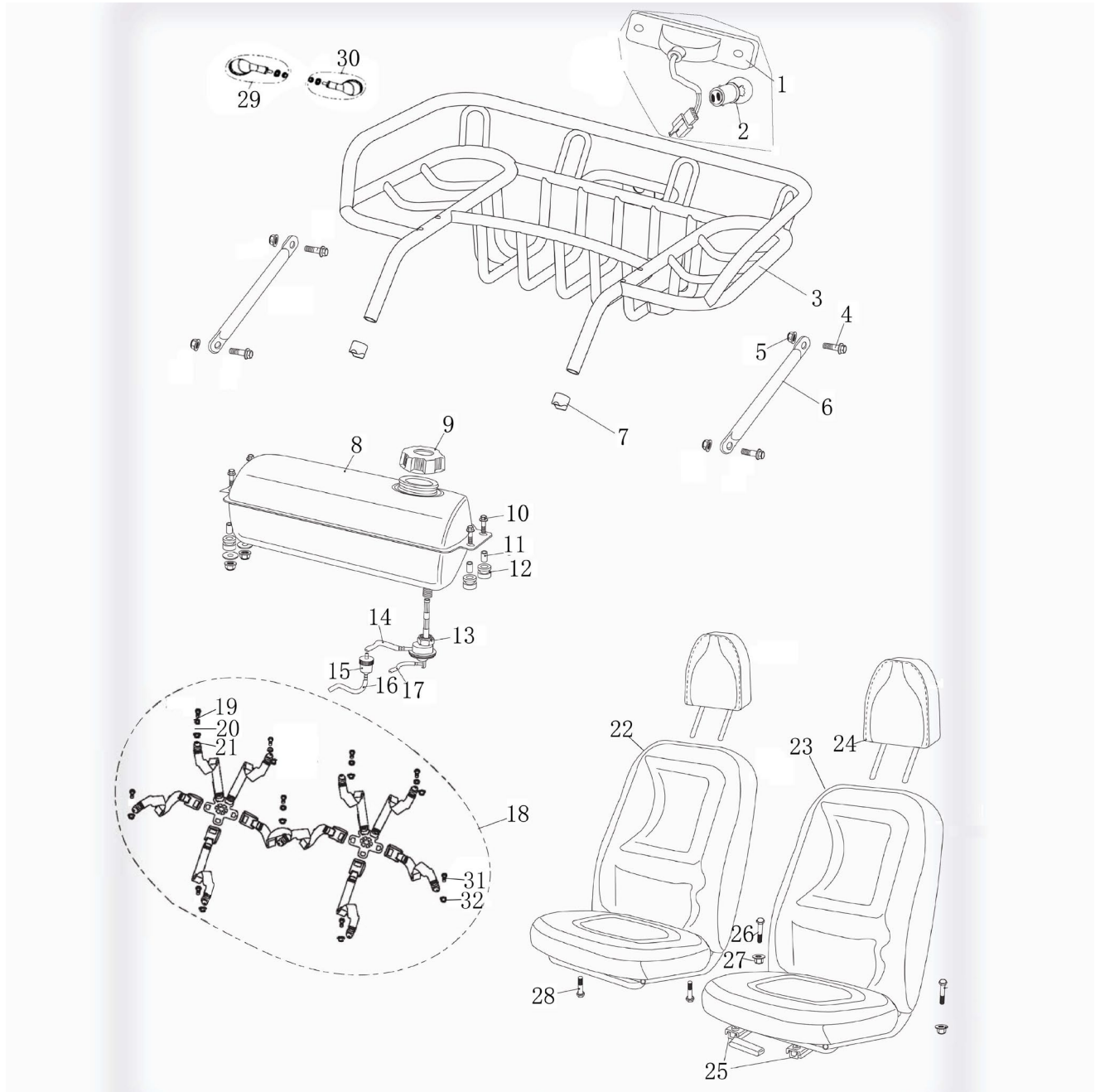
NO.	CODE	DESCRIPTION	QTY.
1	2010028250GH00	STRUT & SPINDLE SUPPORT R	1
2	57890810512505	BOLT 5789 M8X105	2
3	8010015250G000	UPPER SUSPENSION ARM COLLAR	2
4	7010003250G000	UPPER SUSPENSION ARM BUSHING	4
5	4000041300GH00	UPPER SUSPENSION ARM	2
6	61870800012505	NUT 6187 M8	2
7	94571200012505	CASTLE NUT M12	4
8	7020025250G000	BALL HEAD DUST SEAL	4



9	8020053250G000	BALL HEAD SPACER	4	
10	2010027250GH00	STRUT & SPINDLE SUPPORT L	1	
12	57891004012505	BOLT 5789 M10X40	2	
13	61871000012505	NUT 6187 M10	16	
14	6000325150G003	CUSHION ASSY. FR BLAZER 200X	2	X
14	6.000.325-BLK	CUSHION ASSY. FR. BLACK. L=325	2	BLK
14	6.000.325-WHITE	CUSHION ASSY. FR. WHITE. L=325	2	OTHER
15	5400600400N000	LUBRICATING NIPPLE	6	
16	57891008012505	BOLT 5789 M10X80	4	
17	8020034250G100	LOWER SUSPENSION ARM DUST CAP	8	
18	8010014250G000	LOWER SUSPENSION ARM COLLAR	4	
19	7010002250G000	LOWER SUSPENSION ARM BUSHING	8	
20	9040001250G000	O-RING $\phi$ 21.2X2.65	8	
21	4000023300GH00	LOWER SUSPENSION ARM ASSY	2	
22	57891004012505	BOLT 5789 M10X40	2	
23	97001200000005	WASHER 97 $\phi$ 12	4	
24	GB912503000002	COTTER PIN $\phi$ 2.5X30	6	
25	57870801412505	BOLT 5789 M8X14	4	
26	57830601610005	BOLT 5783 M6X16	12	
27	8010054250G000	BRAKE DISC	2	
28	YF047002500700	OIL SEAL 47X25-7	2	
29	62042RS0000000	BEARING 6204-2RS	2	
30	9710039250G100	TIRE BOLT M10X1.25X39	8	
31	8010085250GH00	FRONT WHEEL HUB	2	
32	62022RS0000000	BEARING 6202-2RS	2	
33	7020050150G000	FRONT TIRE 22X7-10	2	X
33	7.020.033	FRONT TIRE 22X7-10	2	S
34	6.000.096-UTV-AL	FRONT RIM (AL, BK)	2	X
34	6000142150G000	FRONT RIM	2	S
35	7190018250G000	TIRE NIPPLE	2	
36	7020050150G001	FRONT WHEEL ASSY. R	1	X
36	6000003250G000	FRONT WHEEL ASSY. R		S
37	7020050150G002	FRONT WHEEL ASSY. L	1	X
37	6000097250G000	FRONT WHEEL ASSY. L		S
38	61871000012505	NUT 6187 M10	16	
39	94571400015005	CASTLE NUT M14	2	
40	7020039150G000	FRONT HUB COVER	2	
41	97001400000005	WASHER $\phi$ 14	2	
42	93000800000005	SPRING WASHER 93 $\phi$ 8	4	



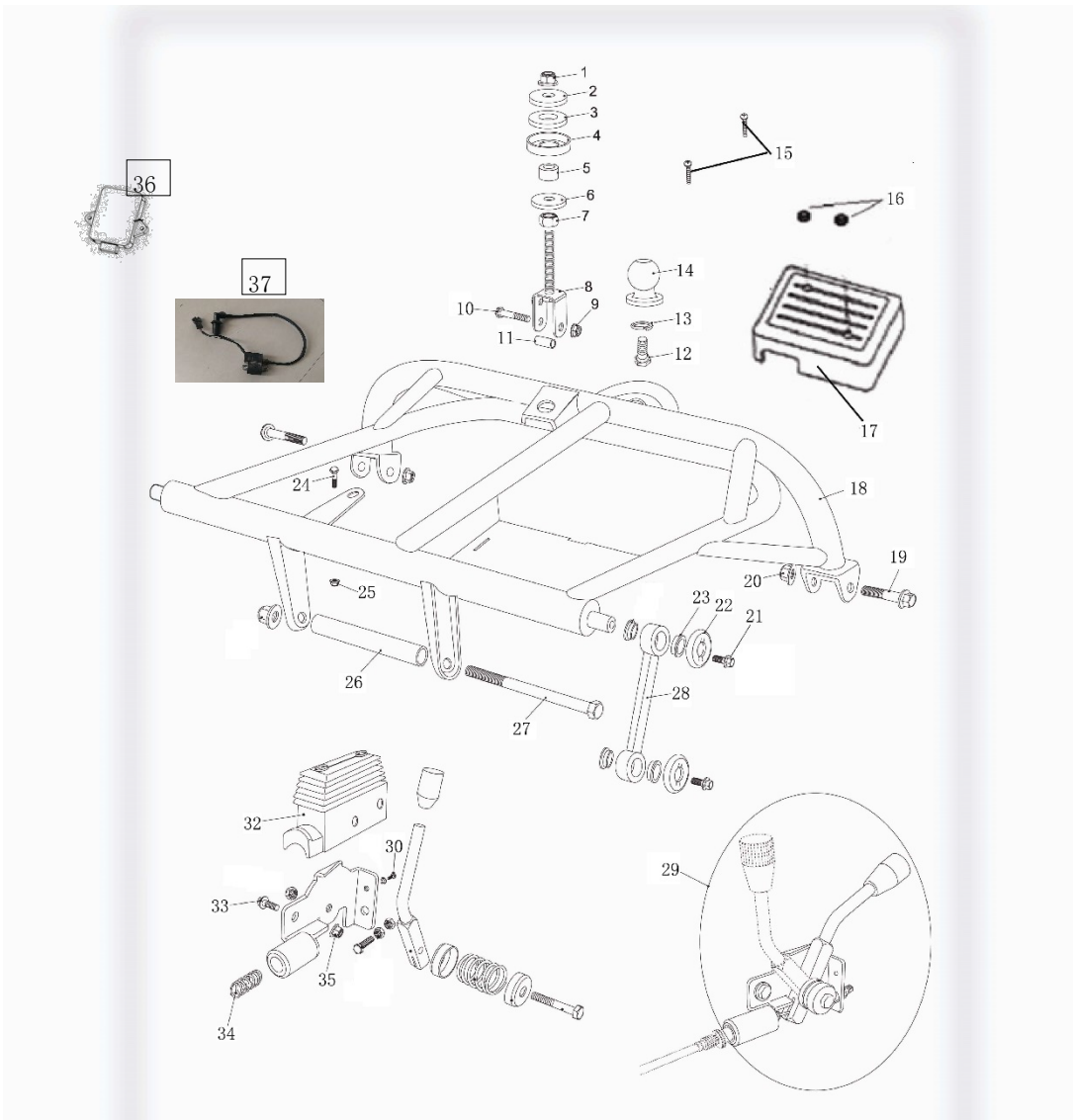
REAR CARGO RACK/SEAT/BELT



NO.	CODE	DESCRIPTION	QTY.
1	6000387150G000	TAIL LIGHT	1
2	9090002250G000	TAIL LIGHT BULB	1
3	2000061150G0A0	REAR CARGO RACK	1
4	57870802012505	BOLT 5789 M8X20	4
5	61870800012505	NUT 6187 M8	4
6	8080051150G000	RACK SUPPOT ARM	2
7	7010017250G000	TUBE SEAT φ25	2
8	4000029250G000	GAS TANK	1
9	6000145080G000	GAS TANK GAP	1
10	57870802512505	BOLT 5787 M8X25	4
11	8010034250G000	TANK COLLAR	4

12	7020005250G000	RUBBER MOUNT	4	
13	6000046150G000	AUTO FUEL COCK ASSY.	1	
14	7020021150G000	FUEL TUBE 1	1	
15	6000056250G000	FILTER	1	
16	7020022150G000	FUEL TUBE 2	1	
17	7020031150G000	VACUUM TUBE	1	
18	6000354150G000	SAFETY BELT COMP. FOR A SEAT	2	
19	9700001250G000	SPECIAL BOLT M7/16"X28	5	
20	9700002250G000	WASHER φ12	5	
21	9700003250G000	BELT NUT M7/A6	5	
22	6000376150G000	HEAD REST and BACK	2	
22	6000378150G000	Passenger SEAT only	1	
23	6000377150G000	Driver SEAT only	1	
25	6000379150G000	SEAT RAIL SET	1	
26	37000804512503	T-SHAPE BOLT M8X45	2	
27	61770800012505	NUT 6177 M8	2	
28	57870804012505	BOLT 5787 M8X40	2	
29	3000006250G000	TURN LIGHT RR	1	
30	3000005250G000	TURN LIGHT RL	1	

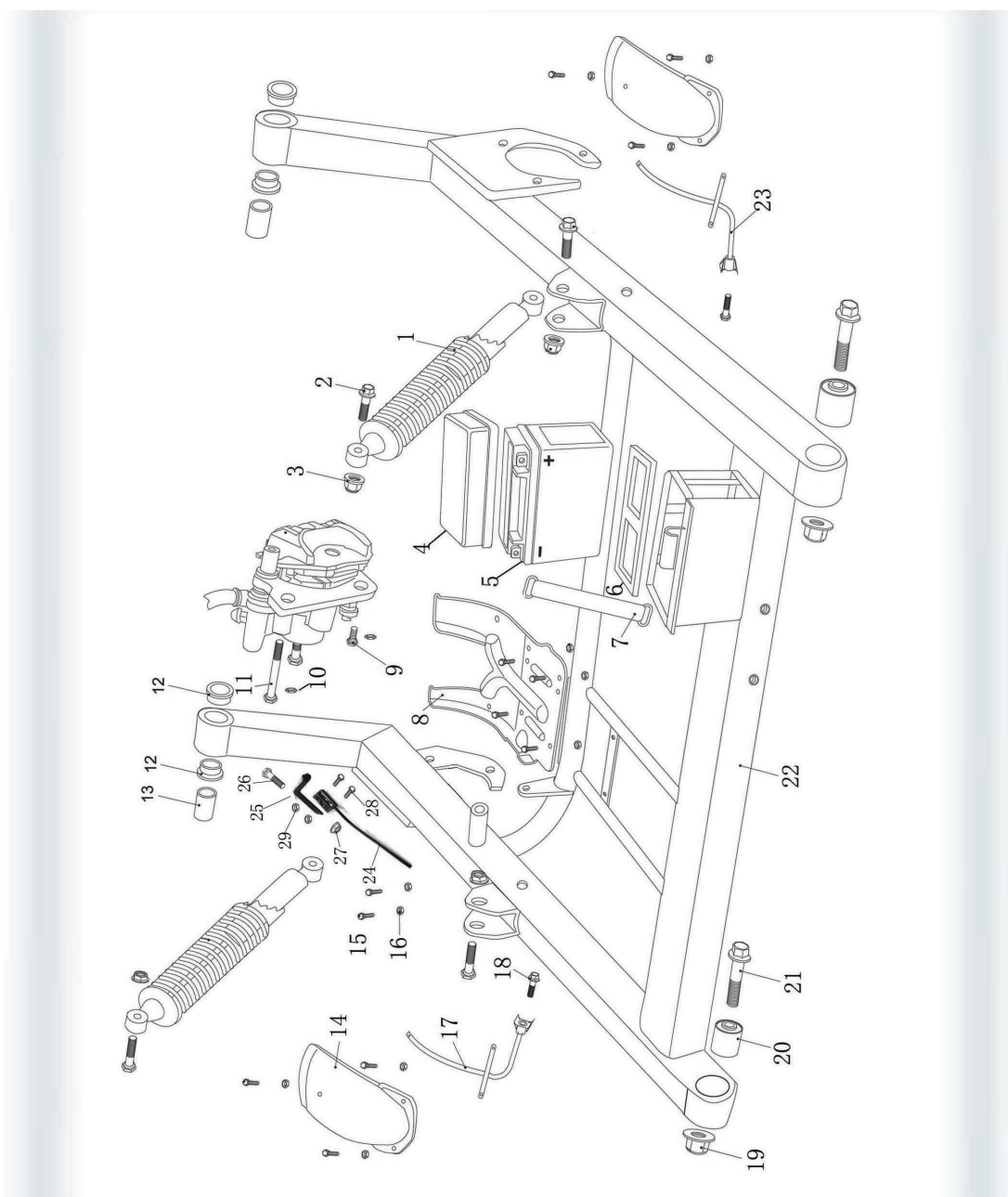
**FIG. 21 REAR SWING ARM ASSY. UPPER**



<b>REAR SWING ARM ASSY. UPPER</b>			
<b>REF NO.</b>	<b>PART NO.</b>	<b>DESCRIPTION</b>	<b>QTY</b>
1	9.220.012	LOCKING FLANGE NUT M12	1
2	8.010.042	ENGINE MOUNT LINK WASHER	1
3	7.020.001	ENGINE MOUNT LINK CUSHION	1
4	8.020.045	ENGINE MOUNT LINK SPACER	1
5	8.010.041	ENGINE MOUNT LINK COLLAR	1
6	9.300.012	FLAT WASHER 12	1
7	9.200.012	NUT M12	1
8	6.000.026	ENGINE MOUNT BOLT PLATE	1
9	9.220.010	LOCKING FLANGE NUT M10	1
10	57851004512505	BOLT M10X1.25X45	1
11	8010076150G100	BUSHING 2(10*14*20.5)	1
12	9.116.025	BOLT M16X2X25	1
13	9.400.016	LOCKING WASHER 16	1

14	8.010.084	TOW BALL	1
15	9.600.660	PAN SCREW M6X60	2
16	7010006250G000	Plug	
17	7.010.029	ELECTRIC ASSY. COVER	1
18	2000029150GH00	REAR SWING ARM ASSY. UPPER	1
19	57871206012505	FLANGE BOLT M12X1.25X60	2
20	9.220.012	LOCKING FLANGE NUT M12	2
21	9.108.016	BOLT M8X16	4
22	8.020.013	CON'ROD SPACER	4
23	7.010.008	CON'ROD BUSH	8
24	9.106.022	BOLT M6X16	2
25	9.210.01	LOCKING FLANGE NUT. M6	2
26	8.010.025	ENGINE MOUNT COLLAR	1
27	9.710.195	BOLT M10X1.25X195	1
28	8.030.001	SWING ARM DOG BONE	2
29	6.000.042	PARKING BRAKE LEVER ASSY.	1
30	9.600.512	PAN SCREW M5X12	1
32	7.020.024	REVERSE LEVER COVER	1
33	9.108.020	FLANGE BOLT M8X1.25X21	2
34	8.040.004	CABLE SPRING	1
35	9.220.008	LOCKING FLANGE NUT M8	2
36	6100167200G000	REGULATE RECTIFIER COMP.	1
37	1110182300G000	IGNITION COIL (EFI)	1

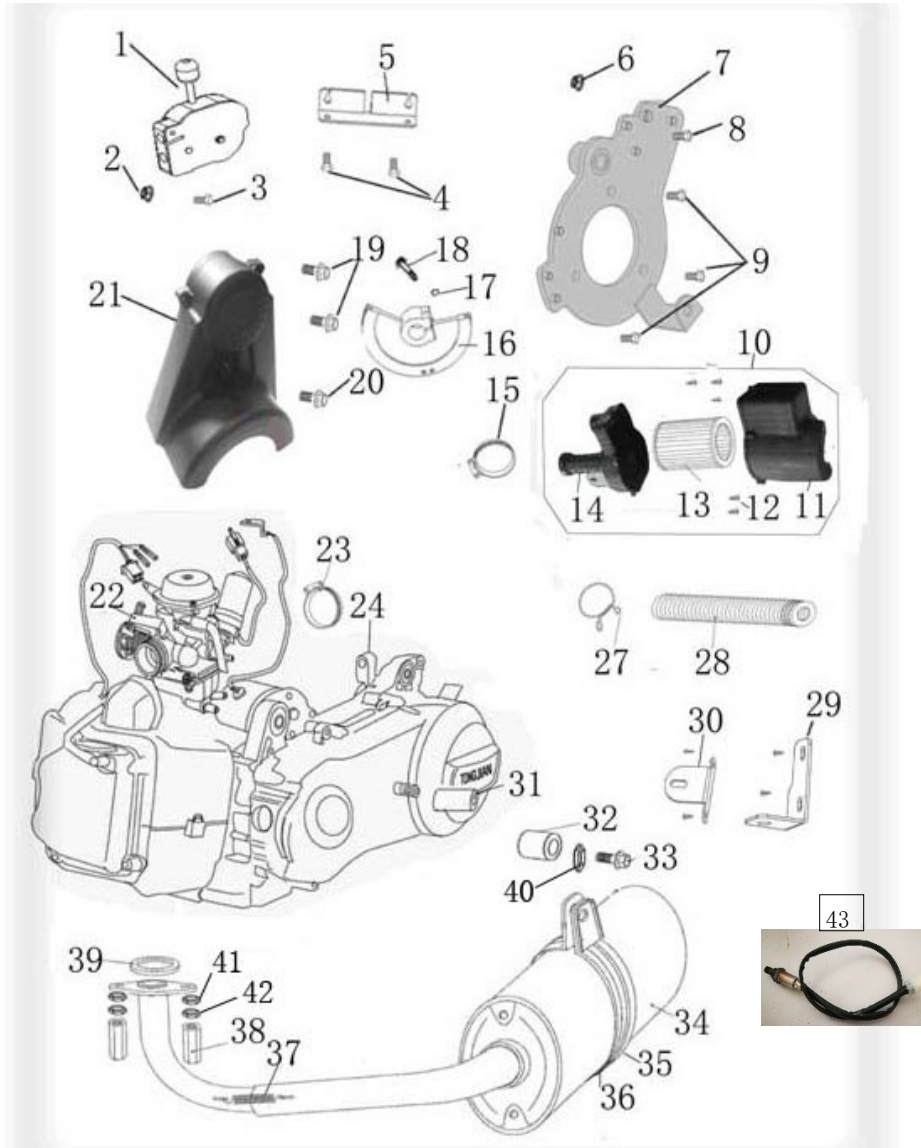
### REAR SWING ARM



NO.	CODE	DESCRIPTION	QTY.	
1	600006150G003	REAR CUSHION (BLAZER X)	2	X
1	600006150G002	CUSHION ASSY. RR. L=345mm	2	S
2	57891004012505	BOLT 5789 M10X40	4	
3	61871000012505	NUT 6187 M10	4	
4	7010028250G000	BATTERY COVER	1	
5	6000382250G000	BATTERY	1	
6	7020020250G000	BATTERY CUSHION	1	
7	7020023250G000	BATTERY BAND	1	
8	7010032150G001	CHAIN DISC GUARD	1	
9	57890801212505	BOLT 5789 M8X12	1	
10	93000800000005	SPRING WASHER φ8	2	

11	57890810012505	BOLT 5789 M8X100	1	
12	7010006150G000	SWING ARM BUSHING	4	
13	8010028150G100	SWING ARM COLLAR	2	
14	7010064150G001	REAR FENDER LEFT	1	
15	57890601610005	BOLT 5789 M6X16	10	
16	61770600010005	NUT 6177 M6	10	
17	6000101150GH02	REAR FENDER BRACKET R	1	
18	57870804512505	BOLT 5787 M8X45	2	
19	61871200012505	NUT 6187 M12X1.25	2	
20	7020008250G000	SWING ARM CUSHION BUSHING	2	
21	57871206012505	BOLT 5787 M12X60	2	
22	2000042150GH00	RR LOWER SWING ARM	1	
23	6000101150GH01	REAR FENDER BRACKET L	1	
24	8002200150G002	SPEED SENSOR	1	X
25	8020078250G000M	SPEED SENSOR BRACKET	1	
26	57890601610005	BOLT 5789 M6X16	1	
27	61870600012505	NUT 6187 M6	1	
28	81800300810001	SCREW 818 M3X8	2	
29	61700300010002	NUT 6170 M3	2	
30	7010064150G002	REAR FENDER RIGHT	1	

**FIG. 22 ENGINE / MUFFLER / AIR CLEANER**

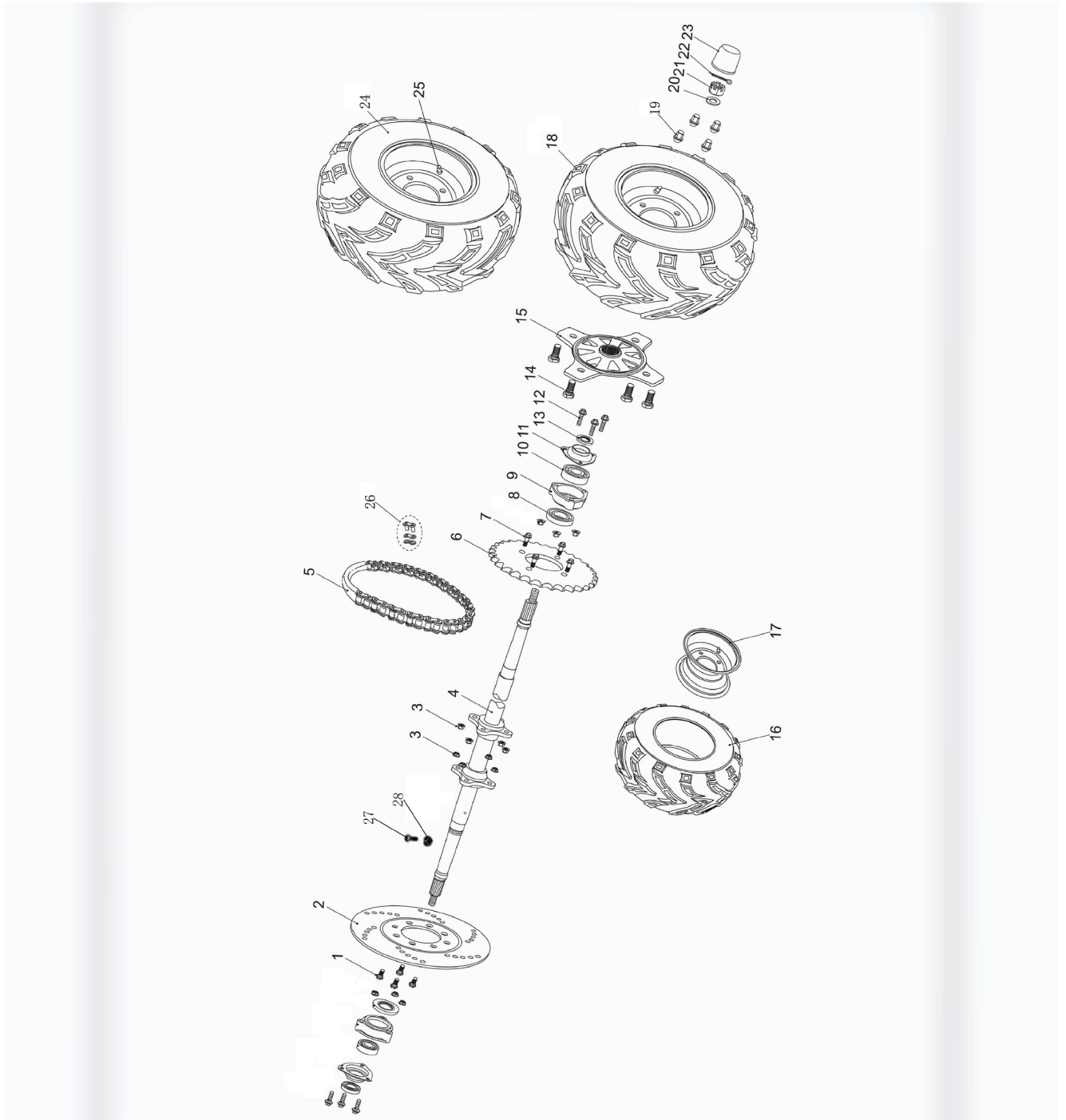


<b>ENGINE / MUFFLER / AIR CLEANER</b>			
<b>REF NO.</b>	<b>PART NO.</b>	<b>DESCRIPTION</b>	<b>QTY</b>
1	4070000300G000	REVERSE GEAR SHIFTER ASSY.	1
2	61870800012505	Locking nut M8	1
3	57870802012505	Bolt M8X20	1
4	57890601210005	Bolt M6X12	1
5	4000100300G200	Shift disc bracket	1
6	6177080012505	Nut M8	3
7	1010000300G000	Engine mount plate	3
8	57890801612505	Bolt M8X16	1
9	57810801612505	Bolt M8X16	1
10	4000018150G000	Air filter assy.	1
12	84505001600002	Screw ST5X20	9

15	8020056150G000	Air filter clamp	
16	4000200300G200	Shift disc	1
17	93000600000005	Spring washer 6	1
18	57830602510005	Bolt M6x25	4
19	57890602510005	Bolt M6x25	1
20	57890802512505	Bolt M8x25	1
21	7.010.033-150XRX	Chain Protector RR	1
22	PD24J	carburetor	1
23	152.08.210	INTAKE TUBE CLAMP COMP.	1
24	1000040200G000	Engine 200E (EFI)	1
24	1000040200G001	Engine 200	1
27	7020054150G000	AIR CLEANER CLIP	1
28	7010057150G000	AIR CLEANER DUCT	1
29	4900300150G000	AIR CLEANER MOUNT PLATE, RR	1
30	4900200150G000	AIR CLEANER MOUNT PLATE, FR	1
31	8030037150G000	MUFFLER RACK SUPPORT	1
32	5813000150G000	bushing	1
33	57870805012505	Bolt M8X50	1
34	4710012200G000	Muffler (EFI)	1
34	6.000.229-MCE	MUFFLER COMP. EX	1
35	8020166250G000	Muffler clamp	1
36	7020054250G000	Muffler rubber brace	1
37	58235400N000	Muffler spring	2
38	61870800012505	Locking nut M8	2
39	9040005150G000	EX. PIPE GASKET.	1
40	96001000000005	96 平垫Φ10	1
41	97000800000005	平垫Φ8	2
42	93000800000005	弹垫Φ8	2
43	1110180300G000	O2 Sensor (EFI)	1



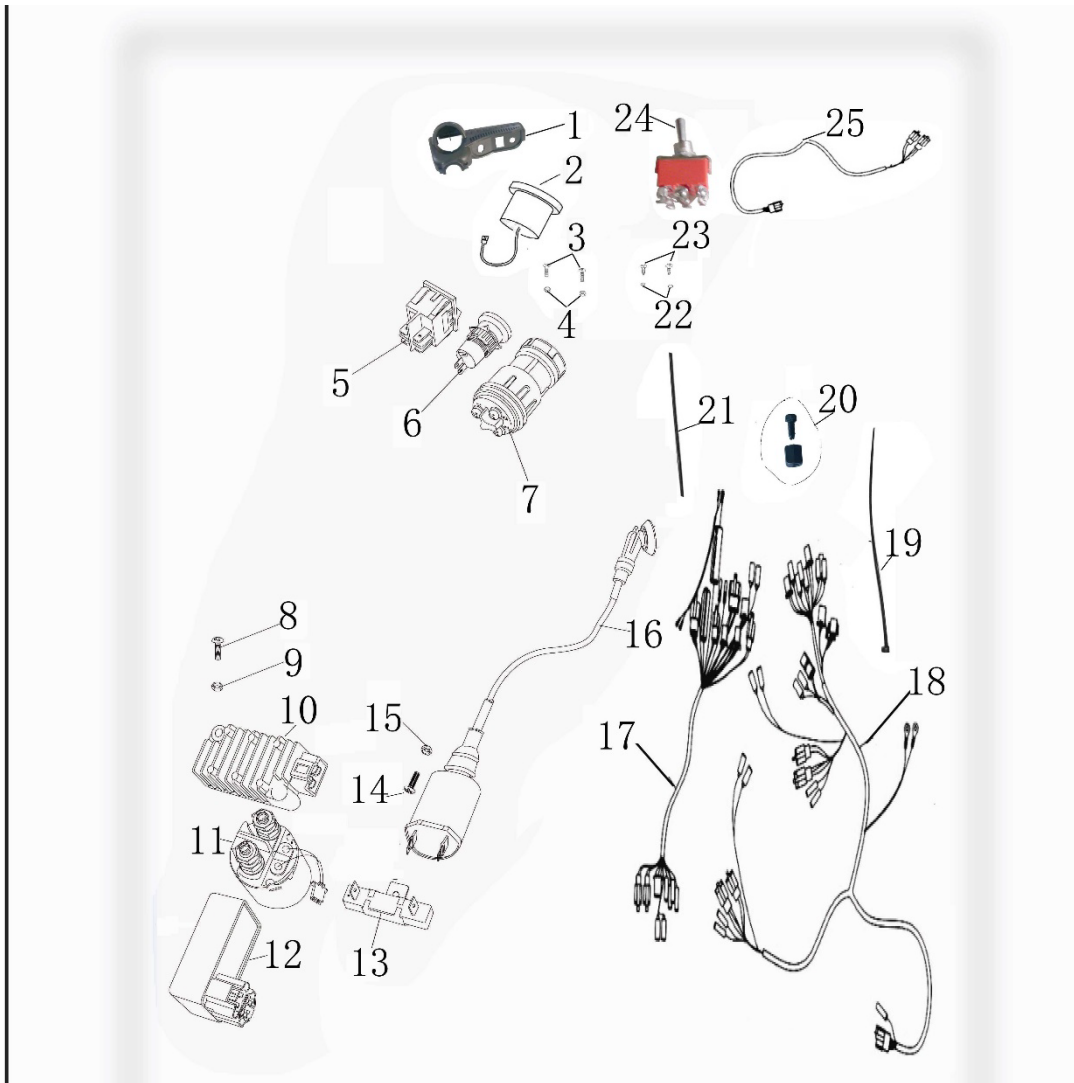
REAR HOUSING



NO.	CODE	DESCRIPTION	QTY.	
1	57890802512505	BOLT 5789 M8X22	4	
2	8010053250G000	BRAKE DISC	1	
3	61870800012505	NUT 6187 M8	14	
4	8010057150G0A0	REAR AXLE	1	
5	4200542150G000	530 CHAIN 52	1	
6	8110077250G000	SPROCKET 39T	1	
7	57890803012505	BOLT 5789 M8X30	4	
8	YF050003400700	OIL SEAL 34*50*7	2	

9	8030008150G100	RR. AXLE BRG HOUSING COMP	2	
10	62062RS0000000	BEARING 6206-2RS	2	
11	8020028150G100	BEARING BASE	2	
12	57870804012505	BOLT 5787 M8X40	6	
13	YF042003000700	OIL SEAL 30*42*7	2	
14	9710031250G000	TIRE BOLT M10X1.25X31	8	
15	8010056150GH02	REAR WHEEL HUB	2	X
15	8.010.056-150XRS	REAR AXLE HUB.	2	S
16	7020053150G000	REAR TIRE 22X10-10	2	X
	7.020.035-GT	REAR TIRE 22X10-10	2	S
17	6000143150G002	REAR WHEEL (AL, BLAZER X)	2	X
	6.000.105	RIM. RR	2	S
18	7020053150G001	REAR WHEEL ASSY L (BLAZER X)	1	X
	6.000.383	REAR WHEEL ASSY. L	1	S
19	61871000012505	NUT 6187 M10X1.25	8	
20	97001600000005	WASHER φ16	2	
21	94571500015005	CASTLE NUT M16X1.5	2	
22	GB914004000002	COTTER PIN Φ4x40	2	
23	7020039150G000	HUB COVER	2	X
23	7.020.039	HUB COVER	2	S
24	7020053150G002	REAR WHEEL ASSY R (BLAZER X)	1	X
24	6.000.052-GT	REAR WHEEL ASSY. R	1	S
25	7190018250G000	AIR VALVE	2	
26	6000149150G000	CHAIN MASTER LINK 530	1	
27	81800300610001	SCREW 818 M3X6	1	
28	7190013250G000	SPEED SENSOR MAGNET	1	

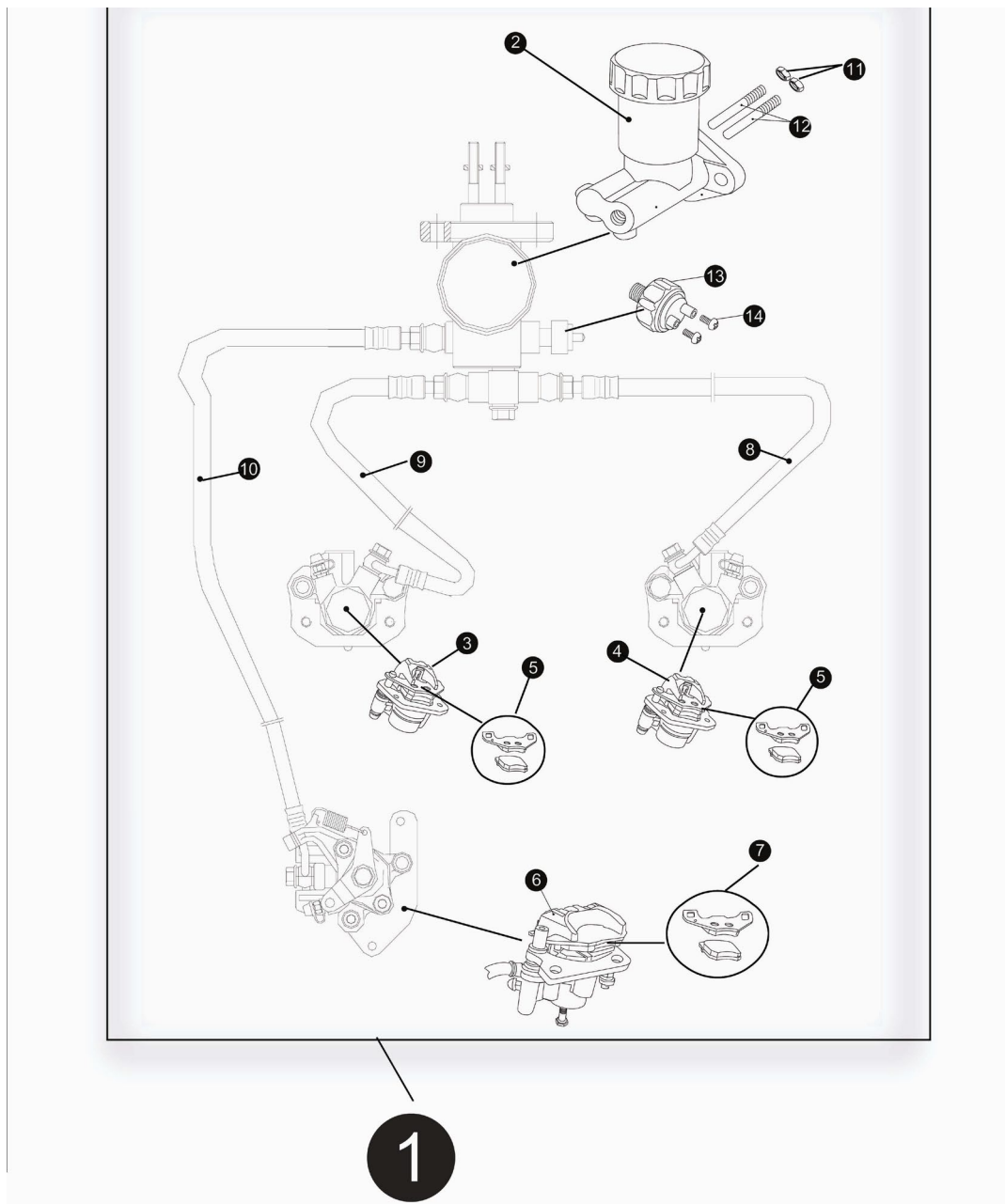
**FIG. 25 WIRE HARNESS / ELECTRICAL**



<b>WIRE HARNESS / ELECTRICAL</b>			
REF NO.	PART NO.	DESCRIPTION	QTY
25-1	7.010.027	SWITCH PANEL COVER	1
<b>1</b>	<b>7.010.027-XRX</b>	<b>SWITCH PANEL COVER (XRX)</b>	<b>1</b>
<b>2</b>	<b>4000051200G000</b>	<b>SPEEDOMETER WITH HI/LO. EFI</b>	<b>1</b>
<b>2</b>	<b>6.000.383-XRX</b>	<b>Speedometer (XRX)</b>	<b>1</b>
3	81800401610001	Bolt GB818 M4*16	2
4	61870400010002	Nut M4	2
5	6000160250G000	HEADLIGHT SWITCH	1
6	6.000.159	ENGINE STOP BUTTON	1
7	6.000.020-J	IGNITION START SWITCH	1
8	81800603010004	Bolt M6X30	2
9	61870600010005	Locking nut M6	2
10	6.000.124	REGULATE RECTIFIER COMP.	1
11	6.000.035	STARTING RELAY	1
12	6.000.126	C.D.I. UNIT COMP.	1
13	6.000.038	RESISTOR COMP 10M 10Ω	1

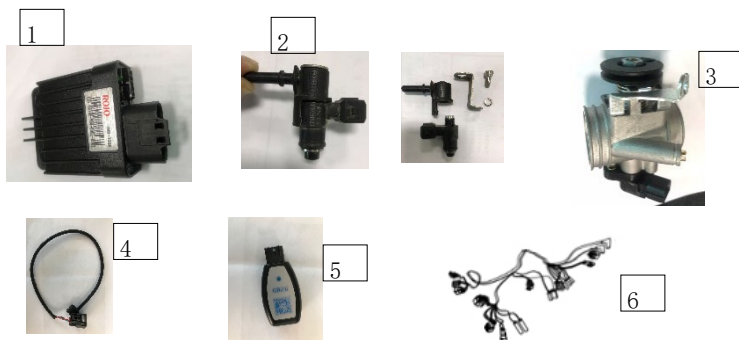
14	9.210.005	NYLON LOCKING NUT M5	1
15	9.600.525	ROUND HEAD BOLT M5X25	1
16	6.000.125	IGNITION COIL COMP.	1
17	6.000.380-150XRS	WIRE HARNESS	1
17	6.000.380-150XRX	WIRE HARNESS (XRX)	1
17	6100234200G000	AUXILIARY WIRE HARNESS. EFI (EFI)	1
18	6.000.381-150XRS	200 XRS WIRE HARNESS AUXILIARY	1
18	6.000.381-150XRX	200 XRX WIRE HARNESS AUXILIARY (XRX)	1
18	6100266200G000	Main wire harness. EFI (EFI)	1
19	12111208035	ZIP TIE 4X250	21
20	0001000250G000	Flag mount	1
21	0000100250G000	Flag pole	1
22	81800402010001	Bolt GB818 M4*20	2
23	61870400010002	Locking nut M4	2
24	6.000.384-150XRX	TURN LIGHT SWITCH (XRX)	1
25	6000382150G001	TOP LED LIGHT BAR EXTEND WIRE (XRX)	1

- 37 -  
BRAKE ASSY



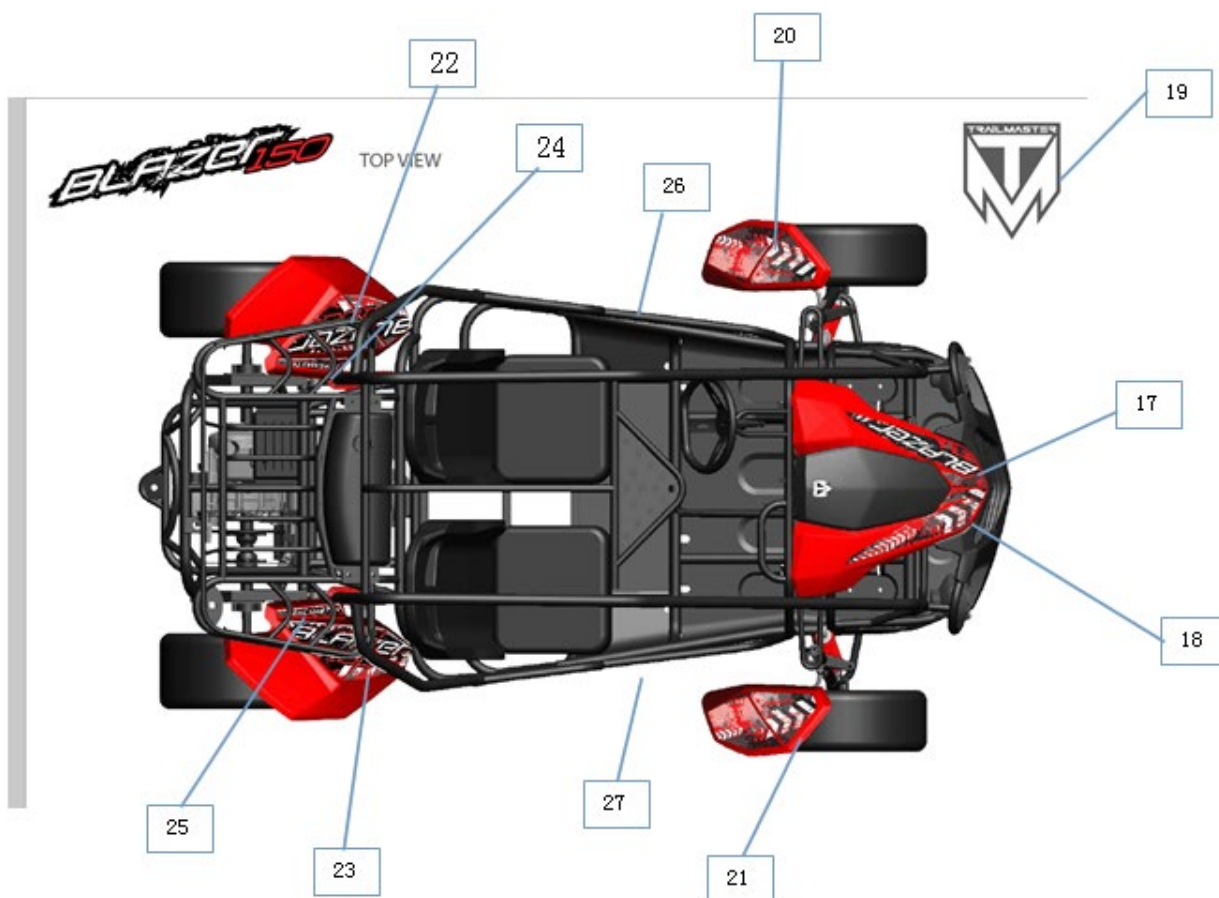
NO.	CODE	DESCRIPTION	QTY.
1	400000150G000	BRAKE ASSY.	1
2	6000076250G000	MASTER CYLINDER	1
3	6000095250G000	FRONT BRAKE CALIPER R	1
4	6000028250G000	LEFT BRAKE CALIPER L	1
5	7020016250G000	FRONT CALIPER BRAKE PAD	2
6	6000229300G000	REAR BRAKE CALIPER	1
7	7020022150G000	REAR CALIPER BRAKE PAD	1
8	6000089250G000	FRONT LEFT BRAKE HOSE	1
9	6000090250G000	FRONT RIGHT BRAKE HOSE	1
10	6000091150G000	REAR BRAKE HOSE	1
11	61700800012505	NUT 6170 M8	2
12	8010081250G000	BRAKE PIN SPINDLE	2

**FIG.27 EFI SYSTEM**



NO.	CODE	DESCRIPTION	QTY.
1	1110172200G000	ECU 200 EFI	1
2	1110174200G000	Fuel Injector (EFI)	1
3	1110173200G000	THROTTLE BODY ASSEMBLY (EFI)	1
4	1110177300G000	ECU WIRE	1
5	1110170300G000	BLUETOOTH DEVICE	1
6	1110179200G002	EFI wire harness of 200E	1
7	1110177200G000	INTAKE PIPE WITH O-RING.	1

## STICKERS



NO.	CODE	DESCRIPTION	QTY.
17	9070600150G001-X	FRONT LEFT STICKER BLAZER200X	1
18	9070600150G002-X	FRONT RIGHT STICKER BLAZER200X	1
19	9070600150G003	LOGO STICKER	1
20	9070600150G004-X	FRONT LEFT FENDER STICKER BLAZER200X	1
21	9070600150G005-X	FRONT RIGHT FENDER STICKER BLAZER200X	1
22	9070600150G006-X	REAR LEFT FENDER STICKER BLAZER200X	1
23	9070600150G016	REAR RIGHT FENDER STICKER BLAZER200X	1
24	9070600150G015	MODEL STICKER LEFT BLAZER200X	1
25	9070600150G009-X	MODEL STICKER RIGHT BLAZER200X	1
26	9070600150G017	LEFT SIDE PANEL STICKER BLAZER200X	1
27	9070600150G018	RIGHT SIDE PANEL STICKER BLAZER200X	1