



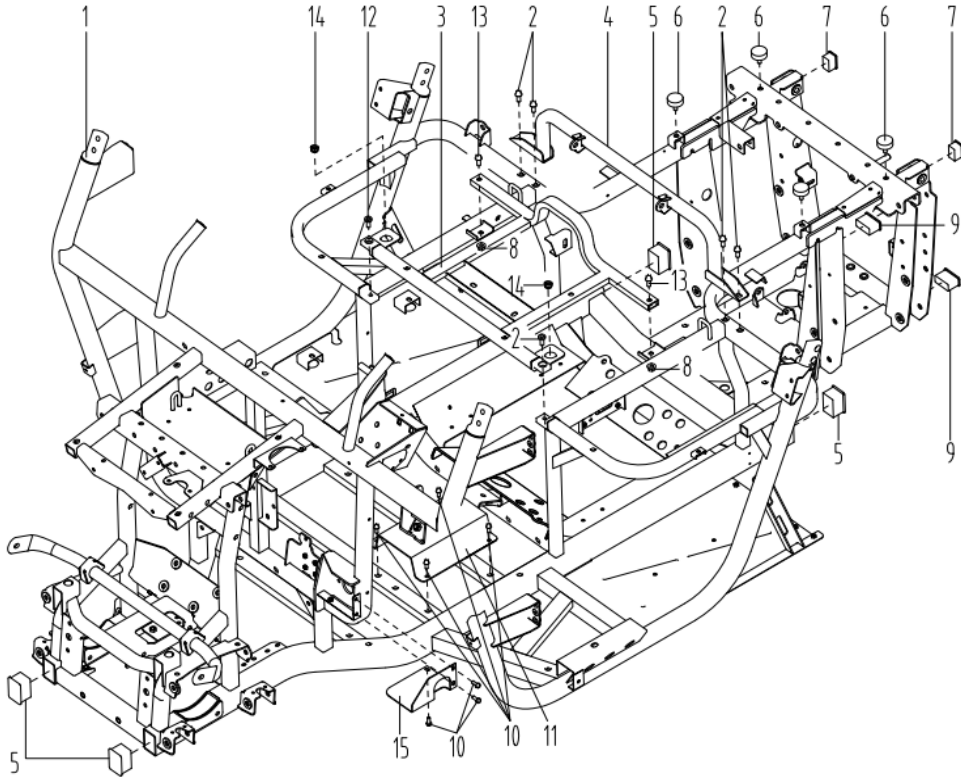
TRAILMASTER

Panther 550U PARTS MANUAL

VERSION:1.1

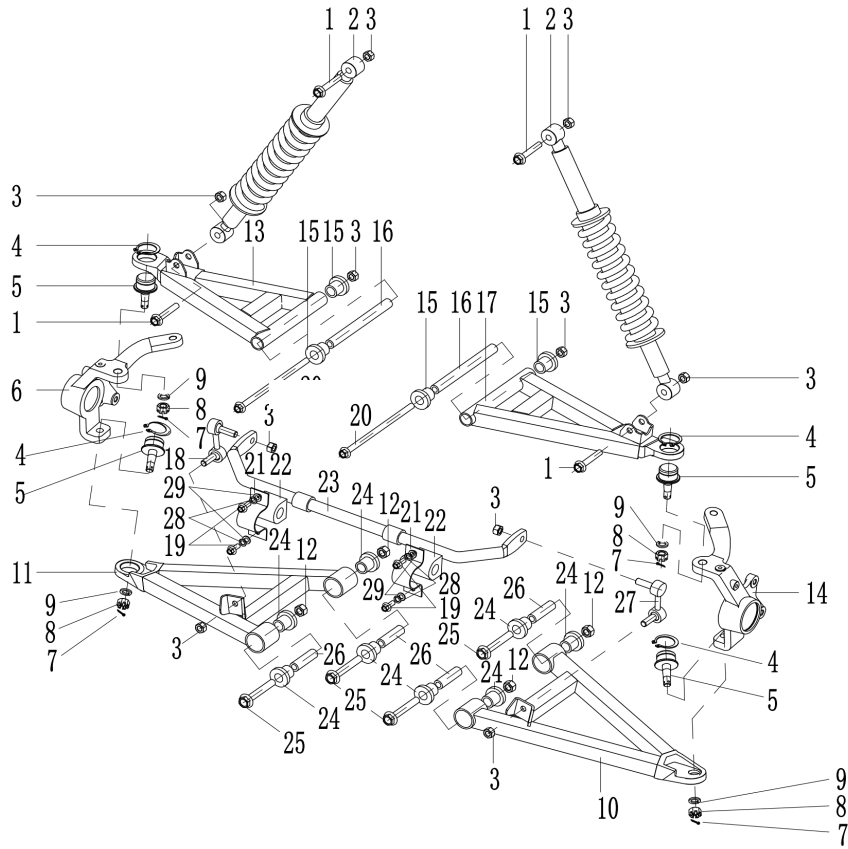
05/30/2023

FRAME GROUP



REF.No.	PART No.	PART NAME	Q'TY
1	3MU5100020	FRAME	1
2	9184308022281300	Bolt M8×22 (GB/T 16674.1)	4
3	3MU5081000	Support For Bench Seat	1
4	3MU5082000	Mounting Support For Safety Belt	1
5	1MU6033010	Plug 60×40	4
6	1MU5901000	Rubber Stopper	2
7	1MU7087500	Plug 40×25	2
8	9330308013241300	Nut M8 (GB/T 6187.1)	2
9	1MU7087600	Plug 50×25	2
10	9186306016166300	Bolt M6×16 (GB/T 5789)	7
11	3MU5099000	Middle Support For Foot Pedal Cover	1
12	9218308025261300	Bolt M8×25 (GB/T 70.1)	2
13	9184308025261300	Bolt M8×25 (GB/T 16674.1)	2
14	1MU5130200	Rubber Set, Seat	2
15	3MU7225000	Master cylinder protector	1

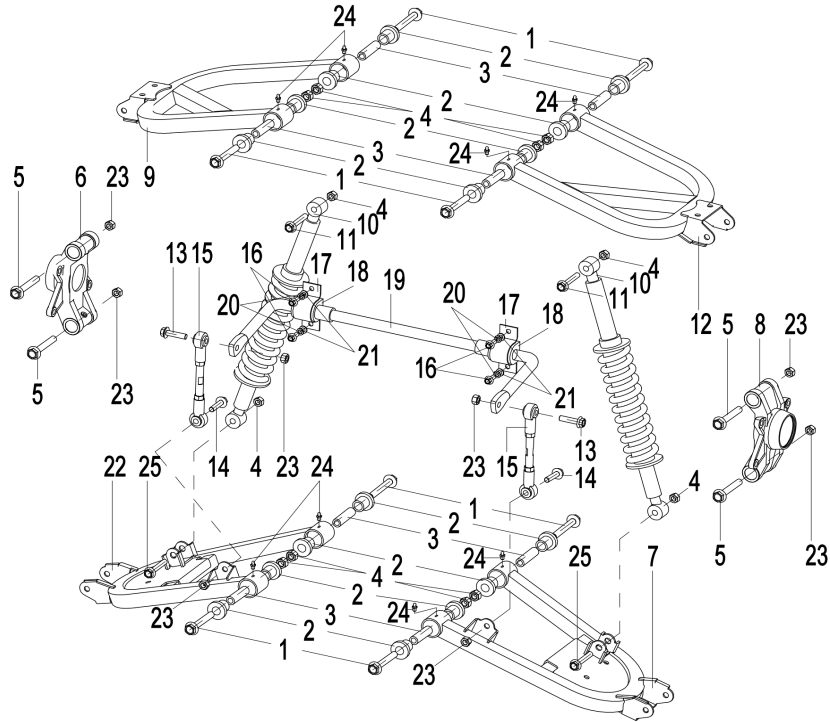
FRONT SUSPENSION



REF.No.	PART No.	PART NAME	Q'TY
1	9186310055281300	Bolt M10×1.25×55 (GB/T 5789)	4
2	3MU5421000	Front Shock Absorber	2
3	9330310015261300	Nut M10×1.25 (GB/T 6187.2)	14
4	3MU5454100	Shift Ring D=φ32	4
5	3MU5454000	Ball Joint	4
6	3MUX545200	Right Steering Knuckle Assy	1
7	9500325025002300	Pin 2.5×25	4
8	3MU5454200	Nut M12×1.25	4
9	9403112000000000	Spring Washer φ12	4
10	3MU5413010	Front Left Lower Swing Arm	1
11	3MU5433010	Front Right Lower Swing Arm	1
12	9330312018261300	Nut M12×1.25 (GB/T 6187.2)	4
13	3MU5431010	Front Right Upper Swing Arm	1
14	3MUX545100	Left Steering Knuckle Assy	1
15	1MU5510300	Bush 1, Arm	4
16	3MU5410200	Steel Bush for Front Upper Swing Arm	2
17	3MU5411010	Front Left Upper Swing Arm	1

18	1MU5562000	Left Joint For Stabilizer Bar	1
19	9186308020261300	Bolt M8×20 (GB/T 5789)	4
20	3MU5410100	Bolt M10×1.25×232	2
21	1MU5560100	Holder For Stabilizer Bar	2
22	1MU5560200	Rubber Bush For Stabilizer Bar	2
23	3MU5453000	Front Stabilizer Bar	1
24	3MU5510300	Short Bush For Swing Arm	8
25	3MU5410600	Bolt M12×1.25×85	4
26	3MU5410700	Steel Bush for Front Lower Swing Arm	4
27	1MU5563000	Right Joint For Stabilizer Bar	1
28	9403108000000000	Spring washer 8 (GB/T 93)	4
29	9401308000031300	Washer 8 (GB/T 97.1)	4

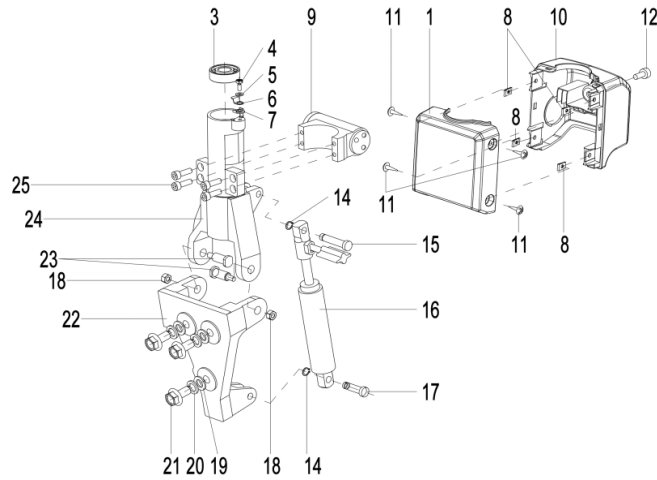
REAR SUSPENSION



REF.No.	PART No.	PART NAME	Q'TY
1	3MU5410600	Bolt M12×1.25×85	8
2		Short Bush For Swing Arm	16
3	3MU5410700	Steel Bush for Front Lower Swing Arm	8
4	9330312018261300	Nut M12×1.25	12
5	3MU5520300	Bolt M10×1.25×100	4
6	3MUX551420	Rear Right Knuckle Assy	1
7	3MU5472010	Rear Left Lower Swing Arm	1
8	3MUX551410	Rear Left Knuckle Assy	1
9	3MU5491010	Rear Right Upper Swing Arm	1
10	3MU5521000	Rear Shock Absorber	2
11	3MU5520100	Bolt M12×1.25×65	2
12	3MU5471010	Rear Left Upper Swing Arm	1
13	1MU5520100	Bolt M10×1.25×50	2
14	9186310045281300	Bolt M10×1.25×45 (GB/T 5789)	2
15	3MU5564000	Joint For Rear Stabilizer Bar	2
16	9186308020261300	Bolt M8×20 (GB/T 5789)	4
17	1MU5560100	Holder For Stabilizer Bar	2
18	1MU5560200	Rubber Bush For Stabilizer Bar	2
19	3MU5561000	Rear Stabilizer Bar	1
20	9403108000000000	Spring Washer φ8	4
21	9401308000031300	Flat Washer φ8	4

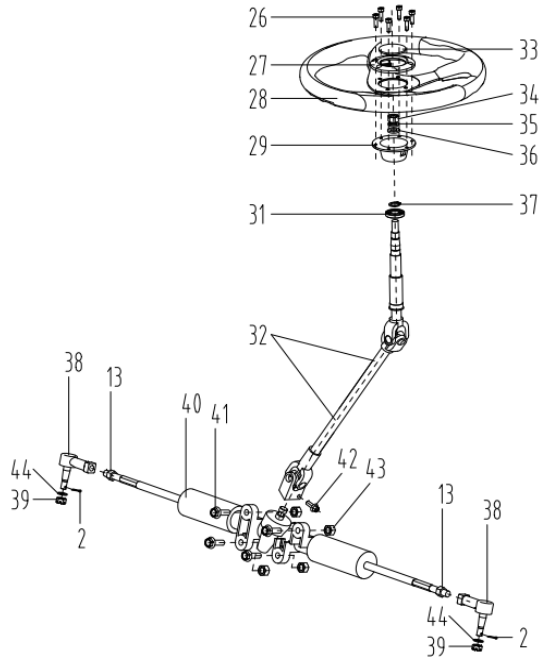
22	3MU5492010	Rear Right Lower Swing Arm	1
23	9330310015261300	Nut M10×1.25	8
24	JB/T7940.1	Straight Hydraulic Grease Nipples	8
25	3MU5520200	Bolt M12×1.25×60	2

STEERING SYSTEM



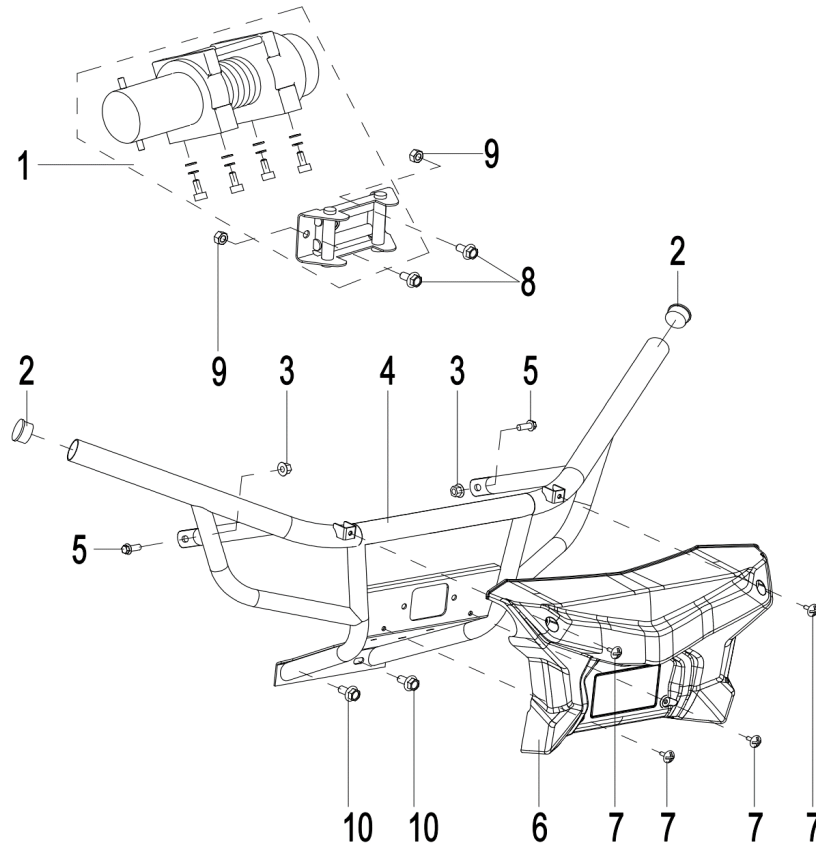
REF.No.	PART No.	PART NAME	Q'TY
1	3MU6014500	Steering shaft cover	1
2	9500325025002300	Pin 2.5×25	2
3	3MU5623300	Bear 35×20×9	1
4	9214340060002300	Bolt M4×6 (GB/T 818)	1
5	3MU5619300	Insulation Pad (Upside)	1
6	3MU5619100	Conducting Plate Of Horn Switch	1
7	3MU5619200	Insulation Pad (Downside)	1
8	9397342000002300	Spring Nut ST4.2 (Q397A)	4
9	3MU8051000	Key Switch	1
10	3MU6014600	steering column cover, Low	1
11	9271348160006300	Screw ST4.8×16 (GB/T 845)	4
12	9276360160111300	Screw M6×16 (GB/T 973)	1
13	9383312018261300	Nut M12×1.25	2
14	9431108000000000	Shift Ring D=8	2
15	3MU5623100	Long Fixing Pin, Steering Column Gas Spring	1
16	3MU5623000	Steering Colum Gas Spring	1
17	3MU5623200	Short Fixing Pin, Steering Column Gas Spring	1
18	9276310030361300	GB/T 973 M10x1.5X30 bolt	2
19	9401310000031300	Flat Washer φ10	3
20	9403110000000000	Spring Washer φ10	3
21	9186310020281300	Bolt M10×1.25×20 (GB/T 5789)	3
22	3MU5621000	Holder For Steering Column	1
23	9332310016361300	GB/T 6185.1 M10×1.5 nut	2
24	3MU5622000	Steering Column	1
25	9214350180015300	Bolt M5×18 (GB/T 818)	4

STEERING SYSTEM



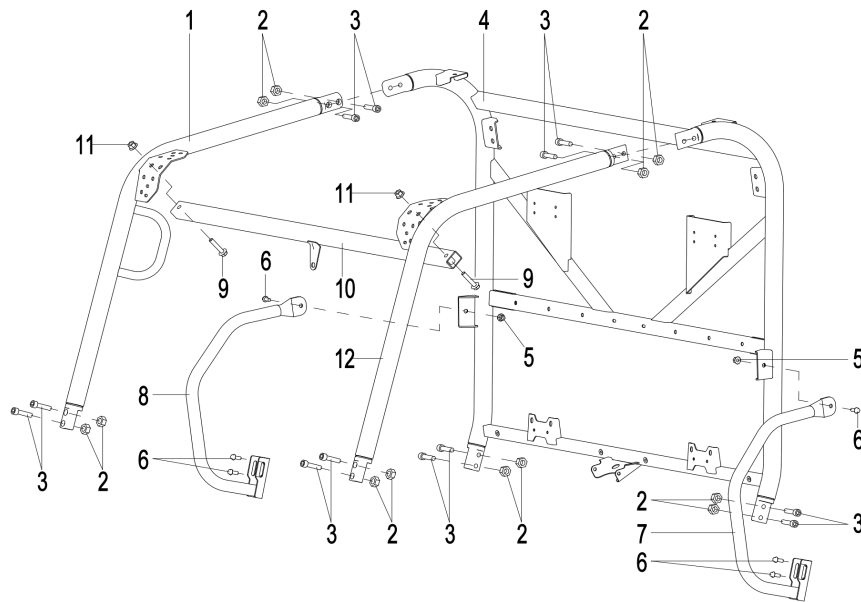
REF.No.	PART No.	PART NAME	Q'TY
26	9218250200100000	Bolt M5×20 (GB/T 70.1)	6
27	2MU5610200	Aluminium Cover For Steering Column	1
28	1MU5611000	Steering Wheel	1
29	2MU5610100	Holder For Steering Wheel	1
30	3MU562A000	Plastic Sleeve For Steering Column	1
31	933061805	Bear 61805	1
32	3MU5613000	Steering Transmission Linkage	1
33	2MU8061000	Horn Switch	1
34	9350312018261300	NUt M12×1.25	1
35	9403112000000000	Spring Washer φ12	1
36	9401312000031300	Flat Washer φ12	1
37	9431120000000000	Shift Ring D=20	1
38	3MU5617000	Tie Rod End	2
39	3MU5617100	Slotted nut M12×1.25	2
40	3MU5612000	Steering Mechanism	1
41	9186310040281300	Bolt M10×1.25×40 (GB/T 5789)	4
42	9150308020261300	Bolt M8×20	1
43	9330310015261300	Nut M10×1.25	4
44	3MU5617200	Flat Washer 12	2

FRONT BUMPER



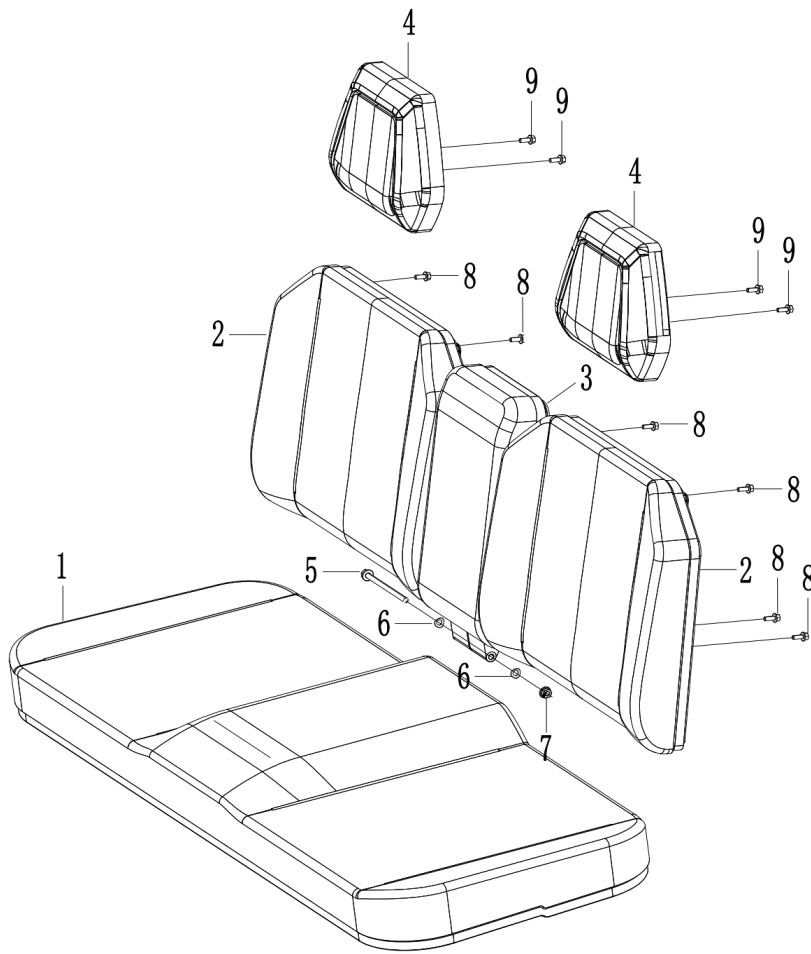
REF.No.	PART No.	PART NAME	Q'TY
1	3MU8020200	Winch	1
2	1MU5000100	Plug	2
3	9330310015261300	Nut M10×1.25	2
4	3MU5250000	Front Bumper Assy	1
5	9186310025281300	Bolt M10×1.25×25 (GB/T 5789)	2
6	3MU6011900	Protective Cover, Front Bumper	1
7	9276360160111300	Screw M6×16	4
8	9184308025261300	Bolt M8×25 (GB/T 16674.1)	2
9	9330308013241300	Nut M8	2
10	9186310020281300	Bolt M10×1.25×20 (GB/T 5789)	2

TOP ROLLAGE



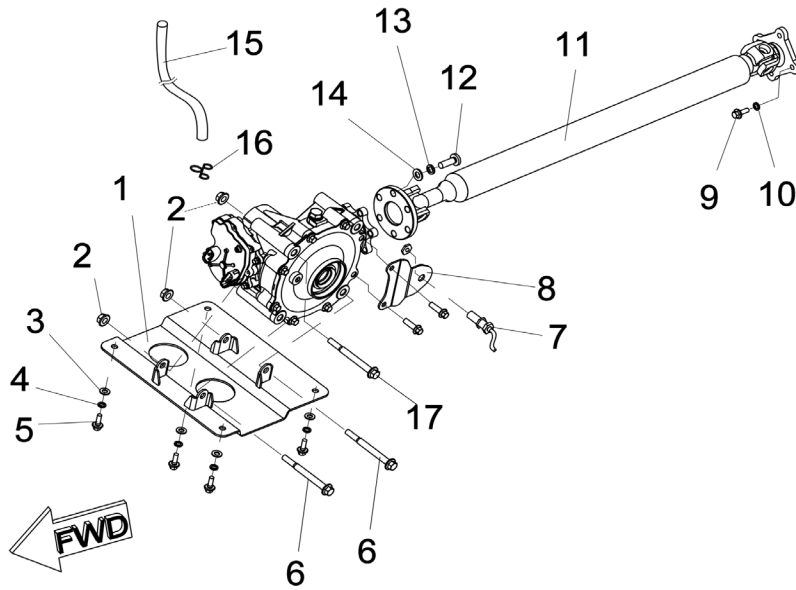
REF.No.	PART No.	PART NAME	Q'TY
1	3MU5202000	Roof Frame, R	1
2	9332310016361300	Hexagon Lock Nut, M10×1.5 (GB/T 6185.1)	12
3	9218310045346300	Hexagon Socket Head Bolt M10×1.5×45 (GB/T70.1)	12
4	3MU5203000	Roof Frame, Rear	1
5	9330308013241300	Nut M8 (GB/T 6187.1)	2
6	9186308020261300	Bolt M8×20 (GB/T 5789)	6
7	3MU5205000	Side Protection Tube, L	1
8	3MU5206000	Side Protection Tube, R	1
9	9186310050281300	Bolt M10×1.25×50 (GB/T 5789)	2
10	3MU5204000	Roof Frame, Up F	1
11	9330310015261300	Nut M10×1.25	2
12	3MU5201000	Roof Frame, L	1

- 11 -
SEATS



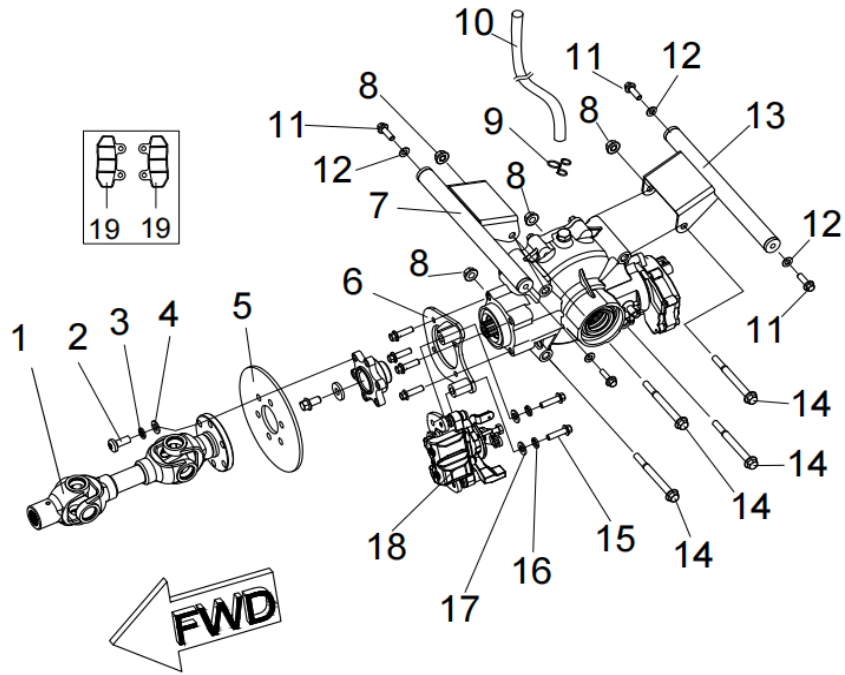
REF.No.	PART No.	PART NAME	Q'TY
1	3MU5810000	Seat Assy	1
2	3MU5830000	Rear backrest Assy	2
3	3MU5840000	Flip cup holder Assy	1
4	3MU5820000	Head pillow	2
5	3MU5851000	Flip cup holder mounting shaft(M8×125)	1
6	3MU5852000	Saddle Washer 8(GB/T 860)	2
7	9330308013241300	Nut M8 (GB/T 6187.1)	1
8	9186308016266300	Bolt M8×16 (GB/T 5789)	8
9	9186306016166300	Bolt M6×16 (GB/T 5789)	4

FRONT DRIVE SHAFT SYSTEM



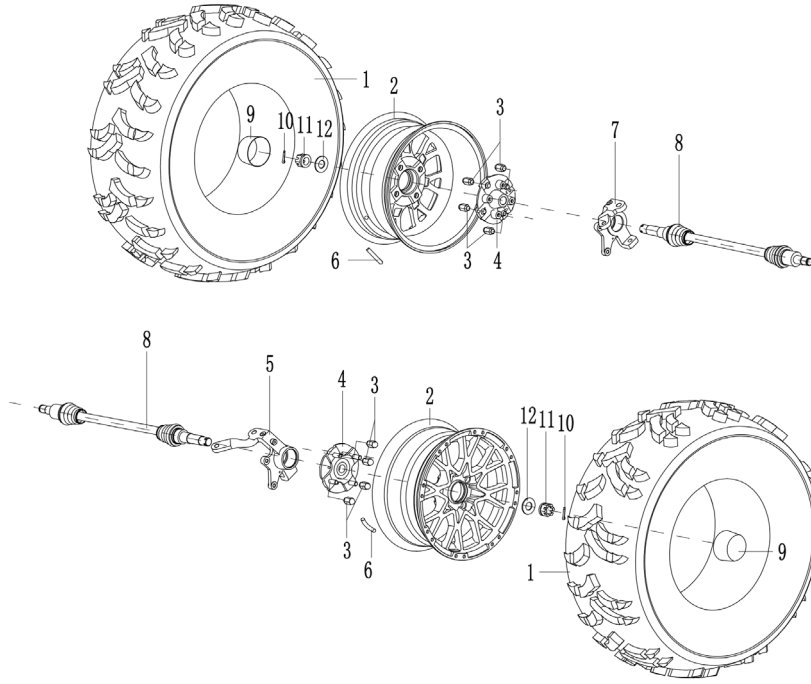
REF.No.	PART No.	PART NAME	Q'TY
1	3MU5089000	Front axle mounting bracket, Low	1
2	9330310015261300	NUT M10×1.25 (GB/T 6187.2)	3
3	9401308000031300	Washer 8 (GB/T 97.1)	4
4	9403108000000000	Spring Washer 8 (GB/T 93)	4
5	9184308020261300	Bolt M8×20 (GB/T 16674.1)	4
6	1MU5514200	Bolt M10×1.25×110	2
7	3MU8093000	Speed Sensor	1
8	3MU5086000	Support For Vehicle Speed Sensor	1
9	9151308020281300	Bolt M8×20 (GB/T 5783)	4
10	9403108000000000	Spring Washer 8 (GB/T 93)	4
11	3MU5732000	Front Drive Shaft Assy	1
12	9151310025281300	Bolt M10×1.25×25 (GB/T 5783)	6
13	9403110000000000	Spring Washer 10 (GB/T 93)	6
14	9401310000031300	Washer 10 (GB/T 97.1)	6
15	3MU5750100	Axle vent pipe	1
16	9673310500005300	Clip (d=φ10.5)	1
17	3MU5750200	Front Axle Mounting Bolt (M10×1.25×110)	1

REAR DRIVE AXLE SYSTEM



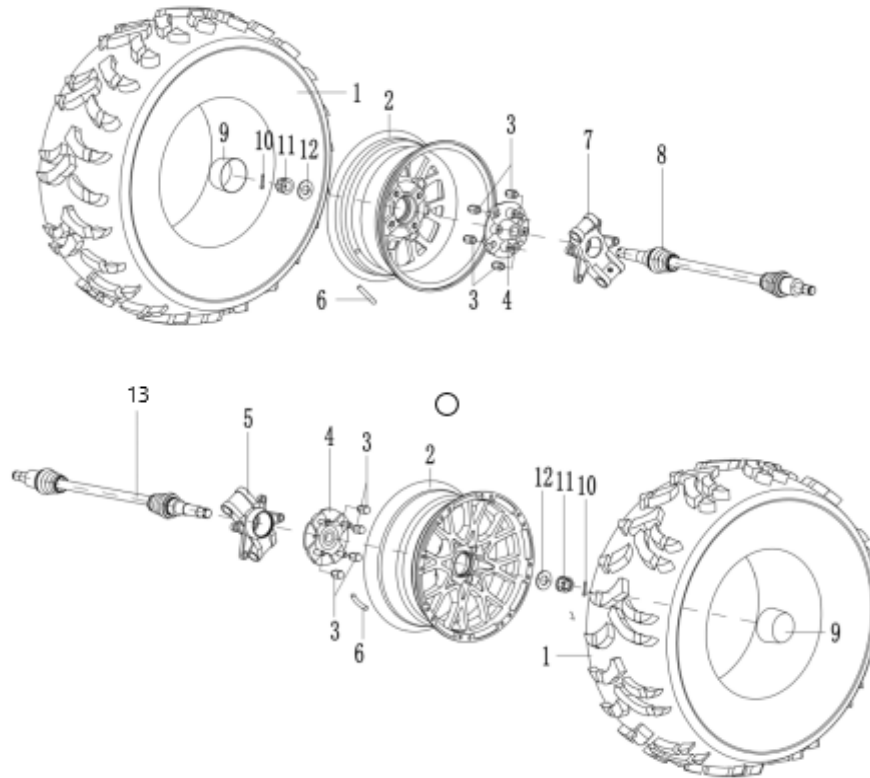
REF.No.	PART No.	PART NAME	Q'TY
1	3MU5762000	Rear transmission shaft Assy	1
2	9151308030281300	Bolt M8×30 (GB/T 5783)	6
3	9403110000000000	Spring Washer 10 (GB/T 93)	6
4	9401310000031300	Washer 10 (GB/T 97.1)	6
5	3MU5656100	Parking disc	1
6	3MU5093000	Mounting plate of parking caliper	1
7	3MU5094000	Rear axle mounting beam,up F	1
8	9330310015261300	NUT M10×1.25 (GB/T 6187.2)	4
9	9673310500005300	Clip (d=φ10.5)	1
10	3MU5750100	Axle vent pipe	1
11	9184308025261300	Bolt M8×25 (GB/T 16674.1)	4
12	9402308000031300	GB/T 96.1 8 WASHER	4
13	3MU5095000	Rear axle mounting beam,up R	1
14	1MU551420001	Bolt M10×1.25×110	4
15	9186310042281300	Bolt M10×1.25×42 (GB/T 5789)	2
16	9403110000000000	Spring Washer 10 (GB/T 93)	2
17	9401310000031300	Washer 10 (GB/T 97.1)	2
18	3MU5656000	Parking pump	1
19	ZL002·2·1C	BRAKE PADS	2

FRONT WHEEL ASSY.



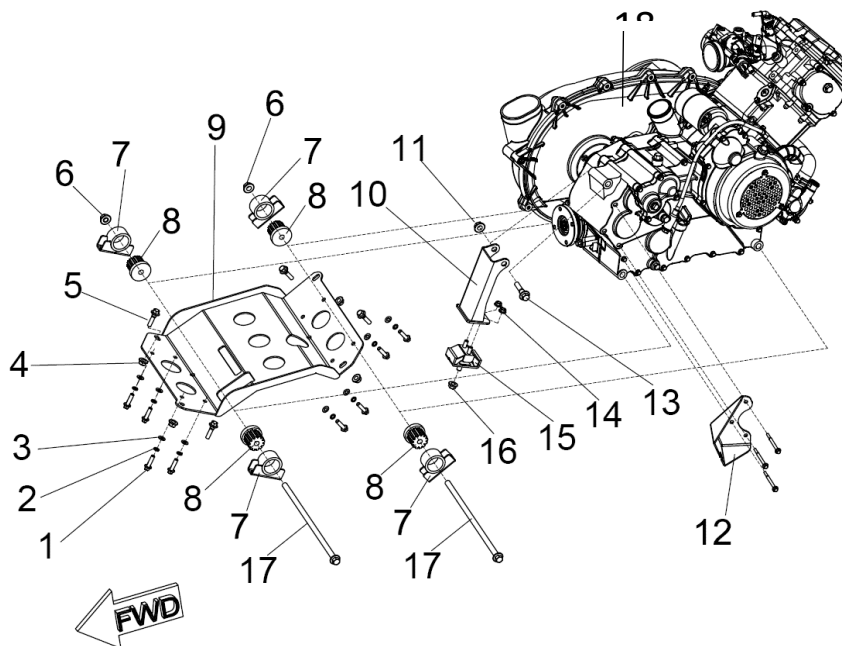
REF.No.	PART No.	PART NAME	Q'TY
1	9922261409060000	Front Tire, AT26×9-14	2
2	3MU5551000	Front Rim	2
3	1MU5450300	Nut, Wheel	8
4	3MUX545510	HUB ASSY, F	2
5	3MUX545200	Right Steering Knuckle Assy	1
6	3MU5554000	Valve Stem	2
7	3MUX545100	Left Steering Knuckle Assy	1
8	3MU5740000	Front Drive Axle Assy	2
9	3MU5450600	Wheel Cap	2
10	9500340032002300	Pin 4×32	2
11	3MU5450400	Slotted Nut M24×1.5	2
12	3MU5450200	Flatwasher, Hub	2

REAR WHEEL ASSY.



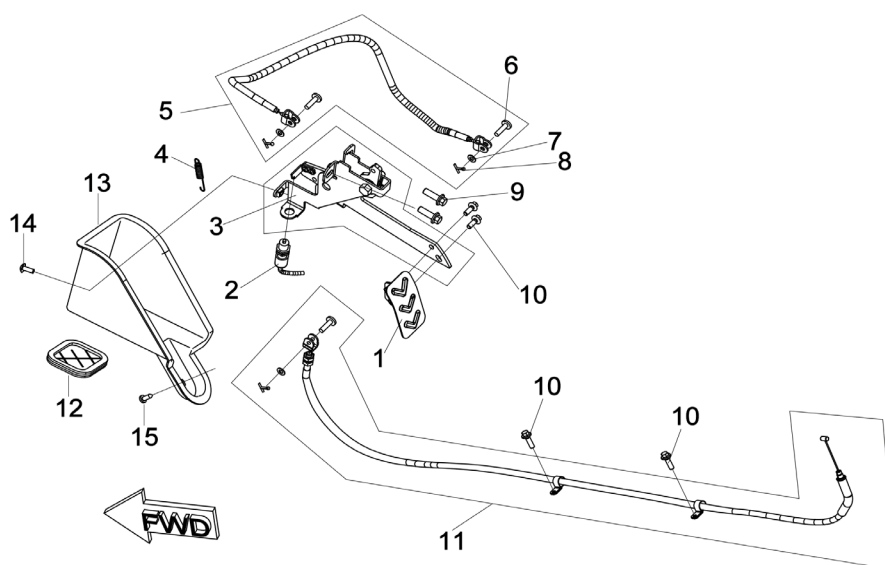
REF.No.	PART No.	PART NAME	Q'TY
1	9922261411060000	Rear Tire, AT26×11-14	2
2	3MU5552000	Rear Rim	2
3	1MU5450300	Nut, Wheel	8
4	3MUX545520	Hub ASYY,R	2
5	3MUX551410	Rear Knuckle ASSY,L	1
6	3MU5554000	Valve Stem	2
7	3MUX551420	Rear Knuckle ASSY,R	1
8	3MU5710000	Rear Drive Axle Assy, Left	1
9	3MU5450600	Wheel Cap	2
10	9500340032002300	Pin 4×32	2
11	3MU5450400	Slotted Nut M24×1.5	2
12	3MU5450200	Flat washer, Hub	2
13	3MU5720000	Rear Drive Axle Assy, Right	1

ENGINE MOUNT



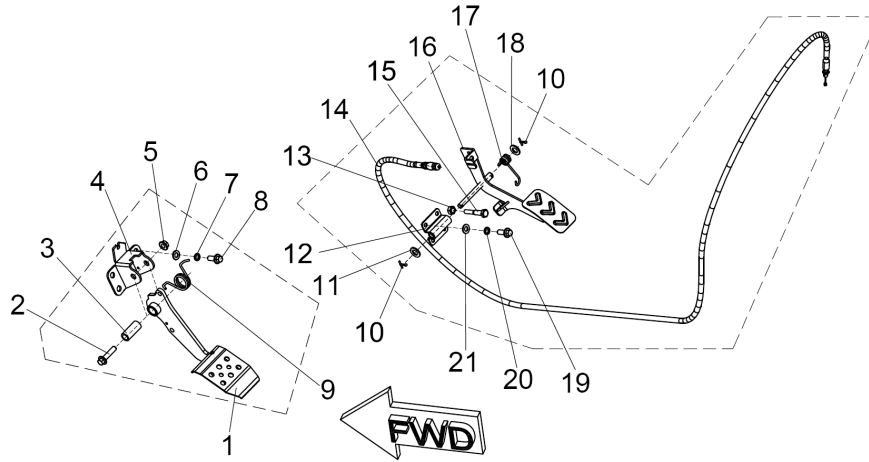
REF.No.	PART No.	PART NAME	Q'TY
1	9184308025261300	Bolt M8×25 (GB/T 16674.1)	8
2	9403108000000000	Spring Washer 8 (GB/T 93)	8
3	9401308000031300	Washer 8 (GB/T 97.1)	8
4	9330310015261300	Nut M10×1.25 (GB/T 6187.2)	4
5	9186310025281300	Bolt M10×1.25×25 (GB/T 5789)	4
6	9330312018261300	Nut M12×1.25 (GB/T 6187.2)	2
7	3MU5087000	Engine buffer mounting bracket, Low	4
8	1MR1000100	Engine buffer rubber, Low	4
9	3MU508A000	Engine mounting plate Assy	1
10	3MU5010100	Engine mounting bracket, F	1
11	9330312018261300	Nut M12×1.25 (GB/T 6187.2)	1
12	3MU5660600	shift flexible shaft mounting plate, R	1
13	3MU5410600	Bolt M12×1.25×85	1
14	9330308013241300	Nut M8 (GB/T 6187.1)	2
15	2MU5015000	Engine buffer rubber	1
16	9330310015261300	Nut M10×1.25 (GB/T 6187.2)	1
17	1MR1000200	Lower engine mounting shaft (L=240)	2
18	1MR1000000	XY192 ENGINE	1

BRAKING ASSY



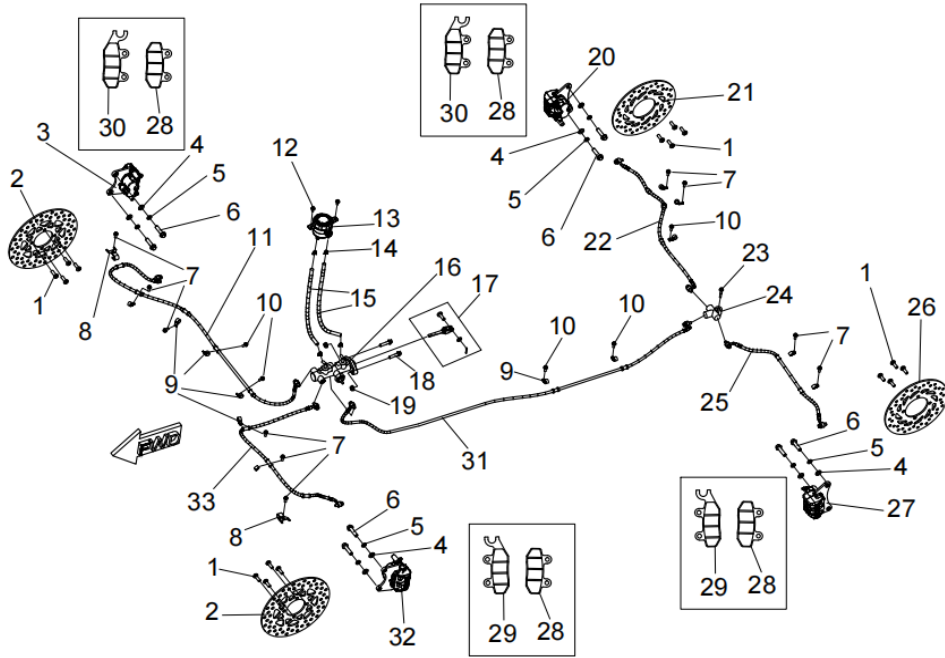
REF.No.	PART No.	PART NAME	Q'TY
1	3MU5655000	Parking pedal Assy	1
2	3MU8057000	Parking switch	1
3	3MU5650000	Foot parking Assy	1
4	3MU5650200	Parking switch spring	1
5	3MU5672000	Foot parking unlocking cable	1
6	3MU5672100	pin shaft	2
7	3MU5672200	Flat washer	2
8	3MU5672300	cotter pin	2
9	9184308025261300	Bolt M8×25 (GB/T 16674.1)	2
10	9184306016101300	Bolt M6×16 (GB/T 16674.1)	4
11	3MU5654000	Parking cable	1
12	3MU5657200	Parking mud guard rubber ring	1
13	3MU5657100	Parking mud guard	1
14	9276360160111300	Screw M6×16 (GB/T 973)	1
15	9271342160006300	Screw ST4.2×16 (GB/T 845)	1

BRAKE, THROTTLE PEDAL



REF.No.	PART No.	PART NAME	Q'TY
1	3MU5616000	Brake pedal Assy	1
2	9186310055281300	Bolt M10×1.25×25 (GB/T 5789)	1
3	3MU5610600	Brake shaft sleeve II	1
4	3MU5610500	Brake pedal mounting plate	1
5	9330310015261300	Nut M10×1.25 (GB/T 6187.2)	1
6	9401308000031300	Spring Washer 8 (GB/T 93)	4
7	9403108000000000	Washer 8 (GB/T 97.1)	4
8	9184308025261300	Bolt M8×25 (GB/T 16674.1)	4
9	3MU5610400	Brake return spring	1
10	9500325025002300	Cotter pin 2.5 × 25	2
11	9401308000031300	Washer 8 (GB/T 97.1)	1
12	3MU5610700	Accelerator pedal fixing block	1
13	9340308013261300	Nut M8 (GB/T 6170)	1
14	3MU5615000	Accelerator cable	1
15	9150308055261300	Bolt M8×55 (GB/T 5782)	1
16	3MU5614000	Accelerator pedal Assy	1
17	3MU5610300	Accelerator pedal return spring	1
18	9401310000031300	Washer 10 (GB/T 97.1)	1
19	9184306016101300	Bolt M6×16 (GB/T 16674.1)	4
20	9403306000002300	Spring Washer 6 (GB/T 93)	4
21	9401306000031300	Washer 6 (GB/T 97.1)	4

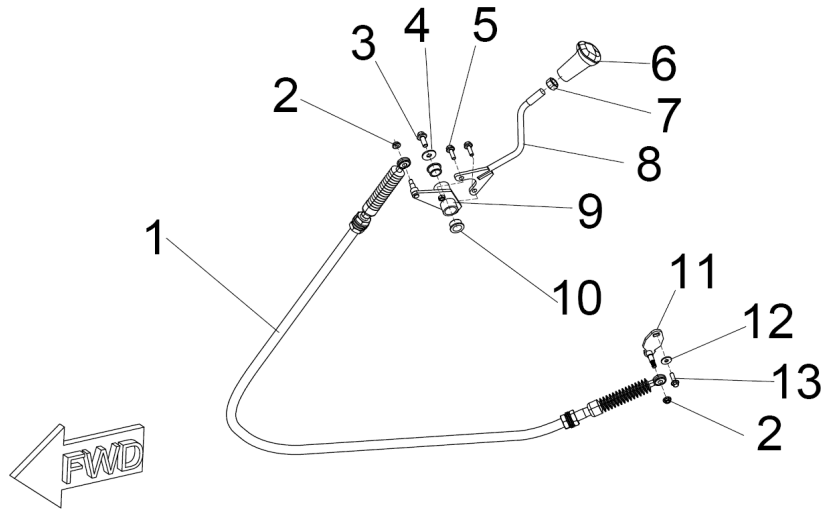
BRAKING SYSTEM



REF.No.	PART No.	PART NAME	Q'TY
1	3MU5631Q00	Brake pad step bolt M8	16
2	3MU5631R00	Brake disc, F	2
3	3MU5631600	Brake caliper, FR	1
4	9401310000031300	Spring Washer 10 (GB/T 93)	8
5	9403110000000000	Washer 10 (GB/T 97.1)	8
6	9186310025281300	Bolt M10×1.25×28 (GB/T 5789)	8
7	9184306012161300	Bolt M6×12 (GB/T 16674.1)	10
8	3MU5631E00	Pipe clamp 1	2
9	3MU5631F00	Pipe clamp 2	13
10	9184306016101300	Bolt M6×16 (GB/T 16674.1)	5
11	3MU5631500	Brake hose, FR	1
12	9184306016101300	Bolt M6×16 (GB/T 16674.1)	2
13	3MU5631G00	Brake fluid tank	1
14	9673311500005300	clip (d= φ 11.5)	4
15	3MU5631H00	Brake fluid tank hose	2
16	3MU5631300	Brake main pump	1
17	3MU5631J00	Brake ram Assy	1
18	9184308032261300	Bolt M8×32 (GB/T 16674.1)	2
19	9330308013241300	Nut M8 (GB/T 6187.1)	2
20	3MU5631D00	Brake caliper, RR	1
21	3MU5631K00	Brake hose, RR	1
22	3MU5631A00	Brake hose, RR	1
23	9184306035166300	Bolt M6×35 (GB/T 16674.1)	1

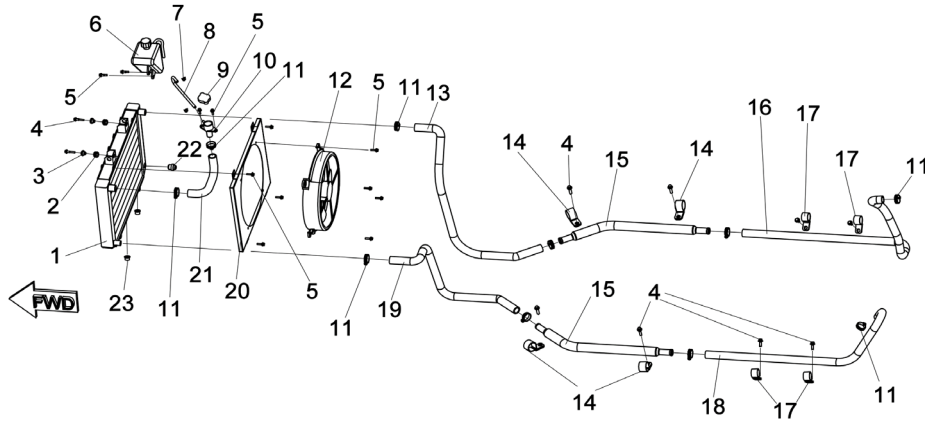
24	3MU5631900	T piece	1
25	3MU5631800	Brake hose, RL	1
26	3MU5631L00	Brake disc, RL	1
27	3MU5631700	Brake caliper, RL	1
28	ZL003·2·1A	Brake shoe 1	4
29	ZL003·2·2A	Brake shoe 2	2
30	ZL015·2·2A	Brake shoe 3	2
31	3MU5631400	Brake hose, R	1
32	3MU5631100	Brake caliper, FL	1
33	3MU5631200	Brake hose, FL	1

SHFITING SYSTEM



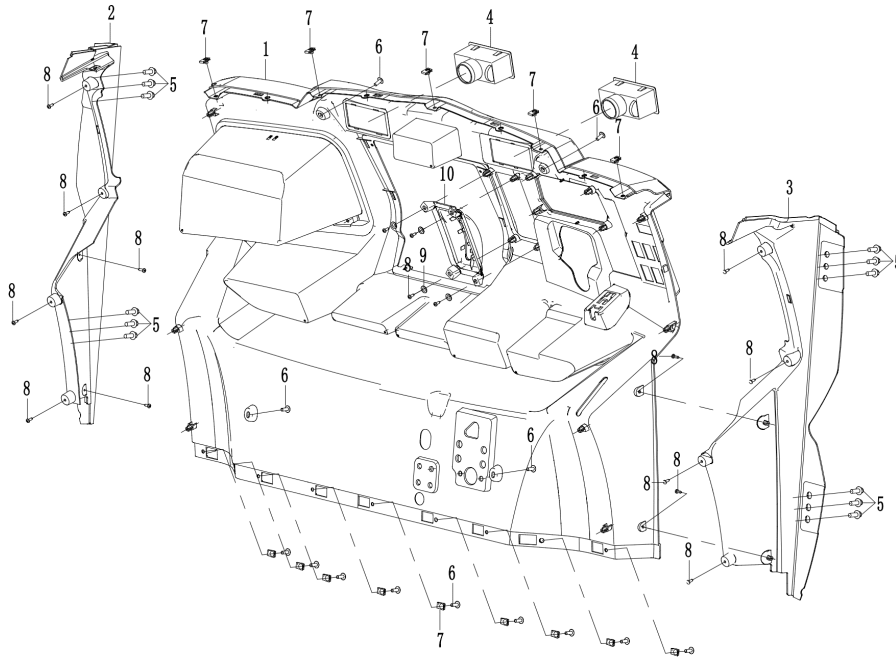
REF.No.	PART No.	PART NAME	Q'TY
1	3MU5662000	Shift flexible shaft	1
2	9320306010202300	Nut M6 (GB/T 6177.1)	2
3	9186308016266300	Bolt M8×16 (GB/T 5789)	1
4	9402308000031300	Washer 10 (GB/T 96.1)	1
5	9184306020361300	Bolt M6×20 (GB/T 16674.1)	2
6	3MU5661200	Shift handle ball joint	1
7	3MU5661300	Shift handle ball joint nut M12×1.75	1
8	3MU5661100	Shift handle	1
9	3MU5663000	Shift shaft sleeve Assy	1
10	3MU5668800	Shift mounting bushing	2
11	3MU5666000	Engine shift rocker arm	1
12	1MR2358900	Washer 6×20×2	1
13	9184306020362300	Bolt M6×20 (GB/T 16674.1)	1

COOLING SYSTEM



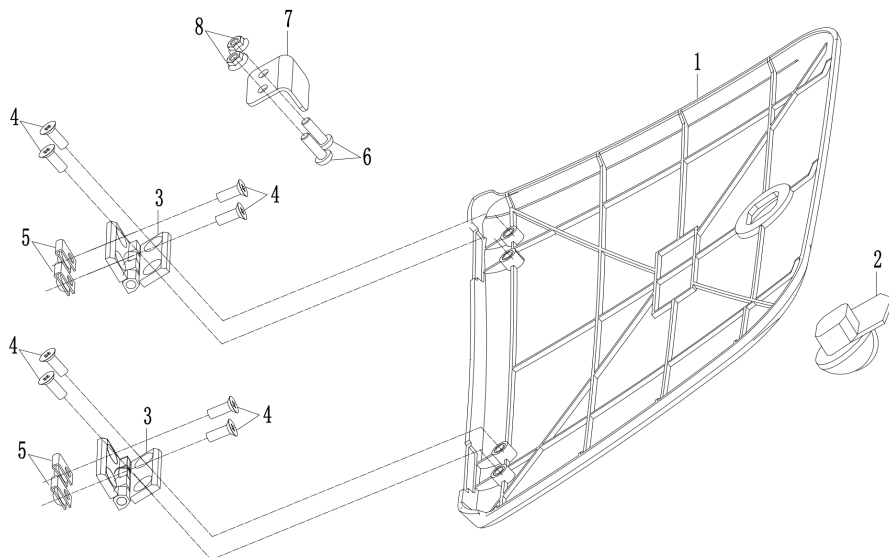
REF.No.	PART No.	PART NAME	Q'TY
1	3MU5042300	Cooling water tank Assy	1
2	3MU5042400	I-shaped rubber pad	2
3	3MU5042500	T-shaped bushing	2
4	9184306025102300	Bolt M6×25 (GB/T 16674.1)	2
5	9184306016101300	Bolt M6×16 (GB/T 16674.1)	2
6	1MQ1249000	Coolant kettle	1
7	9673311500005300	Clip(d=φ11.5)	2
8	1MR1249100	Return pipe	1
9	3MU5042600	Safety pressure valve	1
10	3MU5042700	Water inlet	1
11	1MR1249500	Clamp 19~29	11
12	1MR1248100	Cooling fan	1
13	3MU5041200	Water tank inlet pipe	1
14	3MU5043100	Clip (φ 35)	4
15	1MR1247600	Connecting pipe	2
16	3MU5041400	Engine water outlet pipe	1
17	3MU5043200	Clip (φ 30)	4
18	3MU5041300	Engine water inlet pipe	1
19	3MU5041100	Water tank outlet pipe	1
20	3MU5042200	Fan mounting plate	1
21	3MU5041500	Water tank filling pipe	1
22	1MQ1248600	Temperature control switch	1
23	2MU5040200	Water tank rubber cushion, under	2

DASH BOARD



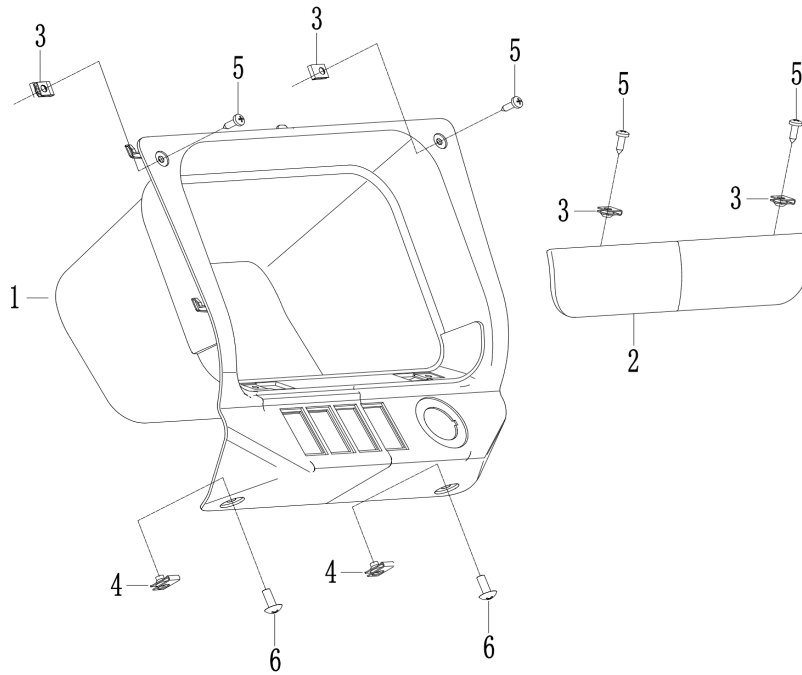
REF.No.	PART No.	PART NAME	Q'TY
1	3MU6014100	Instrument panel	1
2	3MU6018300	Front fender lining, R	1
3	3MU6017300	Front fender lining, L	1
4	3MU6014800	Ventilation grid	2
5	9186308020261300	Bolt M8×20 (GB/T 5789)	12
6	9276360160111300	Screw M6×16 (GB/T 973)	13
7	9312306000106300	Spring Nut M6 (QC/T 608) , small	14
8	9271342130006300	Screw ST4.2×13 (GB/T 845)	16
9	9401305000031300	Washer 5 (GB/T 97.1)	4
10	3MU6014A00	LED gear shift cover	1

RIGHT STORAGE COVER



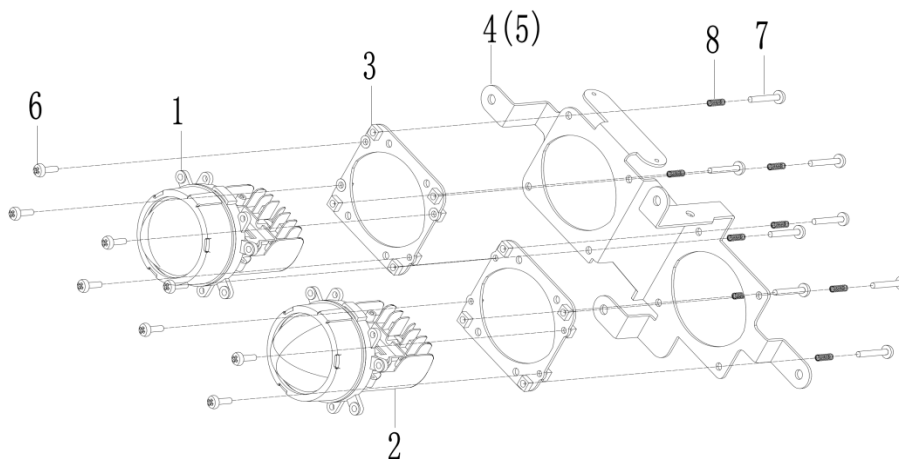
REF.No.	PART No.	PART NAME	Q'TY
1	3MU6014300	Right storage box cover	1
2	3MU6019200	Storage box knob lock	1
3	3MU6019400	Right storage box hinge	2
4	9254350100101300	Screw M5×10 (GB/T 819.1)	4
5	9312305000106300	Spring Nut M5 (QC/T 608)	4
6	9214350160011300	Screw M5×16 (GB/T 818)	2
7	3MU6019100	Storage box lock plate	1
8	9320305010141300	Nut M5 (GB/T 6177.1)	2

CENTER STORAGE BOX



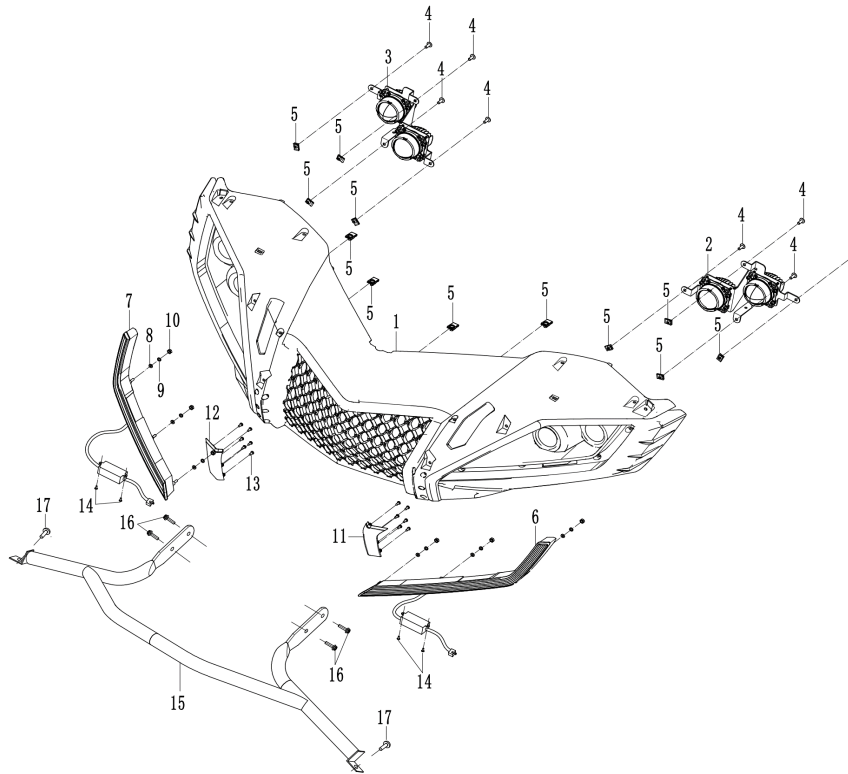
REF.No.	PART No.	PART NAME	Q'TY
1	3MU6014400	Storage box, middle	1
2	3MU6014900	storage box baffle, middle	1
3	9397342000002300	Spring Nut ST4.2 (QC/T 397A)	4
4	9312306000106300	Spring Nut M6 (QC/T 608) , small	2
5	92713481600006300	Screw ST4.8x16 (GB/T 845)	4
6	9276360160111300	Screw M6x16 (GB/T 973)	2

HEAD LIGHTS



REF.No.	PART No.	PART NAME	Q'TY
1	3MU8013100	Headlamps (high beam)	2
2	3MU8013200	Headlamps (low beam)	2
3	3MU5079000	Headlight mounting base	4
4	3MU5071000	Headlight bracket, L	1
5	3MU5072000	Headlight bracket, R	1
6	9214340140005300	Screw M4×14 (GB/T 818)	16
7	9214340250001300	Screw M4×25 (GB/T 818)	16
8	2MU8017300	Headlamp adjusting spring	16

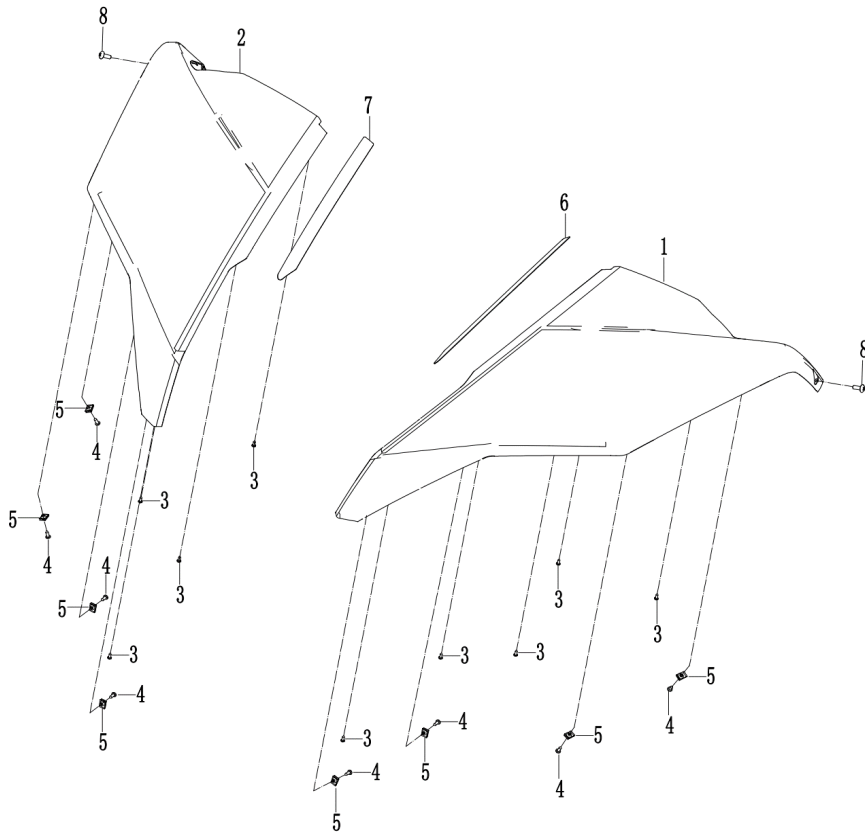
FRONT GRILL



REF.No.	PART No.	PART NAME	Q'TY
1	3MU6013100	Grill, Front	1
2	3XMU801310	Headlamp parking Assy, L	1
3	3XMU801320	Headlamp parking Assy, R	1
4	9276360160111300	Screw M6×16 (GB/T 973)	8
5	9312306000106300	Spring Nut M6 (QC/T 608) , small	12
6	3MU8012000	Turn signal lamp, FL	1
7	3MU8011000	Turn signal lamp, FR	1
8	9401305000031300	Washer 5 (GB/T 97.1)	6
9	9403105000000000	Spirng washer 5 (GB/T 97.1)	6
10	9320305008202300	Nut M5 (GB/T 6177.1)	6
11-1	3MU60114041	Front grill trim panel, L (Red)	1
11-2	3MU60114085	Front grill trim panel, L (camo)	1
11-5	3MU60114072	Front grill trim panel, L (blue)	1
11-6	3MU60114063	Front grill trim panel, L (green)	1
12-1	3MU60115041	Front grill trim panel, R (Red)	1
12-2	3MU60115085	Front grill trim panel, R (camo)	1
12-5	3MU60115072	Front grill trim panel, R (blue)	1
12-6	3MU60115063	Front grill trim panel, R (green)	1
13	9271342130006300	Screw ST4.2×13 (GB/T 845)	12

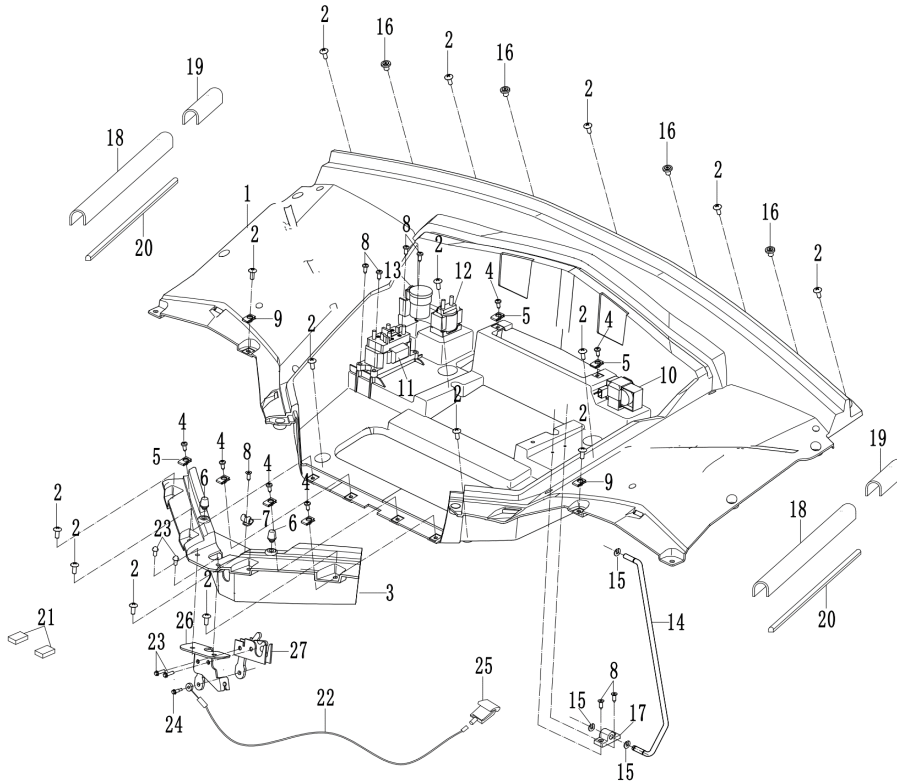
14	9214330080011300	Screw M3×8 (GB/T 818)	4
15	3MU5098000	Front grill support tube	1
16	9186308020261300	Bolt M8×20 (GB/T 5789)	4
17	9276360160111300	Screw M6×16 (GB/T 973)	2

FRONT HOOD COVER



REF.No.	PART No.	PART NAME	Q'TY
1-1	3MU60116041	Removable hood trim panel, L (Red)	1
1-2	3MU60116085	Removable hood trim panel, L (camo)	1
1-5	3MU60116072	Removable hood trim panel, L (blue)	1
1-6	3MU60116063	Removable hood trim panel, L (green)	1
2-1	3MU60117041	Removable hood trim panel, R (Red)	1
2-2	3MU60117085	Removable hood trim panel, R (camo)	1
2-5	3MU60117072	Removable hood trim panel, R (blue)	1
2-6	3MU60117063	Removable hood trim panel, R (green)	1
3	9271342130006300	Screw ST4.2×13 (GB/T 845)	10
4	9271348130006300	Screw ST4.8×13 (GB/T 845)	8
5	9397342000002300	Spring Nut ST4.2 (Q397A)	8
6	3MU6121100	Removable hood trim panel protective film, L	1
7	3MU6121200	Removable hood trim panel protective film, R	1
8	9276360160111300	Screw M6×16 (GB/T 973)	2

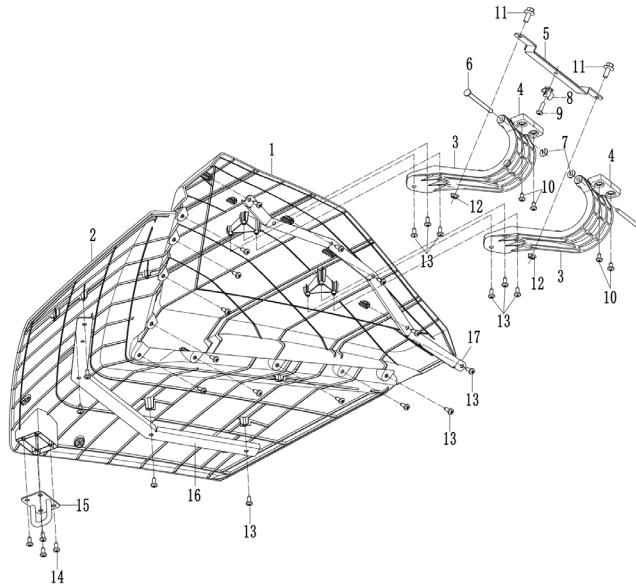
FRONT HOOD UNDER PART



REF.No.	PART No.	PART NAME	Q'TY
1	3MU6011100	Removable hood	1
2	9276360160111300	Screw M6×16 (GB/T 973)	15
3	3MU6011800	Removable hood splice plate	1
4	9271348160006300	Screw ST4.8×16 (GB/T 845)	6
5	9397342000002300	Spring Nut ST4.2 (Q397A)	6
6	3MU5900200	Rear cover rubber buffer	2
7	3MU6012400	Stay rod hoop	1
8	9274342190001300	Screw ST4.2×19 (GB/T 845)	7
9	9312306000106300	Spring Nut M6 (QC/T 608) , small	2
10	1MU8091000	Reversing buzzer	1
11	2MUX802020	Winch relay	1
12	2MU8095000	Start relay	1
13	2MU8020800	Flash buzzer (LED)	1
14	3MU6012500	Removable hood cover stay rod	1
15	9436106000000000	Retaining ring 6 (GB/T 896)	3
16	3MU6015200	Plastic expansion screw	4
17	3MU6012300	Stay rod base	1
18	3MUX612131	U-shaped rubber strip (Z-10 240mm)	2
19	3MUX612132	U-shaped rubber strip (Z-10 70mm)	2
20	3MUX612140	Sealing strip (230mm)	2
21	1MUX618010	Sponge damping pad	2

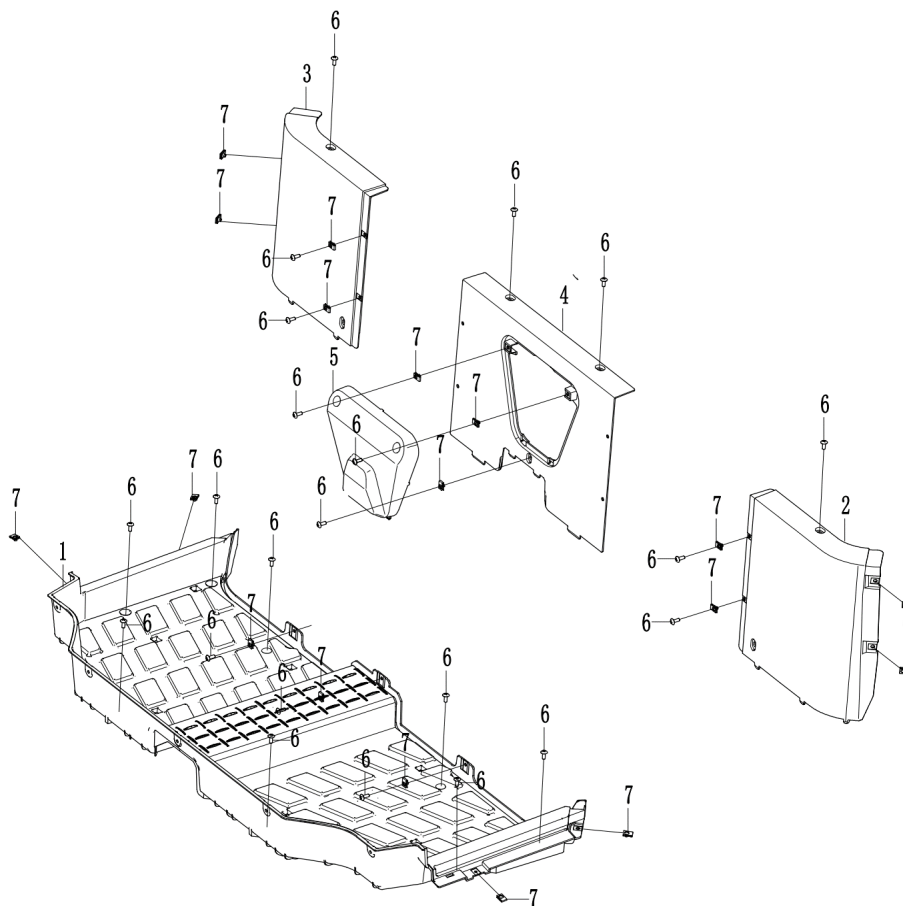
22	3MU5645000	Removable hood cover unlocking cable	1
23	9186306016166300	Bolt M6×16 (GB/T 5789)	4
24	3MU5646000	Removable hood lock step bolt	1
25	3MU5647000	Removable hood lock switch	1
26	3MU6019600	Removable hood lock bracket	1
27	3MU6019500	Removable hood lock	1

FRONT HOOD COVER 2



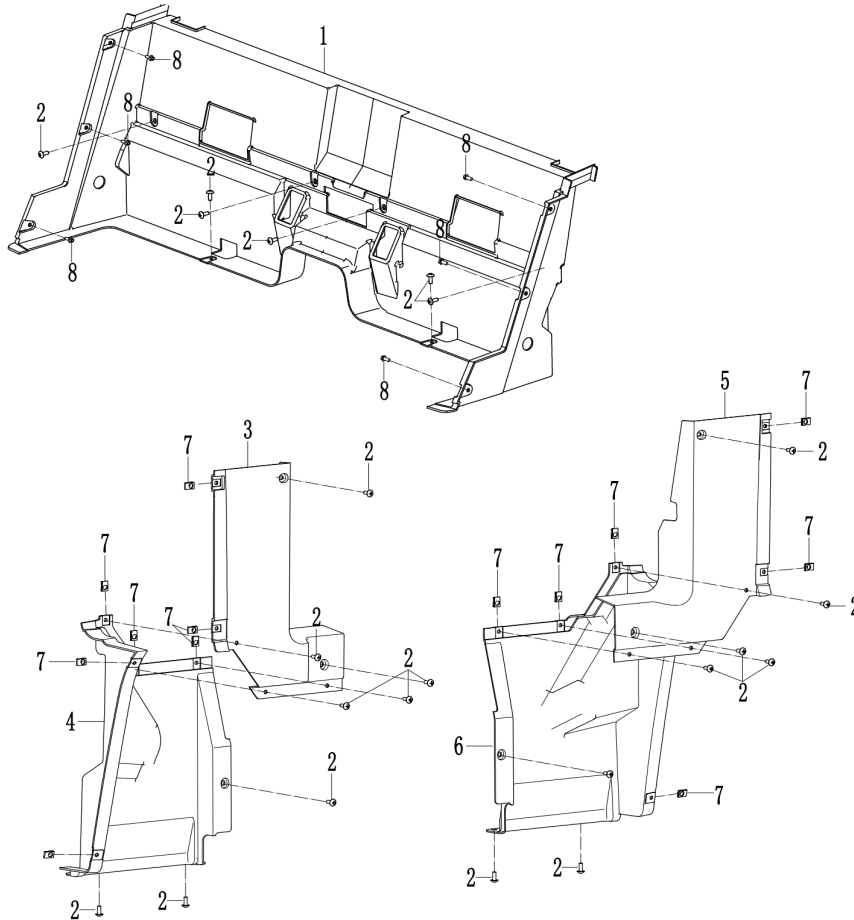
REF.No.	PART No.	PART NAME	Q'TY
1	3MU6011200	Removable hood cover	1
2-1	3MU60113041	Removable hood cover trim panel, (Red)	1
2-2	3MU60113085	Removable hood cover trim panel, (camo)	1
2-5	3MU60113072	Removable hood cover trim panel, (blue)	1
2-6	3MU60113063	Removable hood cover trim panel, (green)	1
3	3MU6012110	Removable hood cover hinge	2
4	3MU6012210	Removable hood cover hinge base	2
5	3MU6012700	Hinge support connecting plate	1
6	3MU6012600	Hinge pin	2
7	9436105000000000	Retaining ring 5 (GB/T 896)	2
8	3MU6012A00	Stay rod hoop (Metal)	1
9	9214340140005300	Screw M4×14 (GB/T 818)	1
10	9271348130006300	Screw ST4.8×13 (GB/T 845)	4
11	9186306016166300	Bolt M6×16 (GB/T 5789)	4
12	9330306010141300	Nut M6 (GB/T 6187.1)	2
13	9271342130006300	Screw ST4.2×13 (GB/T 845)	18
14	9274342190001300	Screw ST4.2×19 (GB/T 845)	4
15	3MU5073000	Front grill lock latch	1
16	3MU6012800	Removable hood cover support plate 1	1
17	3MU6012900	Removable hood cover support plate 2	1
18	9271342160002300	Screw ST4.2×16 (GB/T 845)	6

SEATS FRONT SURROUNDING



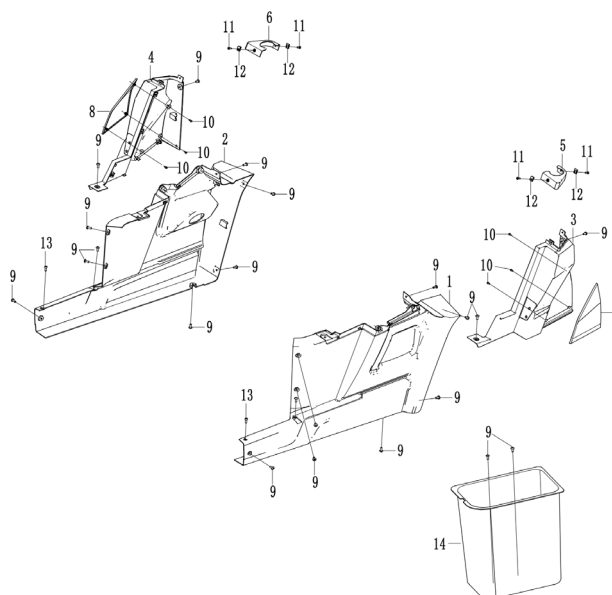
REF.No.	PART No.	PART NAME	Q'TY
1	3MU6015100	Floor	1
2	3MU6024100	Seat coaming, L	1
3	3MU6025100	Seat coaming, R	1
4	3MU6023100	Seat coaming, F	1
5	3MU6023200	Air filter maintenance plate	1
6	9276360160111300	Screw M6×16 (GB/T 973)	22
7	9312306000106300	Spring Nut M6 (QC/T 608), small	18

SEAT BACK SURROUNDING



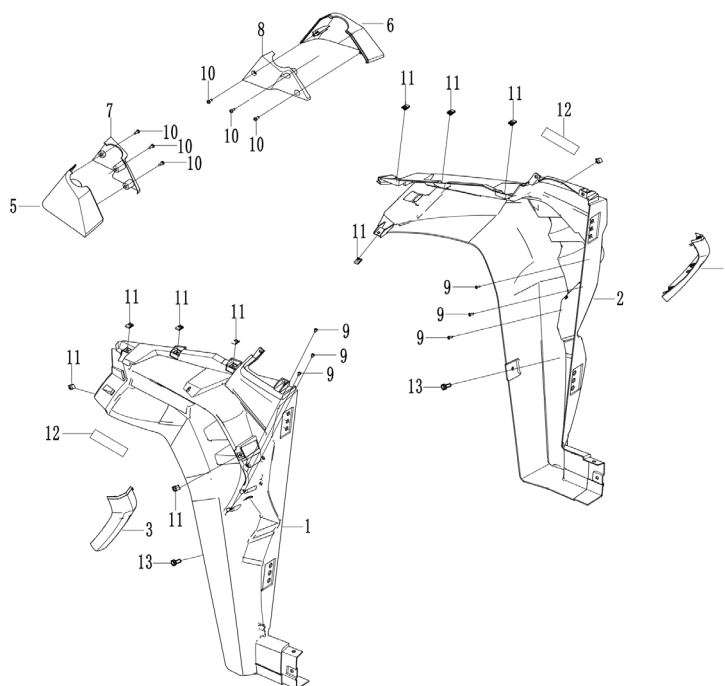
REF.No.	PART No.	PART NAME	Q'TY
1	3MU6031100	Seat rear fender	1
2	9276360160111300	Screw M6×16 (GB/T 973)	22
3	3MU6032200	Seat rear fender, Up, L	1
4	3MU6032100	Seat rear fender, Low, L	1
5	3MU6033200	Seat rear fender, Up, R	1
6	3MU6033100	Seat rear fender, Low, R	1
7	9312306000106300	Spring Nut M6 (QC/T 608), small	14
8	9184306012161300	Bolt M6×12 (GB/T 16674.1)	6

SIDE COVER



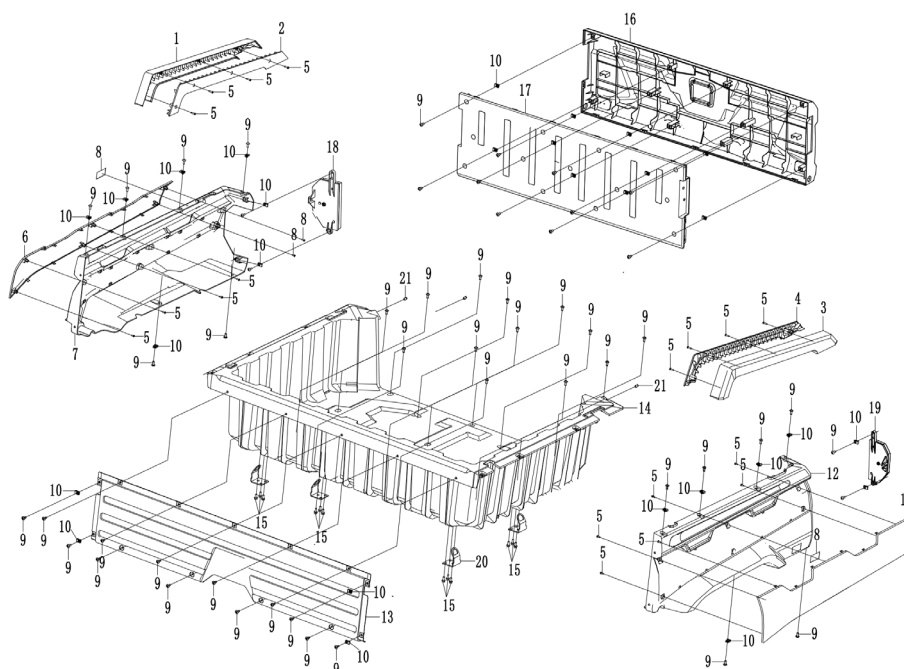
REF.No.	PART No.	PART NAME	Q'TY
1	3MU6024200	Side panel, L	1
2	3MU6025200	Side panel, R	1
3	3MU6024300	Side panel, up, L	1
4	3MU6025300	Side panel, up, R	1
5	3MU6024500	ROP sheath, RL	1
6	3MU6025500	ROP sheath, RR	1
7-1	3MU60244041	Rear fender trim panel, L (Red)	1
7-2	3MU60244085	Rear fender trim panel, L (camo)	1
7-5	3MU60244072	Rear fender trim panel, L (blue)	1
7-6	3MU60244063	Rear fender trim panel, L (green)	1
8-1	3MU60254041	Rear fender trim panel, R (Red)	1
8-2	3MU60254085	Rear fender trim panel, R (camo)	1
8-5	3MU60254072	Rear fender trim panel, R (blue)	1
8-6	3MU60254063	Rear fender trim panel, R (green)	1
9	9276360160111300	Screw M6×16 (GB/T 973)	18
10	9271342130006300	Screw ST4.2×13 (GB/T 845)	6
11	9271348130006300	Screw ST4.8×13 (GB/T 845)	4
12	9397342000002300	Spring Nut ST4.2 (Q397A)	4
13	9184306012161300	Bolt M6×12 (GB/T 16674.1)	2
14	3MU6022100	Storage box	1

FRONT FENDER



1	3MU6017100	Front fender, L	1
2	3MU6018100	Front fender, R	1
3-1	3MU60172041	Front fender trim panel, L (Red)	1
3-2	3MU60172085	Front fender trim panel, L (camo)	1
3-5	3MU60172072	Front fender trim panel, L (blue)	1
3-6	3MU60172063	Front fender trim panel, L (green)	1
4-1	3MU60182041	Front fender trim panel, R (Red)	1
4-2	3MU60182085	Front fender trim panel, R (camo)	1
4-5	3MU60182072	Front fender trim panel, R (blue)	1
4-6	3MU60182063	Front fender trim panel, R (green)	1
5	3MU6017400	Front ROP sheath, L, outside	1
6	3MU6018400	Front ROP sheath, R, outside	1
7	3MU6017500	Front ROP sheath, L, inside	1
8	3MU6018500	Front ROP sheath, R, inside	1
9	9271342130006300	Screw ST4.2×13 (GB/T 845)	6
10	9271348160006300	Screw ST4.8×16 (GB/T 845)	6
11	9312306000106300	Spring Nut M6 (QC/T 608), small	10
12	3MU6121500	Reflective film (orange)	2
13	9184306012161300	Bolt M6×12 (GB/T 16674.1)	2

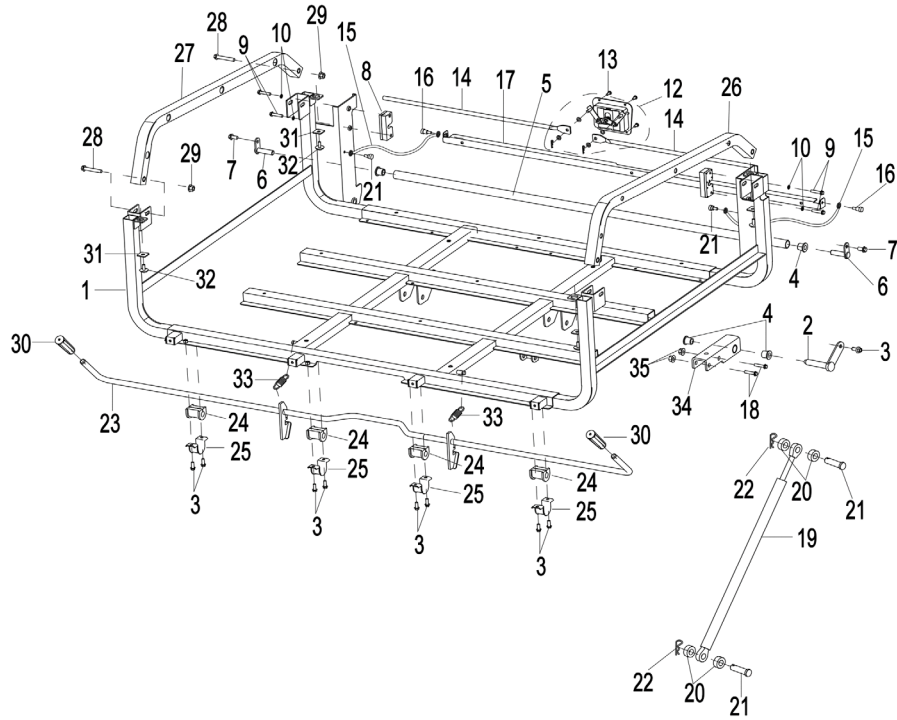
CARGO BOX



REF.No.	PART No.	PART NAME	Q'TY
1	3MU5932200	Cargo box handrail, R, outside	1
2	3MU5932400	Cargo box handrail, R, inside	1
3	3MU5932100	Cargo box handrail, L, outside	1
4	3MU5932300	Cargo box handrail, L, inside	1
5	9271342160002300	Screw ST4.2×13 (GB/T 845)	20
6-1	3MU59314041	Cargo box trim panel, R (Red)	1
6-2	3MU59314085	Cargo box trim panel, R (camo)	1
6-5	3MU59314072	Cargo box trim panel, R (blue)	1
6-6	3MU59314063	Cargo box trim panel, R (green)	
7	3MU5931200	Cargo box side plate, R	1
8	3MU6121500	Reflective film (orange)	2
9	9276360160111300	Screw M6×16 (GB/T 973)	52
10	9312306000106300	Spring Nut M6 (QC/T 608), small	30
11-1	3MU59313041	Cargo box trim panel, L (Red)	1
11-2	3MU59313085	Cargo box trim panel, L (camo)	1
11-5	3MU59313072	Cargo box trim panel, L (blue)	1
11-6	3MU59313063	Cargo box trim panel, L (green)	1
12	3MU5931100	Cargo box side plate, L	1
13	3MU5931800	Cargo box front cover plate	1
14	3MU5931700	Cargo box body	1
15	9186306016166300	Bolt M6×16 (GB/T 5789)	12
16	3MU5931500	Cargo box rear cover plate, outside	1
17	3MU5931600	Cargo box rear cover plate, inside	1
18	3MU8015000	Rear lamp, R	1

19	3MU8014000	Rear lamp, L	1
20	3MU5917000	Cargo box hook	4
21	3MU5900200	Rear cover rubber buffer	2
22	3MU6121500	Reflective film (orange)	2

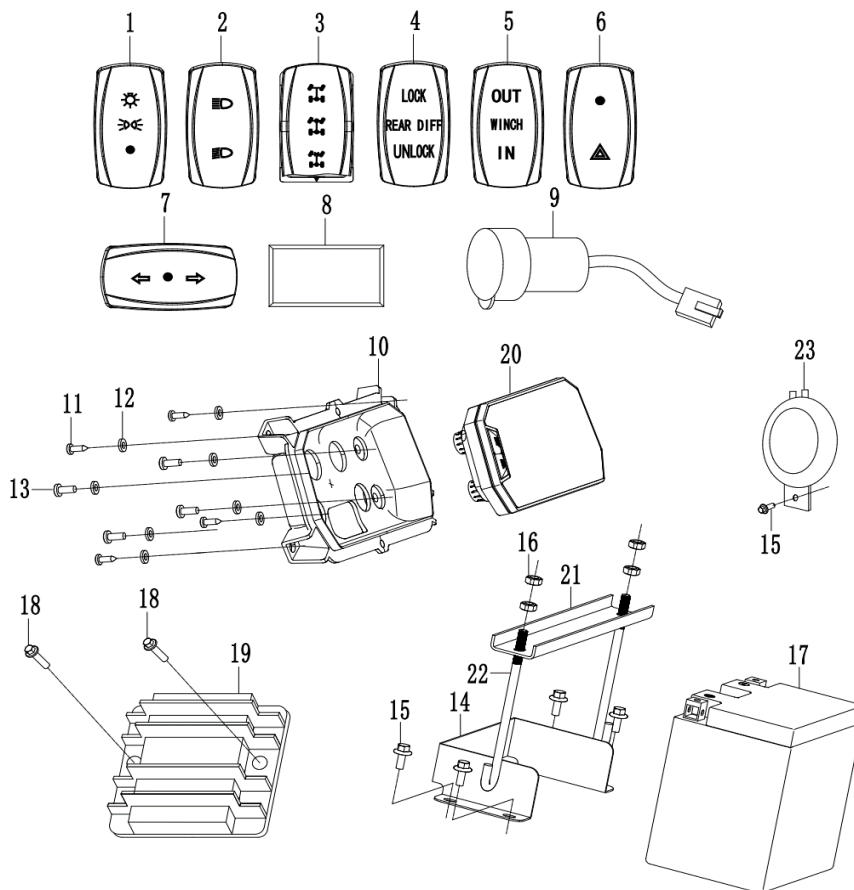
CARGO BOX SUPPORT



REF.No.	PART No.	PART NAME	Q'TY
1	3MU5901000	Cargo box underframe Assy	1
2	3MU5918000	Cargo box latch Assy	2
3	9186306016166300	Bolt M6×16 (GB/T 5789)	10
4	2MU5903700	Plastic bushing	6
5	3MU5904000	Cargo box shaft	1
6	3MU5905000	Cargo box shaft pin	2
7	9186308016266300	Bolt M8×16 (GB/T 5789)	2
8	3MU5906000	Cargo box rear cover side lock	2
9	9186306030166300	Bolt M6×30 (GB/T 5789)	4
10	9401306000031300	Washer 6 (GB/T 97.1)	4
12	3MU5907000	Cargo box lock wrench	1
13	9271348160006300	Screw ST4.8×16 (GB/T 845)	4
14	3MU5908000	Cargo box lock connecting rod	2
15	3MU5909000	Cargo box pull rope	2
16	3MU5911100	Plug bolt φ 8*12*M6	2
17	3MU5912000	Step bolt mounting base	1
18	9186310060281300	Bolt M10×1.25×60 (GB/T 5789)	4
19	3MU5913000	Gas spring	1
20	3MU5914000	Gas spring rubber pad	4
21	3MU5911100	Plug bolt φ 8*12*M6	2
21	3MU5915000	Pin (φ10*45)	2
22	9500301830000000	B-pin 1.8×30 (GB/T 623)	2

23	3MU5916000	Cargo box wrench Assy	1
24	3MU5916700	Cargo box wrench rubber	4
25	3MU5916800	Cargo box wrench mounting plate	4
26	3MU5921000	cargo box handrail pipe, L	1
27	3MU5922000	cargo box handrail pipe, R	1
28	9186308055261300	Bolt M8×55 (GB/T 5789)	4
29	9330308013241300	Nut M8 (GB/T 6187.1)	4
30	3MU5910700	Cargo box wrench rubber sleeve	2
31	3MU5923000	Square gasket φ8	4
32	9276360160111300	Screw M6×16 (GB/T 973)	4
33	1MU5910500	Cargo box wrench spring	2
34	3MU5924000	Cargo box connecting bracket	2
35	9330310015261300	Nut M10×1.25 (GB/T 6187.2)	4

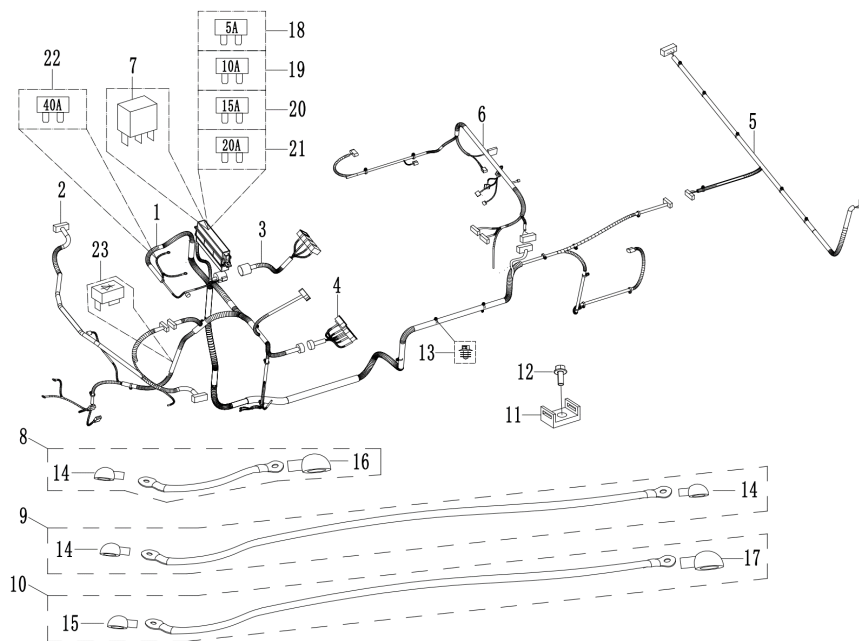
ELECTRIC PARTS



REF.No.	PART No.	PART NAME	Q'TY
1	3MU8052000	Headlight switch	1
2	3MU8053000	H/L beam switch	1
3	3MU8058000	4WD combination switch	1
4	3MU8055000	Rear differential lock switch	1
5	3MU8056000	Winch switch	1
6	3MU8054000	Emergency switch	1
7	3MU8059000	Turn signal switch	1
8	1MU6014500	Switch cover	4
9	1MU8063000	Accessory socket	1
10	3MU6014700	Meter mounting plate	1
11	9214350120011300	Screw M5×12 (GB/T 818)	4
12	9401305000031300	Washer 5 (GB/T 97.1)	8
13	9271342130006300	Screw ST4.2×13 (GB/T 845)	4
14	3MU5074000	Battery limiting plate	1
15	9186306016166300	Bolt M6×16 (GB/T 5789)	5
16	9340308013261300	Nut M8 (GB/T 6170)	4
17	2MU8098010	Battery 12V 32Ah	1

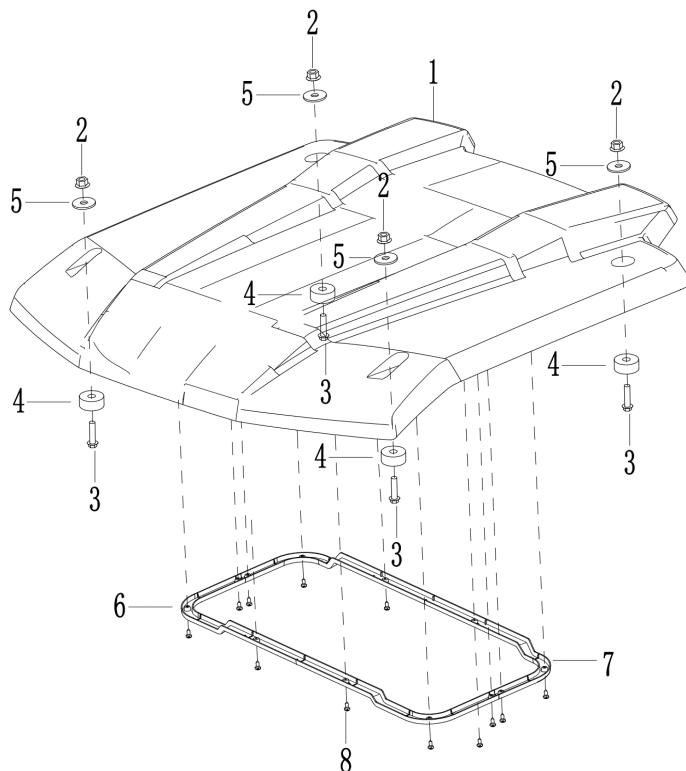
18	3MU8062000	Regulator	1
19	9184306035166300	Bolt M6×35 (GB/T 16674.1)	2
20	3MU8031000	TFT Meter	1
21	3MU5096000	Battery press plate	1
22	3MU5097000	Battery fastening screw	2
23	1MU8064000	Horn	1

WIREHARNESS



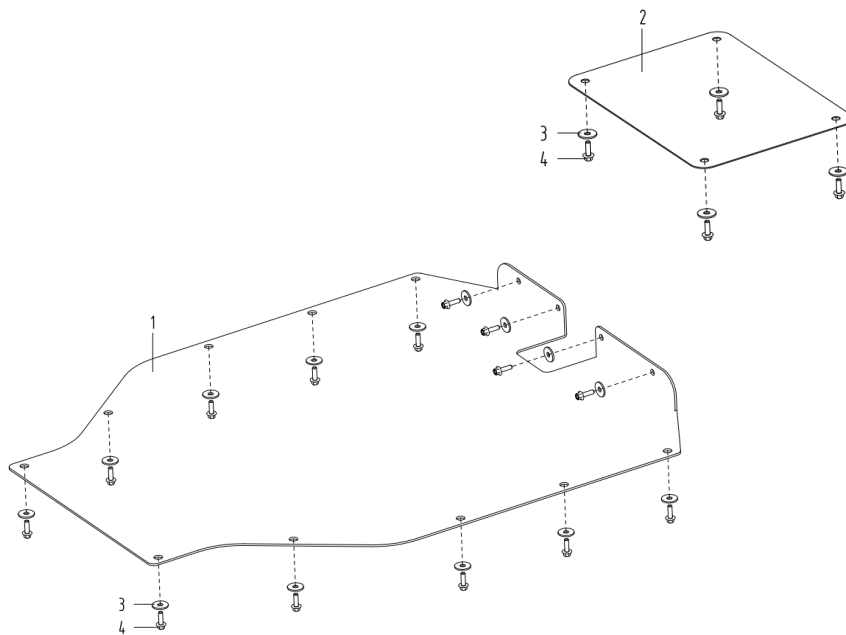
REF.No.	PART No.	PART NAME	Q'TY
1	3MU8070000	Main wiring	1
2	3MU8087000	Headlight wiring	1
3	3MU8085000	Panel switch wiring (middle)	1
4	3MU8088100	Panel switch wiring (left, configuration)	1
5	3MU8086000	Tail light wiring	1
6	3MU8083000	EFI wiring	1
7	4EG8017010	Relay (JD1926A)	1
8	3MU8081000	Starting wiring (relay to battery+)	1
9	3MU8082000	Starting wiring (motor to battery-)	1
10	3MU8084000	Starting wiring (motor to start relay)	1
11	3MU8051100	Tie mounting base (square)	6
12	9174306016161300	Bolt M6×16 (GB/T 29.2)	6
13	3MU8051200	Tie mounting base (circular)	19
14	3MU8081100	Red rubber cap (small)	3
15	3MU8084100	Black rubber cap (small)	1
16	3MU8081200	Red rubber cap (big)	1
17	3MU8084200	Black rubber cap (big)	1
18	3MU8070100	Fuse (5A)	1
19	3MU8070200	Fuse (10A)	3
20	3MU8070300	Fuse (15A)	2
21	3MU8070400	Fuse (20A)	3
22	3MU8070500	Fuse (40A)	2
23	2MU8088000	Protector	2

TOP



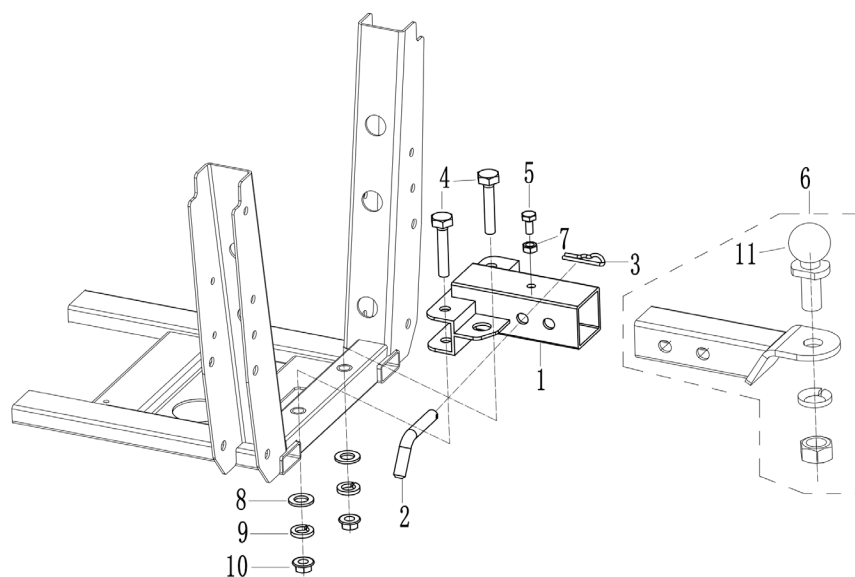
REF.No.	PART No.	PART NAME	Q'TY
1	3MU6021100	Roof	1
2	9330306010141300	Nut M6 (GB/T 6187.1)	4
3	9186306030166300	Bolt M6×30 (GB/T 5789)	4
4	2MD7060700	Roof rubber	4
5	9402306000031300	Washer 6 (GB/T 96.1)	4
6	3MU6021200	Plastic roof frame, F	1
7	3MU6021300	Plastic roof frame, R	1
8	3MU6021400	Screw M5×12	12

CHASIS GUARD BORAD



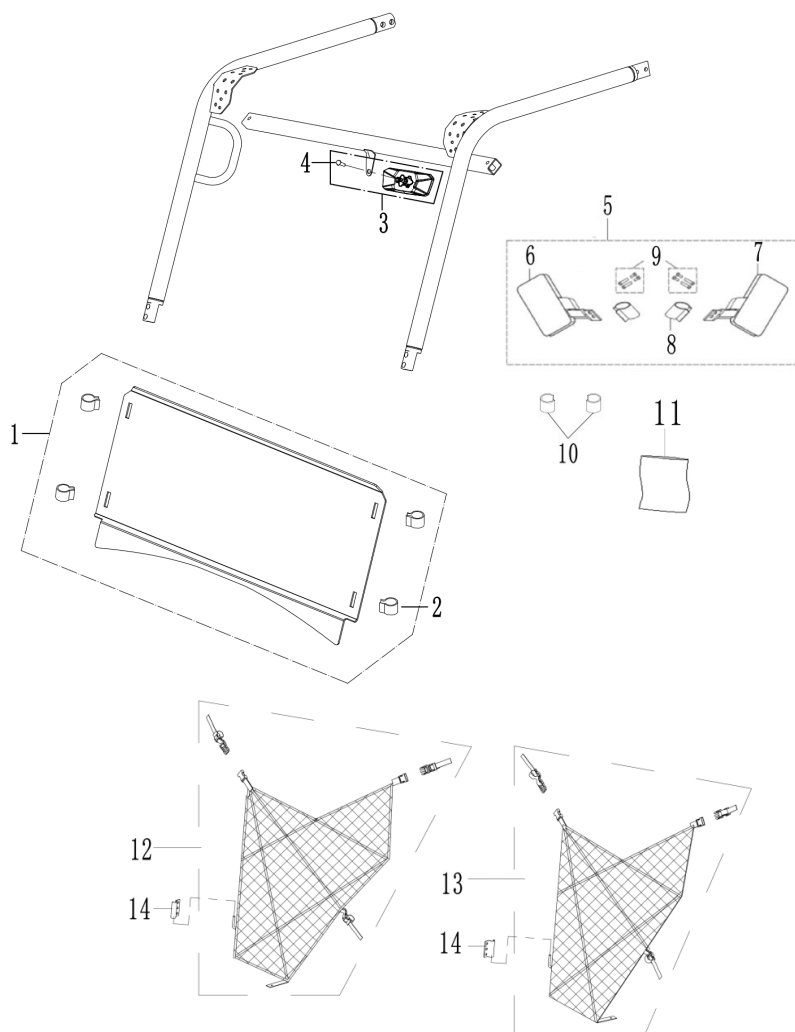
REF.No.	PART No.	PART NAME	Q'TY
1	3MU6026100	Chassis guard, F	1
2	3MU6026200	Chassis guard, R	1
3	9402308000031300	Washer 8 (GB/T 96.1)	18
4	9184306020361300	Bolt M6×20 (GB/T 16674.1)	18

TOWING HOOK



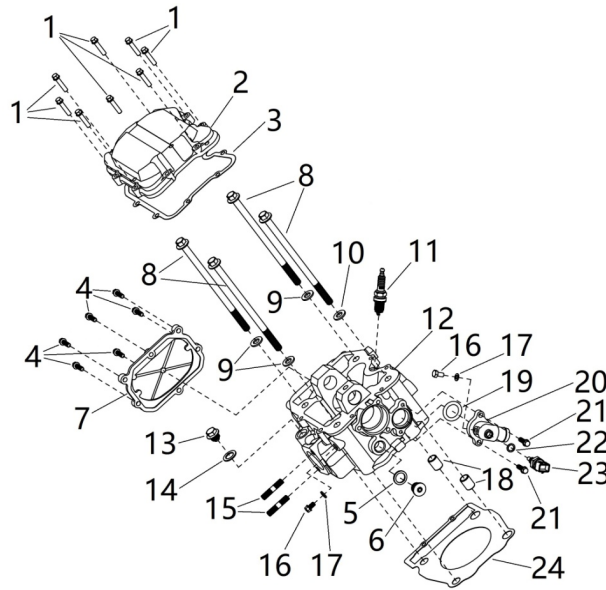
REF.No.	PART No.	PART NAME	Q'TY
1	3MU5077000	Rear towing hook connection bracket	1
2	3MU5078000	Pin	1
3	9501304075000000	B-pin 4×75 (GB/T 623)	1
4	1MU5410100	Bolt M12×1.25×75	2
5	9186310020281300	Bolt M10×1.25×20	
6	1MU7014000	Rear towing hook Assy(American Standard)	1
7	9340310016262300	Nut M10×1.25 (GB/T 6171)	1
8	9401312000031300	Washer 12 (GB/T 97.1)	2
9	9403112000000000	Spring washer 12 (GB/T 93)	2
10	9330312018261300	Nut M12×1.25 (GB/T 6187.2)	2
11	1MU7014100	Ball joint (American Standard)	1

ACCESSORIES



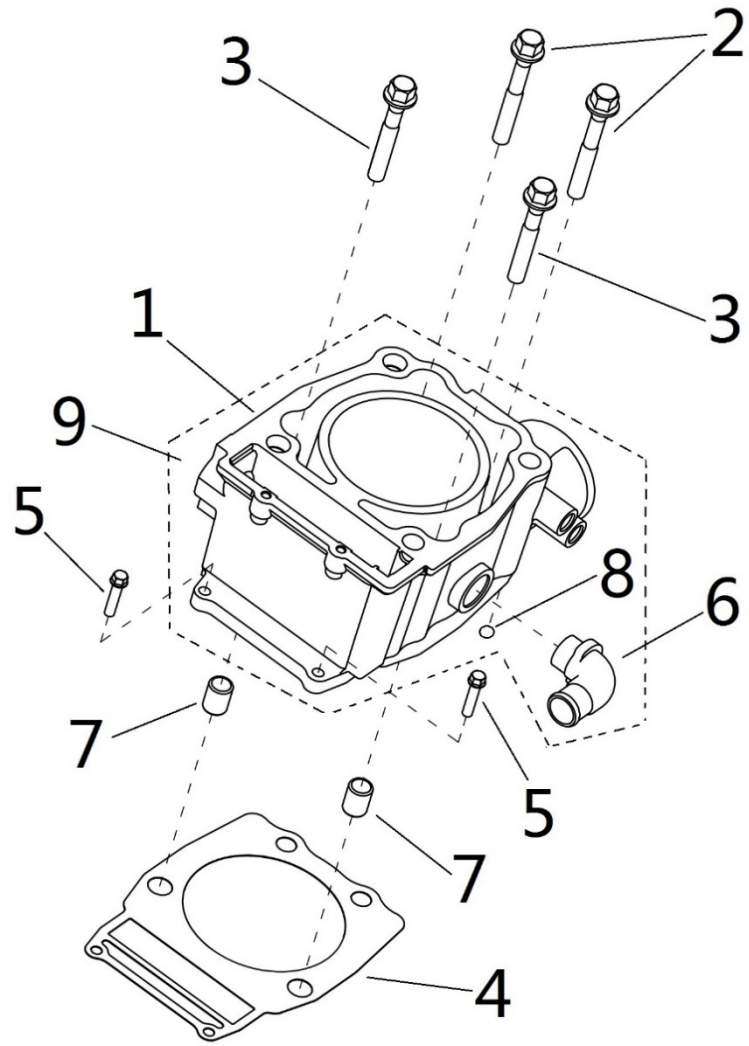
REF.No.	PART No.	PART NAME	Q'TY
1	3MU7071000	Windshield	1
2	3MU7071100	Windshield hoop	4
3	3MU7023000	Rear view mirror, middle	1
4	3MU7023100	Screw M8×16 (GB/T 973)	1
5	2MUX7021010	Rear/ Left rear view mirror	1
6	2MUX702111	Rear view mirror, L	1
7	2MUX702112	Rear view mirror, R	1
8	2MUX702113	Hoop	2
9	2MUX702115	Rear view mirror bolt	4
10	3MU7024000	Rear view mirror	2
11	3MU6152100	Vehicle tools	1
12	3MU7216010	Side guard, L	1
13	3MU7217010	Side guard, R	1
14	3MU7218000	Side guard mounting plate	2

CYLINDER HEAD COMPONENT



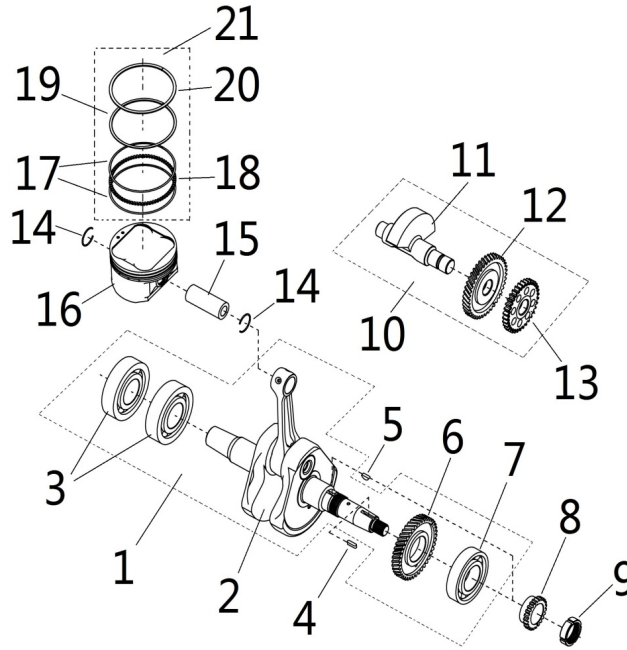
REF.No.	PART No.	PART NAME	Q'TY
1	9184306028362300	BOLT M6×28	10
2	1MR1119100	CYLINDER HEAD COVER	1
3	1MR1119300	GASKET, CYLINDER HEAD COVER	1
4	9184306020362300	BOLT M6×20	6
5	1MR1248800	SCREWED PLUG M16×1.5	1
6	1MR1248700	ALUMINUM WASHER 16	1
7	1MR1116800	CYLINDER HEAD SIDE COVER	1
8	1MR1118300	BOLT M10×190×1.5	4
9	9401310000031300	WASHER 10	3
10	1MR1513100	COPPER WASHER 10	1
11	1MR1115000	PIUG SPARK K6RTC	1
12	1MR1110100	CYLINDER HEAD ASSY.	1
13	1MR1249000	SCREWED PLUG M14×1.5	1
14	1MQ4611500	ALUMINUM WASHER 14	1
15	9120308042362300	BOLT STUD M8×42	2
16	9186306012162300	BOLT M6×12	2
17	1ME1132100	WASHER 6.5	2
18	1MR1118200	PIN DOWEL 15×20	2
19	1MR1246500	O-RING 21.5×5	1
20	1MR1246200	THERMOSTAT HOUSING	1
21	9184306020362300	BOLT M6×20	2
22	1MR1512600	ALUMINUM WASHER 10	1
23	1MR1246300	COOLANT SENSOR	1
24	1MR1118100	GASKET, CYLINDER HEAD	1

CYLINDER COMPONENTS



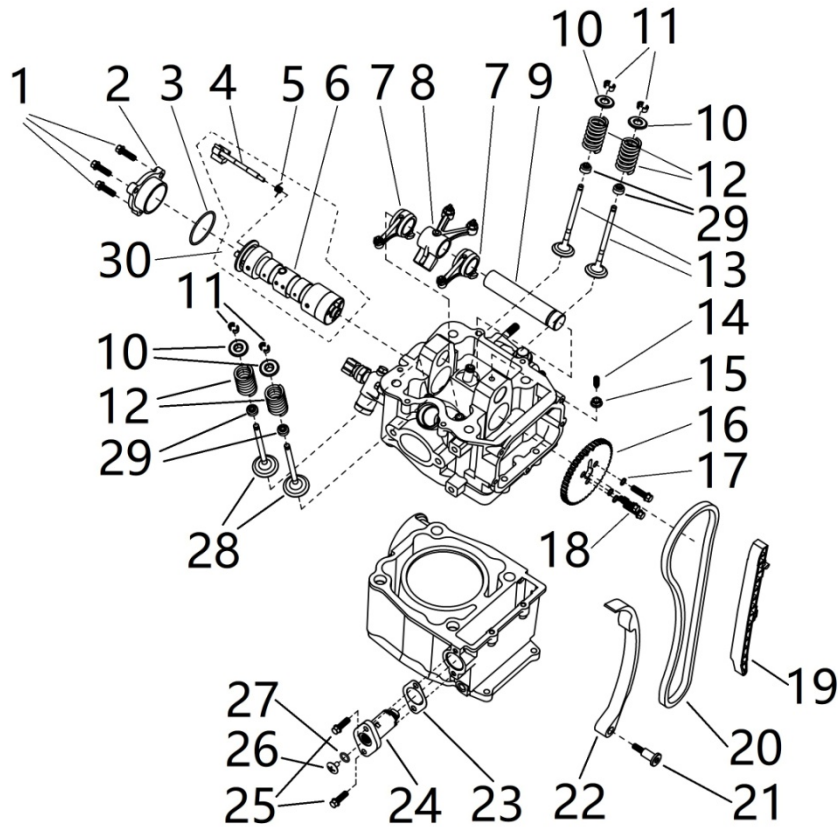
REF.No.	PART No.	PART NAME	Q'TY
1	1MR1131200	CYLINDER BODY	1
2	1MR1131700	BOLT M10×78	2
3	1MR1131600	BOLT M10×70	2
4	1MR1135100	GASKET, CYLINDER	1
5	9184306028362300	BOLT M6×28	2
6	1MR1131500	WATER INLET,CYLINDER	1
7	1MR1118200	DOWEL PIN 15×20	2
8	1MR1131800	STEEL BALL SR5	1
9	1MR1131100	CYLINDER	1

CRANKSHAFT COMPONENTS



REF.No.	PART No.	PART NAME	Q'TY
1	1MR1141000	CRANKSHAFT ASSY.	1
2	1MR1141100	CRANKSHAFT	1
3	93306307P501	BEARING 6307 P5	2
4	9551040015000000	FLAT KEY 4×15	1
5	1MR1143100	WOODRUFF KEY	1
6	1MR1145100	CRANK BALANCER DRIVE GEAR	1
7	93306207C302	BEARING 6207 C3 NTN	1
8	1MR1154900	CRANKSHAFT SPROCKET	1
9	1MR1155000	ROUND NUT M28×1.5	1
10	1MR1145000	BALABCE SHAFT ASSY.	1
11	1MR1145300	BALABCE SHAFT	1
12	1MR1145200	BALANCER SHAFT DRIVE GEAR	1
13	1MR1146100	BALANCER SHAFT OIL PUMP DRIVE GEAR	1
14	1MR1163400	CLIP	2
15	1MR1163300	PISTON PIN	1
16	1MR1163100	PISTON	1
17	1MR1161500	SCRAPPER RING	2
18	1MR1161400	OIL CONTROL RING	1
19	1MR1161200	PISTON 2ND RING	1
20	1MR1161100	PISTON TOP RING	1
21	1MR1161000	PISTON RING ASSY.	1

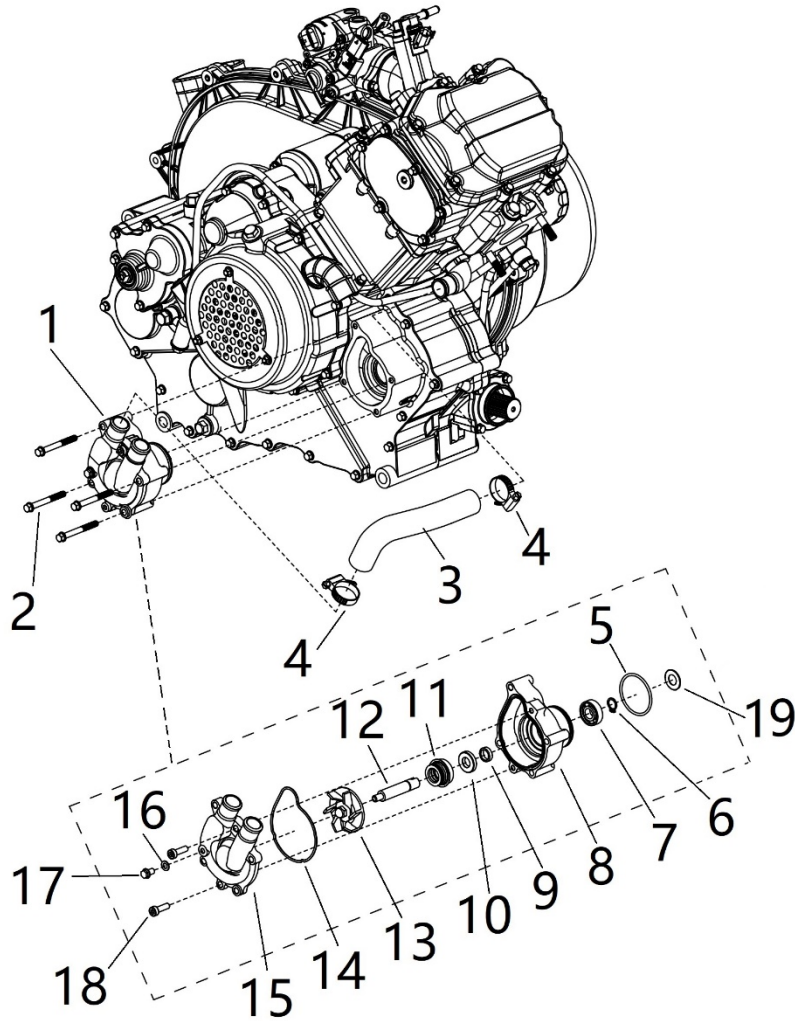
VAVLE TRAIN MECHANISM



REF.No.	PART No.	PART NAME	Q'TY
1	9184306020362300	BOLT M6×20	3
2	1MR1217500	CAMSHAFT COVER	1
3	1MR1217700	O-RING 43×2	1
4	1MR1228000	VACUUM CENTRIFUGE AXIS	1
5	1MR1228700	DECOMPRESSION RETURN SPRING	1
6	1MR1217810	CAMSHAFT	1
7	1MR1215000	INTAKE SIDE ROCKER ARM VALVE	2
8	1MR1215100	EXHAUST SIDE ROCKER ARM VALVE	1
9	1MR1215600	ROCKER SHAFT	1
10	1MR1211600	RETAINER SPRING VALVE	4
11	1MR1211800	COTTER VALVE	8
12	1MR1211300	SPRING VALVE	4
13	1MR1212100	EXHAUST VALVE	2
14	1MR1246600	SLOTTED SET SCREWS WITH CONE POINT M6×17	1
15	1MR1246700	NUT M6	1
16	1MR1217600	CAMSHAFT SPROCKET	1
17	9403106000000000	SINGLE COIL SPRING LOCK WASHER 6	3
18	9184306022102300	GASKET, TENSIONER CASEGASKET, TENSIONER CASE	3
19	1MR1223100	CAM CHAIN GUIDE	1

20	1MR1219000	CAM CHAIN	1
21	1MR1225100	CAM CHAIN TENSIONER BOLT	1
22	1MR1224100	CAM CHAIN TENSIONER	1
23	1MR1221300	GASKET, TENSIONER CASE	1
24	1MR1221000	CAM CHAIN TENSION ADJUSTER	1
25	9184306020362300	BOLT M6×20	2
26	1ME1223300	SCREW PAN	1
27	1ME1223000	O-RING 10×1.8	1
28	1MR1211100	INTAKE VALVE	2
29	1MR1211900	VALVE SEAL ASSY.	4
30	1MR1217800	CAMSHAFT ASSY.	1

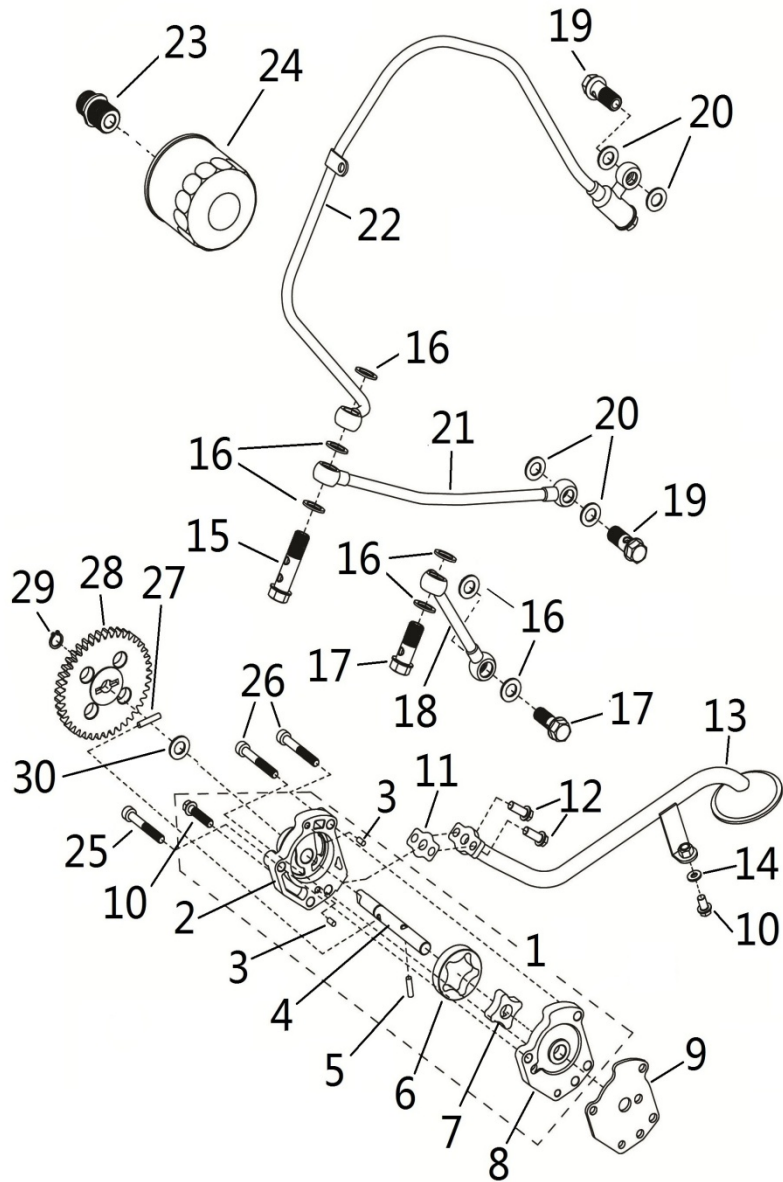
COOLING SYSTEM



REF.No.	PART No.	PART NAME	Q'TY
1	1MR1245000	WATER PUMP	1
2	9184306055102300	BOLT M6×55	4
3	1MR1248500	HOSE, WATER PUMP	1
4	1MR1249500	HOSE CLAMP 20/32	2
5	9960026335000000	O-RING 33.5X2.65	1
6	9431112000000000	CIRCLIP FOR SHAFT 12	1
7	93306001C301	BEARING 6001	1
8	1MR1245100	WATER PUMP BODY	1
9	1MR1245200	AXLE SLEEVE	1
10	1MR1245300	OIL SEAL 12×24×5	1
11	1MR1245400	AXLE SLEEVE	1
12	1MR1245500	IMPELLER SHAFT	1
13	1MR1245600	WATER PUMP IMPELLER	1
14	1MR1245700	O-RING	1
15	1MR1245800	WATER PUMP COVERV	1

16	1MR1245900	COPPER WASHER 6.2	1
17	9184306012102300	BOLT M6×12	1
18	9218306020361300	BOLT M6×20	2
19	1MR1247100	O-RING 30X2.65	1

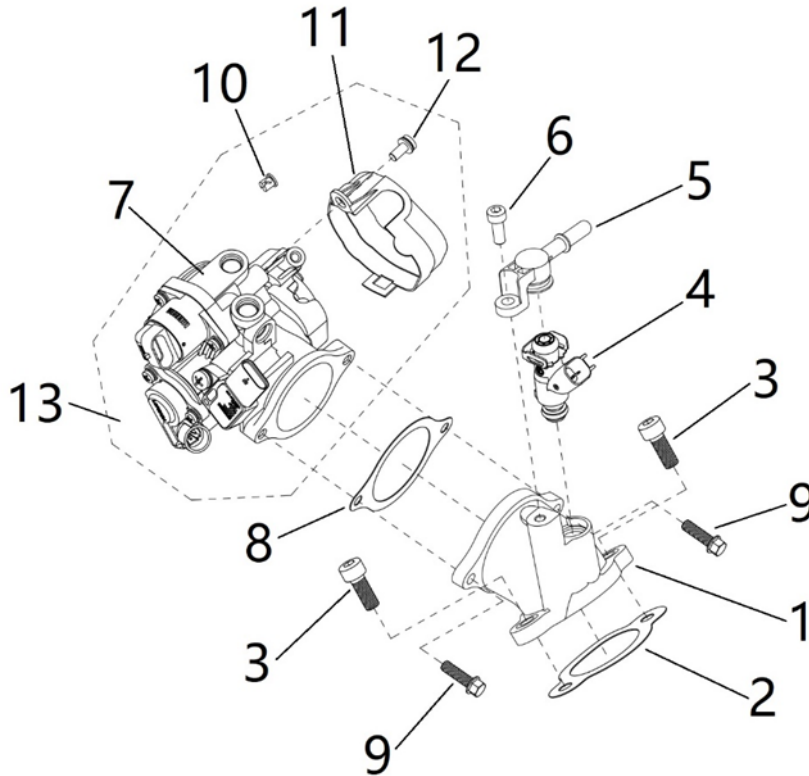
LUBRICATING SYSTEM



REF.No.	PART No.	PART NAME	Q'TY
1	1MR1331000	OIL PUMP ASSY.	1
2	1MR1331300	OIL PUMP	1
3	1MR1331500	PIN 4×14	2
4	1MR1331600	AXIS, OIL PUMP	1
5	9970004016008200	NEEDLE ROLLER 4×16	1
6	1MR1331100	OUTER ROTOR	1
7	1MR1331200	INNER ROTOR	1
8	1MR1331400	OIL PUMP COVER	1
9	1MR1332000	OIL PUMP PLATE	1
10	9184306020361300	BOLT M6×20	1
11	1MR1331800	OIL PUMP GASKET	1
12	GB/T16674.1	BOLT M6×16	2
13	1MR1331900	INLET PIPE,OIL PUMP	1

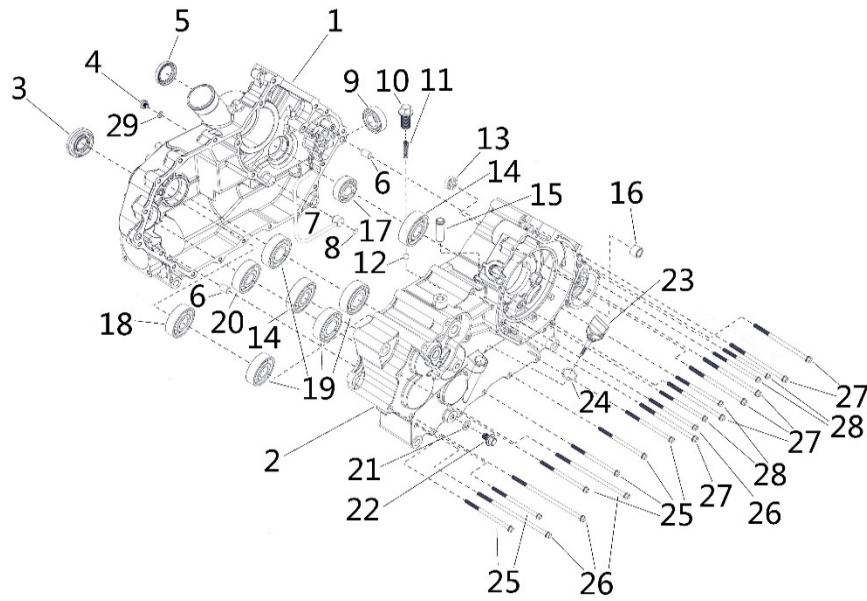
14	1ME1132100	COPPER WASHER 6.5	1
15	1MR1341300	HOLLOW BOLT M12×43	1
16	1MR1341400	COPPER WASHER 12	7
17	1ME1342500	DRAIN PLUG	2
18	1MR1341800	OIL INLET PIPE	1
19	1MR1341500	HOLLOW BOLT M10×28	2
20	1MR1341600	COPPER WASHER 10	4
21	1MR1341700	OIL OUTLET PIPE B	1
22	1MR1341200	OIL OUTLET PIPE A	1
23	1MR1341000	BOLT,OIL FILTER	1
24	1MR1341100	OIL FILTER	1
25	9218306050361300	HEXAGON SOCKET HEAD CAP SCREW M6×50	1
26	9218306045361300	HEXAGON SOCKET HEAD CAP SCREW M6×45	2
27	9970004020008200	NEEDLE ROLLER 4×20	1
28	1MR1332400	OIL PUMP DRIVEN GEAR	1
29	9431112000000000	CIRCLIP FOR SHAFT 12	1
30	1MR1332600	WASHER 12	1

FUEL INJECTION COMPONENTS



REF.No.	PART No.	PART NAME	Q'TY
1	1MR1358500	CONNECTING BEND	1
2	1MR1355600	INTAKE PIPE PADS	1
3	9218308020361300	BOLT M8×20	2
4	1MR1376200	INJECTOR	1
5	1MR1376300	INJECTOR CAP	1
6	9218460150160000	HEXAGON SOCKET HEAD CAP SCREW M6×15	1
7	1MR1372600	THROTTLE BODY	1
8	1MR1372100	GASKET, THROTTLE BODY ASSY.	1
9	9184306020362300	BOLT M6×20	2
10	1MR1372300	THROTTLE CLAMP BLOCK	1
11	1MR1372400	COVER, THROTTLE BODY ASSY.	1
12	1MR1372500	COVER BOLT	1
13	1MR1372000	THROTTLE BODY ASSY.	1

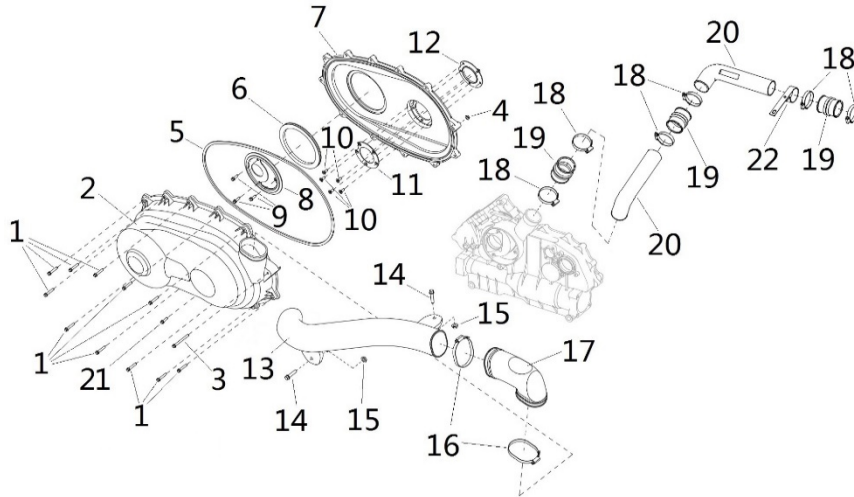
CRANKCASE COMPONENTS



REF.No.	PART No.	PART NAME	Q'TY
1	1MR1511000	LEFT CRANKCASE	1
2	1MR1512000	RIGHT CRANKCASE	1
3	1MR1511400	OIL SEAL 25×47×13	1
4	1MR1249000	SCREWED PLUG M14×1.5	1
5	1MR1511300	OIL SEAL 35×48×8	1
6	1MR1511200	LOCATING PIN 12×18	2
7	1MR1512700	CRANKSHAFT LUBRICATION PIPE	1
8	1MR1342000	O-RING 10×2	1
9	93306205C301	BEARING 6205 C3	1
10	1MR1513000	SHIFT DRUM BOLT	1
11	1MR1512900	SHIFT DRUM SPRING	1
12	1MR1512800	SHIFT DRUM STEEL BALL SR4.5	1
13	93306001C301	BEARING 6001	1
14	93306304C302	BEARING 6304 C3 NTN	2
15	1MR1512300	VENTILATION MOUTH COMPONENTS	1
16	1MR1545200	STARTING CLUTCH BUSHING A	1
17	93306204C302	BEARING 6204 C3 NTN	1
18	93306205C302	BEARING 6205 C3 NTN	1
19	93306304P501	BEARING 6304 P3	4
20	93306204P501	BEARING 6304 P5	1
21	1MR1512600	ALUMINUM WASHER 10	1
22	9186310020282300	BOLT M10×20×1.25	1
23	1MR1536700	DIPSTICK	1
24	1MQ1548700	O-RING 16×3	1

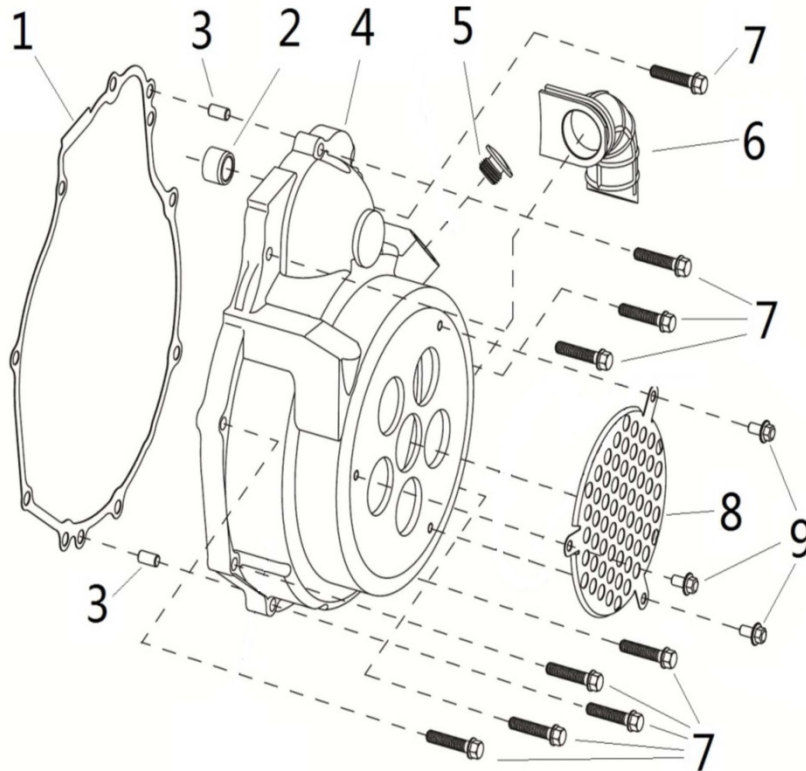
25	9184306095102300	BOLT M6×95	6
26	9184306105362300	BOLT M6×105	4
27	9184308090362300	BOLT M8×90	6
28	9184306085362300	BOLT M6×85	4
29	1MQ4611500	ALUMINUM WASHER 14	1

CVT COVER COMPONENTS



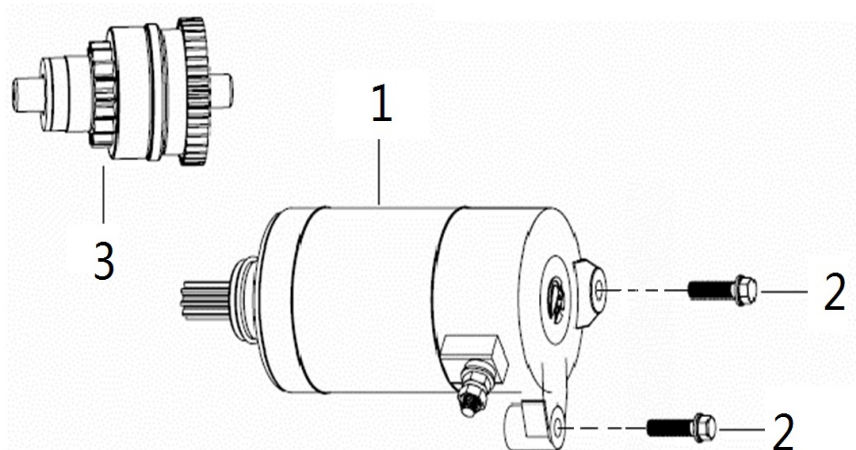
REF.No.	PART No.	PART NAME	Q'TY
1	9184306032362300	BOLT M6×32	11
2	1MR1541100	CVT UPPER COVER COMPONETS	1
3	9184306065102300	BOLT M6×65	1
4	9320306010202300	NUT M6	1
5	1MR1541300	WASHER, CVT UPPER COVER	1
6	1MR1541400	WASHER, CVT LOWER COVER	1
7	1MR1541200	CVT LOWER COVER COMPONETS	1
8	1MR1541500	PLATE, CVT LOWER COVER	1
9	9184306018102300	BOLT M6×18	3
10	9254206012161300	CROSS RECESSED COUNTERSUNK HEAD SCREW M6×12	5
11	1MR1541600	PLATE UPPER, DRIVE SHAFT	1
12	1MR1541800	PLATE LOWER, DRIVE SHAFT	1
13	1MR1542400	OUTLET PIPE OF CVT	1
14	9184308025262300	BOLT M8×25	2
15	9330308013241300	NUT M8	2
16	1MR1542500	HOSE CLAMP 70/89	2
17	1MR1542300	CONNECTING PIPE OF CVT OUTLET PIPE	1
18	1MR1542600	HOSE CLAMP 44/64	6
19	1MR1542100	CONNECTING PIPE OF CVT INTAKE PIPE	3
20	1MR1542200	INTAKE PIPE OF CVT	2
21	9184306012102300	BOLT M6×12	1
22	1MR1542700	INTAKE PIPE FIXING CLIP	1

RIGHT CRANKCASE COVER COMPONENTS



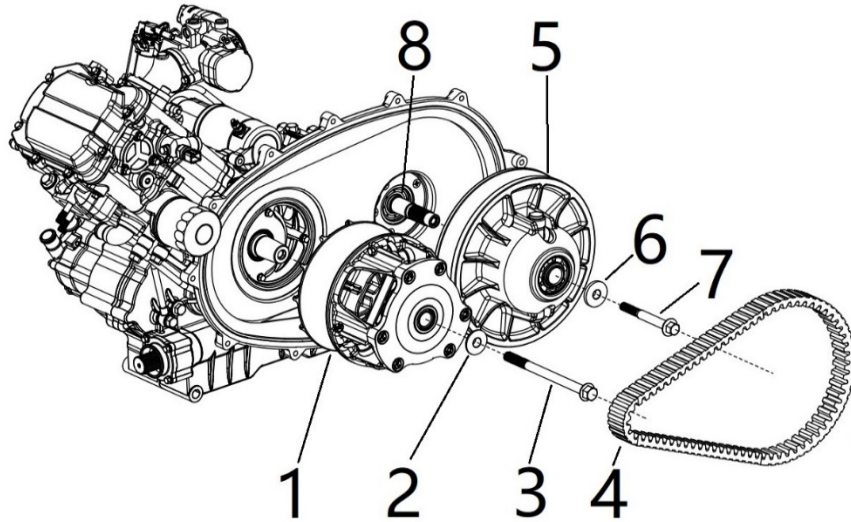
REF.No.	PART No.	PART NAME	Q'TY
1	1MR1545300	GASKET, RIGHT CRANKCASE	1
2	1MR1513200	STARTING CLUTCH BUSHING B	1
3	9522006012000000	LOCATING PIN 6×12	2
4	1MR1545600	RIGHT CRANKCASE COVER	1
5	1MR1545400	OBSERVED COVER	1
6	1MR1545900	OUTLET PIPE, RIGHT CRANKCASE COVER	1
7	9184306030102300	BOLT M6×30	9
8	1MR1545700	AIR INLET GRID	1
9	9184305010362300	BOLT M5×10	3

STARTING MOTOR COMPONENTS



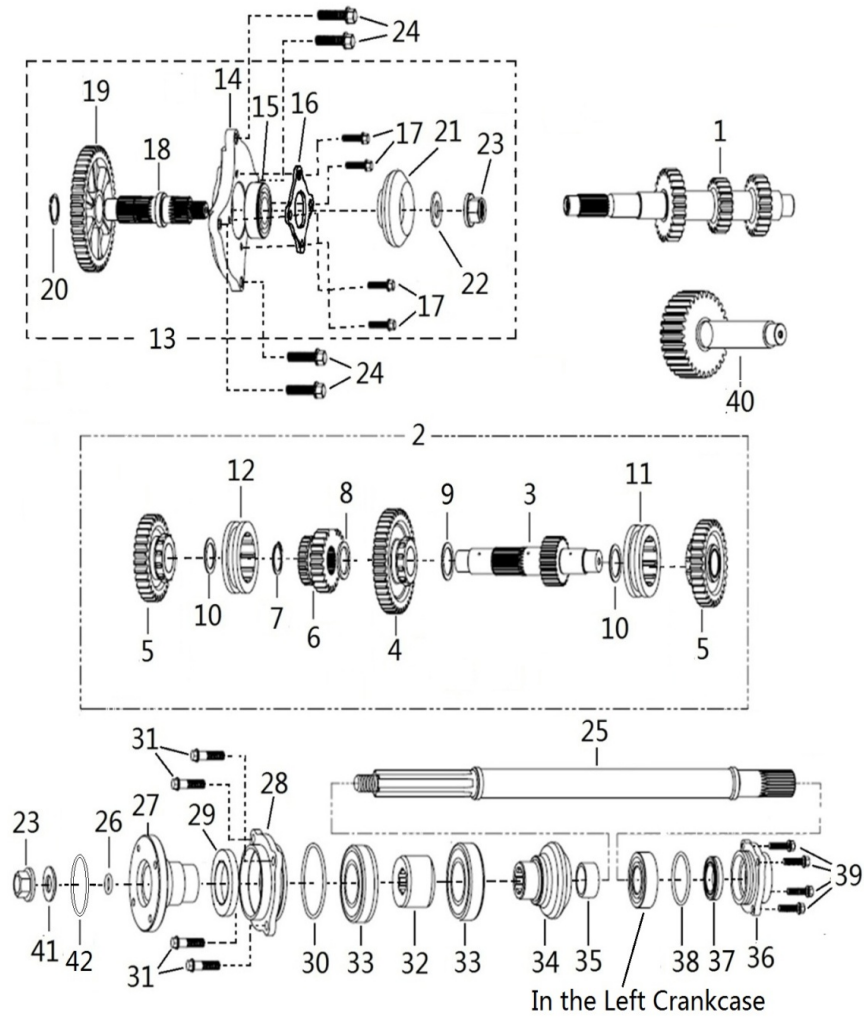
REF.No.	PART No.	PART NAME	Q'TY
1	1MR8189000	STARTING MOTOR	1
2	9184306025102300	BOLT M6×25	2
3	1MR1559000	STARTING CLUTCH ASSY.	1

CVT COMPONENTS



REF.No.	PART No.	PART NAME	Q'TY
1	1MR1761000	ACTIVE CLUTCH ASSY.	1
2	1MR1761500	INSTALLATION SLEEVE B, ACTIVE CLUTCH	1
3	1MR1761400	BOLT M12×170×1.25	1
4	1MR1764100	V-BELT	1
5	1MR1766000	DRIVEN CLUCH ASSY.	1
6	1MR1766500	INSTALLATION SLEEVE D, DRIVEN CLUTCH	1
7	1MR1766200	DRIVEN CLUTCH BOLT	1
8	1MR1766300	ADJUSTING SHIM, DRIVEN CLUTCH	1

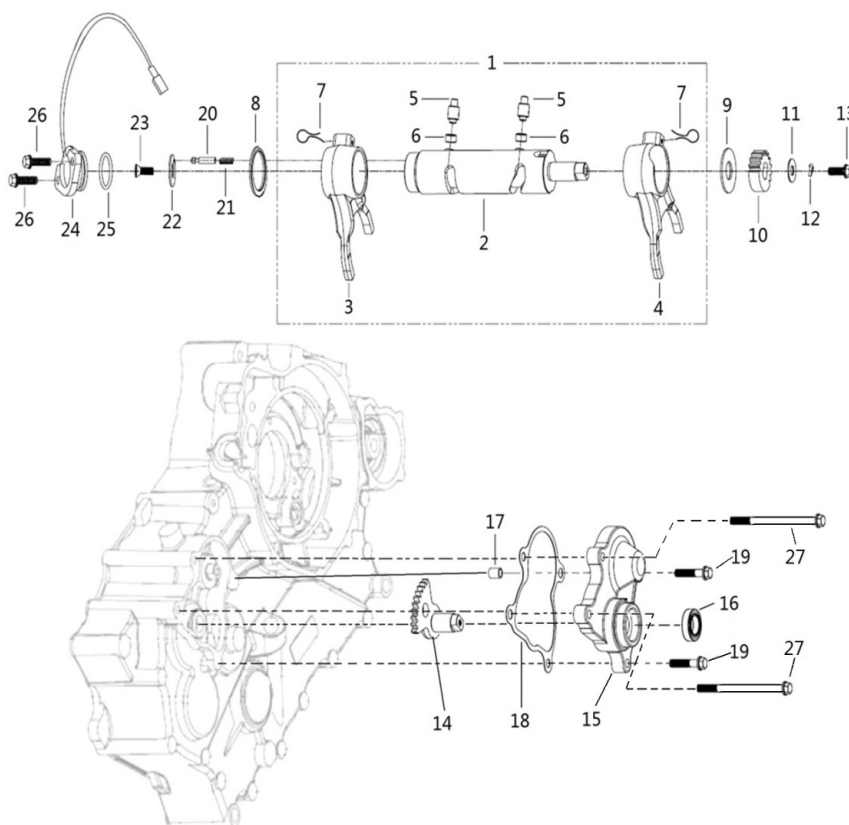
TRANSMISSION GEAR COMPONENTS



REF.No.	PART No.	PART NAME	Q'TY
1	1MR2352100	DRIVE SHAFT	1
2	1MR2352200	COUNTER SHAFT ASSY.	1
3	1MR2353100	COUNTER SHAFT	1
4	1MR2354500	LOW DRIVEN GEAR	1
5	1MR2352700	REVERSE DRIVEN GEAR	2
6	1MR2353000	IDLER GEAR	1
7	9431322000001200	CIRCLIPS FOR SHAFT 22	1
8	1MR2353200	WASHER 26×35×1.5	1
9	1MR2353300	WASHER 26×35×1	1
10	1MR2353400	WASHER 23.5×33×1	2
11	1MR2353800	HIGH-LOW GEAR SHIFT DISC	1
12	1MR2353900	NEUTRAL-REVERSE GEAR SHIFT DISC	1
13	1MR2356000	DRIVE BEVEL GEAR ASSY.	1
14	1MR2356800	BEARING SEAT,DRIVE BEVEL GEAR	1
15	93306305C302	BEARING 6305 C3 NTN	1
16	1MR2356200	BEARING PLATE	1

17	9184306022102300	BOLT M6×22	4
18	1MR2356500	DRIVE BEVEL GEAR SHAFT	1
19	1MR2356400	DRIVE GEAR OF THE BEVEL GEAR	1
20	9431125000000000	CIRCLIPS FOR SHAFT 25	1
21	1MR2356100	DRIVE BEVEL GEAR	1
22	1MR8142900	WASHER 16×31×1	1
23	9330316000261300	NUT M16×1.5	2
24	9184308022381300	BOLT M8×22	4
25	1MR2357100	OUTPUT SHAFT	1
26	1MR2357200	O-RING 15×2.65	1
27	1MR2357400	CONNECTION DISK	1
28	1MR2357500	REAR BEARING COVER, GEAR BOX	1
29	1MR2357600	OIL SEAL 40×62×8	1
30	1MR2357700	O-RING 67×2.5	1
31	9184308028362300	BOLT M8×28	4
32	1MR2357900	SPLINE SLEEVE	1
33	93306207P501	BEARING 6207 P5	2
34	1MR2356600	DRIVEN BEVEL GEAR	1
35	1MR2358200	BECEL GEAR LIMIT SLEEVE	1
36	1MR2359400	FRONT BEARING COVER, GEAR BOX	1
37	1MR2359600	OIL SEAL 25×40×7	1
38	1MR2358700	O-RING 47×2.5	1
39	9184306022102300	BOLT M6×22	5
40	1MR2353600	REVERSE IDLER GEAR	1
41	1MR2352800	CONICAL WASHER	1
42	1MR2352900	O-RING 27×2.65	1

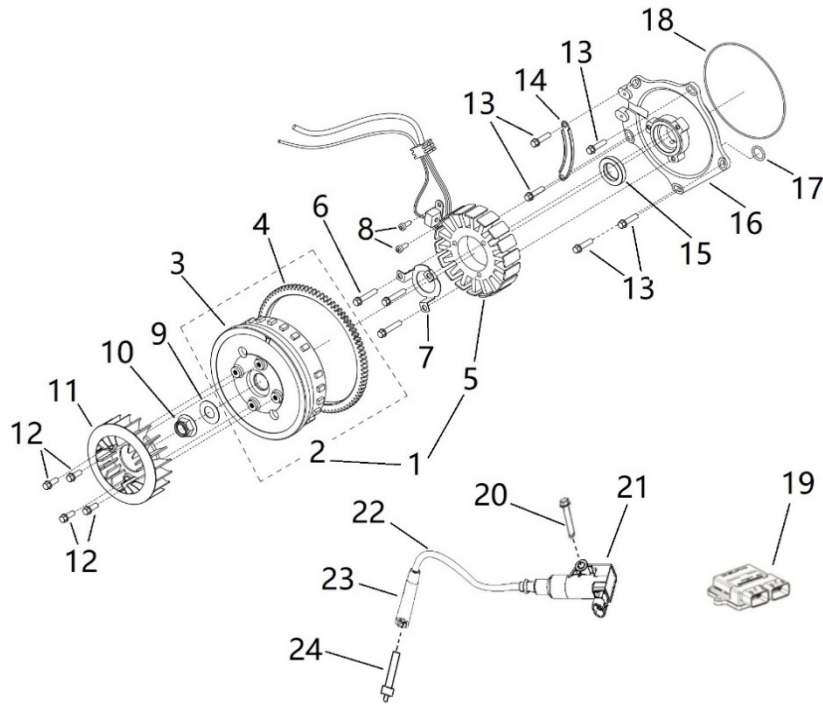
SHIFT DRUM COMPONENTS



REF.No.	PART No.	PART NAME	Q'TY
1	1MR2358400	SHIFT DRUM ASSY.	1
2	1MR2358300	SHIFT DRUM	1
3	1MR2358100	GEAR SHIFT FORK L	1
4	1MR2358200	GEAR SHIFT FORK R	1
5	1MR2359000	GUIDE PIN	2
6	1MR2359100	ROLLER	2
7	9500025026000000	SPLIT PIN	2
8	1MR2359200	WASHER 32×40×2	1
9	1MR2359300	WASHER 15×33×2	1
10	1MR2358500	SHIFT DRIVEN GEAR	1
11	1MR2358900000S1	WASHER 6×20×2	1
12	9403106000000000	SINGLE COIL SPRING LOCK WASHER 6	1
13	9186306016166300	BOLT M6×16	1
14	1MR2358800	SHIFT GEAR ASSY.	1
15	1MR2359700	SHIFT COVER	1
16	1MR2359800	OIL SEAL 15×26×7	1
17	1MR2358600	LOCATING PIN 8×10	1
18	1MR2359900	GASKET, SHIFT COVER	1
19	9184306028362300	BOLT M6×28	2

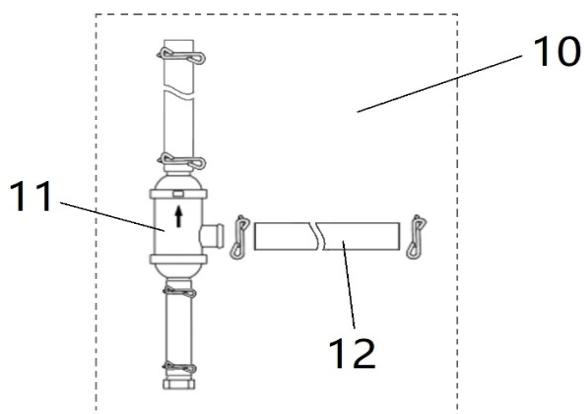
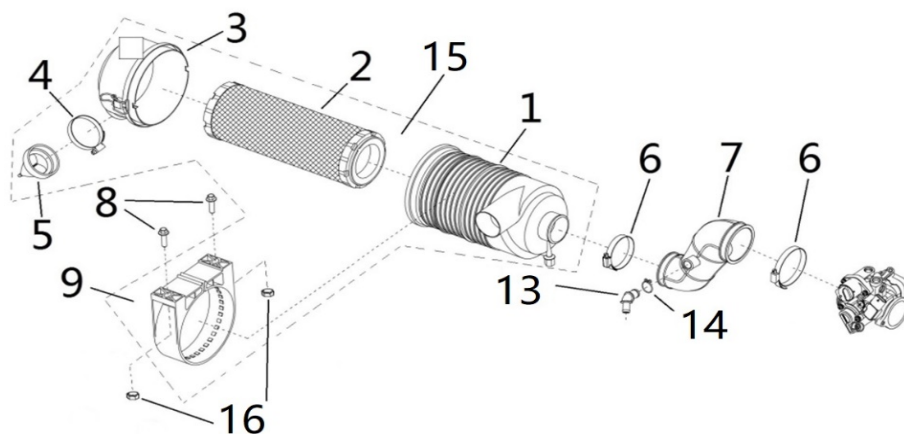
20	1MR2357300	GEAR CONTACTOR	1
21	1MR2356300	SPRING, GEAR CONTACTOR	1
22	1MR2356700	LIMIT WASHER	1
23	9254206012161300	SCREW M6×12	1
24	1MR2350300	GEAR POSITION SENSOR	1
25	1MR2350100	O-RING 27×2.5	1
26	9184306020361300	BOLT M6×20	2
27	9184306135362300	BOLT M6×135	2

MAGNETO COMPONENTS



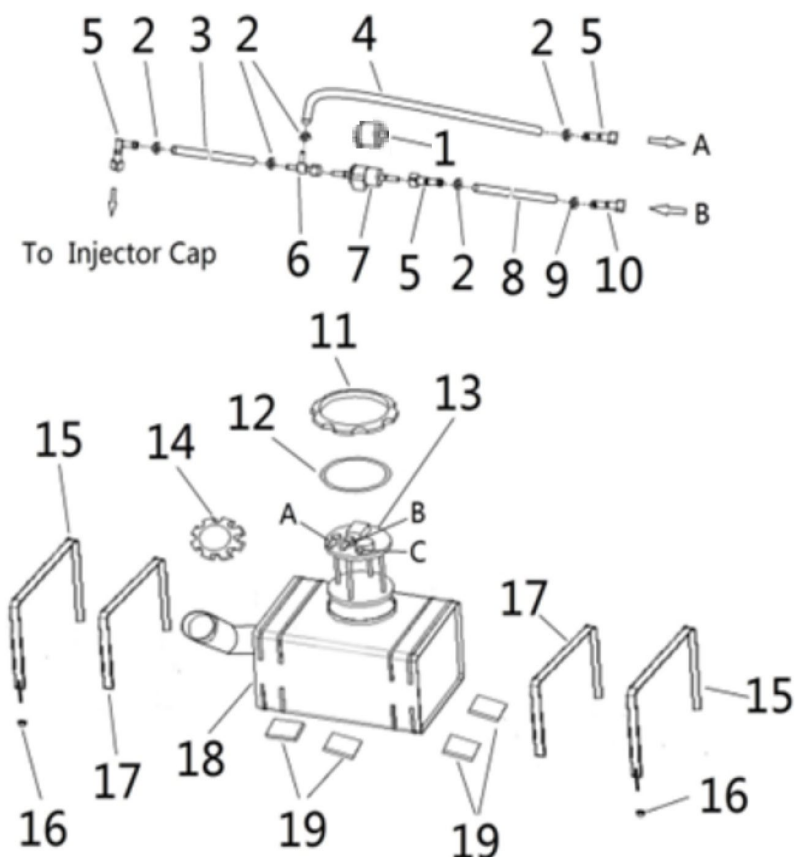
REF.No.	PART No.	PART NAME	Q'TY
1	1MR8141000	MAGNETO ASSY.	1
2	1MR8145000	ROTOR ASSY.	1
3	1MR8145100	ROTOR	1
4	1MR8145200	ROTOR GEAR	1
5	1MR8143000	STATOR ASSY.	1
6	9184306030102300	BOLT M6×30	3
7	1MR8142200	OIL SEAL BAFFLE	1
8	9218450120160000	BOLT M5×12	2
9	1MR8142900	WASHER 16×31×1	1
10	1MR8142800	NUT M16×1.5	1
11	1MR1261100	COOLING FAN	1
12	9184306022102300	BOLT M6×22	4
13	9184306025102300	BOLT M6×25	5
14	1MR8142700	LEAD HOLDER	1
15	1MR8142400	OIL SEAL 25×38×7	1
16	1MR8142000	STATOR SEAT	1
17	1MR8142600	O-RING 15×2.5	1
18	1MR8142100	O-RING 128×1.8	1
19	1MR8146000	ECU	1
20	9184306080102300	GB/T 16674.1M6×80	1
21	1MF8148000	IGNITION COIL	1

- 69 -
AIR FILTER



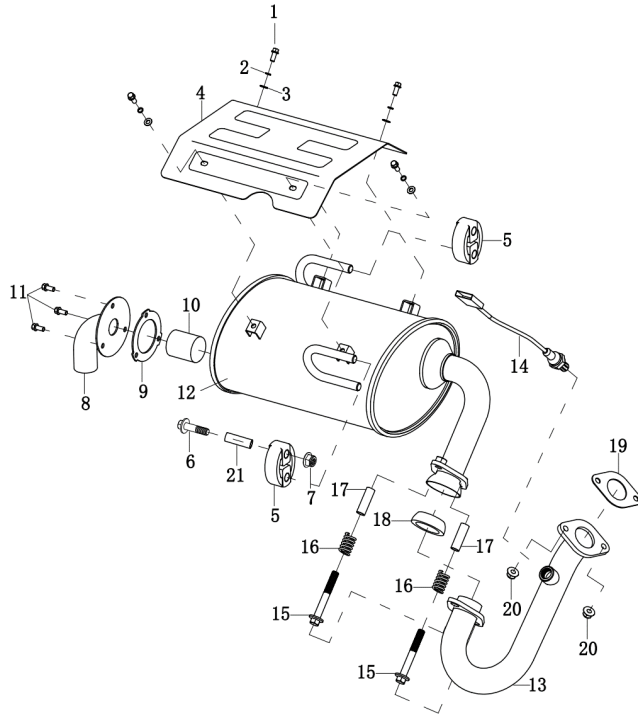
REF.No.	PART No.	PART NAME	Q'TY
1	1MR1441100	Air filter housing	1
2	1MR1445100	Filter element	1
3	1MR1441200	Air filter rear cover	1
4	1MR1542600	Clamp 44-64	1
5	1MR1441600	Oil drain cap	1
6	1MR1441700	Clamp 51-70	1
7	1MR1445300	Air filter connecting pipe	1
8	9184308025362300	Bolt M8×25 (GB/T 16674.1)	2
9	1MR1441500	Air filter bracket Assy	1
10	1MR1442100	Oil gas separator Assy	1
11	1MR1441800	Oil gas separator body	1
12	1MR1442300	Air inlet pipe	1
13	1MR1441900	Air intake pipe	1
14	1MR1442000	Clamp 20	1
15	1MR1441000	Air filter Assy	1
16	9320308013205300	Nut M8 (GB/T 6177.1)	2

FUEL SUPPLY SYSTEM



REF.No.	PART No.	PART NAME	Q'TY
1	1MQ1392210	Fuel filter sheath	1
2	1MQ1393100	Clamp 15.3	5
3	1MR1392300	Engine fuel inlet pipe	1
4	1MR1392200	Tank fuel return pipe	1
5	1MQ1391200	Quick fitting Assy 7.89	3
6	1MQ1391220	Quick tee fitting Assy 7.89-6	1
7	1MQ1392000	Fuel filter	1
8	1MR1392100	Tank fuel outlet pipe	1
9	1MQ1393200	Clamp 16.2	1
10	1MQ1391110	Quick Fitting Assy 9.49-6	1
11	1MQ1391400	Oil pump cover	1
12	1ME2413100	Oil pump sealing ring	1
13	1MR1391000	Fuel Pump	1
14	1ME2413010	Tank cap	1
15	1MR2411500	Tank belt	2
16	9330308013241300	Nut M8 (GB/T 6187.1)	2
17	1ME2411600	Tank belt rubber	2
18	1MR1394000	Fuel tank Assy	1
19	1MU6180100	Shock pad	4

MUFFLER



REF.No.	PART No.	PART NAME	Q'TY
1	9184306012102300	Bolt M6×12 (GB/T 16674.1)	4
2	94031060000000001	Spring Washer 6 (GB/T 93)	4
3	9401306000031300	Washer 6 (GB/T 97.1)	4
4	1MR1471100	Muffler cylinder guard	1
5	1MR1473000	Muffler rubber	2
6	9330308013241300	Nut M8 (GB/T 6187.1)	1
7	9186308045261300	Bolt M8×45 (GB/T 5789)	1
8	1MR1471500	Tailpipe	1
9	1MR1471600	Tailpipe washer	1
10	1MR1471700	Fire protection network	1
11	9151306016161300	Bolt M6×16 (GB/T 16674.1)	3
12	1MR1471800	Muffler	1
13	1MR1471400	Exhaust pipe	1
14	1MQ1475100	Oxygen sensor	1
15	3MU5520300	Bolt M10×1.25×100 (GB/T 5789)	2
16	1MF1462100	Muffler spring	2
17	1MR1474200	Muffler spacer	2
18	1MR1472500	Joint	1
19	1MR1472400	Gasket, exhaust pipe	1
20	9330308013241300	Nut M8 (GB/T 6187.1)	2
21	3MU6019900	Muffler front bushing	1