

Parts Manual

K1



CHEETAH 6

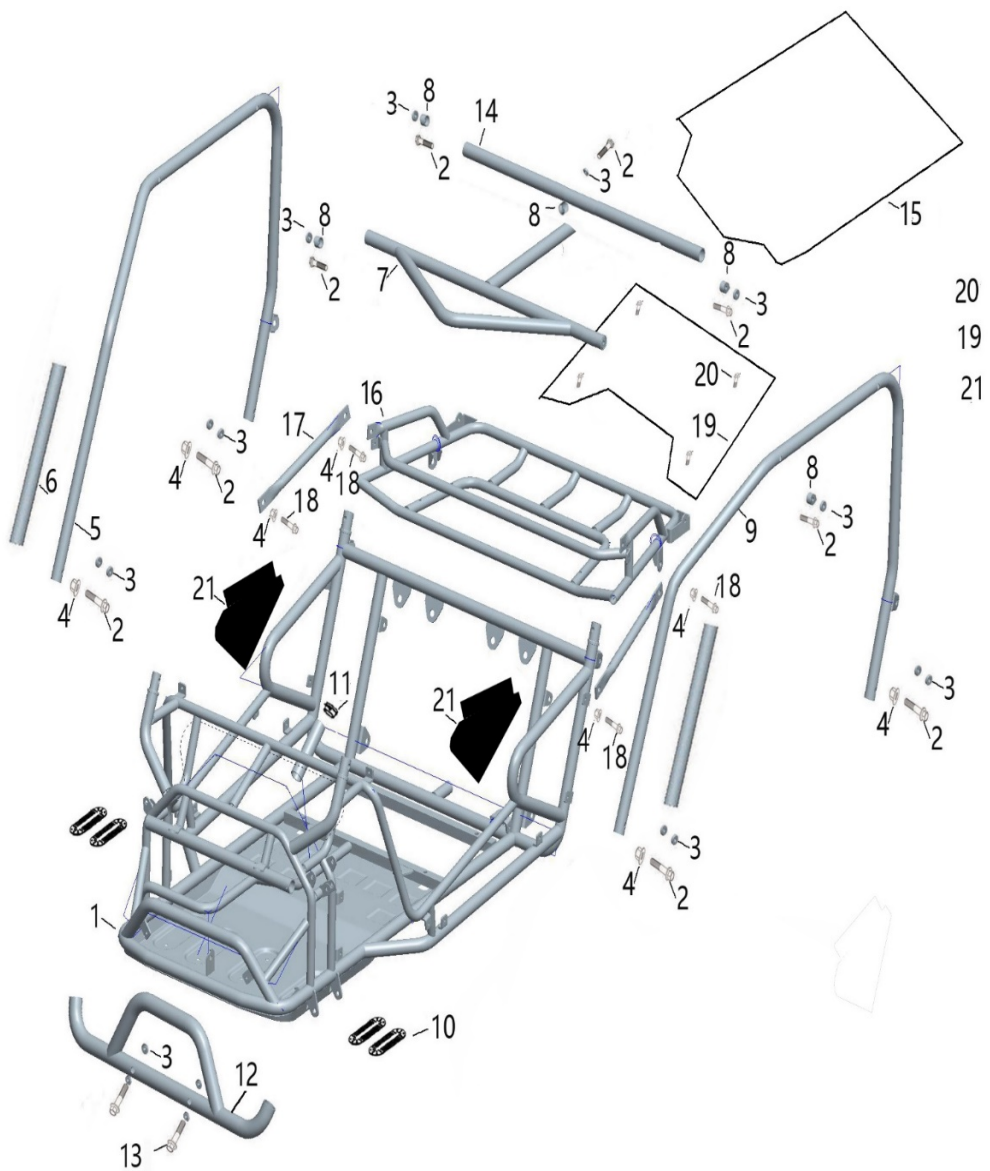
Minimum Recommended Operator Age : **8**
This Vehicle Is an OFF-ROAD Vehicle

FRAME PARTS ONLY

Fig 1

FRAME GROUP

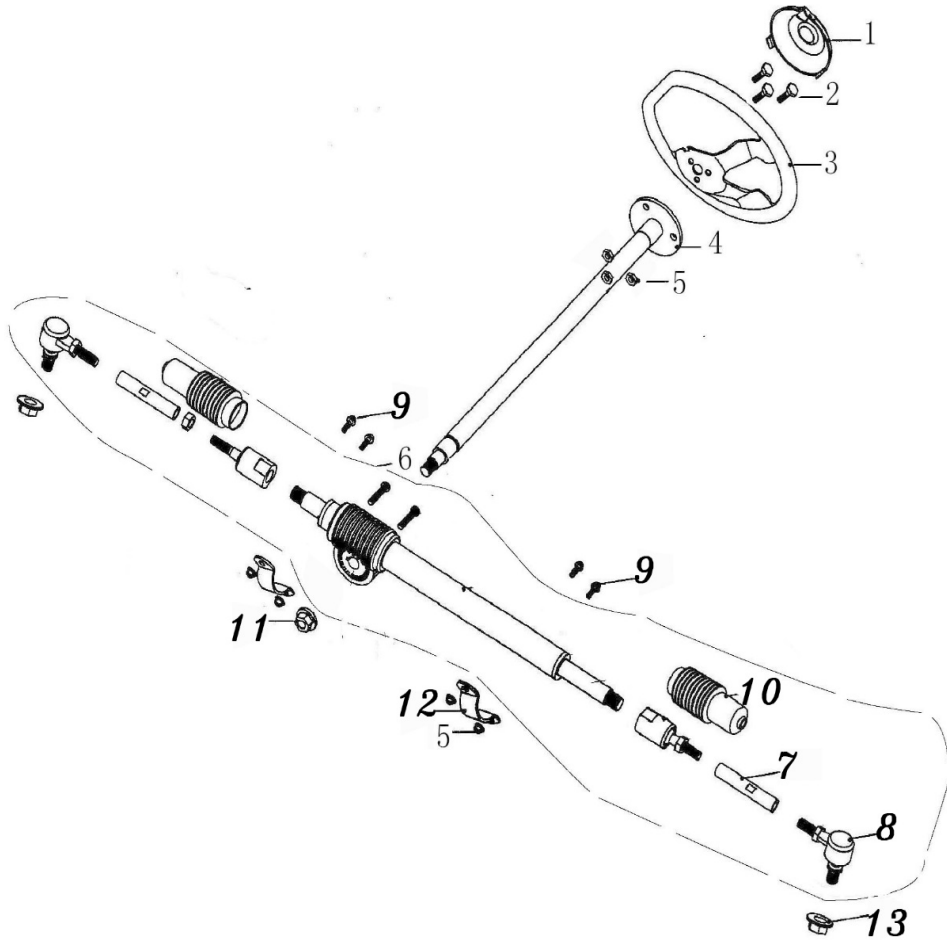
NO.	CODE	DESCRIPTION	QTY.	
1	57100-K1P	FRAME COMP. (R.S.Y, P)	1	
2	57870805012505	BOLT M8X50 ,GB5787	9	
3	8010047250G000	R- WASHER	18	
4	61870800012505	LOCKING NUT M8, GB6187	10	
5	58110-K1P	C.B.C.CUSTOM J-BAR.R SIDE(R.S.B)	1	
6	58005-K1P	FOAM PADDING-1	2	
7	58410-K1P	C.B.C.CUSTOM CROSS BARTOP.FR(R.S.B)	1	
8	58002-K1P	TUBE SEAT ϕ 22	5	
9	58120-K1P	C.B.C.CUSTOM J-BAR.L SIDE(R.S.B)	1	
10	58007-K1P	RUBBER FOOLPLAIE	4	
11	7010006150G000	SWING ARM BUSH.	1	
12	52300-K1P	PROTECTING BAR	1	
13	57870804512505	BOLT M8X45 ,GB5787	2	
14	58420-K1P	C.B.C.CUSTOM CROSS BARTOP.RR(R.S.B)	1	
15	00010-K1P	BIKINI TOP	1	
16	52100-K1P	REAR CAGE RACK(B.G.R.)	1	
17	52001-K1P	RACK SUPPORT ARM (B.G.R.)	2	
18	57870802012505	BOLT M8X20 ,GB5787	6	
19	52109-K1P	Rear Shelf cover	1	
20	90746601610005	BOLT M6X16 ,GB9074.6	4	
21	65060-K1P	DECORATIVE NET	1	



STEERING SHAFT ASSY

Fig 2

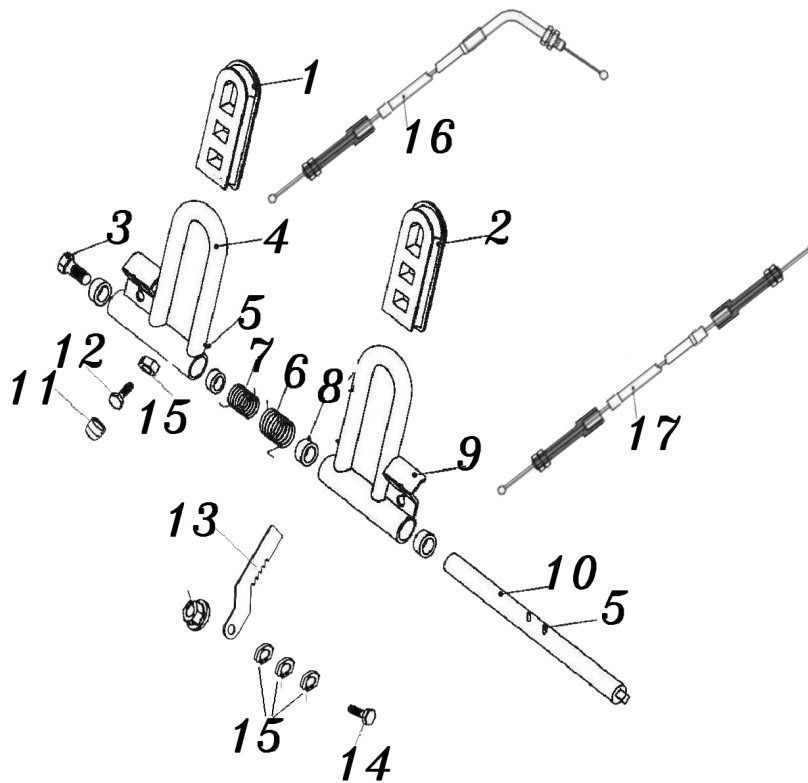
NO.	CODE	DESCRIPTION	QTY.
1	40005-K1P	STEERING BOLT COVER	1
2	57890601610005	BOLT M6 x16, GB5789	9
3	40120-K1P	STEERING WHEEL	1
4	40100-K1P	STEERING-SHAFT	1
5	61870600010005	LOCKING NUT M6 , GB6187	3
6	40300-K1P	STEERING GEAR ASSY	1
7	40002-K1P	TIE ROD	2
8	6000181080G000	ROD END	1
9	57890602010005	BOLT M6 x20 , GB5789	2
10	40307-K1P	STEERING BALL JOINT DUST COVER	1
11	61871000012505	LOCKING NUT M10*1.25	2
12	8.020.130	STEERING GEAR BRACKET(R.S.B)	2
13	61870800012505	LOCKING NUT M8, GB6187	2



BRAKE / THROTTLE PEDAL

Fig 3

NO.	CODE	DESCRIPTION	QTY.	
1	7020044080G000	THROTTLE PEDAL PAD	1	
2	7020043080G000	BRAKE PEDAL PAD	1	
3	57870801212505	BOLT M8X12 ,GB5787	1	
4	40210-K1P	THROTTLE PEDAL COMP.	1	
5	87910300200000	ROLL PIN $\phi 3 \times 20$	4	
6	8040010080G000	THROTTLE PEDAL RETURN SPRING,L	1	
7	8040011080G000	BRAKE PEDAL RETURN SPRING,R	1	
8	7010003250G000	PEDAL BUSH	4	
9	40220-K1P	BRAKE PEDAL COMP.	1	
10	40001-K1P	PEDAL BOLT	1	
11	7010022080G000	rubber food pedal stop	1	
12	57820805012505	BOLT M8X50 GB5782	1	
13	8020209080G000	Stopping plate	1	
14	57870803012505	BOLT M8X30 ,GB5787	1	
15	61700800012505	NUT M8, GB6170	4	
16	60110-K1P	THROTTLE CABLE COMP.	1	
17	60140-K1P	BRAKE CABLE COMP.	1	



SPINDLE AND STRUT SUPPORT

Fig 4

NO.	CODE	DESCRIPTION	QTY.
1	44220-K1P	SPINDLE AND STRUT SUPPORT,R	1
2	61871000012505	GB6187 UNT.M10*1.25	2
3	97001000000005	GB97 WASHER φ10	2
4	7020061080G000	BALL HEAD DUST SEAL	4
5	44210-K1P	SPINDLE AND STRUT SUPPORT,L	1
6	93001000000005	LOCK WASHER φ10 ,GB93	2
7	94571000012505	GB9457 FLANGE UNT.M10*1.25	2
8	GB912002500002	COTTER PIN Φ2.5x25	2
9	43100-K1P	CUSHION ASS'Y. FR.	2
10	57870803512505	BOLT M8X35 ,GB5787	4
11	61870800012505	LOCKING NUT M8, GB6187	4

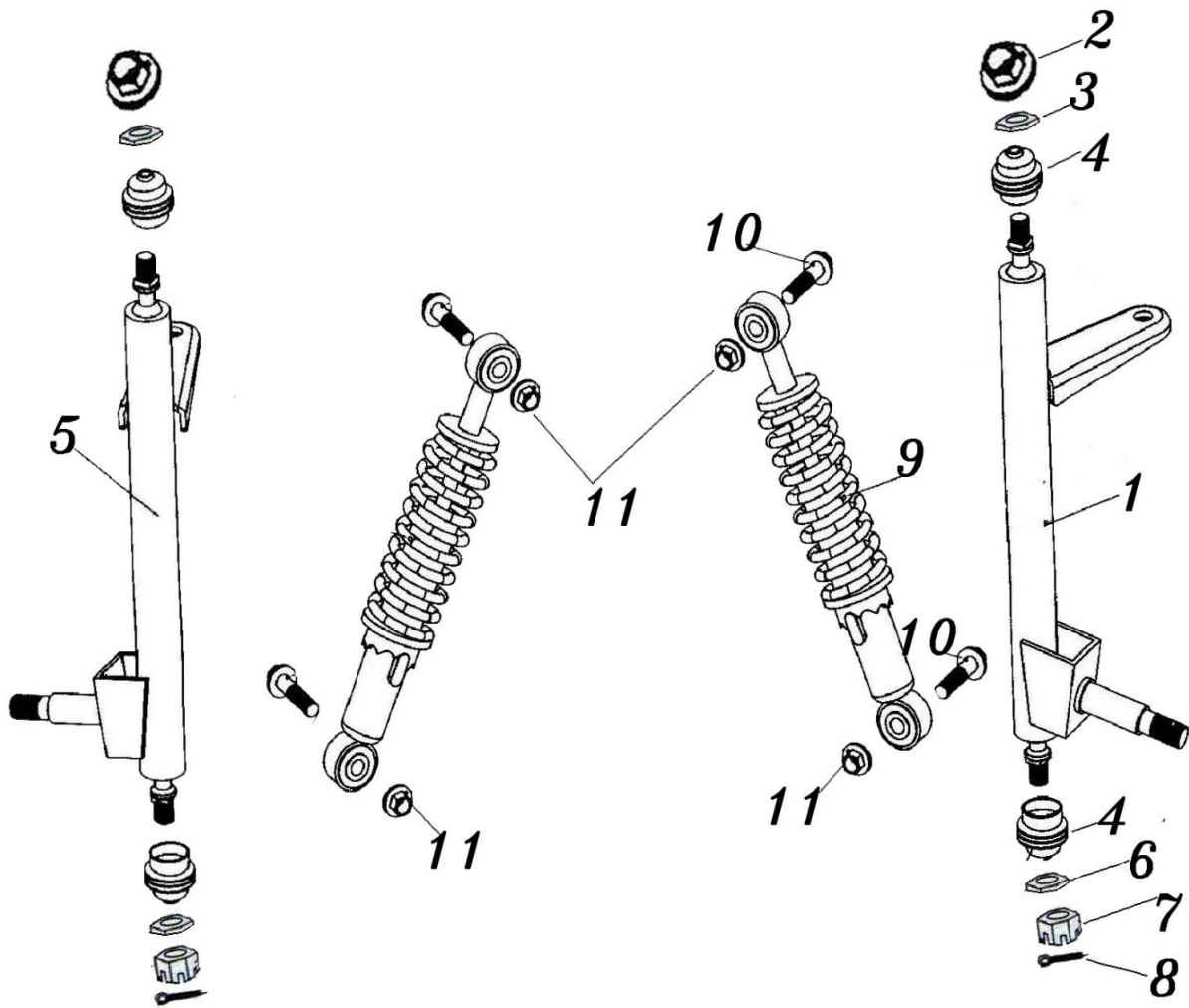


Fig 5

SUSPENSION ARM

NO.	CODE	DESCRIPTION	QTY.
1	57870809512505	GB5787 FLANGE BOLT M8*95	2
2	44217-K1P	UPPER SUSPENSION ARM COLLAR	2
3	7010003250G000	PEDAL BUSH	8
4	58210-K1P	UPPER SUSPENSION ARM	2
5	61870800012505	LOCKING NUT M8, GB6187	4
6	8010015250G000	UPPER SUSPENSION ARM COLLAR,80	2
7	58220-K1P	FRONT LOWER SUSPENSION ARM ,L	1
8	57870810512505	GB5787 FLANGE BOLT M8*105	2
9	58230-K1P	FRONT LOWER SUSPENSION ARM ,R	1

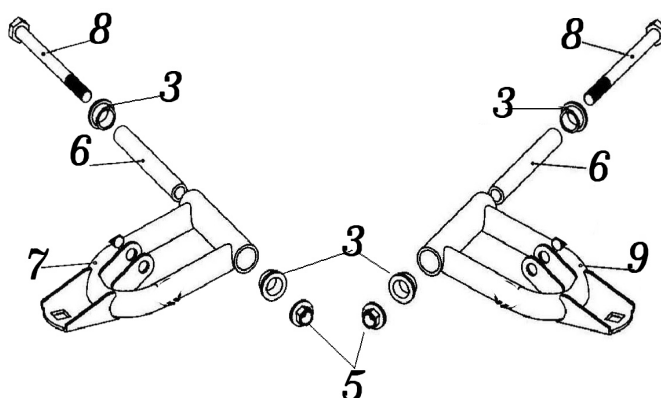
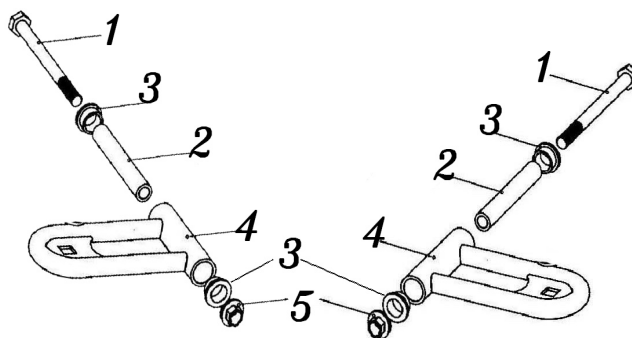
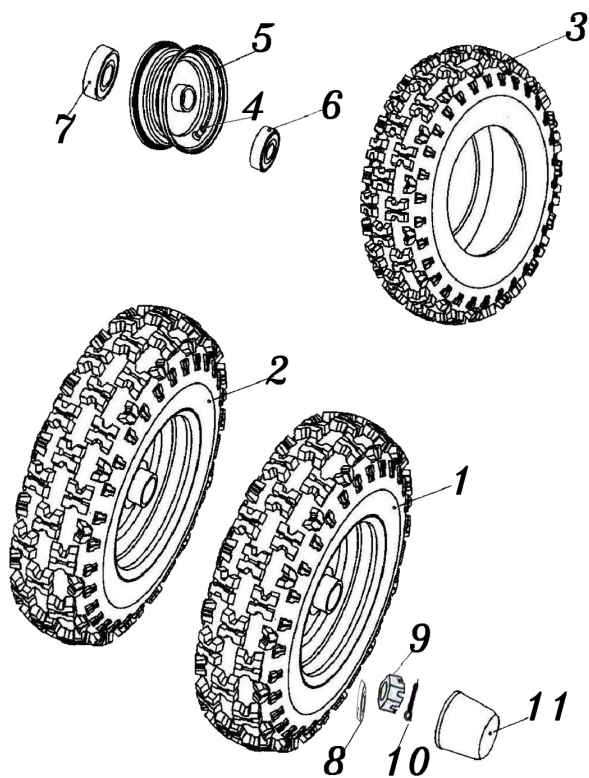


Fig 6

FR.WHEEL ASSY

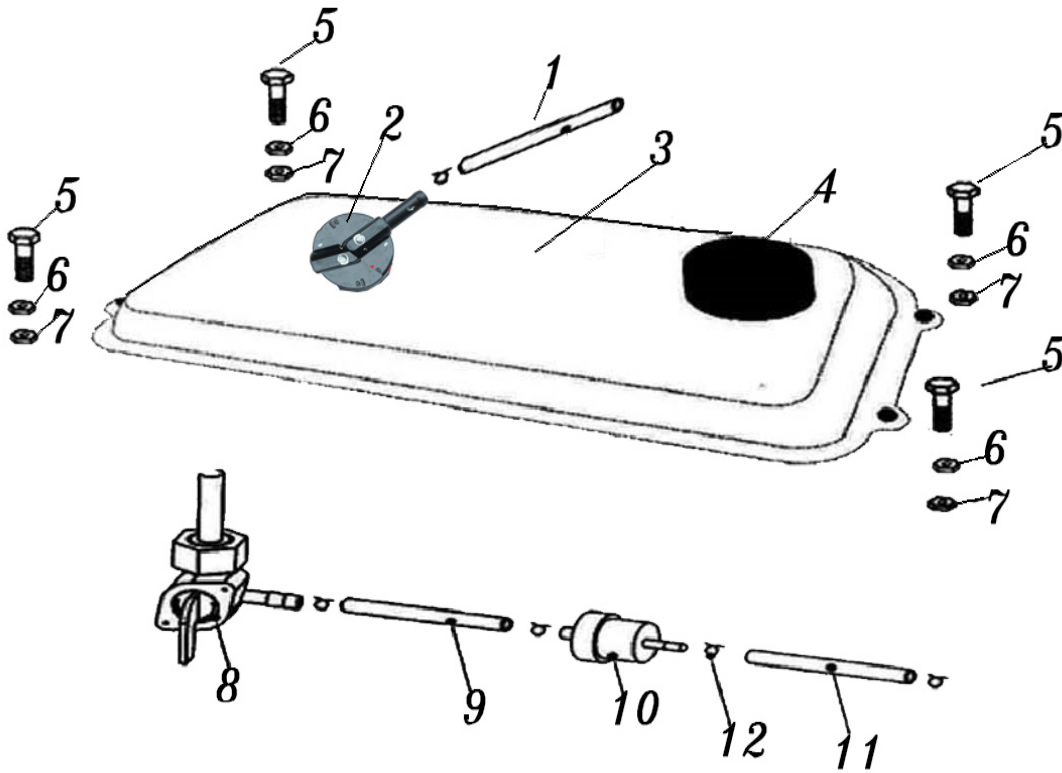
NO.	CODE	DESCRIPTION	QTY.
1	44100-K1P	FR.WHEEL ASSY.L. 145/70-6	1
2	44200-K1P	FR.WHEEL ASSY.R. 145/70-6	1
3	44031-K1P	TIRE, FR 145/70-6	2
4	44006-K5	TIRE NIPPLE	2
5	44110-K1P	RIM, FRONT WHEEL	2
6	62012RS0000000	BEARING 6201-2RS	2
7	62022RS0000000	BEARING 6202-2RS	2
8	97001200000005	WASHER ϕ 12 ,GB97	2
9	94571200012505	CASTLE NUT M12X1.25, GB9457	2
10	GB912502500002	COTTER PIN ϕ 2.5 \times 25, GB91	2
11	7020039250G001	HUB COVER (metal wheel)	2



FUEL TANK

Fig 7

NO.	CODE	DESCRIPTION	QTY.
1	51001-K1P	One way vent valve pipe	1
2	51010-K5	One way vent valve	1
3	50110-K1P	fuel tank	1
4	6000145-K5	fuel tank cap	1
5	57890603510005	GB5789 FLANGE BOLT M6*35	4
6	50001-150U	Fuel tank rubber	4
7	61870600010005	LOCKING NUT M6, GB6187	4
8	6000046-K5	Fuel tank switch	1
9	50003-K1P	oil pipe 1	1
10	6000056250G000	petrol filter	1
11	50002-K1P	oil pipe 2	1
12	621A0700000000	TUBE CIRCLIP $\phi 7$	5



SAFETY BELT ASSY/SEAT COMP

Fig 8

NO.	CODE	DESCRIPTION	QTY.	
1	51210-K1P	SAFETY BELT	2	
2	61000-K1P	SEAT ASSY	1	
3	GB370802012505	"T" BOLT M8*20,GB37	2	
4	GB370803512505	"T" BOLT M8*35,GB37	2	
5	61870800012505	LOCKING NUT M8, GB6187	4	
6	9.700.001	SAFETY BELT SPECIAL BOLT	5	

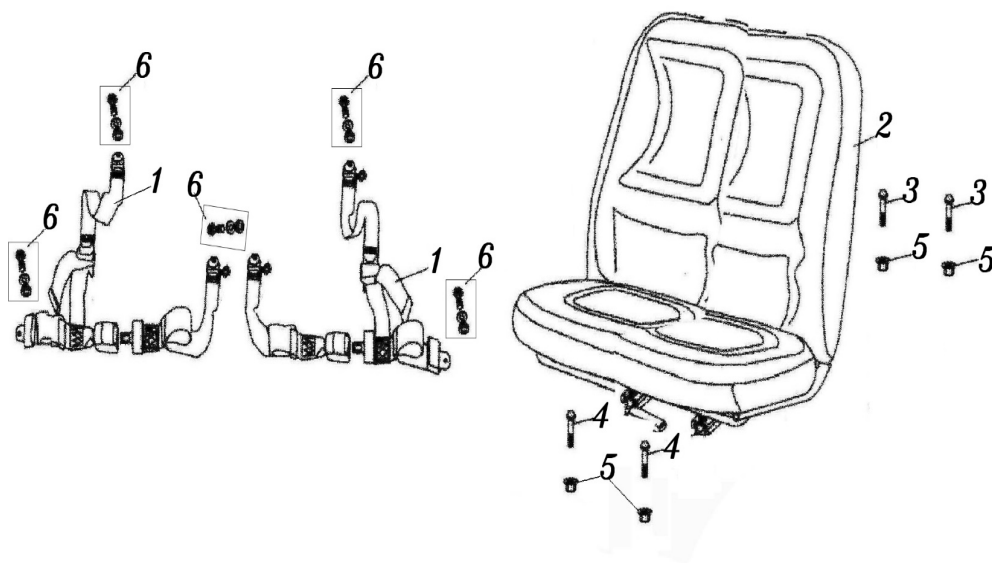


Fig 9

GEARBOX / REVERSE CABLE COMP / REVERSE LEVER ASSY

NO.	CODE	DESCRIPTION	QTY.
1	BSX01-K3	REVERSE GEAR BOX	1
2	10960502000000	Axle Key 5*5-20	1
3	8011077080G000	Output Sprocket (10T-420)	1
4	60120-K1P	REVERSE CABLE COMP.	1
5	8040004150G000	PARKING BRAKE CABLE SPRING	1
6	60210-K1	SHIFTER HOISE ASSY.	1
7	61870800012505	LOCKING NUT M8, GB6187	3
8	57870812012505	BOLT M8*120,GB5787	2
9	7.020.026	Reverse gear handle rubber	1
10	57870801612505	BOLT M8*16,GB5787	1
11	96000800000005	WASHER $\phi 8$, GB96	1
12	93000800000005	LOCK WASHER $\phi 8$, GB93	1

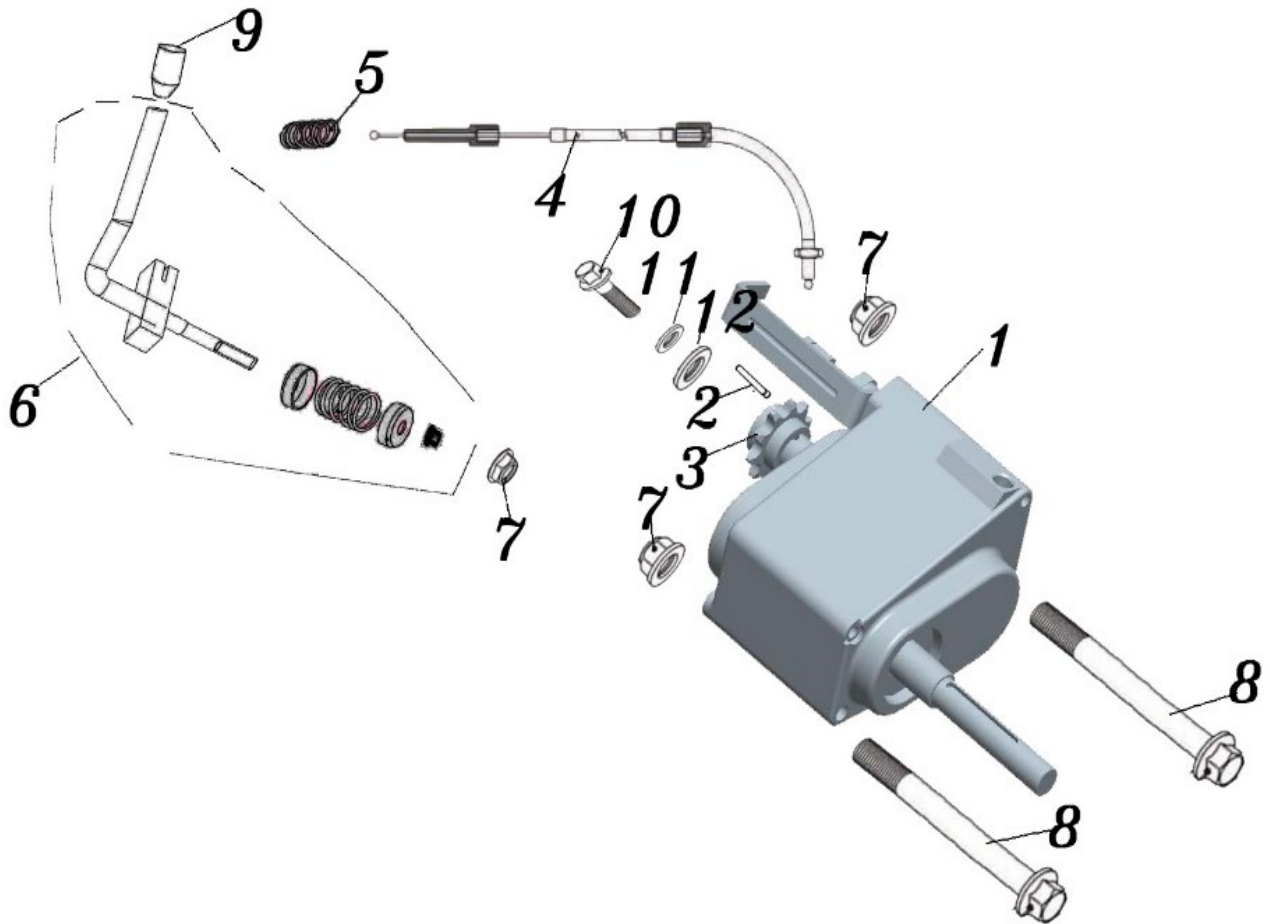


Fig 10

GEARBOX / REVERSE CABLE COMP / REVERSE LEVER ASSY

NO.	CODE	DESCRIPTION	QTY.
1	JF168N	ENGINE ASSY	1
2	58340-K1P	ENGINE MOUNT BRACKET	1
3	7.020.077	SHOCK ABSORBING BUSHING φ10*φ30*30/35	3
4	58011-LA	SPACERφ10*φ17*75, ENGINE BRACKET	1
5	57891017012505	BOLT M10*1.25*170,GB5789	1
6	61871000012505	LOCKING NUT M10*1.25, GB6187	2
7	58047-80X-K3	ENGINE Mounting plate	2
8	57870806012505	BOLT M8*60,GB5787	4
9	93000800000005	LOCK WASHER φ8 ,GB93	4
10	96000800000005	WASHER φ8 ,GB96	4
11	10200-K1P	CHAIN ADJUSTER COMP	1
12	57891006012505	BOLT M10*1.25*60,GB5789	1
13	61701200012505	NUT M12*1.25, GB6170	1
14	58612-150U	ENGINE MOUNT LINK COLLAR2 (16*1.5-25)	1
15	61871200012505	LOCKING NUT M12*1.25, GB6187	1
16	PP25-25	Pipe plug 25*25	2

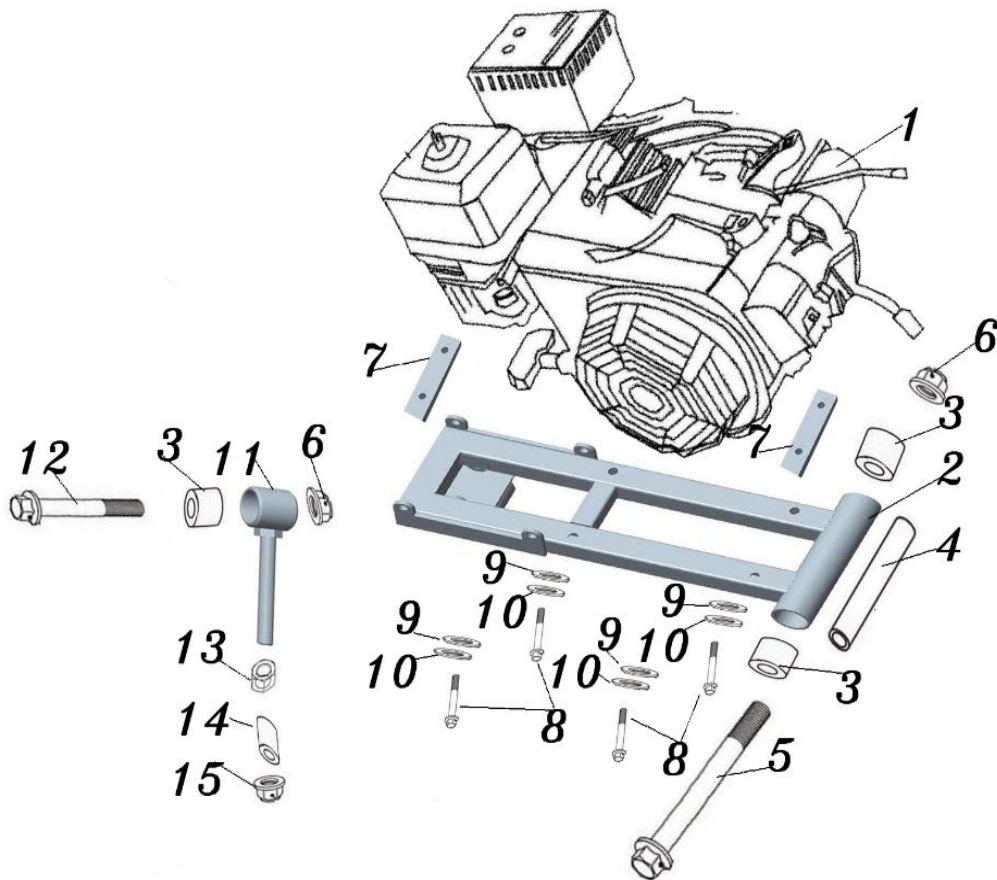


Fig 11

REAR SPINDLE / REAR AXLE / REAR SUSPENSION

NO.	CODE	DESCRIPTION	QTY.
1	63100-K1P	CUSHION ASSY. RR	2
2	57891004012505	BOLT M10×1.25×40	4
3	61871000012505	LOCKING NUT M10×1.25	6
4	7.020.077	SHOCK ABSORBING BUSHING φ10*φ30*30/35	2
5	57891006012505	BOLT M10*1.25*60,GB5789	1
6	60001-K1P	REAR AXLE	1
7	60003-K1P	REAR AXLE HUB	1
8	5400600080G101	REAR SPROCKET (46T-420)	1
9	54007-YL	DISC BRAKE,RR	1
10	420-58	DRIVE CHAIN 420-58	1
11	60052RS0000000	BEARING 6005-2RS	2
12	8.020.115	AXLE COVER	2
13	57870801612505	BOLT M8*16,GB5787	10
14	57870802012505	BOLT M8*20,GB5787	4
15	93000800000005	LOCK WASHER φ8 ,GB93	10
16	96000800000005	WASHER φ8 ,GB96	6

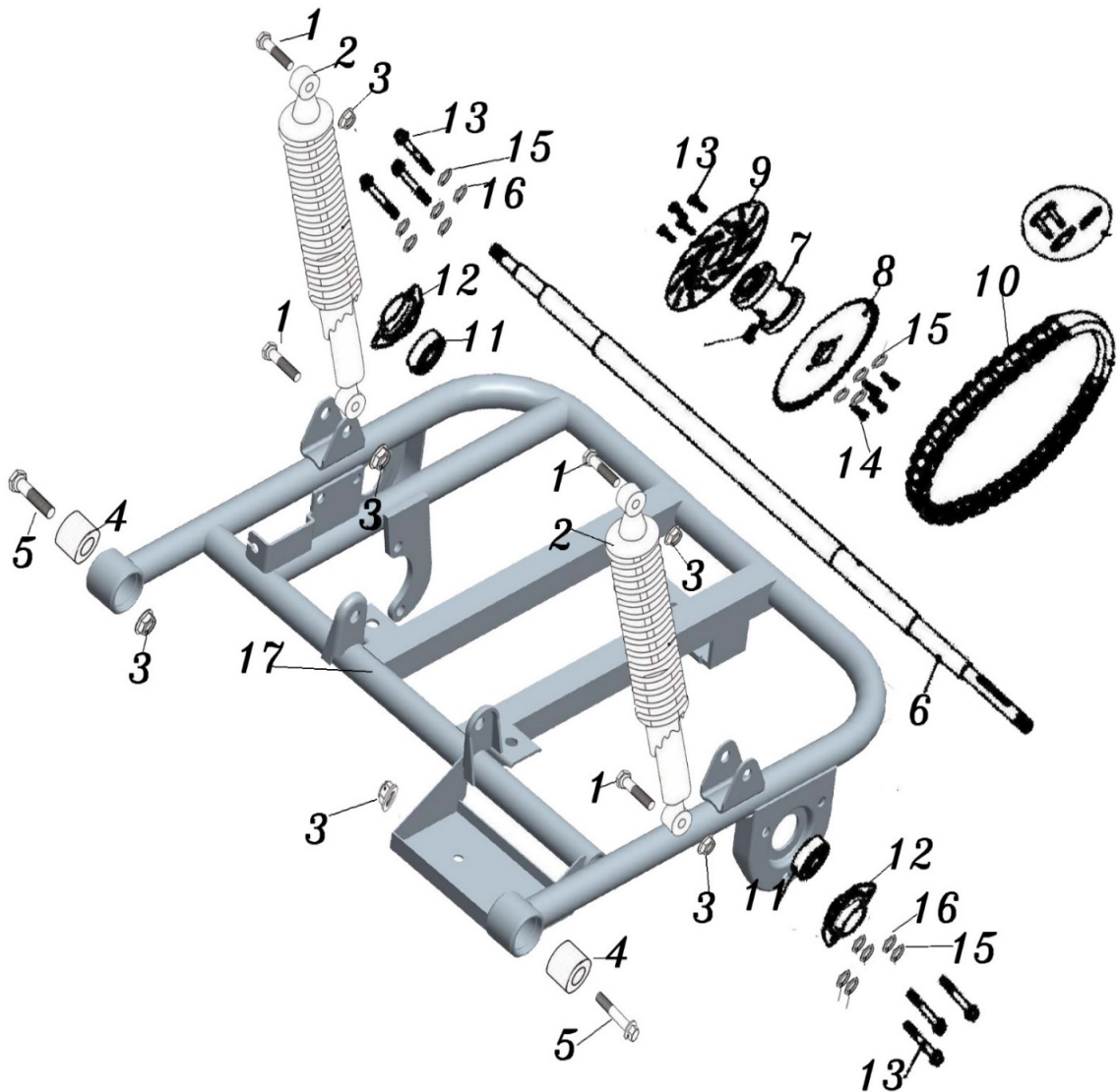


Fig 12

REAR WHEEL

NO.	CODE	DESCRIPTION	QTY.
1	54200-K1P	REAR WHEEL ASS Y.L	1
2	54100-K1P	REAR WHEEL ASS Y.R	1
3	54031-K1P	REAR TIRE 16x6-8	2
4	54110-K1P	RIM,REAR WHEEL	2
5	7190018250G000	TIRE NIPPLE	2
6	97001600000005	WASHER $\Phi 16 \times \Phi 40-3$	2
7	94571600015005	CASTLE NUT M16X1.5, GB9457	2
8	GB914004000002	COTTER PIN $\Phi 4 \times 40$, GB91	2
9	7020039250G001	HUB COVER (metal wheel)	2

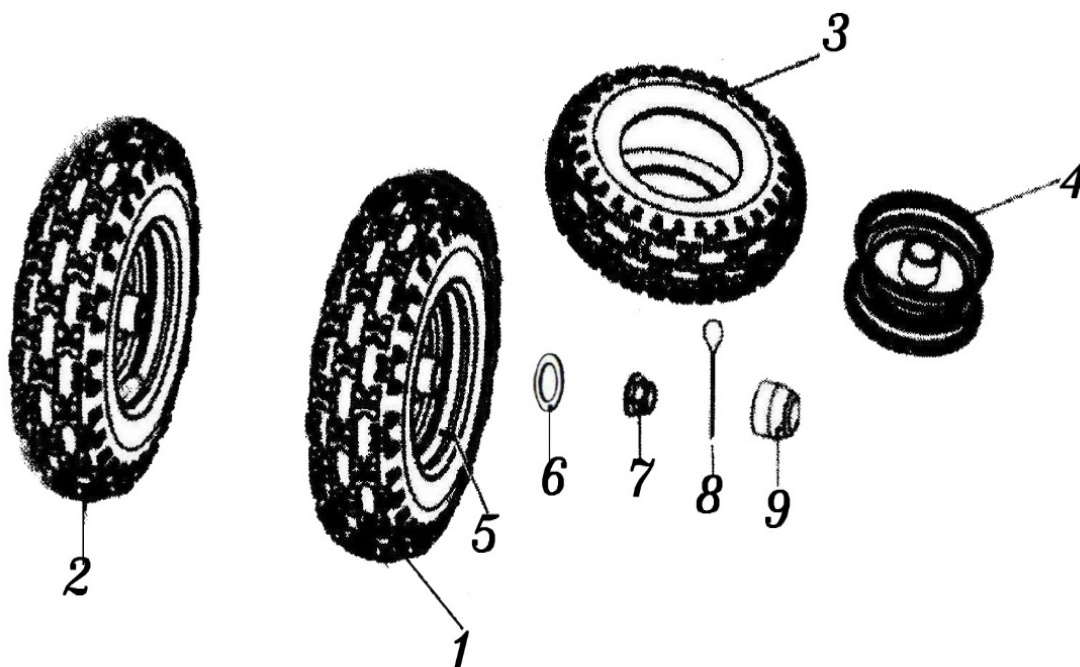


Fig 13

CLUTCH / CLUTCH COVER

NO.	CODE	DESCRIPTION	QTY.
1	58350-K3	CLUTCH COVER MOUNTING PLATE	1
2	57870801212505	BOLT M8X12 ,GB5787	3
3	10012-LA	WASHER $\Phi 30 \times \Phi 20 \times 1$	1
4	DP001-BSX-80U	WASHER $\Phi 29 \times \Phi 20 \times 2$	1
5	9.500.001	FRONT CLUTCH 80T	1
6	9.300.008	BUSHING BOLCK	1
7	57870804512505	BOLT M8X45 ,GB5787	1
8	93000800000005	LOCK WASHER $\phi 8$,GB93	1
9	96000800000005	WASHER $\phi 8$,GB96	1
10	9.100.018	BELT 725	1
11	9.500.010	REAR CLUTCH 80T	1
12	61871600015005	LOCKING NUT M16 \times 1.5	1
13	10960505000000	Axle Key 5*5-50	
14	65008-PL	CLUTCH COVER	1
15	57890600810005	BOLT M6*8,GB5789	2
16	57890601210005	BOLT M6*12,GB5789	1
17	96000600000005	WASHER $\phi 6$,GB96	3

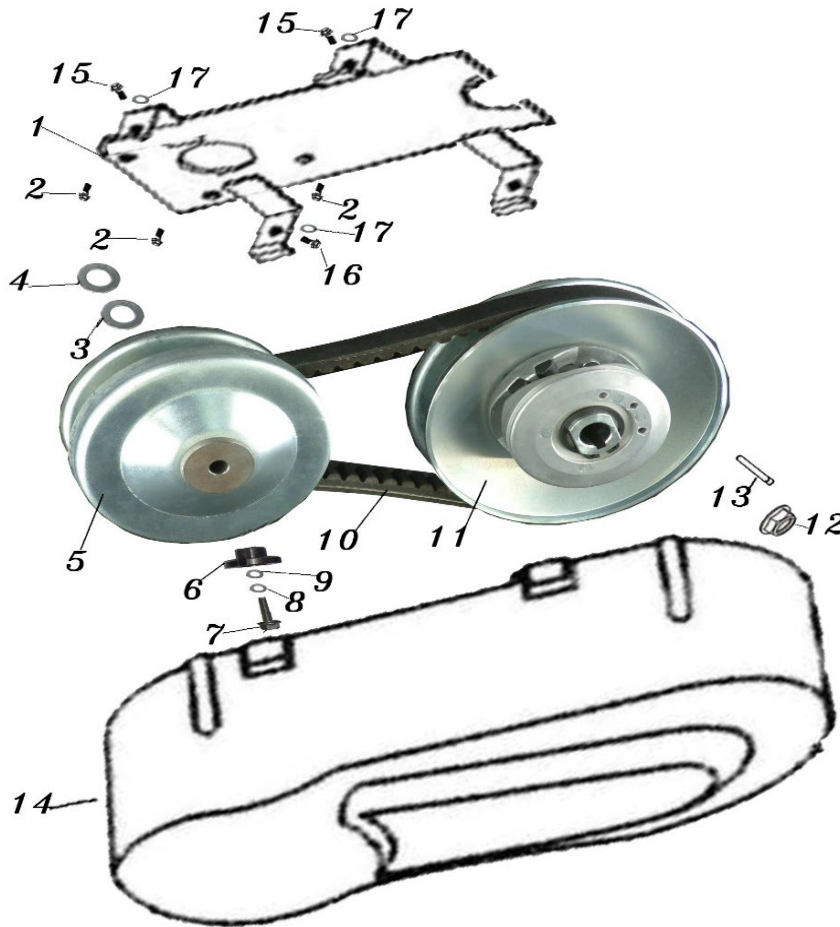


Fig 14

ELECTRIC PARTS

NO.	CODE	DESCRIPTION	QTY.	
1	7020023250G000	BATTERY STRAP	1	
2	7010028250G000	BATTERY COVER	1	
3	6000382250G000	BATTERY 12V 12AH	1	
4	7020020250G000	LOWER BATTERY CUSHION	1	
5	80026-K1P	BATTERY CABLE	1	
6	80025-K1P	WIRE HARNESS	1	
7	80050-K1P	INTELLIGENT ANTI THEFT SYSTEM	1	
8	80002-K1P	CN cassette nut M4	1	
9	81800401600005	BOLT M4X16 ,GB818	1	
10	57890601610005	BOLT M6X16 ,GB5789	3	
11	6000124150G000	voltage regulator	1	
12	80036-K5	HORN	1	
13	57890601210005	BOLT M6X12 ,GB5789	1	
14	58003-K1P	ANTI THEFT SYSTEM MOUNTING PLATE	1	
15	80001-K1P	CN cassette nut M6	1	
16	80034-K5	ENGINE STOP SWITCH	1	
17	80031-K5	HORN switch	1	
18	80010-K1P	headlamp switch (1021)	1	
19	80020-K3	Ignition switch	1	
20	10220-K3	CHOKE CABLE MOUNTING PLATE	1	
21	60130-K1P	CHOKE CABLE COMP	1	



BRAKE SYSTEM

Fig 15

NO.	CODE	DESCRIPTION	QTY.
1	54200-K1P	BRAKE ASSY.	1
2	54230-K1P	Oil cup.Brake	1
3	54240-K1P	Hose assy. Oil cup	1
4	54210-K1P	BRAKE MASTER CYLINDER	1
5	54220-K1P	HOSE ASSY.BRAKE 110mm	1
6	6.000.028	BRAKE CALIPER	1
7	7.020.016	BRAKE CALIPER PAD SET	1
8	57870801612505	BOLT M8X16 ,GB5787	2
9	93000800000005	LOCK WASHER $\phi 8$,GB93	2
10	97000800000005	WASHER $\phi 8$,GB97	2
11	57870802512505	BOLT M8X25 ,GB5787	2
12	61870800012505	LOCKING NUT M8, GB6187	2

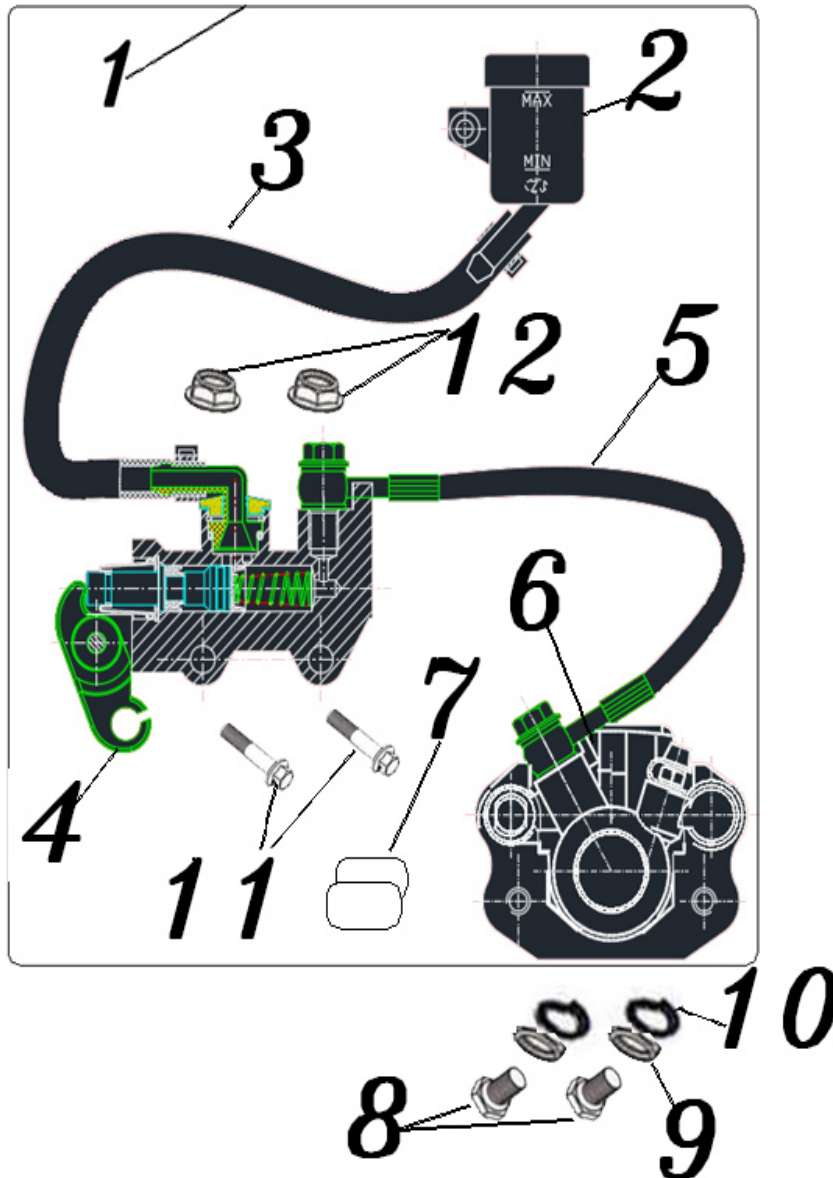
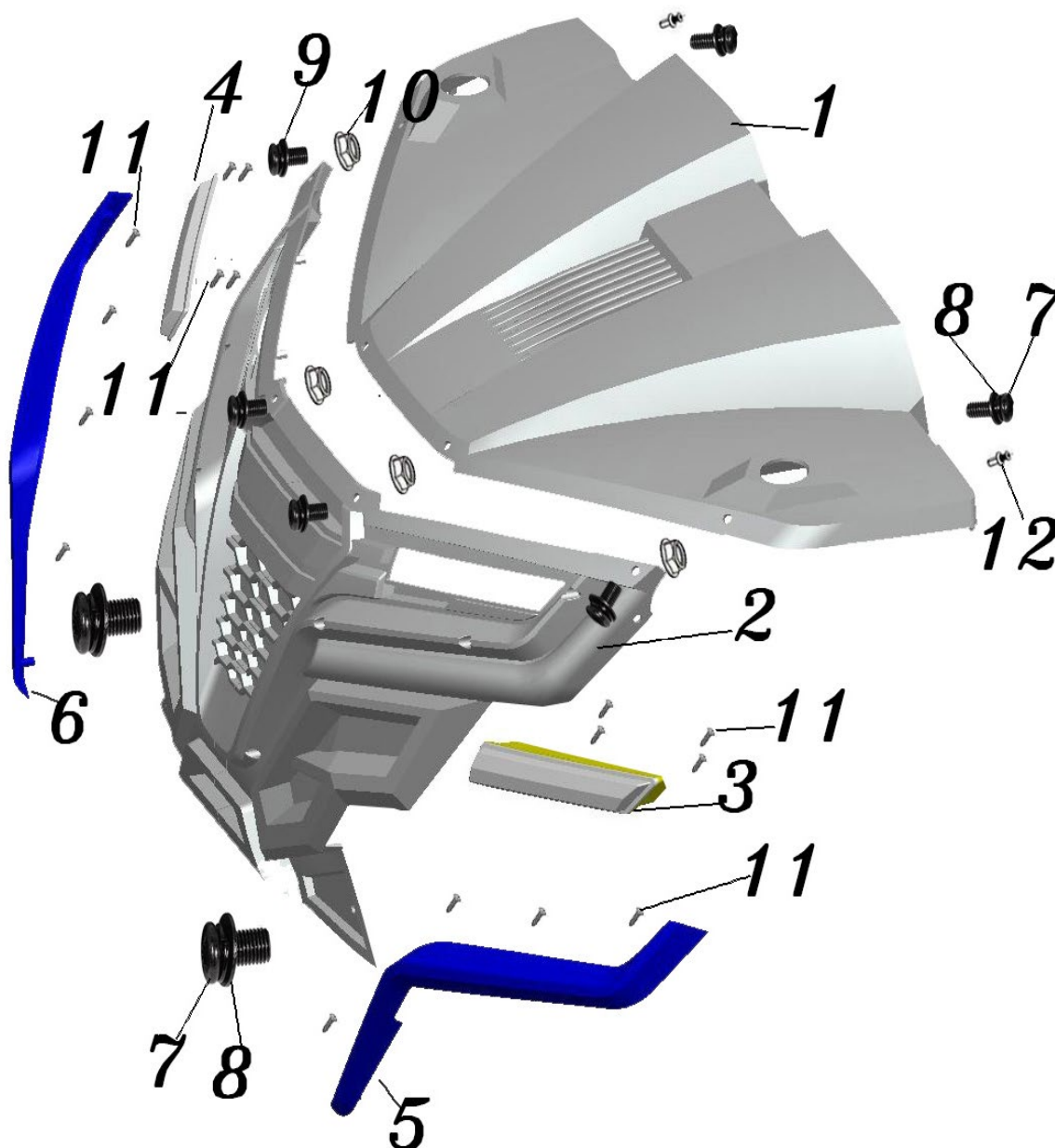


Fig 16

PLASTIC PART 1

NO.	CODE	DESCRIPTION	QTY.
1	65104-K1P	cover	1
2	65103-K1P	Front cover	1
3	81300-K1P	Headlights(L)	1
4	81100-K1P	Headlights(R)	1
5	65101-K1P	Decorative parts(L)	1
6	65102-K1P	Decorative parts(R)	1
7	57890601210005	BOLT M6X12 ,GB5789	4
8	96000600000005	WASHER φ6 ,GB96	4
9	90746601610005	BOLT M6X16 ,GB9074.6	4
10	61770800012505	NUT M8, GB6177	4
11	84503001000005	BOLT ST3*10 ,GB845	16
12	9.116.006	BULGE BOLT φ 6	2



PLASTIC PART 2

Fig 16

NO.	CODE	DESCRIPTION	QTY.	
1	65105-K1P	Front under cover®	1	
2	65108-K1P	Right above cover (FR)	1	
3	65109-K1P	Right cover	1	
4	65106-K1P	Front under cover(L)	1	
5	65107-K1P	Left above cover (FR)	1	
6	65110-K1P	Left cover	1	
7	84503001000005	BOLT ST3*10 ,GB845	10	
8	57890601210005	BOLT M6X12 ,GB5789	10	
9	96000600000005	WASHER φ6 ,GB96	10	
10	90746601610005	BOLT M6X16 ,GB9074.6	2	
11	61770800012505	NUT M8, GB6177	2	

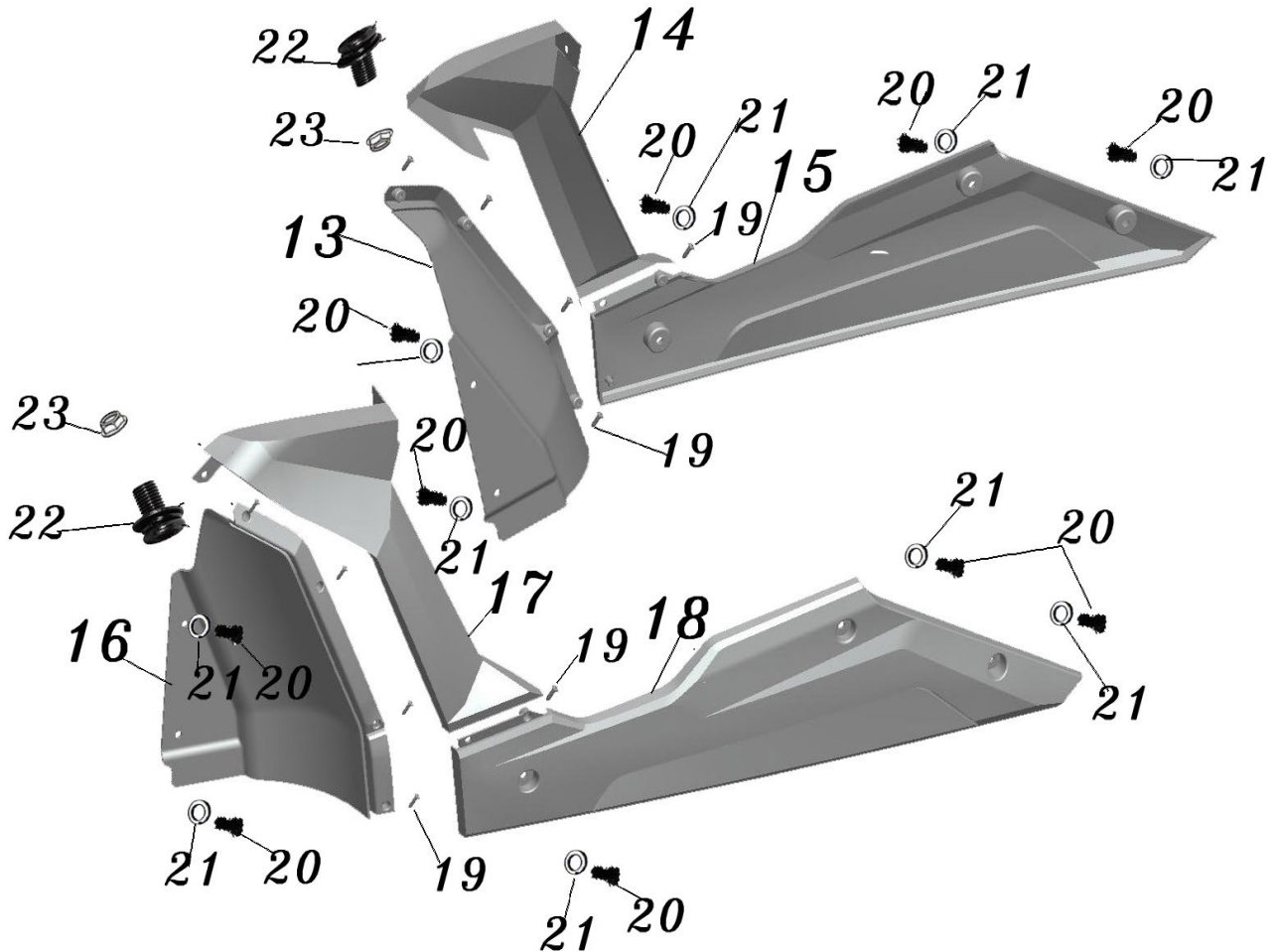


Fig 16

PLASTIC PART 3

NO.	CODE	DESCRIPTION	QTY.	
1	65111-K1P	Rear under right cover	1	
2	65113-K1P	Rear above right cover	1	
3	65112-K1P	Rear under Left cover	1	
4	65114-K1P	Rear above Left cover	1	
5	84503001000005	BOLT ST3*10 ,GB845	4	
6	57890601210005	BOLT M6X12 ,GB5789	4	
7	96000600000005	WASHER $\phi 6$,GB96	2	
8	57890600810005	BOLT M6X8 ,GB5789	4	

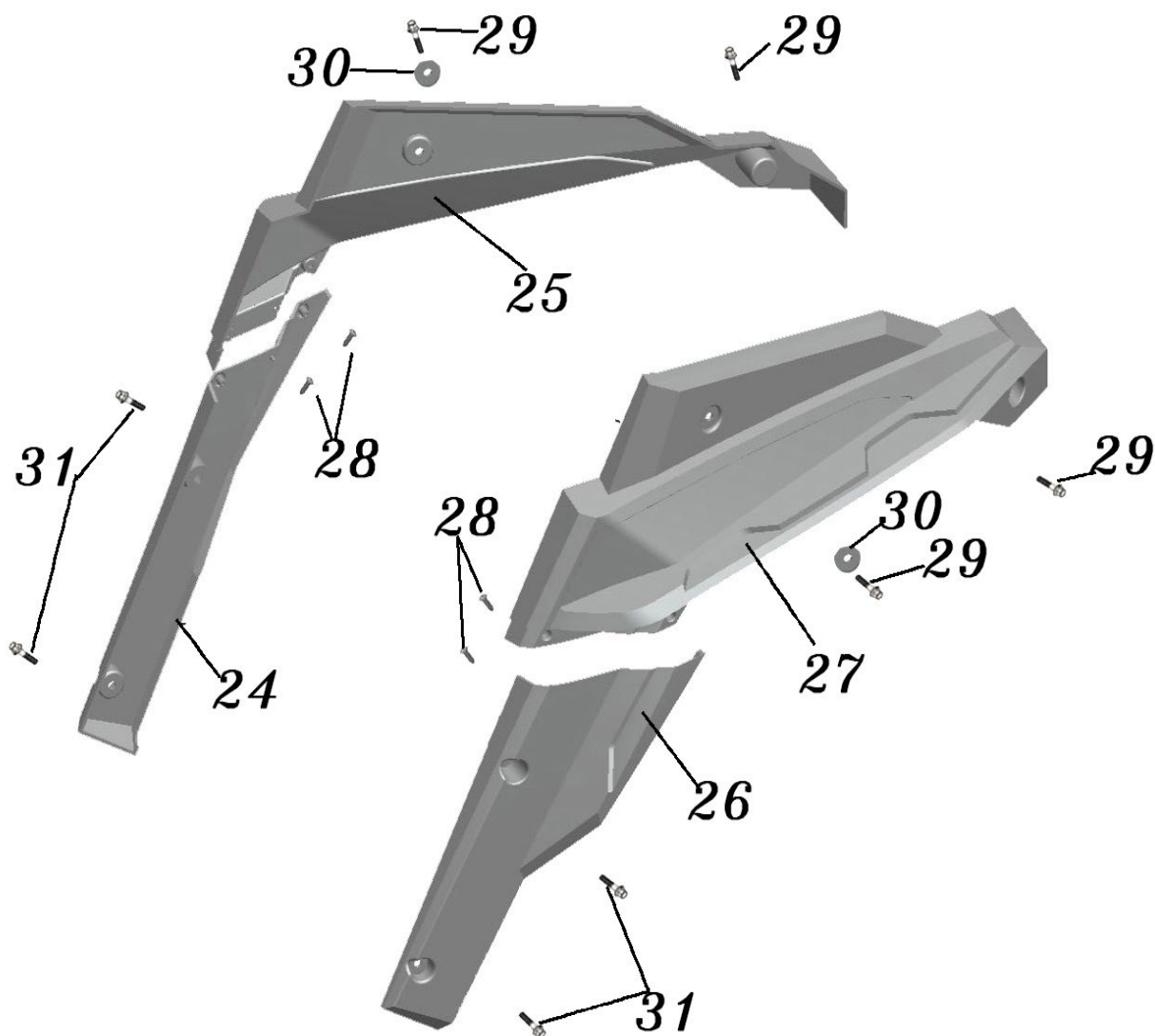


Fig 17

NO.	CODE	DESCRIPTION	QTY.
1	90720-K1P	Warning decals	1
2	90730-K1P	Type of decal	1
3	90771-K1P	ENGINE Manual	1
4	90772-K1P	Owner's Manual	1
5	90773-K1P	spark plug sleeve	1

