



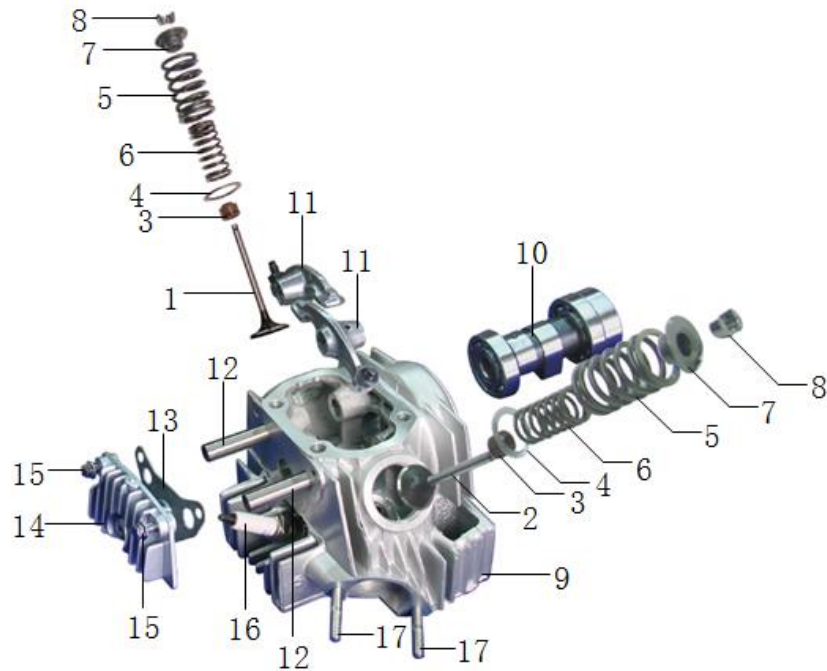
***TrailMaster Go-Kart***

**110 XRX**

**PARTS MANUAL**

Fig 1

CYLINDER



| REF. No. | Part No.   | DESCRIPTION                 | Q'TY |
|----------|------------|-----------------------------|------|
| 1        | 104301     | VALVE,INTAKE                | 1    |
| 2        | 104302     | VALVE,EXHAUST               | 1    |
| 3        | 104310     | OIL RETAINER                | 2    |
| 4        | 104306     | SPRING BASE,OUTER VALVE     | 2    |
| 5        | 104304     | SPRING,OUTER VALVE          | 2    |
| 6        | 104303     | SPRING,INNER VALVE          | 2    |
| 7        | 104307     | VALVE-SPRING RETAINER       | 2    |
| 8        | 104308     | VALVE COLLET                | 4    |
| 9        | 102240     | CYLINDER HEAD               | 1    |
| 10       | 104130     | CAMSHAFT                    | 1    |
| 11       | 104410     | VALVE ROCKER                | 2    |
| 12       | 104411     | SHAFT,VALVE ROCKER          | 2    |
| 13       | 102206     | SEAL SPACER,CYLINDER HEAD,R | 1    |
| 14       | 102290     | COVER,CYLINDER HEAD,R       | 1    |
| 15       | 116101-003 | BOLT M6X20                  | 2    |
| 16       | 102250     | SPARK PLUG                  | 1    |
| 17       | 102222     | BOLT,EXHAUST PIPE           | 2    |

Fig 2

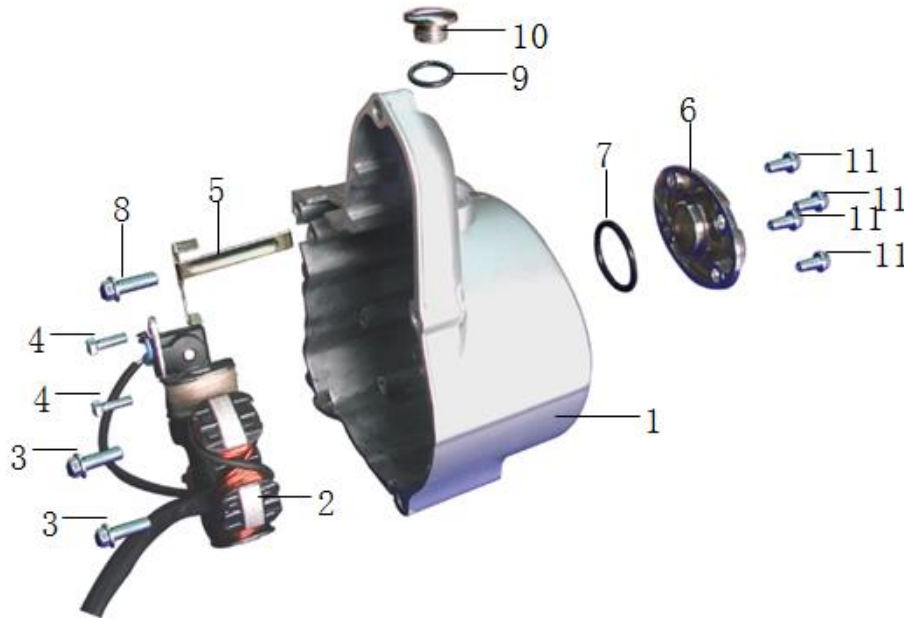
CRANKCASE COVER, R



| REF. No. | Part No. | DESCRIPTION                | Q'TY |
|----------|----------|----------------------------|------|
| 1        | 101401   | CRANKCASE COVER,R          | 1    |
| 2        | 106308   | ADJUSTMENT NUT M8          | 1    |
| 3        | 101442   | O-RING $\phi 18 \times 3$  | 1    |
| 4        | 101441   | OIL GAGE                   | 1    |
| 5        | 106307   | BOLT M8                    | 1    |
| 6        | 106330   | TAPPET                     | 1    |
| 7        | 106309   | O-RING $\phi 8 \times 1.8$ | 1    |
| 8        | 106311   | FLAT WANSHER $\phi 8$      | 1    |

Fig 3

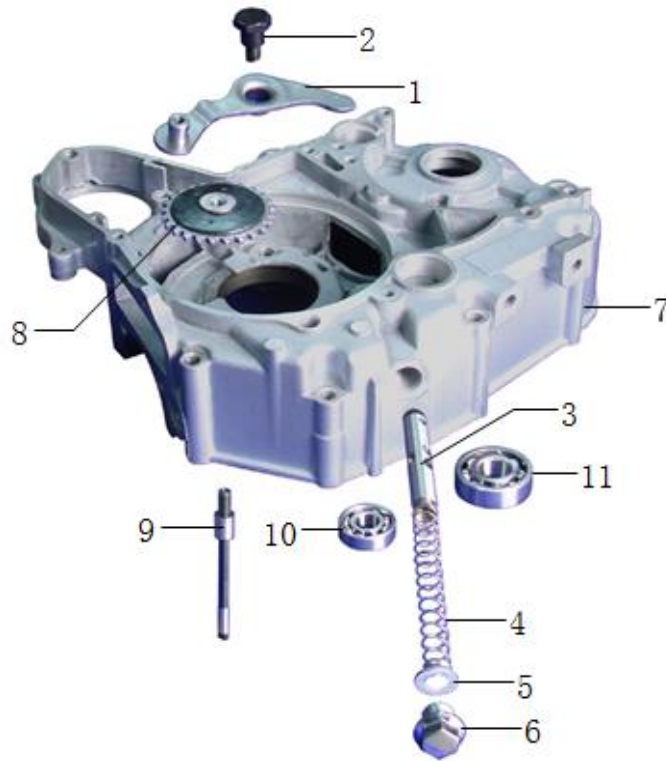
CRANKCASE COVER, L



| REF. No. | Part No.   | DESCRIPTION                | Q'TY |
|----------|------------|----------------------------|------|
| 1        | 101301     | CRANKCASE COVER,L          | 1    |
| 2        | 111200     | MAGNETO STATOR             | 1    |
| 3        | 116101-043 | BOLT M6X16                 | 2    |
| 4        | 116102-004 | BOLT M5X16                 | 2    |
| 5        | 101309     | TENSION DISC               | 1    |
| 6        | 101316     | INSPECTION PLATE 1         | 1    |
| 7        | 101312     | INSPECTION O-RING 27.4×2.4 | 1    |
| 8        | 116102-020 | BOLT M6X16                 | 1    |
| 9        | 101313     | INSPECTION O-RING 13.8×2.5 | 1    |
| 10       | 101307     | INSPECTION PLATE 2         | 1    |
| 11       | 101301     | BOLT M6X12                 | 4    |

Fig 4

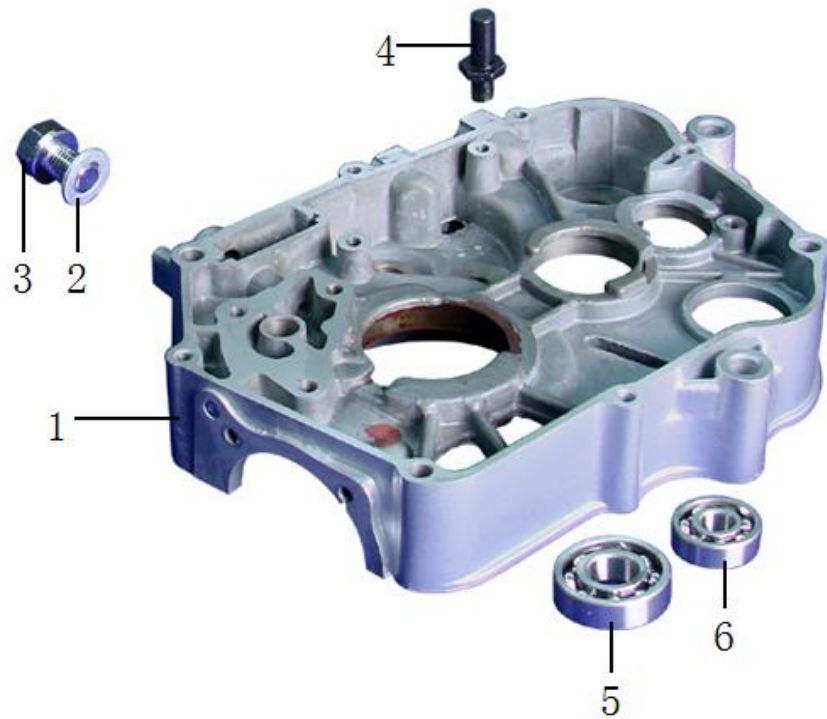
CRANKCASE, L



| REF. No. | Part No.   | DESCRIPTION                 | Q'TY |
|----------|------------|-----------------------------|------|
| 1        | 104220     | ARM,CHAIN TENSIONING        | 1    |
| 2        | 104208     | ARM PIN,CHAIN TENSIONING    | 1    |
| 3        | 104230     | ROD,CHAIN TENSIONING        | 1    |
| 4        | 104203     | ROD SPRING,CHAIN TENSIONING | 1    |
| 5        | 104224     | WASHER,SEAL BOLT            | 1    |
| 6        | 104223     | SEAL BOLT                   | 1    |
| 7        | 101140     | CRANKCASE ASSY.,L           | 1    |
| 8        | 105120     | DRIVEN SPROCKET,OIL PUMP    | 1    |
| 9        | 105102     | SPROCKET SHAFT,OIL PUMP     | 1    |
| 10       | 116210-002 | BEARING 6001                | 1    |
| 11       | 116210-005 | BEARING 6203                | 1    |

Fig 5

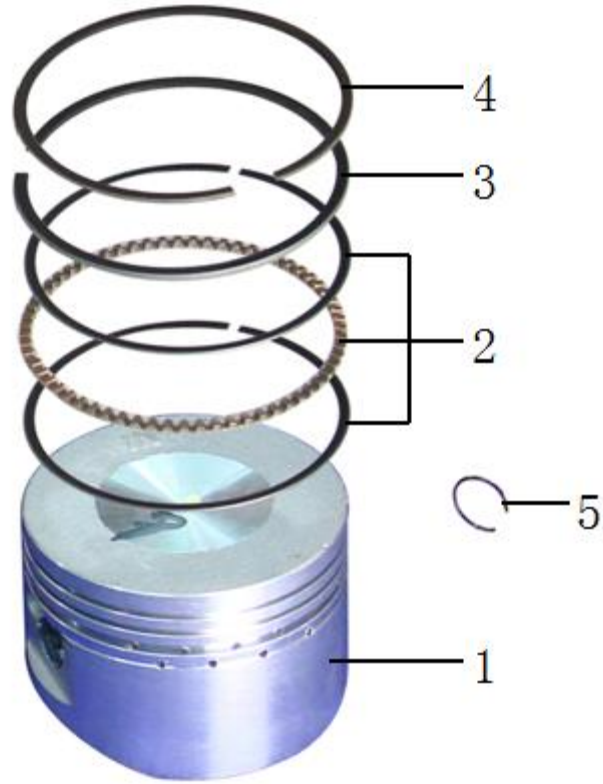
CRANKCASE,R



| REF. No. | Part No.   | DESCRIPTION            | Q'TY |
|----------|------------|------------------------|------|
| 1        | 101220     | CRANKCASE ASSY.,R      | 1    |
| 2        | 101121     | WASHER, DRAIN PLUG     | 1    |
| 3        | 101119     | DRAIN PLUG             | 1    |
| 4        | 108201     | BOLT,SHIFTING POSITION | 1    |
| 5        | 116210-005 | BEARING 6203           | 1    |
| 6        | 116210-003 | BEARING 6201           | 1    |

Fig 6

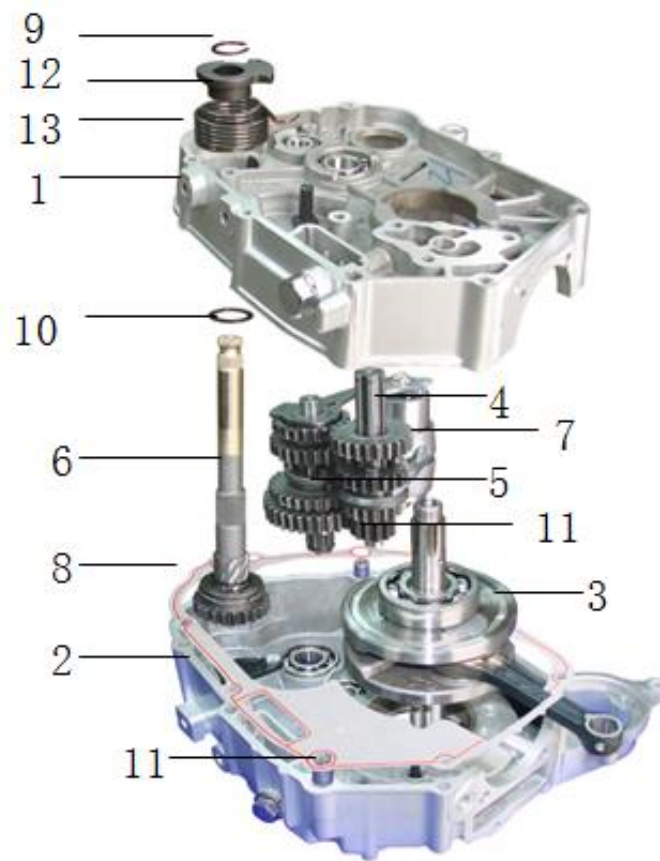
PISTON



| REF. No. | Part No. | DESCRIPTION         | Q'TY |
|----------|----------|---------------------|------|
| 1        | 103101   | PISTON              | 1    |
| 2        | 103110   | PISTON RING         | 1    |
| 3        | 103105   | FIRST RING          | 1    |
| 4        | 103104   | SECOND RING         | 1    |
| 5        | 103103   | CIRCLIP, PISTON PIN | 1    |

Fig 7

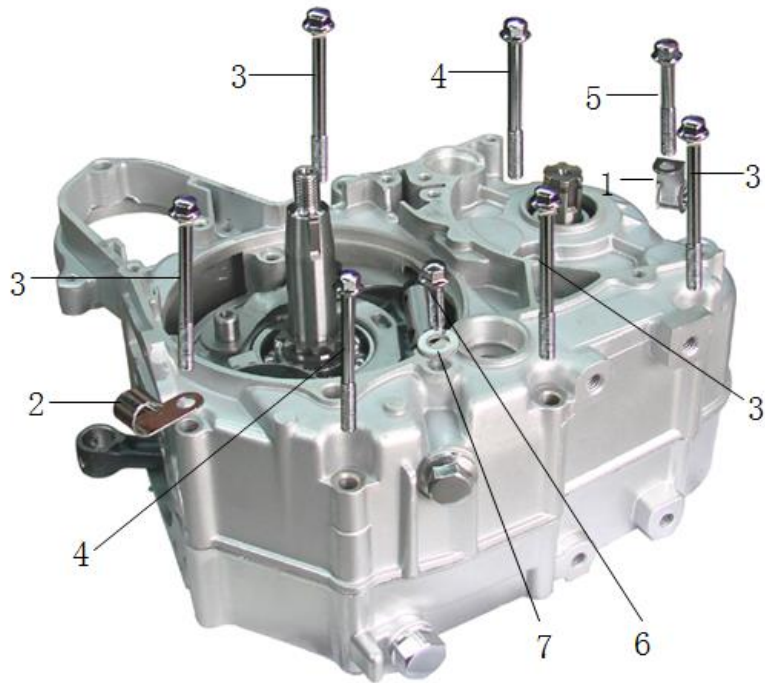
CRANKCASE ASSY.



| REF. No. | Part No.   | DESCRIPTION               | Q'TY |
|----------|------------|---------------------------|------|
| 1        | 101200     | CRANKCASE PART,R          | 1    |
| 2        | 101100     | CRANKCASE PART,L          | 1    |
| 3        | 103200     | ROD,CRANK CONNECTING      | 1    |
| 4        | 107100     | MIANSHAFT                 | 1    |
| 5        | 107200     | COUNTERSHAFT              | 1    |
| 6        | 109300     | STARTING SHAFT            | 1    |
| 7        | 108100     | TRANSMISSION DRUM         | 1    |
| 8        | 101101     | CRANKCASE SEAL,L          | 1    |
| 9        | 109313-003 | SNAP RING $\phi$ 12       | 1    |
| 10       | 109313-002 | SHAFT GASKET              | 1    |
| 11       | 116108-011 | PIN $\phi$ 10 $\times$ 14 | 2    |
| 12       | 109308     | SEAT,STARTING SPRING      | 1    |
| 13       | 109304     | STARTING SPRING           | 1    |

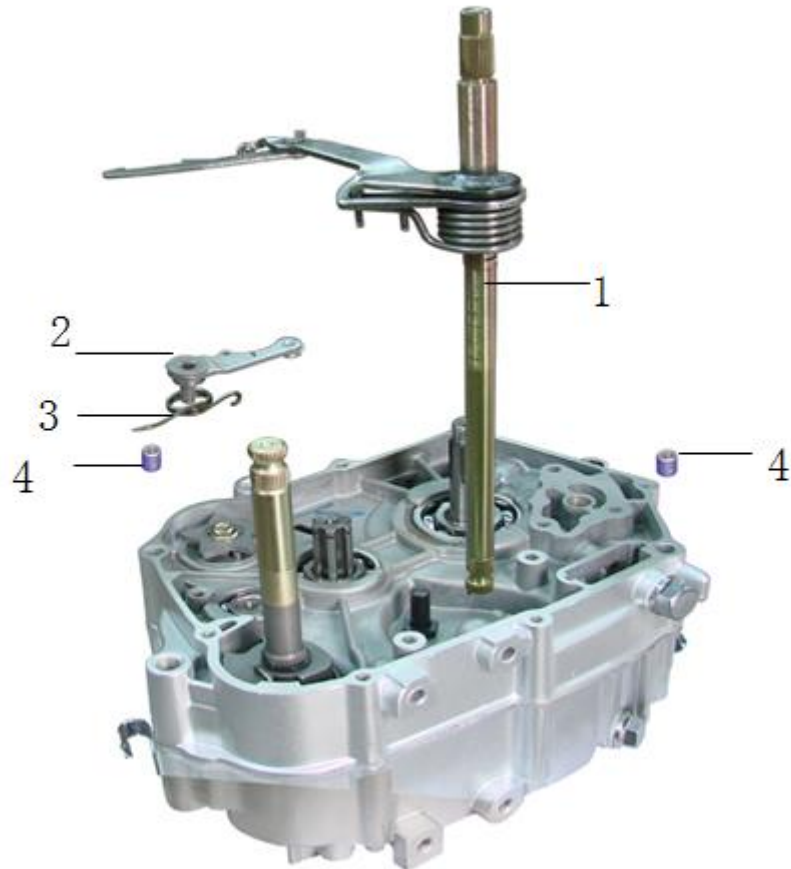


Fig 8



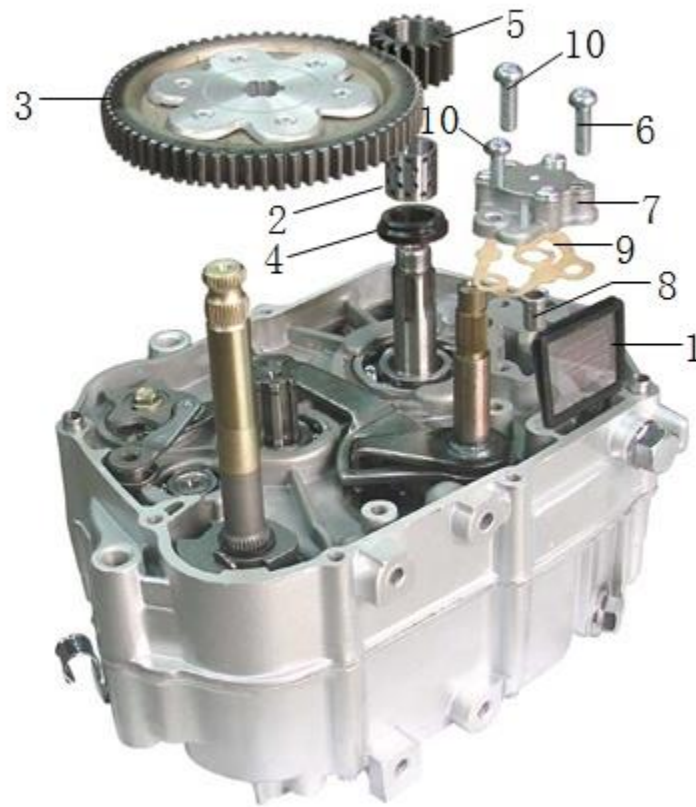
| REF. No. | Part No.   | DESCRIPTION             | Q'TY |
|----------|------------|-------------------------|------|
| 1        | 101205     | PIPE CLAMP, VENTILATION | 1    |
| 2        | 101114     | PIPE CLAMP, OVER-FLOW   | 1    |
| 3        | 116101-013 | BOLT M6X65              | 4    |
| 4        | 116101-012 | BOLT M6X60              | 2    |
| 5        | 116101-011 | BOLT M6X50              | 1    |
| 6        | 116101-002 | BOLT M6X14              | 1    |
| 7        | 102221     | IRON WASHER $\phi 6$    | 1    |

Fig 9



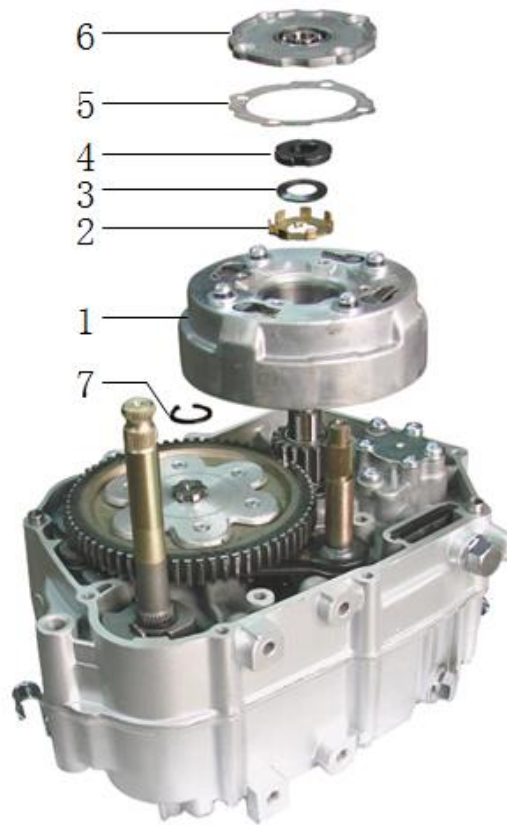
| REF. No. | Part No.   | DESCRIPTION              | Q'TY |
|----------|------------|--------------------------|------|
| 1        | 108210     | SHAFT,SHIFTING GEAR      | 1    |
| 2        | 108130     | GUIDE PLATE              | 1    |
| 3        | 108101     | SPRING,GUIDE PLATE       | 1    |
| 4        | 116108-007 | PIN $\phi$ 8 $\times$ 12 | 2    |

Fig 10



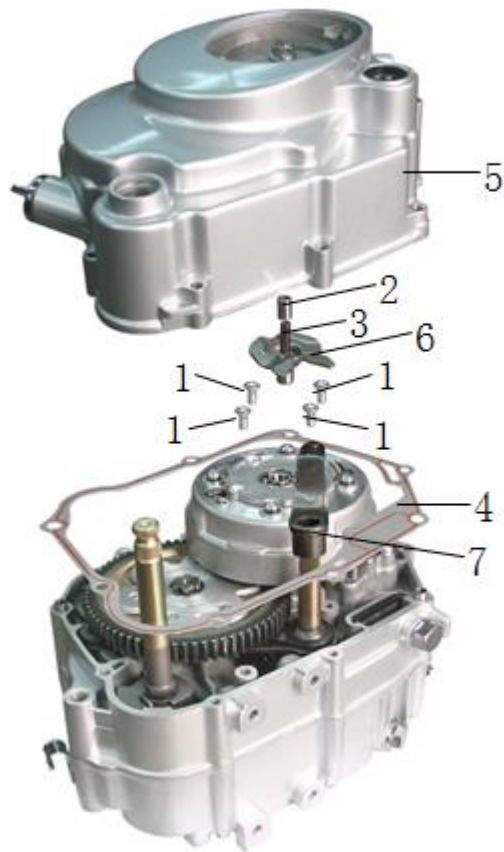
| REF. No. | Part No.   | DESCRIPTION                    | Q'TY |
|----------|------------|--------------------------------|------|
| 1        | 101130     | GEAR OIL FILTER                | 1    |
| 2        | 106002     | DRIVING GEAR SLEEVE            | 1    |
| 3        | 106020     | DRIVEN GEAR ASSY.              | 1    |
| 4        | 106101     | CLUTCH COLLAR                  | 1    |
| 5        | 106001     | DRIVING GEAR                   | 1    |
| 6        | 116105-009 | BOLT M6X22                     | 1    |
| 7        | 105110     | OIL PUMP                       | 1    |
| 8        | 105103     | SHAFT SLEEVE,OIL PUMP SPROCKET | 1    |
| 9        | 105104     | SEAL,OIL PUMP                  | 2    |
| 10       | 116105-008 | BOLT M6X16                     | 2    |

Fig 11



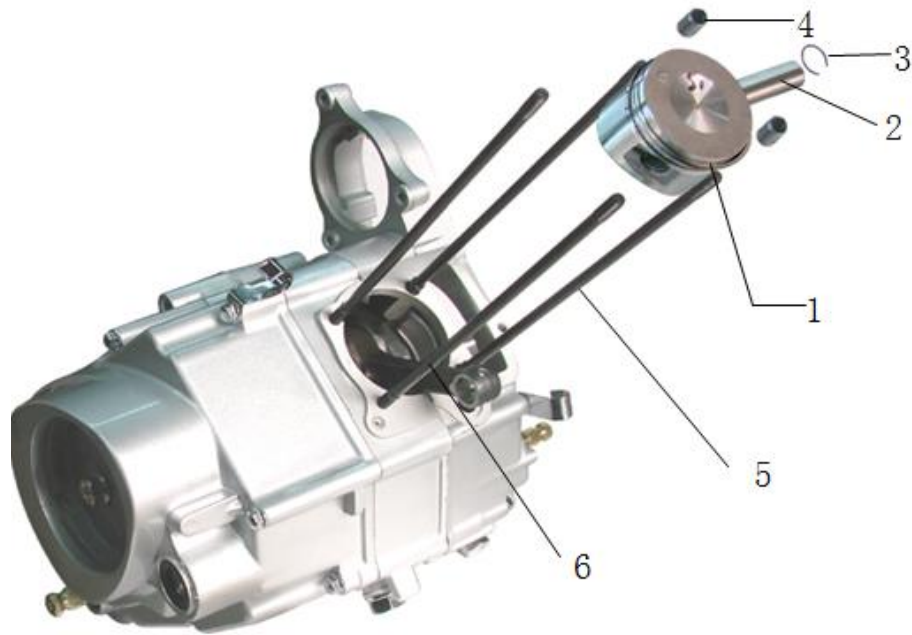
| REF. No. | Part No. | DESCRIPTION         | Q'TY |
|----------|----------|---------------------|------|
| 1        | 106200   | CLUTCH BODY         | 1    |
| 2        | 106102   | RETAINING WASHER    | 1    |
| 3        | 106112   | BUTTERFLY WASHER    | 1    |
| 4        | 106111   | ROUND NUT           | 1    |
| 5        | 106109   | SEAL, END CAP       | 1    |
| 6        | 106108   | END CAP, CLUTCH     | 1    |
| 7        | 106104   | SNAP RING $\phi$ 17 | 1    |

Fig 12



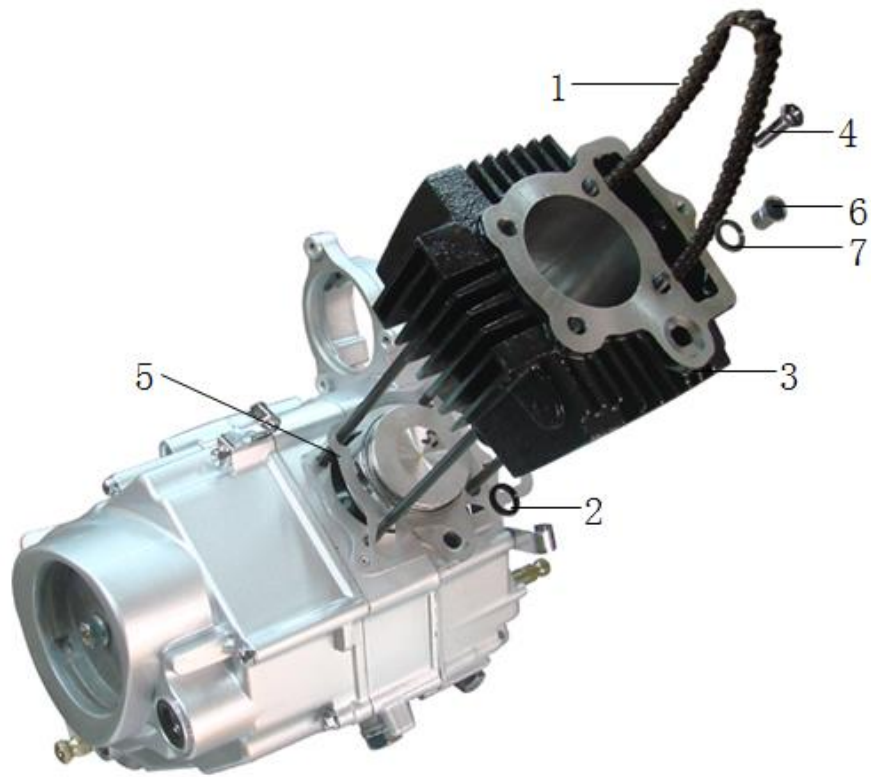
| REF. No. | Part No.   | DESCRIPTION                   | Q'TY |
|----------|------------|-------------------------------|------|
| 1        | 116106-001 | BOLT M5X12                    | 4    |
| 2        | 106105     | TUBE,OIL FLOW                 | 2    |
| 3        | 106106     | TUBE SPRING,OIL FLOW          | 1    |
| 4        | 101403     | SEAL SPACER,CRANKCASE COVER,R | 1    |
| 5        | 101401     | CRANKCASE COVER,R             | 1    |
| 6        | 106130     | CAM DISC                      | 1    |
| 7        | 108230     | SHIFTING LEVER                | 1    |

Fig 13



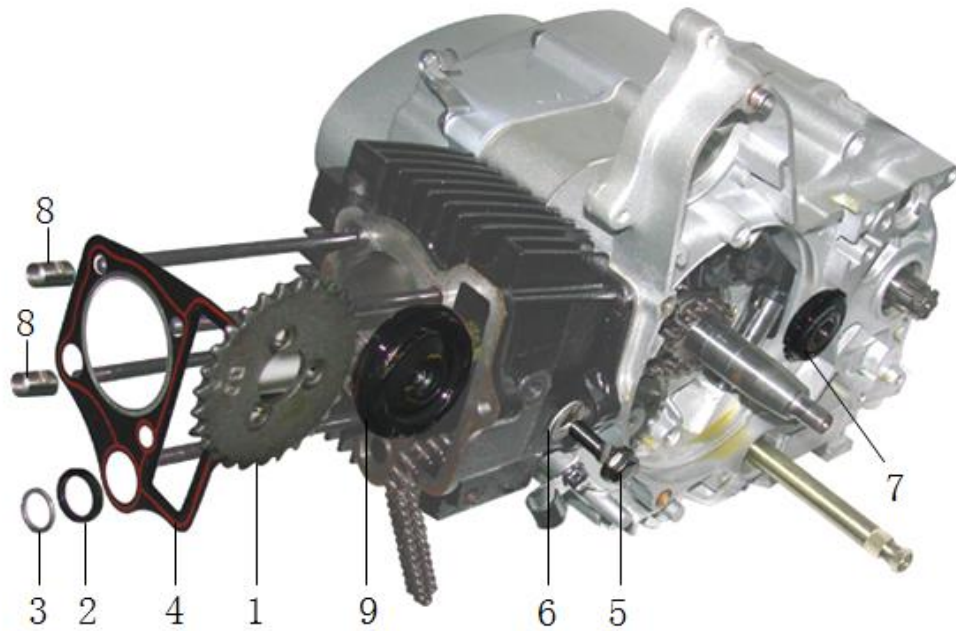
| REF. No. | Part No.   | DESCRIPTION            | Q'TY |
|----------|------------|------------------------|------|
| 1        | 103100     | PISTON                 | 1    |
| 2        | 103102     | PISTON PIN             | 1    |
| 3        | 103103     | CIRCLIP, PISTON PIN    | 1    |
| 4        | 116108-007 | PIN $\phi 8 \times 12$ | 2    |
| 5        | 101103     | STUD A                 | 2    |
| 6        | 101104     | STUD B                 | 2    |

Fig 14



| REF. No. | Part No.   | DESCRIPTION                                  | Q'TY |
|----------|------------|--|------|
| 1        | 104150     | TIMING CHAIN                                 | 1    |
| 2        | 102104     | SEAL $\phi 11.5 \times \phi 14.7 \times 1.5$ | 1    |
| 3        | 102100     | CYLINDER BODY                                | 1    |
| 4        | 102217-004 | BOLT M6X23                                   | 1    |
| 5        | 102108     | SEAL SPACER, CYLINDER BODY                   | 1    |
| 6        | 102107     | BUSHING                                      | 1    |
| 7        | 102105     | SEAL $\phi 9 \times \phi 11.7 \times 1.5$    | 1    |

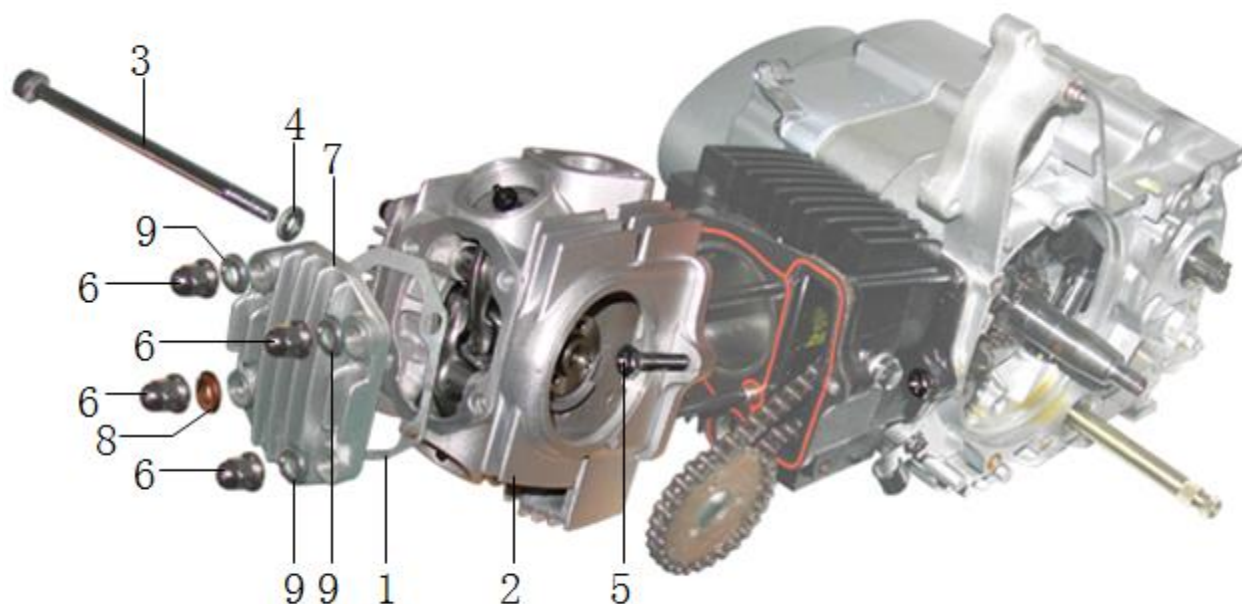
Fig 15



| REF. No. | Part No.   | DESCRIPTION                                  | Q'TY |
|----------|------------|--|------|
| 1        | 104101     | DRIVEN SPROCKET,TIMING                       | 1    |
| 2        | 102103     | SEAL $\phi 14.5 \times \phi 18.5 \times 2.4$ | 1    |
| 3        | 102106     | BUSHING $\phi 11.5$                          | 1    |
| 4        | 102230     | SEAL SPACER, CYLINDER HEAD                   | 1    |
| 5        | 104206     | CHAIN GUIDE ROLLER SHAFT                     | 1    |
| 6        | 104207     | WANSHER $\phi 8$ ,                           | 1    |
| 7        | 104204     | ROLLER,CHAIN TENSIONING                      | 1    |
| 8        | 116108-011 | PIN $\phi 8 \times 14$                       | 2    |
| 9        | 10205      | ROLLER,CHAIN GUIDING                         | 1    |

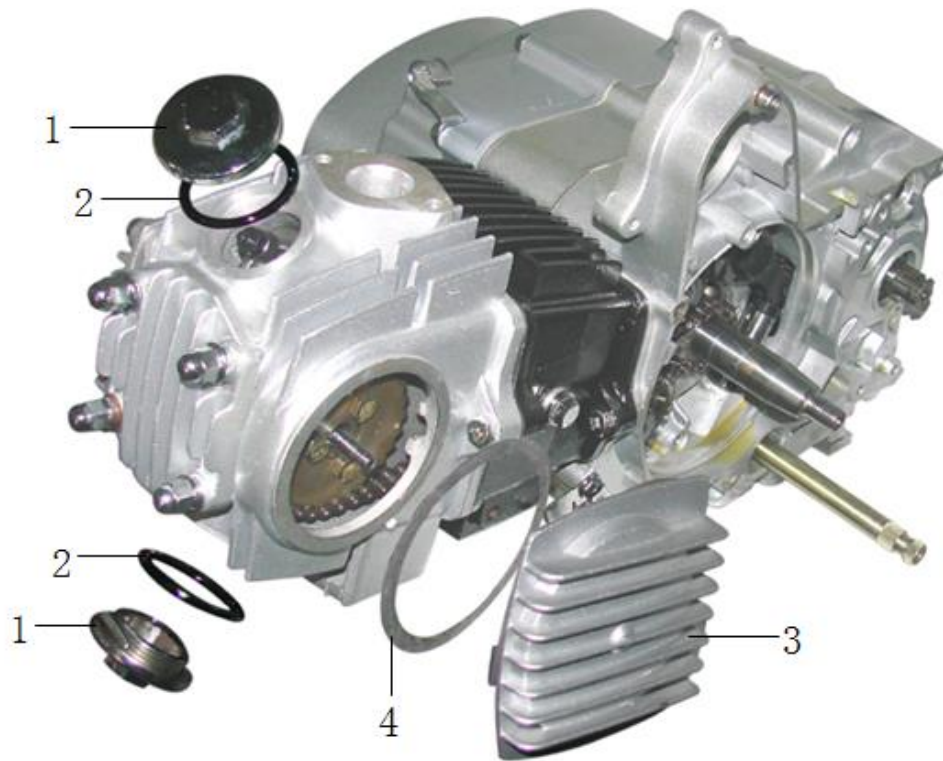


Fig 16



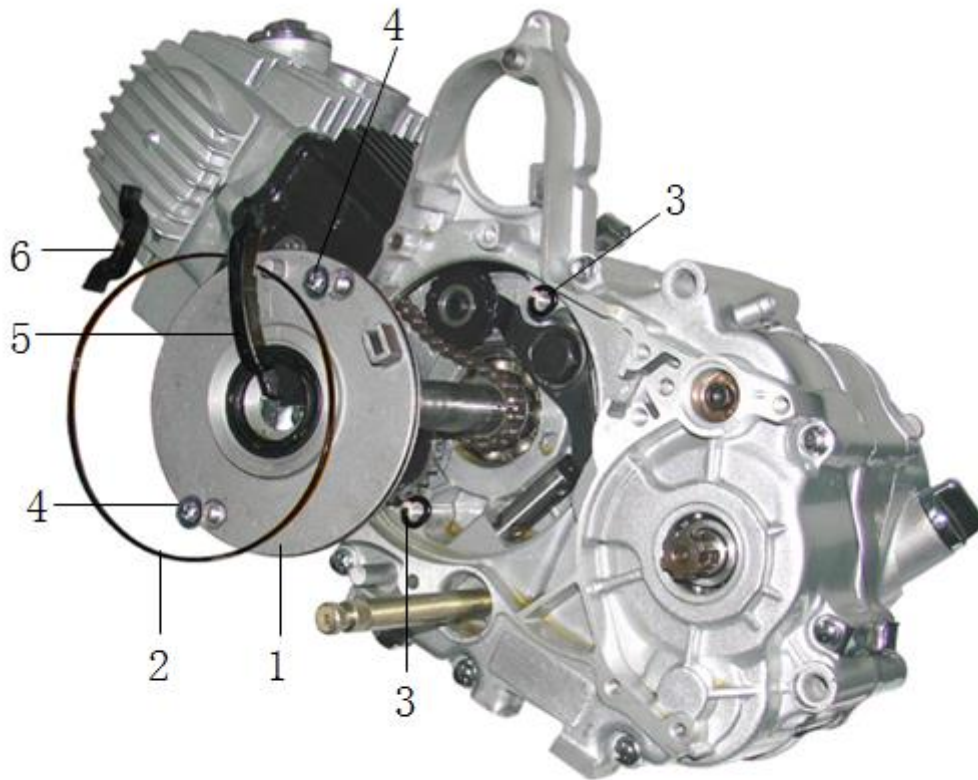
| REF. No. | Part No.   | DESCRIPTION                      | Q'TY |
|----------|------------|----------------------------------|------|
| 1        | 102202     | SEAL SPACER,CYLINDER HEAD COVER  | 1    |
| 2        | 102200     | CYLINDER HEAD PART               | 1    |
| 3        | 102223     | BOLT M6X110,CYLINDER HEAD,L      | 1    |
| 4        | 102224     | WASHER $\phi 6$ ,CYLINDER HEAD,L | 1    |
| 5        | 102217-004 | BOLT M6X23                       | 1    |
| 6        | 102218     | ACORN NUT M6                     | 4    |
| 7        | 102201     | CYLINDER HEAD COVER              | 1    |
| 8        | 102219     | COPPER WASHER $\phi 6$           | 1    |
| 9        | 102221     | IRON WASHER $\phi 6$             | 3    |
| 10       | 104102     | TIMING BOLT M5X12                | 3    |

Fig 17



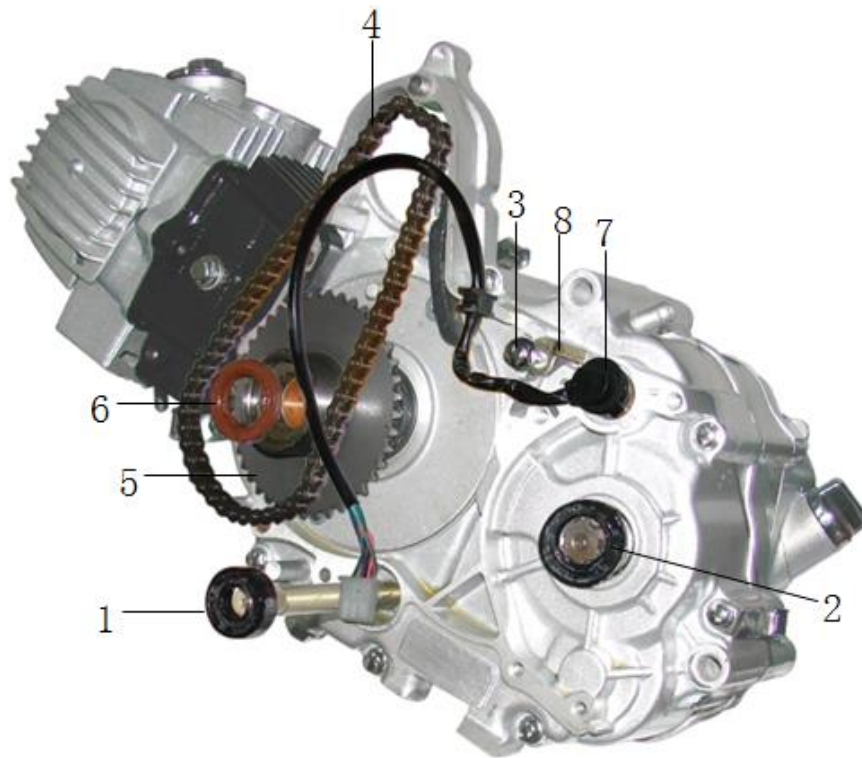
| REF. No. | Part No. | DESCRIPTION                 | Q'TY |
|----------|----------|-----------------------------|------|
| 1        | 102207   | VALVE COVER                 | 2    |
| 2        | 102208   | O-RING, VALVE COVER         | 2    |
| 3        | 102203   | COVER,CYLINDER HEAD,L       | 1    |
| 4        | 102204   | SEAL SPACER,CYLINDER HEAD,L | 1    |

Fig 18



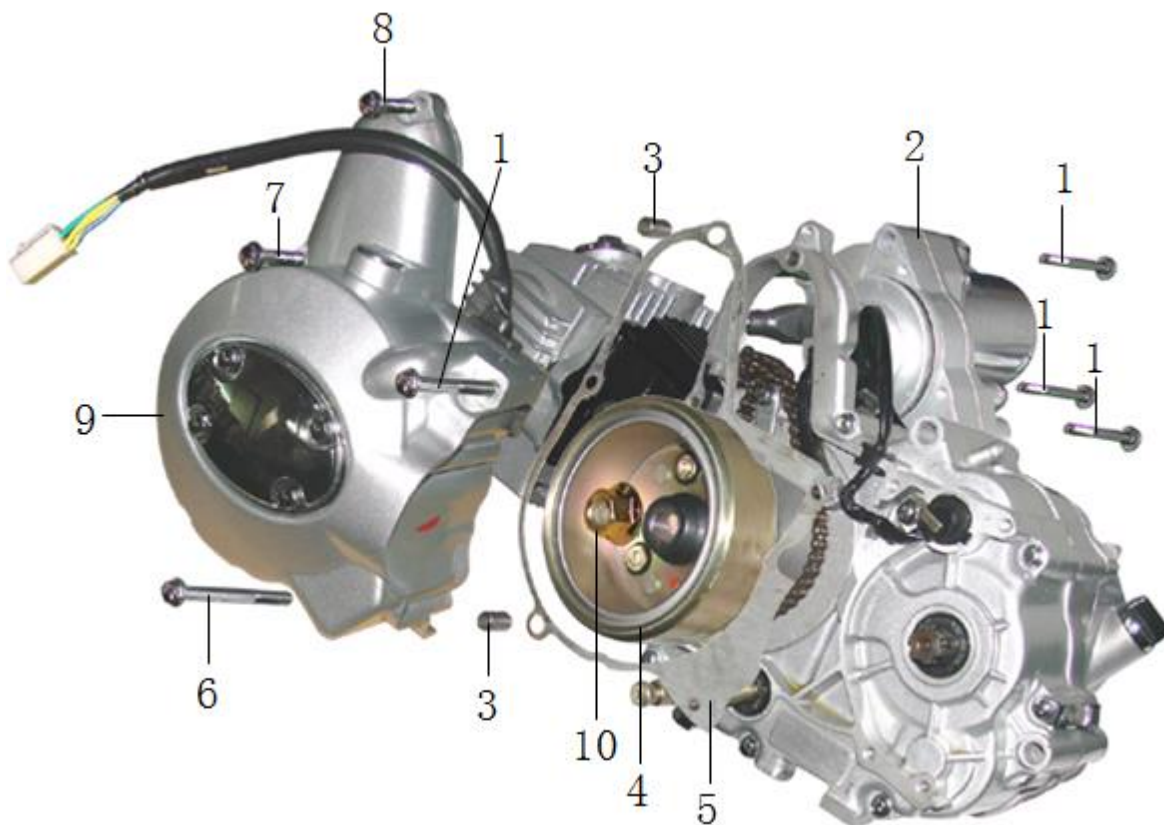
| REF. No. | Part No.   | DESCRIPTION                                  | Q'TY |
|----------|------------|--|------|
| 1        | 101105     | SEAL PAN                                     | 1    |
| 2        | 101106     | O-RING $\phi 107 \times 2$ , SEAL PIN        | 1    |
| 3        | 101124     | O-RING $\phi 5.8 \times 1.9$ , SEAL PIN BOLT | 2    |
| 4        | 116106-002 | BOLT M6X16                                   | 2    |
| 5        | 104202     | GUIDE PLATE, CHAIN                           | 1    |
| 6        | 104201     | TENSIONING PLATE, CHAIN                      | 1    |

Fig 19



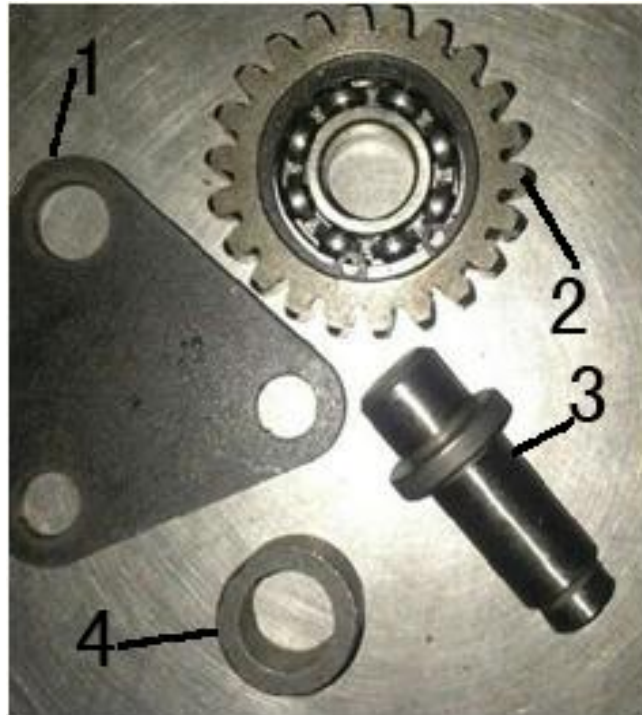
| REF. No. | Part No.   | DESCRIPTION  | Q'TY |
|----------|------------|--|------|
| 1        | 108240     | OIL SEAL $\phi$ 11.6 $\times$ $\phi$ 24 $\times$ 10,<br>SELECTOR SHAFT | 1    |
| 2        | 107230     | OIL SEAL $\phi$ 29 $\times$ $\phi$ 17 $\times$ 5,COUNTERSHAFT          | 1    |
| 3        | 116101-001 | BOLT M6X12   | 1    |
| 4        | 109240     | DRIVING CHAIN  | 1    |
| 5        | 109210     | DRIVING SPROKET  | 1    |
| 6        | 109250     | OIL SEAL $\phi$ 30 $\times$ $\phi$ 18.9 $\times$ 5,<br>DRIVING SPROKET | 1    |
| 7        | 113200     | GEAR INDICATOR   | 1    |
| 8        | 113206     | SWITCH PLATE   | 1    |

Fig 20



| REF. No. | Part No.   | DESCRIPTION                   | Q'TY |
|----------|------------|-------------------------------|------|
| 1        | 116101-011 | BOLT M6X50                    | 4    |
| 2        | 112000     | STARTER MOTOR                 | 1    |
| 3        | 116108-007 | PIN $\phi$ 8x12               | 2    |
| 4        | 111100     | ROTOR                         | 1    |
| 5        | 101304     | SEAL SPACER,CRANKCASE COVER,L | 1    |
| 6        | 116102-013 | BOLT M6X65                    | 1    |
| 7        | 116101-007 | BOLT M6X32                    | 1    |
| 8        | 116101-006 | BOLT M6X28                    | 1    |
| 9        | 101300     | CRANKCASE COVER,L             | 1    |
| 10       | 103208     | NUT M10                       | 1    |

Fig 21



| REF. No. | Part No. | DESCRIPTION              | Q'TY |
|----------|----------|--------------------------|------|
| 1        | 118001   | PLATE, IDLER GEAR        | 1    |
| 2        | 118002   | IDLER GEAR               | 1    |
| 3        | 118003   | SHAFT, IDLER GEAR        | 1    |
| 4        | 118004   | SHAFT SLEEVE, IDLER GEAR | 1    |

Fig 22



| REF. No. | Part No. | DESCRIPTION                  | Q'TY |
|----------|----------|------------------------------|------|
| 1        | 121001   | GB5783 M6X25                 | 4    |
| 2        | 121002   | CARBURETOR TUBE #67          | 1    |
| 3        | 121003   | PAPER WASHER,CARBURETOR TUBE | 1    |
| 4        | 121004   | BAKELITE MAT,CARBURETOR TUBE | 1    |
| 5        | 121005   | O-RING,BAKELITE MAT          | 1    |

Fig 23

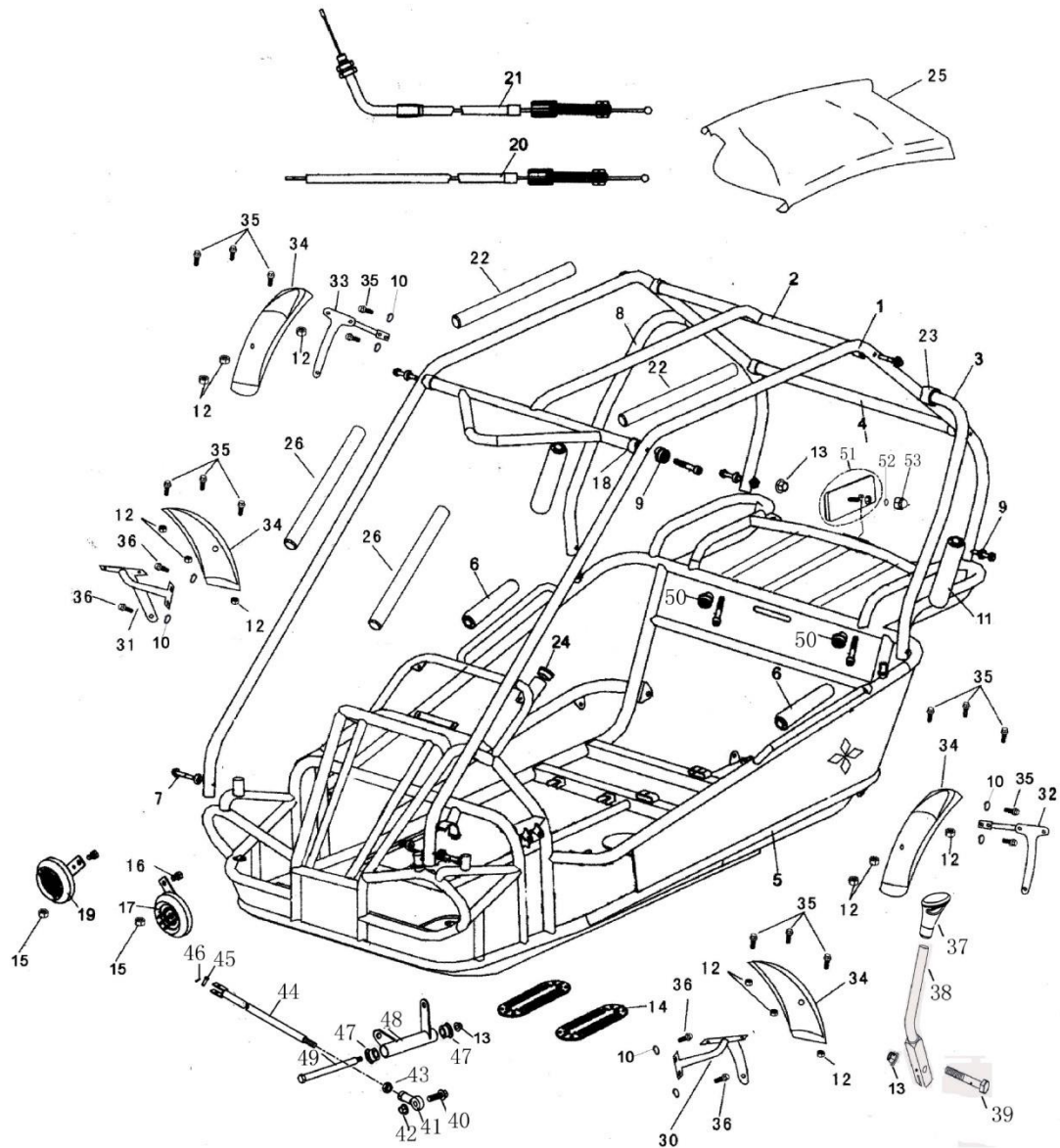


| REF. No. | Part No. | DESCRIPTION   | Q'TY |
|----------|----------|---------------|------|
| 1        | 121006   | GB5787 M6X252 | 2    |
| 2        | 121007   | REAR COVER,L  | 1    |



Fig 24

FRAME GROUP

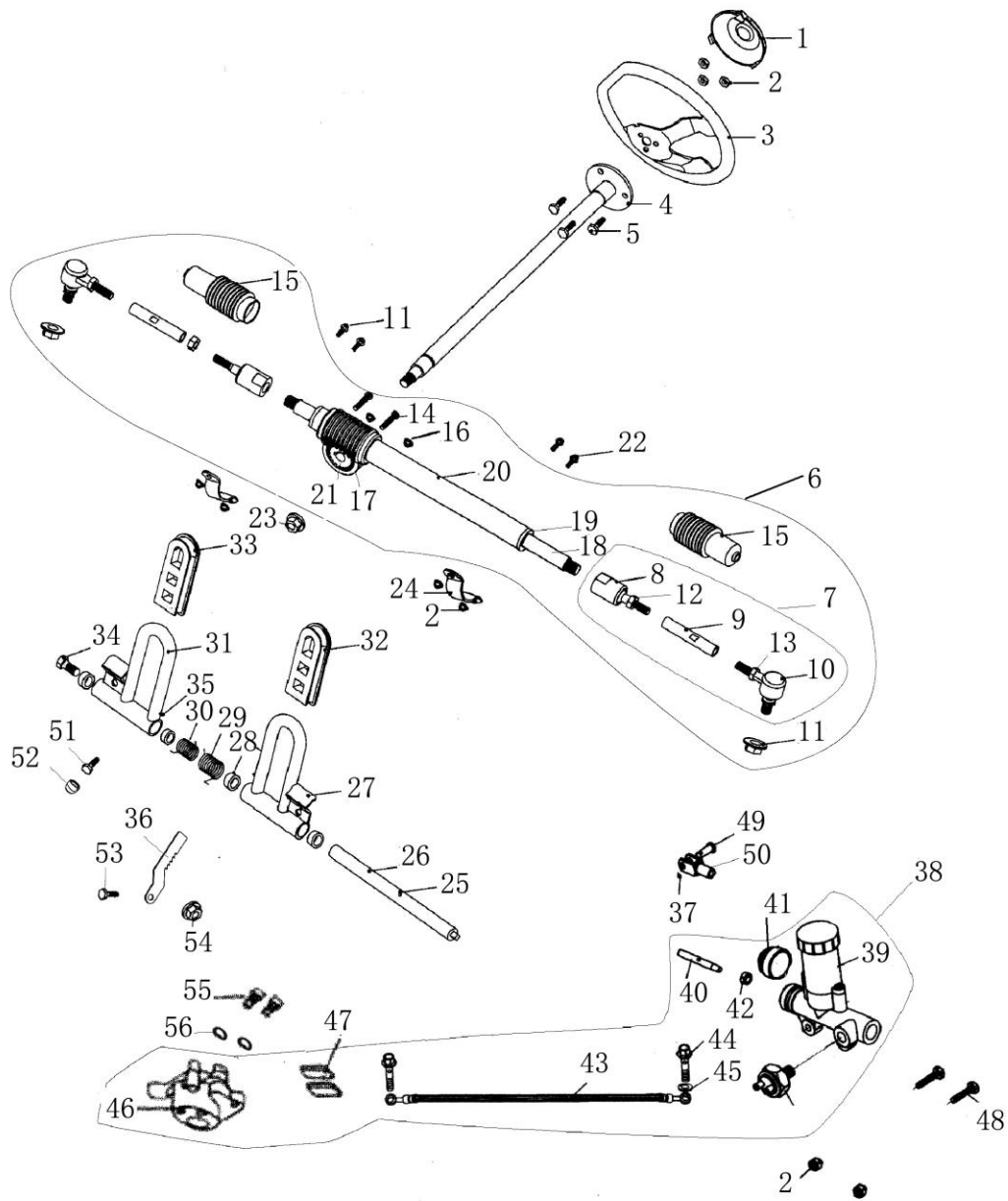


| REF. No. | Part No.     | DESCRIPTION                         | Q'TY |
|----------|--------------|-------------------------------------|------|
| 1        | 8.070.054    | C.B.C.BARCAGE.(R.S.B)               | 2    |
| 2        | 6.060.300    | C.B.C.CUSTOM CROSS BARTOP.FR(R.S.B) | 1    |
| 3        | 8.070.055    | C.B.C.CUSTOM J-BAR.LSIDE(R.S.B)     | 1    |
| 4        | 8.080.078    | C.B.C.CUSTOM CROSS BARTOP.RR(R.S.B) | 1    |
| 5        | 57100-110G   | FRAME COMP.(R.S.B)                  | 1    |
| 6        | 6.000.189    | FOAM RADDING-1                      | 2    |
| 7        | GB5787 M8X50 | BOLT M8x1.25x50                     | 14   |
| 8        | 8.070.056    | C.B.C.CUSTOM J-BAR.RSIDE(R.S.B)     | 1    |
| 9        | 8.010.047    | R- WASHER                           | 20   |

|    |                   |                         |    |
|----|-------------------|-------------------------|----|
| 10 | GB93 φ6           | SPRING WASHER φ6        | 8  |
| 11 | 6.100.319         | FOAM RADDING-4          | 2  |
| 12 | GB6177 M6         | NUT M6                  | 12 |
| 13 | GB6187 M8         | NUT M8                  | 8  |
| 14 | 7.020.045         | RUBBER FOOLPLAIE        | 4  |
| 15 | GB6170 M8         | NUT M8                  | 2  |
| 16 | GB5789 M8X16      | BOLT M8x1.25x16         | 2  |
| 17 | 6.000.136         | HORN.L                  | 1  |
| 18 | 7.010.017         | TUBE SEAT 25            | 6  |
| 19 | 6.000.135         | HORN.H                  | 1  |
| 20 | 60120-110G        | THROTTLE CABLE COMP.    | 1  |
| 21 | 60110-110G        | CHOKE CABLE COMP.       | 1  |
| 22 | 6.000.319         | FOAM RADDING-2          | 2  |
| 23 | 7.110.018         | TUBE SEAT 28            | 2  |
| 24 | 7.010.006         | STEERINGSHAFT BUSH      | 1  |
| 25 | 6.000.320         | BIKINI TOP              | 1  |
| 26 | 7.020.111         | FOAM PADDING-3          | 2  |
| 30 | 6.131.172         | FRONT FENDER BRACKET,L  | 1  |
| 31 | 6.130.172         | FRONT FENDER BRACKET,R  | 1  |
| 32 | 6.132.172         | REAR FENDER BRACKET.L   | 1  |
| 33 | 6.133.172         | REAR FENDER BRACKET,R   | 1  |
| 34 | 6.001.074         | FENDER                  | 4  |
| 35 | GB5789 M6X16      | BLOT M6X16              | 12 |
| 36 | GB5789 M6X14      | BLOT M6X14              | 8  |
| 37 | 4.100.034         | HANGLE,GEAR LEVER       | 1  |
| 38 | 40001-110G        | GEAR LEVER              | 1  |
| 39 | GB5789-M8X30      | BOLT M8X30              | 1  |
| 40 | GB5789            | BOLT M10X1.25X40        | 1  |
| 41 | 6.000.235         | KNUCKLE BEARING,R       | 1  |
| 42 | GB6187 M10X1.25   | NUT M10X1.25            | 1  |
| 43 | GB6170 M10*1.5    | NUT M10X1.5             | 1  |
| 44 | 58110-110G        | REVERSE ROD             | 1  |
| 45 | 9.700.518         | ROUND PINφ5X18          | 1  |
| 46 | 9.500.130         | COTTER PINφ1.5X30       | 1  |
| 47 | 7.010.003         | BUSHING,PLASTIC         | 2  |
| 48 | 52310-110G        | REVERSE ARM             | 1  |
| 49 | 9.708.145         | FLANGE BOLT M8x1.25x145 | 1  |
| 51 | 6.300.111         | REFLECTOR               | 1  |
| 52 | GB97              | FLAT WASHERφ5           | 1  |
| 53 | 61700500000010005 | NUT M5                  | 1  |

Fig 25

STEERING SHAFT ASSY



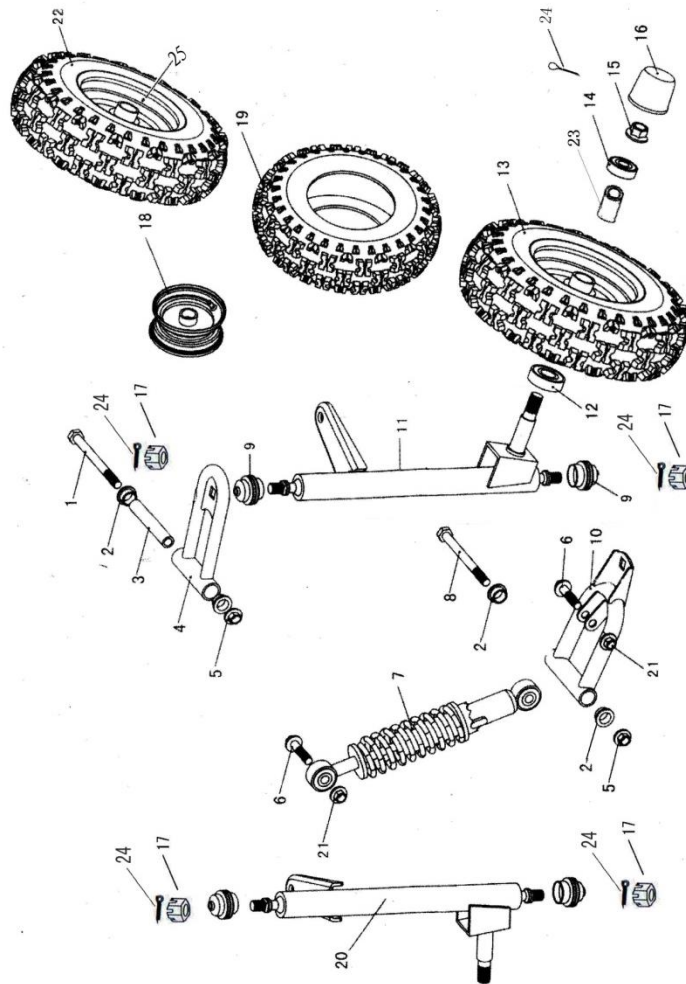
| REF. No. | Part No.     | DESCRIPTION         | Q'TY |
|----------|--------------|---------------------|------|
| 1        | 7.010.056    | STEERING BOLT COVER | 1    |
| 2        | GB6187 M6    | LOCKING NUT M6      | 9    |
| 3        | 7.020.057    | STEERING WHEEL      | 1    |
| 4        | 2.000.056    | STEERING-SHAFT      | 1    |
| 5        | GB5783 M6X16 | BOLT M6 x16         | 3    |
| 6        | 40100-80G    | STEERING ASSY.      | 1    |
| 7        | 8.000.002    | TIE ROD ASSY        | 2    |

|    |                |                                |   |
|----|----------------|--------------------------------|---|
| 8  | 6.000.180      | STEERING BALL JOINT            | 2 |
| 9  | 8.010.135      | TIE ROD                        | 2 |
| 10 | 6.000.181      | ROD END                        | 2 |
| 11 | GB6187 M8      | NUT M8                         | 2 |
| 12 | GB6170 M8      | NUT M8                         | 2 |
| 13 | GB6170 M8(L)   | NUT M8(L)                      | 2 |
| 14 | GB818 M5X14    | BOLT M5 x14                    | 2 |
| 15 | 7.020.059      | STEERING BALL JOINT DUST COVER | 2 |
| 16 | GB97 $\phi$ 5  | FLAT WASHER $\phi$ 5           | 2 |
| 17 | 4.010.001      | CONNECTING DEVICE              | 1 |
| 18 | 8.010.075      | GEAR AXLE                      | 1 |
| 19 | 7.010.007      | STEERING GEAR BUSH             | 2 |
| 20 | 8.010.079      | CONNECTING PIPE                | 1 |
| 21 | 8.010.131A-50A | STEERING GEAR                  | 1 |
| 22 | GB5787 M6X20   | BOLT M6 x20                    | 4 |
| 23 | 9.820.010      | LOCKING NYLON NUT M10*1.25     | 1 |
| 24 | 8.020.130      | STEERING GEAR BRACKET(R.S.B)   | 2 |
| 25 | 9.500.008      | ROLL PIN $\phi$ 3 x 20         | 1 |
| 26 | 8.010.123      | PEDAL BOLT                     | 1 |
| 27 | 4.000.044      | BRAKE PEDAL COMP.              | 1 |
| 28 | 7.010.003      | PEDAL BUSH                     | 4 |
| 29 | 8.040.011      | BRAKE PEDAL RETURN SPRING,R    | 1 |
| 30 | 8.040.010      | THROTTLE PEDAL RETURN SPRING,L | 1 |
| 31 | 9.500.218      | THROTTLE PEDAL COMP            | 1 |
| 32 | 7.020.043      | BRAKE PEDAL PAD                | 1 |
| 33 | 7.020.044      | THROTTLE PEDAL PAD             | 1 |
| 34 | GB70 M8X12     | BLOT M8X12                     | 1 |
| 35 | 9.500.007      | ROLL PIN $\phi$ 3 x 16         | 2 |
| 36 | 8.020.209      | STOPPING PLATE                 | 1 |
| 37 | 9.500.130      | COTTER PIN $\phi$ 1.5x 30      | 1 |
| 38 | 6.000.000      | HYDRAULIC BRAKE ASSEMBLY       | 1 |
| 39 | 6.000.305      | MASTER CYLIND ER               | 1 |
| 40 | 6.000.306      | CYIINDER ROD                   | 1 |
| 41 | 7.020.076      | DUST COVER                     | 1 |
| 42 | GB6170 M6      | NUT M6                         | 1 |
| 43 | 6.000.010      | BRAKE HOSE ASSY                | 1 |
| 44 | 9.700.004      | BOLT M10X24                    | 2 |
| 45 | 9.300.010      | WASHER $\phi$ 10               | 4 |
| 46 | 6.000.028      | RR. CALIPER ASSY.              | 1 |
| 47 | 7.020.016      | RR. BRAKE PAD SET              | 2 |
| 48 | GB5789 M6X25   | BOLT M6X25                     | 2 |
| 49 | 9.700.628      | LOCKING ROLL PIN               | 1 |

|    |               |                        |   |
|----|---------------|------------------------|---|
| 50 | 8.020.224     | CYIINDER ROD BRACKET   | 1 |
| 51 | GB5782 M8X65  | BOLT M8X65             | 1 |
| 52 | 7.010.022     | RUBBER FOOT PEDAL STOP | 1 |
| 53 | GB5783 M8X18  | BOLT M8X18             | 1 |
| 54 | GB6170 M8     | NUT M8                 | 1 |
| 55 | GB70 M8X12    | BOLT M8X12             | 2 |
| 56 | GB93 $\phi$ 8 | SPRING WASHER $\phi$ 8 | 2 |
| 57 | GB97 $\phi$ 8 | WASHER $\phi$ 8        | 1 |

Fig 26

# SUSPENSION ARM ASSY

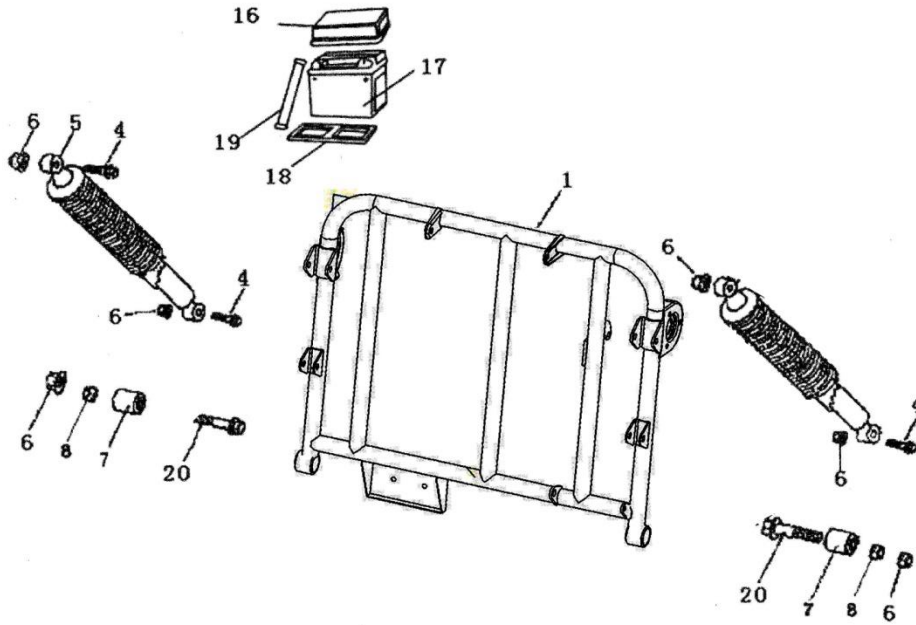


| REF. No. | Part No.        | DESCRIPTION                  | Q'TY |
|----------|-----------------|------------------------------|------|
| 1        | GB5789 M8 x 105 | FLANGE BOLOT M8 x 1.25 x 105 | 2    |
| 2        | 7.010.003       | UPPER SUSPENSION ARM BUSH    | 8    |
| 3        | 8.010.015       | UPPER SUSPENSION ARM COLLAR  | 2    |
| 4        | 4.000.047       | UPPER SUSPENSION ARM         | 2    |
| 5        | GB6187 M8       | LOCKING FLANGE UNT.M8        | 4    |
| 6        | GB5787 M10 x 40 | FLANGE BOLT M10 x 40x1.25    | 4    |
| 7        | 6.100.325       | CUSHION ASS Y.FR             | 2    |
| 8        | 9.708.145       | FLANGE BOLT M8x1.25x145      | 2    |
| 9        | 7.020.061       | BALL HEAD DUST SEAL          | 4    |
| 10       | 4.000.041       | LOWER SUSPENSION ARM ASS Y   | 2    |
| 11       | 2.000.055       | SPINDLE AND STRUT SUPPORT,R  | 1    |
| 12       | 6202-2RS        | BEARING 6202                 | 2    |
| 13       | 6.000.309       | FRONT WHEEL ASS Y.L.         | 1    |

|    |                 |  |   |
|----|-----------------|--|---|
| 14 | 6201-2RS        | BEARING 6201                                 | 2 |
| 15 | GB9457 M12*1.25 | GB9457 NUT M12*1.25                          | 2 |
| 16 | 7.020.039       | HUB COVER FR                                 | 2 |
| 17 | GB9457 M10*1.25 | GB9457 NUT M10*1.25                          | 4 |
| 18 | 6.100.310       | RIM,FR                                       | 2 |
| 19 | 6.100.311       | TIRE,FR 16X6-8                               | 2 |
| 20 | 2.000.057       | SPINDLE AND STRUT SUPPORT,L                  | 1 |
| 21 | GB6187 M10      | LOCKING FLANGE M10X1.25                      | 4 |
| 22 | 6.100.321       | FRONT WHEEL ASSY.R.                          | 1 |
| 23 | 8.010.084       | FRONT WHEEL COLLAR $\phi$ 15* $\phi$ 19*24.5 | 2 |
| 24 | 9.500.230       | COTTER PIN $\phi$ 2.5X30                     | 6 |
| 25 | 7.190.018       | AIR VALVE                                    | 2 |

Fig 27

REAR SWING ARM

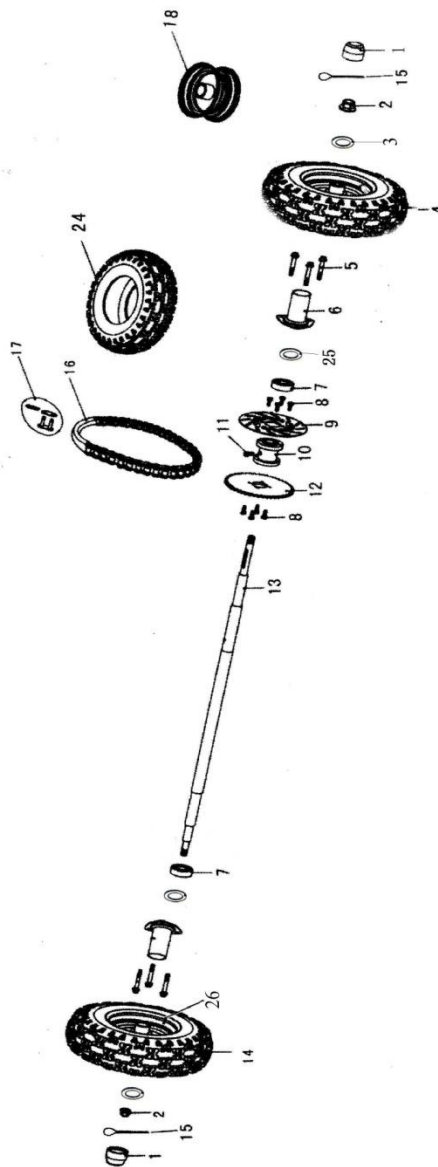


| REF. No. | Part No.      | DESCRIPTION                             | Q'TY |
|----------|---------------|---|------|
| 1        | 52100-110G    | REAR SWING ARM                          | 1    |
| 4        | GB5789 M10X40 | FLANGE LOCKING BOLT M10X1.25X40         | 4    |
| 5        | 6.000.325     | 250CUSHION ASSY. FR.                    | 2    |
| 6        | GB6187 M10    | LOCKING NUT M10X1.25                    | 6    |
| 7        | 7.020.077     | BUSHING, SWING ARM ISOLATOR 10*30*30/35 | 2    |
| 8        | GB6170 M10    | NUT M10X1.25                            | 2    |
| 16       | 7.010.028     | BATTERY COVER                           | 1    |
| 17       | 6.000.085     | BATTERY 12V 6.5AH                       | 1    |
| 18       | 7.020.020     | LOWER BATTERY CUSHION                   | 1    |
| 19       | 7.020.023     | BATTERY STRAP                           | 1    |
| 20       | GB5789 M10X68 | FLANGE LOCKING M10X1.25X68              | 2    |



Fig 28

REAR HOUSING

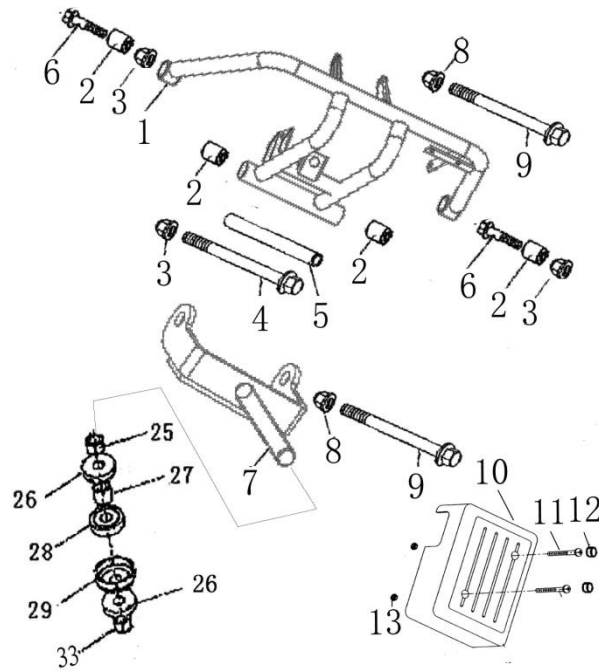


| REF. No. | Part No.       | DESCRIPTION        | Q'TY |
|----------|----------------|--------------------|------|
| 1        | 7.020.039      | HUB COVER,RR       | 2    |
| 2        | GB9457 M16*1.5 | CASTLE NUT M16*1.5 | 2    |
| 3        | GB96 φ16       | WASHER Φ16         | 2    |
| 4        | 6.000.315      | REAR WHEEL ASSY R. | 1    |
| 5        | GB5789 M8X16   | FLANGE BOLT M8 x16 | 6    |
| 6        | 6.000.196      | AXLE COVER         | 2    |
| 7        | 6005-2RS       | BEARING,6005       | 2    |

|    |                |                         |   |
|----|----------------|-------------------------|---|
| 8  | GB70 M8X20     | FLANGE BOLT M8x20       | 8 |
| 9  | 8.010.201      | DISC BRAKE,RR           | 1 |
| 10 | 8.010.202      | REAR AXLE HUB           | 1 |
| 11 | 9.110.025      | BOLT M10x1.25x25        | 1 |
| 12 | 5400600050L000 | REAR SPROCKET           | 1 |
| 13 | 8.010.199      | REAR AXLE               | 1 |
| 14 | 6.000.316      | REAR WHEEL ASS Y.L      | 1 |
| 15 | 9.500.330      | COTTER PIN 3x40         | 2 |
| 16 | 420-58         | DRIVE CHAIN             | 1 |
| 17 | 420-10         | MASTER LINK             | 1 |
| 18 | 6.100.333      | RIM,RR                  | 2 |
| 24 | 7.020.078      | REAR TIRE 16x7-8        | 2 |
| 25 | 7.090.001      | WASHER $\Phi$ 45X35.5X2 | 2 |
| 26 | 7.190.018      | AIR VALVE               | 2 |

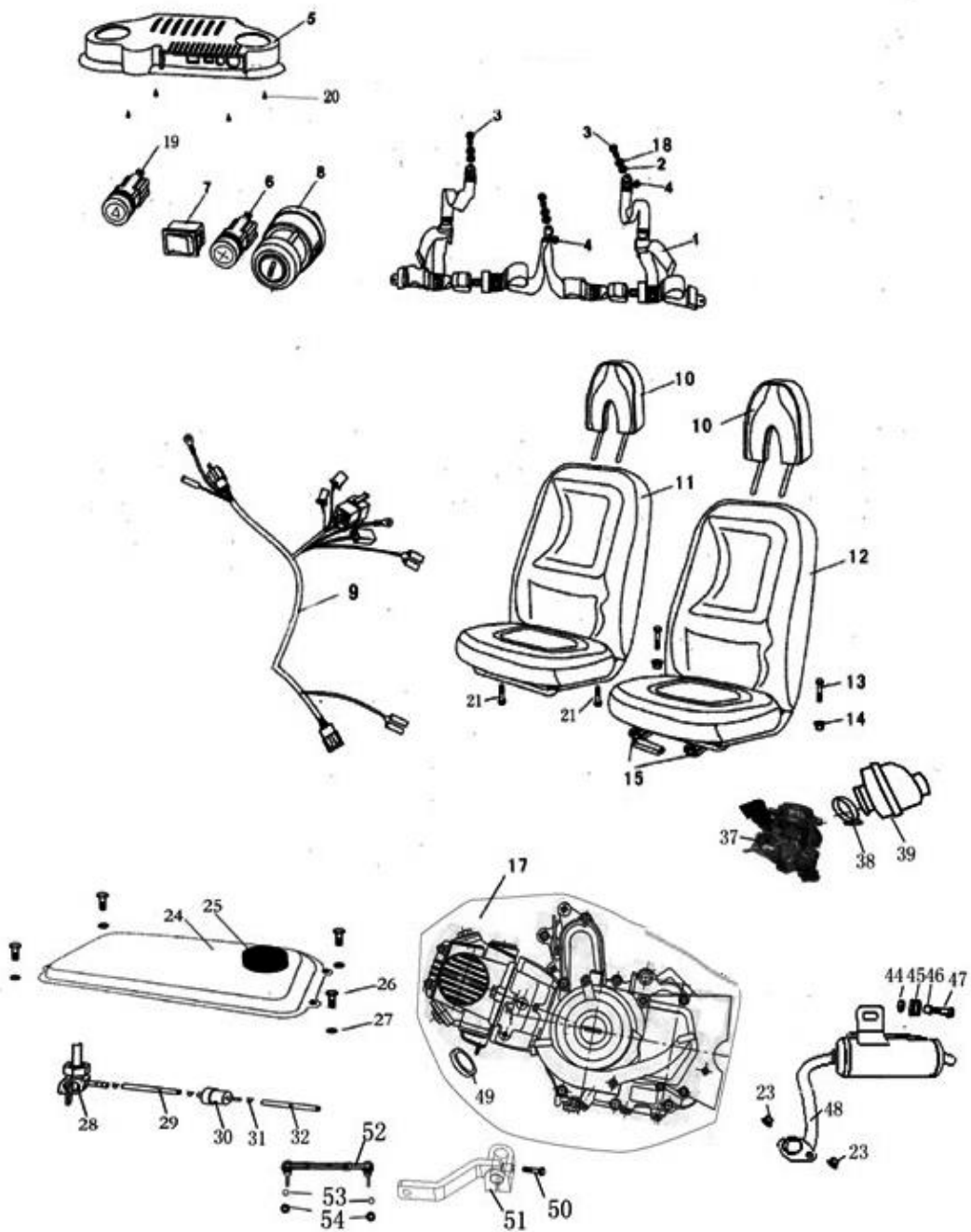
Fig 29

CLUTCH ASSY.



| REF. No. | Part No.       | DESCRIPTION                                    | Q'TY |
|----------|----------------|--|------|
| 1        | 52200-110G     | ENGINE MOUNTING PLATE-METALLIC                 | 1    |
| 2        | 7.020.077      | BUSHING, SWING ARM ISOLATOR<br>10*30*30/35     | 4    |
| 3        | GB6187 M10     | NUT M10X1.25                                   | 3    |
| 4        | GB5789 M10X240 | FLANGE BOLT M10 x1.25x240                      | 1    |
| 5        | 5210100110G000 | COLLAR,HANGING BRACKET                         | 1    |
| 6        | GB5789 M10X55  | FLANGE BOLT M10 x1.25x55                       | 2    |
| 7        | 10110-110G     | BUSHING-CHAIN ADJUSTER                         | 1    |
| 8        | GB6187 M8      | NUT M8   | 2    |
| 9        | GB5789 M8X115  | FLANGE BOLT M8x115                             | 2    |
| 10       | 7.010.029      | ELECTRIC ASSY. COVER                           | 1    |
| 11       | GB818          | PAN SCREW M6x60                                | 2    |
|          |                |  |      |
| 13       | GB6177         | NUT M6   | 2    |
| 25       | GB6170 M12     | NUT M12X1.25                                   | 1    |
| 26       | 8.010.042      | WASHER-CHAIN ADJUSTER( $\phi$ 12X $\phi$ 35X6) | 2    |
| 27       | 8.010.041      | BUSHING-CHAIN ADJUSTER                         | 1    |
| 28       | 7.020.001      | CAP WASHER-CHAIN ADJUSTER                      | 1    |
| 29       | 8.020.045      | BOTTOM CAP WASHER-CHAIN ADJUSTER               | 1    |
| 33       | GB6187 M12     | NUT M12X1.25                                   | 1    |
|          |                |  |      |

Fig 30 WIRE HARNESS, ELECTRICAL/SEAT/ENGINE



| REF. No. | Part No.  | DESCRIPTION        | Q'TY |
|----------|-----------|--------------------|------|
| 1        | 6.000.328 | SAFETY BELT        | 1    |
| 5        | 7.010.076 | SWITCH PANEL COVER | 1    |
| 6        | 6.000.164 | ENGINE STOP BUTTON | 1    |

|    |                 |                        |   |
|----|-----------------|------------------------|---|
| 7  | 6.000.133       | HORN BUTTON            | 1 |
| 8  | 6.000.165       | POWER ON SWITCH        | 1 |
| 9  | 8002500110G000  | WIRE HARNESS           | 1 |
| 10 | 6.000.329       | HEAD-REST              | 2 |
| 11 | 6.000.330       | SEAT COMP.R            | 1 |
| 12 | 6.000.331       | SEAT COMP.L            | 1 |
| 13 | 9.910.841       | BOLT STRAP M8X1.25X45  | 2 |
| 14 | GB6177 M8       | FLANGE NUT M8          | 2 |
| 17 | Engine-110      | ENGINE COMP.           | 1 |
| 18 | 7.060.022       | LOCKING WASHER         | 3 |
| 19 | 6.000.200       | ELETRIC STARTER BUTTON | 1 |
| 20 | GB2823 ST4.2X13 | BOLT ST4.2X13          | 4 |
| 21 | GB5787          | BOLT STRAP M8X1.25X40  | 2 |
| 22 | GB5789          | bolt M6X16             | 4 |
| 23 | GB6187          | NUT M6                 | 4 |
| 24 | 50110-110G      | FUEL TANK COMP         | 1 |
| 25 | 50130-110G      | FUEL FILLER CAP COMP   | 1 |
| 26 | GB70            | bolt M8*16             | 4 |
| 27 | GB6187          | 110 Gas tank nut       | 4 |
| 28 | 6.000.166       | FUEL COCK ASS'Y        | 1 |
| 29 | 7.020.029       | FUEL TUBE, #2          | 1 |
| 30 | 6.000.056       | FILTER                 | 1 |
| 31 | 8.040.009       | FUEL TUBE CLIP         | 4 |
| 32 | 7.020.030       | FUEL TUBE, #1          | 2 |
| 37 | PZ19000110G000  | PZ19 CARBURETOR        | 1 |
| 38 | 49010-110G      | AIR CLEANER CLIP       | 1 |
| 39 | 49100-110G      | AIR CLEANER            | 1 |
| 44 | GB6187          | NUT M8                 | 1 |
| 45 | 7.020.005       | BUSHING, RUBBER        | 1 |
| 46 | 8.010.034       | TANK COLLAR            | 1 |
| 47 | GB5787          | BOLTM8x40              | 1 |
| 48 | 47100-110G      | MUFFLER COMP.          | 1 |
| 49 | 47001-110G      | BUSHING,MUFFLER        | 1 |
| 50 | GB5789          | BOLT M6x30             | 1 |
| 51 | 40010-110G      | SHIFTER                | 1 |
| 52 | 60010-110G      | SHIFTER MOUNTING ROD A | 1 |
| 53 | 930006000000    | WASHER 6               | 0 |
| 54 | 617706000100    | JAM NUT M6             | 2 |
| 60 | 80022-110G      | DIGITAL DISPLAY, GEAR  | 1 |

Fig 31

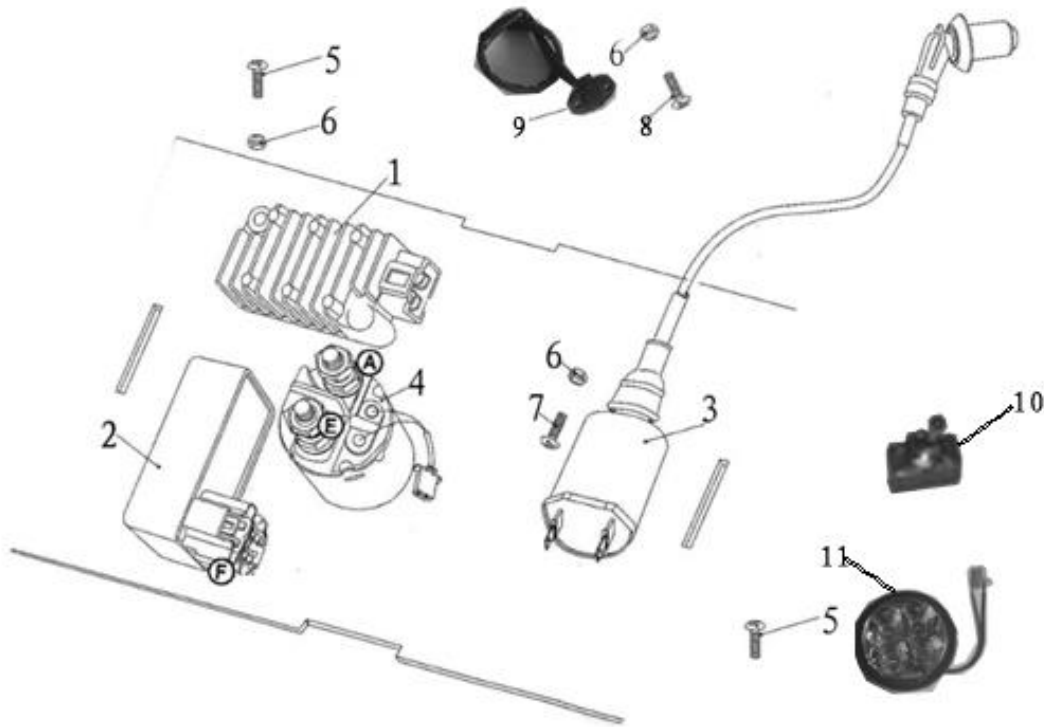
WARNING STICKERS ASSY.



| REF. No. | Part No.   | DESCRIPTION             | Q'TY |
|----------|------------|-------------------------|------|
| 1        | 14-1201-00 | LABEL SEAT BELT         | 1    |
| 2        | 14-1202-00 | LABEL NO CLIMBING       | 1    |
| 3        | 14-1203-00 | LABEL WARNING OPERATION | 1    |
| 4        | 14-1204-00 | LABEL CHAIN GUARD       | 1    |
| 5        | 14-1205-00 | LABEL NO LONG HAIR      | 1    |
| 6        | 14-1206-80 | LABEL AGE               | 1    |

Fig 32

Electric ASSY.



| REF. No. | Part No.       | DESCRIPTION        | Q'TY |
|----------|----------------|--------------------|------|
| 1        | 8002400110G000 | Regulator          | 1    |
| 2        | 8001600110G000 | C.D.I              | 1    |
| 3        | 8001800110G000 | Ignition Coil      | 1    |
| 4        | 8001700110G000 | Starting relay     | 1    |
| 5        | GB5789 M6*16   | BOLT M6*16         | 3    |
| 6        | GB6187 M6      | NUT M6             | 5    |
| 7        | GB5789 M6*20   | BOLT M6*20         | 2    |
| 8        | GB5787M6*20    | BOLT M6*20         | 2    |
| 9        | 8002200110G000 | Shifting Indicator | 1    |
| 10       | 8120000080GA00 | On/off switch      | 1    |
| 11       | 8110000050GB01 | LED light          | 2    |