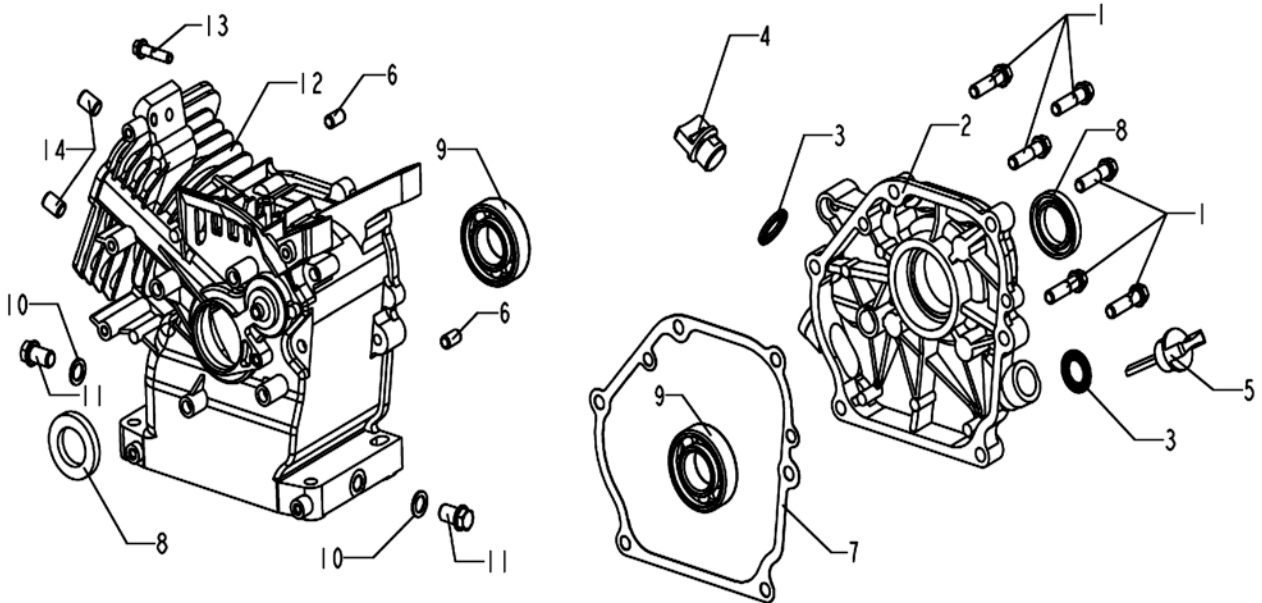


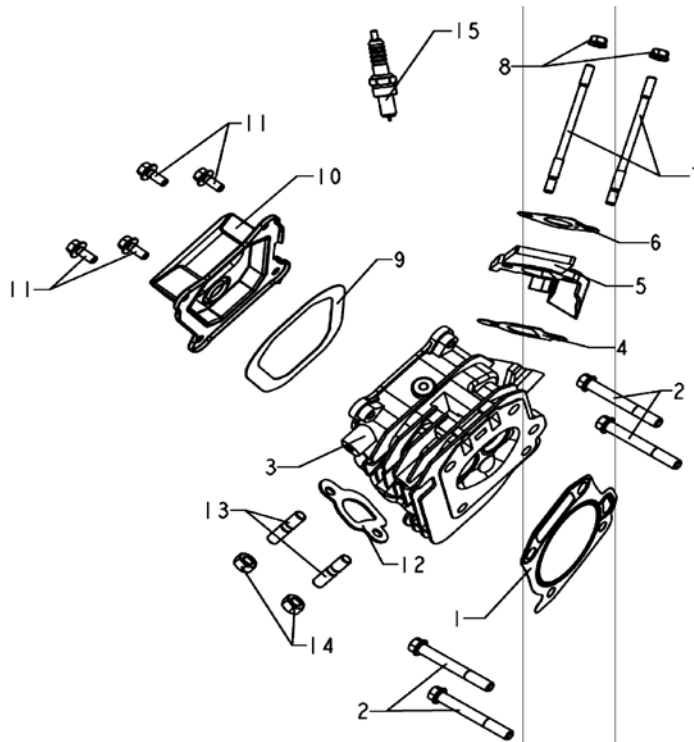


***TrailMaster* Go-Kart**
MID XRX
PARTS MANUAL

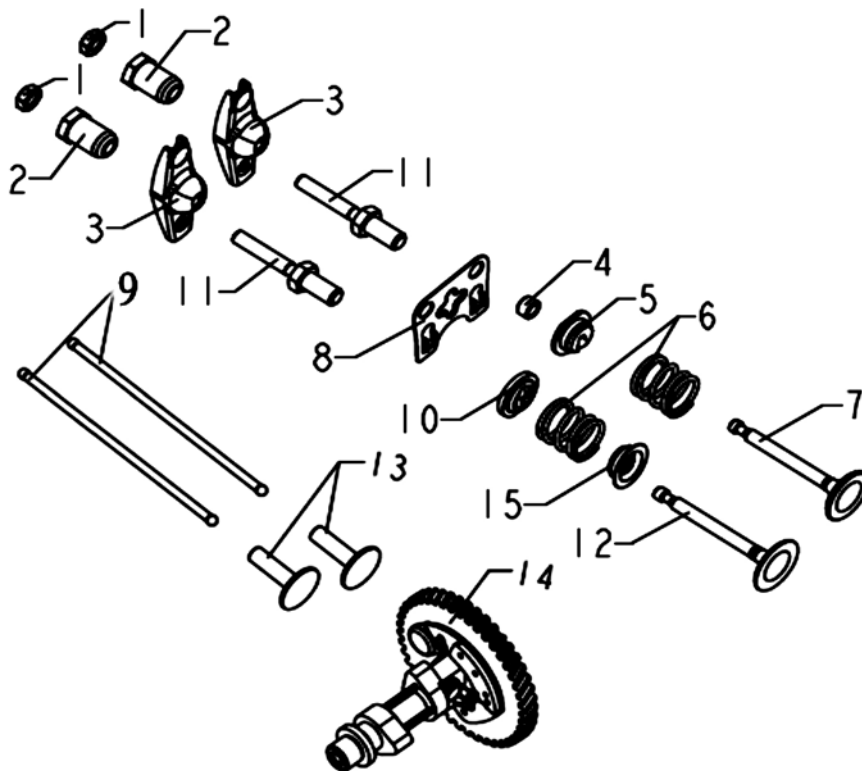


CRANKCASE ASSY

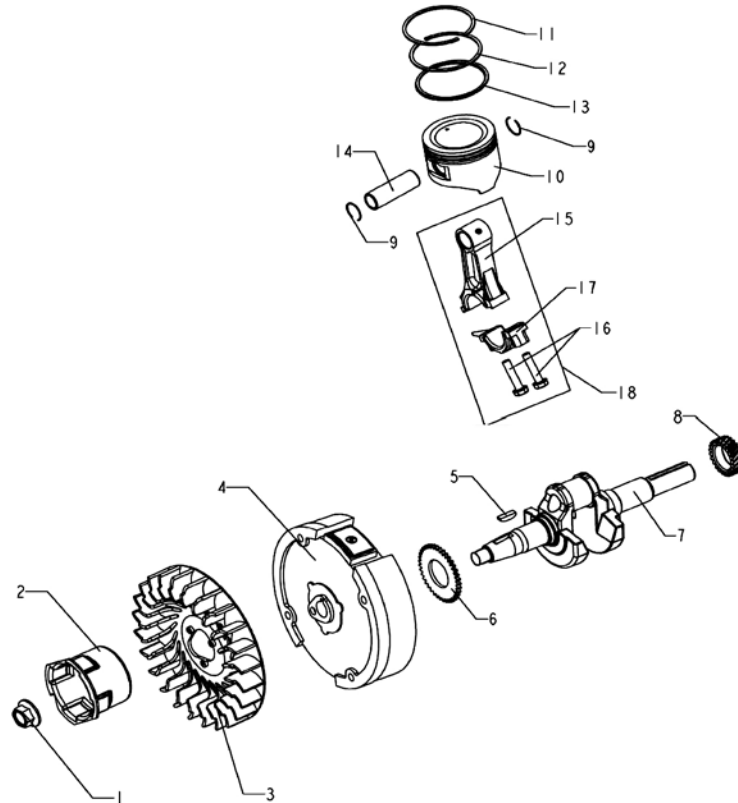
| REF NO . | PART NO . | DESCRIPTION | REGD NO . |
|----------|-------------------|-------------------------|-----------|
| 1 | GB/T5787-1986 | Bolt M8X30 | 6 |
| 2 | QJ168QDJ.01-01 | Cover, Crankcase | 1 |
| 3 | JF142F.8-5 | Waasher, Seal | 2 |
| 4 | QJ168QDJ.01-04 | Guage, Engine Oil | 2 |
| 5 | QJ168QDJ.01-03 | Cover, Supply Oil Mouth | 1 |
| 6 | 157.3-8 | Guide, Dowel (8x14) | 2 |
| 7 | QJ168QDJ.01-02 | Spacer, Crankcase | 1 |
| 8 | QJ168QDJ.01.01 | Oilseal Assy 25X41.25X6 | 2 |
| 9 | GB/T276-1994 | Bearing 6025/P53 | 2 |
| 10 | QJ166QDK.01-07 | Spacer, Drain Plug | 2 |
| 11 | QJ166QDK.01-06 | Drain Plug | 2 |
| 12 | JF168FLH-16.01.01 | Crankcase Assy | 1 |
| 13 | GB/T5789-1986 | Bolt M6X30 | 1 |
| 14 | 157.4-6 | Guide, Dowel (10x14) | 2 |



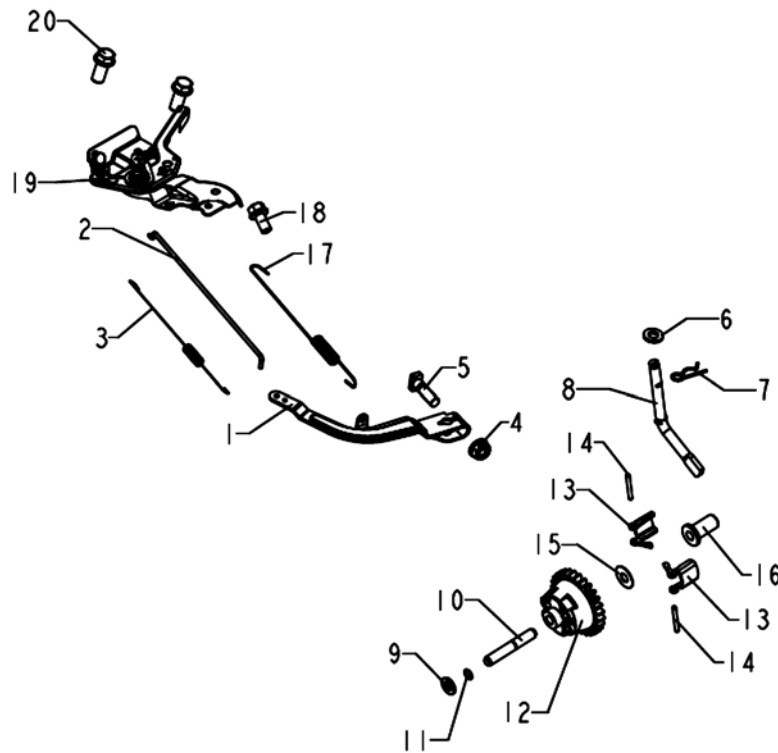
| CYLINDER HEAD ASSY | | | | |
|--------------------|----------------|---------------------------|-----------|--|
| REF NO . | PART NO . | DESCRIPTION | REGD NO . | |
| 1 | QJ168QDL.02-01 | Spacer Assy,Cylinder Head | 1 | |
| 2 | GB/T5787-1986 | M8X660Bolt,Cylinder Head | 4 | |
| 3 | QJ168QDL.02.01 | Cylinder Head | 1 | |
| 4 | QJ168QDJ.02-04 | Spacer 1 | 1 | |
| 5 | QJ168QDJ.02-02 | Mattress,Heat Insulating | 1 | |
| 6 | QJ168QDJ.02-05 | Spacer 2 | 1 | |
| 7 | QJ168QDJ.02-03 | Bolt,Intake Pipe | 2 | |
| 8 | GB/T6177-2000 | Nut M6 | 2 | |
| 9 | QJ168QDJ.02-06 | Spacer,Seal | 1 | |
| 10 | QJ168QDJ.02.03 | Clipboard | 1 | |
| 11 | GB/T5789-1986 | Bolt M6X14 | 4 | |
| 12 | QJ168QDJ.02-01 | Spacer,Exhaust Pipe | 1 | |
| 13 | QJ168QDJ.02-07 | Bolt,Exhaust Pipe | 2 | |
| 14 | GB/T6170-2000 | Nut M8 | 2 | |
| 15 | QJ1E50FMG.1.2 | (F7RTC) Spark Plug | 1 | |
| | | | | |
| | | | | |
| | | | | |



| INTAKE EXHAUST MECHANISM ASSY | | | | |
|-------------------------------|----------------|------------------------------------|-----------|--|
| REF NO . | PART NO . | DESCRIPTION | REGD NO . | |
| 1 | QJ166QDK.03-11 | Adjusting Nut,Valve Clearance | 2 | |
| 2 | QJ182QDP.03-07 | Buttonhead,Arm | 2 | |
| 3 | QJ168QDJ.03-09 | Arm | 2 | |
| 4 | J168QDJ.03-02 | Cap,Exhaust Door Rod | 1 | |
| 5 | QJ168QDJ.03-10 | Upper Retainer,Exhaust Door Spring | 1 | |
| 6 | QJ168QDJ.03-07 | Spring,Valve | 2 | |
| 7 | QJ168QDJ.03-05 | Valve,Exhaust | 1 | |
| 8 | QJ168QDJ.03.04 | Guide Plate,Connecting Stud | 1 | |
| 9 | QJ168QDJ.03.02 | Rod,Connecting | 2 | |
| 10 | QJ168QDJ.03-08 | Upper Retainer,Intake Door Spring | 1 | |
| 11 | QJ182QDP.03-04 | Adjusting Stud,Valve Clearance | 2 | |
| 12 | QJ168QDJ.03-06 | Valve,Intake | 1 | |
| 13 | QJ168QDL.03-01 | Stud,Connecting | 2 | |
| 14 | QJ168QDL.03.01 | Camshaft | 1 | |
| 15 | QJ168QDJ.03.03 | Oilseal,Valve | 1 | |
| | | | | |
| | | | | |

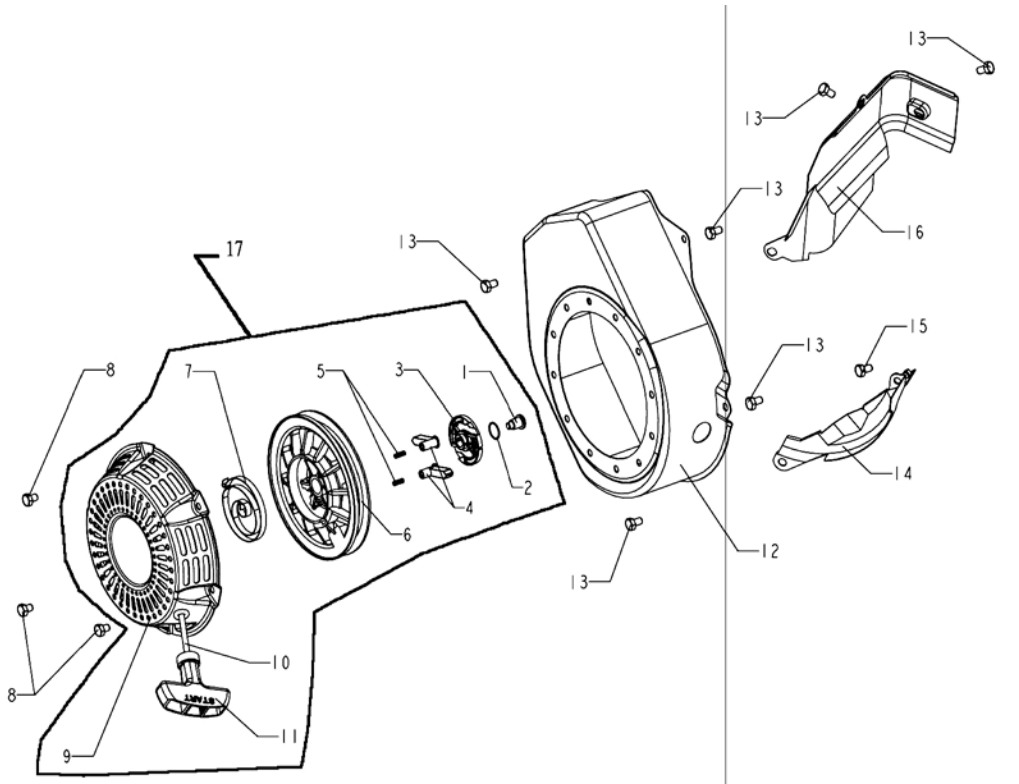


| BRANCE FLYING WHEEL | | | | |
|---------------------|-------------------|-------------------------|-----------|--|
| REF NO . | PART NO . | DESCRIPTION | REGD NO . | |
| 1 | QJ168QDJ.04-06 | Nut, Clamp | 1 | |
| 2 | QJ168QDJ.04-10 | Ratchet Wheel | 1 | |
| 3 | QJ168QDJ.04-11 | Fan | 1 | |
| 4 | JF168FJH-5.02.01 | Flying Wheel | 1 | |
| 5 | QJ182QDP.04-03 | Key | 1 | |
| 6 | QJ168QDJ.04-09 | Driven Gear, Adjusting | 1 | |
| 7 | JF168FLH-8B.04-01 | Brance | 1 | |
| 8 | QJ168QDJ.04-08 | Gear, Crankshaft Timing | 1 | |
| 9 | QJ168QDJ.04-05 | Circlip, Piston Pin | 2 | |
| 10 | QJ168QDL.04-01 | Piston | 1 | |
| 11 | QJ168QDJ.04-02 | Ring, First | 1 | |
| 12 | QJ168QDJ.04-03 | Ring, Second | 1 | |
| 13 | QJ168QDJ.04.01 | Oil Ring Assy | 1 | |
| 14 | QJ168QDJ.04-04 | Pin, piston | 1 | |
| 15 | QJ168QDJ.04.02-01 | Rod, Connecting | 1 | |
| 16 | QJ166QDK.05.02-03 | Bolt, Connecting Rod | 2 | |
| 17 | QJ168QDJ.04.02-02 | Cover, Connecting Rod | 1 | |
| 18 | QJ168QDJ.04.02 | Connecting Rod Assy | 1 | |
| | | | | |

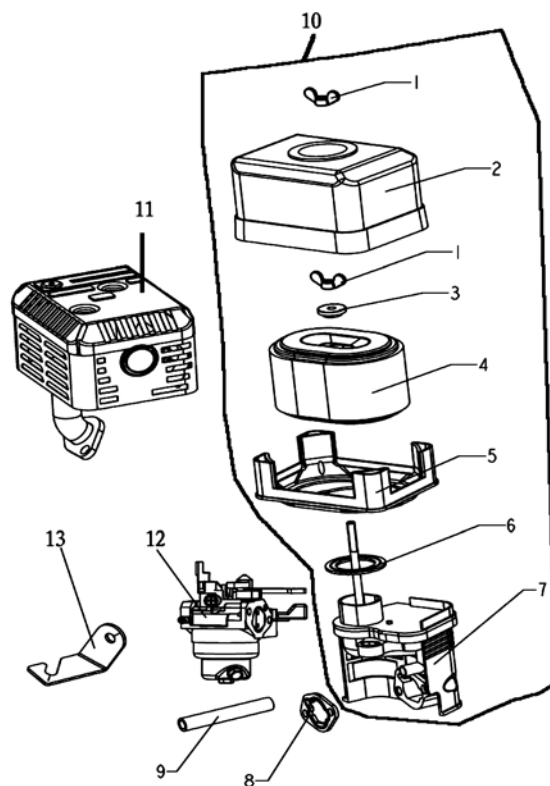


CENTRIFUGAL ADJUSTMENT ASSY

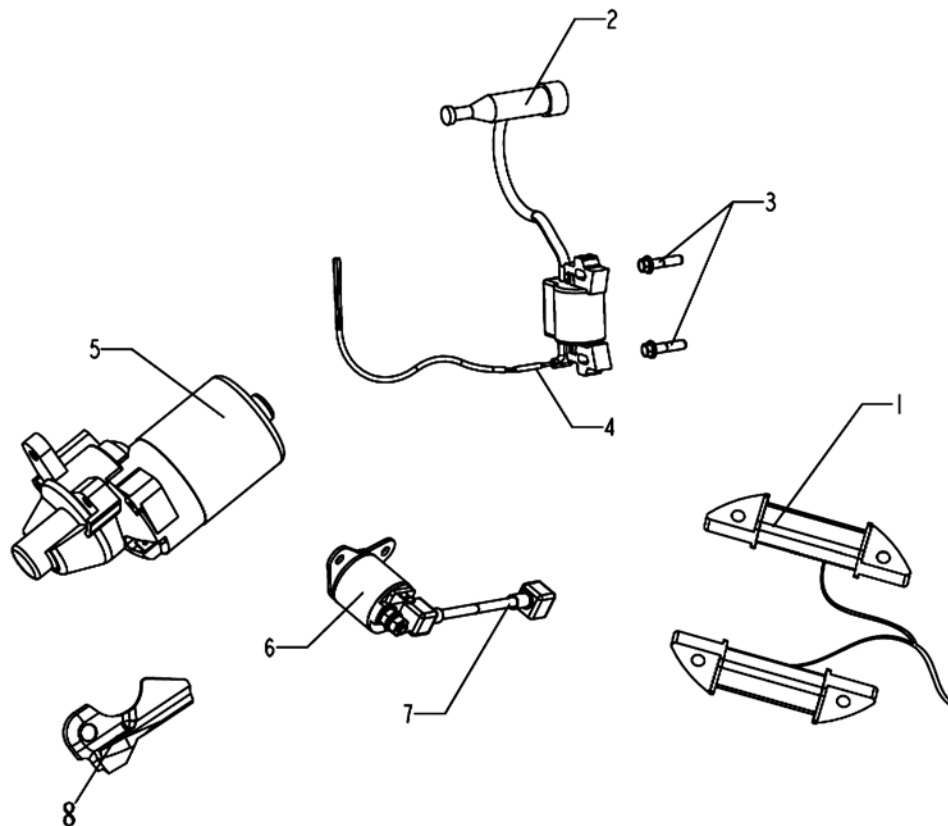
| REF NO . | PART NO . | DESCRIPTION | REGD NO . |
|----------|-------------------|------------------------|-----------|
| 1 | QJ168QDJ.05-01 | Arm | 1 |
| 2 | QJ168QDJ.05-07 | Rod Tension | 1 |
| 3 | QJ168QDJ.05-06 | Spring 2,Tension | 1 |
| 4 | GB/T6177-2000 | Nut | 1 |
| 5 | QJ182QDP.06-03 | Bolt,Square | 1 |
| 6 | QJ168QDJ.05-09 | Spacer 2 | 1 |
| 7 | QJ182QDP.06-02 | Circlip | 1 |
| 8 | QJ168QDJ.05-03 | Fork | 1 |
| 9 | QJ166QDK.06-03 | Spacer 1 | 1 |
| 10 | QJ168QDJ.05-04 | Pin | 1 |
| 11 | QJ166QDK.01-02 | Circlip | 1 |
| 12 | QJ168QDJ.05.02-01 | Adjustment,Centrifugal | 1 |
| 13 | QJ168QDJ.05.02-03 | Block,Centrifugal | 2 |
| 14 | QJ168QDJ.05.02-02 | Pin | 2 |
| 15 | QJ168QDJ.05-08 | Spacer 3 | 1 |
| 16 | QJ168QDJ.05-02 | Cover,Push Rod | 1 |
| 17 | JF168FJH-7.03-01 | Spring 1,Tension | 1 |
| 18 | GB/T5789-1986 | Bolt | 2 |
| 19 | JF168FJH-7.03.01 | Handle Assy | 1 |
| 20 | GB/T5789-1986 | Bolt | 1 |



| STARTING SETS | | | |
|---------------|---------------------|-------------------------|-----------|
| REF NO . | PART NO . | DESCRIPTION | REGD NO . |
| 1 | QJ168QDJ.06-05 | Screw | 1 |
| 2 | QJ168QDJ.06-06 | Circlip | 1 |
| 3 | QJ168QDJ.06-04 | Plate Guide | 1 |
| 4 | QJ168QDJ.06-01 | Block Clutch | 2 |
| 5 | QJ168QDJ.06-02 | Spring,Pressure | 2 |
| 6 | QJ168QDJ.06-03 | Table,Rotary | 1 |
| 7 | QJ168QDJ.06-07 | Spring,Turbinaton | 1 |
| 8 | GB/T5789-1986 | Bolt | 3 |
| 9 | QJ168QDJ.06.01 | Cover,Starting | 1 |
| 10 | QJ168QDJ.06-08 | Rope,Strating | 1 |
| 11 | QJ168QDJ.06-09 | Handle | 1 |
| 12 | JF168FJH-5.03.02.01 | Cowling | 1 |
| 13 | GB/T5789-1986 | Bolt | 6 |
| 14 | JF168FJH-5.03.01.01 | Plate 1 Driversion | 1 |
| 15 | GB/T5789-1986 | Bolt | 1 |
| 16 | QJ168QDJ.06.02-01 | Plate 2 Driversion | 1 |
| 17 | JF168FLH-M.06 | Start pulling platesets | 1 |



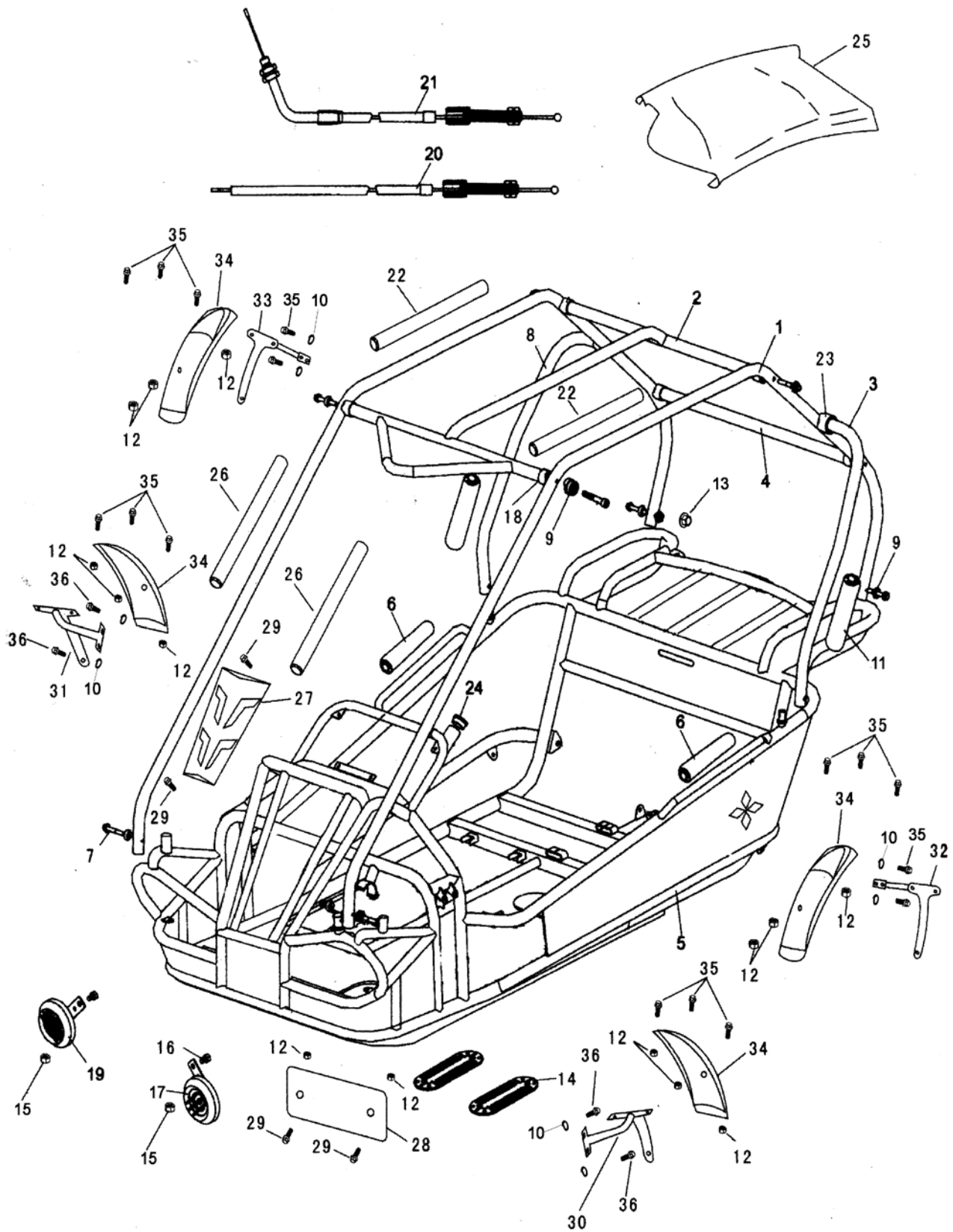
| AIR CLEANER ASSY | | | |
|------------------|----------------------|--------------------------|-----------|
| REF NO . | PART NO . | DESCRIPTION | REGD NO . |
| 1 | GB62-88 | Nut | 2 |
| 2 | QJ168QDJ.07-04B | Cover,Filtering | 1 |
| 3 | ZJ168FJH.07.01.01-02 | Seal | 1 |
| 4 | ZJ168FJH.07.01.01 | Core,Filtering | 1 |
| 5 | ZJ168FJH.07.01-02 | Bracket,Filtering | 1 |
| 6 | ZJ168FJH.07.01-03 | Seal | 1 |
| 7 | QJ168QDJ.07.01 | Cover,Upper Body | 1 |
| 8 | QJ168QDJ.07.03 | Seal,Air Cleaner | 1 |
| 9 | QJ168QDJ.07-01 | Colloid Pipe | 1 |
| 10 | QJ168QDJ.07B | AIR CLEANERASSY | 1 |
| 11 | QJ168QDL.05 | MUFFLER ASSY | 1 |
| 12 | JF168FLH-8B.09 | CARBURETOR ASSY | 1 |
| 13 | JF168FLH-8B.09-01 | Bracket,choke cable comp | 1 |
| | | | |
| | | | |



| SWITCH ASSY,IGNITION | | | | |
|----------------------|---------------------|----------------------|-----------|--|
| REF NO . | PART NO . | DESCRIPTION | REGD NO . | |
| 1 | JF168FLH-8B.06.01 | Stator comp | 1 | |
| 2 | QJ168QDJ.11.03 | Ignitor coil assy | 1 | |
| 3 | GB/T5789-1986 | Bolt M6X25 | 2 | |
| 4 | JF168FJH-8B.06.02 | Connecting Wire Assy | 1 | |
| 5 | JF168FJH-5.05.01 | motor assy.starter | 1 | |
| 6 | 168FJH-5.05.03 | starting relay | 1 | |
| 7 | JF168FJH-5.05.03.01 | wire,starting relay | 1 | |
| 8 | JF168FJH-5.01-01 | wire,fixed board | 1 | |
| | | | | |
| | | | | |
| | | | | |
| | | | | |
| | | | | |
| | | | | |
| | | | | |
| | | | | |

Fig 1

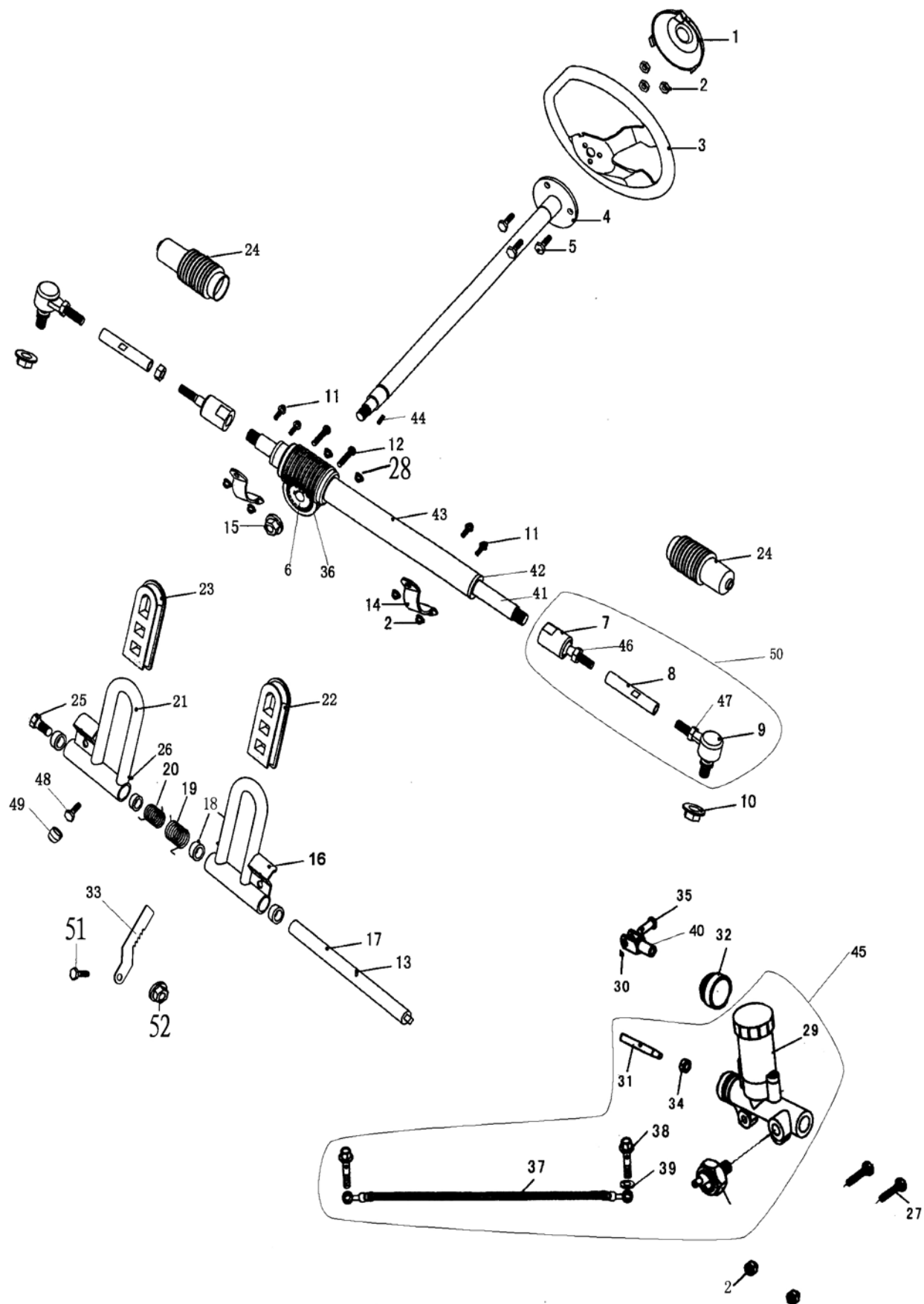
FRAME GROUP



| CARBURETOR SYSTEM ASSY | | | |
|------------------------|---------------|------------------------------------|-----------|
| REF NO . | PART NO . | DESCRIPTION | REGD NO . |
| 1-1 | 8.070.054 | C.B.C.BARCAGE.(R.S.B) | 2 |
| 1-2 | 6.060.300 | C.B.C.CUSTOM CROSSBARTOP.FR(R.S.B) | 1 |
| 1-3 | 8.070.055 | C.B.C.CUSTOM J-BAR.LSIDE(R.S.B) | 1 |
| 1-4 | 8.080.078 | C.B.C.CUSTOM CROSSBARTOP.RR(R.S.B) | 1 |
| 1-5 | 2.000.054 | FRAME COMP.(R.S.B) | 1 |
| 1-6 | 6.000.189 | FOAM RADDING-1 | 2 |
| 1-7 | GB5787 M8X50 | BOLT M8x1.25x50 | 14 |
| 1-8 | 8.070.056 | C.B.C.CUSTOM J-BAR.RSIDE(R.S.B) | 1 |
| 1-9 | 8.010.047 | R- WASHER | 20 |
| 1-10 | GB93 ϕ 6 | SPRING WASHER ϕ 6 | 8 |
| 1-11 | 6.100.319 | FOAM RADDING-4 | 2 |
| 1-12 | GB6177 M6 | NUT M6 | 14 |
| 1-13 | GB6187 M8 | NUT M8 | 6 |
| 1-14 | 7.020.045 | RUBBER FOOLPLAIE | 4 |
| 1-15 | GB6170 M8 | NUT M8 | 2 |
| 1-16 | GB5789 M8X16 | BOLT M8x1.25x16 | 2 |
| 1-17 | 6.000.136 | HORN.L | 1 |
| 1-18 | 7.010.017 | TUBE SEAT 25 | 6 |
| 1-19 | 6.000.135 | HORN.H | 1 |
| 1-20 | 6.000.317 | THROTTLE CABLE COMP. | 1 |
| 1-21 | 6.130.134 | CHOKE CABLE COMP | 1 |
| 1-22 | 6.000.319 | FOAM RADDING-2 | 2 |
| 1-23 | 7.110.018 | TUBE SEAT 28 | 2 |
| 1-24 | 7.010.006 | STEERINGSHAFT BUSH | 1 |
| 1-25 | 6.000.320 | BIKINI TOP | 1 |
| 1-26 | 7.020.111 | FOAM PADDING-3 | 2 |
| 1-27 | 9.131.192 | DECORATION PLATE 1 | 1 |
| 1-28 | 8.020.221 | DECORATION PLATE 2 | 1 |
| 1-29 | GB5789 M6X20 | BLOT M6X20 | 4 |
| 1-30 | 6.131.172 | FRONT FENDER BRACKET,L | 1 |
| 1-31 | 6.130.172 | FRONT FENDER BRACKET,R | 1 |
| 1-32 | 6.132.172 | REAR FENDER BRACKET.L | 1 |
| 1-33 | 6.133.172 | REAR FENDER BRACKET,R | 1 |
| 1-34 | 6.001.074 | FENDER | 4 |
| 1-35 | GB5789 M6X16 | BLOT M6X16 | 16 |
| 1-36 | GB5789 M6X12 | BLOT M6X12 | 4 |

Fig 2

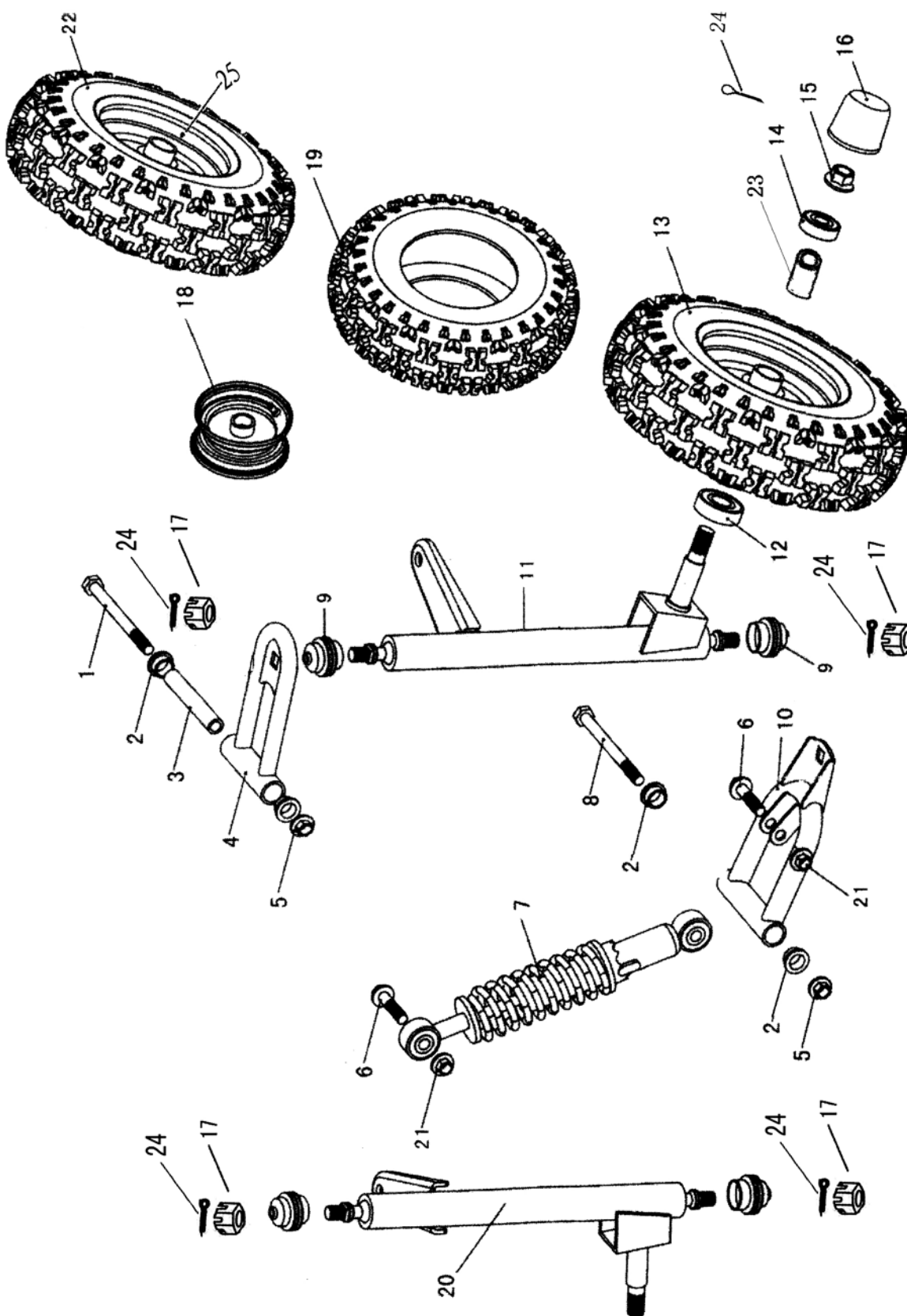
STEERING SHAFT ASSY



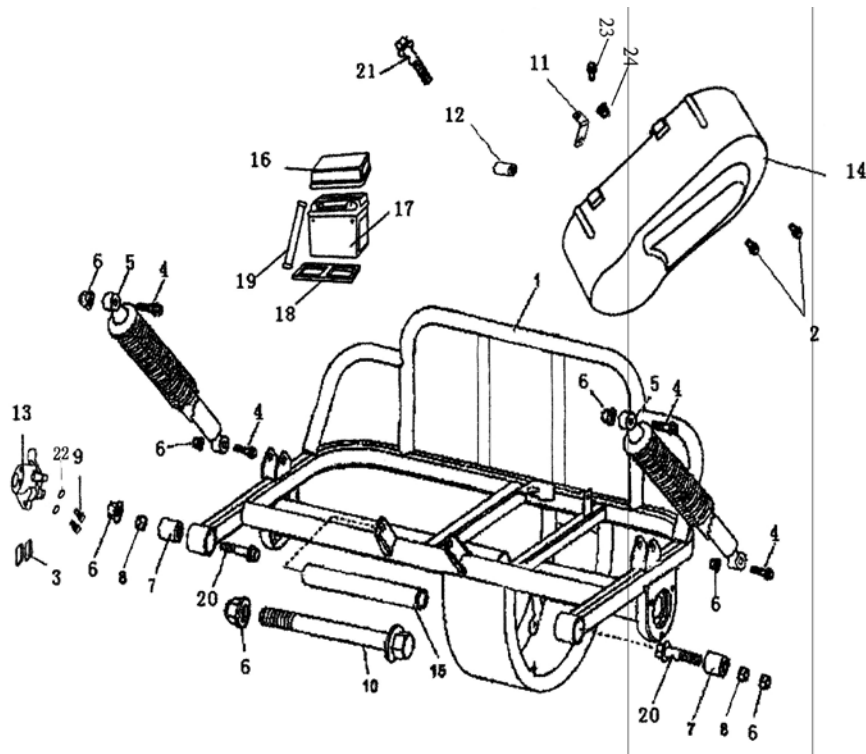
| STEERING SHAFT ASSY | | | | |
|---------------------|---------------|--------------------------------|-----------|--|
| REF NO . | PART NO . | DESCRIPTION | REGD NO . | |
| 2-1 | 7.010.056 | STEERING BOLT COVER | 1 | |
| 2-2 | GB6187 M6 | LOCKING NUT M6 | 9 | |
| 2-3 | 7.020.057 | STEERING WHEEL | 1 | |
| 2-4 | 2.000.056 | STEERING-SHAFT | 1 | |
| 2-5 | GB5783 M6X16 | BOLT M6 x16 | 3 | |
| 2-6 | 8.010.131 | STEERING GEAR | 2 | |
| 2-7 | 6.000.180 | STEERING BALL JOINT | 2 | |
| 2-8 | 8.010.135 | TIE ROD | 2 | |
| 2-9 | 6.000.181 | ROD END | 2 | |
| 2-10 | GB6187 M8 | NUT M8 | 2 | |
| 2-11 | GB5787 M6X20 | BOLT M6 x20 | 4 | |
| 2-12 | GB818 M5X12 | BOLT M5 x12 | 2 | |
| 2-13 | 9.500.008 | ROLL PIN ϕ 3 x 20 | 1 | |
| 2-14 | 8.020.130 | STEERING GEAR BRACKET(R.S.B) | 2 | |
| 2-15 | 9.820.010 | LOCKING NYLON NUT M10 | 1 | |
| 2-16 | 4.000.044 | BRALE PEDAL COMP. | 1 | |
| 2-17 | 8.010.123 | PEDAL BOLT | 1 | |
| 2-18 | 7.010.003 | PEDAL BUSH | 4 | |
| 2-19 | 8.040.011 | BRAKE PEDAL RETURN SPRING,R | 1 | |
| 2-20 | 8.040.010 | THROTTLE PEDAL RETURN SPRING,L | 1 | |
| 2-21 | 9.500.218 | THROTTLE PEDAL COMP | 1 | |
| 2-22 | 7.020.043 | BRAKE PEDAL PAD | 1 | |
| 2-23 | 7.020.044 | THROTTLE PEDAL PAD | 1 | |
| 2-24 | 7.020.059 | STEERING BALL JOINT DUST COVER | 2 | |
| 2-25 | GB70 M8X16 | BLOT M8X16 | 1 | |
| 2-26 | 9.500.007 | ROLL PIN ϕ 3 x 16 | 2 | |
| 2-27 | GB5783 M6X25 | BOLT M6X25 | 2 | |
| 2-28 | GB97 ϕ 6 | Flat washer ϕ 6 | 2 | |
| 2-29 | 6.000.305 | MASTER CYLIND ER | 1 | |
| 2-30 | 9.500.130 | COTTER PIN | 1 | |
| 2-31 | 6.000.306 | CYIINDER ROD | 1 | |
| 2-32 | 7.020.076 | DUST COVER | 1 | |
| 2-33 | 8.020.209 | Stopping plate | 1 | |
| 2-34 | GB6170 M6 | NUT M6 | 1 | |
| 2-35 | 9.700.628 | LOCKING ROLL PIN | 1 | |
| 2-36 | 4.010.001 | Connecting device | 1 | |
| 2-37 | 6.000.010 | BRAKE HOSE ASSY | 1 | |
| 2-38 | 9.700.004 | bolt M10X24 | 2 | |
| 2-39 | 9.300.010 | washer ϕ 10 | 4 | |
| 2-40 | 8.020.224 | CYIINDER ROD BRACKET | 1 | |
| 2-41 | 8.010.075 | gear axle | 1 | |
| 2-42 | 7.010.007 | STEERING GEAR BUSH | 2 | |
| 2-43 | 8.010.079 | connecting pipe | 1 | |
| 2-44 | 8.010.082 | key 4x4x12 | 1 | |
| 2-45 | 6.000.000 | Hydraulic brake assembly | 1 | |
| 2-46 | GB6170 M6 | nut m6 | 2 | |
| 2-47 | GB6170 M6(L) | nut m6(L) | 2 | |
| 2-48 | GB5782 M8X50 | BOLT M8X50 | 1 | |
| 2-49 | 7.010.022 | rubber food pedal stop | 1 | |
| 2-50 | 8.000.002 | TIE ROD ASSY | 2 | |
| 2-51 | GB5783 M8X18 | BOLT M8X18 | 1 | |
| 2-52 | GB6170 M8 | NUT M8 | 1 | |

Fig 3

SUSPENSION ARM ASSY



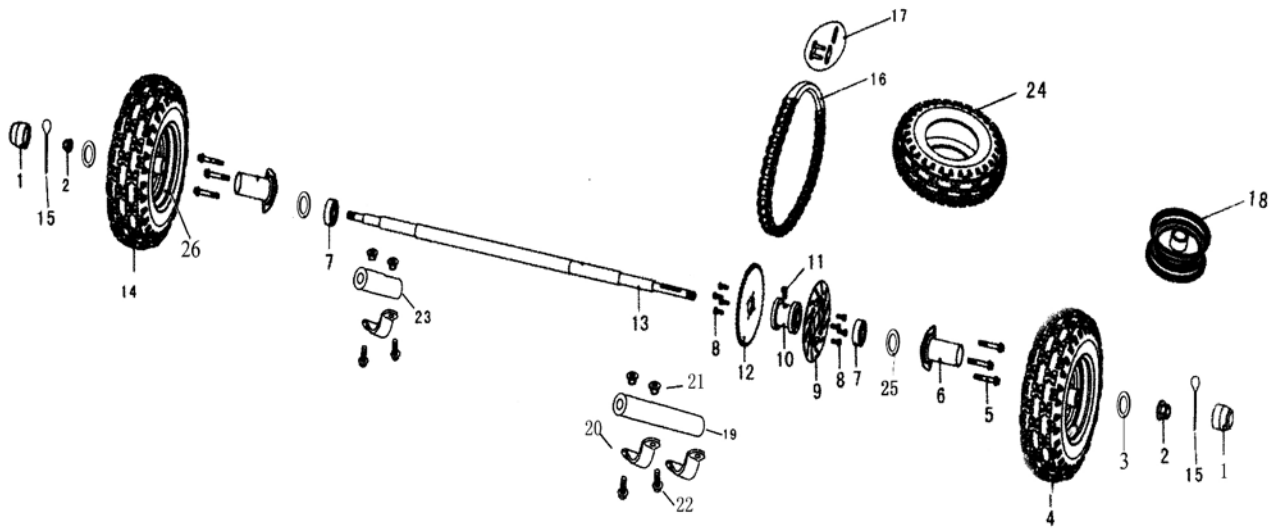
| SUSPENSION ARM ASSY | | | |
|---------------------|-----------------|-----------------------------|-----------|
| REF NO . | PART NO . | DESCRIPTION | REGD NO . |
| 3-1 | GB5789 M8 x 105 | FLANGE BOLOT M8 x 1.25x 105 | 2 |
| 3-2 | 7.010.003 | UPPER SUSPENSIONARM BUSH | 8 |
| 3-3 | 8.010.015 | UPPER SUSPENSIONARM COLLAR | 2 |
| 3-4 | 4.000.047 | UPPER SUSPENSIONARM | 2 |
| 3-5 | GB6187 M8 | LOCKING FLANGE UNT.M8 | 4 |
| 3-6 | GB5789 M10 x 40 | FLANGE BOLT M10 x 40x1.25 | 4 |
| 3-7 | 6.100.325 | CUSHION ASS Y.FR | 2 |
| 3-8 | 9.708.145 | FLANGE BOLT M8x1.25x145 | 2 |
| 3-9 | 7.020.061 | BALL HEADDUST SEAL | 4 |
| 3-10 | 4.000.041 | LOWER SUSPENSION ARM ASSY | 2 |
| 3-11 | 2.000.055 | SPINDLE ANDSTRUT SUPPORT,R | 1 |
| 3-12 | 6202-2RS | BEARING 6202 | 2 |
| 3-13 | 6.000.309 | FRONT WHEELASSY.L. | 1 |
| 3-14 | 6201-2RS | BEARING 6201 | 2 |
| 3-15 | 9.800.012 | NUT M12 | 2 |
| 3-16 | 7.020.039 | HUB COVER FR | 2 |
| 3-17 | 9.800.010 | NUT M10 | 4 |
| 3-18 | 6.100.310 | RIM,FR | 2 |
| 3-19 | 6.100.311 | TIRE,FR 16X6-8 | 2 |
| 3-20 | 2.000.057 | SPINDLE ANDSTRUT SUPPORT,L | 1 |
| 3-21 | GB6187 M10 | LOCKING FLANGE M10X1.25 | 4 |
| 3-22 | 6.100.321 | FRONT WHEELASSY.R. | 1 |
| 3-23 | 8.010.084 | Collar | 2 |
| 3-24 | 9.500.230 | COTTER PIN ϕ 2.5X30 | 6 |
| 3-25 | 7.190.018 | Air valve | 2 |



| REAR SWING ARM | | | |
|----------------|---------------|---------------------------------|-----------|
| REF NO . | PART NO . | DESCRIPTION | REGD NO . |
| 4-1 | 4.000.045 | REAR SWINGARM | 1 |
| 4-2 | GB5789 M6X12 | FLANGE LOCKING NUT M6X12 | 2 |
| 4-3 | 7.020.016 | RR. BRAKE PAD SET | 1 |
| 4-4 | GB5789 M10X40 | FLANGE LOCKING BOLT M10X1.25X40 | 4 |
| 4-5 | 6.000.322 | CUSHION ASSY. RR. | 2 |
| 4-6 | GB6187 M10 | LOCKING NUT M10X1.25 | 7 |
| 4-7 | 7.020.077 | BUSHING, SWINGARM ISOLATOR | 2 |
| 4-8 | GB6170 M10 | NUT M10X1.25 | 2 |
| 4-9 | GB70 M8X12 | BOLT M8X12 | 2 |
| 4-10 | 9.110.180 | BOLT M10X1.25X180 | 1 |
| 4-11 | 10201-80 | DRIVE COVER PLASTIC BRACKET | 1 |
| 4-12 | 10202-80 | DRIVE COVER PLASTIC COLLAR | 1 |
| 4-13 | 6.000.028 | RR. CALIPER ASSY. | 1 |
| 4-14 | 8.110.021-A | DRIVE COVER PLASTIC | 1 |
| 4-15 | 8.146.066 | SPANNER | 1 |
| 4-16 | 7.010.028 | BATTERY COVER | 1 |
| 4-17 | 6.000.085 | BATTERY 12V 6.5AH | 1 |
| 4-18 | 7.020.020 | LOWER BATTERY CUSHION | 1 |
| 4-19 | 7.020.023 | BATTERY STRAP | 1 |
| 4-20 | GB5789 M10X68 | FLANGE LOCKING M10X1.25X68 | 2 |
| 4-21 | GB5789 M8X55 | FLANGE LOCKING M8X55 | 1 |
| 4-22 | GB93 φ8 | SPRING WASHER φ8 | 2 |
| 4-23 | GB5789 M6X20 | BOLT M6X20 | 1 |
| 4-24 | GB6187 M6 | NUT M6 | 1 |

Fig 5

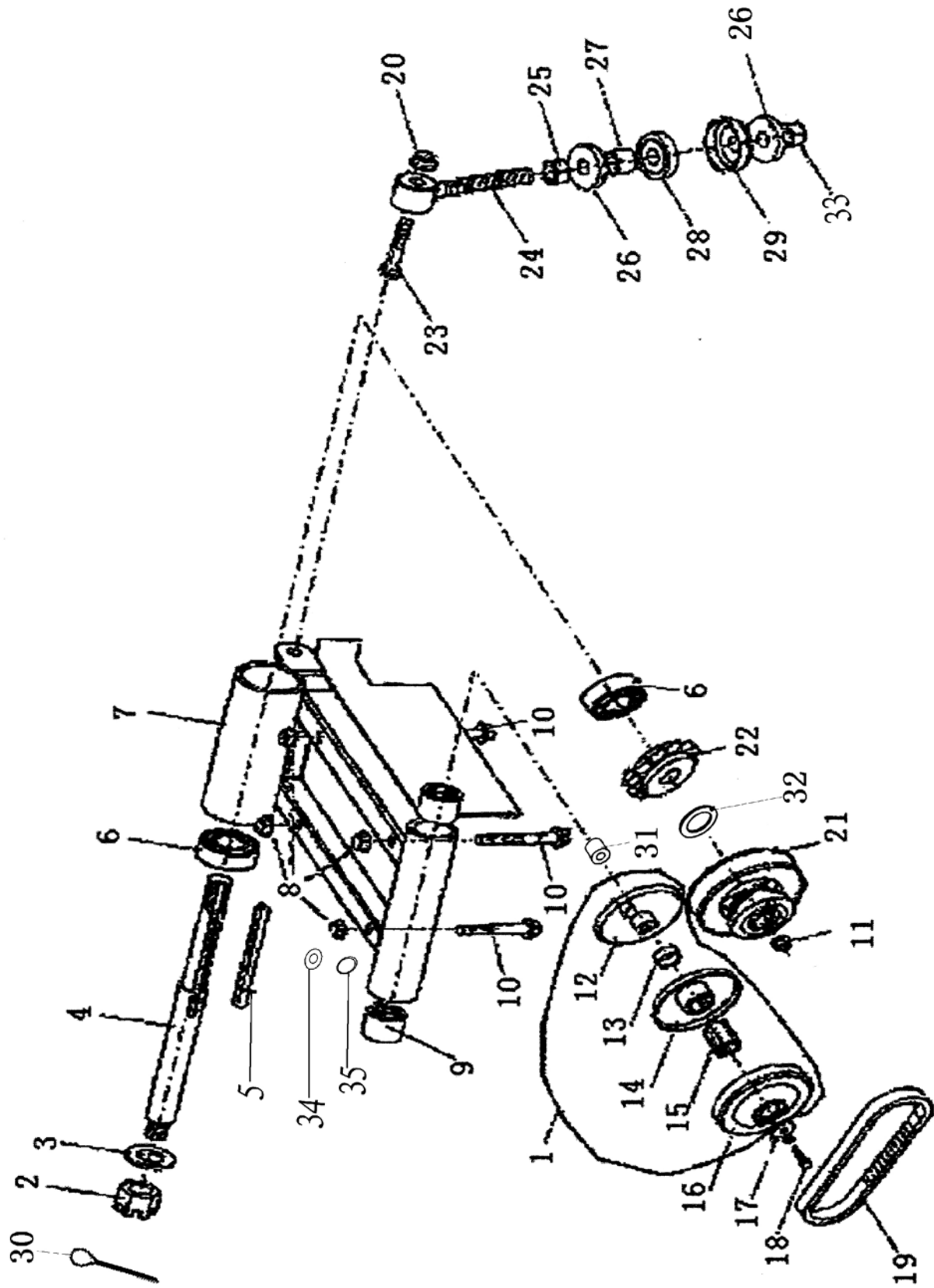
REAR HOUSING



| REAR HOUSING | | | | |
|--------------|--------------|------------------------|-----------|--|
| REF NO . | PART NO . | DESCRIPTION | REGD NO . | |
| 5-1 | 7.020.039 | HUB COVER,RR | 2 | |
| 5-2 | 9.800.016 | CASTLE NUT M16 | 2 | |
| 5-3 | GB96 φ 16 | WASHER φ 16 | 2 | |
| 5-4 | 6.000.315 | REAR WHEELASSY R. | 1 | |
| 5-5 | GB5789 M8X16 | FLANGE BOLT M8x1.25x16 | 6 | |
| 5-6 | 6.000.196 | AXLE COVER | 2 | |
| 5-7 | 6005-2RS | BEARING,6005 | 2 | |
| 5-8 | GB70 M8X20 | FLANGE BOLT M8x20 | 8 | |
| 5-9 | 8.010.201 | DISC BRAKE,RR | 1 | |
| 5-10 | 8.010.202 | REAR AXLE HUB | 1 | |
| 5-11 | 9.110.025 | BOLT M10x1.25x25 | 1 | |
| 5-12 | 8.010.200 | REAR SPROCKET | 1 | |
| 5-13 | 8.010.199 | REAR AXLE | 1 | |
| 5-14 | 6.000.316 | REAR WHEELASSY L. | 1 | |
| 5-15 | 9.500.330 | COTTER PIN 3x40 | 2 | |
| 5-16 | 7.060.016 | DRIVE CHAIN | 1 | |
| 5-17 | 6.000.324 | MASTER LINK | 1 | |
| 5-18 | 6.100.333 | RIM,RR | 2 | |
| 5-19 | 9.010.012 | PROTECTOR 2 | 1 | |
| 5-20 | 8.020.014 | BRACKET.STEERING GEAR | 3 | |
| 5-21 | GB6187 M8 | LOCKING FLANGE NUT.M8 | 6 | |
| 5-22 | GB5787 M8X25 | BOLT M8X25 | 6 | |
| 5-23 | 9.010.011 | PROTECTOR 1 | 1 | |
| 5-24 | 7.020.078 | REAR TIRE 16x7-8 | 2 | |
| 5-25 | 7.090.001 | WASHER φ 45X35.5X2 | 2 | |
| 5-26 | 7.190.018 | Air valve | 2 | |

Fig 6

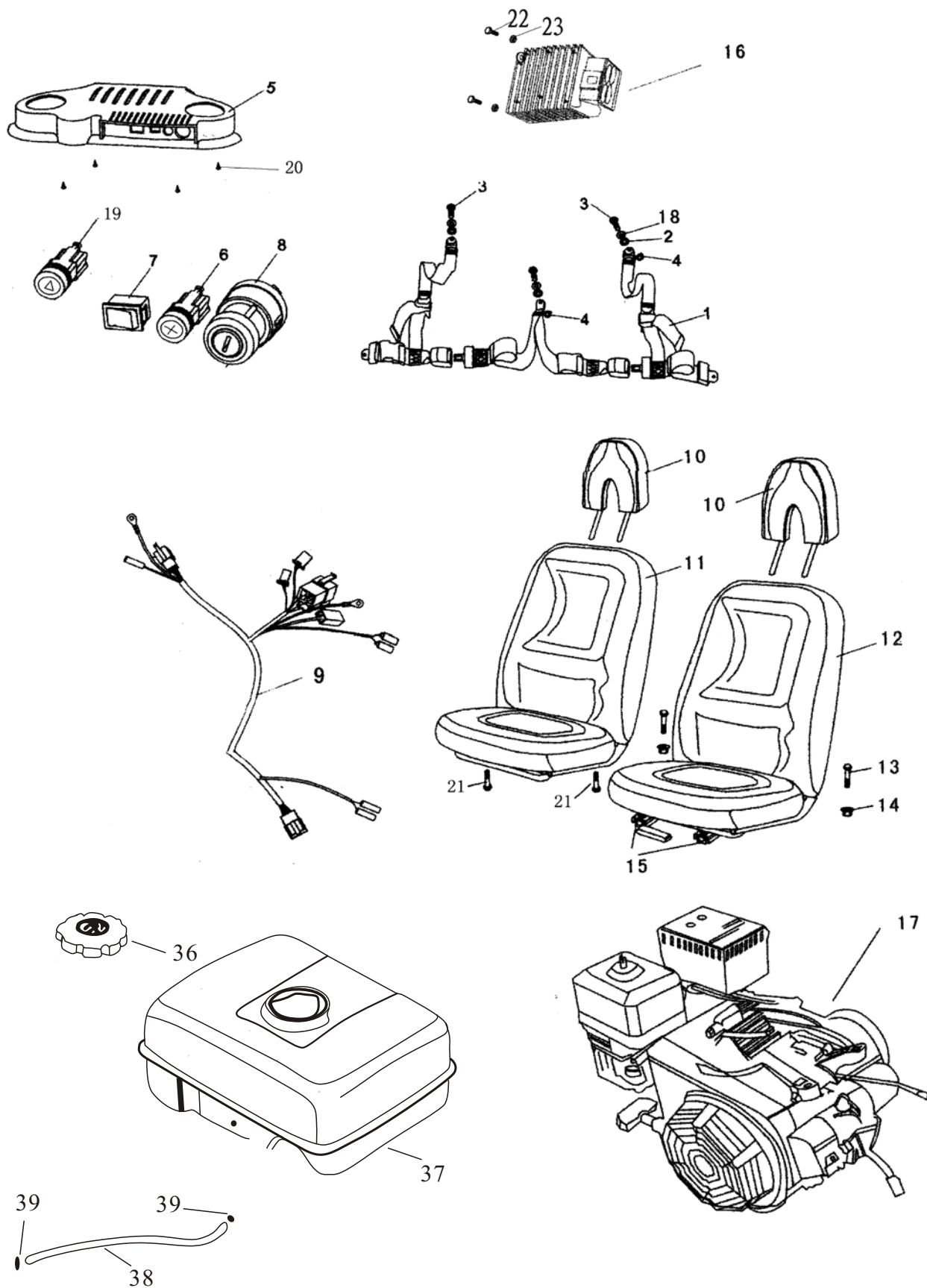
CLUTCH ASSY



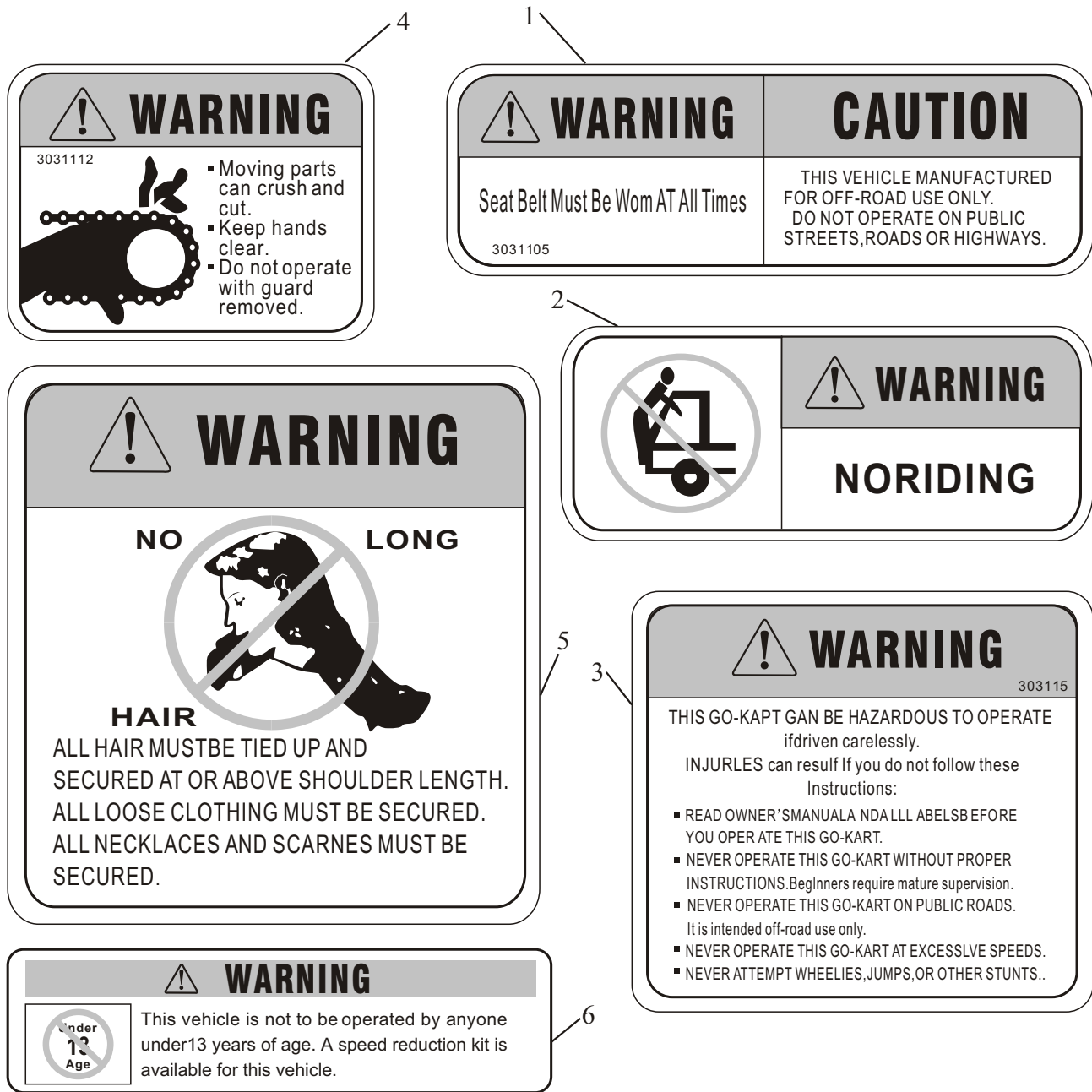
| CLUTCH ASSY | | | |
|-------------|----------------|--|-----------|
| REF NO . | PART NO . | DESCRIPTION | REGD NO . |
| 6-1 | 9.500.001 | FRONT CLUTCH80T | 1 |
| 6-2 | 9.800.014 | CASTLE NUT M14X1.5 | 1 |
| 6-3 | GB97 ϕ 14 | WASHER ϕ 14 | 1 |
| 6-4 | 8.011.057 | SHAFT, SPROCKET & DRIVE PULLEY | 1 |
| 6-5 | 8.010.027 | KEY 5X5X85 | 1 |
| 6-6 | 6004-2RS | BEARING 6004 | 2 |
| 6-7 | 8.000.001 | ENGINE MOUNTING PLATE-METALLIC | 1 |
| 6-8 | GB6187 M8 | FLANGE LOCKING NUTM8 | 4 |
| 6-9 | 7.020.077 | BUSHING | 2 |
| 6-10 | GB5787 M8X55 | BOLT M8X55 | 4 |
| 6-11 | GB6187 M16 | LOCKING NUT M16X1.5 | 1 |
| 6-12 | 8.146.098 | SHEAVE, STATIONARY | 1 |
| 6-13 | 8.146.099 | BUSHING | 1 |
| 6-14 | 8.147.000 | SHEAVE, MOVEABLE | 1 |
| 6-15 | 8.147.001 | HUB | 1 |
| 6-16 | 8.147.002 | DRUM | 1 |
| 6-17 | 9.300.008 | BUSHING BOLCK | 1 |
| 6-18 | GB5787 M8X40 | BOLT, M8X40 | 1 |
| 6-19 | 9.100.018 | BELT | 1 |
| 6-20 | GB6187 M10 | FLANGE LOCKING NUTM10X1.25 | 1 |
| 6-21 | 9.500.010 | DRIVEN PULLEY | 1 |
| 6-22 | 8.011.077 | SPROCKET, 10T DRIVEN | 1 |
| 6-23 | GB5789 M10X40 | BOLT M10X1.25X40 | 1 |
| 6-24 | 8.147.008 | CHAIN ADJUSTER | 1 |
| 6-25 | GB6170 M12 | NUT M12X1.25 | 1 |
| 6-26 | 8.010.042 | WASHER-CHAIN ADJUSTER(ϕ 12X ϕ 35X6) | 2 |
| 6-27 | 8.010.041 | BUSHING-CHAIN ADJUSTER | 1 |
| 6-28 | 7.020.001 | CAP WASHER-CHAINADJUSTER | 1 |
| 6-29 | 8.020.045 | BOTTOM CAP WASHER-CHAINADJUSTER | 1 |
| 6-30 | 9.500.330 | COTTER PIN ϕ 3x30 | 1 |
| 6-31 | 8.010.094 | COLLAR ϕ 30X ϕ 20X12.5 | 1 |
| 6-32 | 8.020.235 | WASHER - DRIVEN PULLEY | 1 |
| 6-33 | GB6187 M12 | NUT M12X1.25 | 1 |
| 6-34 | GB97 ϕ 8 | WASHER ϕ 8 | 4 |
| 6-35 | GB93 ϕ 8 | SPRING WASHER ϕ 8 | 4 |
| 6-36 | | FUEL FILLER CAP COMP. | 1 |
| 6-37 | 6.000.145 | FUEL TANK COMP. | 1 |
| 6-38 | 7.020.030-80 | FUEL TUBE | 1 |
| 6-39 | 8.040.009 | TUBE CLIP | 1 |

Fig 7

WIRE HARNESS/ELECTRICAL/SEAT/ENGINE



| WIRE HARNESS/ELECTRICAL/SEAT/ENGINE | | | | |
|-------------------------------------|-----------------|-------------------------|-----------|--|
| REF NO . | PART NO . | DESCRIPTION | REGD NO . | |
| 7-1 | 6.000.328 | SAFETY BELT | 1 | |
| 7-2 | 9.700.002 | BELT WASHER 12 | 3 | |
| 7-3 | 9.700.001 | SPECIAL BOLT M7/16 X28 | 3 | |
| 7-4 | 9.700.003 | BELT NUT M7/16 | 3 | |
| 7-5 | 7.010.076 | SWITCH PANEL COVER | 1 | |
| 7-6 | 6.000.164 | ENGINE STOP BUTTON | 1 | |
| 7-7 | 6.000.133 | HORN BUTTON | 1 | |
| 7-8 | 6.000.165 | POWER ON SWITCH | 1 | |
| 7-9 | 6.000.313 | WIRE HARNESS | 1 | |
| 7-10 | 6.000.329 | HEAD-REST | 2 | |
| 7-11 | 6.000.330 | SEAT COMP.R | 1 | |
| 7-12 | 6.000.331 | SEAT COMP.L | 1 | |
| 7-13 | 9.910.841 | BOLT STRAP M8X1.25X45 | 2 | |
| 7-14 | GB6177 M8 | FLANGE NUT M8 | 2 | |
| 7-15 | 6.000.057 | SEAT RALL SET | 1 | |
| 7-16 | 6.100.167 | RECTIFIER COMP.REGULATE | 1 | |
| 7-17 | 7.160.012 | ENGINE COMP. | 1 | |
| 7-18 | 7.060.022 | LOCKING WASHER | 3 | |
| 7-19 | 6.000.200 | ELETRIC STARTER BUTTON | 1 | |
| 7-20 | GB2823 ST4.2X13 | BOLT ST4.2X13 | 4 | |
| 7-21 | GB5787 | BOLT STRAP M8X1.25X40 | 2 | |
| 7-22 | GB5789 | bolt M6X16 | 2 | |
| 7-23 | Gb6187 | NUT M6 | 2 | |



WARNING STICKERS ASSY

| REF NO . | PART NO . | DESCRIPTION | REGD NO . |
|----------|------------|-------------------------|-----------|
| 8-1 | 14-1201-00 | LABEL SEAT BELT | 1 |
| 8-2 | 14-1202-00 | LABEL NO CLIMBING | 1 |
| 8-3 | 14-1203-00 | LABEL WARNING OPERATION | 1 |
| 8-4 | 14-1204-00 | LABEL CHAIN GUARD | 1 |
| 8-5 | 14-1205-00 | LABEL NO LONG HAIR | 1 |
| 8-6 | 14-1206-80 | LABEL AGE | 1 |
| 8-7 | | | |
| 8-8 | 14-1207-80 | OWNER'S MANUAL | 1 |