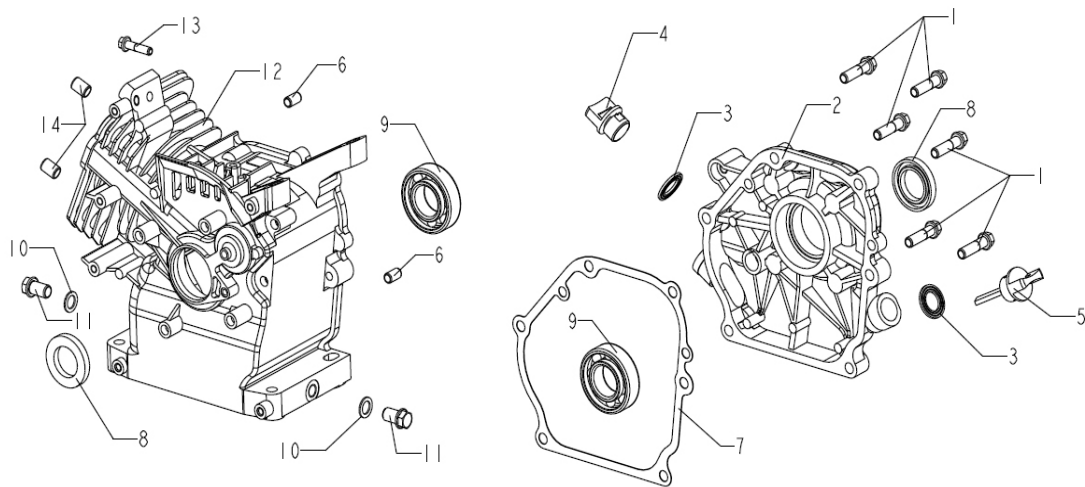




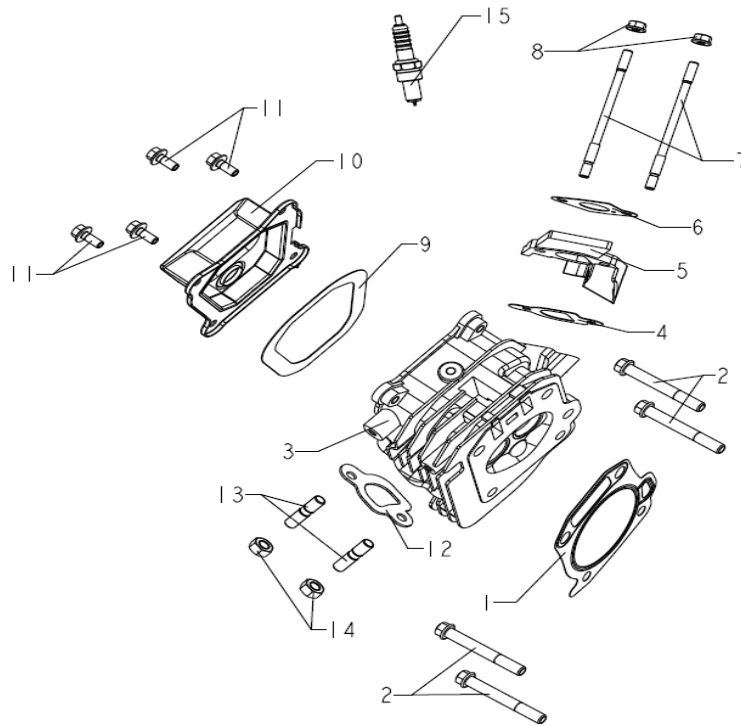
***TrailMaster* Go-Kart**
MID XRS
PARTS MANUAL

ENGINE FIG. 1 CRANKCASE ASSY.



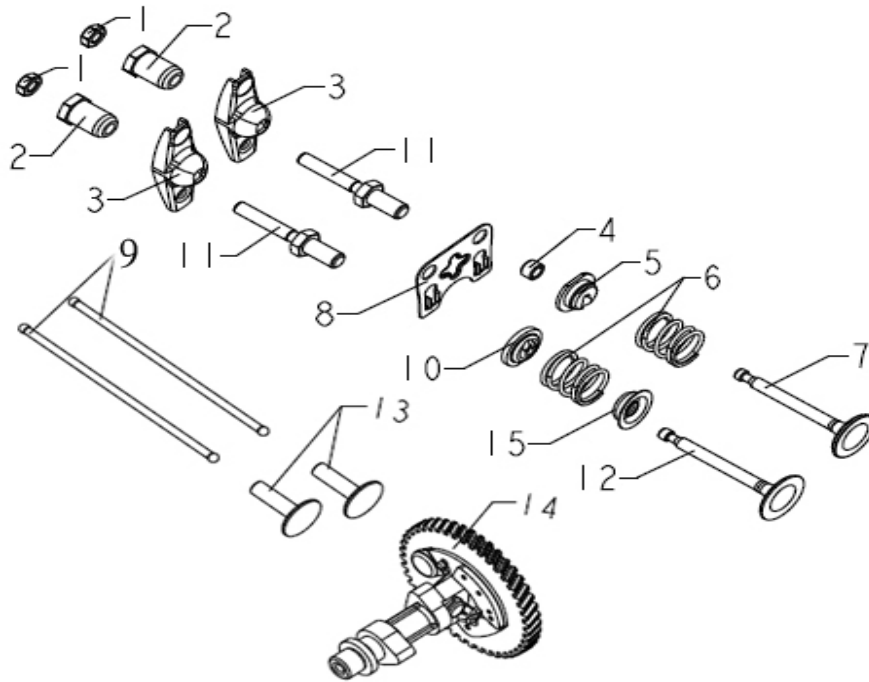
CRANKCASE ASSY.			
REF NO.	PART NO.	DESCRIPTION	QTY
1-1	GB/T5787-1986	BOLT M8X30	6
1-2	QJ168QDJ.01-01	COVER, CRANKCASE	1
1-3	JF142F.8-5	WASHER, SEAL	2
1-4	QJ168QDJ.01-04	GAUGE, ENGINE OIL	2
1-5	QJ168QDJ.01-03	COVER, SUPPLY OIL MOUTH	1
1-6	157.3-8	GUIDE, DOWEL (8X14)	2
1-7	QJ168QDJ.01-02	SPACER, CRANKCASE	1
1-8	QJ168QDJ.01.01	OIL SEAL ASSY 25X41.25X6	2
1-9	GB/T276-1994	BEARING 6025/P53	2
1-10	QJ166QDK.01-07	SPACER, DRAIN PLUG	2
1-11	QJ166QDK.01-06	DRAIN PLUG	2
1-12	QJ168QDL.01.01	CRANKCASE ASSY	1
1-13	GB/T5789-1986	BOLT M6X30	1
1-14	157.4-6	GUIDE, DOWEL (10X14)	2

ENGINE FIG. 2 CYLINDER HEAD ASSY.



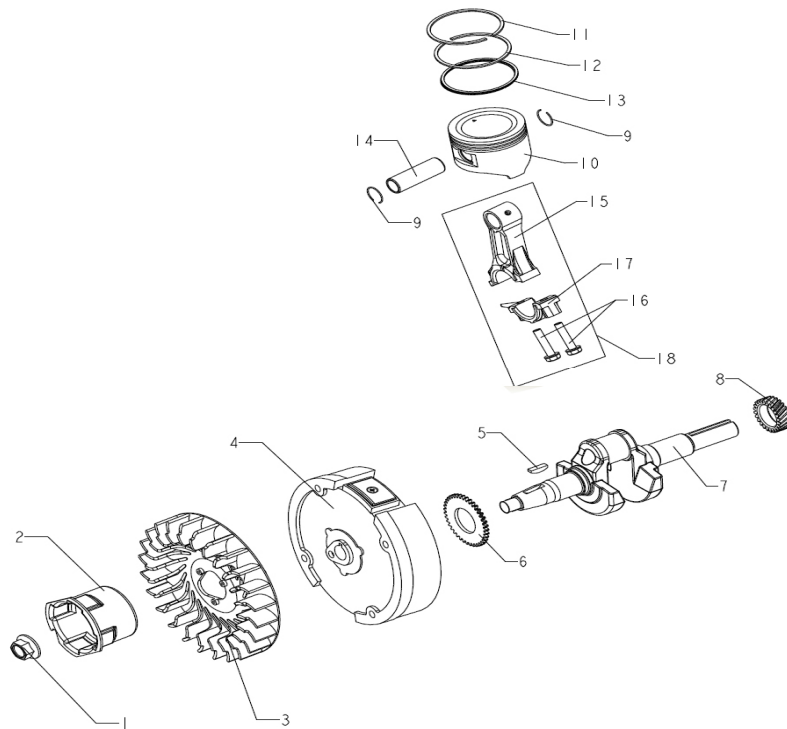
CYLINDER HEAD ASSY.			
REF NO.	PART NO.	DESCRIPTION	QTY
2-1	QJ168QDL.02-01	SPACER ASSY, CYLINDER HEAD	1
2-2	GB/T5787-1986	M8X660BOLT,CYLINDER HEAD	4
2-3	QJ168QDL.02.01B(30730M02F0B0)	CYLINDER HEAD	1
2-4	QJ168QDJ.02-04	SPACER 1	1
2-5	QJ168QDJ.02-02	MATTRESS, HEAT INSULATING	1
2-6	QJ168QDJ.02-05	SPACER 2	1
2-7	QJ168QDJ.02-03	BOLT, INTAKE PIPE	2
2-8	GB/T6177-2000	NUT M6	2
2-9	QJ168QDJ.02-06	SPACER, SEAL	1
2-10	JF168FJH-15.02.01	CLIPBOARD	1
2-11	GB/T5789-1986	BOLT M6X14	4
2-12	QJ168QDJ.02-01	SPACER, EXHAUST PIPE	1
2-13	QJ168QDJ.02-07	BOLT, EXHAUST PIPE	2
2-14	GB/T6170-2000	NUT M8	2
2-15	QJ1E50FMG.1.2	(F7RTC) SPARK PLUG	1

ENGINE FIG. 3 INTAKE EXHAUST MECHANISM ASSY.



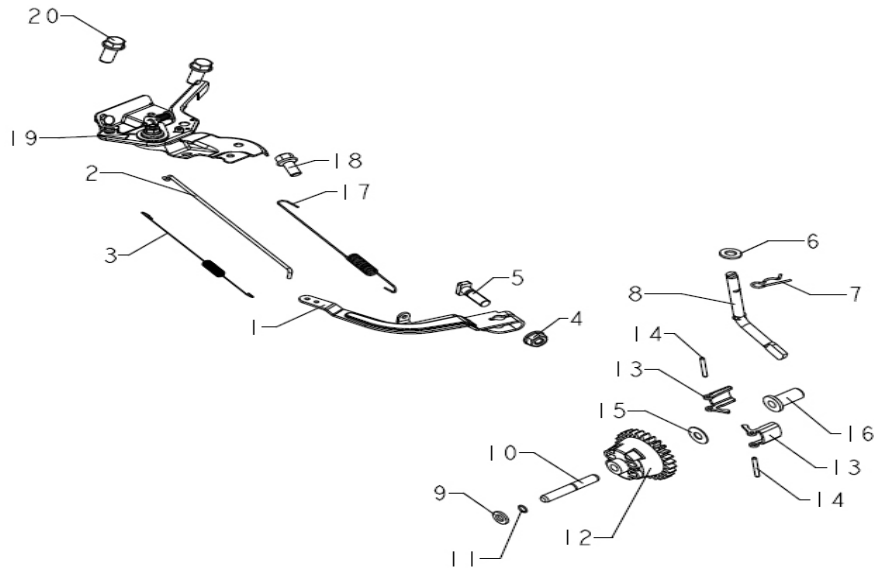
INTAKE EXHAUST MECHANISM ASSY.			
REF NO.	PART NO.	DESCRIPTION	QTY
3-1	QJ166QDK.03-11	ADJUSTING NUT, VALVE CLEARANCE	2
3-2	QJ182QDP.03-07	BUTTON HEAD, ARM	2
3-3	QJ168QDJ.03-09	ARM	2
3-4	J168QDJ.03-02	CAP, EXHAUST DOOR ROD	1
3-5	QJ168QDJ.03-10	UPPER RETAINER, EXHAUST DOOR SPRING	1
3-6	QJ168QDJ.03-07	SPRING, VALVE	2
3-7	QJ168QDJ.03-05B	VALVE, EXHAUST	1
3-8	QJ168QDJ.03.04	GUIDE PLATE, CONNECTING STUD	1
3-9	QJ168QDJ.03.02	ROD, CONNECTING	2
3-10	QJ168QDJ.03-08	UPPER RETAINER, INTAKE DOOR SPRING	1
3-11	QJ182QDP.03-04	ADJUSTING STUD, VALVE CLEARANCE	2
3-12	QJ168QDJ.03-06B	VALVE, INTAKE	1
3-13	QJ168QDL.03-01	STUD, CONNECTING	2
3-14	QJ168QDL.03.01	CAMSHAFT	1
3-15	QJ168QDJ.03.03	OIL SEAL, VALVE	1

ENGINE FIG. 4 BRANCE FLYING WHEEL



BRANCE FLYING WHEEL			
REF NO.	PART NO.	DESCRIPTION	QTY
4-1	QJ168QDJ.04-06	NUT, CLAMP	1
4-2	QJ168QDJ.04-10	RATCHET WHEEL	1
4-3	QJ168QDJ.04-11	FAN	1
4-4	JF168FJH-5.02.01	FLYING WHEEL	1
4-5	QJ182QDP.04-03	KEY	1
4-6	QJ168QDJ.04-09	DRIVEN GEAR, ADJUSTING	1
4-7	JF168FLH-8B.04-01	BRANCE	1
4-8	QJ168QDJ.04-08	GEAR, CRANKSHAFT TIMING	1
4-9	QJ168QDJ.04-05	CIRCLIP, PISTON PIN	2
4-10	QJ168QDL.04-01	PISTON	1
4-11	QJ168QDJ.04-02	RING, FIRST	1
4-12	QJ168QDJ.04-03	RING, SECOND	1
4-13	QJ168QDJ.04.01	OIL RING ASSY	1
4-14	QJ168QDJ.04-04	PIN, PISTON	1
4-15	QJ168QDJ.04.02-01	ROD, CONNECTING	1
4-16	QJ166QDK.05.02-03	BOLT, CONNECTING ROD	2
4-17	QJ168QDJ.04.02-02	COVER, CONNECTING ROD	1
4-18	QJ168QDJ.04.02	CONNECTING ROD ASSY	1

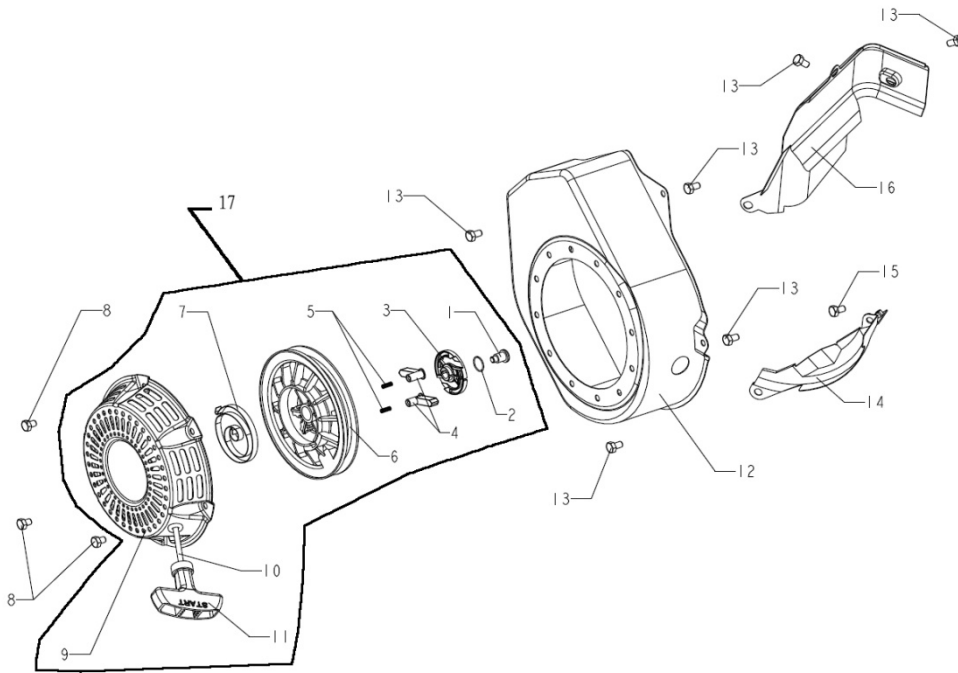
ENGINE FIG. 5 CENTRIFUGAL ADJUSTMENT ASSY.



CENTRIFUGAL ADJUSTMENT ASSY.

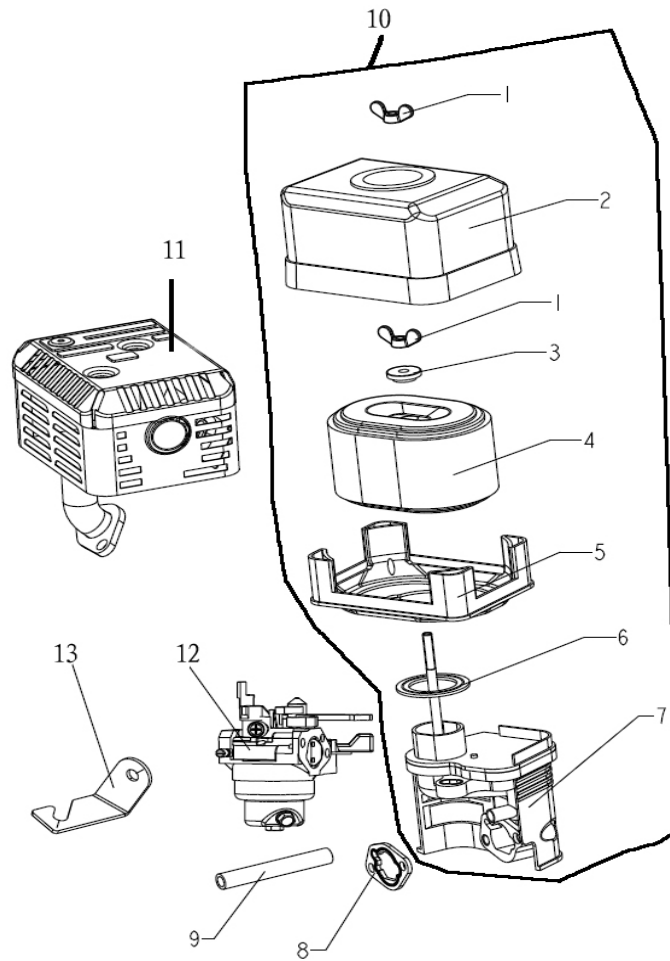
REF NO.	PART NO.	DESCRIPTION	QTY
5-1	QJ168QDJ.05-01	ARM	1
5-2	QJ168QDJ.05-07	ROD TENSION	1
5-3	QJ168QDJ.05-06	SPRING 2,TENSION	1
5-4	GB/T6177-2000	NUT	1
5-5	QJ182QDP.06-03	BOLT, SQUARE	1
5-6	QJ168QDJ.05-09	SPACER 2	1
5-7	QJ182QDP.06-02	CIRCLIP	1
5-8	QJ168QDJ.05-03	FORK	1
5-9	QJ166QDK.06-03	SPACER 1	1
5-10	QJ168QDJ.05-04	PIN	1
5-11	QJ166QDK.01-02	CIRCLIP	1
5-12	QJ168QDJ.05.02-01	ADJUSTMENT, CENTRIFUGAL	1
5-13	QJ168QDJ.05.02-03	BLOCK, CENTRIFUGAL	2
5-14	QJ168QDJ.05.02-02	PIN	2
5-15	QJ168QDJ.05-08	SPACER 3	1
5-16	QJ168QDJ.05-02	COVER, PUSH ROD	1
5-17	JF168FJH-7.03-01	SPRING 1,TENSION	1
5-18	GB/T5789-1986	BOLT	2
5-19	JF168FJH-7.03.01	HANDLE ASSY	1
5-20	GB/T5789-1986	BOLT	1

ENGINE FIG. 6 STARTING SETS



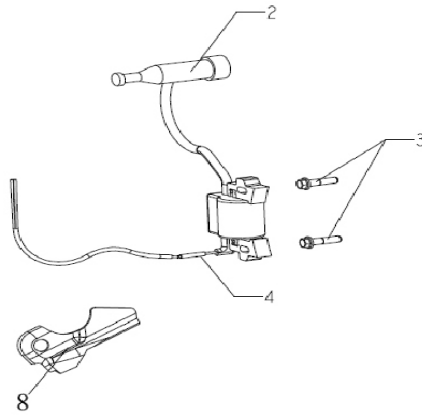
STARTING SETS			
REF NO.	PART NO.	DESCRIPTION	QTY
6-1	QJ168QDJ.06-05	SCREW	1
6-2	QJ168QDJ.06-06	CIRCLIP	1
6-3	QJ168QDJ.06-04	PLATE GUIDE	1
6-4	QJ168QDJ.06-01	BLOCK CLUTCH	2
6-5	QJ168QDJ.06-02	SPRING, PRESSURE	2
6-6	QJ168QDJ.06-03	TABLE, ROTARY	1
6-7	QJ168QDJ.06-07	SPRING, TURBINATION	1
6-8	GB/T5789-1986	BOLT	3
6-9	QJ168QDJ.06.01	COVER, STARTING	1
6-10	QJ168QDJ.06-08	ROPE, STARTING	1
6-11	QJ168QDJ.06-09	HANDLE	1
6-12	JF168FJH-5.03.02.01	COWLING	1
6-13	GB/T5789-1986	BOLT	6
6-14	JF168FJH-5.03.01.01	PLATE 1 DIVERSION	1
6-15	GB/T5789-1986	BOLT	1
6-16	QJ168QDJ.06.02-01	PLATE 2 DIVERSION	1
6-17	JF168FLH-M.06	START PULLING PLATE SETS	1

ENGINE FIG. 7 AIR CLEANER ASSY.



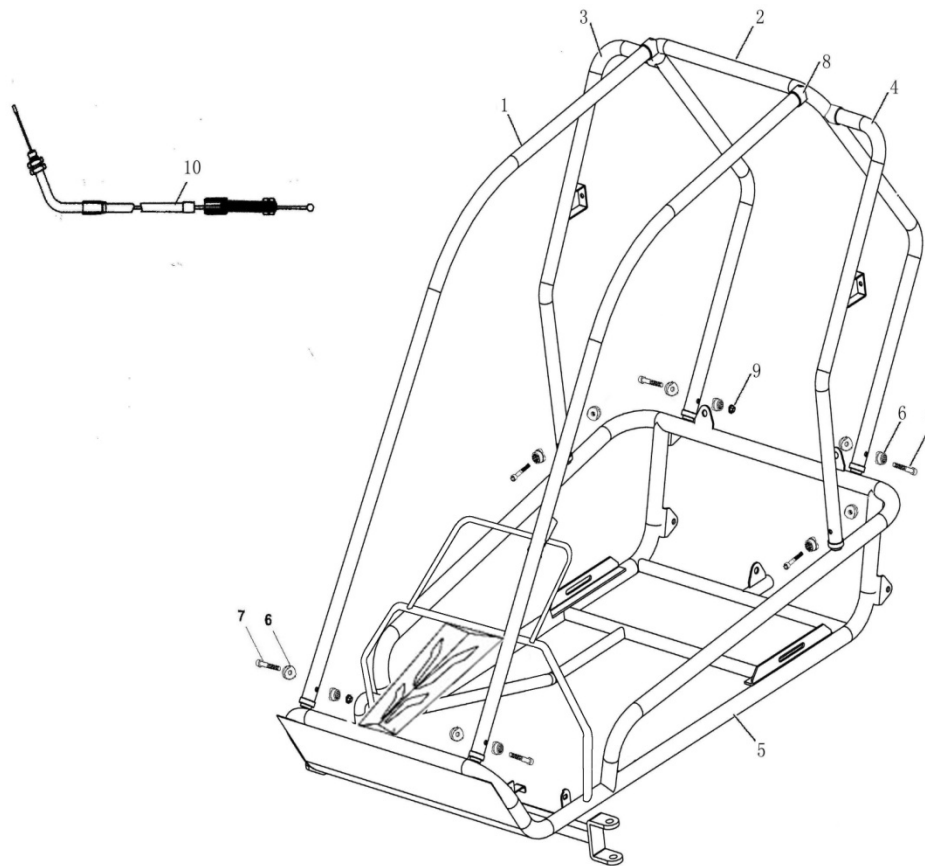
AIR CLEANER ASSY.			
REF NO.	PART NO.	DESCRIPTION	QTY
7-1	GB62-88	NUT	2
7-2	QJ168QDJ.07-04B	COVER, FILTERING	1
7-3	ZJ168FJH.07.01.01-02	SEAL	1
7-4	ZJ168FJH.07.01.01	CORE, FILTERING	1
7-5	ZJ168FJH.07.01-02	BRACKET, FILTERING	1
7-6	ZJ168FJH.07.01-03	SEAL	1
7-7	QJ168QDJ.07.01	COVER, UPPER BODY	1
7-8	QJ168QDJ.07.03	SEAL, AIR CLEANER	1
7-9	QJ168QDJ.07-01	COLLOID PIPE	1
7-10	QJ168QDJ.07B	AIR CLEANER ASSY	1
7-11	QJ168QDL.05	MUFFLER ASSY	1
7-12	JF168QDL.06B	CARBURETOR ASSY	1
7-13	JF168FLH-8B.09-01	BRACKET, CHOKE CABLE COMP	1

ENGINE FIG. 8 IGNITION SWITCH ASSY.



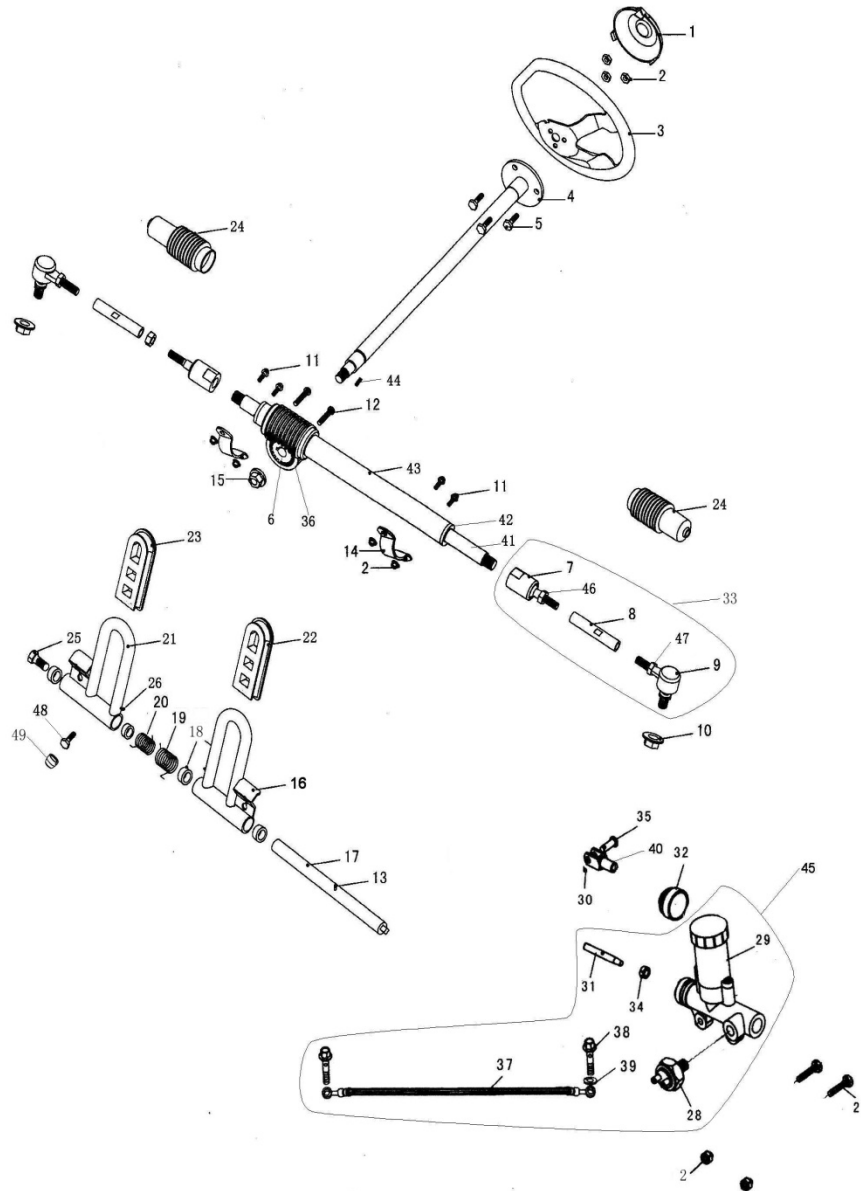
IGNITION SWITCH ASSY.			
REF NO.	PART NO.	DESCRIPTION	QTY
8-2	QJ168QDJ.11.03	IGNITION COIL ASSY	1
8-3	GB/T5789-1986	BOLT M6X25	2
8-4	JF168FJH-8B.06.02	CONNECTING WIRE ASSY	1
8-8	JF168FJH-5.01-01	WIRE, FIXED BOARD	1

FIG. 17 FRAME GROUP



FRAME GROUP			
REF NO.	PART NO.	DESCRIPTION	QTY
17-1	6.160.300	C.B.C.BARCAGE.(R.S.B)	2
17-2	8.170.054	C.B.C.CUSTOMCROSS BARTOP.RR(R.S.B)	2
17-3	7.170.055R	C.B.C.CUSTOM J-BAR.RSIDE(R.S.B)	1
17-4	7.170.055L	C.B.C.CUSTOM J-BAR.LSIDE(R.S.B)	1
17-5	2.100.054	FRAME COMP.(R.S.B)	1
17-6	8.010.047	R- WASHER	12
17-7	GB5787	BOLT M8X40	10
17-8	7.110.018	TUBE SEAT 28	4
17-9	GB6187	NUT M8	6
17-10	6.000.317	THROTTLE CABLE COMP.	1

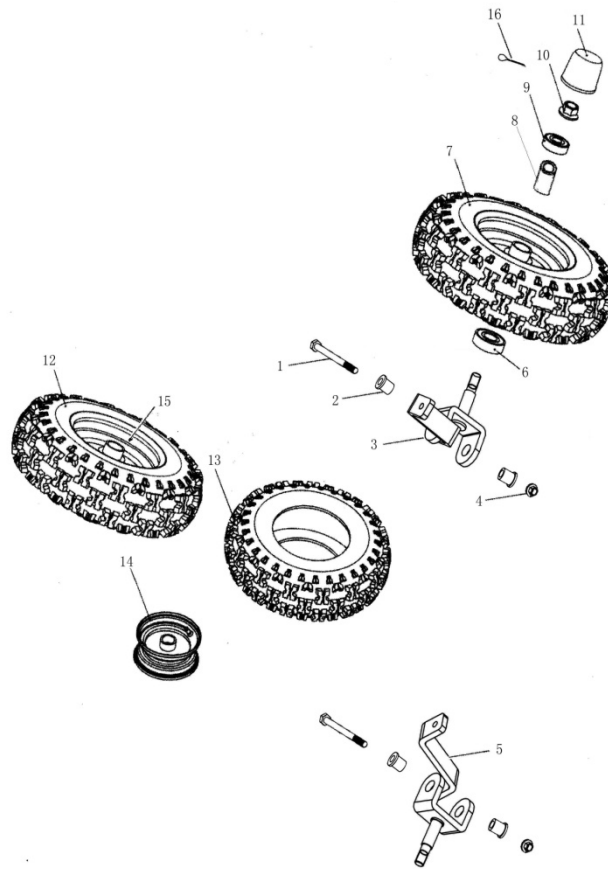
FIG. 18 STEERING SHAFT ASSY.



STEERING SHAFT ASSY.			
REF NO.	PART NO.	DESCRIPTION	QTY
18-1	7.010.056	STEERING BOLT COVER	1
18-2	GB6187	LOCKING NUT M6	9
18-3	7.020.057	STEERING WHEEL	4
18-4	6.100.023	STEERING-SHAFT	1
18-5	GB5783	BOLT M6 X16	3
18-6	8.010.131	STEERING GEAR	1
18-7	6.000.180	STEERING BALL JOINT	2
18-8	8.110.135-80A	TIE ROD	2
18-9	6.000.181	ROD END	2

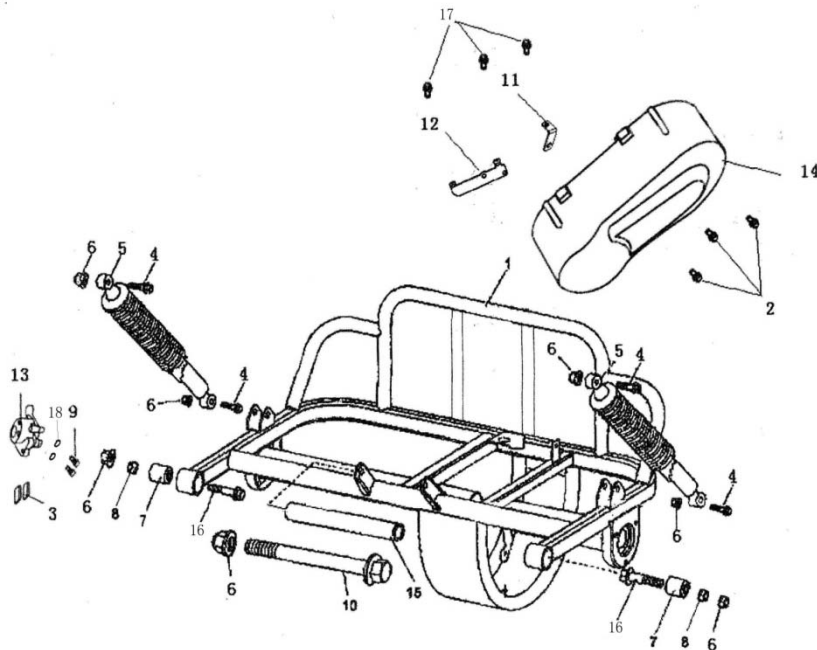
18-10	GB6187	NUT M8	2
18-11	GB5787	BOLT M6 X20	4
18-12	GB818	BOLT M5 X12	2
18-13	9.500.008	ROLL PIN ϕ 3 X 20	1
18-14	8.020.130	STEERING GEAR BRACKET(R.S.B)	2
18-15	9.820.010	LOCKING NYLON NUT M10	1
18-16	4.000.044	BRALE PEDAL COMP.	1
18-17	8.010.123	PEDAL BOLT	1
18-18	7.010.004	PEDAL BUSH	4
18-19	8.040.011	BRAKE PEDAL RETURN SPRING,R	1
18-20	8.040.010	THROTTLE PEDAL RETURN SPRING,L	1
18-21	9.500.218	THROTTLE PEDAL COMP	1
18-22	7.020.043	BRAKE PEDAL PAD	1
18-23	7.020.044	THROTTLE PEDAL PAD	1
18-24	7.020.059	STEERING BALL JOINT DUST COVER	2
18-25	GB70	BLOT M8X16	1
18-26	9.500.007	ROLL PIN ϕ 3 X 16	2
18-27	GB5783	BOLT M6X25	2
18-28	6.000.304	FLAT WASHER ϕ 6	1
18-29	6.000.305	MASTER CYLIND ER	1
18-30	9.500.130	COTTER PIN	1
18-31	6.000.306	CYIINDER ROD	1
18-32	7.020.076	DUST COVER	1
18-33	8.000.002-80A	TIE ROD ASSY	2
18-34	GB6170	NUT M6	1
18-35	9.700.628	LOCKING ROLL PIN	1
18-36	4.010.001	CONNECTING DEVICE	1
18-37	6.000.010	BRAKE HOSE ASSY	1
18-38	9.700.004	BOLT M10X24	2
18-39	9.300.010	WASHER ϕ 10	4
18-40	8.020.224	CYIINDER ROD BRACKET	1
18-41	8.010.132	GEAR AXLE	1
18-42	7.010.007	STEERING GEAR BUSH	2
18-43	8.010.115	CONNECTING PIPE	1
18-44	8.010.082	KEY 4X4X12	1
18-45	6.000.000	HYDRAULIC BRAKE ASSY.	1
18-46	GB6170	NUT M6	2
18-47	GB6170	NUT M6(L)	2
18-48	GB5782	BOLT M8X50	1
18-49	7.010.022	RUBBER FOOT PEDAL STOP	1

FIG. 19 SUSPENSION ARM ASSY.



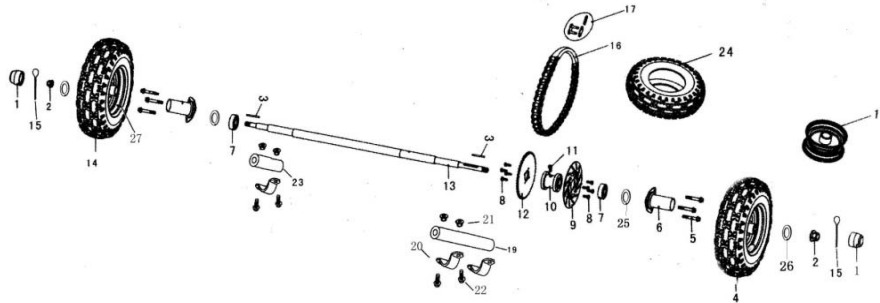
SUSPENSION ARM ASSY.			
REF NO.	PART NO.	DESCRIPTION	QTY
19-1	GB5787	FLANGE BOLOT M8 X 1.25 X 100	2
19-2	58001	UPPER SUSPENSION ARM BUSH	4
19-3	2.100.055-80A	FIXER FR.LH.HUB	1
19-4	GB6187	FLANGE BOLT M8	2
19-5	2.100.057-80A	FIXER FR.RH.HUB	1
19-6	6202-2RS	BEARING 6202-2RS	2
19-7	6.100.169	FRONT WHEEL ASS Y.	1
19-8	8.010.084	COLLAR	2
19-9	6201-2RS	BEARING 6201	2
19-10	9.800.012	NUT M12	2
19-11	7.020.039	HUB COVER FR	2
19-12	6.100.169	FRONT WHEEL ASSY.	1
19-13	6.000.175	TIRE,FR 13X3.5-6	2
19-14	6.000.182-50	RIM,FR	2
19-15	7.190.018	AIR VALVE	2
19-16	9.500.230	COTTER PIN ϕ 2.5X30	2

FIG. 20 REAR SWING ARM



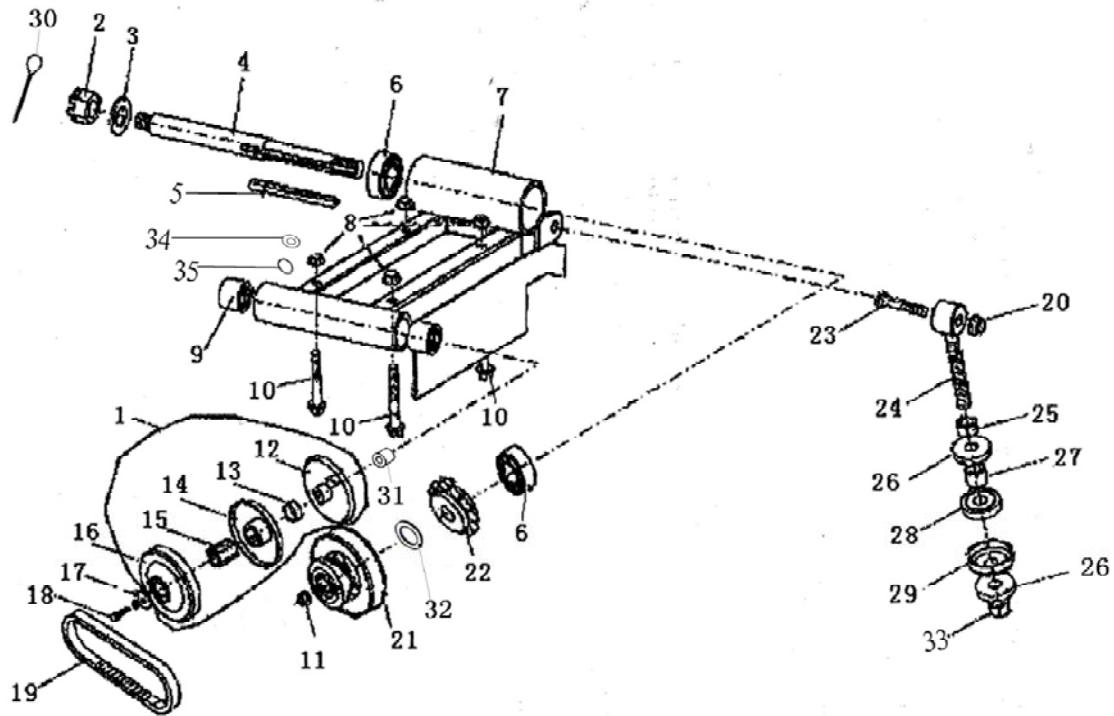
REAR SWING ARM			
REF NO.	PART NO.	DESCRIPTION	QTY
20-1	4.000.045	REAR SWING ARM	1
20-2	GB5789	FLANGE LOCKING NUT M6X12	3
20-3	7.020.016	RR. BRAKE PAD SET	1
20-4	GB5789	FLANGE LOCKING BOLT M10X1.25X40	4
20-5	6.000.322-80A	CUSHION ASSY. RR.	2
20-6	GB6187	LOCKING NUT M10X1.25	7
20-7	7.020.077	BUSHING, SWING ARM ISOLATOR	2
20-8	GB6170	NUT M10X1.25	2
20-9	GB70	BOLT M8X12	1
20-10	9.110.180	BOLT M10X1.25X180	1
20-11	7.100.001	DRIVE COVER PLASTIC BRACKET	1
20-12	7.100.002	DRIVE COVER PLASTIC BRACKET	1
20-13	6.000.028	RR. CALIPER ASSY.	1
20-14	8.110.021	DRIVE COVER PLASTIC	1
20-15	8.146.066	SPANNER	1
20-16	GB5789	FLANGE LOCKING M10X1.25X68	2
20-17	GB5789	FLANGE LOCKING M8X16	3
20-18	GB93	SPRING WASHER φ8	2

FIG. 21 REAR HOUSING



REAR HOUSING			
REF NO.	PART NO.	DESCRIPTION	QTY
21-1	7.020.039	HUB COVER,RR	2
21-2	9.800.016	CASTLE NUT M16	2
21-3	GB96	WASHER Φ 16	2
21-4	6.200.315	REAR WHEEL ASSY R.	1
21-5	GB5789	FLANGE BOLT M8 X1.25X16	6
21-6	6.000.196	AXLE COVER	1
21-7	6005-2RS	BEARING,6005	2
21-8	GB70	FLANGE BOLT M8X20	8
21-9	8.010.201	DISC BRAKE,RR	1
21-10	8.010.202	REAR AXLE HUB	1
21-11	9.110.010	BOLT M10X1.25X25	1
21-12	8.010.200	REAR SPROCKET	1
21-13	8.010.199	REAR AXLE	1
21-14	6.200.316	REAR WHEEL ASS Y.L	1
21-15	9.500.330	COTTER PIN 3X40	2
21-16	7.060.016	DRIVE CHAIN	1
21-17	6.000.324	MASTER LINK	1
21-18	6.200.333-80A	RIM,RR	2
21-19	9.010.012	PROTECTOR 2	1
21-20	8.020.014	BRACKET,STEERING GEAR	3
21-21	GB6187	LOCKING FLANGE NUT.M8	6
21-22	GB5789	BOLT M8X25	6
21-23	9.010.011	PROTECTOR 1	1
21-24	6.100.311	TIRE,RR 16X6-8	2
21-25	7.090.001	WASHER Φ 45X35.5X2	2
21-26	GB96	WASHER Φ 16	2
21-27	7.190.018	AIR VALVE	2

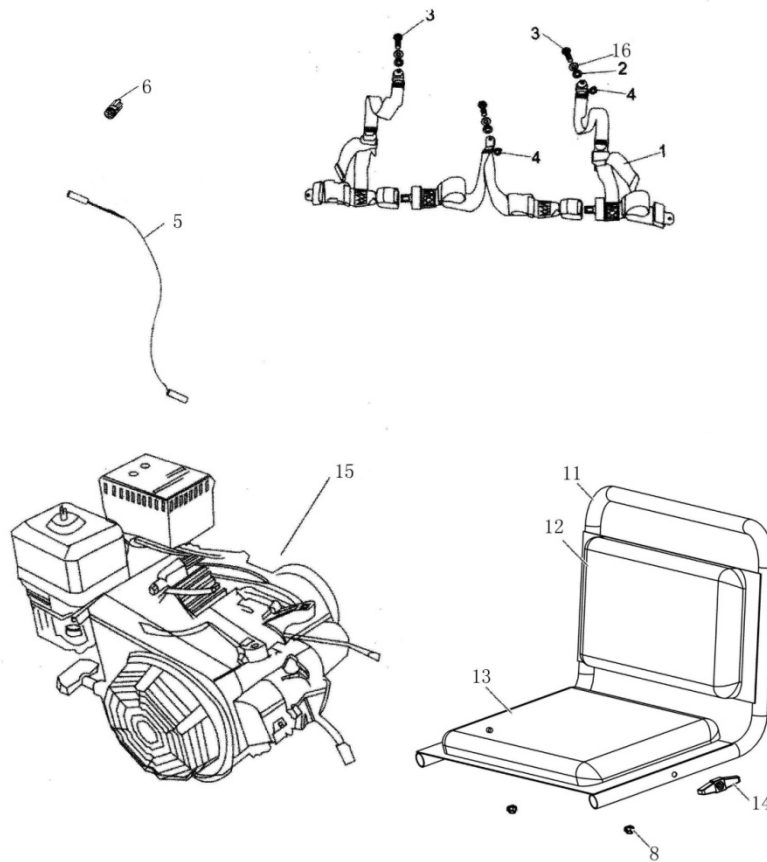
FIG. 22 CLUTCH ASSY.



CLUTCH ASSY.			
REF NO.	PART NO.	DESCRIPTION	QTY
22-1	9.500.001	FRONT CLUTCH 80T	1
22-2	9.800.014	CASTLE NUT M14X1.5	1
22-3	GB95	WASHER ϕ 14	1
22-4	8.011.057	SHAFT, SPROCKET & DRIVE PULLEY	1
22-5	8.010.027	KEY 5X5X85	1
22-6	6004-2RS	BEARING 6004	2
22-7	8.000.001	ENGINE MOUNTING PLATE-METALLIC	1
22-8	GB6187	FLANGE LOCKING NUT M8	4
22-9	7.020.077	BUSHING	2

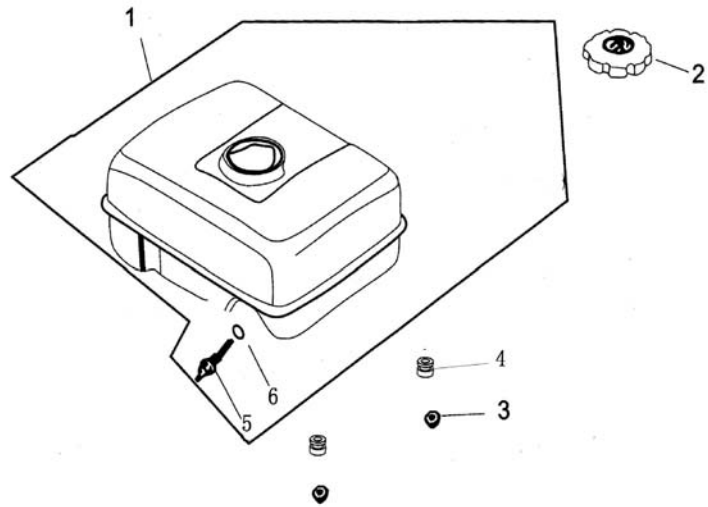
22-10	GB5787	BOLT M8X55	4
22-11	GB6187	LOCKING NUT M16X1.5	2
22-12	8.146.098	SHEAVE, STATIONARY	1
22-13	8.146.099	BUSHING	1
22-14	8.147.000	SHEAVE, MOVEABLE	1
22-15	8.147.001	HUB	1
22-16	8.147.002	DRUM	1
22-17	9.300.008	BUSHING BOLCK	1
22-18	GB5787	BOLT, M8X40	1
22-19	9.100.018	BELT	1
22-20	GB6187	FLANGE LOCKING NUT M10X1.25	2
22-21	9.500.010	DRIVEN PULLEY	1
22-22	8.011.077	SPROCKET, 10T DRIVEN	1
22-23	GB5789	BOLT M10X1.25X40	1
22-24	8.147.008	CHAIN ADJUSTER	1
22-25	GB6170	NUT M12X1.25	1
22-26	8.010.042	WASHER-CHAIN ADJUSTER(ϕ 12X ϕ 35X6)	2
22-27	8.010.041	BUSHING-CHAIN ADJUSTER	1
22-28	7.020.001	CAP WASHER-CHAIN ADJUSTER	1
22-29	8.020.045	BOTTOM CAP WASHER-CHAIN ADJUSTER	1
22-30	9.500.330	COTTER PIN ϕ 3X30	1
22-31	8.010.094	COLLAR ϕ 30X ϕ 20X12.5	1
22-32	8.020.235	WASHER - DRIVEN PULLEY	1
22-33	GB6187 M12	NUT M12X1.25	1
22-34	GB97 ϕ 8	WASHER ϕ 8	4
22-35	GB93 ϕ 8	SPRING WASHER ϕ 8	4

FIG. 23 WIRE HARNESS/ELECTRICAL/SEAT/ENGINE



WIRE HARNESS / ELECTRICAL / SEAT / ENGINE			
REF NO.	PART NO.	DESCRIPTION	QTY
23-1	6.000.328	SAFETY BELT	1
23-2	9.700.002	BELT WASHER 12	3
23-3	9.700.001	SPECIAL BOLT M7/16 X28	3
23-4	9.700.003	BELT NUT M7/16	3
23-5	7.110.076	WIRE HARNESS	1
23-6	6.000.164	ENGINE STOP BUTTON	1
23-11	6.110.001	SEAT SUPPORT	1
23-12	6.100.330	SEAT BACK	1
23-13	6.100.331	SEAT COMP	1
23-14	6.100.332	SEAT NUT	2
23-15	7.160.012	ENGINE COMP.	1
23-16	7.060.022	LOCKING WASHER	3

FIG. 24 FUEL TANK COMP.



FUEL TANK COMP.			
REF NO.	PART NO.	DESCRIPTION	QTY
24-1	JF168-N-01	FUEL TANK COMP	1
24-2	JF168-N-02	CAP, FUEL TANK	1
24-3	JF168-N-03	NUT M6	2
24-4	7.020.005	WASHER	2
24-5	JF168-N-08	FUEL TANK JOINT	1
24-6	JF168-N-09	O-RING(14MM)	1

FIG. 25 WARNING STICKERS



WARNING STICKERS			
REF NO.	PART NO.	DESCRIPTION	QTY
25-1	14-1201-00	LABEL SEAT BELT	1
25-2	14-1202-00	LABEL NO CLIMBING	1
25-3	14-1203-00	LABEL WARNING OPERATION	1
25-4	14-1204-00	LABEL CHAIN GUARD	1
25-5	14-1205-00	LABEL NO LONG HAIR	1
25-6	14-1206-80	LABEL AGE	1