



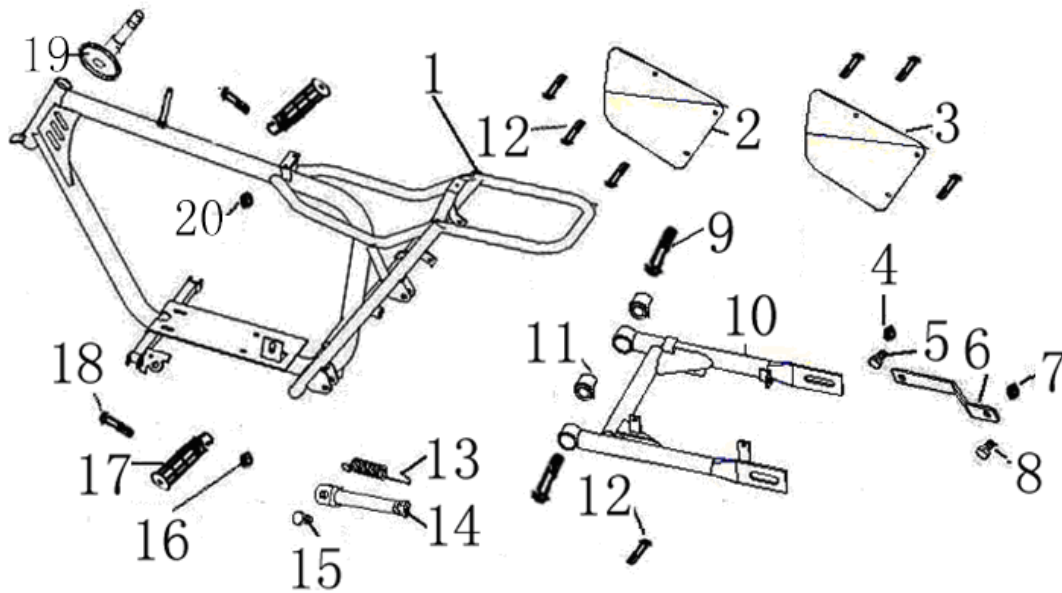
MINI BIKE-2

Torque Converter

VERSION 1.0

2015-06-27

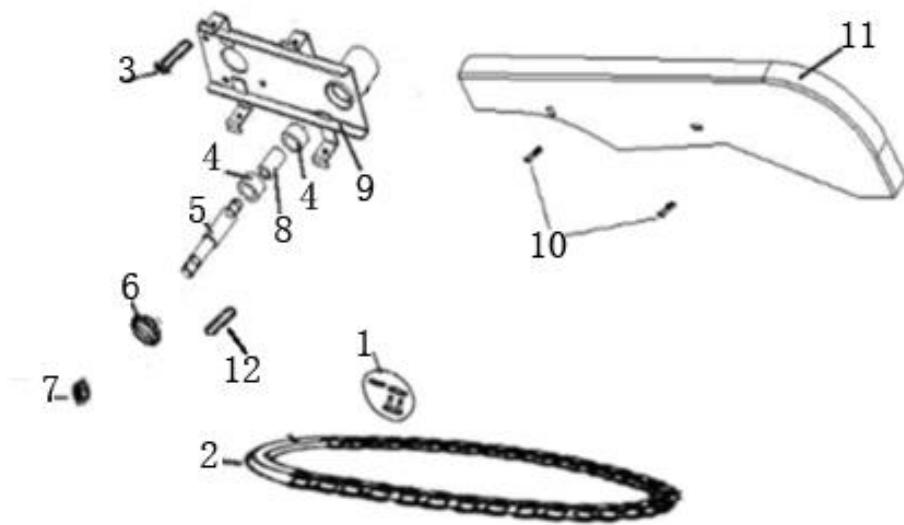
FIG. 1 FRAME GROUP



NO.	CODE	DESCRIPTION	QTY.
1	57100-PL	FRAME BODY COMP.	1
2	58001-PL	DUMMY PLATE. L	1
3	58002-PL	DUMMY PLATE. R	1
4	618710000125	LOCKING NUT M10x1.25	3
5	578910020125	FLANGE BOLT M10X1.25X20	1
6	58004-L	RR. BRAKE CONNECTING ROD	1
7	618708000125	LOCKING NUT M8x1.25	1
8	58007-L	STEPS BOLT M8 (RR. BRAKE CONNECTING ROD)	1
9	578910060125	FLANGE BOLT M10*1.25*60	2
10	58210-PL	REAR SWING ARM	1
11	7.020.077	SHOCK ABSORBING BUSHING φ10*φ30*30/35	2
12	578906016125	FLANGE BOLT M8X1.25X16	6
13	58401-L	SIDE STAND SPRING	1
14	58410--PL	SIDE STAND	1
15	58402-L	SIDE STAND BOLT	1
16	618706000000	LOCKING NUT M6	2
17	58510-L	PEDAL	2
18	578906035100	FLANGE BOLT M6X35	2
19	58310-PL	DUMMY FUEL TANK BRACKET	1
20	617008000125	NUT M8	1

Parts available online at www.GoPowerSports.com

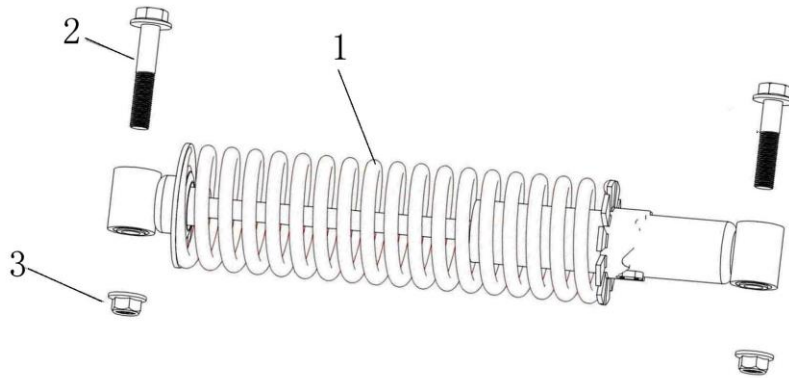
FIG. 2 DRIVE ASSY



NO.	CODE	DESCRIPTION	QTY.
1	420-10	420 CHAIN MASTER LINK	1
2	420-104	DRIVE CHAIN 420-104	1
3	578908016125	FLANGE BOLT M8X1.25X16	4
4	6003-2RS	BEARING 6003-2RS	2
5	10101-PL1	TRANSITIONAL SHAFT	1
6	8011077080G000	OUTPUT GEAR-10T-420	1
7	618716000150	LOCKING NUT M16X1.5	1
8	58202-L	TRANSITIONAL SHAFT BEARING BUSHING 22X17.2-43	1
9	58200-PL	TRANSITIONAL SHAFT BRACKET	1
10	578906012100	FLANGE BOLT M6X12	2
11	58003-PL	CHAIN COVER	1
12	58209-PL1	KEY 5X5-70	1

Parts available online at www.GoPowerSports.com

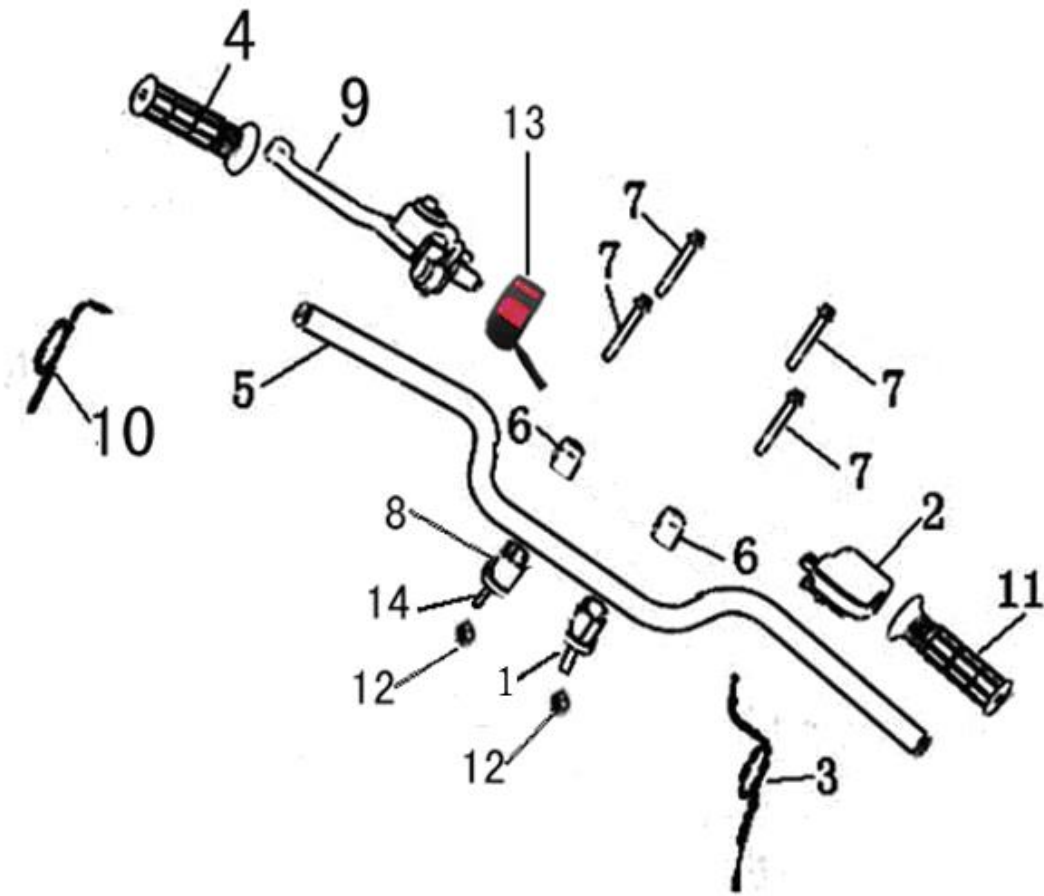
FIG.3 REAR SHOCK ASSY.



NO.	CODE	DESCRIPTION	QTY.
1	63100-PL	SHOCK ABSORBER ASSY. RR	2
2	578710040125	FLANGE BOLT M10*1.25*40	4
3	618710000125	LOCKING NUT M10X1.25	4

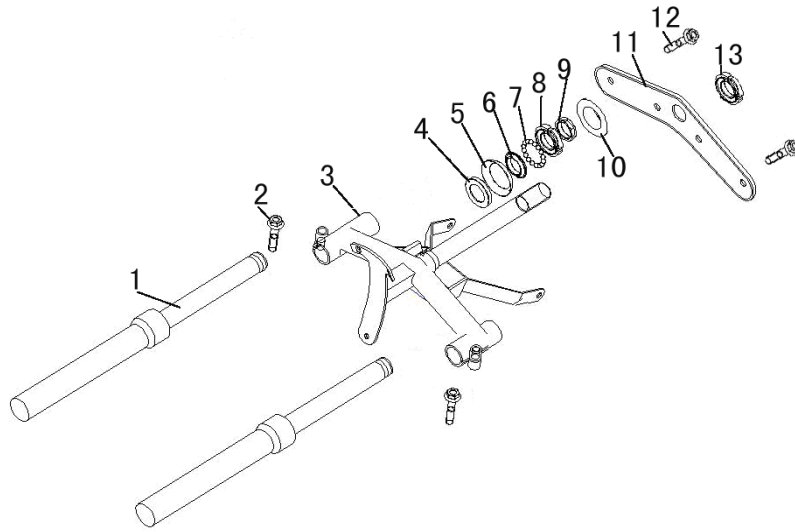


FIG.4 HANDLE BAR ASSY.



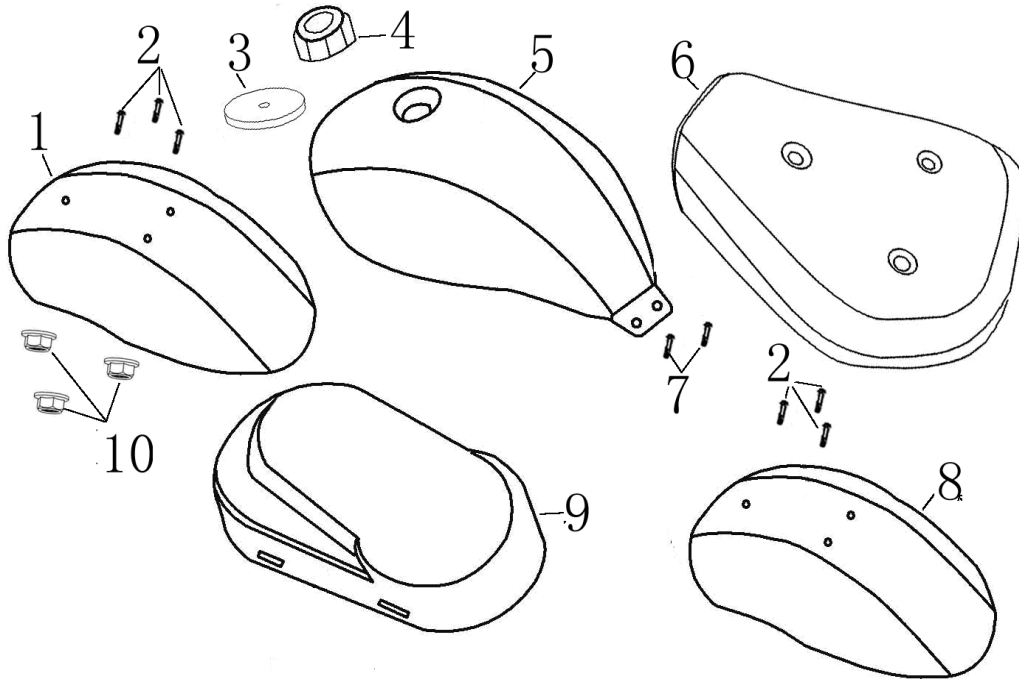
NO.	CODE	DESCRIPTION	QTY.
1	578108030125	BOLT M10X27X1.25	1
2	40510-L	THROTTLE BRAK CET COMP.	1
3	60120-L	THROTTLE CABLE COMP.	1
4	58193-N	GRIP L.	1
5	40101-L	HANDLE BAR	2
6	43014-L	HANDLE BAR UPPER FIXED SEAT	4
7	578708030125	FLANGE BOLT M8X30	2
8	43015-L	HANDLEBAR LOWER FIXED SEAT	1
9	40090-L	BRAKE LEVER	1
10	40270-L	BRAKE CABLE	1
11	40520-L	GRIP R.	2
12	618710000125	LOCKING NUT M10*1.25	1
13	40600-L	ENGINE STOP BUTTON	2

FIG.5 FRONT FORK ASSY



NO.	CODE	DESCRIPTION	QTY.
1	40320-PL	SHOCK ABSORBER ASSY. FR	2
2	578710035125	FLANGE BOLT M10X1.25X35	2
3	43100-PL	FRONT FORK WELDING COMP.	1
4	43004-L	LOWER BEARING STEEL BOWL	1
5	43003-L	LOWER BEARING PROCURED BOWL	1
6	43002-L	UPPER BEARING STEEL BOWL	1
7	43005-L	BALL BEARING	2
8	43001-L	UPPER BEARING PROCURED BOWL	1
9	43008-L	FRONT FORK BOLT M25*1	1
10	58001-L	STEERING SHAFT WASHER	1
11	43102-L	CONNECTING PLATE	4
12	43021-PL	FLANGE BOLT M12x1.25x12	2
13	43008-L	FRONT FORK BOLT M25*1	1

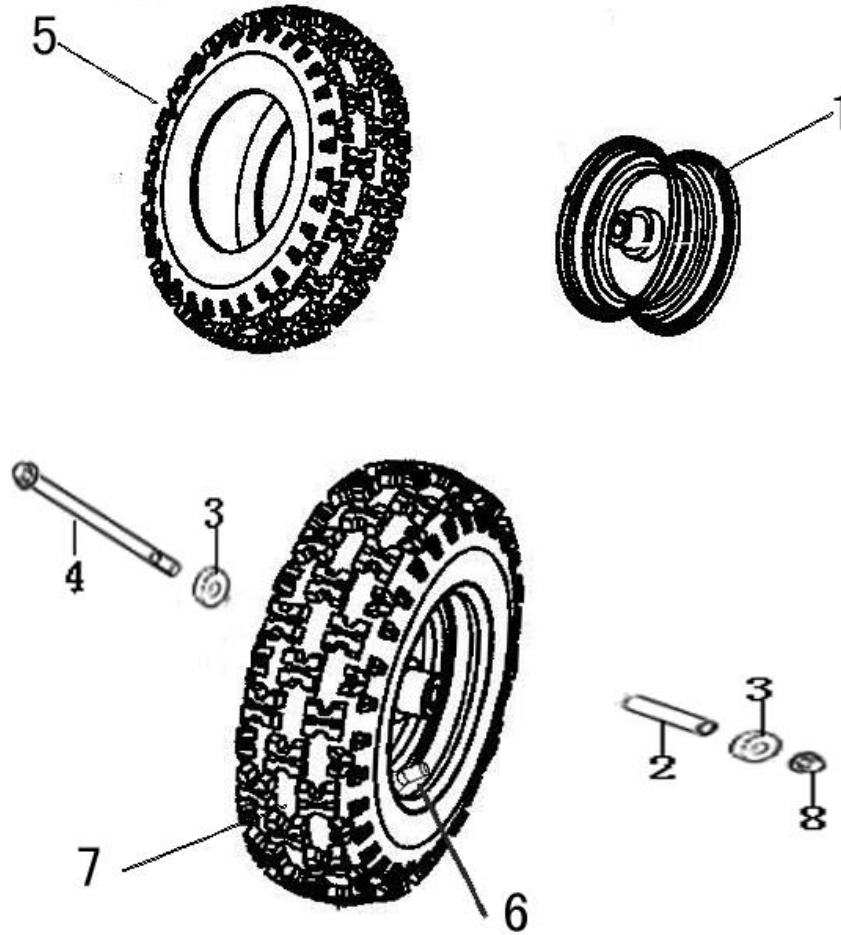
FIG.6 COVER, SEAT



NO.	CODE	DESCRIPTION	QTY.
1	65001-PL	FRONT FENDER (PLASTIC)	1
2	578906016100	FLANGE BOLT M6X16	6
3	65005-PL	DUMMY FUEL TANK CAP WASHER	1
4	65002-PL	DUMMY FUEL TANK CAP	1
5	65003-PL	DUMMY FUEL TANK	1
6	51000-PL	SEAT COMP.	1
7	578706012100	FLANGE BOLT M6X12	2
8	65001-PL	REAR FENDER (PLASTIC)	1
9	65008-PL	CLUTCH COVER	1
10	617706000100	FLANGE NUT M6	7

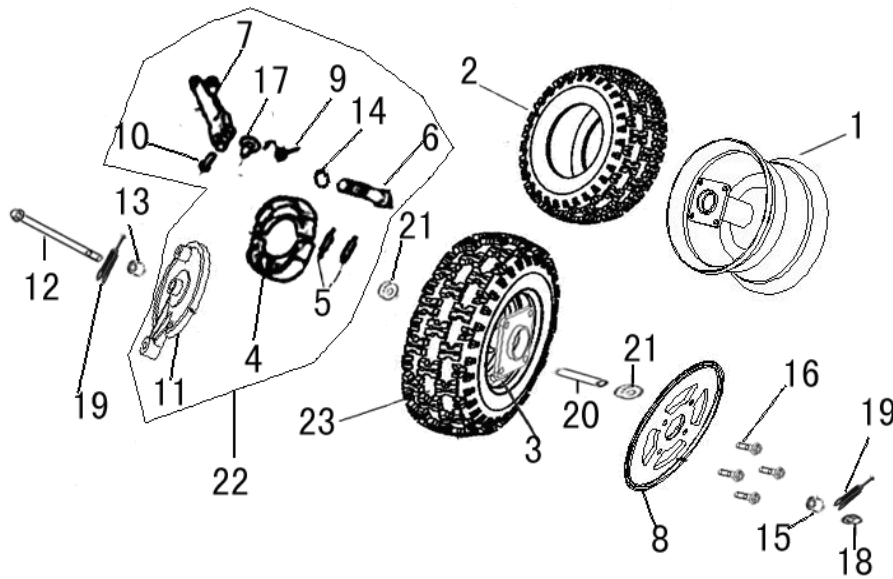


FIG.7 FRONT WHEEL



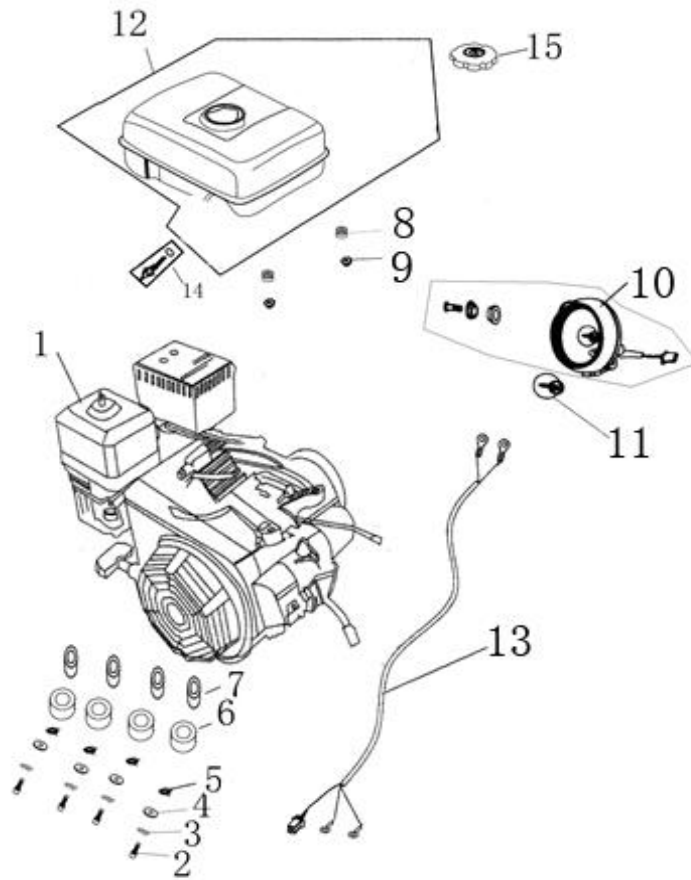
NO.	CODE	DESCRIPTION	QTY.
1	44110-L	FRONT RIM	1
2	44002-L	FRONT SPACER BUSHING	1
3	6202-2RS	BEARING 6202-2RS	2
4	44001-L	FRONT AXLE M14x1.5x310	1
5	44003-L	FRONT TIRE 19x7-8	1
6	44010-L	AIR VALVE	1
7	44100-L	FRONT WHEEL ASSY	1
8	618714000150	LOCKING NUT M14*1.5	1

FIG.8 REAR WHEEL



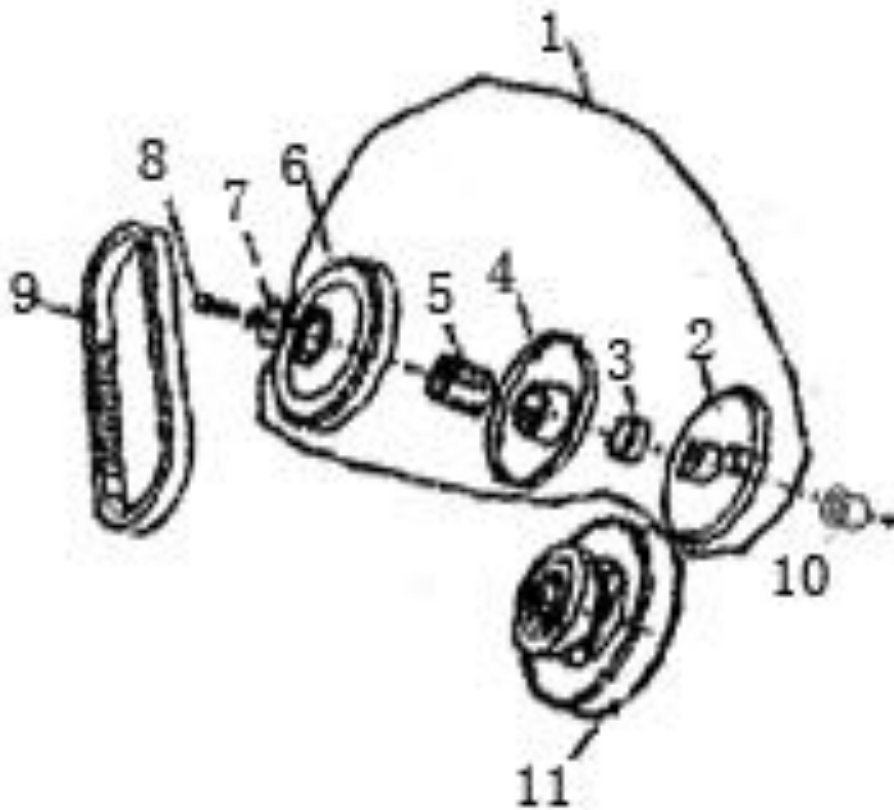
NO.	CODE	DESCRIPTION	QTY.
1	54110-L	REAR RIM	1
2	44003-L	REAR TIRE 19x7-8	1
3	44010-L	AIR VALVE	1
4	54210-L	BRAKE CALIPER PAD SET	1
5	54002-L	BRAKE CALIPER PAD SET TENSION SPRING	2
6	54003-L	REAR BRAKE CAMSHAFT	1
7	54007-L	REAR BRAKE ARM	1
8	54006-L	GEAR-38T-420	1
9	54008-L	REAR BRAKE RETURN SPRING	1
10	08012-L	REAR BRAKE ARM ERECTION BOLT M6X35	1
11	54220-L	REAR BRAKE HUB CAP	1
12	54001-L	REAR AXLE M14X1.5-330	1
13	54004-PL	REAR WHEEL SPACER BUSHING R Φ22xΦ16-47	1
14	54021-L	O-RING	1
15	54006-PL	REAR WHEEL SPACER BUSHING L Φ22xΦ16-36	1
16	578908025125	FLANGE BOLT M8X25	4
17	54009-L	REAR BRAKE ARM INDICATOR	1
18	618708000150	LOCKING NUT M14*1.5	1
19	54030-L	CHAIN ADJUSTER COMP.	2
20	54011-L	REAR WHEEL BEARING SPACER BUSHING	1
21	6202-2RS	BEARING 6202-2RS	2
22	54200-L	REAR DRUM BRAKE COMP.	1
23	54100-L	REAR WHEEL ASSY.	1

FIG.9 ENGINE



NO.	CODE	DESCRIPTION	QTY.
1	10000-L	ENGINE COMP. JF168FLH-7D	1
2	578708055125	FLANGE BOLT M8x55	4
3	930008000000	LOCKING WASHER φ8	4
4	970008000000	FLAT WASHER φ8	4
5	618708000125	LOCKING NUT M8	4
6	10011-PL	ENGINE CUSHIONφ12xΦ30x20	4
7	10012-PL	ENGINE BUSHINGφ8.5xΦ12x20	4
8	50001-80	FUEL TANK CUSHION Φ10*Φ22*4	2
9	617706000100	FLANGE NUT M6	2
10	81100-L	HEADLIGHT COMP	1
11	81101-L	HEADLIGHT BULB	1
12	50100-L	FUEL TANK COMP.	1
13	80025-L	CABLE	1
14	JF168-N-08	FUEL TANK SWITCH	1
15	6.000.145-250	FUEL TANK CAP	1

FIG.10 CVT



NO.	CODE	DESCRIPTION	QTY.
1	9.500.001	FRONT CLUTCH 80T	1
2	8.146.098	SHEAVE, STATIONARY	1
3	8.146.099	BUSHING	1
4	8.147.000	SHEAVE, MOVEABLE	1
5	8.147.001	HUB	1
6	8.147.002	DRUM	1
7	9.300.008	BUSHING BOLCK	1
8	GB5787	BOLT, M8X40	1
9	9.100.018	BELT	1
10	8.010.094	COLLAR $\Phi 30 \times \Phi 20 \times 12.5$	1
11	9.500.010	DRIVEN PULLEY	1

FIG.11 WARNING STICKERS



NO.	CODE	DESCRIPTION	QTY.
1	90002-50L	LABEL.WARNING 1	1
2	90007-50L	LABEL.WARNING 2	1
3	90001-50L	LABEL.WARNING 3	1
4	90006-50L	LABEL.WARNING 4	1
5	90004-50L	LABEL.WARNING 5	1
6	90003-50L	LABEL.WARNING 6	1