



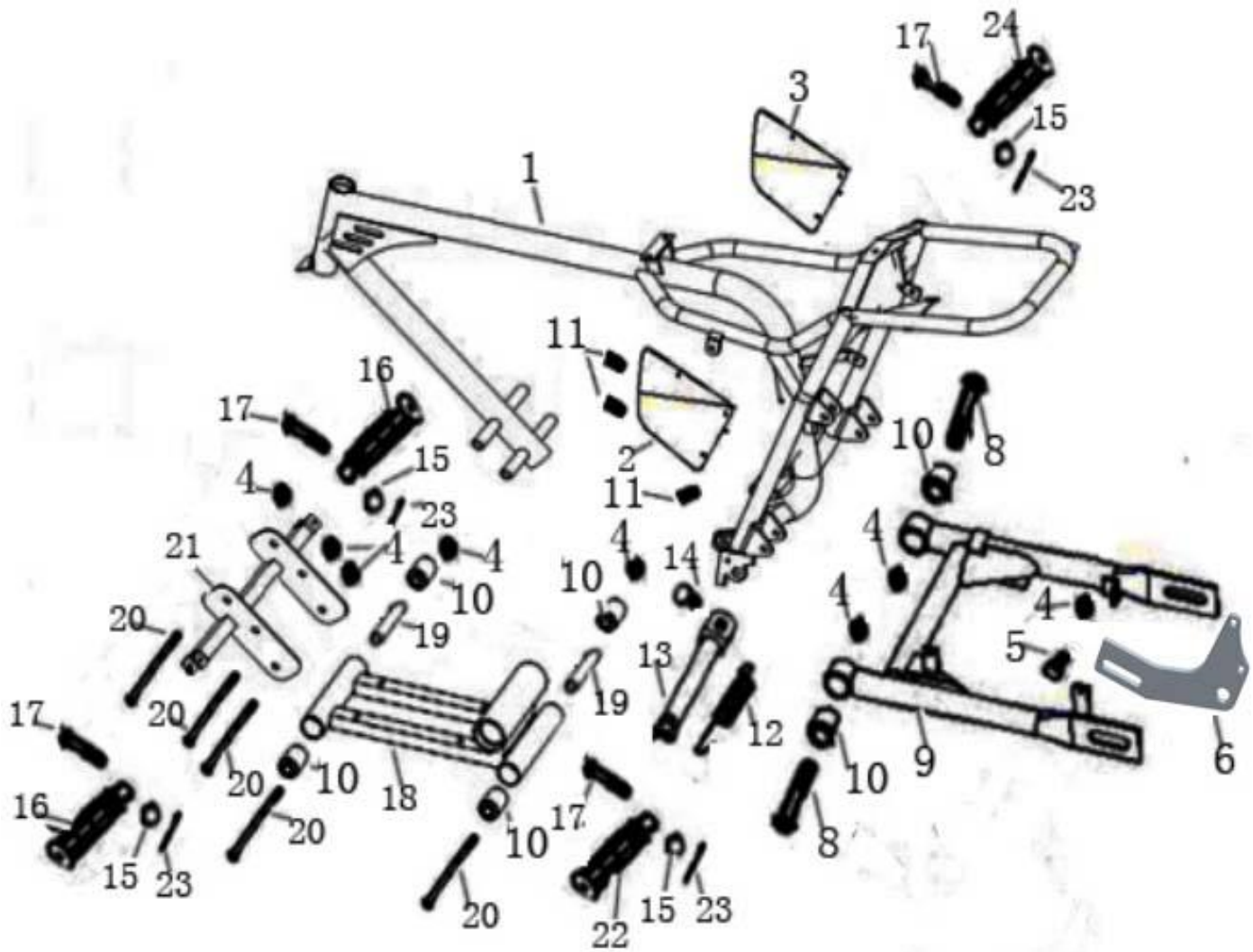
MINI BIKE PARTS MANUAL
(MB200-HB)



FRAME GROUP

FIG. 1-1

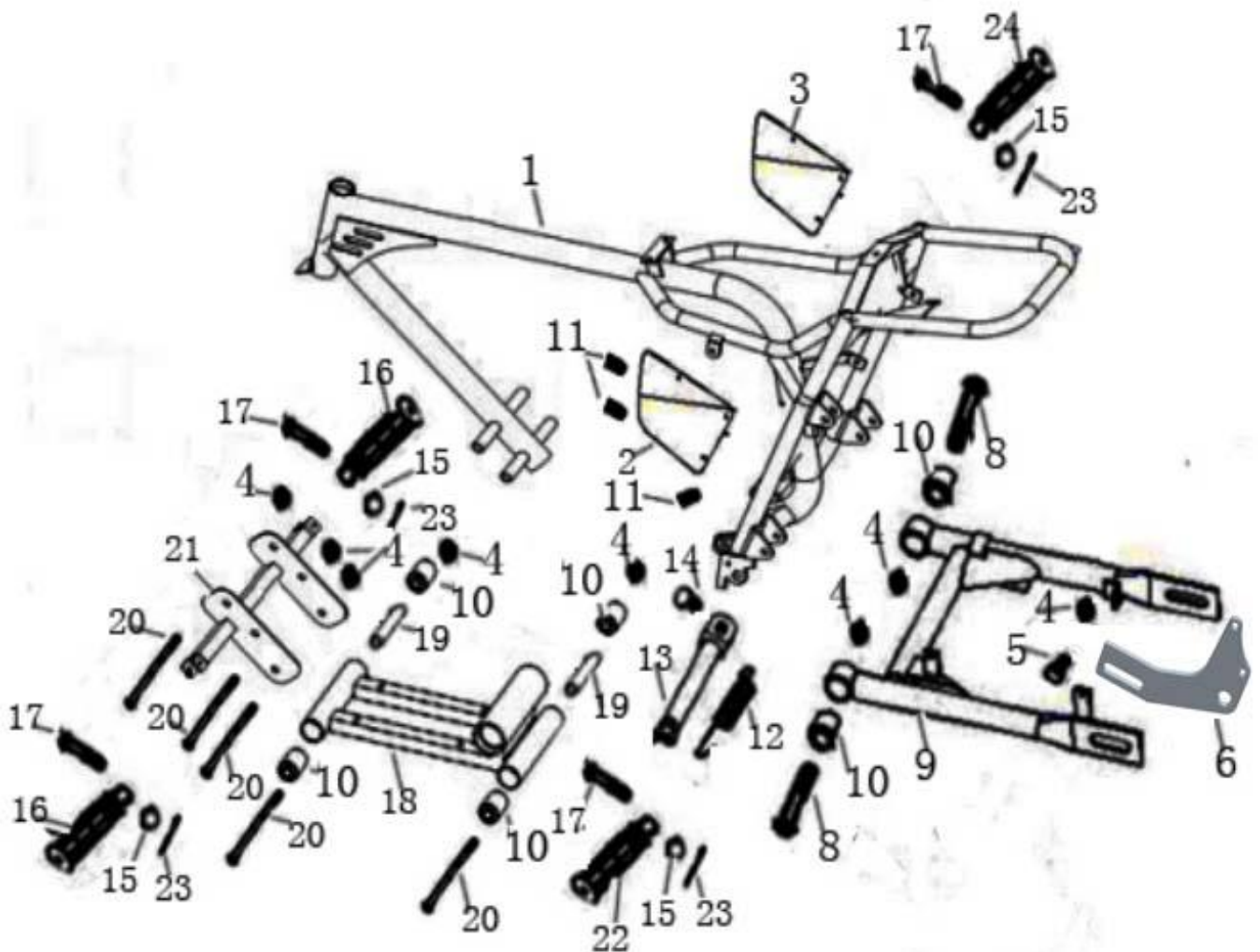
NO.	CODE	DESCRIPTION	QTY
1	57100-LB	FRAME BODY COMP.	1
2	58001-PL	DUMMY PLATE. L	1
3	58002-PL	DUMMY PLATE. R	1
4	618710000125	LOCKING NUT M10x1.25	7
5	578910020125	BOLT M10X1.25X20, GB5789	1
6	44105-YL	RR. BRAKE CONNECTING ROD	1
8	57891006012505	FLANGE BOLT M10*1.25*60	2
9	58210-PL	REAR SWING ARM	1
10	7.020.077	SHOCK ABSORBING BUSHING φ10*φ30*30/35	6
11	578906016125	FLANGE BOLT M6X16	6
12	58401-L	SIDE STAND SPRING	1



FRAME GROUP

FIG. 1-2

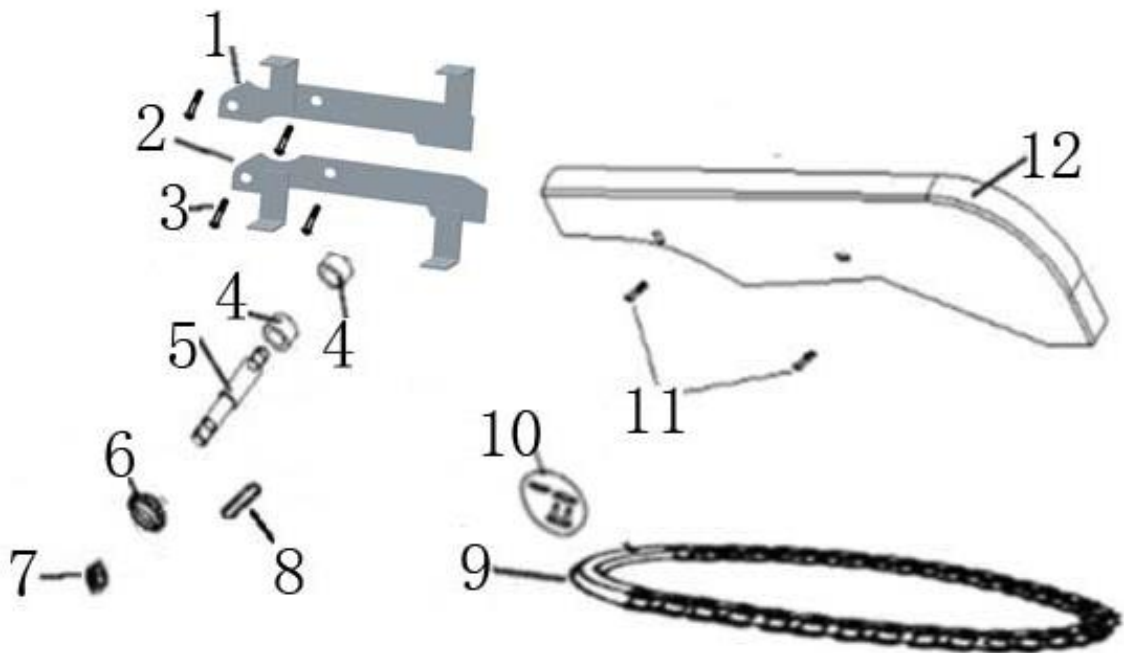
NO.	CODE	DESCRIPTION	QTY
13	58410--PL	SIDE STAND	1
14	58402-L	SIDE STAND BOLT	1
15	96000600000002	WASHER $\phi 6$, GB96	4
16	58510-L	PEDAL	2
17	88200060350002	PIN $\phi 6 \times 35$	4
18	58040-LB	ENGINE LIFTING BRACKET	1
19	58011-LA	ENGINE BRACKET SPACER	1
20	578910170125	FLANGE BOLT M10X1.25X170	4
21	58050-LA	ENGINE PYLON FIXED	1
22	58520-LB	PEDAL.RR.L	1
23	GB911502000002	COTTER PIN $\phi 1.5 \times 20$	4
24	58530-LB	PEDAL.RR.R	1



DRIVE ASSY

FIG. 2

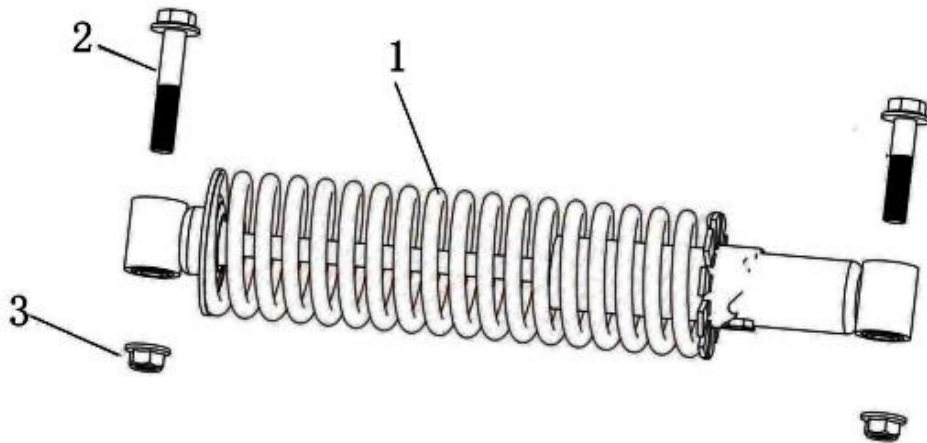
NO.	CODE	DESCRIPTION	QTY
1	58210-LB	CLUTCH COVER MOUNTING PLATE (UP)	1
2	58220-LB	CLUTCH COVER MOUNTING PLATE (DOWN)	1
3	578908016125	FLANGE BOLT M8X16	4
4	6004-2RS	BEARING 6004-2RS	2
5	8.011.057-LA	TRANSITIONAL SHAFT	1
6	8011077080G000	OUTPUT GEAR-10T-420	1
7	618716000150	LOCKING NUT M16X1.5	1
8	58209-PL1	KEY 5X5-70	1
9	420-104	DRIVE CHAIN 420-104	1
10	420-10	420 CHAIN MASTER LINK	1
11	578906012100	FLANGE BOLT M6X12	2
12	58003-PL	CHAIN COVER	1



REAR SHOCK ASSY.

FIG.3

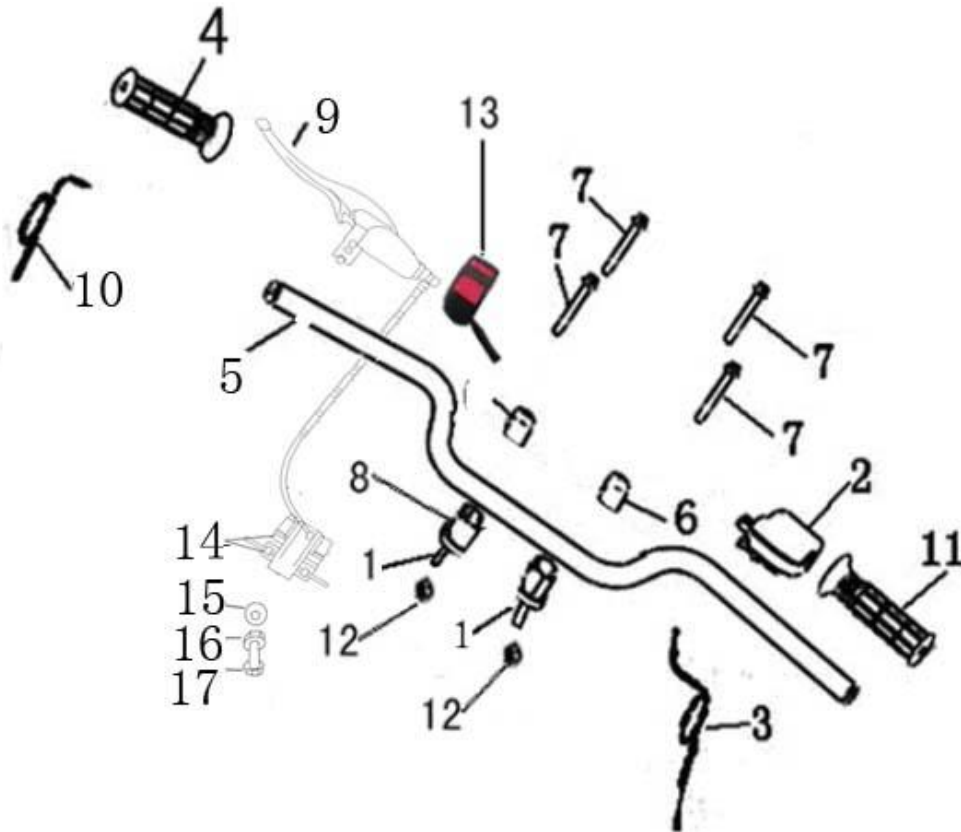
NO.	CODE	DESCRIPTION	QTY.
1	63100-LA	SHOCK ABSORBER ASSY. RR	2
2	578710040125	FLANGE BOLT M10*1.25*40	4
3	618710000125	LOCKING NUT M10X1.25	4



HANDLE BAR ASSY.

FIG.4

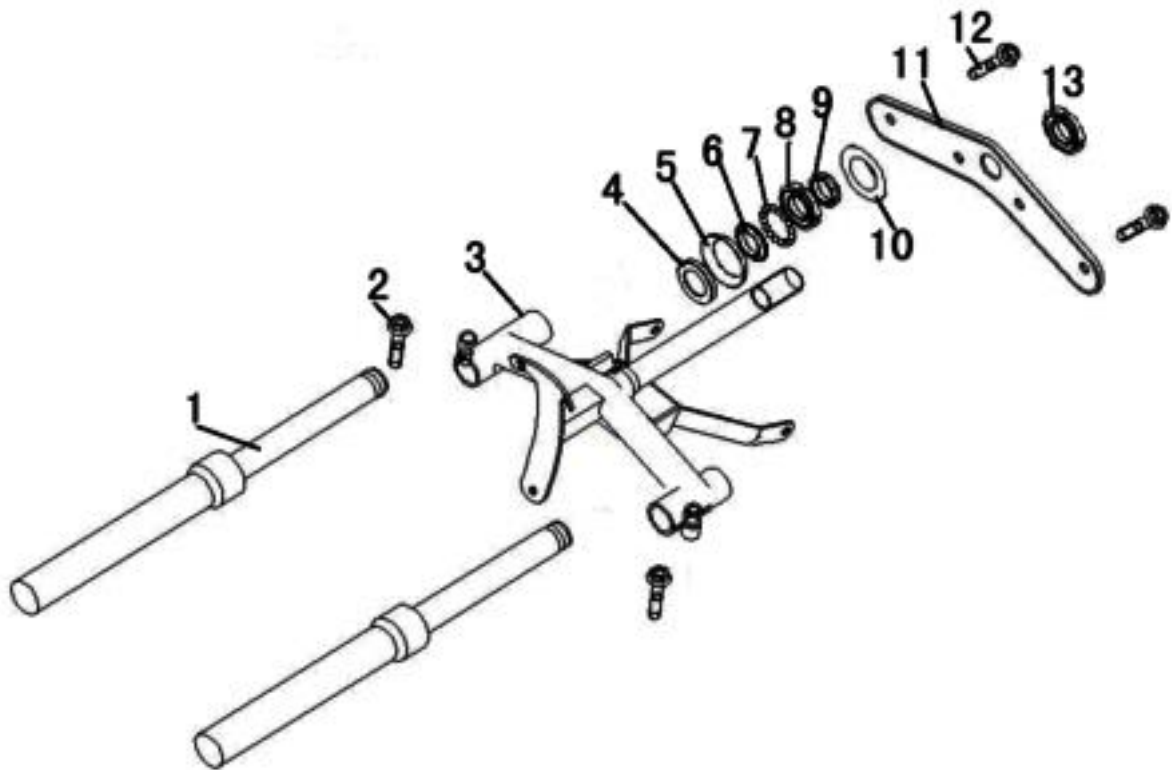
NO.	CODE	DESCRIPTION	QTY.
1	578108030125	BOLT M10X27X1.25	2
2	40510-L	THROTTLE BRAK CET COMP.	1
3	60120-L	THROTTLE CABLE COMP.	1
4	58193-N	GRIP L.	1
5	40101-L	HANDLEBAR	1
6	43014-L	HANDLEBAR UPPER FIXED SEAT	2
7	578708030125	FLANGE BOLT M8X30	4
8	43015-L	HANDLEBAR LOWER FIXED SEAT	2
9	45100-YL	BRAKE ASSY	1
10	40270-L	BRAKE CABLE	1
11	40520-L	GRIP R.	1
12	618710000125	LOCKING NUT M10*1.25	2
13	40600-L	ENGINE STOP BUTTON	1
14	45110-YL	REAR BRAKE PADS.RR.(OUTSIDE, INSIDE)	2
15	578708025125	WASHER 8	2
16	930008000000	WASHER 8	2
17	970008000000	WASHER PLATE 8	2



FRONT FORK ASSY

FIG.5

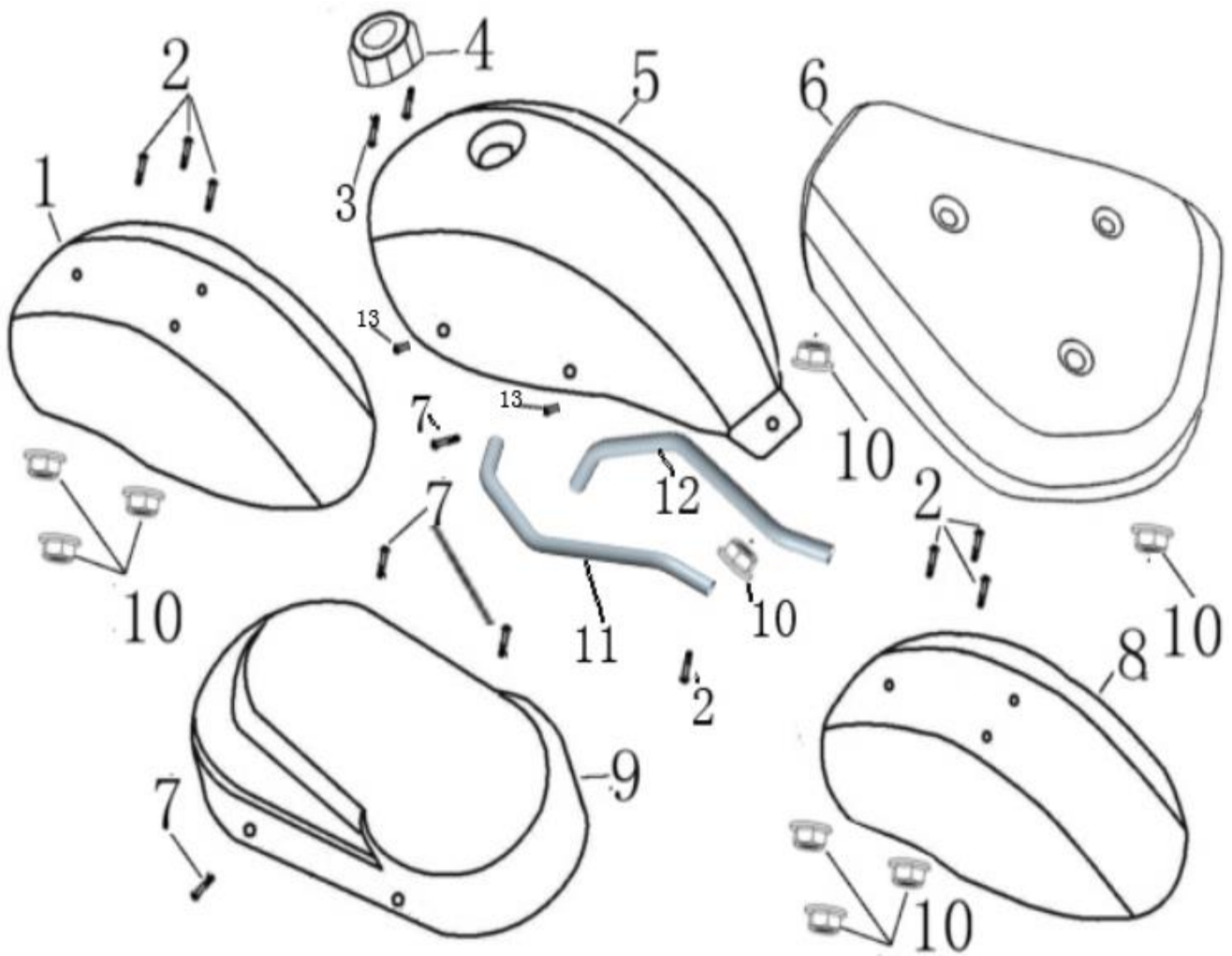
NO.	CODE	DESCRIPTION	QTY.
1	40320-PL	SHOCK ABSORBER ASSY. FR	2
2	578710035125	FLANGE BOLT M10X1.25X35	2
3	43100-PL	FRONT FORK WELDING COMP.	1
4	43004-L	LOWER BEARING STEEL BOWL	1
5	43003-L	LOWER BEARING PROCURED BOWL	1
6	43002-L	UPPER BEARING STEEL BOWL	1
7	43005-L	BALL BEARING	2
8	43001-L	UPPER BEARING PROCURED BOWL	1
9	43008-L	FRONT FORK BOLT M25*1	1
10	58001-L	STEERING SHAFT WASHER	1
11	43102-L	CONNECTING PLATE	4
12	57891002512505	FLANGE BOLT M10x1.5x25, GB5789	2
13	43008-L	FRONT FORK BOLT M25*1	1



PLASTIC COVER

FIG.6

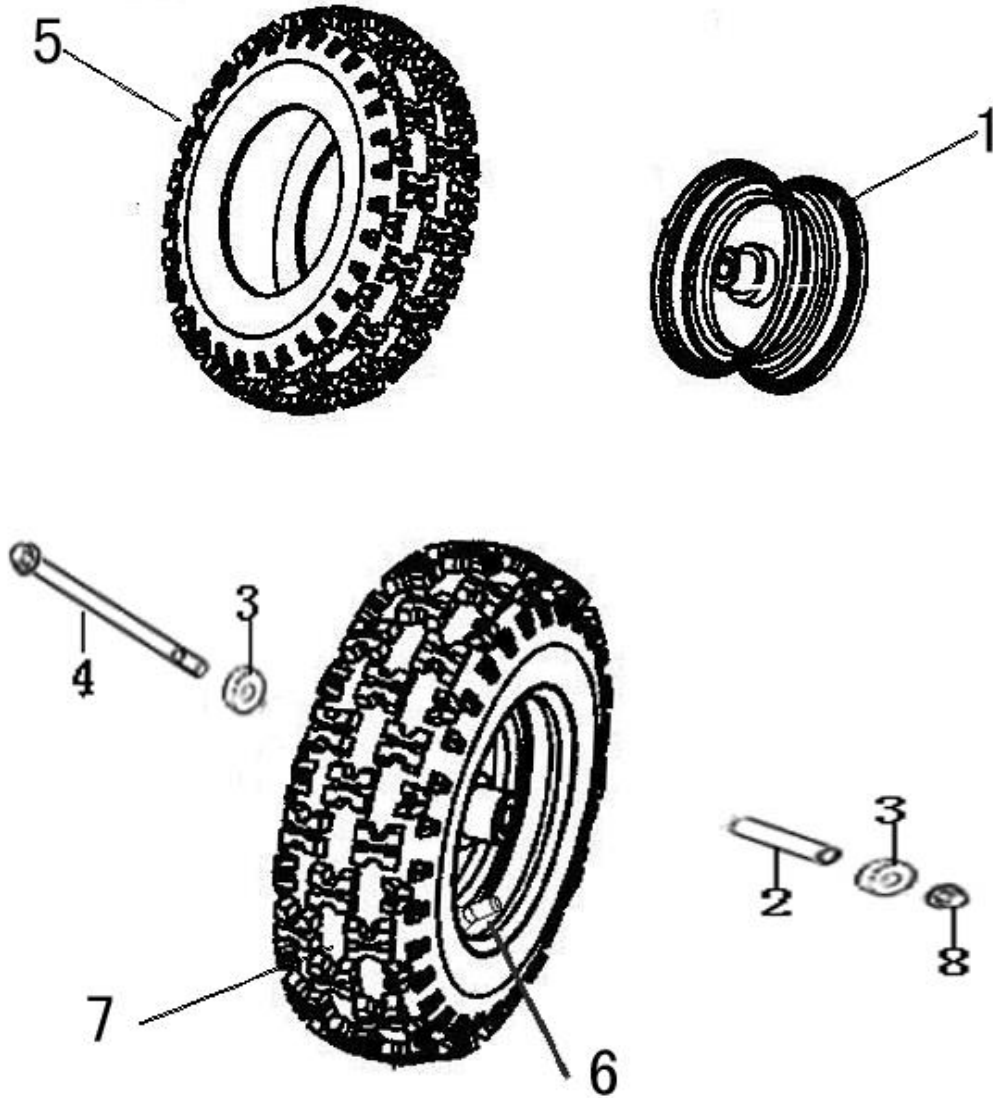
NO.	CODE	DESCRIPTION	QTY.
1	65001-PL	FRONT FENDER (PLASTIC)	1
2	578906016100	FLANGE BOLT M6X16	8
3	282342012000	GB2823 ST4.2*12 Tapping screw	2
4	65002-L	DUMMY FUEL TANK CAP	1
5	65003-LA	DUMMY FUEL TANK	1
6	51000-PL	SEAT COMP.	1
7	578906012100	FLANGE BOLT M6X12	5
8	65001-PL	REAR FENDER (PLASTIC)	1
9	65008-PL	CLUTCH COVER	1
10	617706000100	FLANGE NUT M6	11
11	57101-LB	FUEL TANK SIDE BAR ,L	1
12	57102-LB	FUEL TANK SIDE BAR ,R	1
13	90746601200005	BOLT M6X12, GB9074.6	4



FRONT WHEEL ASSY

FIG.7

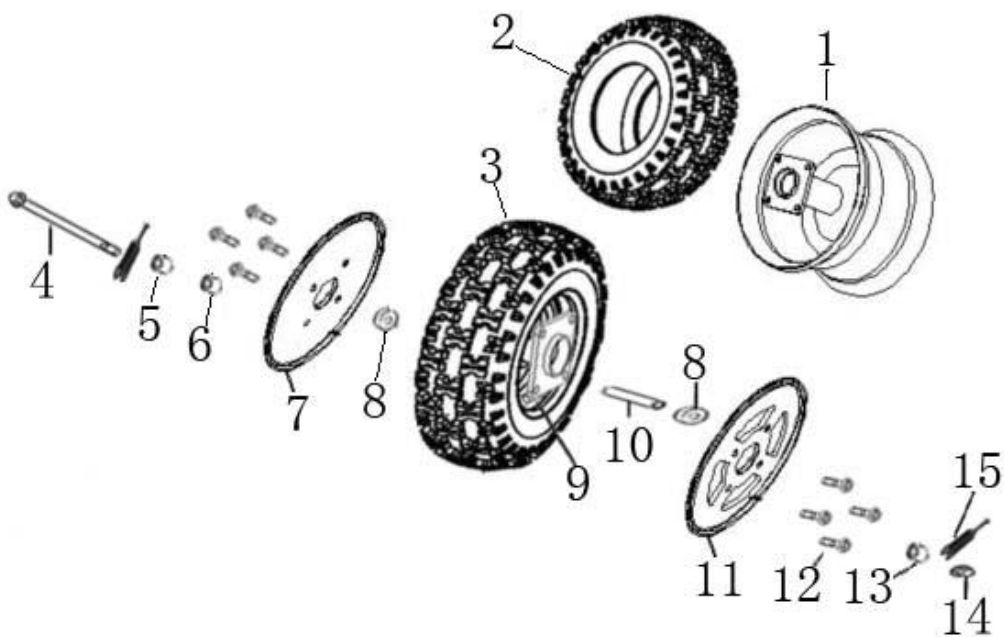
NO.	CODE	DESCRIPTION	QTY.
1	44110-L	FRONT RIM	1
2	44002-L	FRONT SPACER BUSHING	1
3	6202-2RS	BEARING 6202-2RS	2
4	44001-L	FRONT AXLE M14x1.5x310	1
5	44003-L	FRONT TIRE 19x7-8	1
6	44010-L	AIR VALVE	1
7	44100-L	FRONT WHEELASSY	1
8	618714000150	LOCKING NUT M14*1.5	1



REAR WHEEL ASSY.

FIG.8

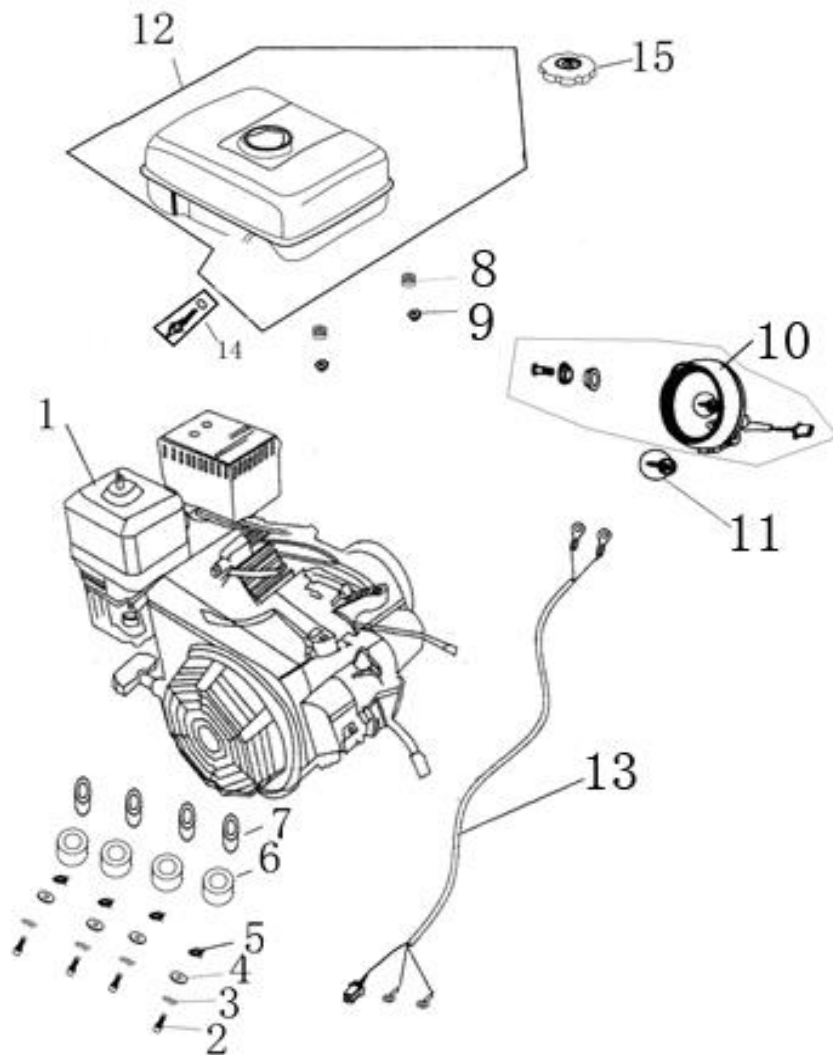
NO.	CODE	DESCRIPTION	QTY
1	54110-L	REAR RIM	1
2	44003-L	REAR TIRE 19x7-8	1
3	54100-L	REAR WHEEL ASSY.	1
4	54001-LA	REAR AXLE M14X1.5-345	1
5	54004-YL	REAR WHEEL SPACER BUSHING R $\Phi 22 \times \Phi 16-10.5$	1
6	54005-YL	REAR WHEEL SPACER BUSHING R $\Phi 22 \times \Phi 16-17.5$	1
7	54007-YL	BRAKE DISC	1
8	6202-2RS	BEARING 6202-2RS	2
9	44010-L	AIR VALVE	1
10	54011-YL	REAR WHEEL BEARING SPACER BUSHING	1
11	54006-L	GEAR-38T-420	1
12	578908025125	FLANGE BOLT M8X25	8
13	54006-PL	REAR WHEEL SPACER BUSHING L $\Phi 22 \times \Phi 16-36$	1
14	618708000150	LOCKING NUT M14*1.5	1
15	54030-L	CHAIN ADJUSTER COMP.	2



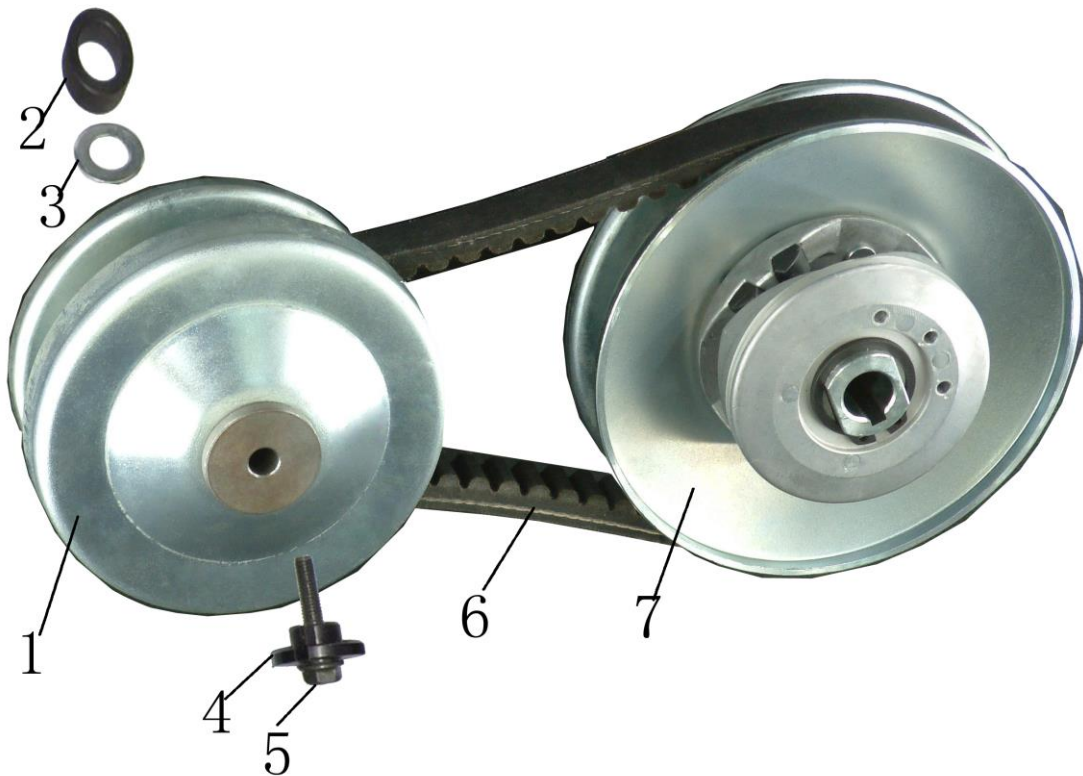
ENGINE

FIG.9

NO.	CODE	DESCRIPTION	QTY.
1	10000-L	ENGINE COMP. JF168FLH-7D	1
2	578708055125	FLANGE BOLT M8x55	4
3	930008000000	LOCKING WASHER φ8	4
4	970008000000	FLAT WASHER φ8	4
5	618708000125	LOCKING NUT M8	4
8	50001-80	FUEL TANK CUSHION φ10*φ22*4	2
9	617706000100	FLANGE NUT M6	2
10	81100-L	HEADLIGHT COMP	1
11	81101-L	HEADLIGHT BULB	1
12	50100-LB	FUEL TANK COMP.	1
13	80025-L	CABLE	1
14	JF168-N-08	FUEL TANK SWITCH	1
15	6.000.145-LB	FUEL TANK CAP	1



NO.	CODE	DESCRIPTION	QTY.
1	9.500.001-B	FRONT CLUTCH 80T w/ bearing	1
2	10011-LA	COLLAR $\Phi 30 \times \Phi 20 \times 18$	1
3	10012-LA	WASHER $\Phi 30 \times \Phi 20 \times 1$	2
4	9.300.008	BUSHING BOLCK	1
5	57870805512505	BOLT, M8X55, GB5787	1
6	9.100.018	BELT	1
7	9.500.010	DRIVEN PULLEY	1

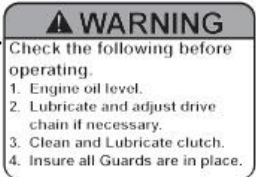


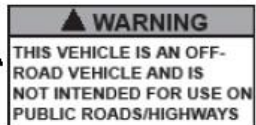
WARNING STICKERS


FIG.11


NO.	CODE	DESCRIPTION	QTY.
1	90002-50L	LABEL.WARNING 1	1
2	90007-50L	LABEL.WARNING 2	1
3	90001-50L	LABEL.WARNING 3	1
4	90006-50L	LABEL.WARNING 4	1
5	90004-50L	LABEL.WARNING 5	1
6	90003-50L	LABEL.WARNING 6	1
7	90010-LA	Trademark decals	1


Warning Labels

1 

2 

3 

4 

5 

6 



Note: parts in yellow background are additional parts to 2017 mini bike.