



***TrailMaster* GO-KART**

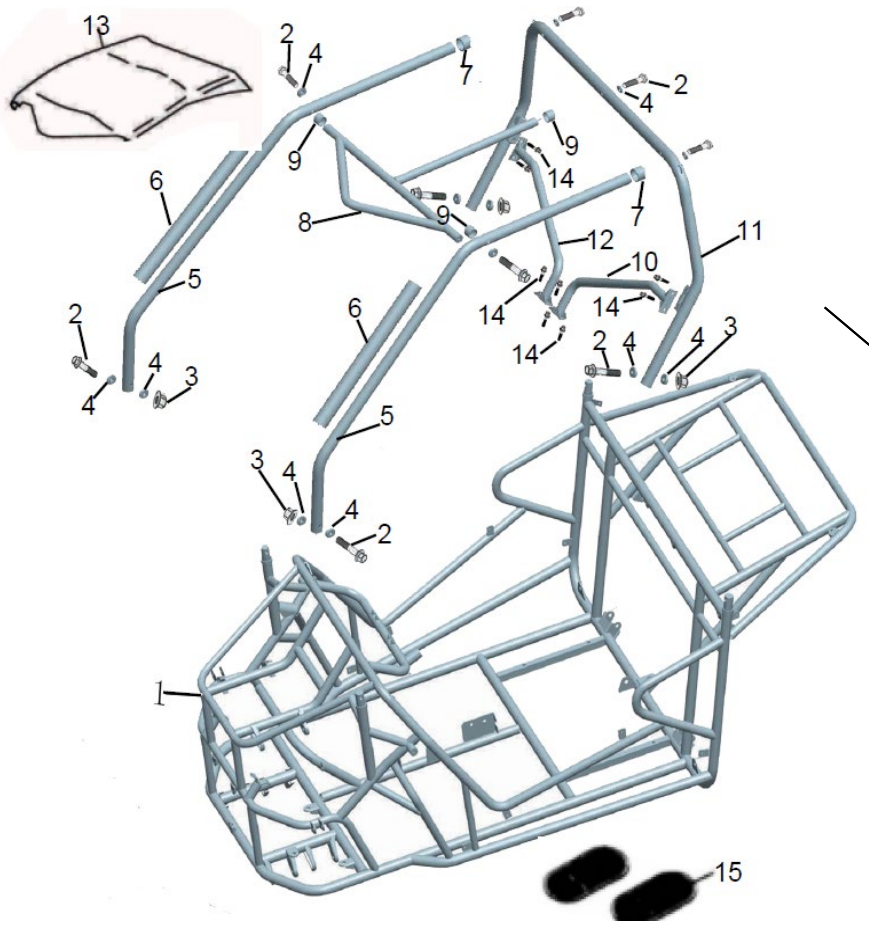
Cheetah 300E

Cheetah 300EX

PARTS MANUAL

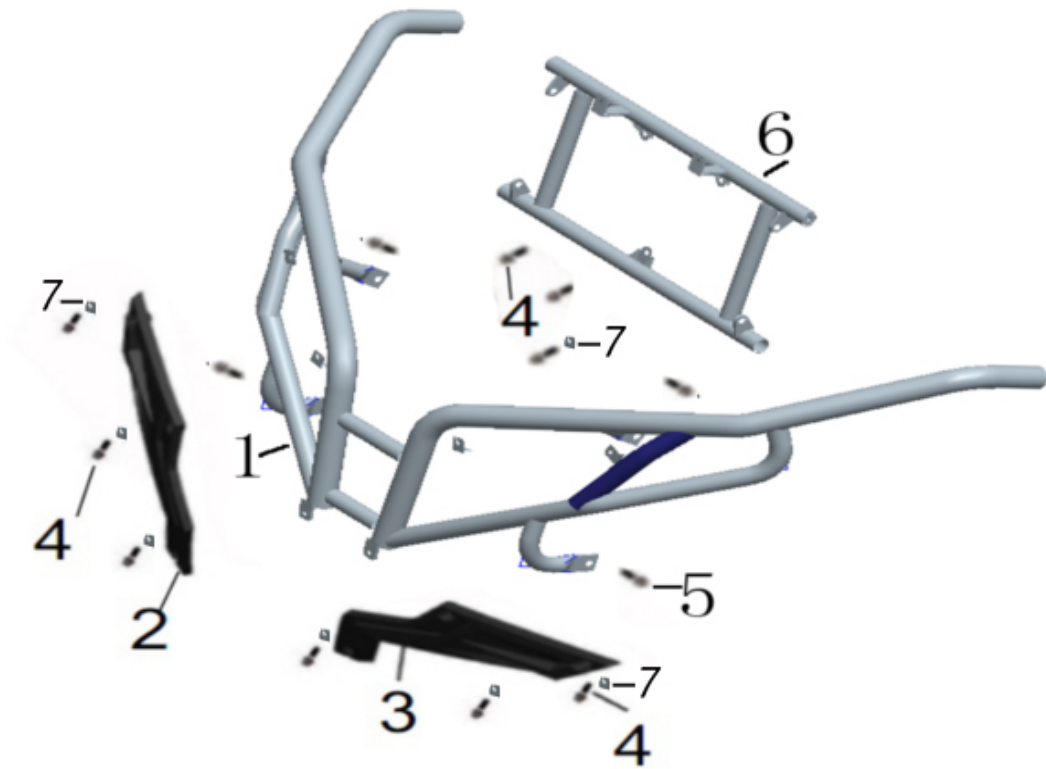
Version: 1.0 (10/25/2023)

FIG. 1 FRAME GROUP



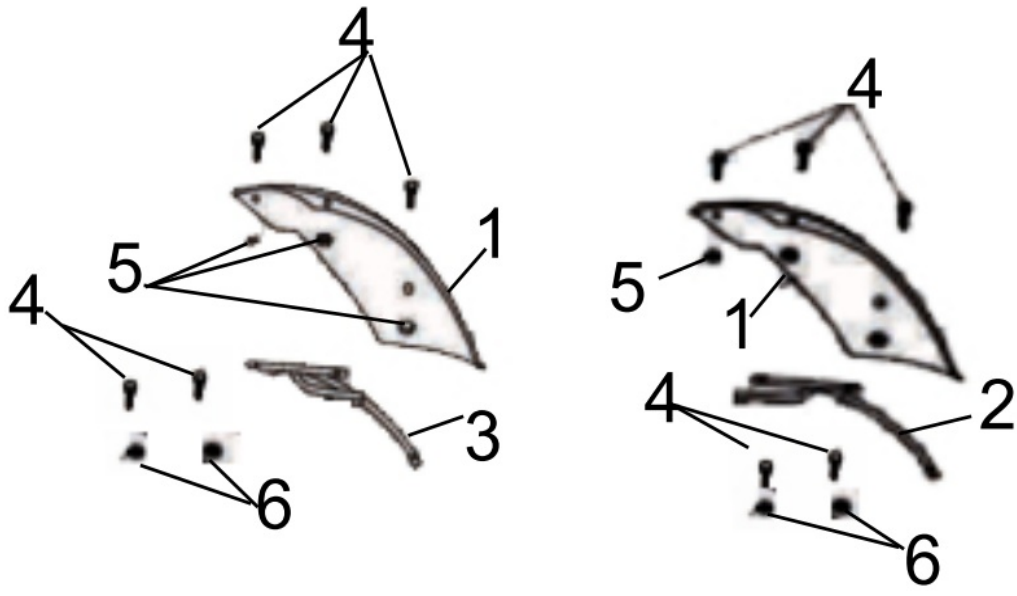
FRAME GROUP			
REF NO.	PART NO.	DESCRIPTION	QTY
1-1	57100-K7	FRAME COMP.(R.S.B)	1
1-1	57100-K7X	FRAME COMP.(R.S.B) Cheetah 300EX	1
1-2	57870805512505	BOLT M8X55 ,GB5787	9
1-3	61870800012505	LOCKING NUT M8, GB6187	4
1-4	8010047250G000	R- WASHER	13
1-5	58430-K5	C.B.C.CUSTOM J-BAR.LSIDE(R.S.B)	2
1-6	58005-K5	FOAM PADDING-1	2
1-7	7010016250G000	TUBE SEAT ϕ 32	2
1-8	58410-K5	C.B.C.CUSTOM CROSS BARTOP.FR(R.S.B)	1
1-9	7010017250G000	TUBE SEAT ϕ 25	3
1-10	58480-K5	Rear Decorative pole (L)	1
1-11	58420-K5	Rear main ceiling bracket	1
1-12	58490-K5	Rear Decorative pole (R)	1
1-13	00010-K5	BIKINI TOP	1
1-14	57870801612505	BOLT M8X16 ,GB5787	8
1-15	7020012250G000	RUBBER FOOLPLAIE	4

FIG. 2 FRONT BUMPER BAR



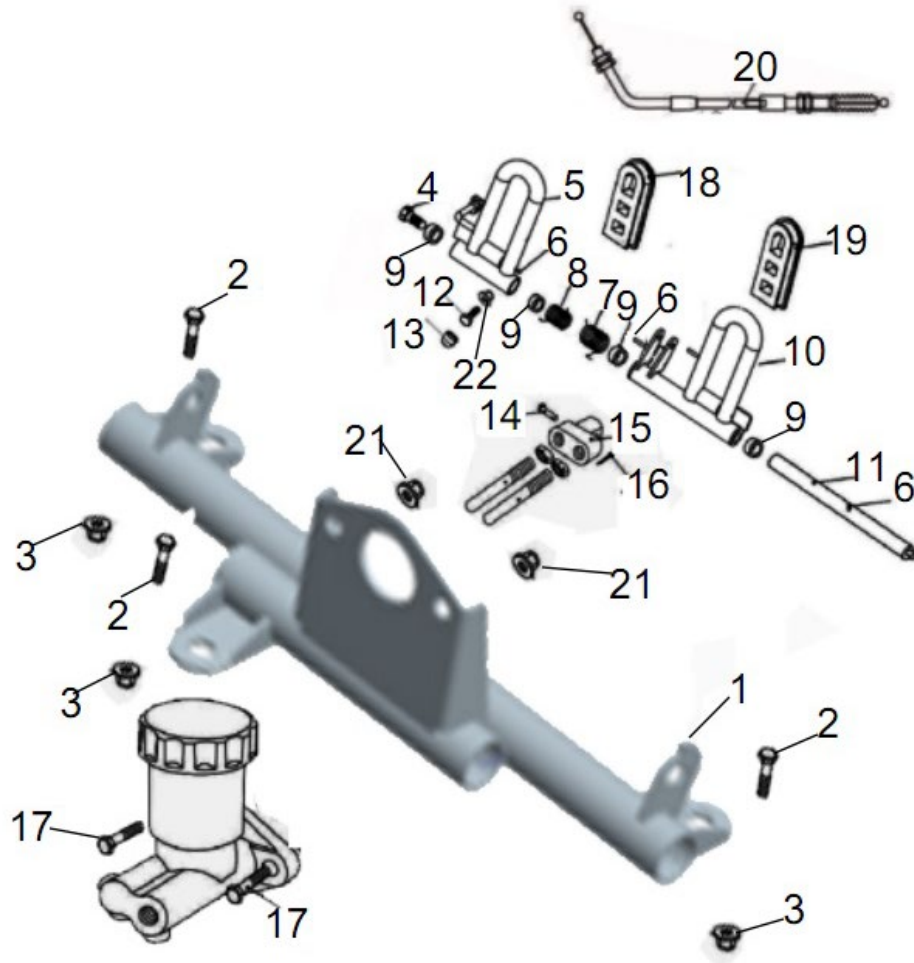
FRONT BUMPER BAR			
REF NO.	PART NO.	DESCRIPTION	QTY
2-1	58610-K7	PROTECTING BAR	1
2-2	65101-K5	Protection rod cover(R)	1
2-3	65102-K5	Protection rod cover(L)	1
2-4	57890601610005	BOLT M6X16 ,GB5789	9
2-5	57890801610005	BOLT M8X16 ,GB5789	4
2-6	58640-K7	Tank mounting bracket	1
2-7	96000600000002	GB96 WASHER φ6	7

FIG. 3 FRONT FENDER



FRONT FENDER			
REF NO.	PART NO.	DESCRIPTION	QTY
3-1	7010034250G000	FRONT FENDER	2
3-2	6100067250G000	FRONT FENDER BRACKET,L	1
3-3	6100102250G000	FRONT FENDER BRACKET,R	1
3-4	57890601610005	BOLT M8X16 ,GB5789	10
3-5	61870600010005	NUT M6, GB6187	6
3-6	93000600000005	GB93 SPRING WASHER φ6	4

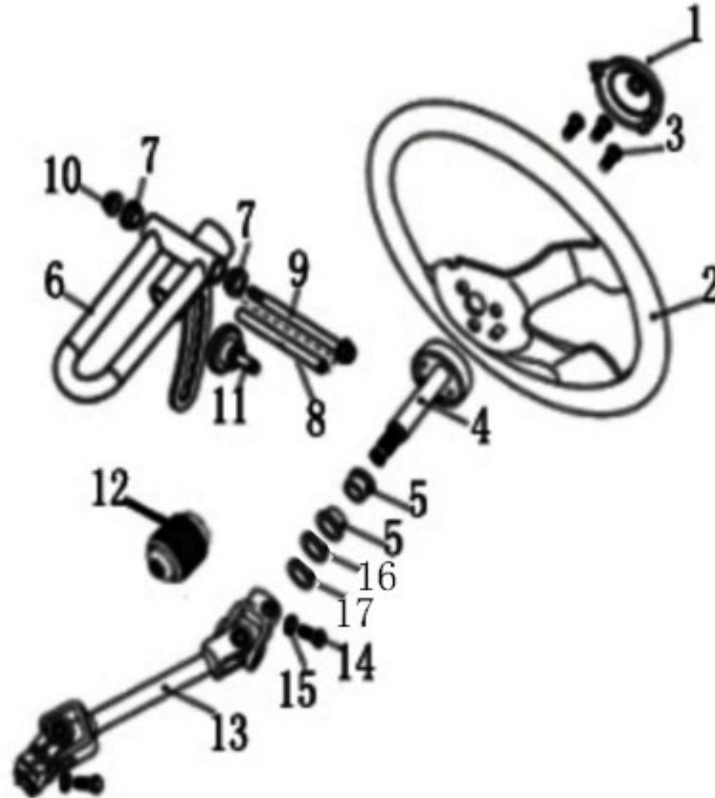
FIG. 4 BRAKE/ THROTTLE PEDAL



BRAKE/ THROTTLE PEDAL			
REF NO.	PART NO.	DESCRIPTION	QTY
4-1	58510-K5	Brake and accelerator bracket	1
4-2	57891002512505	BOLT M10X1.25X25, GB5789	3
4-3	61871000012505	NUT M10*1.25, GB6187	3
4-4	57870801612505	BOLT M8X16 ,GB5787	1
4-5	9500218080G000	THROTTLE PEDAL COMP	1
4-6	87910300200000	ROLL PIN $\phi 3 \times 20$	3
4-7	8040010080G000	THROTTLE PEDAL RETURN SPRING,L	1
4-8	8040011080G000	BRAKE PEDAL RETURN SPRING,R	1
4-9	7010003250G000	PEDAL BUSH	4
4-10	4000044080G000	BRALE PEDAL COMP.	1
4-11	8010123080G000	PEDAL BOLT	1
4-12	57820809012505	BOLT M8X90	1
4-13	7010022080G000	rubber food pedal stop	1
4-14	88200603000003	LOCKING ROLL PIN	1
4-15	8030024250G001	CYIINDER ROD BRACKET	1
4-16	GB912001600002	COTTER PIN $\Phi 2 \times 16$	1
4-17	57890803512505	BOLT M8X35 ,GB5787	2

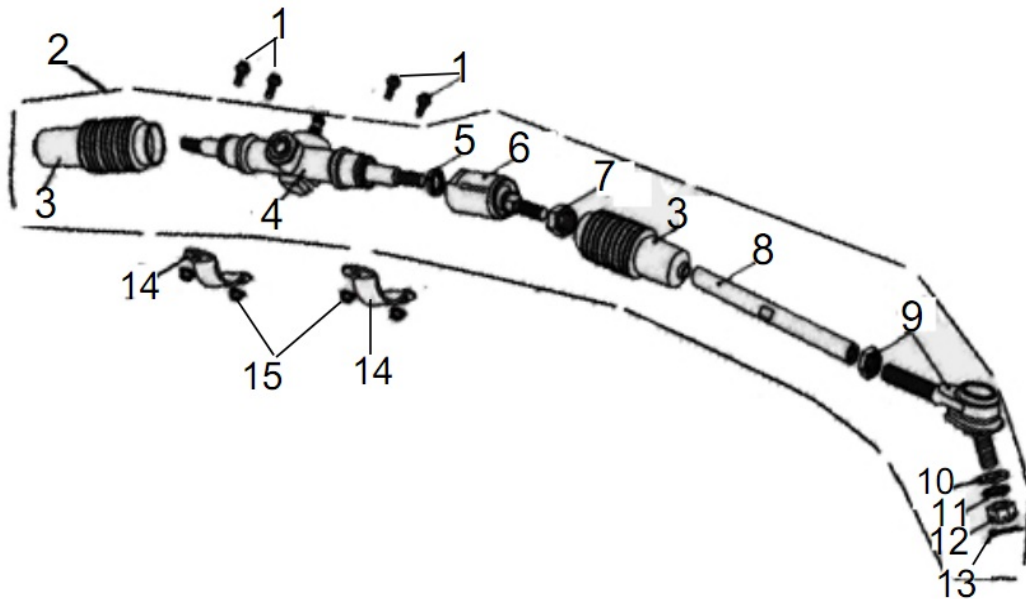
4-18	7020044080G000	THROTTLE PEDAL PAD	1
4-19	7020043080G000	BRAKE PEDAL PAD	1
4-20	6000034-K5-E	THROTTLE CABLE COMP.	1
4-21	61870800012505	LOCKING NUT M8, GB6187	2
4-22	61700800012505	NUT M8, GB6170	1

FIG. 5 STEERING WHEEL



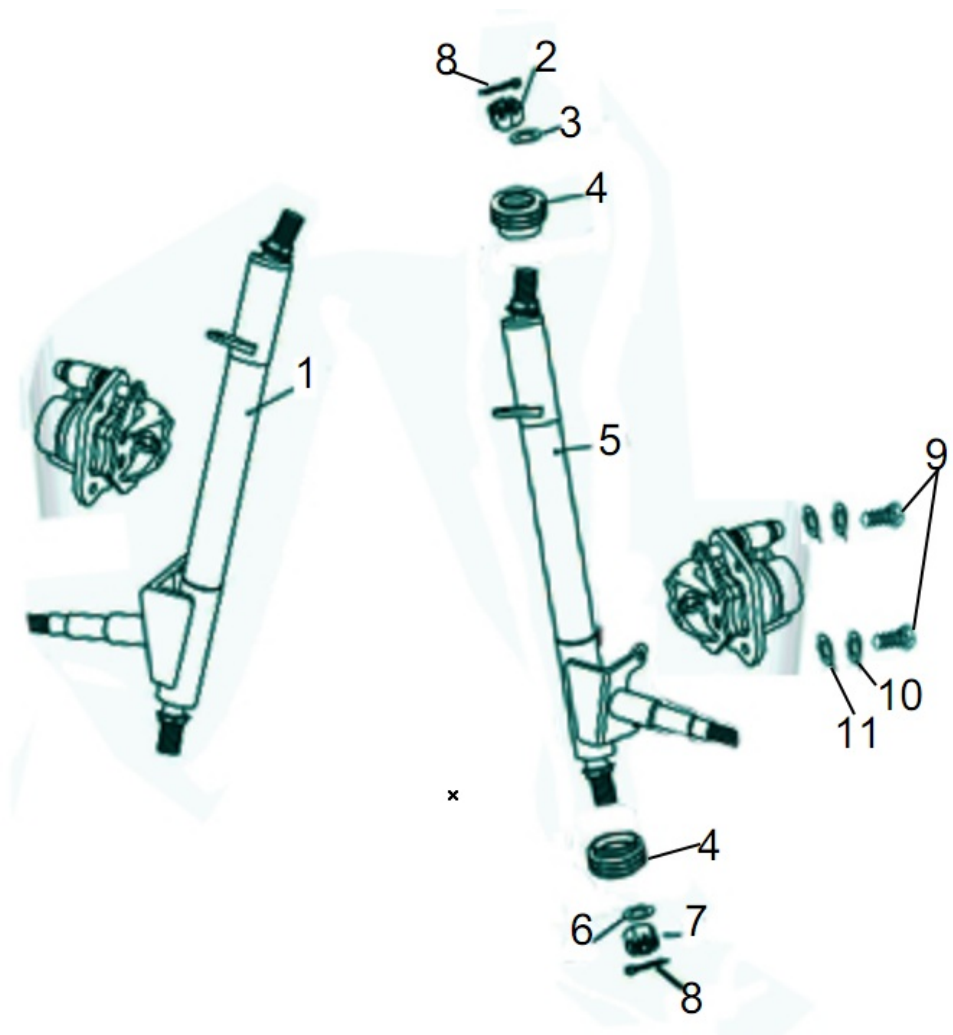
STEERING WHEEL			
REF NO.	PART NO.	DESCRIPTION	QTY
5-1	7010041250G000	STEERING BOLT COVER	1
5-2	7020038250G000	STEERING WHEEL	1
5-3	57890601210005	BOLT M6X12 ,GB5789	3
5-4	4011000150G000	STEERING SHAFT	1
5-5	7010026150G000	BUSH STEERING SHAFT	2
5-6	4000051150GH00	TILT STEERING HOUSING	1
5-7	7010003250G000	UPPER SUSPENSION ARM BUSH,80	2
5-8	8010015250G000	UPPER SUSPENSION ARM COLLAR,80	1
5-9	57890810512505	BOLT M8X105 ,GB5789	1
5-10	61870800012505	LOCKING NUT M8, GB6187	1
5-11	4000100150G000	STEERING GEAR ADJUSTING BOLT	1
5-12	7020066250G000	DUST COVER BALL JOINT	1
5-13	40200-K5	STEERING LINKAGE KNUCKLE	1
5-14	57820803012505	BOLT M8X30 ,GB5782	2
5-15	93000800000005	LOCK WASHER φ8 ,GB93	2
5-16	40001-K5	WASHER φ20	1
5-17	89422000000002	Retaining ringφ20, GB894	1

FIG. 6 STEERING GEAR ASSY.



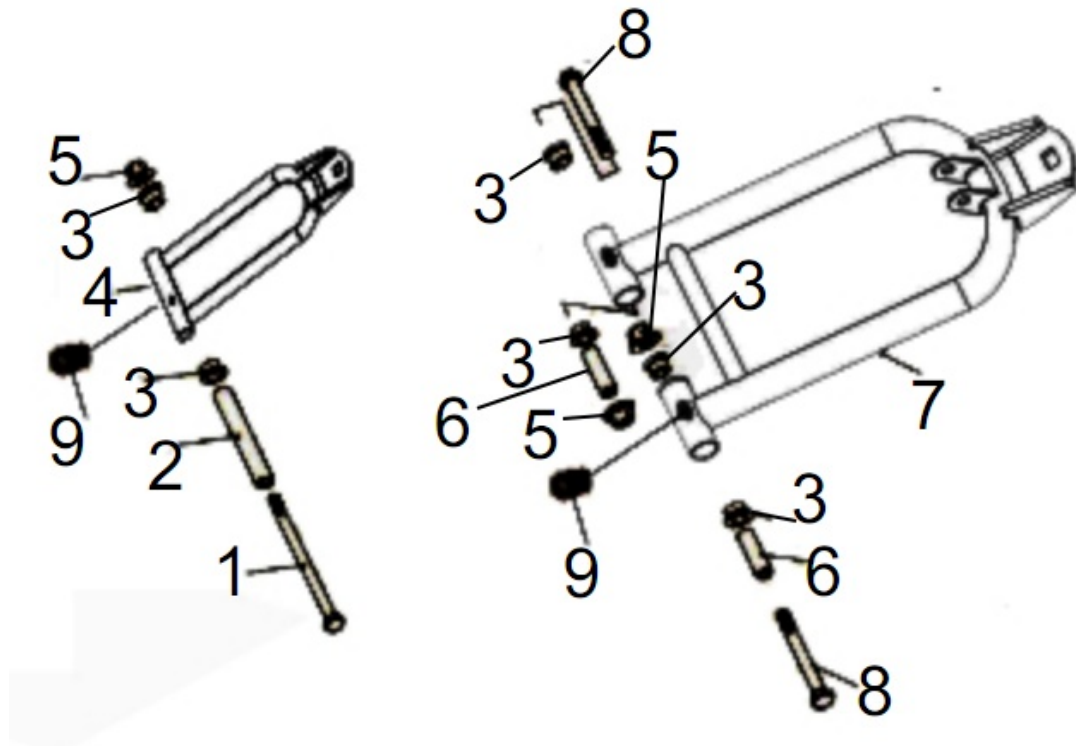
STEERING GEAR ASSY			
REF NO.	PART NO.	DESCRIPTION	QTY
6-1	61870802512505	GB5789 BOLT M8 x25	4
6-2	3000007250G000	STEERING GEAR ASSY	1
6-3	7020002250G000	STEERING BALL JOINT DUST COVER	2
6-4	4000014250G000	STEERING GEAR	1
6-5	9900016250G000	GB99 nut m16*1.5	2
6-6	4000008250G000	STEERING BALL JOINT	2
6-7	61701000012505	GB6170 nut m10*1.25	2
6-8	8010157250G000	TIE ROD	2
6-9	6000062250G000	ROD END	2
6-10	97001000000002	GB97 WASHER φ10	2
6-11	93001000000002	LOCK WASHER φ10 ,GB93	2
6-12	94571000012505	GB9457 FLANGE UNT.M10*1.25	2
6-13	GB912502500002	COTTER PIN φ2.5×25, GB91	2
6-14	8020014250G000	STEERING GEAR BRACKET(R.S.B)	2
6-15	61870800012505	LOCKING NUT M8, GB6187	4

FIG. 7 SPINDLE AND STRUT SUPPORT



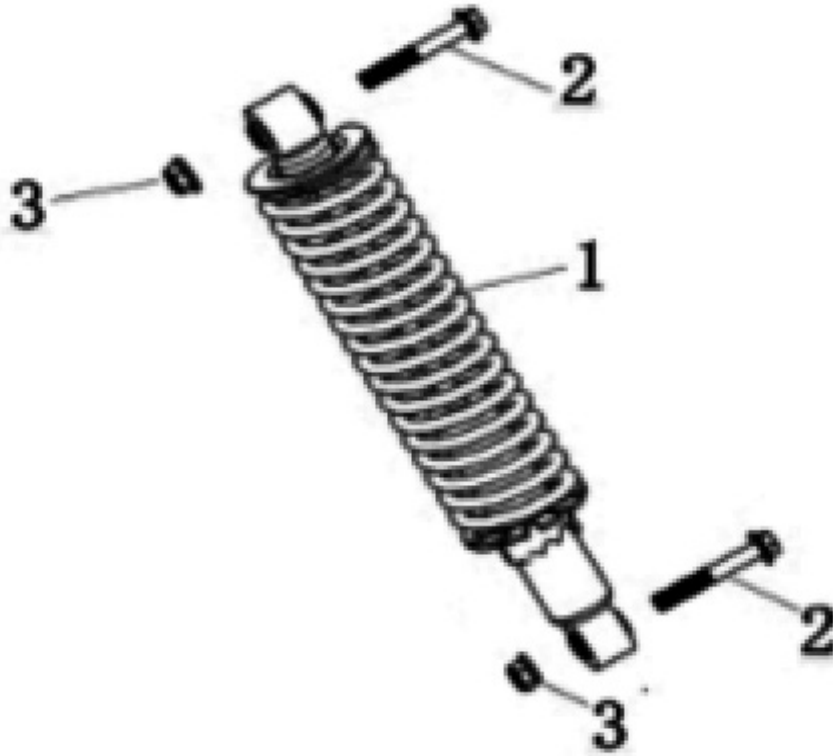
SPINDLE AND STRUT SUPPORT			
REF NO.	PART NO.	DESCRIPTION	QTY
7-1	44210-K5	SPINDLE AND STRUT SUPPORT,R	1
7-2	61871200012505	GB6187 UNT.M12*1.25	2
7-3	97001200000005	GB97 WASHER φ12	2
7-4	7020025250G000	BALL HEAD DUST SEAL	4
7-5	44220-K5	SPINDLE AND STRUT SUPPORT,L	1
7-6	93001200000002	LOCK WASHER φ12 ,GB93	2
7-7	94571200012505	GB9457 FLANGE UNT.M12*1.25	2
7-8	GB912502500002	COTTER PIN Φ2.5x25	2
7-9	57870801612505	GB5787 BOLT M8 x16	4
7-10	93000800000005	GB93 SPRING WASHER φ8	4
7-11	97000800000005	GB97 WASHER φ8	4

FIG.8 SUSPENSION ARM



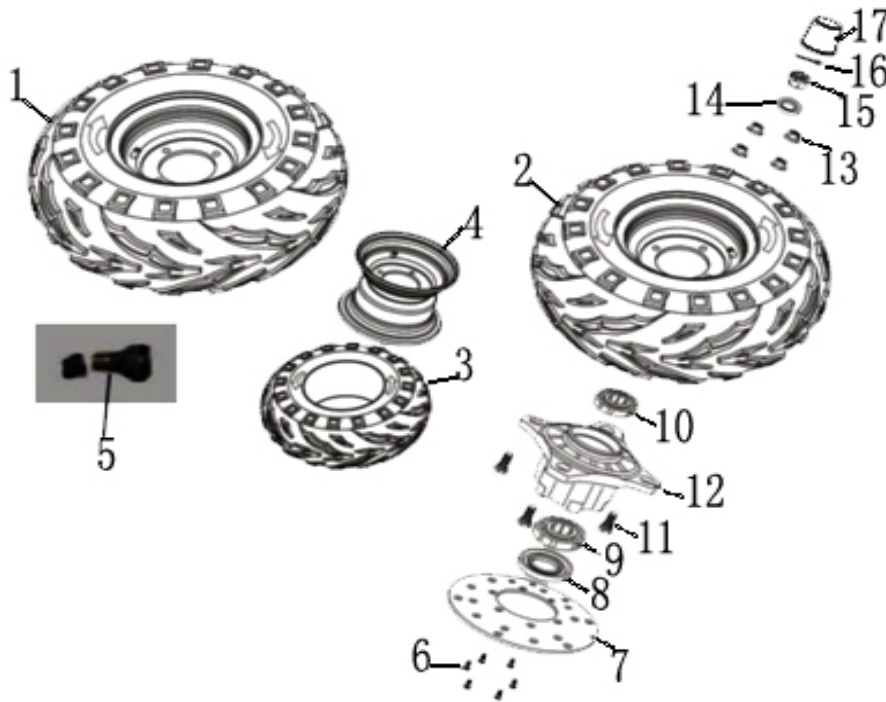
SUSPENSION ARM			
REF NO.	PART NO.	DESCRIPTION	QTY
8-1	57891015012505	GB5787 FLANGE BOLT M10*1.25*150	2
8-2	8010015-K5	UPPER SUSPENSION ARM COLLAR	2
8-3	7010002250G000	LOWER SUSPENSION ARM BUSH	12
8-4	58210-K5	UPPER SUSPENSION ARM	2
8-5	61871000012505	GB6187 LOCKING FLANGE UNT.M10*1.25	6
8-6	8010014-K5	LOWER SUSPENSION ARM COLLAR	4
8-7	58220-K5	FRONT LOWER SUSPENSION ARM	2
8-8	57891007012505	GB5787 FLANGE BOLT M10*1.25*70	4
8-9	5400600400N000	Grease nipple	6

FIG. 9 CUSHION ASSY.,FR



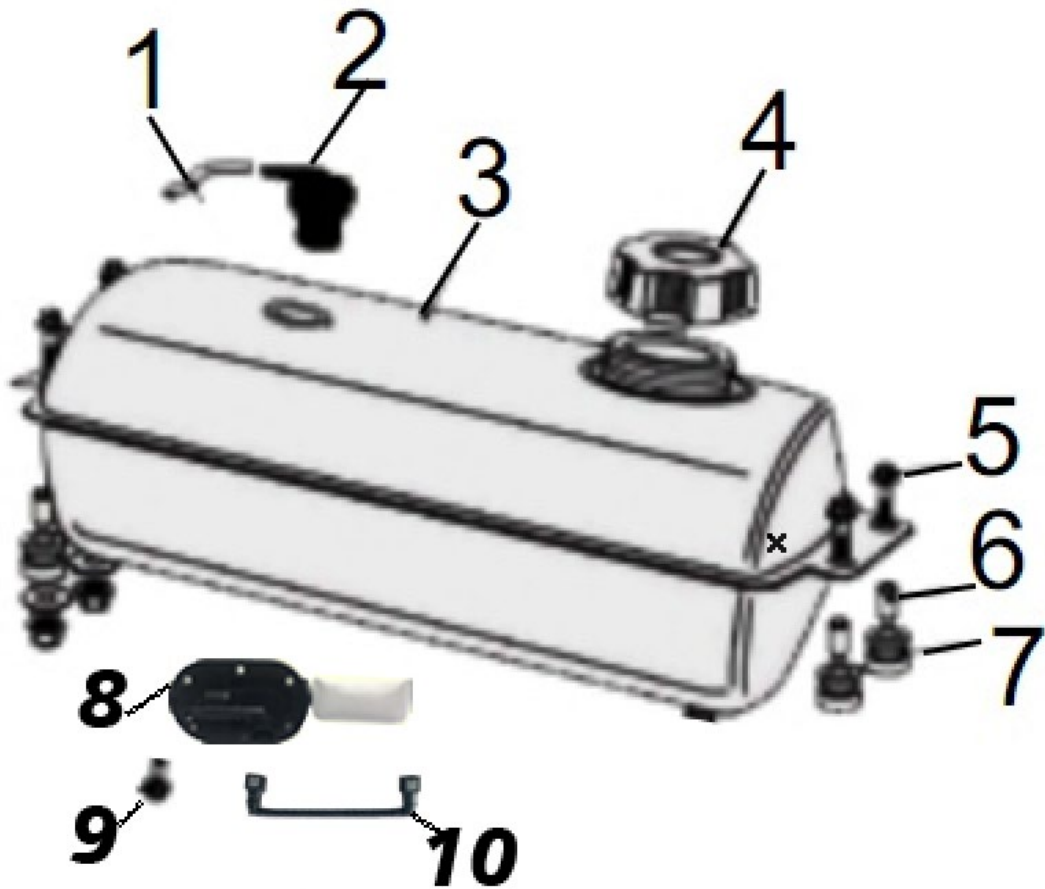
CUSHION ASSY.,FR			
REF NO.	PART NO.	DESCRIPTION	QTY
9-1	43100-K5	CUSHION ASSY.,FR (L=290)	2
9-2	57891004012505	GB5787 FLANGE BOLT M10 x 40x1.25	4
9-3	61871000012505	GB6187 LOCKING FLANGE UNT.M10*1.25	4

FIG. 10 FR.WHEEL ASSY/FRONT WHEEL HUB



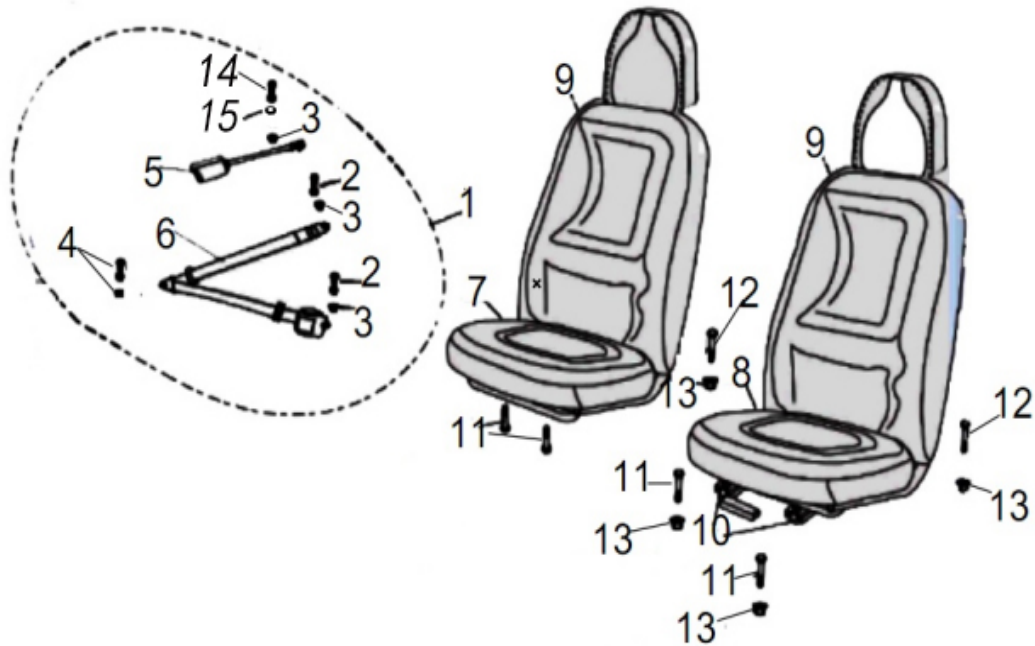
FR.WHEEL ASSY/FRONT WHEEL HUB			
REF NO.	PART NO.	DESCRIPTION	QTY
10-1	4410000150U001	FR.WHEEL ASSY.L. 22*7-10 metal wheel	1
10-1	4410000150U002	FR.WHEEL ASSY.L. 22*7-10 Aluminum wheel	1
10-2	4420000150U001	FR.WHEEL ASSY.R. 22*7-10 metal wheel	1
10-2	4420000150U002	FR.WHEEL ASSY.R. 22*7-10 Aluminum wheel	1
10-3	4403100150U002	TIRE RR.22X7-10	2
10-4	4411000150U001	RIM, FRONT WHEEL metal	2
10-4	4411000150U002	RIM, FRONT WHEEL (Aluminum)	2
10-5	7190018250G000	TIRE NIPPLE	2
10-6	57830601610005	BOLT M6X16 ,GB5783	12
10-7	8010054250G000	BRAKE DISC,RR	2
10-8	YF047002500700	DUST SEAL 47*25*7	2
10-9	62042RS0000000	BEARING 6204-2RS	2
10-10	62022RS0000000	BEARING 6202-2RS	2
10-11	9710035250G100	TIRE BOLT M10×1.25×35	8
10-11	9710039250G100	TIRE BOLT M10×1.25×39	8
10-12	8010085250GH00	FRONT WHEEL HUB	2
10-13	8010118250G500	TIRE NUT M10×1.25	8
10-14	97001400000005	WASHER φ14 ,GB97	2
10-15	94571400015005	CASTLE NUT M14X1.5, GB9457	2
10-16	GB913003000002	COTTER PIN φ3×30, GB91	2
10-17	7020039250G001	HUB COVER metal wheel	2
10-17	7020039250G002	HUB COVER Aluminum wheel	2

FIG. 11 FUEL TANK



FUEL TANK			
REF NO.	PART NO.	DESCRIPTION	QTY
11-1	51001-K5	One way vent valve pipe	1
11-2	51010-K5	One way vent valve	1
11-3	4000029-K5E	fuel tank	1
11-4	6000145-K5	fuel tank cap	1
11-5	57870802512505	FLANGE BOLT M8×25	4
11-6	8010034250G000	TANK COMP COLLAR	4
11-7	7020005250G000	RUBBER MOUNT	4
11-8	RBS-48DA	BE-48C fuel pump	1
11-9	57890501208005	GB5789 FLANGE BOLT M5×12	6
11-10	80303-K7E	K7E oil pipe	1

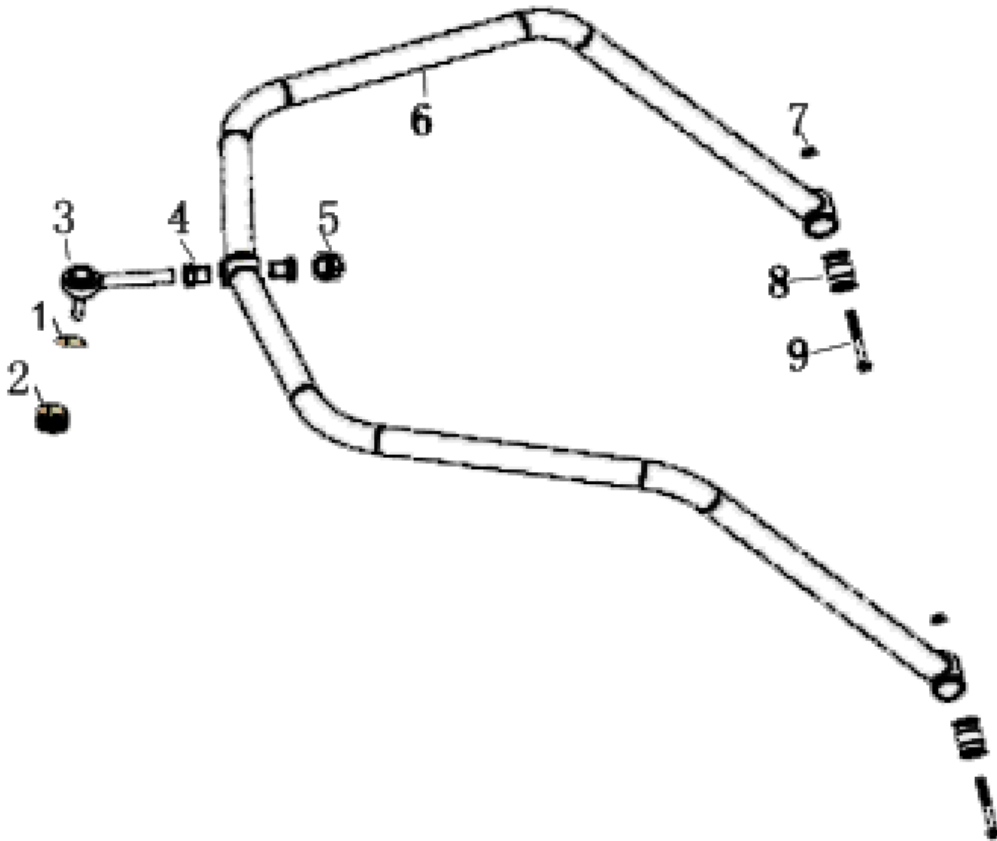
FIG. 12 SAFETY BELT ASSY/SEAT COMP



SAFETY BELT ASSY/SEAT COMP			
REF NO.	PART NO.	DESCRIPTION	QTY
12-1	51910-K5	SAFETY BELT ASSY	2
12-2	57891002012505	FLANGE BOLT M10*1.25*20, GB5789	5
12-3	61871000012505	GB6187 LOCKING FLANGE UNT.M10*1.25	5
12-4	9.700.001	SAFETY BELT SPECIAL BOLT	2
12-5	51920-K5	SAFTY BELT,HOOK	2
12-6	51210-K5	SAFTY BELT	2
12-7	51100-K5	SEAT COMP.R	1
12-8	51200-K5	SEAT RALL SET	1
12-9	51300-K5	SEAT back	2
12-10	51220-K5	DRIVER SEAT SLIDER	1
12-11	57870806012503	BOLT M8×60 , GB5785	4
12-12	57870860012505	BOLT M8×60, GB5785	2
12-13	61870800012505	NUT M8 GB6187	4

FIG. 13 Bracket connecting frame

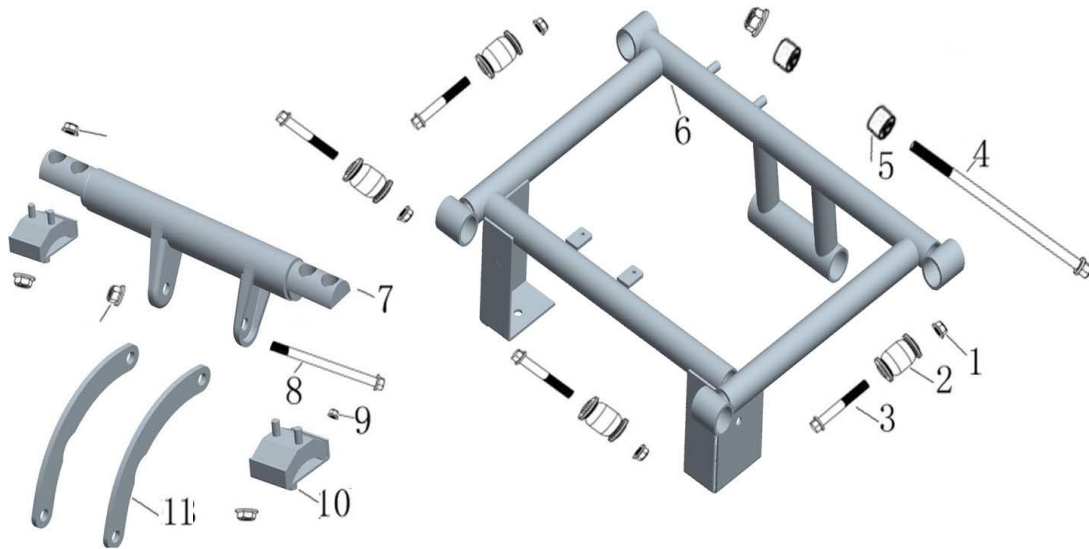
Cheetah 300E only



Bracket connecting frame			
REF NO.	PART NO.	DESCRIPTION	QTY
13-1	93001200000002	LOCK WASHER $\phi 12$,GB93	1
13-2	94571200012505	NUT M12X1.5, GB9457	1
13-3	58310-K5	LINKAGE KNUCKLE	1
13-4	58301-K5	Threaded sleeveM16*1.5	2
13-5	61871600015005	NUT M16X1.5, GB6187	1
13-6	58320-K5	Bracket connecting frame	1
13-7	61871000012505	LOCKING FLANGE NUT M10 \times 1.25, GB6187	2
13-8	58720N	CUSHION BUSH	2
13-9	57891007012505	FLANGE BOLT M10 \times 1.25 \times 70	2
13-10	GB912502500002	COTTER PIN $\phi 2.5 \times 25$, GB91	1

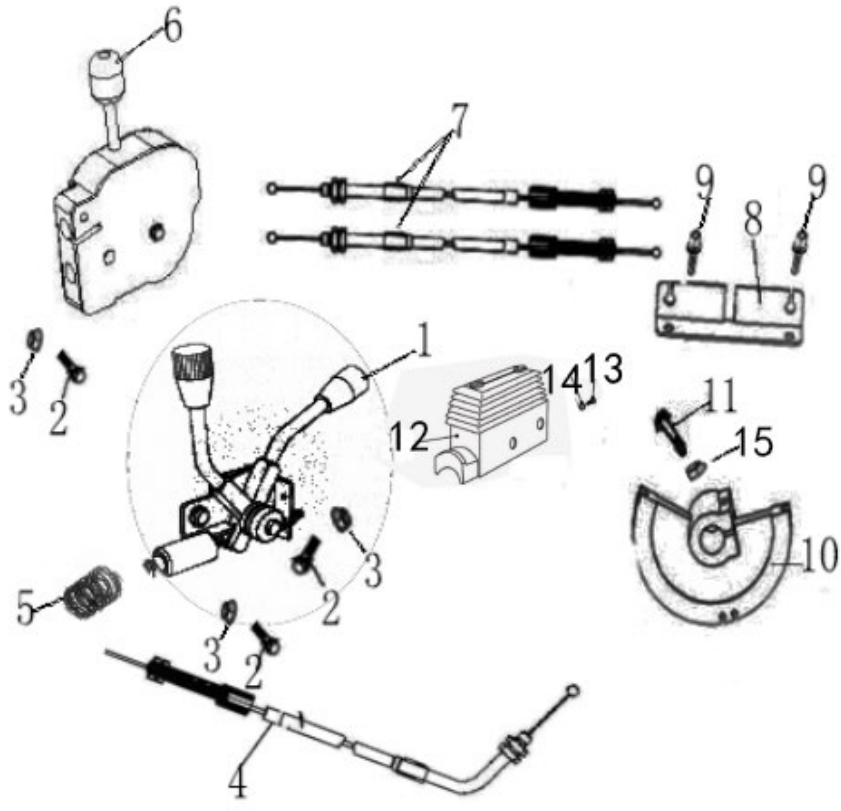
FIG. 13 Rear Suspension

Cheetah 300EX only



Rear Suspension			
REF NO.	PART NO.	DESCRIPTION	QTY
13-1	61871000012505	LOCKING NUT M10X1.25, GB6187	4
13-2	58720N	SUSPENSION ARM CUSHION BUSH	4
13-3	57891007012505	BOLT M10X1.25X70 ,GB5789	4
13-4	GB5789 M10*223	GB5789 M10*223 BOLT	1
13-5	7020008250G000	CUSHION BUSHINGΦ12*Φ30*30/35	4
13-6	58110-K7X	Mounting plate	1
13-7	10140-300UB1	Mounting plat bracket	1
13-8	GB5789 M10*1.25*100	GB5789 M10*1.25*100	1
13-9	GB6187 M8	GB6187 M8 NUT	4
13-10	10170-300UB1	Cushion seats	2
13-11	10171-300UB1	Mounting plate supporting bar	2
14-12	9.116.006	BULGE BOLT φ6	2

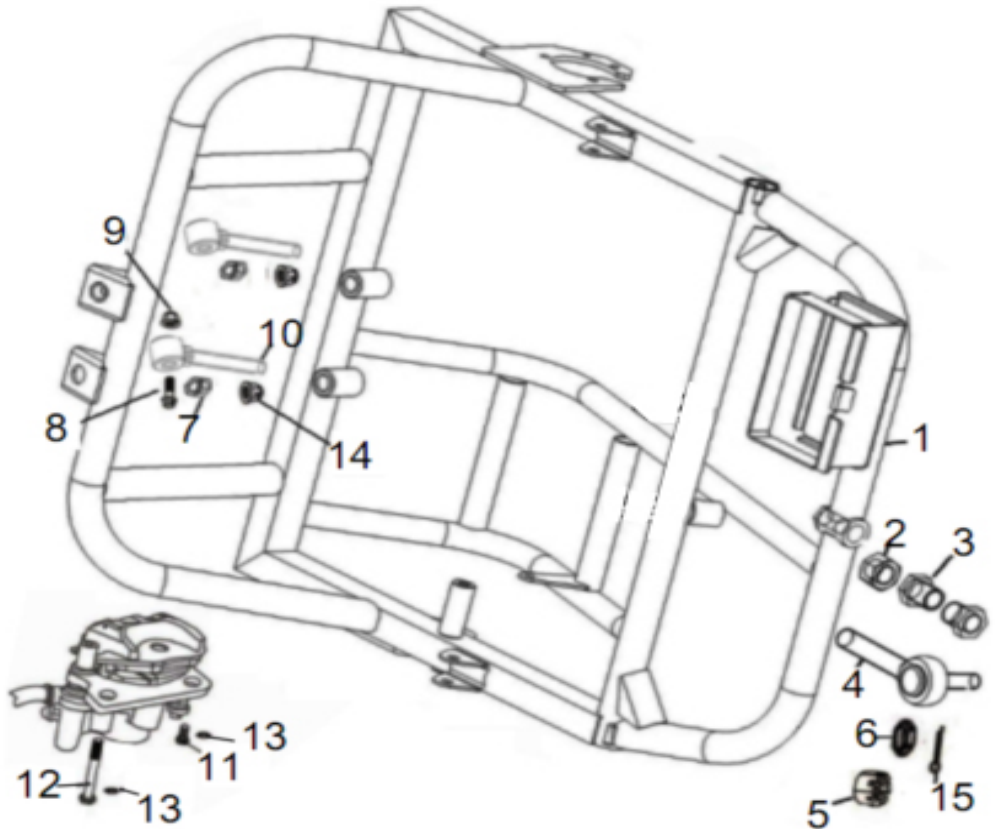
**FIG. 14 PARKING BRAKE LEVER ASSY/SHIFTER
HOISE ASSY**



PARKING BRAKE LEVER ASSY/SHIFTER HOISE ASSY			
REF NO.	PART NO.	DESCRIPTION	QTY
14-1	6000042150G000	PARKING BRAKE LEVER ASSY.	1
14-2	57870801612505	BOLT M8X16 ,GB5787	3
14-3	61870800012505	NUT M8 ,GB6187	3
14-4	60010-150U	PARKING BRAKE CABLE COMP.	1
14-5	8040004150G000	PARKING BRAKE CABLE SPRING	1
14-6	40700-150U	SHIFTER HOISE ASSY.	1
14-7	60130-K7	REVERSE CABLE COMP.	2
14-8	4000100300G000	REVERSE CABLE FIXED PLATE	1
14-9	57890601210005	BOLT M6X12 ,GB5789	2
14-10	4000200300G000	SHIFTER DISK	1
14-11	57830602510005	BOLT M6X25 ,GB5783	1
14-12	7020024150G000	Hand brake protection cover	1
14-13	57890501208005	BOLT M5X12 ,GB5789	1
14-14	96000500000005	GB96 WASHER φ5	1
14-15	93000600000005	LOCK WASHER φ6 ,GB93	1

FIG. 15-1 REAR SWING ARM

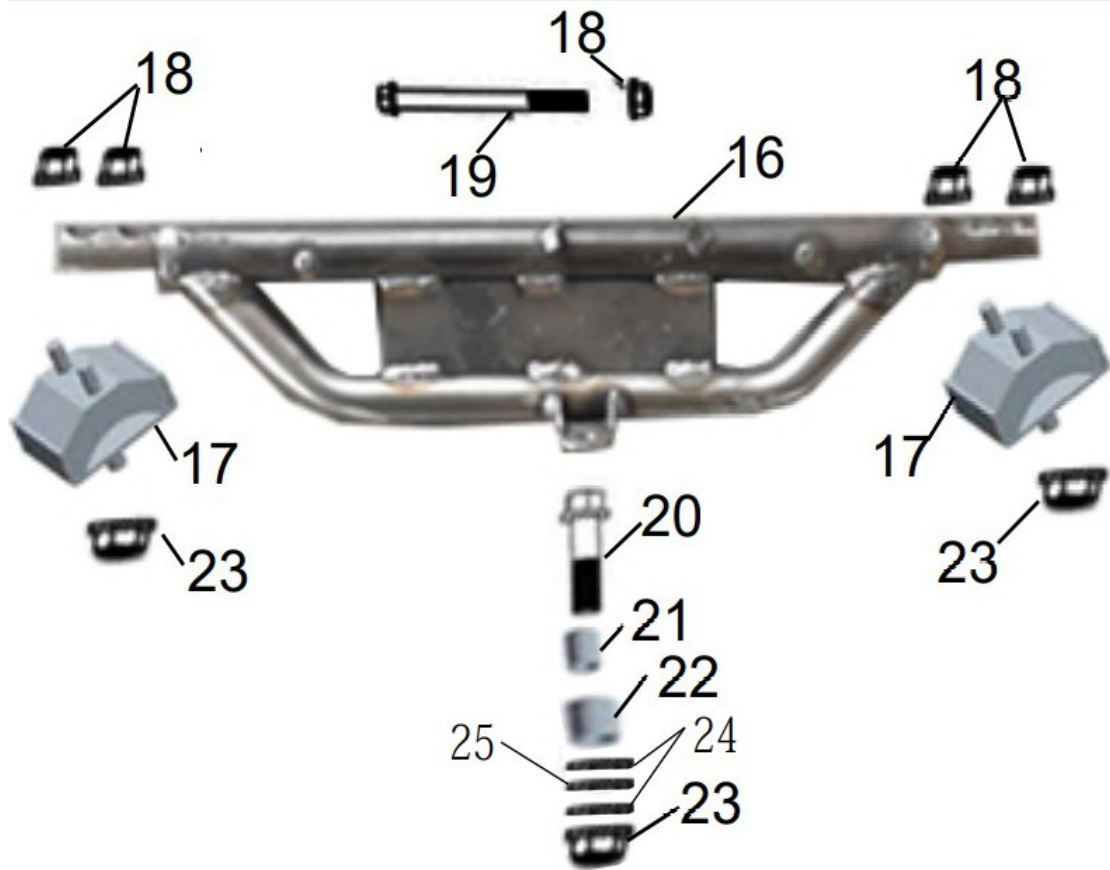
Cheetah 300E only



REAR SWING ARM			
REF NO.	PART NO.	DESCRIPTION	QTY
15-1	58100-K7	REAR SWING ARM	1
15-2	61871600015005	NUT M16X1.5, GB6187	1
15-3	58301-K5	Threaded sleeve	2
15-4	58310-K5	LINKAGE KNUCKLE	1
15-5	94571200012505	NUT M12X1.5, GB9457	1
15-6	93001200000002	GB93 SPRING WASHER ϕ 12	1
15-7	61701400015005	NUT M14X1.5	2
15-8	57891015012505	FLANGE BOLT M10 \times 1.25 \times 150	1
15-9	61871000012505	FLANGE LOCKING NUT M10X1.25	2
15-10	58900-K7	CHAIN ADJUSTER	2
15-11	57870801212505	GB5787 BOLT M8 x12	1
15-12	57890810012505	BOLT M8X100 ,GB5789	1
15-13	93000800000005	LOCK WASHER ϕ 8 ,GB93	2
15-14	61871400015005	NUT M12X1.5, GB6187	2
15-15	GB912502500002	COTTER PIN ϕ 2.5 \times 25, GB91	1

FIG. 15-2 REAR SWING ARM

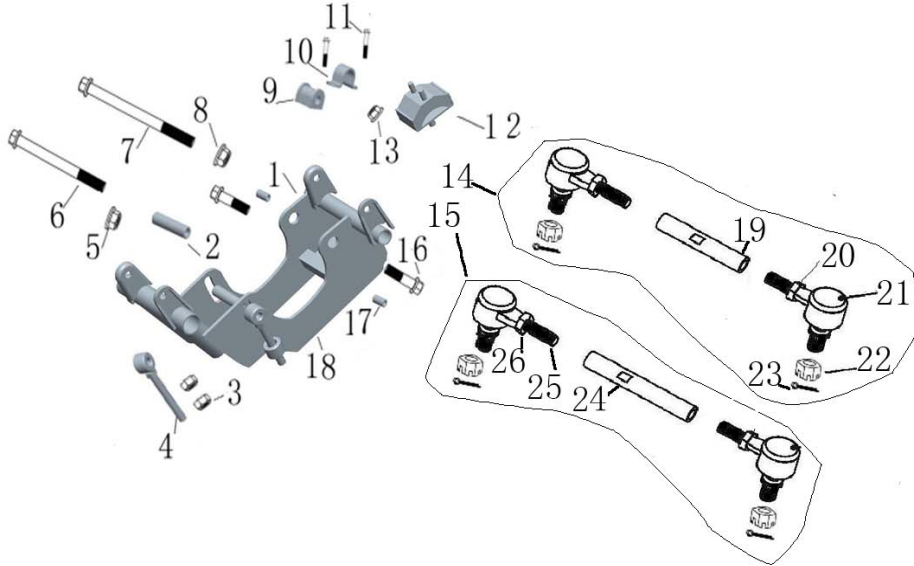
Cheetah 300E only



REAR SWING ARM			
REF NO.	PART NO.	DESCRIPTION	QTY
15-16	58308-K7	Engine lower mounting bracket	1
15-17	58309-K7	Engine cushion seats	2
15-18	61870800012505	FLANGE LOCKING NUT M8X1.25	5
15-19	57870809512505	BOLT M8X95 ,GB5787	1
15-20	57891004012505	FLANGE BOLT M10×1.25×40	1
15-21	58301-K3	MOUNT LINK COLLAR	1
15-22	58302-K3	MOUNT LINK CUSHION	1
15-23	61871000012505	FLANGE LOCKING NUT M10X1.25	5
15-24	96001000000005	GB96 WASHER φ10	2
15-25	50001-150U	Fuel tank rubber	1

FIG. 15 Shaft Mounting

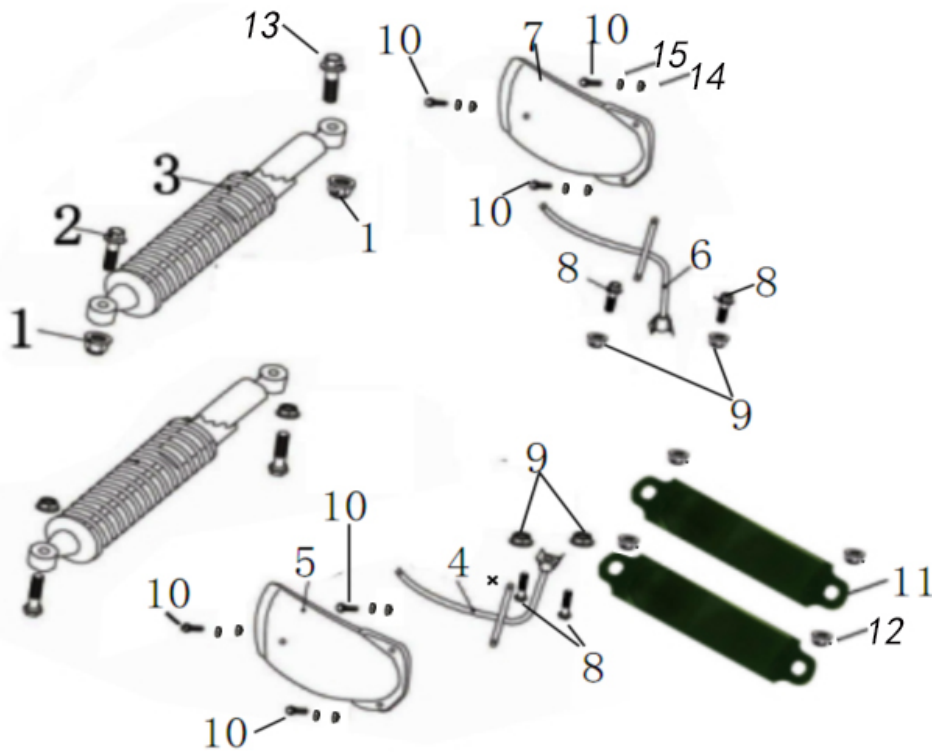
Cheetah 300EX Only



Shaft Mounting			
REF NO.	PART NO.	DESCRIPTION	QTY
15-1	10130-300UB1	drive shaft mounting base	1
15-2	10101-300UB	Collar	1
15-3	GB6170 M12X1.25	Nut M12X1.25	4
15-4	8.147.008-80	Chain adjuster	2
15-5	61871000012505	GB6187 M10*1.25 locking nut	3
15-6	GB5789 M10x100	Bolt M10×1.25×100	1
15-7	GB5789 M10x165	Bolt M10×1.25×165	1
15-9	2.100.001	Balancing rod cushion	2
15-10	8.020.048	Balancing rod bracelet	2
15-11	57870801612505	GB5787 M8*16 bolt	2
15-12	10170-300UB1	Cushion base	1
15-13	GB6187 M8	M8 self-locking nut	2
15-14	54310K-7X	Rear swing arm upper tie rod assy	2
15-15	54320-K7X	Rear swing arm lower tie rod assy	2
15-16	GB5789 M12x25	Bolt M12×1.25×25	2
15-17	10131-300UB1	bushing	2
15-19	54311-K7X	Tie rod 1	2
15-20	GB6170 M12X1.25	Nut M12X1.25	4
15-21	54312-K7X	Rod end 1	4
15-22	94571000012505	Castle nut M12*1.25	8
15-23	GB912503000002	Cotter pin φ2.5×30	8
15-24	54321-K7X	Tie rod 2	4
15-25	54322-K7X	Rod end 2	4

FIG. 16 CUSHION ASSY. RR/REAR FENDER

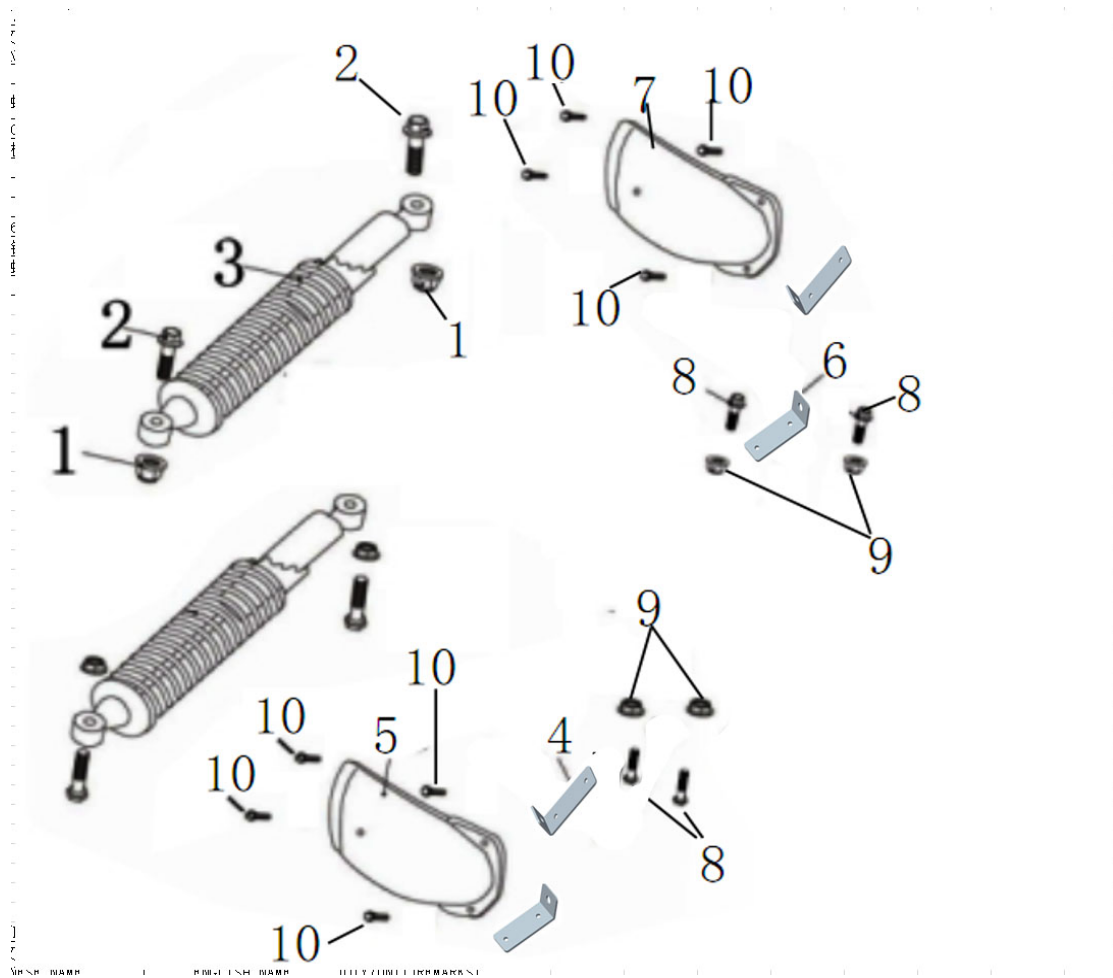
Cheetah 300E only



CUSHION ASSY. RR/REAR FENDER			
REF NO.	PART NO.	DESCRIPTION	QTY
16-1	6000006150G000	CUSHION ASSY. RR	2
16-2	61871000012505	LOCKING FLANGE NUT M10×1.25	4
16-3	57891004012505	FLANGE BOLT M10×1.25×40	2
16-4	58240-K5	REAR FENDER BRACKET.R	1
16-5	65033-K5	REAR FENDER .R	1
16-6	58230-K5	REAR FENDER BRACKET.L	1
16-7	65034-K5	REAR FENDER .L	1
16-8	57870801612505	GB5787 BOLT M8 x16	4
16-9	61870800012505	NUT M8 ,GB6187	4
16-10	57890502008005	GB5789 BOLT M5 x20	6
16-11	58050-K5	Rear Swing Arm Strap	2
16-12	58053-K5	Rear Swing Arm Strap bushing	4
16-13	57891005512505	FLANGE BOLT M10×1.25×55	2
16-14	61700500010005	NUT M5, GB6170	6
16-15	93000500000005	GB93 SPRING WASHER φ5	6

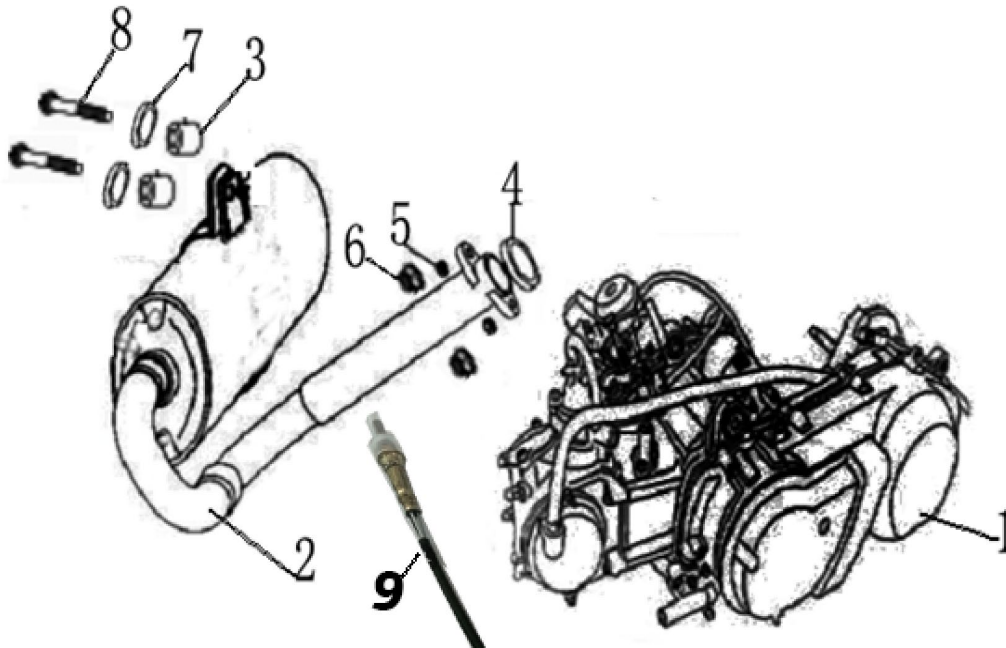
FIG. 16 CUSHION ASSY. RR/REAR FENDER

Cheetah 300EX only



CUSHION ASSY. RR/REAR FENDER			
REF NO.	PART NO.	DESCRIPTION	QTY
16-1	6000006150G000	CUSHION ASSY. RR	2
16-2	61871000012505	LOCKING FLANGE NUT M10×1.25	4
16-3	57891004012505	FLANGE BOLT M10×1.25×40	4
16-4	58232-K7X	REAR FENDER BRACKET.R	2
16-5	65033-K5	REAR FENDER .R	1
16-6	58231-K7X	REAR FENDER BRACKET.L	2
16-7	65034-K5	REAR FENDER .L	1
16-8	57870601612505	GB5787 BOLT M8 x16	4
16-9	61870800012505	NUT M8 ,GB6187	4
16-10	57890601610005	GB5789 BOLT M6 x16	6

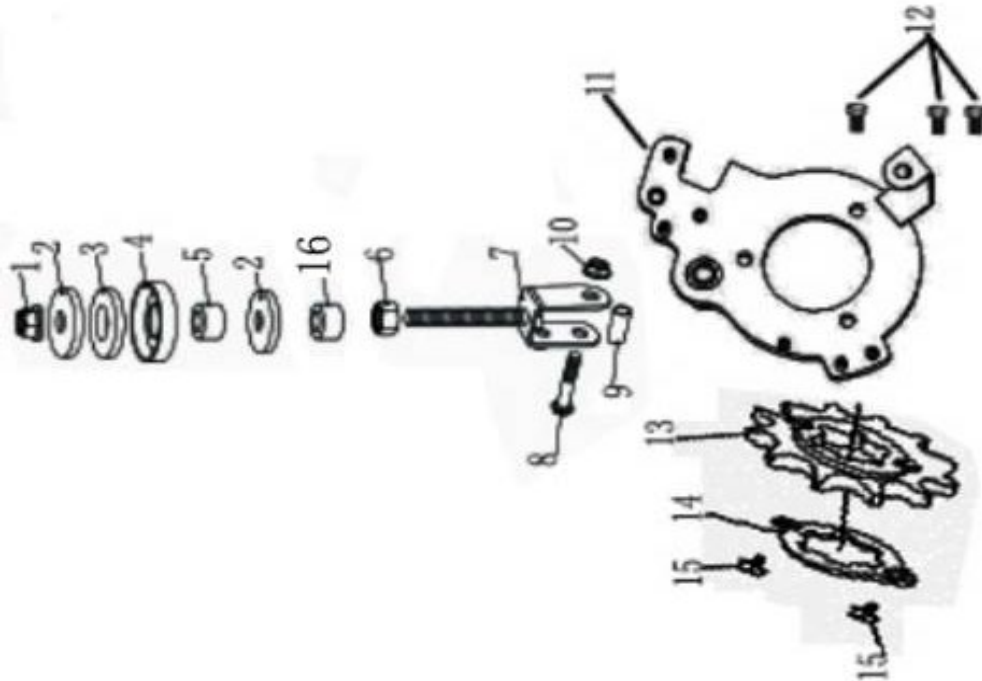
FIG. 17 ENGINE ASSY/MUFFLER COMPLEX



ENGINE ASSY/MUFFLER COMPLEX			
REF NO.	PART NO.	DESCRIPTION	QTY
17-1	173MN	ENGINE ASSY	1
17-2	47100-300U	MUFFLER COMPLEX STAINLESS STEEL	1
17-3	47209-300U	MUFFLER RUBBER	2
17-4	70900500025000	EX. PIPE GASKET	1
17-5	93000800000005	LOCK WASHER $\phi 8$, GB93	2
17-6	61870800012505	LOCKING NUT M8, GB6187	2
17-7	96000800000005	WASHER $\phi 8$, GB96	2
17-8	57870803012505	BOLT M8X30, GB5787	2
17-9	RYY-12A46	Oxygen sensor	1

FIG. 18 ENGINE MOUNT PLATE

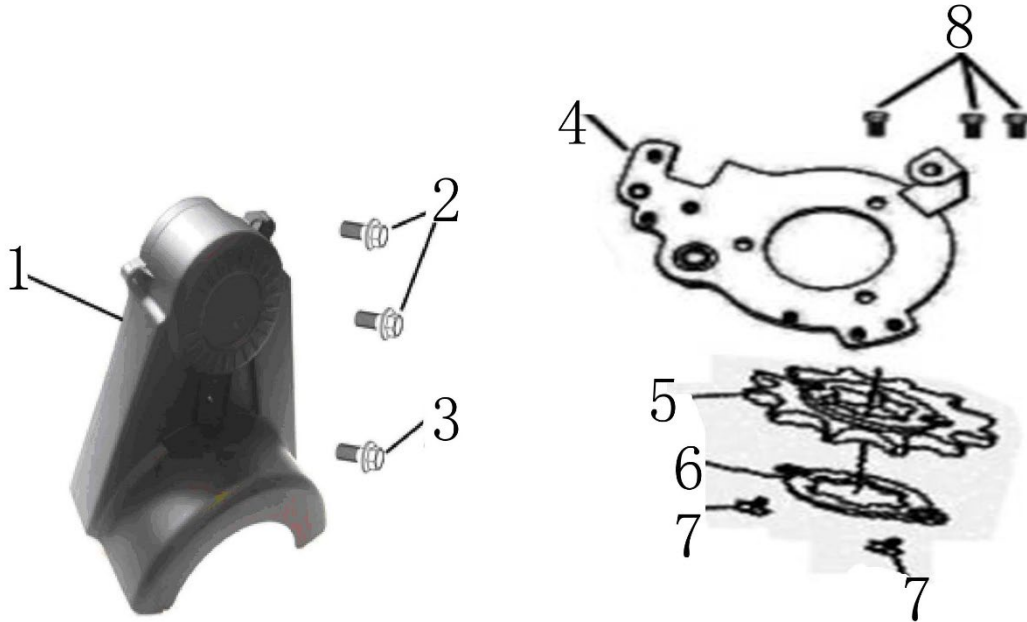
Cheetah 300E only



ENGINE MOUNT PLATE			
REF NO.	PART NO.	DESCRIPTION	QTY
18-1	61871200012505	LOCKING NUT M12X1.25, GB6187	1
18-2	8010042250G100	ENGINE MOUNT LINK WASHER	2
18-3	7020001080G000	ENGINE MOUNT LINK CUSHION	1
18-4	8020045080G100	ENGINE MOUNT LINK SPACER	1
18-5	8010041080G000	ENGINE MOUNT LINK COLLAR	1
18-6	61701200012505	NUT M12X1.25 ,GB6170	1
18-7	6000026150GH00	ENGINE MOUNT BOLT PLATE	1
18-8	57851004512505	BOLT M10X1.25X45 ,GB5785	1
18-9	8010076150G101	ENGINE MOUNT BOLT PLATE COLLAR	1
18-10	61871000012505	LOCKING NUT M10*1.25, GB6187	1
18-11	1010000300G000	ENGINE MOUNT PLATE	1
18-12	57830801612505	BOLT M8X16 ,GB5783	3
18-13	10102-K7	Output Sprocket (10T-530)	1
18-14	157-3.11.126	Sprocket Locating Plate	1
18-15	57870601210005	Bolt M6×12, GB/T16674	2
18-16	58612-150U	ENGINE MOUNT LINK COLLAR2 (16*1.5-25)	1

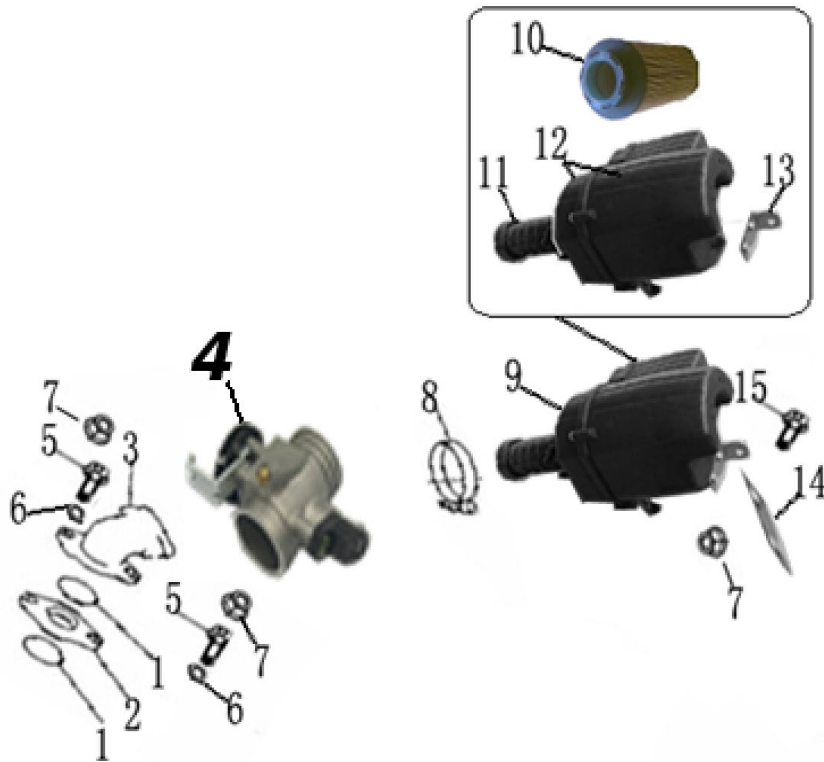
FIG. 18 ENGINE MOUNT PLATE

Cheetah 300EX only



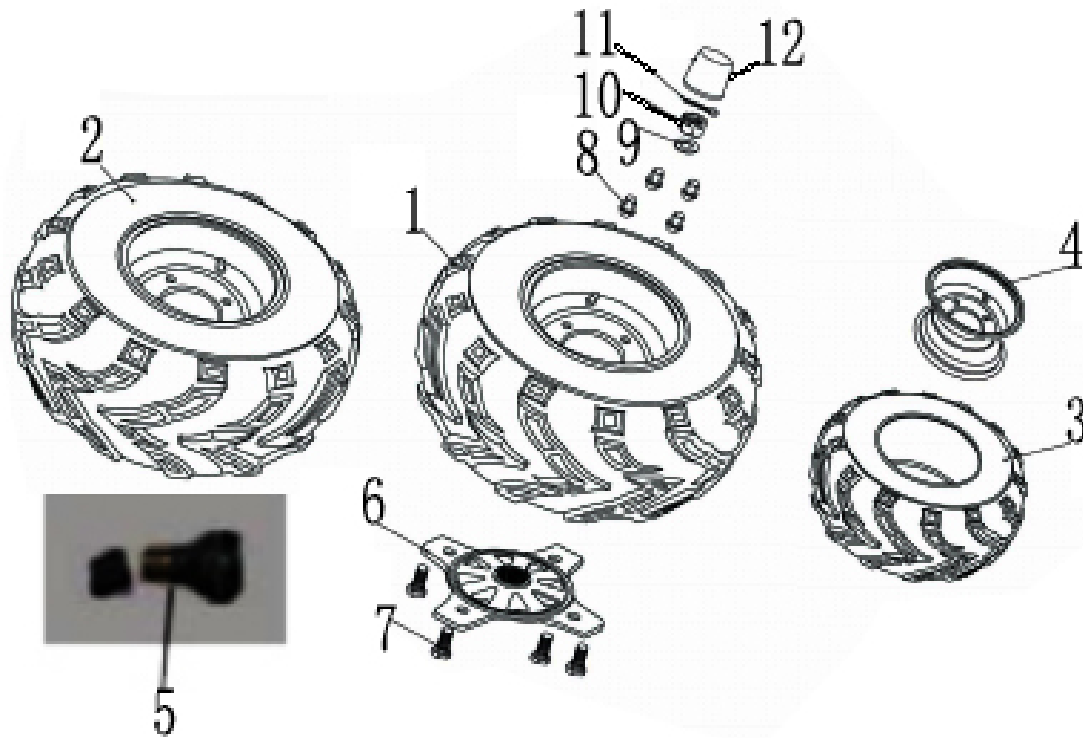
ENGINE MOUNT PLATE			
REF NO.	PART NO.	DESCRIPTION	QTY
18-1	7010133150G001	Chain Cover	1
18-2	57890603010005	M6x30 bolt	2
18-3	57890803012505	M8x30 bolt	1
18-4	1010000300G000	ENGINE MOUNT PLATE	1
18-5	10102-K7	Output Sprocket (10T-530)	1
18-6	157-3.11.126	Sprocket Locating Plate	1
18-7	57870601210005	Bolt M6×12, GB/T16674	2
18-8	57830801612505	BOLT M8X16 ,GB5783	3

FIG. 19 Throttle body / Air filter



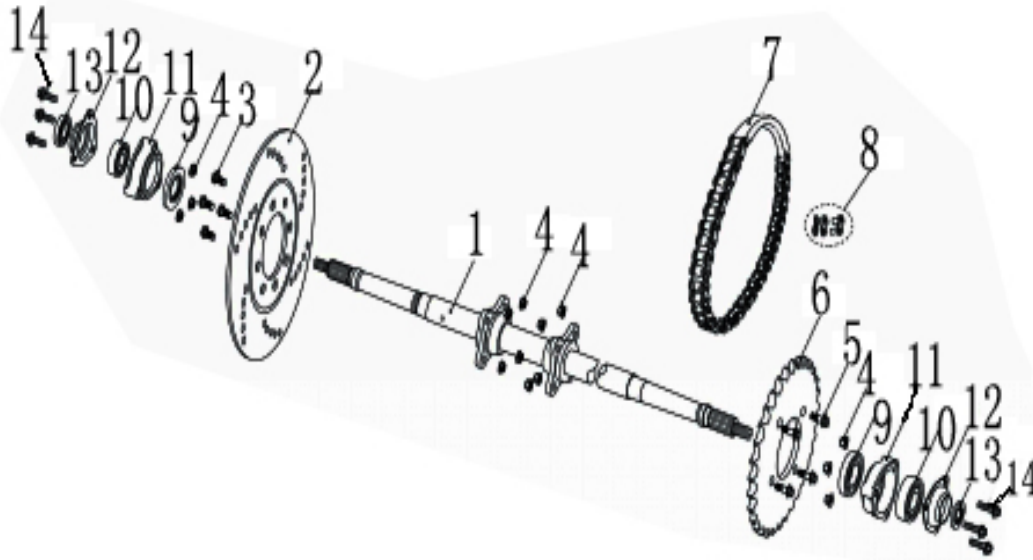
Throttle body / Air filter			
REF NO.	PART NO.	DESCRIPTION	QTY
19-1	169.12.212	O-Ring 35×2	2
19-2	169.08.301	Insulating Mat	1
19-3	13110-UTV300	JOINT tube	1
19-4	RJ34B2	Throttle body	1
19-5	57890602510005	BOLT M6X25 ,GB5789	2
19-6	930006000000005	LOCK WASHER φ6 ,GB93	2
19-7	61870600010005	LOCKING NUT M6. GB6187	3
19-8	4900500300k000	HOSE CLAMP, 38-51	1
19-9	49000-300G	AIR CLEANER ASSY	1
19-10	6000151150G000	FILTER ELEMENT	1
19-11	4910100300G000	AIR CLEANER JOINT	1
19-12	7010048150G000	AIR CLEANER CASE	1
19-13	4900400150G000	AIR CLEANER MOUNT PLATE,	1
19-15	57890601610005	BOLT M6X16 ,GB5789	1

FIG. 20 REAR WHEEL

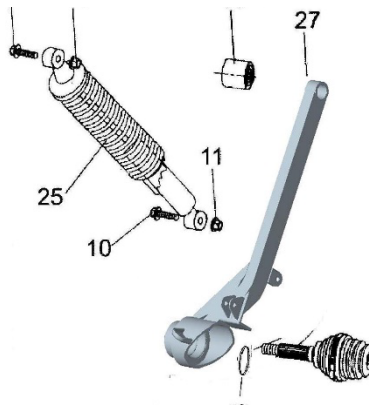


REAR WHEEL			
REF NO.	PART NO.	DESCRIPTION	QTY
20-1	5410000150U001	REAR WHEEL ASSY.L. metal wheel	1
20-1	5410000150U002	REAR WHEEL ASSY.L. AL	1
20-2	5420000150U001	REAR WHEEL ASSY.R. metal wheel	1
20-2	5420000150U002	REAR WHEEL ASSY.R. AL	1
20-3	7020052250G000	TIRE RR.22*10-10	2
20-4	5411000150U001	RIM, REAR WHEEL (metal)	2
20-4	5411000150U002	RIM, REAR WHEEL AL	2
20-5	7190018250G000	TIRE NIPPLE	2
20-6	8010089150G700	REAR WHEEL HUB metal wheel	2
20-6	8010089150U700	REAR WHEEL HUB	2
20-7	9710031250G100	TIRE BOLT M10×1.25×31	8
20-7	9710039250G100	TIRE BOLT M10×1.25×39	8
20-8	8010118250G500	TIRE NUT M10×1.25	8
20-9	97001600000005	WASHER φ16 ,GB97	2
20-10	94571600015005	CASTLE NUT M16X1.5, GB9457	2
20-11	GB914004000002	COTTER PIN φ4×40, GB91	2
20-12	7020039250G001	HUB COVER metal wheel	2
20-12	7020039250G000	HUB COVER	2

FIG. 21 REAR AXLE

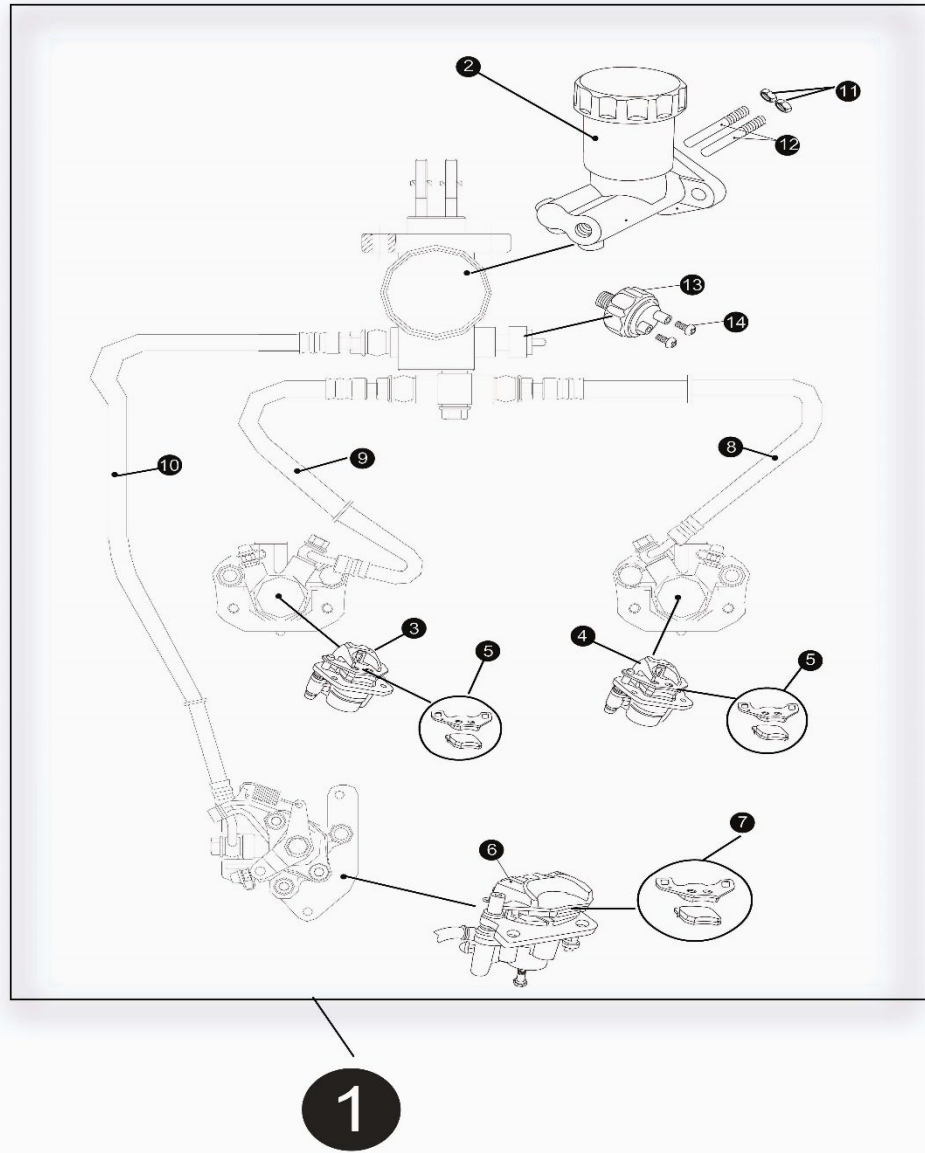


REAR AXLE			
REF NO.	PART NO.	DESCRIPTION	QTY
21-1	8010057150G0A0	REAR AXLE	1
21-2	8010053250G000	RR. BRAKE DISC	1
21-3	57870802512505	BOLT M8X25 ,GB5787	4
21-4	61870800012505	LOCKING NUT M8, GB6187	14
21-5	70000804512505	BOLT M8X45 ,GB70	4
21-6	8010077250G000	REAR SPROCKET (39T-530)	1
21-7	530H-52	DRIVE CHAIN (52-530H)	1
21-8	6000149150G000	CHAIN MASTER LINK (530H)	1
21-9	YF050003400700	DUST SEAL 50X34-7	2
21-10	62062RS00000000	BEARING 6206-2RS	2
21-11	8030008150G100	RR. AXLE BEARING HOUSING COMP	2
21-12	8020028150G100	BEARING BASE	2
21-13	YF042003000700	DUST SEAL 42X30-7	2
21-14	57870804012505	BOLT M8X40 ,GB5787	6
21-15	93000800000005	LOCK WASHER φ8 ,GB93	8
	6.000.243-K7X	Balancing rod	1
	63100-K7X	Rear shock	2
	54220-K7X	Right rear swing arm Connecting rod	1
	54210-K7X	left rear swing arm Connecting rod	1



(Cheetah 300EX Only)

FIG. 22 BRAKE SYSTEM



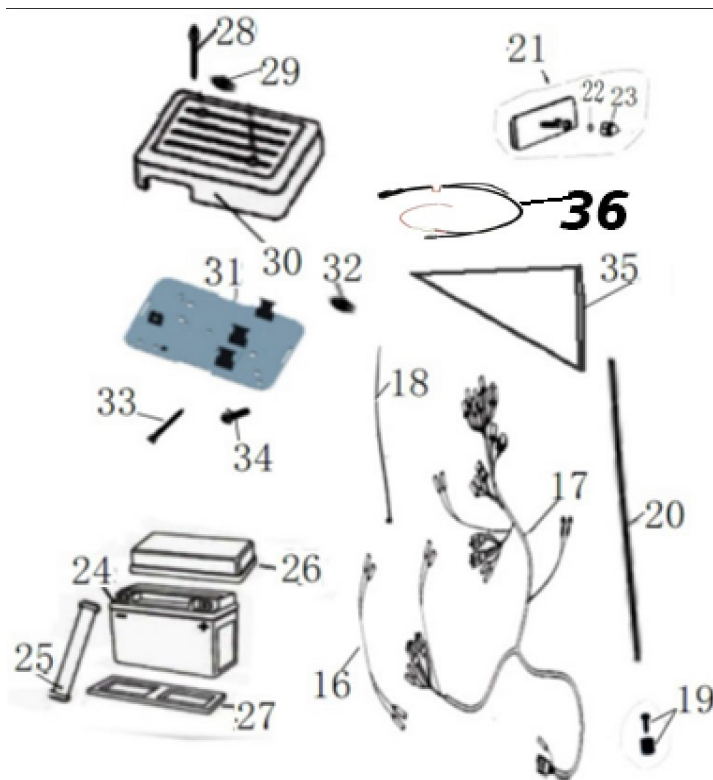
BRAKE SYSTEM			
REF NO.	PART NO.	DESCRIPTION	QTY
22-1	45000-150	BRAKE ASSY.	1
22-2	6.000.076	BRAKE MASTER CYLINDER	1
22-3	6.000.095	FRONT BRAKE CALIPER R.	1
22-4	6.000.028	FRONT BRAKE CALIPER L.	1
22-5	7.020.016	FRONT BRAKE CALIPER PAD SET	2
22-6	6.000.229	BRAKE CALIPER ASSY.RR	1
22-7	7.020.022	REAR BRAKE CALIPER PAD SET	1
22-8	6.000.089	HOSE ASSY.L.BRAKE 34"	1
22-9	6.000.090	HOSE ASSY.R.BRAKE 43"	1
22-10	6.000.091	HOSE ASSY.RR.BRAKE 75"	1
22-11	8.010.081	BRAKE SPINDLE PIN	2
22-12	617008000125	NUT M8	2

FIG. 23 SWITCH /electrical equipment 1



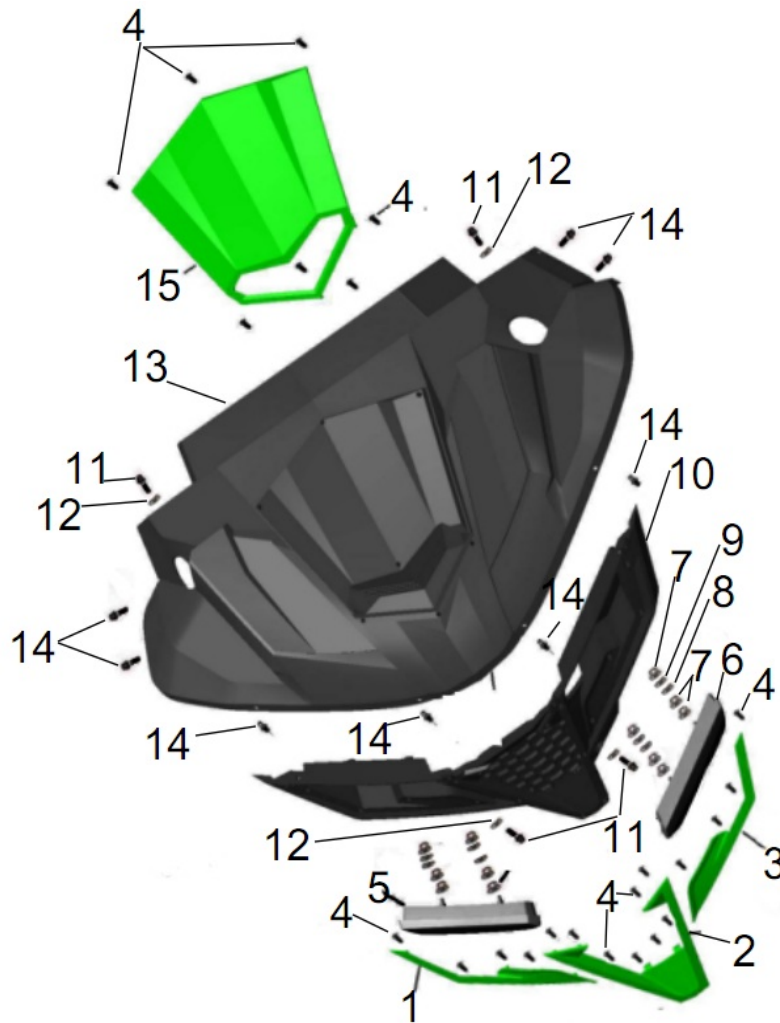
SWITCH /electrical equipment 1			
REF NO.	PART NO.	DESCRIPTION	QTY
23-1	80031-K5	HORN switch	1
23-2	80032-K5	TURN SIGNAL LAMP switch	1
23-3	57890601210005	FLANGE BOLT M6X12	1
23-4	80036-K5	HORN	1
23-5	80033-K5	headlamp switch	1
23-6	80034-K5	ENGINE STOP SWITCH	1
23-7	80035-K5	Ignition switch	1
23-8	81800603010004	GB818 BLOT M6X30	2
23-9	61870600010005	LOCKING FLANGE NUT M6	3
23-10	6000124300U000	voltage regulator	1
23-11	6000035300U000	STARTING RELAY	1
23-12	HZE-C-15/CY300	ECU	1
23-15	RM1A1	ICM	1

FIG. 23 SWITCH /electrical equipment 2



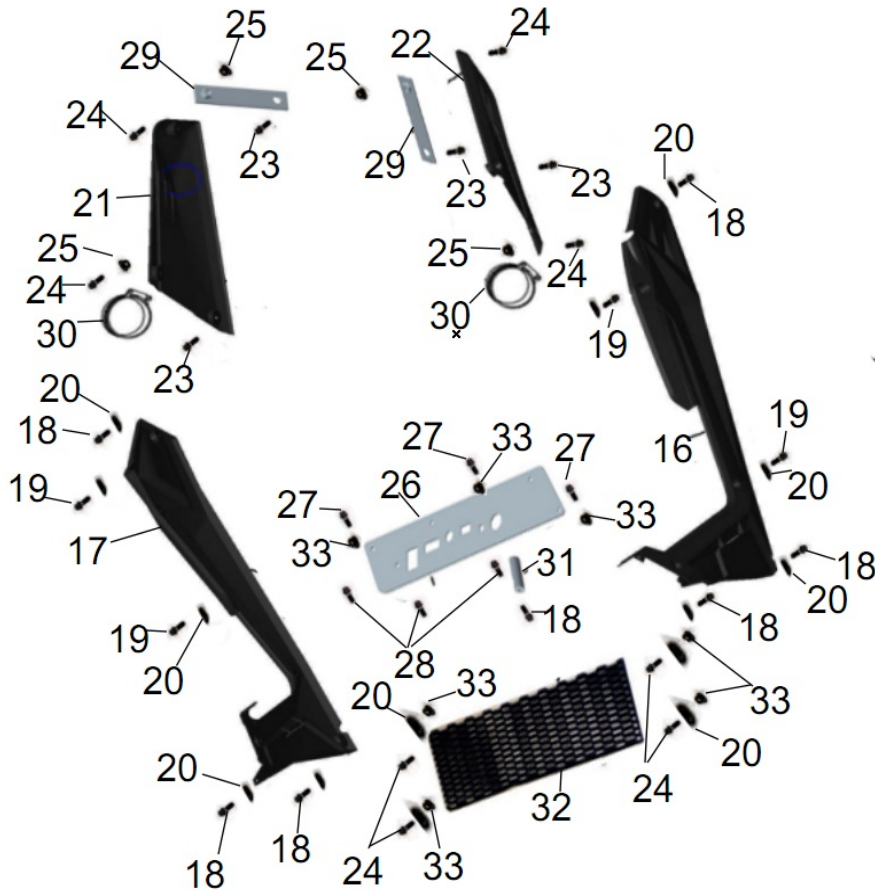
SWITCH /electrical equipment 2			
REF NO.	PART NO.	DESCRIPTION	QTY
23-16	80026-K7	BATTERY CABLE	1
23-17	80025-K7	WIRE HARNESS	1
23-18	12111208035	ribbon	21
23-19	0001000250G000	Flagpole holder	1
23-20	0000100250G000	flagpole	1
23-21	8006000300K000	REAR REFLECTOR	1
23-22	97000500000005	GB97 WASHER ϕ 5	1
23-23	61700500010005	GB6170 NUT M5	1
23-24	6000382250G000	BATTERY 12V 12AH	1
23-25	7020023250G000	BATTERY STRAP	1
23-26	7010028250G000	BATTERY COVER	2
23-27	7020020250G000	LOWER BATTERY CUSHION	1
23-28	57870608010004	GB5787 BLOT M6X80	2
23-29	96000600000005	GB96 WASHER ϕ 6	2
23-30	7010029250G000	Electric box cover	1
23-31	80188-K7	Electrical installation board assembly	1
23-32	61870800012505	GB6187 LOCKING FLANGE UNT.M8	1
23-33	57890610010005	FLANGE BOLT M6X100	2
23-34	57890601610005	FLANGE BOLT M6X16	1
23-35	0000200250G000	Flag	1
23-36	RX-YT-K5-175	EFI wire	1

FIG. 24 Plastic parts 1



Plastic parts 1			
REF NO.	PART NO.	DESCRIPTION	QTY
24-1	65103-K5	Decorative parts(L)	1
24-2	65104-K5	Decorative parts(F)	1
24-3	65105-K5	Decorative parts(R)	1
24-4	84503200800005	BOLT ST3.2*8 ,GB845	23
24-5	81100-K5	Headlights(R)	1
24-6	81300-K5	Headlights(L)	1
24-7	61700500010005	NUT M6, GB6170	12
24-8	96000500000005	WASHER φ5, GB96	4
24-9	93000500000005	LOCK WASHER φ5 ,GB93	4
24-10	65106-K5	Front cover	1
24-11	57890601210005	FLANGE BOLT M6X12	4
24-12	96000600000005	WASHER φ6, GB96	4
24-13	65108-K5	cover	1
24-14	9.116.006	BULGE BOLT φ6	8
24-15	65112-K5	Decorative cover	1

FIG. 24 Plastic parts 2



Plastic parts 2			
REF NO.	PART NO.	DESCRIPTION	QTY
24-16	65107-K5	Left cover	1
24-17	65109-K5	Right cover	1
24-18	57890601210005	BOLT M6X12 ,GB5789	7
24-19	57890600810005	BOLT M6X8 ,GB5789	4
24-20	96000600000005	WASHER φ6, GB96	14
24-21	65111-K5	Rear right cover	1
24-22	65113-K5	Rear Left cover	1
24-23	57890601610005	BOLT M6X16 ,GB5789	4
24-24	57890602010005	BOLT M6X20 ,GB5789	8
24-25	61870600010005	NUT M6, GB6187	4
24-26	65122-K5	Switch board	1
24-27	73800601610005	BOLT M6X16 ,ISO7380	3
24-28	9.116.006	BULGE BOLT φ6	3
24-29	58047-80X-K5	Rear cover Mounting plate	2
24-30	65030-K5	HOSE CLAMP	2
24-31	65031-K5	Support sleeve	1
24-32	65032-K5	Front decoration cover	1
24-33	61770600010005	NUT M6, GB6177	7

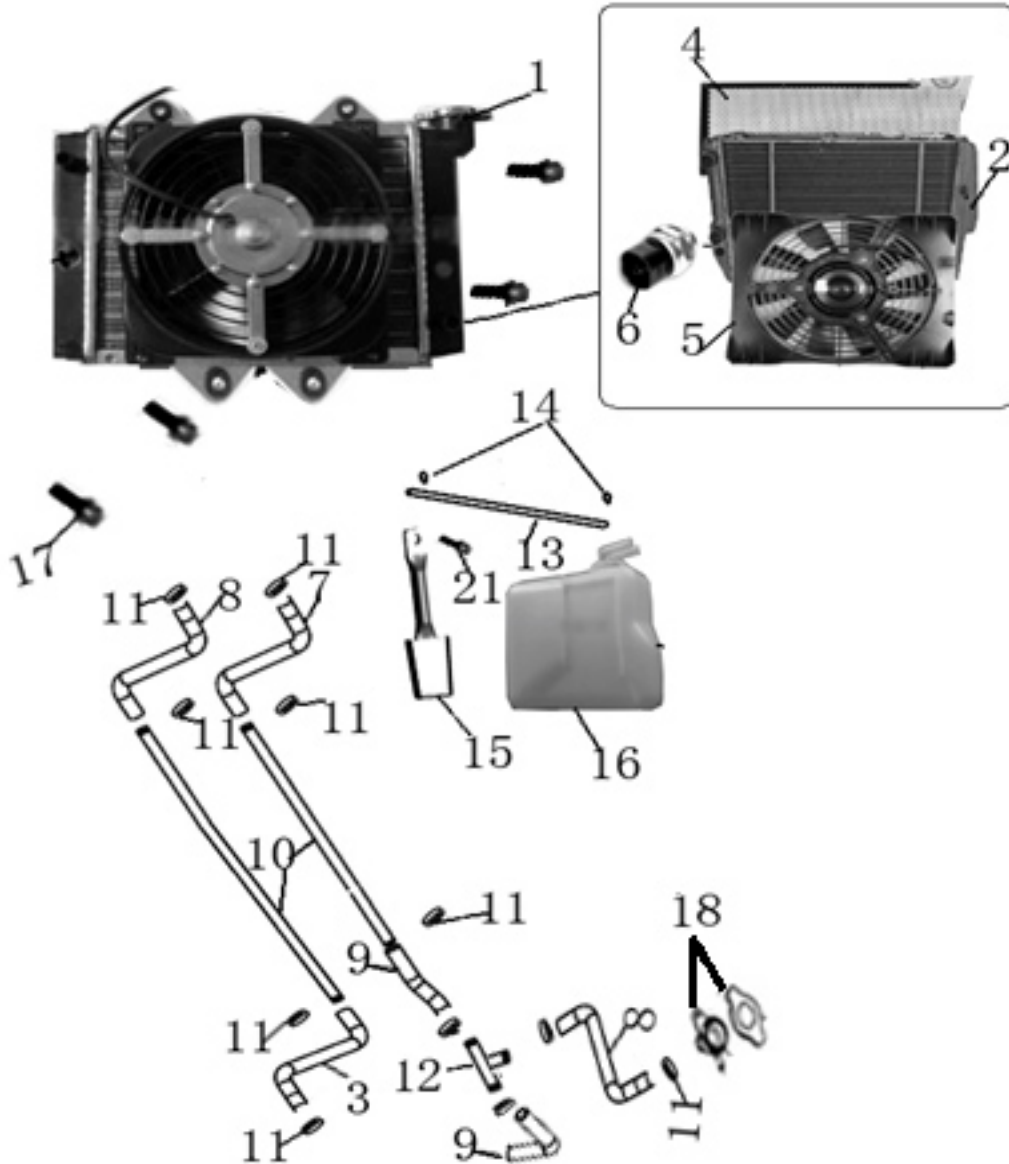
FIG. 25 Stickers/ Manual



Stickers/ Manual			
REF NO.	PART NO.	DESCRIPTION	QTY
25-1	90720-150U	Warning label	1
25-2	90771-K5	Owner's Manual	1
25-3	90730-K5	Type of decal	2
25-4	90901-CHEETAH150	EPA Hang tag	1
25-5	90902-150U	EPA anti-counterfeiting labeling	1
25-6	7110003-300U	SPARK PLUG SOCKET	1
25-7	65060-K5	DECORATIVE NET	1
24-23	57890601610005	BOLT M6X16 ,GB5789	4
24-24	57890602010005	BOLT M6X20 ,GB5789	8

FIG. 26 Cooling System

Cheetah 300E

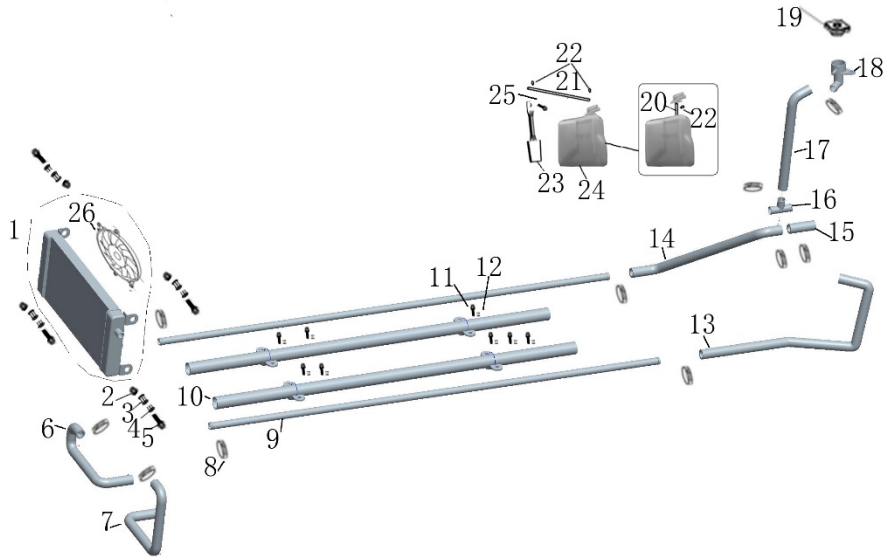


Cooling System			
REF NO.	PART NO.	DESCRIPTION	QTY
26-1	14210-K7	RADIATOR ASSY.	1
26-2	14211-K7	RADIATOR	1
26-3	14822-K7	Engine water refill hose	1
26-4	14823-K7	pad	1
26-5	14824-K7	FAN ASSY	1
26-6	14215-300U	HEAT SENSITIVE SWICH	1
26-7	14825-K7	Radiator inlet Hose	1
26-8	14826-K7	Radiator outlet Hose	2
26-9	14003-300U	Engine inlet Hose	1

26-10	14827-K7	water pipe (Iron)	2
26-11	7.090.044	TUBE CLAMP ϕ 16-25	12
26-12	14828-K7	T-connection	1
26-13	14222-300U	water hose Φ 6* Φ 10*160	1
26-14	621A0900000000	TUBE CIRCLIP ϕ 9	3
26-15	14220-300U	Cooling pot	1
26-16	14829-K7	Cooling pot holder	1
26-17	57890603010005	BOLT M6X30 ,GB5789	4
26-18	14830-K7	Water filling port	1
26-21	57890601610005	BOLT M6X16 ,GB5789	1

FIG. 27 Cooling System

Cheetah 300EX only

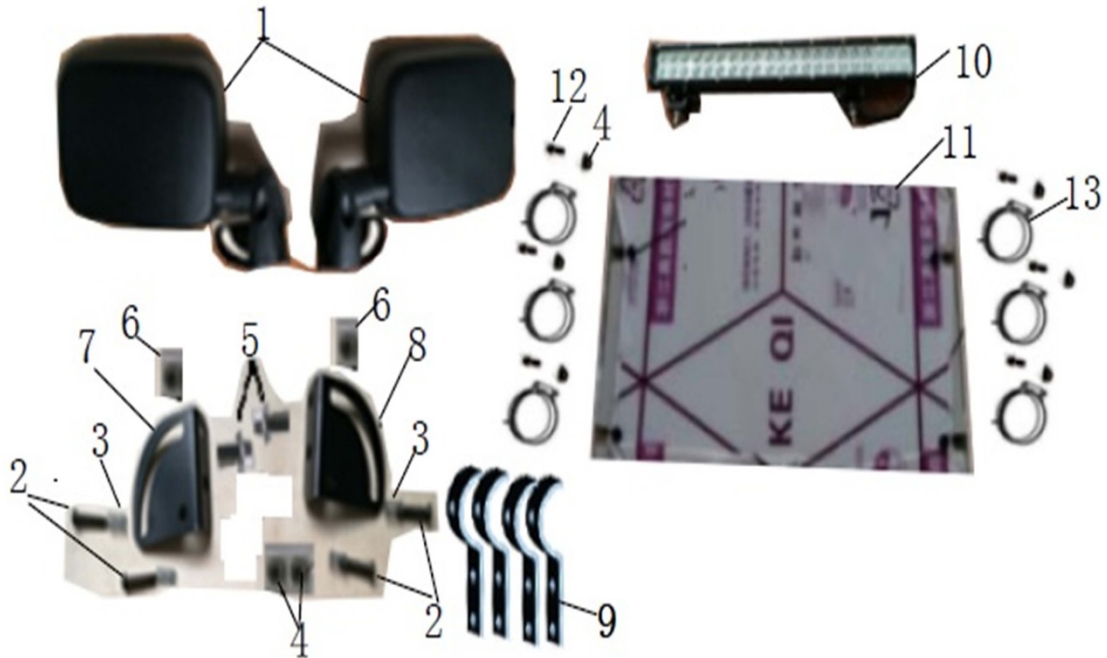


Cooling System			
REF NO.	PART NO.	DESCRIPTION	QTY
27-1	14210-K7	RADIATOR ASSY.	1
27-2	61870800012505	NUT M8 ,GB6187	4
27-3	7020005250G000	250 Fuel tank rubber mount	4
27-4	5800400300K000	Fuel tank collar	4
27-5	57890603010005	BOLT M6X30 ,GB5789	4
27-6	14012-K7	Water fill hose	1
27-7	14011-K7	Water drain hose	1
27-8	7.090.044	TUBE CLAMP ϕ 16-25	12
27-9	14004-K7	water pipe (Iron)	2
27-10	14010-K7	Hose protection	2
27-11	140011-K7	Busing	8
27-12	57890803010005	BOLT M6X30 ,GB5789	8
27-13	14003-K7	Engine inlet Hose	1
27-14	14002-K7	Radiator outlet Hose	1
27-15	14005-K7	Engine water refill hose	1
27-16	14006-K7	T-Connection	1
27-17	14001-K7	TUBE COMP.WATER	1
27-18	14008-K7	WATER FILLER	1

27-19	14212-300U	RADITOR COMP.COVER	1
27-20	14221-300U	water hose $\Phi 6 \times \Phi 10 \times 320$	1
27-21	14222-300U	water hose $\Phi 6 \times \Phi 10 \times 160$	1
27-22	621A0900000000	TUBE CIRCLIP $\varphi 9$	3
27-23	FR-S059-01-00	Cooling pot holder	1
27-24	14220-300U	Cooling pot	1
27-25	57890603010005	BOLT M6X30 ,GB5789	1
27-26	14410-K7	FAN COMP.	1

FIG. 28 Accessory

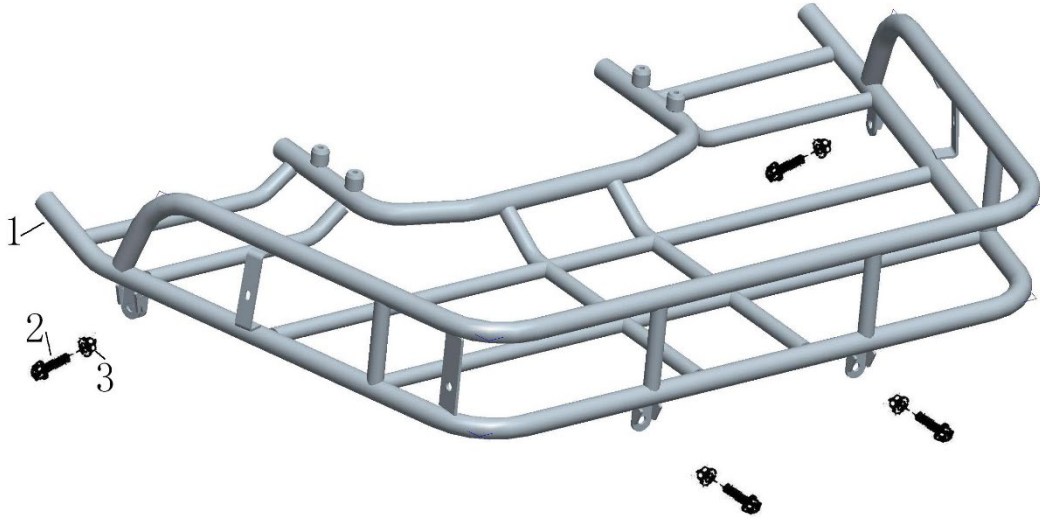
Cheetah 300EX only



Accessory			
REF NO.	PART NO.	DESCRIPTION	QTY
28-1	8005000250G000	Rear view mirror	1
28-2	81800603010005	BOLT M6X30 ,GB818	4
28-3	57019-300UB	Rear view mirror SPRING	4
28-4	61870600010005	LOCKING NUT M6, GB6187	14
28-5	57870802012505	BOLT M8X20 ,GB5787	2
28-6	61870800012505	LOCKING NUT M8, GB6187	2
28-7	548001-300UB	Mirror mounting plate, R	1
28-8	548002-300UB	Mirror mounting plate, L	1
28-9	80081-150U	windshield mounting plate	4
28-10	80054-150UB-01	DOME LIGHT	1
28-11	65041-K5	windshield	1
28-12	57890603510005	BOLT M6X35 ,GB5789	6
28-13	65030-K5	HOSE CLAMP	6

FIG. 29 Rear Rack

Cheetah 300EX only



Accessory			
REF NO.	PART NO.	DESCRIPTION	QTY
29-1	52100-K7X	Rear Rack	1
29-2	GB5789	BOLT M10X20 ,GB5789	4
29-3	GB6187	NUT M10*1.25, GB6187	4