

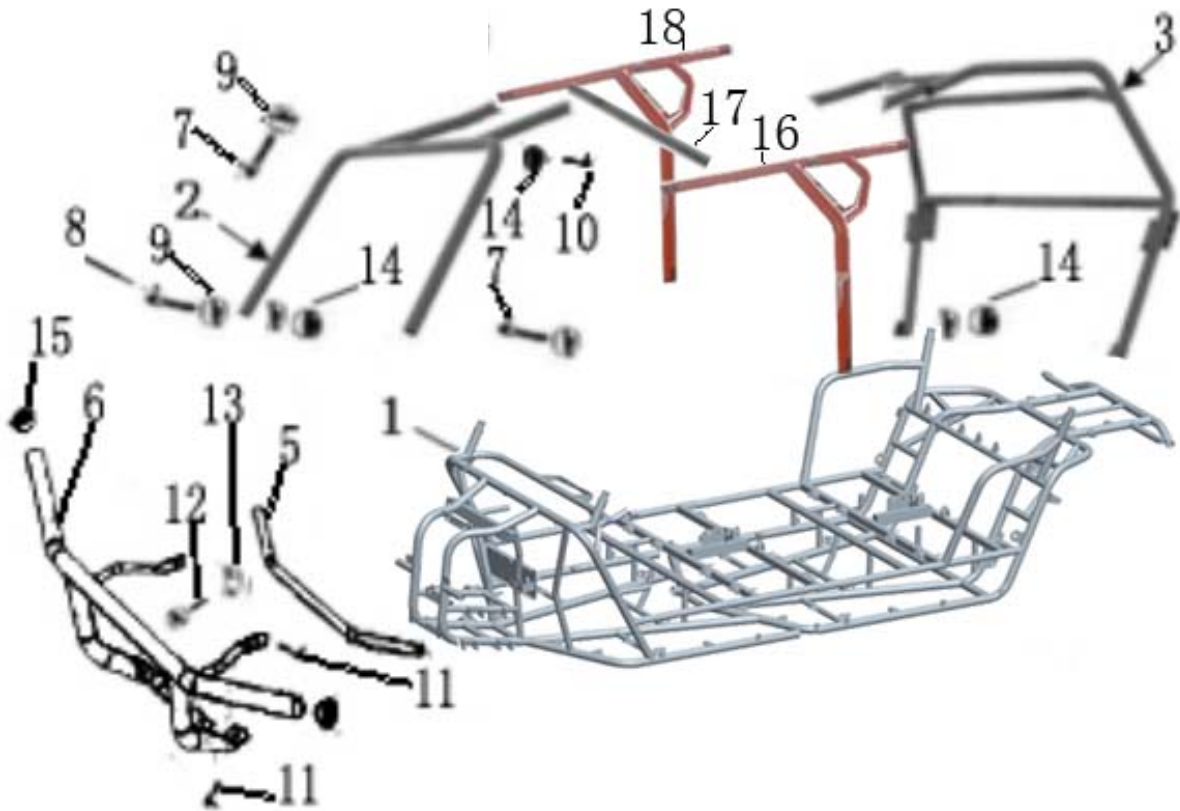


TRAILMASTER Challenger4 300E PARTS MANUAL

VERSION:1.0

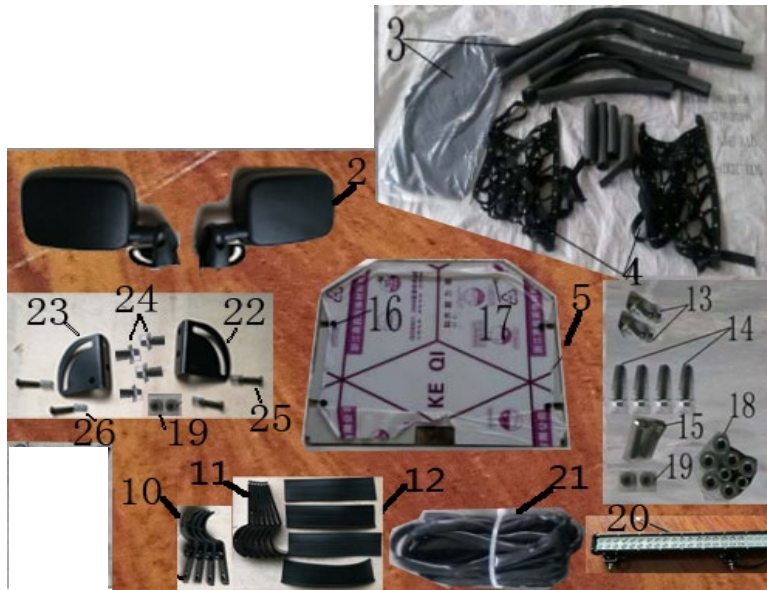
03/20/2023

- 2 -
FRAME GROUP



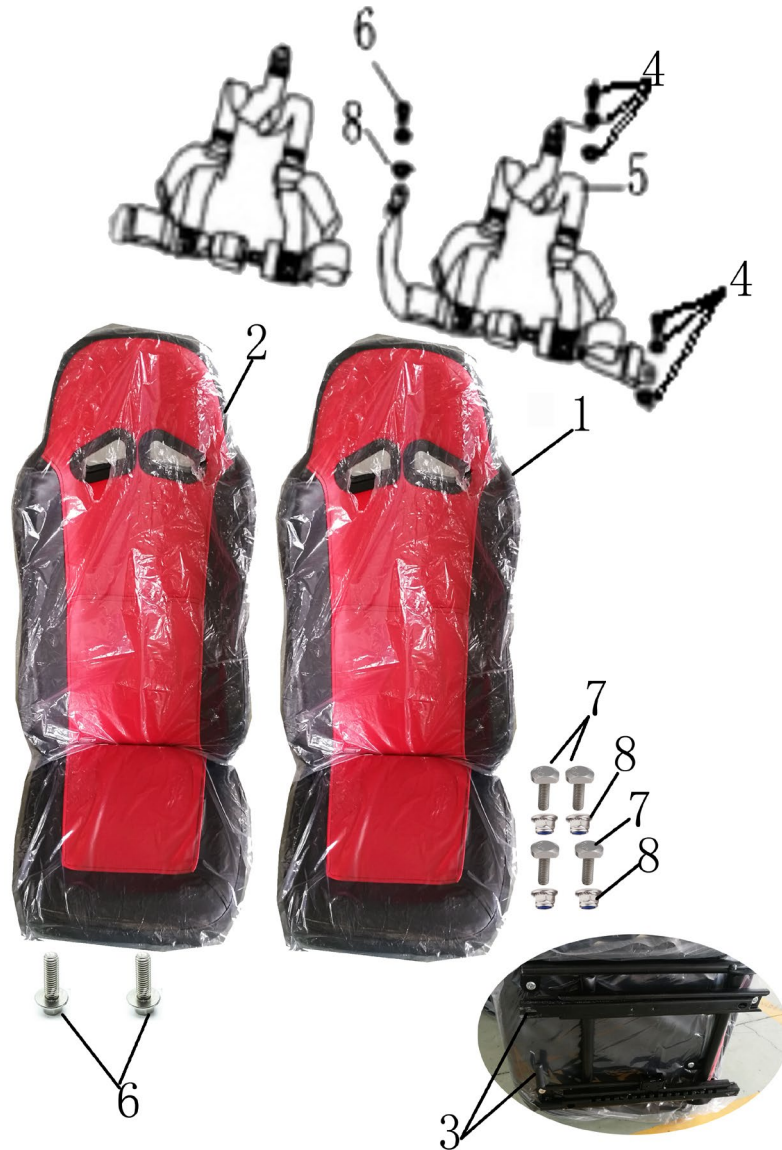
NO.	CODE	DESCRIPTION	QTY.	
1	57100-300UB	FRAME COMP.(R.S.B)	1	
2	19-0801020	ROLL CAGE front	1	
3	19-0801030	ROLL CAG rear	1	
5	58010-150U	FRONT FENDER BRACKET	1	
6	58200-150U	PROTECTING BAR	1	
7	57870805512505	BOLT M8X55, GB5787	4	
8	57870806012505	BOLT M8X60, GB5787	4	
9	8010047250G00	R- WASHER	18	
10	57870803012505	BOLT M8X30, GB5787	8	
11	57870801612505	BOLT M8X16, GB5787	4	
12	57890601610005	BOLT M6X16, GB5789	2	
13	96000600000005	WASHER φ6, GB96	2	
14	61870800012505	LOCKING NUT M8, GB6187	14	
15	65102-150U	COVER PROTECTING BAR	2	
16	58410-300U4	Mid. Left side roll bar	1	
17	58420-300U4	Mid. top roll bar	1	
18	58430-300U4	Mid. right side roll bar	1	

ACCESSORIES



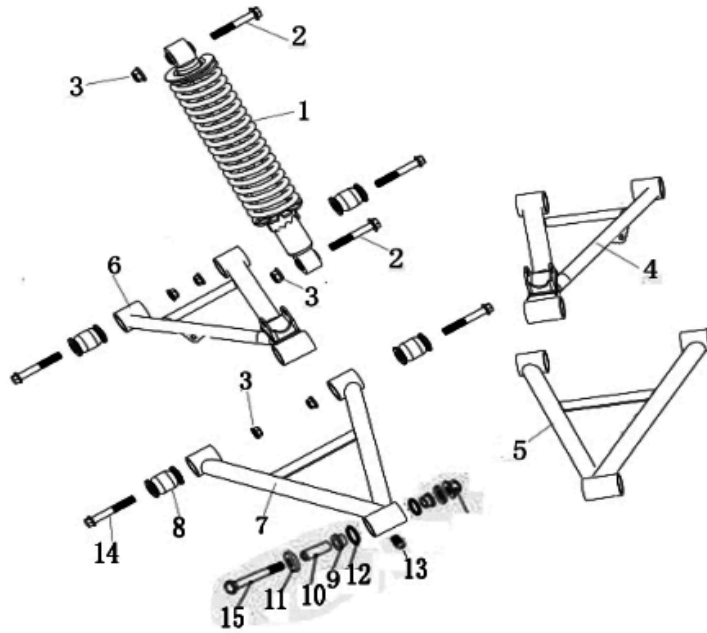
ACCESSORIES			
REF NO.	PART NO.	DESCRIPTION	QTY
2	8005000250G000	REAR VIEW MIRROR	1
3	80051-150U	AWNING	1
4	80052-150U	SIDE NETS DOOR	2
5	80053-150U-New	WINDSHIELD 4MM	1
10	80080-150U	WINDSHIELD MOUNT PLATE 2	4
11	80081-150U	WINDSHIELD MOUNT PLATE	6
12	80082-150U	WINDSHIELD RUBBER MAT	4
13	57870801612505	BOLT M8X16, GB5787	4
14	57870803012505	BOLT M8X30, GB5787	4
15	57890603010005	BOLT M6X30, GB5789	2
16	7020005250G000	RUBBER MOUNT	6
17	5800400300K000	COLLAR	6
18	61870800012505	LOCKING NUT M8, GB6187	8
19	61870600010005	LOCKING NUT M6, GB6187	6
20	80054-150UB	LED LIGHT BAR	1
21	80054-150U-Acc	LIGHT BAR WIRE	1
22	548001-300UB	MIRROR MOUNTING PLATE, R	1
23	548002-300UB	MIRROR MOUNTING PLATE, L	1
24	57870802012505	BOLT M8X20, GB5787	4
25	81800603010005	BOLT M6X30, GB5787	4
26	57019-300UB	REAR VIEW MIRROR SPRING	4

Seat & Safety Belt



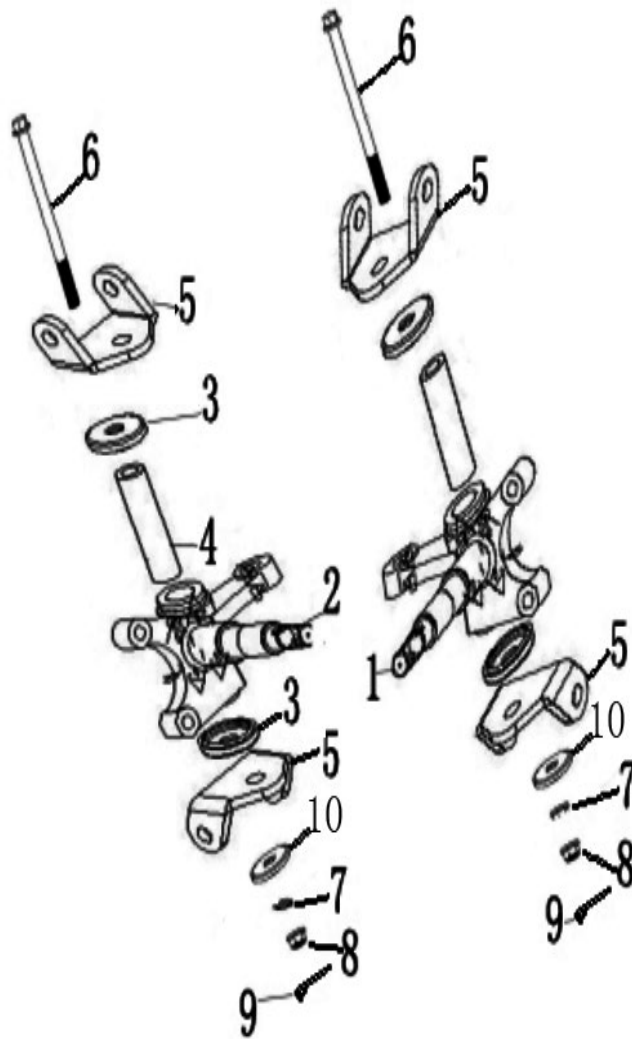
Item	Code	Description	Qty
1	51110-150UB	HEAD REST AND BACK	4
2	51110-150U	1 st row SEAT ONLY	2
	51120-150U	2 nd row PASSENGER right SEAT ONLY, with gap	1
	51100-K5	2 nd row PASSENGER left SEAT	1
3	51001-150U	DRIVER SEAT SLIDER	1
4	9.700.001	SAFETY BELT SPECIAL BOLT	4
5	19-0800401	SAFETY BELT	4
6	57870801612505	BOLT M8X16 ,GB5787	4
7	37000802012505	BOLT M8X16 ,GB37	4
8	61870800012505	LOCKING NUT M8,GB6187	6

Front Suspension



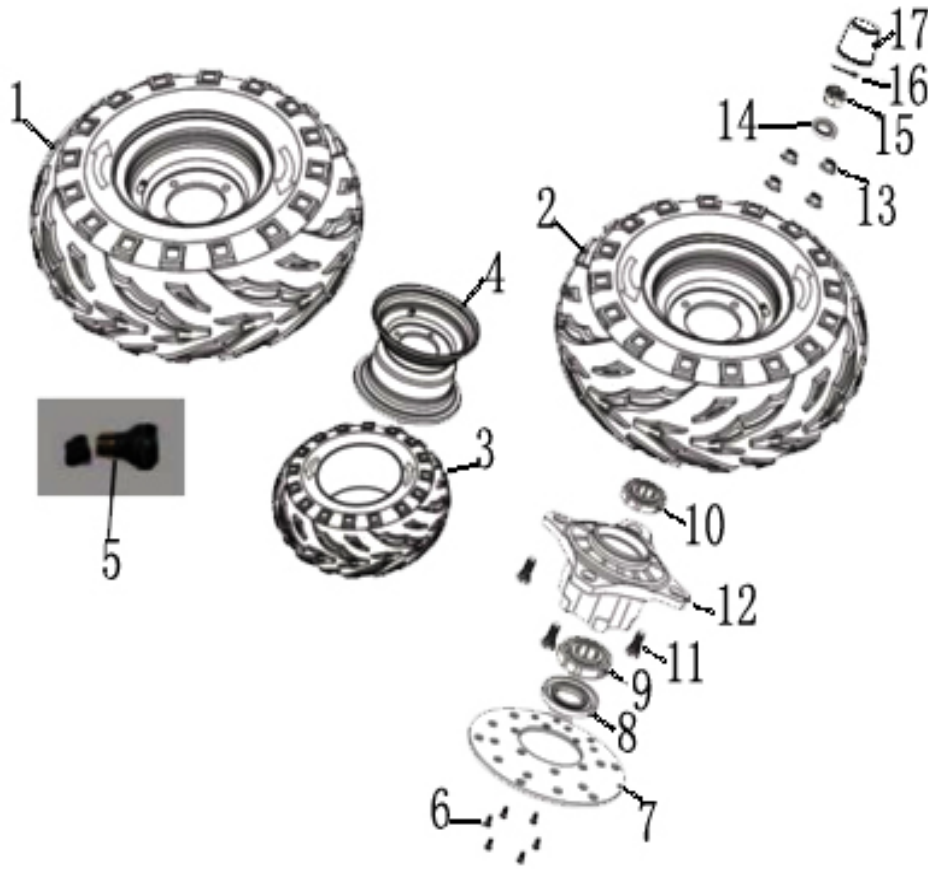
No.	Code	Description	Qty
1	43100-300U	CUSHION ASSY.,FR(L=430)	2
2	57891004012505	BOLT M10X1.25X40 ,GB5789	4
3	61871000012505	LOCKING NUT M10X1.25,GB6187	16
4	58730-150U-01	FRONT UPPER SUSPENSION ARM ASSY.L.(430 CUSHION)	1
5	58710-150U-01	FRONT LOWER SUSPENSION ARM ASSY.L	1
6	58760-150U-01	FRONT UPPER SUSPENSION ARM ASSY.R.(430 CUSHION)	1
7	58750-150U-01	FRONT LOWER SUSPENSION ARM ASSY.R	1
8	58720N	SUSPENSION ARM CUSHION BUSH	8
9	7010002250G000	SUSPENSION ARM BUSH	8
10	58701-150U	FRONT SUSPENSION ARM COLLAR	4
11	8020034250G100	LOWER SUSPENSION ARM DUSH CAP	8
12	9.040.001	O-RING ϕ 21.2*2.65	8
13	54006400N000	Grease nipple	4
14	57891007012505	BOLT M10X1.25X70 ,GB5789	8
15	57891008012505	BOLT M10X1.25X80 ,GB5789	4

Front Wheel Hub



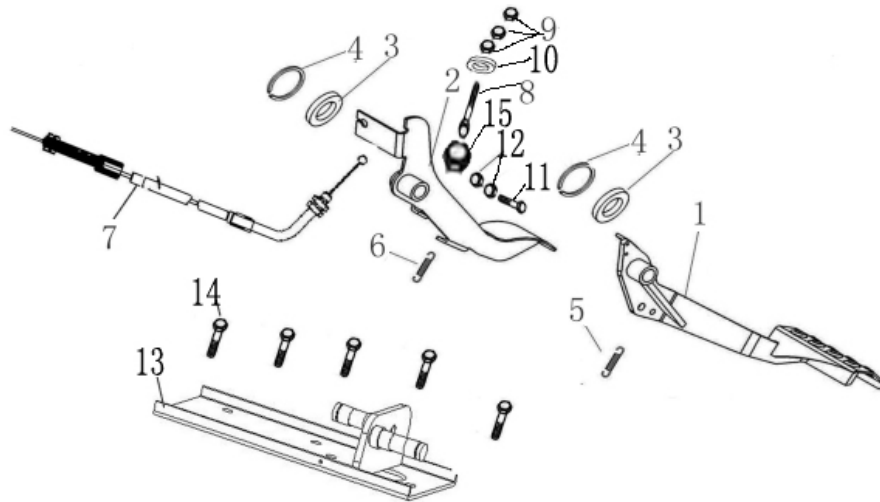
No	Code	Description	Qty
1	44210-150U-01	FIXER FR.LH.HUB(2019)	1
2	44220-150U-01	FIXER FR.RH.HUB(2019)	1
3	54300N	REAR SUSPENSION ARM DUST CAP	4
4	54004N	REAR SUSPENSION ARM BUSH	2
5	44001-150U	FRONT SUSPENSION ARM FIXER PLATE, LOWER	4
6	57891011512505	BOLT M10X1.25X115 ,GB5789	2
7	93001000000005	LOCK WASHER ϕ 10 ,GB93	2
8	61871000012505	LOCKING NUT M10X1.25,GB6187	2
9	GB912502500002	COTTER PIN ϕ 2.5 \times 25,GB91	2
10	96001000000005	WASHER ϕ 10 ,GB96	2

Front wheel and wheel hub



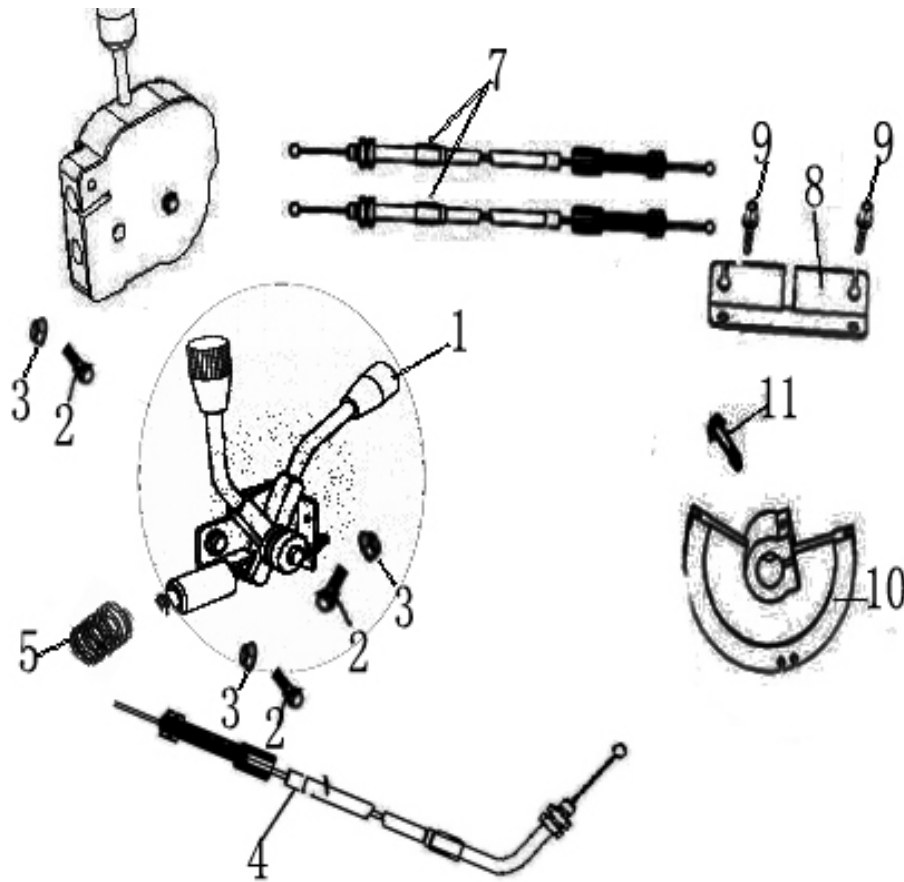
No	Code	Description	Qty
1	4410000150U001	FR.WHEEL ASSY.L. 22*7-10 (metal wheel)	1
2	4420000150U001	FR.WHEEL ASSY.R. 22*7-10 (metal wheel)	1
3	4403100150U002	TIRE RR.22X7-10	2
4	4411000150U001	RIM, FRONT WHEEL (metal)	2
5	7190018250G000	TIRE NIPPLE	2
6	57830601610005	BOLT M6X16 ,GB5783	12
7	8010054250G000	BRAKE DISC,RR	2
8	YF047002500700	DUST SEAL 42*25*7	2
9	62042RS0000000	BEARING 6204-2RS	2
10	62022RS0000000	BEARING 6202-2RS	2
11	9710031250G100	TIRE BOLT M10×1.25×31	8
12	8010085250GH00	FRONT WHEEL HUB	2
13	8010118250G500	TIRE NUT M10×1.25	8
14	97001400000005	WASHER φ10 ,GB97	2
15	94571400015005	CASTLE NUT M14X1.5, GB9457	2
16	GB913003000002	COTTER PIN φ3×30,GB91	2
17	7020039250G001	HUB COVER (metal wheel)	2

Throttle and Brake Pedals



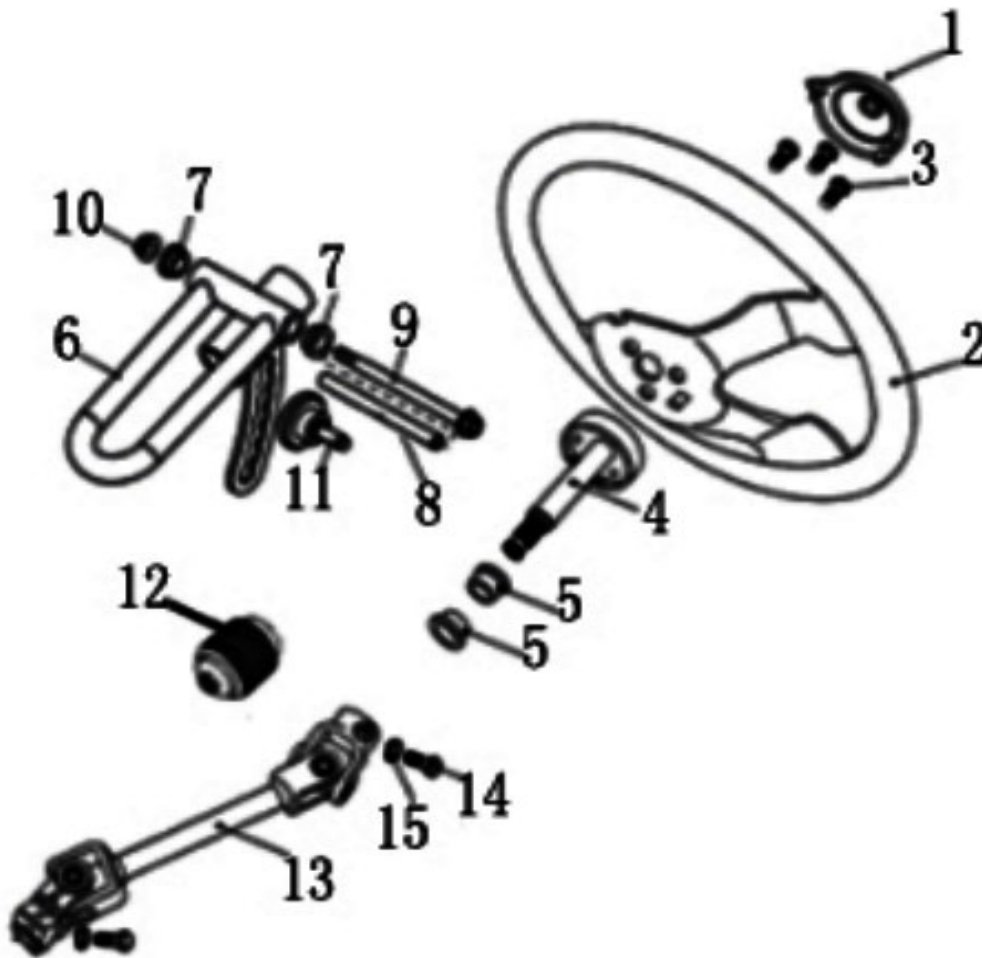
No	Code	Description	Qty
7-1	58270-150U	BRAKE PEDAL COMP	1
7-2	58230-150U	THROTTLE PEDAL COMP	1
7-3	95001400000005	WASHER φ15 ,GB95	2
7-4	9.700.015	CIRCLIP φ15	2
7-5	58276N	BRAKE PEDAL RETURN SPRING	1
7-6	58235-150U	THROTTLE PEDAL RETURN SPRING	1
7-7	60120-300U4	THROTTLE CABLE COMP	1
7-8	81800504010005	BOLT M5X40 ,GB818	1
	61700500010005	NUT M5 ,GB6170	3
	96000500000005	WASHER φ5 ,GB96	1
	57890602010005	BOLT M6X20 ,GB5789	1
7-9	61700600010005	NUT M6 ,GB6170	2
7-10	58210-150U	BRAKE PEDAL、 THROTTLE PEDAL MOUNTING PLATE	1
7-11	57870801612505	BOLT M8X16 ,GB5787	5
7-12	7010022080G000	RUBBER,THROTTLE PEDAL STOP	1

Gear Shifter



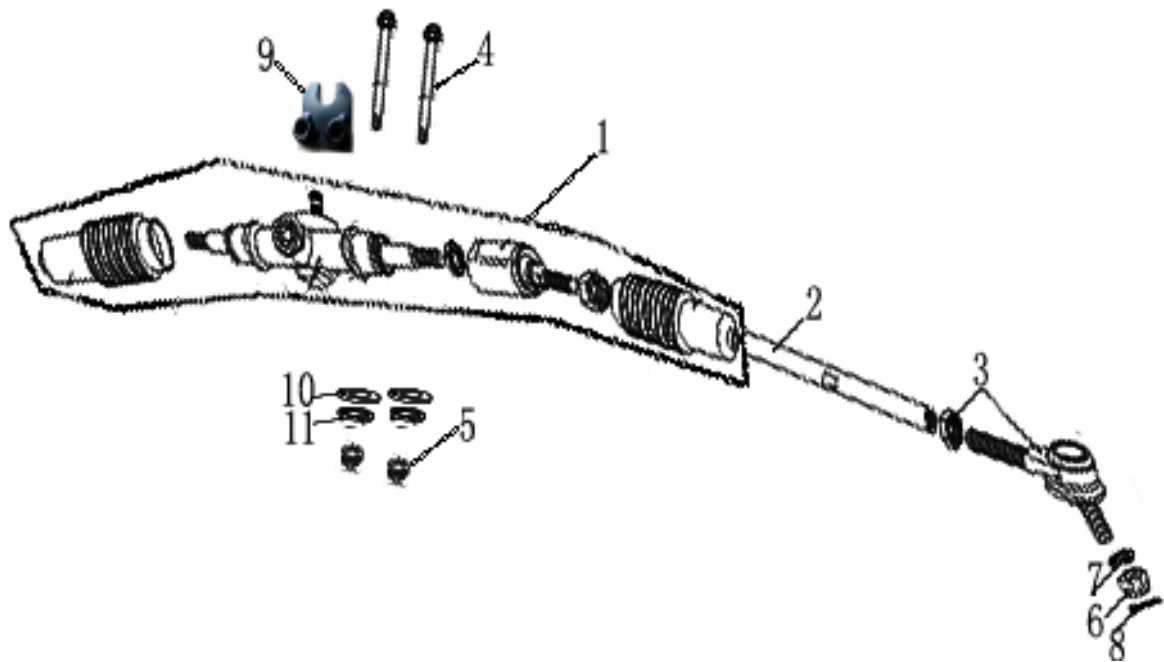
No	Code	Description	Qty
8-1	6000042150G000	PARKING BRAKE LEVER ASSY.	1
8-2	57870801612505	BOLT M8X16, GB5787	3
8-3	61870800012505	NUT M8, GB6187	3
8-4	60010-300U4	PARKING BRAKE CABLE COMP.	1
8-5	8040004150G000	PARKING BRAKE CABLE SPRING	1
8-6	40700-150U	SHIFTER HOISE ASSY.	1
8-7	60130-300U4	REVERSE CABLE COMP.	2
8-8	4000100300G000	REVERSE CABLE FIXED PLATE	1
8-9	57890601210005	BOLT M6X12 ,GB5789	2
8-10	4000200300G000	SHIFTER DISK	1
8-11	57830602510005	BOLT M6X25 ,GB5783	1

Steering wheel



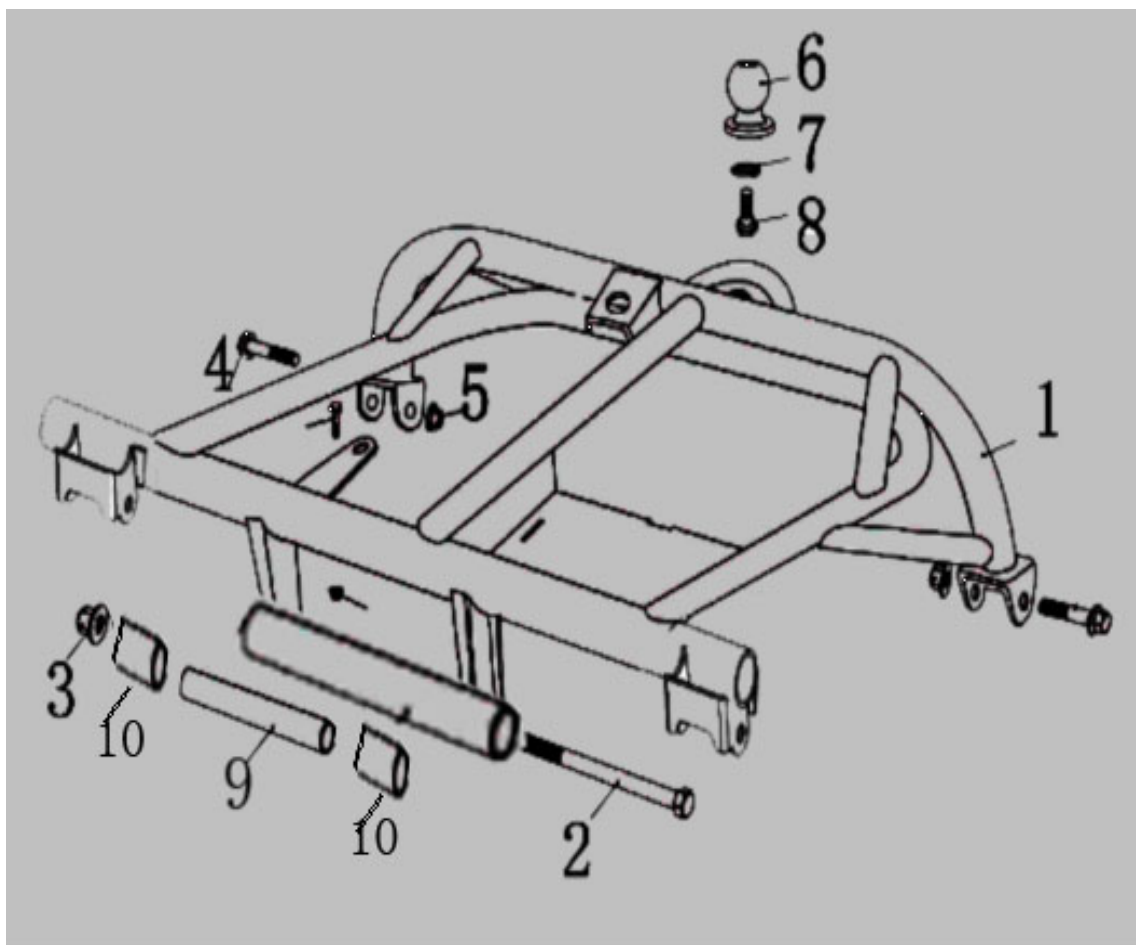
No	Code	Description	Qty
9-1	7010041250G000	STEERING BOLT COVER	1
9-2	7020038250G000	STEERING WHEEL	1
9-3	57830601210005	BOLT M6X12 ,GB5783	3
9-4	4011000150G000	STEERING SHAFT	1
9-5	7010026150G000	BUSH STEERING SHAFT	2
9-6	4000051150GH00	TILT STEERING HOUSING	1
9-7	7010003250G000	UPPER SUSPENSION ARM BUSH,80	2
9-8	8010015250G000	UPPER SUSPENSION ARM COLLAR,80	1
9-9	57890810512505	BOLT M8X105 ,GB5789	1
9-10	61870800012505	LOCKING NUT M8,GB6187	1
9-11	4000100150G000	STEERING GEAR ADJUSTING BOLT	1
9-12	7020066250G000	DUST COVER BALL JOINT	1
9-13	40200-150U-01	STEERING LINKAGE KNUCKLE	1
9-14	57820803012505	BOLT M8X30 ,GB5782	2
9-15	93000800000005	LOCK WASHER φ8 ,GB93	2

- 11 -
Steering Gear



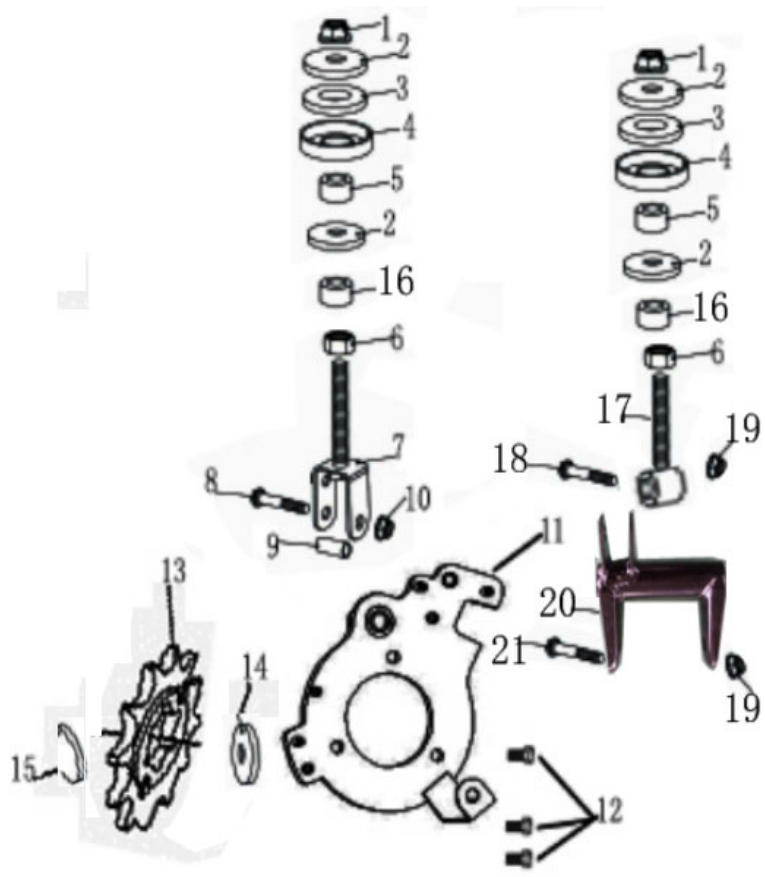
No	Code	Description	Qty
10-1	4031000150U002	STEERING GEAR ASSY	1
10-2	4030200150U000	TIE ROD (L=255MM)	2
10-3	4030300150U002	ROD END	2
10-4	57890808012505	BOLT M8X80 ,GB5789	2
10-5	61870800012505	LOCKING NUT M8,GB6187	4
10-6	94571000012505	CASTLE NUT M10X1.25, GB9457	2
10-7	93001000000005	LOCK WASHER φ10 ,GB93	2
10-8	GB912502500002	COTTER PIN φ2.5×25,GB91	2
10-9	58020-150U	STEERING GEAR MOUNTING PLATE	2
10-10	96000800000005	WASHER φ8,GB96	2
10-11	93000800000005	LOCK WASHER φ8 ,GB93	

Rear Swing Arm Upper



No	Code	Description	Qty
11-1	58310-300UE	REAR SWING ARM ASSY. UPPER(EFI)	1
11-2	57871022312505	BOLT M10X1.25X223 ,GB5787	1
11-3	61871000012505	LOCKING NUT M10*1.25,GB6187	1
11-4	57871206012505	BOLT M12X1.25X60 ,GB5787	2
11-5	61871200012505	LOCKING NUT M12X1.25,GB6187	2
11-6	8010084250G000	TOW BALL	1
11-7	93001600000005	LOCK WASHER φ16 ,GB93	1
11-8	57831602520005	BOLT M16X2.0X25 ,GB5783	1
11-9	58011-LA	SPACER, ENGINE BRACKET	1
11-10	7020077080G000	CUSHION BUSHINGΦ10*Φ30*30/35	2

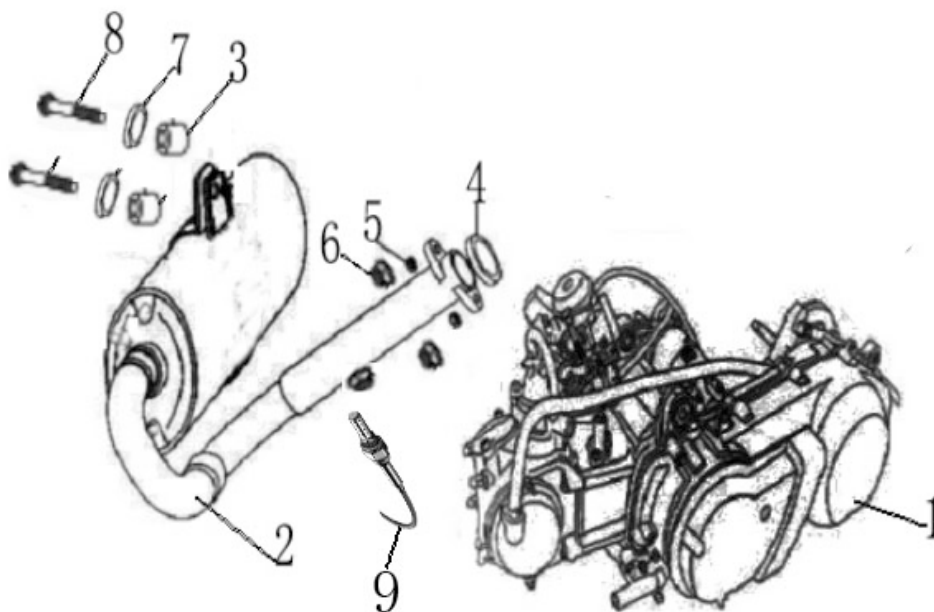
Engine Mount



NO.	CODE	DESCRIPTION	QTY.
12-1	61871400015005	LOCKING NUT M14X1.5,GB6187	2
12-2	8010042250G100	ENGINE MOUNT LINK WASHER	4
12-3	7020001080G000	ENGINE MOUNT LINK CUSHION	2
12-4	8020045080G100	ENGINE MOUNT LINK SPACER	2
12-5	8010041300G000	ENGINE MOUNT LINK COLLAR	2
12-6	61701400015005	NUT M14X1.5 ,GB6170	2
12-7	10200-300U	ENGINE MOUNT BOLT PLATE 1	1
12-8	57851004512505	BOLT M10X1.25X45 ,GB5785	1
12-9	8010076150G101	ENGINE MOUNT BOLT PLATE COLLAR	1
12-10	61871000012505	LOCKING NUT M10*1.25,GB6187	1
12-11	1010000300G000	ENGINE MOUNT PLATE	1
12-12	57830801612505	BOLT M8X16 ,GB5783	3

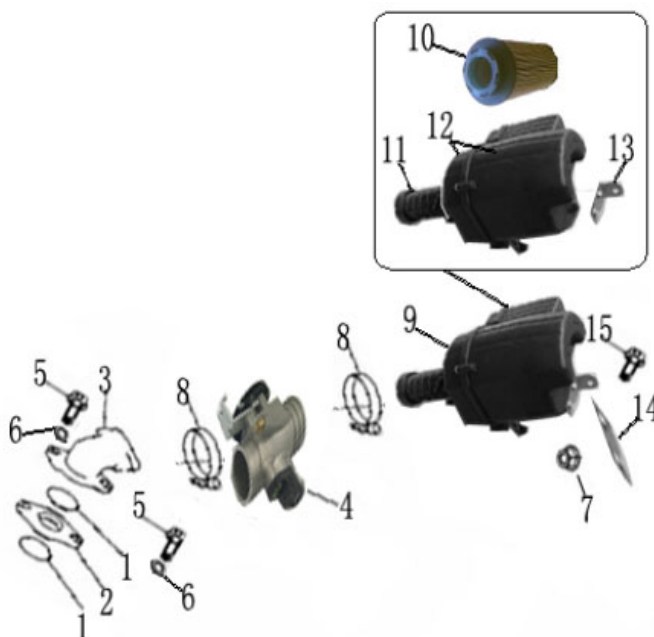
12-13	1010200150G00B	Output Sprocket	1
12-15	8942250120B002	CIRCLIP ϕ 15	1
12-16	58612-300U	ENGINE MOUNT LINK COLLAR2(19*2-25)	2
12-17	58610-300U	ENGINE MOUNT BOLT PLATE 2	1
12-18	57891004012505	BOLT M10X1.25X40 ,GB5789	1
12-19	61871000012505	LOCKING NUT M10*1.25,GB6187	2
12-20	58620-300U	ENGINE MOUNTING BRACKET .RR	1
12-21	57891010512505	BOLT M10X1.25X105 ,GB5789	1

Engine, Muffler



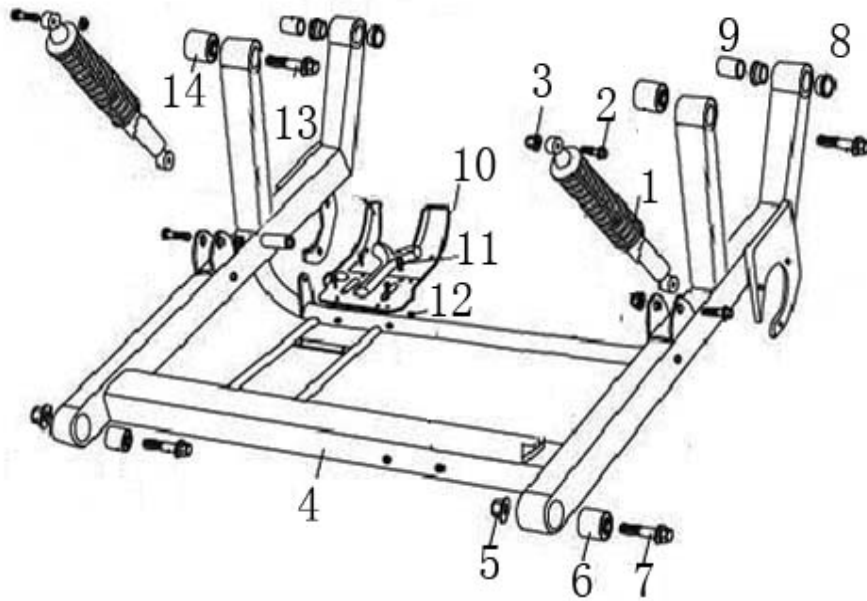
NO.	CODE	DESCRIPTION	QTY.
13-1	10000-300EFI	ENGINE ASSY	1
13-2	47100-300UX-E	MUFFLER COMP.EX.STAINLESS STEEL	1
13-3	47209-300U	MUFFLER RUBBER	2
13-4	70900500025000	EX.PIPE GASKET	1
13-5	93000800000005	LOCK WASHER φ8 ,GB93	2
13-6	61870800012505	LOCKING NUT M8,GB6187	2
13-7	96000800000005	WASHER φ8,GB96	2
13-8	57870803012505	BOLT M8X30 ,GB5787	2
13-9	RY12H	Oxygen sensor	1

Air Filter, Intake, throttle position sensor



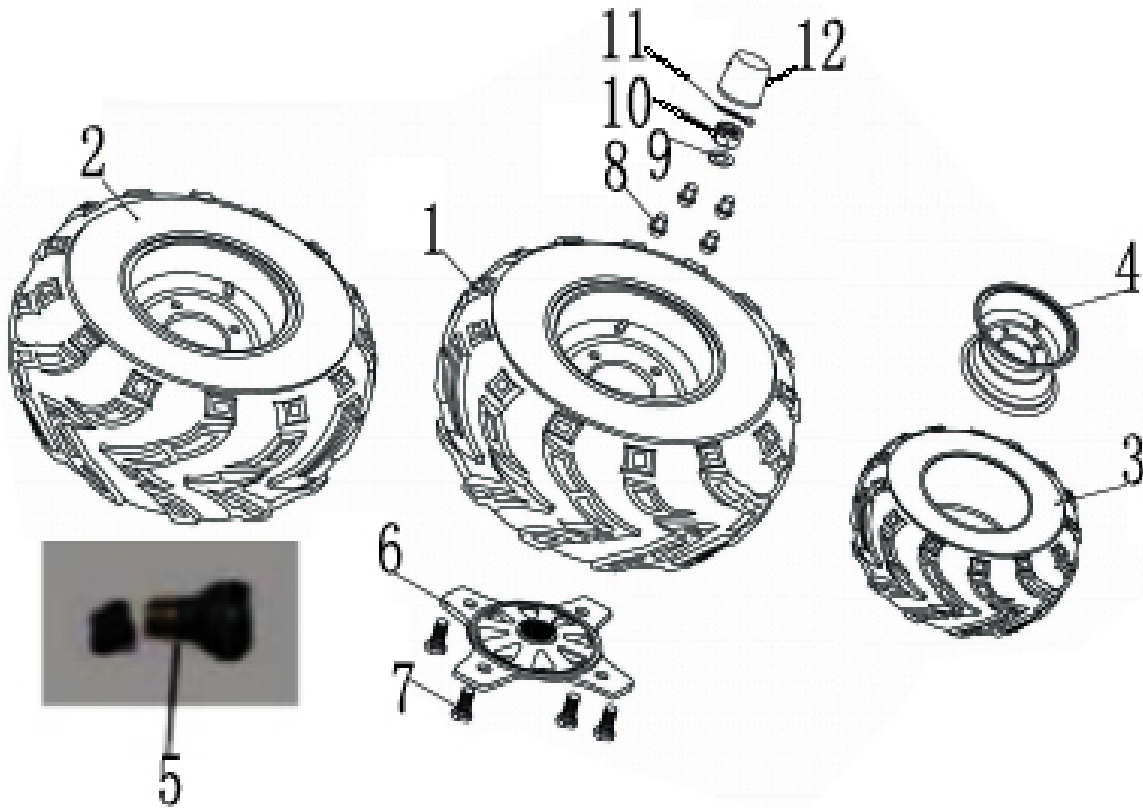
NO.	CODE	DESCRIPTION	QTY.
14-1	169.12.212	O-Ring 35×2	2
14-2	169.08.301	Insulating Mat	1
14-3	13110-UTV300	JOINT CARBURETOR 1	1
14-4	RJ34B2	Throttle position sensor	1
14-5	57890602510005	BOLT M6X25 ,GB5789	2
14-6	93000600000005	LOCK WASHER φ6 ,GB93	2
14-7	61870600010005	LOCKING NUT M6,GB6187	1
14-8	4900500300k000	HOSE CLAMP, 38-51	2
14-9	49000-300UE	AIR CLEANER ASSY(300EFI)	1
14-10	6000151150G000	FILTER ELEMENT	1
14-11	4910100300G000	AIR CLEANER JOINT	1
14-12	7010048150G000	AIR CLEANER CASE	1
14-13	4900400150G000	AIR CLEANER MOUNT PLATE,	1
14-15	57890601610005	BOLT M6X16 ,GB5789	1

Rear Swing Arm Lower



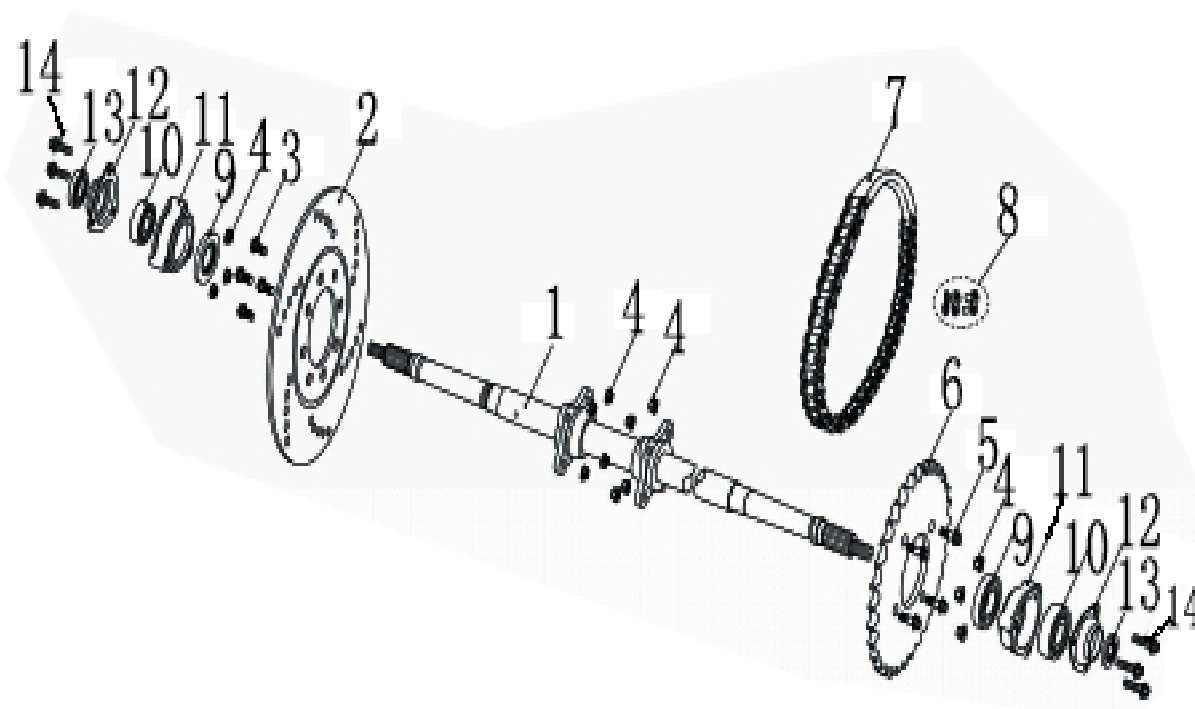
NO.	CODE	DESCRIPTION	QTY.
15-1	63100-300U	CUSHION ASSY. RR	2
15-2	57891004012505	BOLT M10X1.25X40 ,GB5789	4
15-3	61871000012505	LOCKING NUT M10*1.25,GB6187	6
15-4	54400-150B	RR, LOWER SWING ARM COMP.	1
15-5	61871200012505	LOCKING NUT M12X1.25,GB6187	2
15-6	7020008250G000	CUSHION BUSHINGΦ12*Φ30*30/35	2
15-7	57871206012505	BOLT M12X1.25X60 ,GB5787	2
15-8	7010006150G000	SWING ARM BUSH.	4
15-9	8010028150G100	SWING ARM COLLAR.Φ12*Φ18*36	2
15-10	7010032150G001	CHAIN DISC GUARD	1
15-11	57890601210005	BOLT M6X12 ,GB5789	4
15-12	61700600010005	NUT M6,GB6170	4
15-13	57891007012505	FLANGE BOLT M10×1.25×70	2
15-14	58720N	CUSHION BUSH	2

Rear Wheel



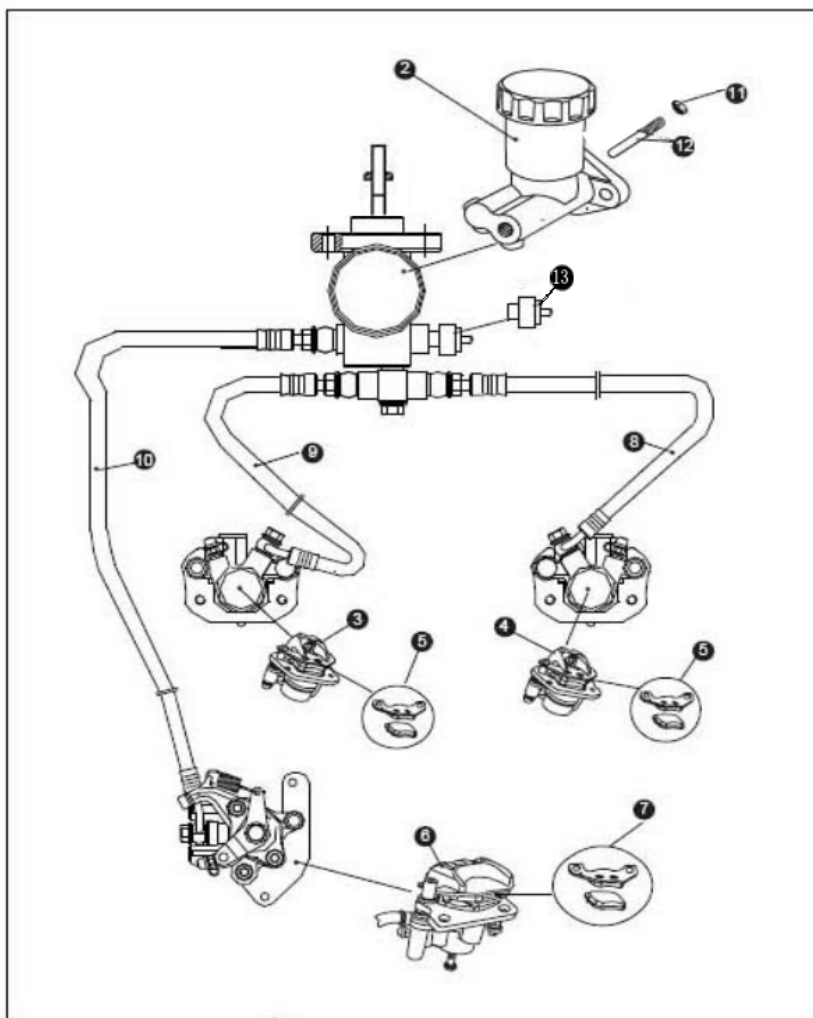
NO.	CODE	DESCRIPTION	QTY.
16-1	5410000150U001	REAR WHEEL ASSY.L.(metal wheel	1
16-2	5420000150U001	REAR WHEEL ASSY.R.(metal wheel	1
16-3	7020052250G000	TIRE RR.22*10-10	2
16-4	5411000150U001	RIM, REAR WHEEL (metal)	2
16-5	7190018250G000	TIRE NIPPLE	2
16-6	8010089150G700	REAR WHEEL HUB(metal wheel	2
16-7	9710031250G100	TIRE BOLT M10×1.25×31	8
16-8	8010118250G500	TIRE NUT M10×1.25	8
16-9	97001600000005	WASHER φ16,GB97	2
16-10	94571600015005	CASTLE NUT M16X1.5, GB9457	2
16-11	GB914004000002	COTTER PIN φ4×40,GB91	2
16-12	7020039250G001	HUB COVER (metal wheel	2

Rear Axle



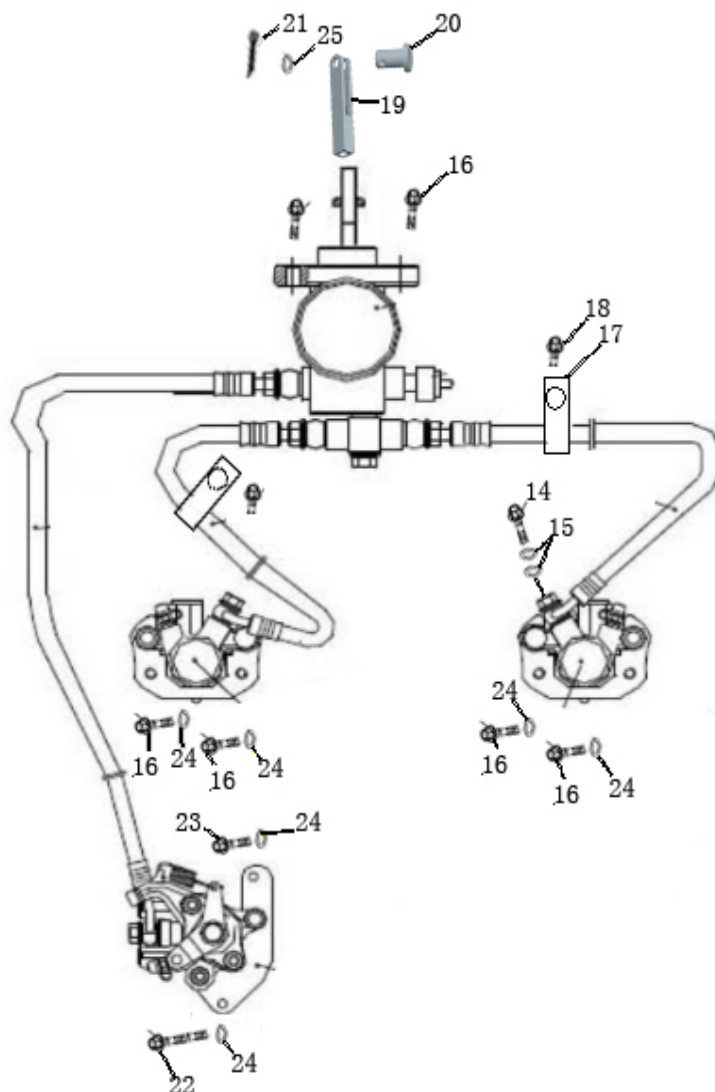
NO.	CODE	DESCRIPTION	QTY.
17-1	8010057150G0A0	REAR AXLE	1
17-2	8010053250G000	RR. BRAKE DISC	1
17-3	57870802512505	BOLT M8X25 ,GB5787	4
17-4	61870800012505	LOCKING NUT M8,GB6187	14
17-5	70000804512505	BOLT M8X45 ,GB70	4
17-6	8010077250G000	REAR SPROCKET (39T-530)	1
17-7	9170002300U001	DRIVE CHAIN (52-530H)	1
17-8	6000149150G000	CHAIN MASTER LINK (530H)	1
17-9	YF050003400700	DUST SEAL 50X34-7	2
17-10	62062RS0000000	BEARING 6206-2RS	2
17-11	8030008150G100	RR. AXLE BEARING HOUSING COMP	2
17-12	8020028150G100	BEARING BASE	2
17-13	YF042003000700	DUST SEAL 42X30-7	2
17-14	57870804012505	BOLT M8X40 ,GB5787	6
17-15	93000800000005	LOCK WASHER φ8 ,GB93	8

Brake System 1



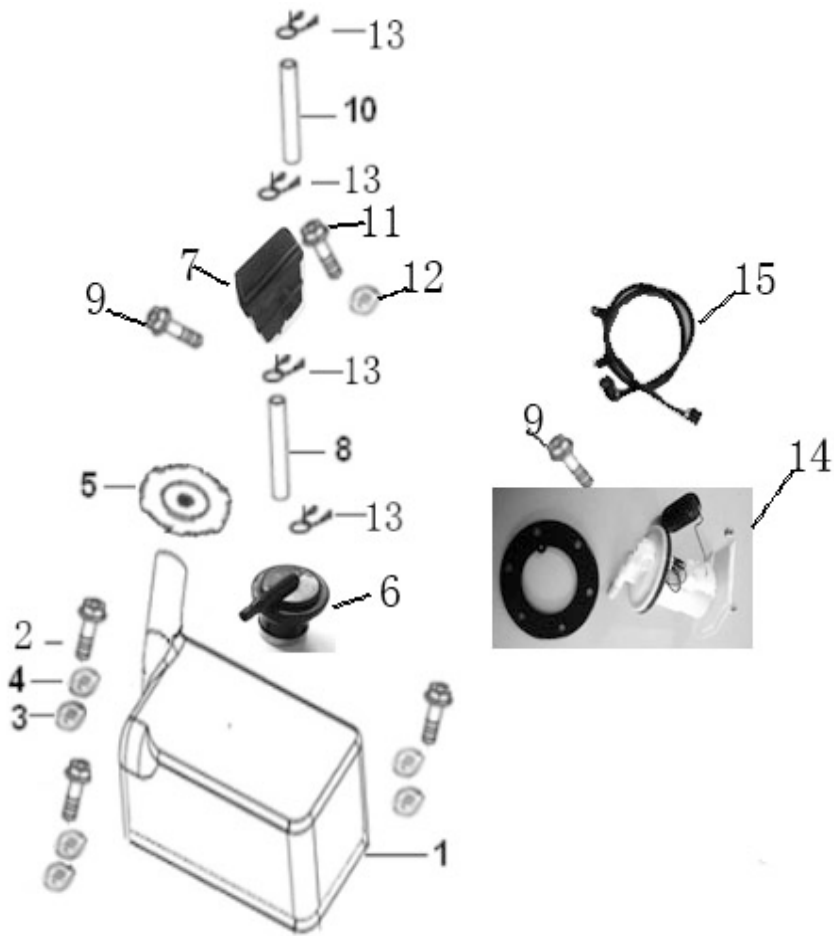
NO.	CODE	DESCRIPTION	QTY.
18-1	45000-150U	BRAKE ASSY.	1
18-2	45110N	BRAKE MASTER CYLINDER	1
18-3	6000095250G000	FRONT BRAKE CALIPER R.	1
18-4	6000028250G000	FRONT BRAKE CALIPER L.	1
18-5	7020016250G000	FRONT BRAKE CALIPER PAD SET	2
18-6	6000229150G000	BRAKE CALIPER ASSY.RR	1
18-7	7020022150G000	REAR BRAKE CALIPER PAD SET	1
18-8	6.000.089-150U	HOSE ASSY.L.BRAKE	1
18-9	6.000.090-150U	HOSE ASSY.R.BRAKE	1
18-10	6.000.090-300U4	HOSE ASSY.RR.BRAKE	1
18-11	8.010.081-150U	BRAKE SPINDLE PIN	1
18-12	61700800012505	NUT M8 ,GB6170	1
18-13	6.000.063-150U	BRAKE LAMP SWITCH	1

Brake System 2



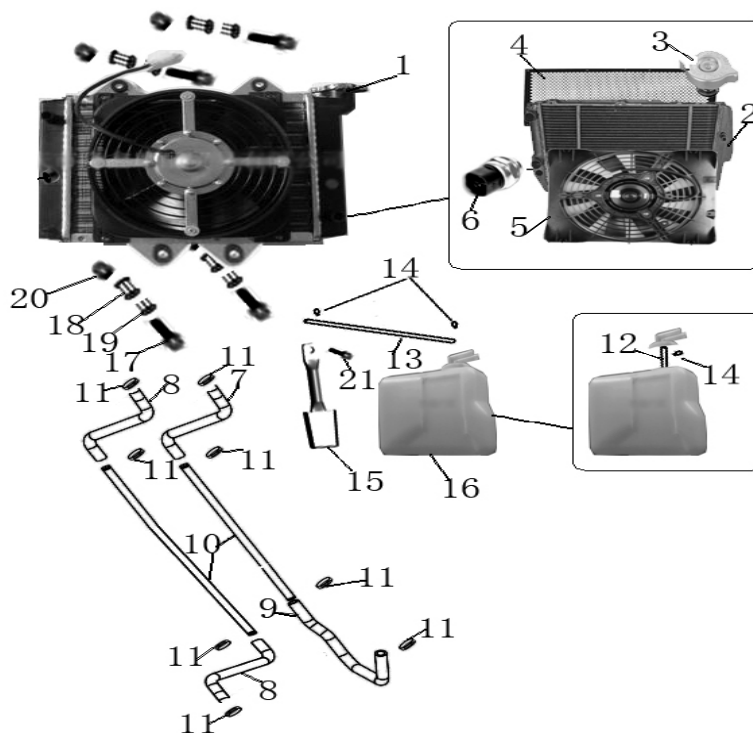
NO.	CODE	DESCRIPTION	QTY.
18-14	F020206-10024	BANJO BOLT M10×24	5
18-15	9.300.010	HOSE WASHER φ10,BRAKE	12
18-16	57870802512505	BOLT M8X25 ,GB5787	6
18-17	4517100300K000	HOSE CLIP	2
18-18	57890601610005	BOLT M6X16 ,GB5789	2
18-19	4402100400N000	SPINDLE BRACKET	1
18-20	9.700.720	PIN φ7×20	1
18-21	GB912502500002	COTTER PIN φ2.5×25,GB91	1
18-22	57890810012505	BOLT M8X100 ,GB5789	1
18-23	57870801612505	BOLT M8X16 ,GB5787	1
18-24	93000800000005	LOCK WASHER φ8 ,GB93	6
18-25	97000800000005	WASHER φ8,GB97	1

Fuel supply



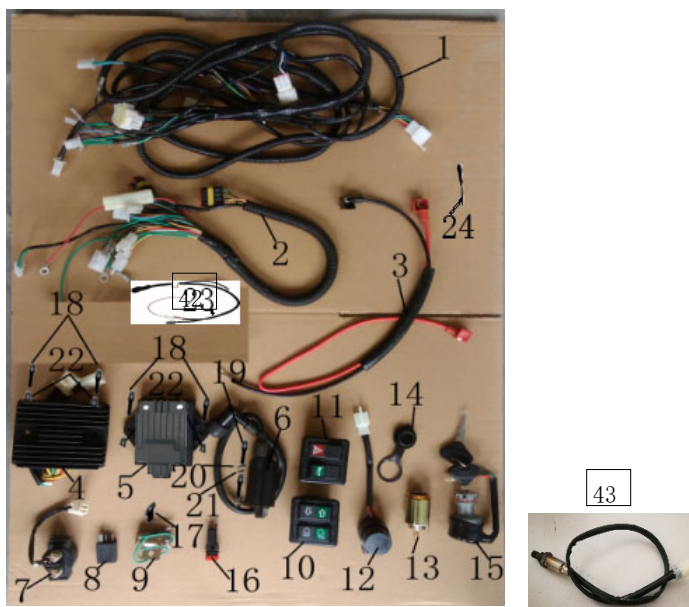
NO.	CODE	DESCRIPTION	QTY.
19-1	50010-300UE	fuel tank	1
19-2	57870801612505	BOLT M8X16 ,GB5787	3
19-3	50001-150U	Fuel tank rubber	3
19-4	96000800000005	WASHER φ8,GB96	3
19-5	6000145080G001	fuel tank cap(EFI)	1
19-6	50012-300UB	One-way valve	1
19-7	DPT45CC	Canister (DPT45CC)	1
19-8	80301-300UE	oil pipe 1Φ4.5*Φ8.5*450	1
19-9	57890601210005	BOLT M6X12 ,GB5789	7
19-10	80302-300UE	oil pipe2Φ3.5*Φ6.5*900	1
19-11	57890601610005	BOLT M6X16 ,GB5789	1
19-12	61770600010005	NUT M6,GB6177	1
19-13	621A0700000000	TUBE CIRCLIP φ7	4
19-14	50300-300UE	OIL PUMP	1
19-15	80303-300UE	oil pipe 3	1

Cooling system



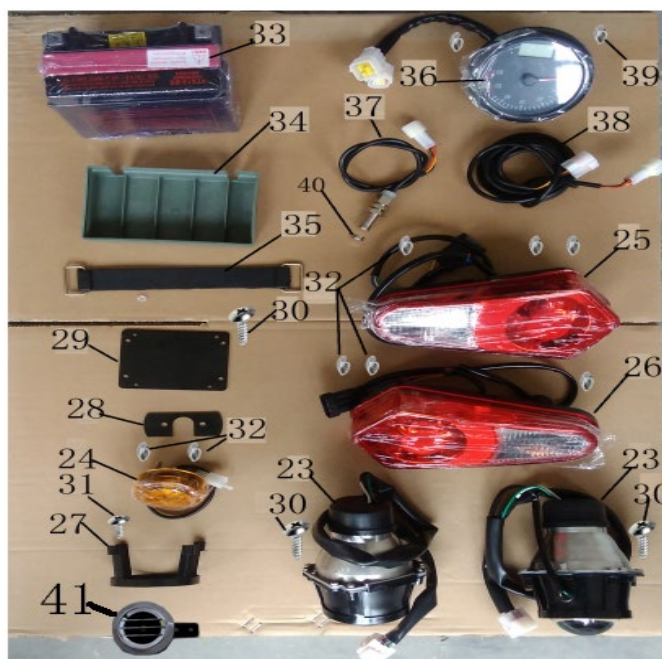
NO.	CODE	DESCRIPTION	QTY.
20-1	14210-300U	RADIATOR ASSY.	1
20-2	14211-300U	RADIATOR	1
20-3	14212-300U	WATER FILLER	1
20-4	14213-300U	RADIATOR COVER	1
20-5	14214-300U	FAN ASSY	1
20-6	14215-300U	HEAT SENSITIVE SWICH(75°C)	1
20-7	14002-300U	Radiator inlet Hose	1
20-8	14001-300U	Radiator outlet Hose	2
20-9	14003-300U	Engine inlet Hose	1
20-10	14004-300U4	water pipe (Iron)	2
20-11	7.090.044	TUBE CLAMP φ16-25	8
20-12	14221-300U	water hose Φ6*Φ10*320	1
20-13	14222-300U	water hose Φ6*Φ10*160	1
20-14	621A0900000000	TUBE CIRCLIP φ9	3
20-15	14220-300U	Cooling pot	1
20-16	FR-S059-01-00	Cooling pot holder	1
20-17	57890603010005	BOLT M6X30 ,GB5789	4
20-18	7020005250G000	250 Fuel tank rubber mount	4
20-19	5800400300K000	Fuel tank collar	4
20-20	61870800012505	NUT M8 ,GB6187	4
20-21	57890601610005	BOLT M6X16 ,GB5789	1

Electrical Parts 1



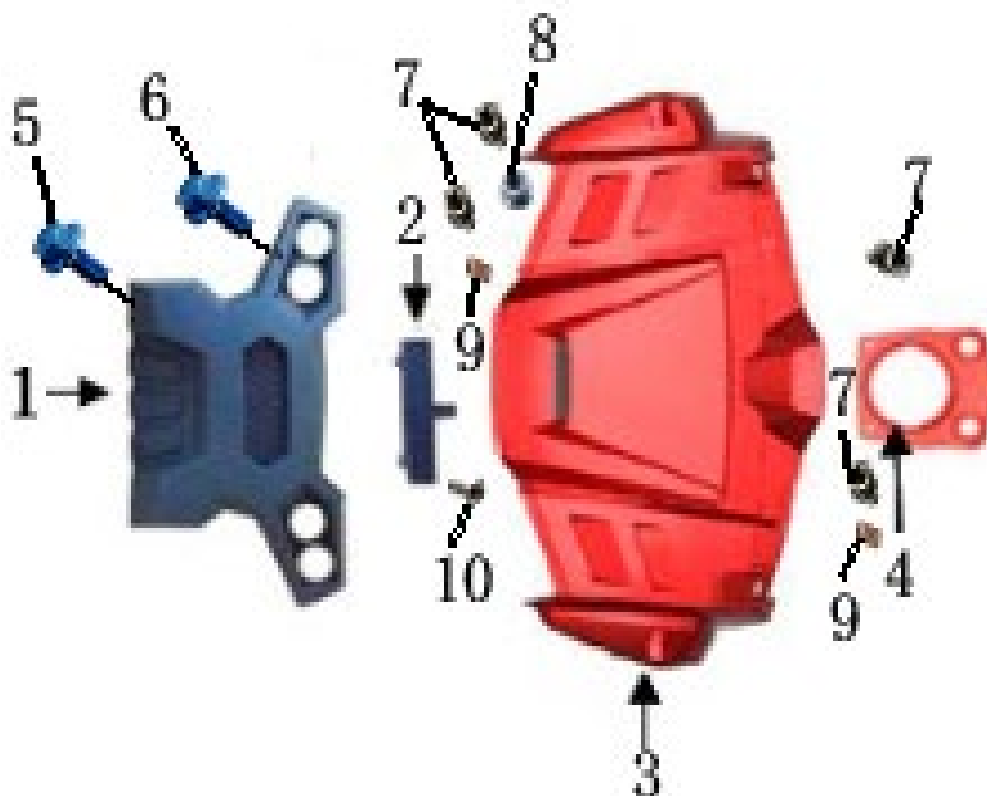
NO.	CODE	DESCRIPTION	QTY.
21-1	8002501-300UE	main electrical wiring	1
21-2	8002502-300UE	Vice electrical wiring	1
21-3	8002501-300U	BATTERY CABLE	1
21-4	6000250250G000	voltage regulator	1
21-5	HZE-C-15/CY300	ECU	1
21-6	RM1A1	ICM	1
21-7	6000035250G000	STARTING RELAY	1
21-8	80028N	supplementary relay	1
21-9	6000038250G000	resistance	1
21-10	19-0900307	combination switch 1	1
21-11	19-0900308	combination switch 2	1
21-12	6000153250G000	Flasher	1
21-13	6000087250G000	Cigar light	1
21-14	7020051250G000	Cigar light cover	1
21-15	6000158250G000	Ignition switch	1
21-16	6000159300U000	ENGINE STOP SWITCH	1
21-17	57890601210005	BOLT M6X12 ,GB5789	1
21-18	57890602510005	BOLT M6X25 ,GB5789	4
21-19	81800502010005	BOLT M5X20 ,GB818	2
21-20	93000500000005	LOCK WASHER φ5 ,GB93	2
21-21	97000500000005	WASHER φ5,GB97	2
21-22	61870600010005	NUT M6 ,GB6187	4
21-42	RX-YT-052	EFI electrical wiring	1
21-43	19-0900312	Fault light	1

Electrical Parts 2



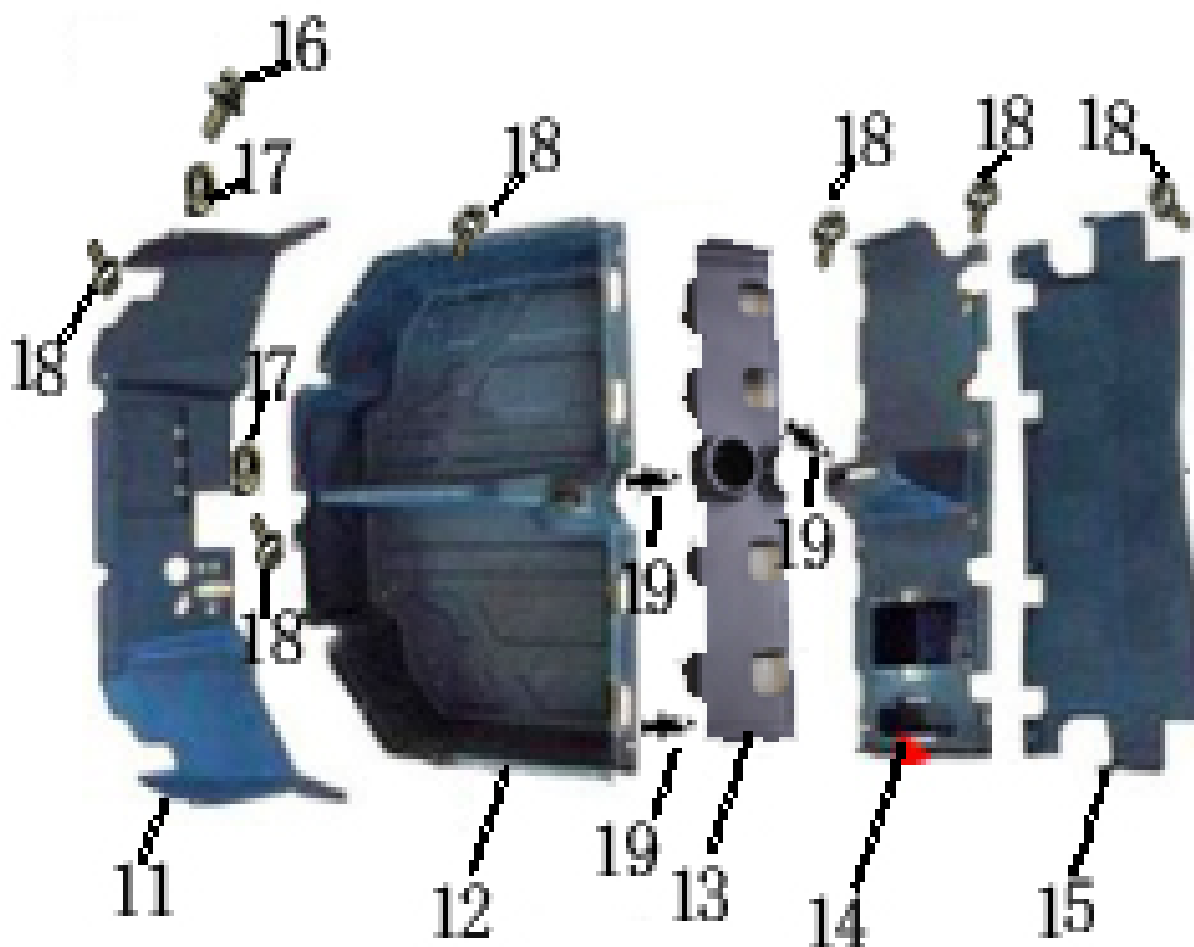
NO.	CODE	DESCRIPTION	QTY.
21-23	19-0900302	HEAD LIGHT	2
21-24	19-0900309	TURN LIGHT	2
21-25	19-0900305	TAIL LIGHT ,L	1
21-26	19-0900306	TAIL LIGHT ,R	1
21-27	19-0900310	TURN LIGHT BRACKET	2
21-28	58014-150U	TURN LIGHT Mounting plate 1	2
21-29	58013-150U	TURN LIGHT Mounting plate 2	2
21-30	28234201600005	BOLT ST4.2*16 ,GB2823	16
21-31	28234201300005	BOLT ST4.2*13 ,GB2823	8
21-32	61770600010005	NUT M6,GB6177	10
21-33	6000382250G000	BATTERY	1
21-34	7010028250G000	BATTERY COVER	1
21-35	7020023250G000	BATTERY BAND	1
21-36	8002200300U000	SPEEDOMETER ASSY	1
21-37	8002900150U000	SPEED TRANSDUCER	1
21-38	8003000150U000	SPEED TRANSDUCER CABLE	1
21-39	61700500010005	NUT M5 ,GB6170	2
21-40	8300200300K000	MAGNETIC CYLINDER	1
21-41	6000135250G000	HORN, H	1

Plastic Parts 1



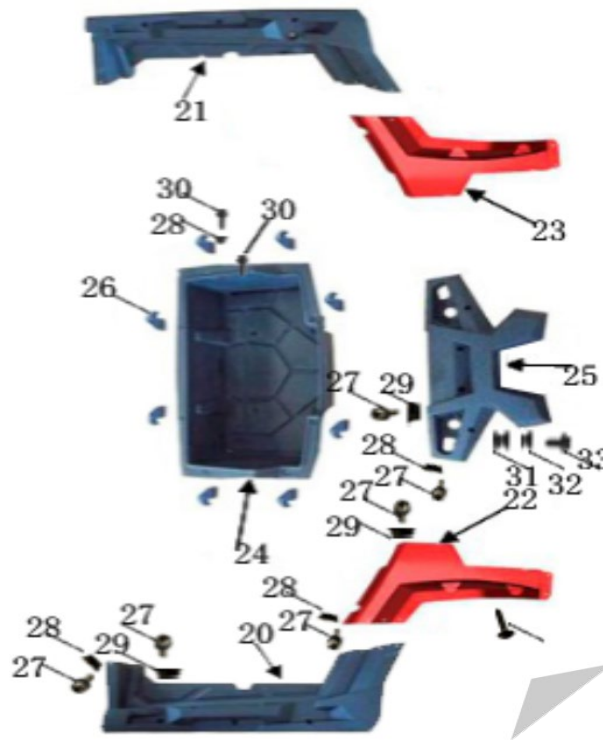
NO.	CODE	DESCRIPTION	QTY.
22-1	19-1000101	Headlamps cover	1
22-2	19-1000104	Air window	1
22-3	19-1000105	front panel	1
22-4	19-1000103	Instrument cover	1
22-5	57890601210005	BOLT M6X12 ,GB5789	2
22-6	57890601610005	BOLT M6X16 ,GB5789	2
22-7	90746601610005	BOLT M6X16 ,GB9074.6	10
22-8	61770600010005	NUT M6,GB6177	6
22-9	Q3120600010000	NUT M6,Q312	4
22-10	28234201300005	BOLT ST4.2*13 ,GB2823	3

Plastic Parts 2



NO.	CODE	DESCRIPTION	QTY.
22-11	19-1000106	front fender (FOOTREST)	1
22-12	19-1000109	FOOTREST	1
22-13	19-1000151	Extended Connection plate	1
22-14	19-1000110	Rear fender (FOOTREST)	1
22-15	19-1000113	Rear fender (Seat)	1
22-16	90746601610005	BOLT M6X16 ,GB9074.6	4
22-17	61770600010005	NUT M6,GB6177	10
22-18	57890601610005	BOLT M6X16 ,GB5789	35
22-19	19-1000121	Snap	6

Plastic Parts 3



NO.	CODE	DESCRIPTION	QTY.
22-20	19-1000107	left side plate	1
22-21	19-1000108	right-side plate	1
22-22	19-1000111	left side plate (car hopper)	1
22-23	19-1000112	right-side plate (car hopper)	1
22-24	19-1000116	car hopper	1
22-25	19-1000117	rear fender (car hopper)	1
22-26	19-1000115	hook (car hopper)	8
22-27	90746601610005	BOLT M6X16 ,GB9074.6	30
22-28	61770600010005	NUT M6,GB6177	24
22-29	Q3120600010000	NUT M6,Q312	10
22-30	57890601610005	BOLT M6X16 ,GB5789	14
22-31	7020005250G000	250 Fuel tank rubber mount	4
22-32	5800400300K000	Fuel tank collar	4
22-33	57890603510005	BOLT M6X35 ,GB5789	4

Sticker and Label



NO.	CODE	DESCRIPTION	QTY.
23-1	90720-300U	Warning decals	1
23-2	907100-150U	decals	1
23-3	90730-300E4	Type of decal	4
23-4	90901-300	EPA Hang tag	1
23-5	90902-300U	EPA anti-counterfeiting labeling	1
23-6	90771-300U	Owner's Manual	1
23-7	7110003-300U	SPARK PLUG SOCKET	1