



TRAILMASTER UTV

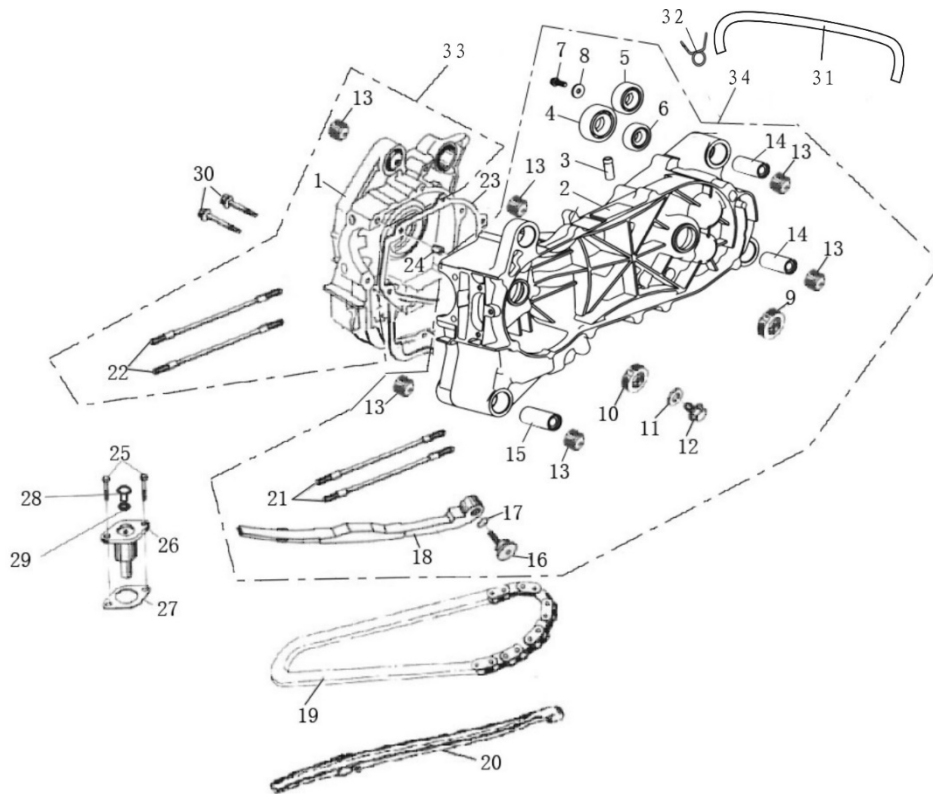


CHALLENGER 200(E), 200X(E) PARTS MANUAL

VERSION 1.0

2022-6-20

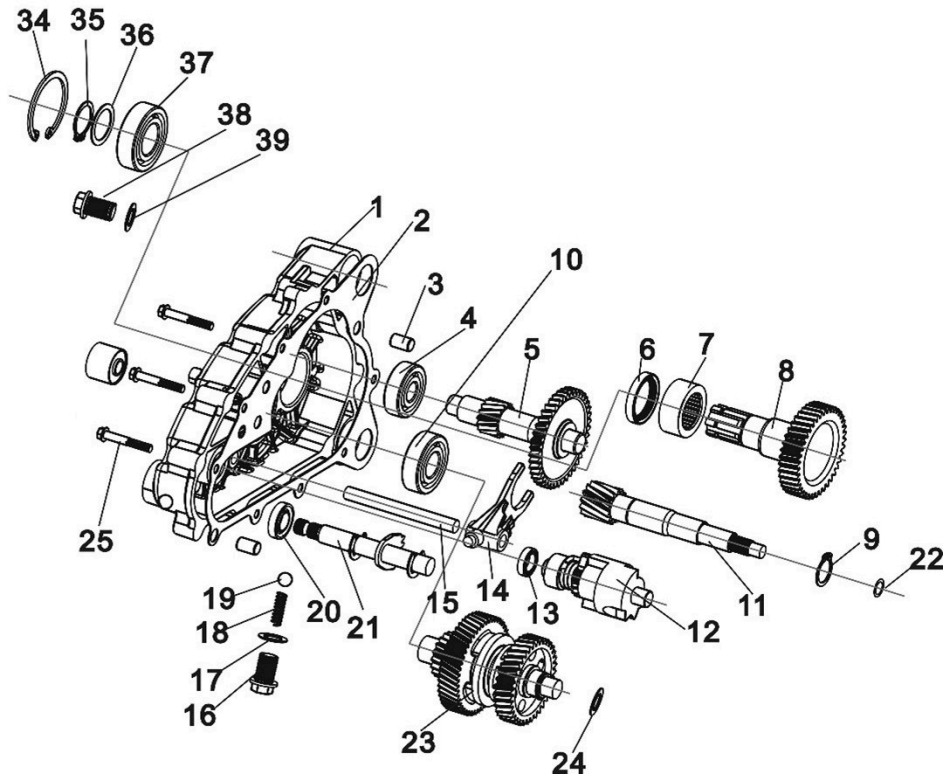
EN-FIG 1: ENGINE CASE COMP.



NO.	CODE	DESCRIPTION	QTY.	
1	161QMK-A-1-203	RIGHT CASE BODY	1	
2	157QMJ-B2-1-101	LEFT CRANKCASE BODY	1	
3	157QMJ-B2-1-102	AIR TUBE CONNECTOR	1	
4	GB/T 276 6204	BEARING 6204	1	
5	GB/T 276 6203	BEARING 6203	1	
6	GB/T 276 6202	BEARING 6202	1	
7	GB/T16674 M6×14	BOLT GB/T16674 M6×14	1	
8	1PE40QMB.14-03	WASHER 6	1	
9	52T-5-3012	OIL SEAL 20×32×6	1	
10	52T-1-111	OIL SEAL 19.8×30×5	1	
11	52T-1-107	WASHER 12×18×1	2	
12	52T-1-122	DRAIN PLUG	2	
13	52T-1-103	DAMPING BUSHING	5	

14	157QMJ-B2-1-123	COLLAR 42	2	
15	157QMJ-B2-1-124	COLLAR 50	1	
16	52T-1-116	SCREW	1	
17	52T-1-117	O-RING 16X1.5	1	
18	52T-1-115	CHAIN PULL ROD	1	
19	152MI-2.0.4	TIMING CHAIN	1	
20	52T-1-118	AIR DISTRIBUTION CHAIN GUIDE	1	
21	152QMI-A-1-108	DOUBLE-END BOLT M8×209	2	
22	152QMI-A-1-201	DOUBLE-END BOLT M8×201	2	
23	52T-1-113	RIGHT CASE GASKET	1	
24	52T-1-112	PIN 8X14	2	
25	GB/T 16674 M6×22	BOLT M6X22	2	
26	52T-1-119	CHAIN TENSIONING COMP.	1	
27	52T-1-120	SPACER	1	
28	52T-1-11911	SCREW	1	
29	52T-1-11912	O-RING 9.5X1.5	1	
30	GB/T 16674 M6×50	BOLT M6X50	2	
31	157QMJ-B2-1-110	TRANSMISSION AIR TUBE	1	
32	157QMJ-B2-1-109	CLAP 11.5	1	

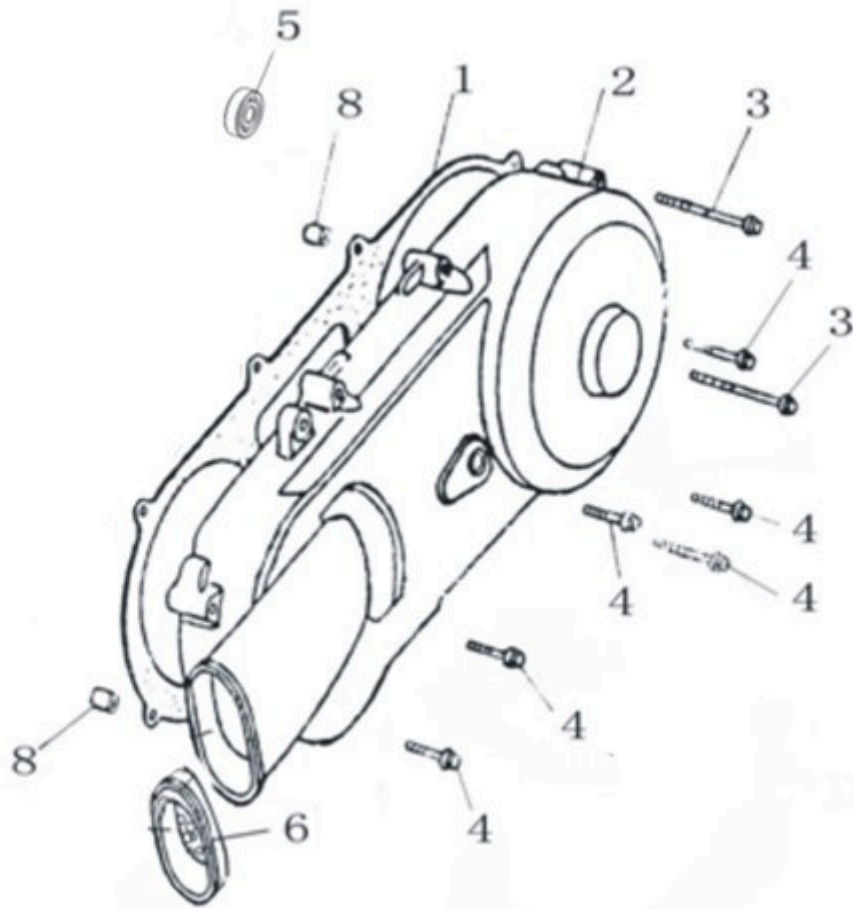
En-Fig 2: GEAR BOX ASSY.



NO.	CODE	DESCRIPTION	QTY.
1	157QMJ-B2-5-301	GEAR BOX COVER	1
2	157QMJ-B2-5-305	GEAR BOX COVER GASKET	1
3	52T-2-211	PIN	2
4	GB/T 276 6302	BEARING 6302	1
5	157QMJ-B2-5-303	REVERSE SHAFT	1
6	157QMJ-B2-5-308	OUTPUT SHAFT OIL SEAL	1
7	JB/T 3588 RNA4905	NEEDLE BEARING RNA4905	1
8	157QMJ-B2-5-304	OUTPUT SHAFT	1
9	GB/T 894.1	SNAP RING 20	1
10	GB/T 276 6204	BEARING 6204	2
11	157QMJ-B2-5-313	INPUT SHAFT	1

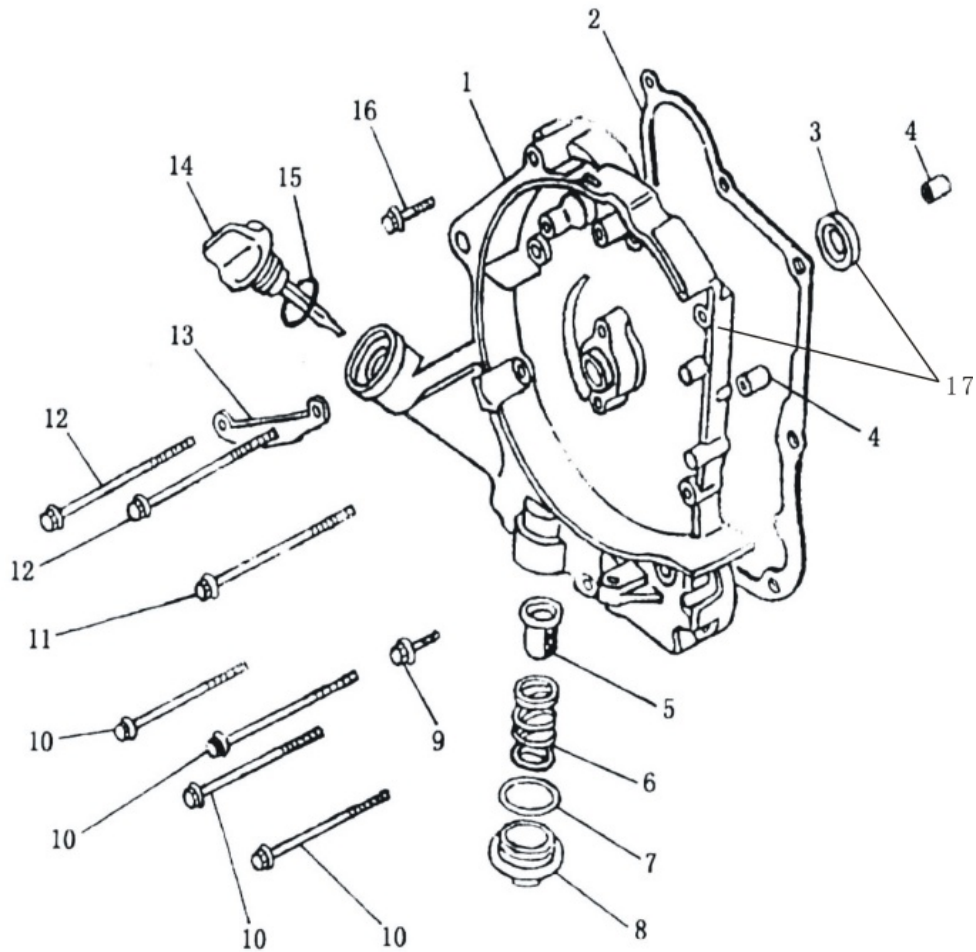
12	157QMJ-B2-5-311	SHIFTING DRUM	1	
13	157QMJ-B2-5-325	SHIFTING DRUM SEAL	1	
14	157QMJ-B2-5-309	FORK	1	
15	157QMJ-B2-5-310	FORK SHAFT	1	
16	157QMJ-B2-5-322	BOLT	1	
17	157QMJ-B2-5-323	WASHER 14X22X1	1	
18	157QMJ-B2-5-324	SPRING	1	
19	GB/T 308 13/32	BALL 13/32	1	
20	157QMJ-B2-5-317	SHIFTING SHAFT SEAL	1	
21	157QMJ-B2-5-312	SHIFTING SHAFT	1	
22	157QMJ-B2-5-318	O-RING 10X2.5	1	
23	157QMJ-B2-5-302	TRANSITION SHAFT	1	
24	157QMJ-B2-5-319	WASHER 15×19×1	1	
25	GB/T 16674 M6×40	BOLT M6×40	10	
34	GB/T 893.1 52	SNAP RING 52	1	
35	GB/T 894.1 25	SNAP RING 25	1	
36	157QMJ-B2-5-307	WASHER 25X33X1	1	
37	GB/T 276 6205	BEARING 6205	1	
38	152QMI-52T-1-122	DRAIN PLUG M12×1.5×14	1	
39	52T-1-107	WASHER 12X18X1	1	

En-Fig 3: SIDE COVER COMP.



NO.	CODE	DESCRIPTION	QTY.	
1	52T-1-506	LEFT CRANKCASE COVER GASKET	1	
2	157QMJ-B2 -1-501	LEFT CRANKCASE COVER	1	
3	GB/T 16674 M6×65	BOLT M6×65	2	
4	GB/T 16674 M6×40	BOLT M6×40	6	
5	GB/T 276 6200-2RS	BEARING 6200	1	
6	52T-1-508A	AIR INTAKE COVER	1	
8	52T-1-112 ø8×14	PIN ø8×14	2	

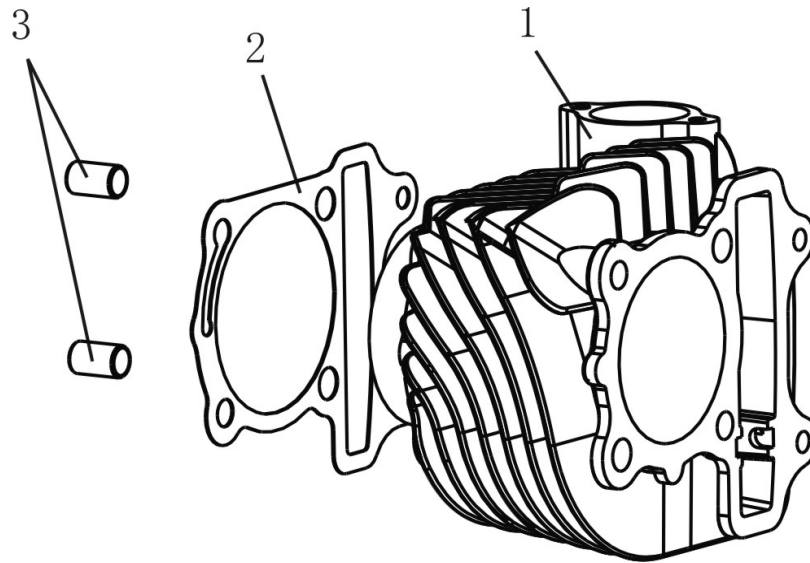
En-Fig 4: RIGHT COVER COMP.



NO.	CODE	DESCRIPTION	QTY.
1	52T-1-401	RIGHT CASE COVER	1
2	52T-1-407	RIGHT CASE COVER GASKET	1
3	52T-1-111	CRANKSHAFT OIL SEAL 19.8×30×5	1
4	52T-1-112 φ8×14	PIN φ8×14	2
5	52T-1-403	OIL SCREEN	1
6	52T-1-404	OIL SCREEN SPRING	1
7	52T-1-405	O-RING 30.5X3	1
8	52T-1-402	OIL SCREEN SCREW PLUG	1
9	GB/T 16674 M6×32	BOLT M6×32	1
10	GB/T 16674 M6×95	BOLT M6×95	4

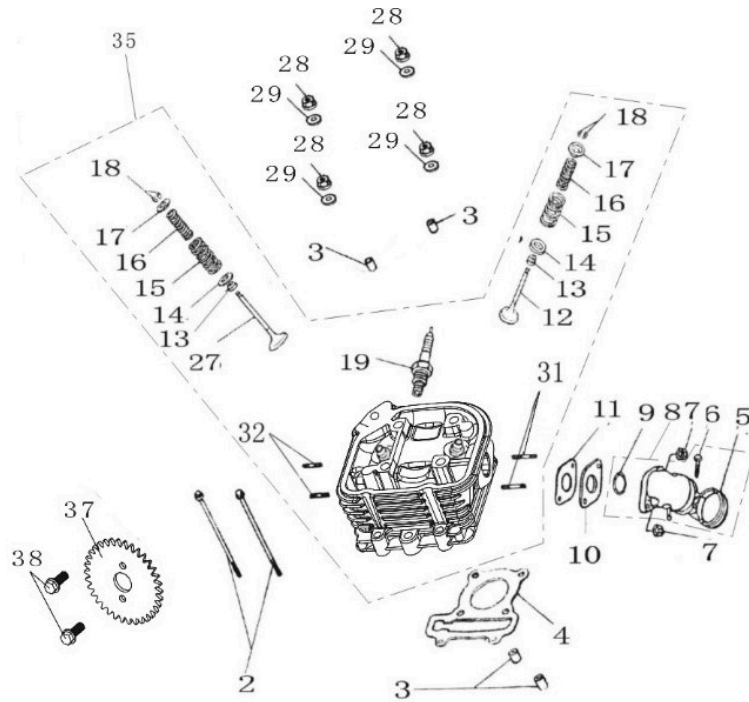
11	GB/T 16674 M6×100	BOLT M6×100	1	
12	GB/T 16674 M6×110	BOLT M6×110	2	
13	52T-1-409	MAGNETO WIRE CLIP	1	
14	52T-1-406	OIL GAUGE	1	
15	52T-1-408	O-RING 18X3	1	
16	GB/T 16674 M6×35	BOLT M6×35	1	

En-Fig 5: CYLINDER ASSY.



NO.	CODE	DESCRIPTION	QTY.	
1	161QMK-A-2-501	CYLINDER	1	
2	161QMK-A-2-504	CYLINDER GASKET	1	
3	52T-2-211	PIN 10X16	2	

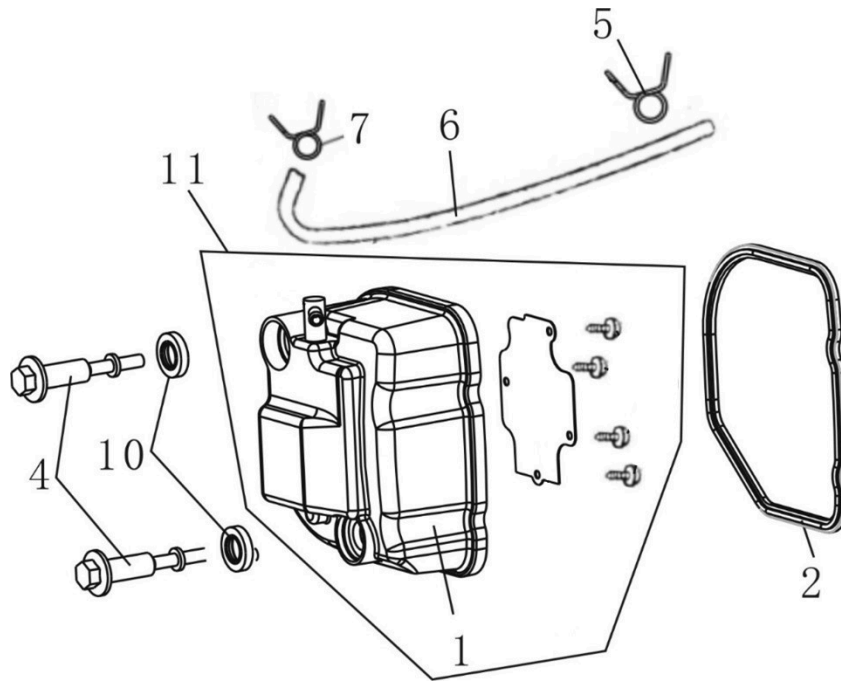
En-Fig 6: CYLINDER HEAD COMP.



NO.	CODE	DESCRIPTION	QTY.
2	GB/T 16674 M6×100	BOLT M6×100	2
3	52T-2-211	PIN φ10×16	4
4	161QMK-A-2-210	CYLINDER HEAD GASKET	1
5	52T-2-215	INTAKE TUBE CLAMP	1
6	GB/T 818 M4×25	SCREW M4×25	1
7	GB/T 6177.1 M6	BOLT M6	2
8	52T-2-214	INTAKE TUBE ASSY.	1
9	GB/T 3452.1	O-RING 26.5×1.8	1
10	52T-2-213	CYLINDER HEAD RUBBER GASKET	1
11	52T-2-212	INSULATOR SPACER	1
12	152QMI-A-2-205	INTAKE VALVE	1
13	52T-2-203	VALVE OIL SEAL	2

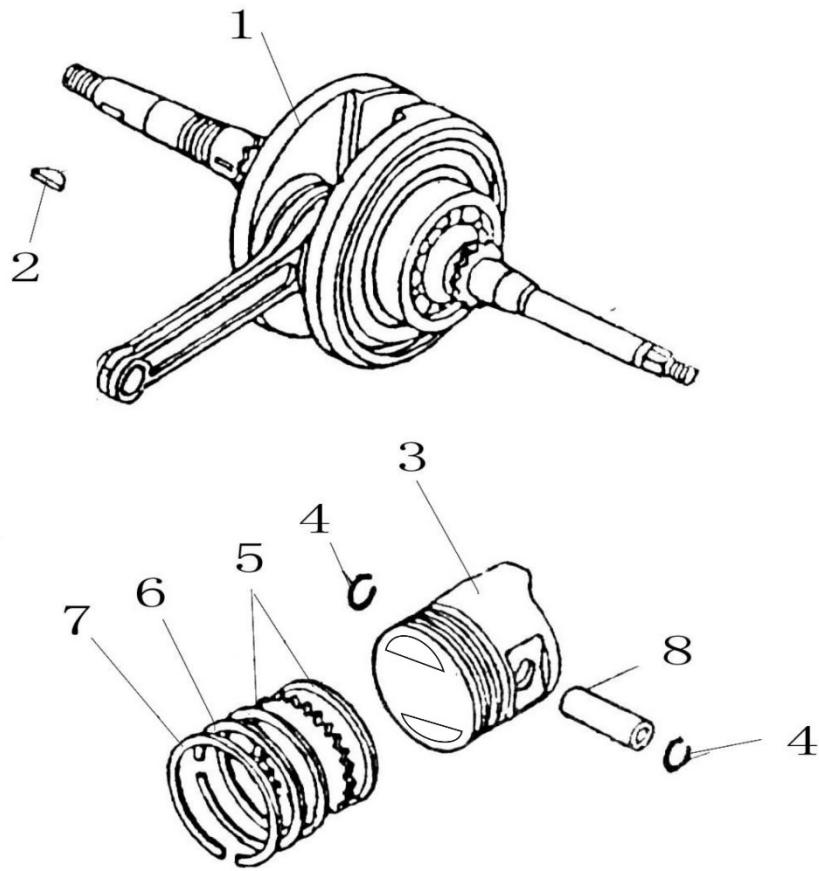
14	52T-2-209	WASHER	2	
15	152QMI-A-2-208	VALVE SPRING -INSIDE	2	
16	152QMI-A-2-207	VALVE SPRING -OUTSIDE	2	
17	52T-2-204	VALVE SPRING SEAT	2	
18	52T-2-206	VALVE LOCKING CLAMP	4	
19	52T-2-217	SPARK PLUG	1	
20	52T-2-305	STOPPING PLATE	1	
21	52T-2-3042	VALVE ADJUSTING NUT	2	
22	52T-2-3043	VALVE ADJUSTING SCREW	2	
23	152QMI-A-2-3041	VALVE ROCKET	2	
24	152QMI-A2-303	INTAKE VALVE ROCKET SHAFT	1	
25	152QMI-A-2-40	CAMSHAFT COMP.	1	
26	152QMI-A-2-302	EXHAUST VALVE ROCKET SHAFT	1	
27	152QMI-A-2-202	EXHAUST VALVE	1	
28	GB/T 6177.1 M8	BUT M8	4	
29	52T-1-121	WASHER 8	4	
30	152QMI-A-2-301	CAMSHAFT FIXING BRACKET	1	
31	52T-2-2017	DOUBLE-END BOLT M6X63	2	
32	161QMK-2-2013	DOUBLE-END BOLT M8X32	2	
33	152QMI-A-2-304	VALVE ROCKET COMP.	2	
35		CYLINDER HEAD ASSY.		
36	GB/T 893.1 35	SNAP RING 35	1	
37	152MI-A.02-17	TIMING SPROCKET	1	
38	GB/T 5783 M5×12	BOLT M5X12	2	

En-Fig 7: CYLINDER HEAD COMP.



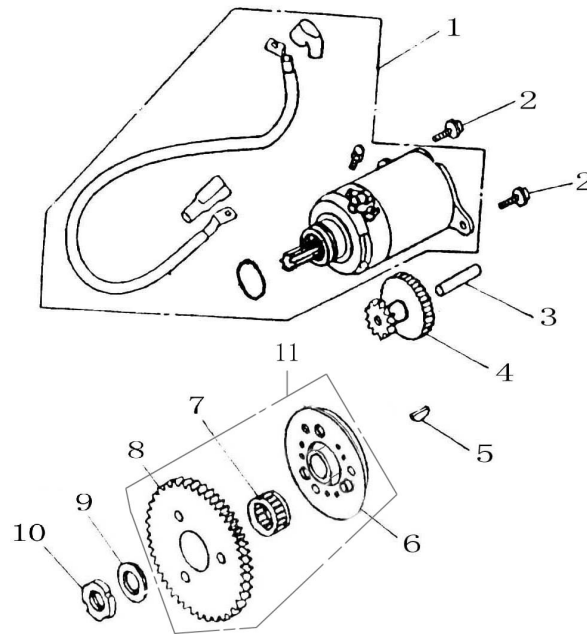
NO.	CODE	DESCRIPTION	QTY
1	152MI-A-2-101	CYLINDER HEAD COVER	1
2	152MI-A-2-104	CYLINDER HEAD COVER GASKET	1
4	152QMI-A -2-107	CYLINDER HEAD COVER BOLT	2
5	52T-2-106	TUBE CLIP 1	1
6	52T-2-105	INTAKE TUBE	1
7	52T-2-103	TUBE CLIP 2	1
10	152MI-A.01.01	CUSHION RING	2
11	152MI-A-2-101-A	CYLINDER HEAD COVER ASSY.	1

En-Fig 8: CRANK SHAFT / PISTON COMP.



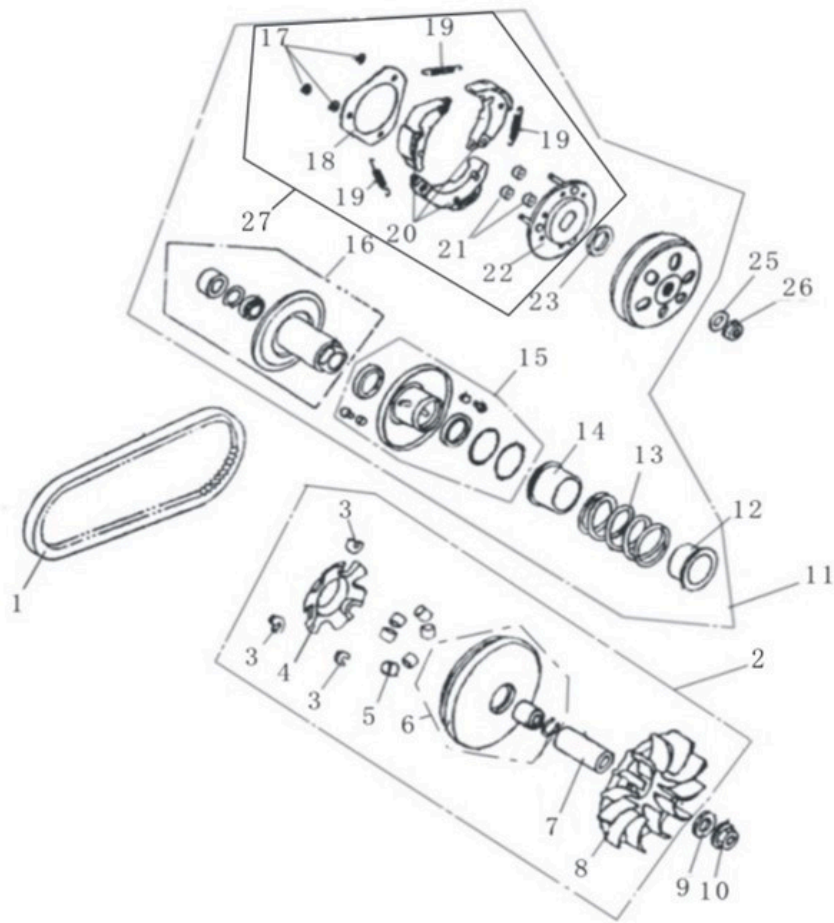
NO.	CODE	DESCRIPTION	QTY	
1	157QMJ-B2-3-10	CRANK SHAFT	1	
2	52T-3-116	HALF-ROUND KEY	1	
3	161QMK-3-110	PISTON	1	
4	52T-3-115	PISTON PIN SNAP RING	2	
5	161QMK-3-113	PISTON RING 3	1	
6	161QMK-3-112	PISTON RING 2	1	
7	161QMK-3-111	PISTON RING 1	1	
8	161QMK-3-114	PISTON PIN	1	

En-Fig 9: ELECTRIC START SYSTEM



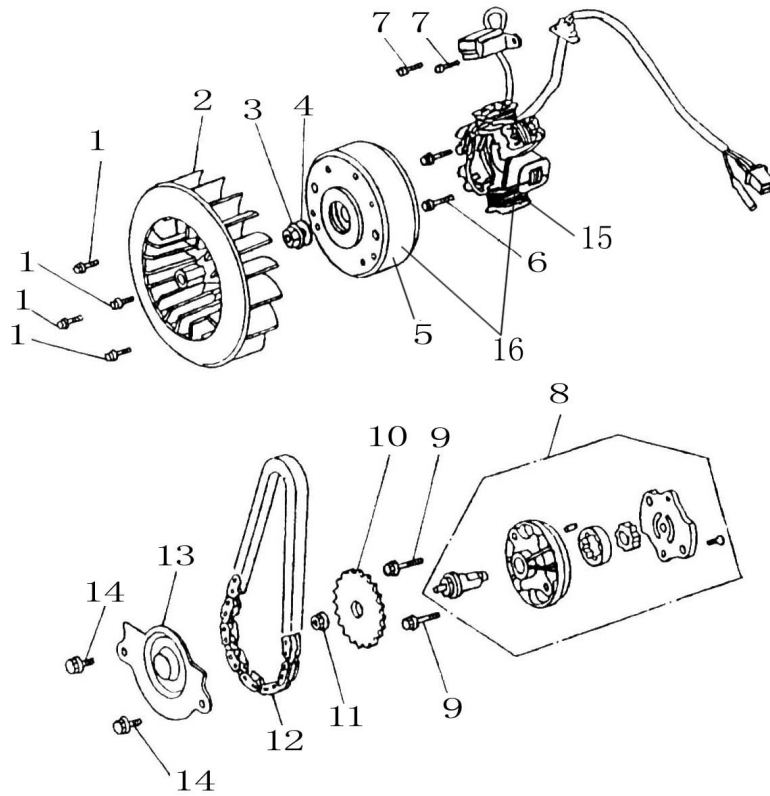
NO.	CODE	DESCRIPTION	QTY.
1	52T-4-101	STARTING MOTOR	1
2	GB/T 16674 M6×16	BOLT M6×16	2
3	52T-4-102	ELECTRIC STARTING GEAR SHAFT	1
4	52T-4-103	STARTING GEAR	1
5	52T-3-116	HALF-ROUND KEY	1
6	57-03-201A	OVER RUN CLUCH	1
7	52T-3-204	NEEDLE BEARING	1
8	57-03-202	OVER RUN GEAR	1
9	52T-3-210	WASHER	1
10	52T-3-209	LOCKING NUT SM22X1 LEFT	1
11	57-03-20A	OVER RUN CLUTCH ASSY.	1

En-Fig 10: DRIVING/DRIVEN WHEEL/BELT COMP.



NO.	CODE	DESCRIPTION	QTY
1	57-5-215	BELT	1
2	52T-5-10	DRIVING WHEEL COMP.	1
9	GB/T 97.1 12.3×29×2.5	WASHER 12.3×29×2.5	2
10	GB/T 6177.2 M12×1.25 H10	BOLT M12×1.25 H=10	1
11	52T-5-20	DRIVEN WHEEL COMP.	1
26	GB/T 6177.2 M12×1.25 H8	BOLT M12×1.25 H=8	1

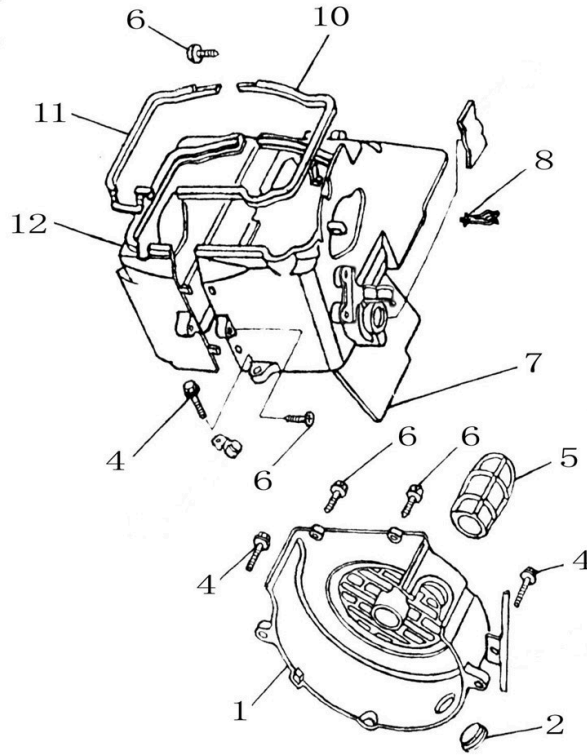
En-Fig 11: MAGNETOR / OIL PUMP COMP.



NO.	CODE	DESCRIPTION	QTY.
1	GB/T 16674 M6×18	BOLT M6×18	4
2	52T-10-20	FAN IMPELLER	1
3	GB/T 6177.2 M12×1.25 H10	BOLT M12×1.25 H=10	1
4	GB/T 97.112-14HV	WASHER 12-14HV	1
5	152.07.101	MAGNETO FLYING WHEEL ASSY.	1
8	52T-1-30	OIL PUMP ASSY	1
9	GB/T 16674 M6×25	BOLT M6×25	2
10	52T-1-306	OIL PUMP SPROCKET	1
11	GB/T 6177.1 M6	NUT M6	1

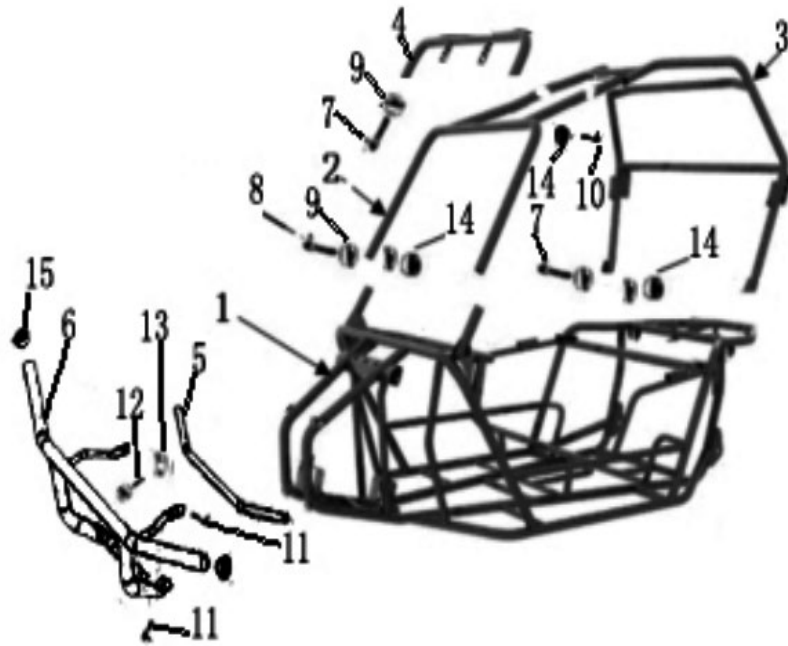
12	52T-1-307	OIL PUMP CHAIN	1	
13	52T-1-308	OIL PUMP COVER	1	
14	GB/T 16674 M6×12	BOLT M6×12	2	
15	152.07.102	MAGNETO STATOR ASSY.DC8	1	

En-Fig 12: FAN/ WIND GUIDE COVER



NO.	CODE	DESCRIPTION	QTY.	
1	157QMJ-7-103	FAN VOLUTE ASSY.	1	
2	52T-7-1033	FAN COVER CAP	1	
4	GB/T 16674 M6×25	BOLT M6×25	3	
5	52T-7-1032	COOLING PIPE	1	
6	GB/T 9456 ST4.8×16-F-H	SCREW ST4.8×16-F-H	5	
7	152QMI-A-7-1012	WIND GUIDE COVER ASSY. UPPER	1	
8	52T-7-1014	HIGH-VOLTAGE CABLE CLIP	1	
10	52T-7-1011	UPPER SEAL	1	
11	52T-7-1022	LOWER SEAL	1	
12	152QMI-A-7-102	WIND GUIDE COVER ASSY. LOWER	1	

FIG 17. FRAME



FRAME			
REF NO.	PART NO.	DESCRIPTION	QTY
17-1	57100-300U	FRAME COMP.(R.S.B)	1
17-2	19-0801020	CEILING BRACKET.FR	1
17-3	19-0801030	CEILING BRACKET.RR	1
17-4	58100-300UB	TOP LIGHTS BRACKET	1
17-5	58010-150U	FRONT FENDER BRACKET	1
17-6	58200-150U	PROTECTING BAR	1
17-7	57870805512505	BOLT M8X55 GB5787	4
17-8	57870806012505	BOLT GB5787 M8*60	2
17-9	8010047250G00	R- WASHER	8
17-10	57870803012505	BOLT M8X30 GB5787	4
17-11	57870801612505	BOLT M8X16 GB5787	4

17-12	57890601610005	BOLT M6X16 GB5789	2
17-13	96000600000005	WASHER ϕ 6 GB96	2
17-14	61870800012505	LOCKING NUT M8 GB6187	10
17-15	65102-150U	COVER PROTECTING BAR	2

FIG.18 ACCESSORIES



ACCESSORIES			
REF NO.	PART NO.	DESCRIPTION	QTY
18-2	8005000250G000	REAR VIEW MIRROR	1
18-3	80051-150U	AWNING	1
18-4	80052-150U	SIDE NETS DOOR	2
18-5	80053-150U-New	WINDSHIELD 4MM	1
18-6	8010086250G400	INSIDE REAR-VIEW MIRROR MOUNT	1
18-7	9040003250G000	INSIDE REAR-VIEW MIRROR O-RING	1
18-8	93000500000005	LOCK WASHER ϕ 5 GB93	1
18-9	81800502510005	BOLT M5X25 GB818	1
18-10	80080-150U	WINDSHIELD MOUNT PLATE 2	4
18-11	80081-150U	WINDSHIELD MOUNT PLATE	6
18-12	80082-150U	WINDSHIELD RUBBER MAT	4
18-13	57870801612505	BOLT M8X16 ,GB5787	4

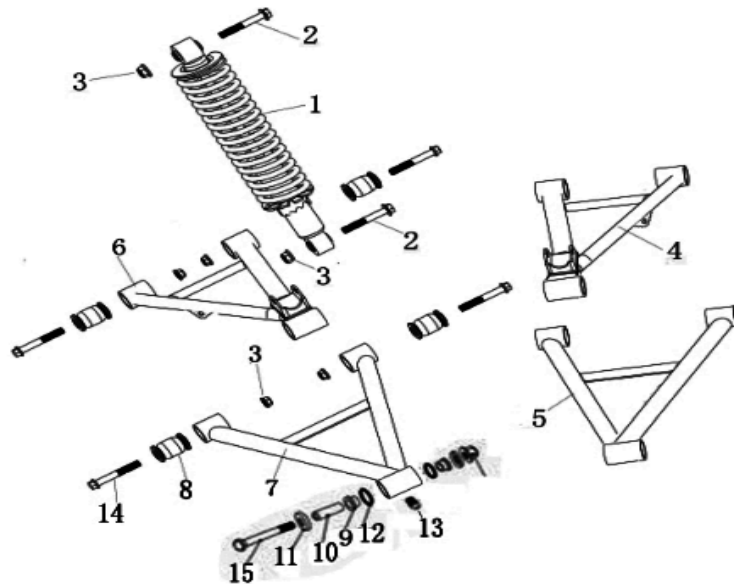
18-14	57870803012505	BOLT M8X30 ,GB5787	4
18-15	57890603010005	BOLT M6X30 ,GB5789	2
18-16	7020005250G000	250 FUEL TANK RUBBER MOUNT	6
18-17	5800400300K000	FUEL TANK COLLAR	6
18-18	61870800012505	LOCKING NUT M8, GB6187	8
18-19	61870600010005	LOCKING NUT M6, GB6187	6
18-20	80054-150UB	DOME LIGHT	2
18-21	80055-150U	DOME LIGHT WIRE	1
18-22	548001-300UB	MIRROR MOUNTING PLATE, R	1
18-23	548002-300UB	MIRROR MOUNTING PLATE, L	1
18-24	57870802012505	BOLT M8X20 ,GB5787	4
18-25	81800603010005	BOLT M6X30 ,GB5787	4
18-26	57019-300UB	REAR VIEW MIRROR SPRING	4

FIG.19 SEAT & SEAT BELT



SEAT & SEAT BELT			
REF NO.	PART NO.	DESCRIPTION	QTY
19-1	51110-150U	DRIVER SEAT ONLY	1
	51110-150UB	HEAD REST AND BACK	2
19-2	51120-150U	PASSENGER SEAT ONLY	1
19-3	51001-150U	DRIVER SEAT SLIDER	1
19-4	9.700.001	SAFETY BELT SPECIAL BOLT	4
19-5	19-0800401	SAFETY BELT	2
19-6	57870801612505	BOLT M8X16 GB5787	4
19-7	37000802012505	BOLT M8X20 GB37	4
19-8	61870800012505	LOCKING NUT M8 GB6187	6

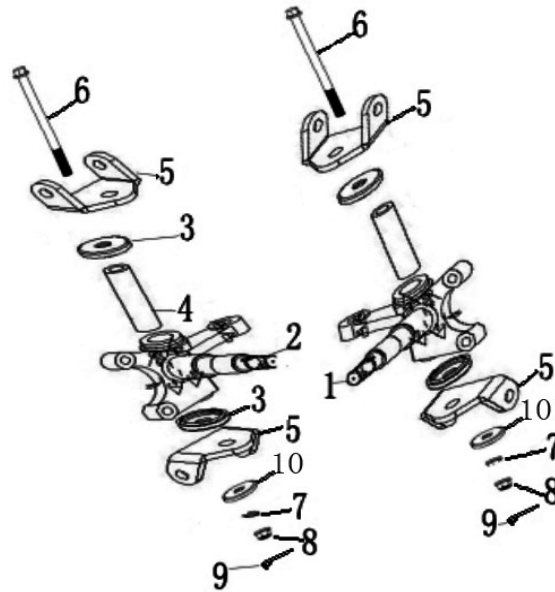
FIG. 20 SUSPENSION ARM ASSEMBLY



SUSPENSION ARM ASSEMBLY			
REF NO.	PART NO.	DESCRIPTION	QTY
20-1	43100-300U	CUSHION ASSY.FR (L=430)	2
20-2	57891004012505	BOLT M10X1.25X40 GB5789	4
20-3	61871000012505	LOCKING NUT M10X1.25 GB6187	16
20-4	58730-150U-01	FRONT UPPER SUSPENSION ARM ASSY.L. (430 CUSHION)	1
20-5	58710-150U-01	FRONT LOWER SUSPENSION ARM ASSY.L. (430 CUSHION)	1
20-6	58760-150U-01	FRONT UPPER SUSPENSION ARM ASSY.R. (430 CUSHION)	1
20-7	58750-150U-01	FRONT LOWER SUSPENSION ARM ASSY.R (430 CUSHION)	1

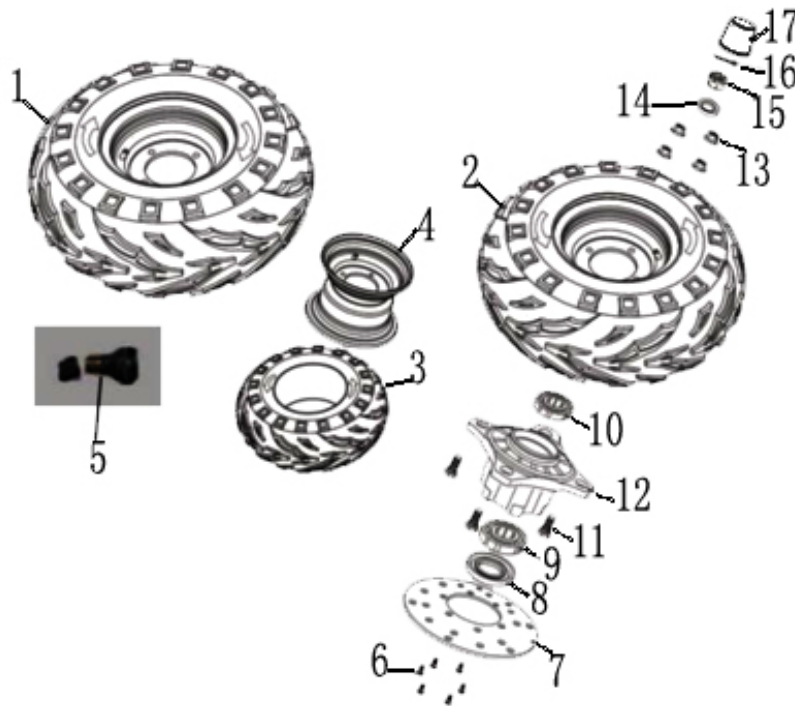
20-8	58720N	SUSPENSION ARM CUSHION BUSH	8
20-9	7010002250G000	SUSPENSION ARM BUSH	8
20-10	58701-150U	FRONT SUSPENSION ARM COLLAR	4
20-11	8020034250G100	LOWER SUSPENSION ARM DUSH CAP	8
20-12	9.040.001	O-RING φ 21.2*2.65	8
20-13	54006400N000	GREASE NIPPLE	4
20-14	57891007012505	BOLT M10X1.25X70 ,GB5789	8
20-15	57891008012505	BOLT M10X1.25X80 ,GB5789	4

FIG 21 FRONT SPINDLE



FRONT SPINDLE			
REF NO.	PART NO.	DESCRIPTION	QTY
21-1	44210-150U	FIXER FR.LH.HUB	1
21-2	44220-150U	FIXER FR.RH.HUB	1
21-3	54300N	FRONT SUSPENSION ARM ADJUSTMENT PLATE	2
21-4	54004N	HUB COLLAR	2
21-5	44001-150U	FRONT SUSPENSION ARM FIXER PLATE LOWER	2
21-6	57891011512505	BOLT M10X1.25X115 GB5789	2
21-7	93001000000005	LOCK WASHER ϕ 10 GB93	2
21-8	61871000012505	LOCKING NUT M10X1.25 GB6187	2
21-9	GB912502500002	COTTER PIN ϕ 2.5×25 GB91	2
21-10	96001000000005	WASHER ϕ 10 ,GB96	2

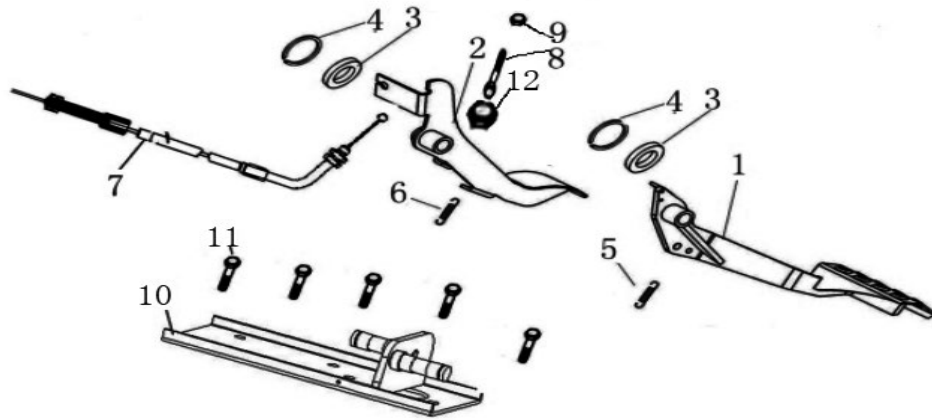
FIG. 22 FRONT WHEEL ASSY



FRONT WHEEL ASSY			
REF NO.	PART NO.	DESCRIPTION	QTY
22-1	6.000.093-GT-UTV-L-AL	FR.WHEEL ASSY.L. 22*7-10 (X model)	1
	6.000.093-GT-UTV-L	FR.WHEEL ASSY.L. 22*7-10	1
22-2	6.000.097-GT-UTV-R-AL	FR.WHEEL ASSY.R. 22*7-10 (X model)	1
	6.000.097-GT-UTV-R	FR.WHEEL ASSY.R. 22*7-10	1
22-3	7.020.033-UTV-B	TIRE RR.22X7-10	2
22-4	6.000.096-UTV-AL	RIM, FRONT WHEEL (X model)	2
	6.000.096-UTV	RIM, FRONT WHEEL	2
22-5	7190018250G000	TIRE NIPPLE	2

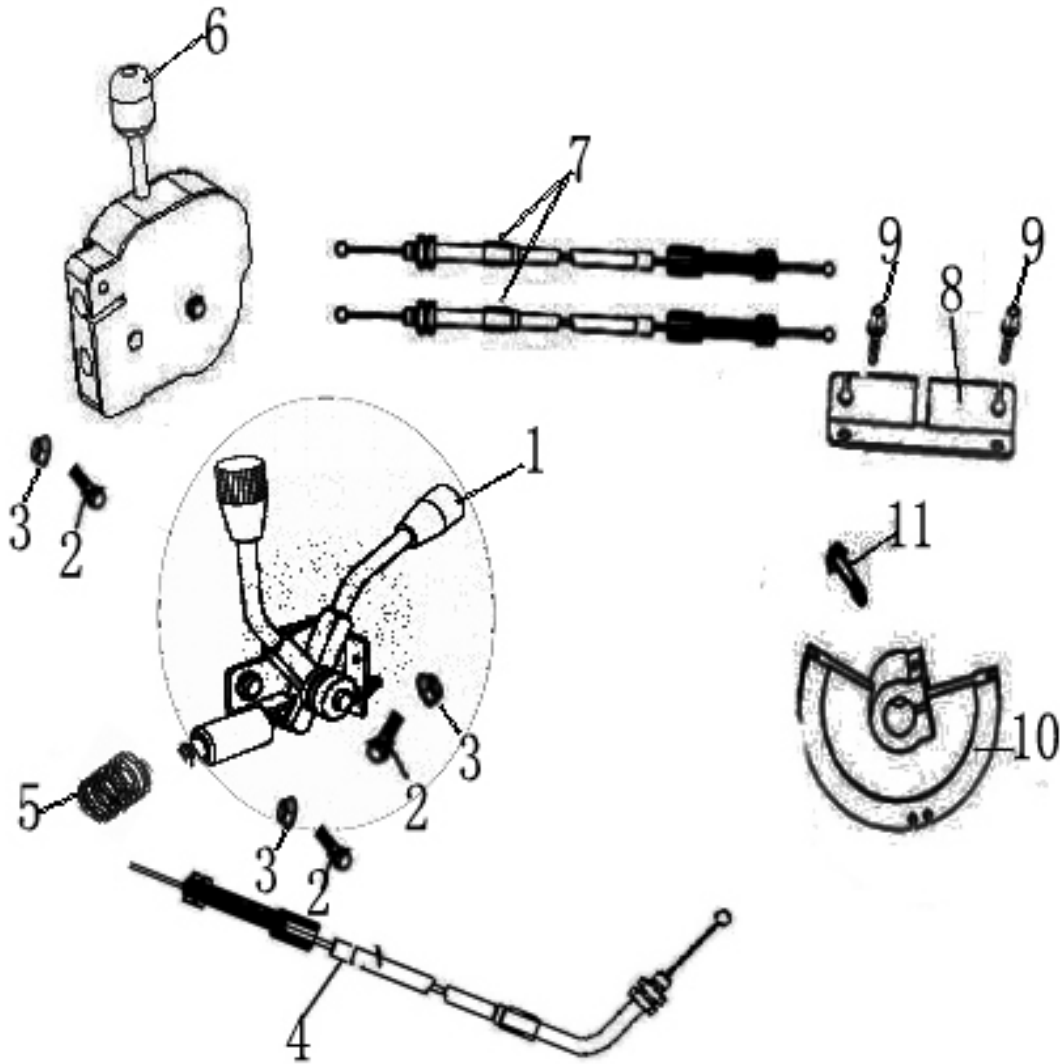
22-6	57830601610005	BOLT M6X16 GB5783	12
22-7	8010054250G000	BRAKE DISC RR	2
22-8	YF047002500700	DUST SEAL 42*25*7	2
22-9	62042RS00000000	BEARING 6204-2RS	2
22-10	62022RS00000000	BEARING 6202-2RS	2
22-11	9.710.031-UTV-X	TIRE BOLT M10×1.25×28 (X model)	8
	9.710.031-UTV	TIRE BOLT	8
22-12	8.010.085- Complete.L	FRONT WHEEL HUB (X model)	2
	8.010.085- Complete.S	FRONT WHEEL HUB	2
22-13	8.010.118	TIRE NUT M10×1.25	8
22-14	97001400000005	WASHER φ14 GB97	2
22-15	94571400015005	CASTLE NUT M14X1.5 GB9457	2
22-16	GB913003000002	COTTER PIN φ3×30 GB91	2
22-17	7.020.039-UTV-Star	HUB COVER	2

FIG. 23 THROTTLE & BRAKE SYSTEM



THROTTLE & BRAKE SYSTEM			
REF NO.	PART NO.	DESCRIPTION	QTY
23-1	58270-150U	BRAKE PEDAL COMP	1
23-2	58230-150U	THROTTLE PEDAL COMP	1
23-3	95001500000005	WASHER ϕ 15 GB95	2
23-4	9.700.015	CIRCLIP ϕ 15	2
23-5	58276N	BRAKE PEDAL RETURN SPRING	1
23-6	58235-150U	THROTTLE PEDAL RETURN SPRING	1
23-7	60120-150U	THROTTLE CABLE COMP	1
23-8	57810804012505	BOLT M8X40 ,GB5781	1
23-9	61700800012505	NUT M8 ,GB6170	1
23-10	58210-150U	BRAKE PEDAL、 THROTTLE PEDAL MOUNTING PLATE	1
23-11	57870801612505	BOLT M8X16 ,GB5787	5
23-12	7010022080G000	RUBBER,THROTTLE PEDAL STOP	1

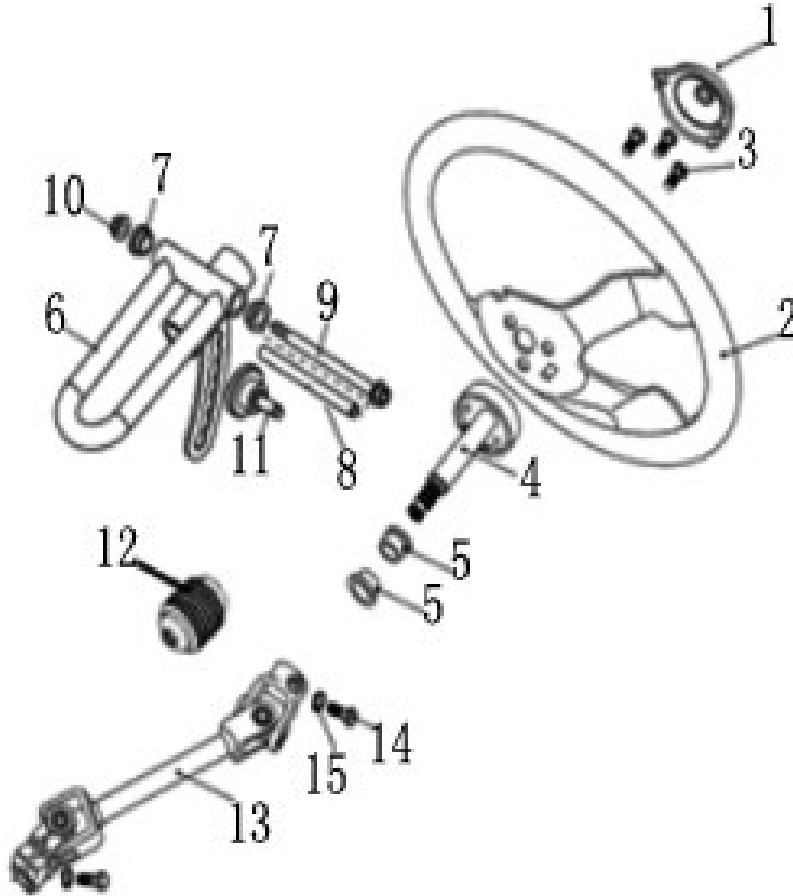
FIG. 24 SHIFTING & HAND BRAKE



SHIFTING & HAND BRAKE			
REF NO.	PART NO.	DESCRIPTION	QTY
24-1	6000042150G000	PARKING BRAKE LEVER ASSY.	1
24-2	57870801612505	BOLT M8X16 GB5787	3
24-3	61870800012505	NUT M8 GB6187	3
24-4	60010-150U	PARKING BRAKE CABLE COMP.	1
24-5	8040004150G000	PARKING BRAKE CABLE SPRING	1

24-6	40700-150U	SHIFTER HOISE ASSY.	1
24-7	60130-150U	REVERSE CABLE COMP.	2
24-8	4000100300G000	REVERSE CABLE FIXED PLATE	1
24-9	57890601210005	BOLT M6X12 GB5789	2
24-10	40002-300GK	SHIFTER DISK	1
24-11	57830602510005	BOLT M6X25 GB5783	1

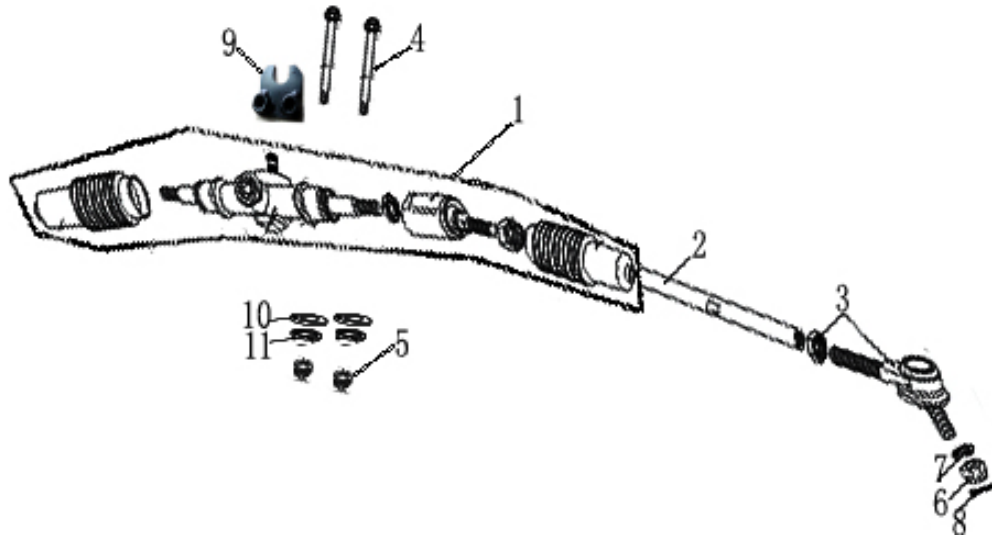
FIG. 25 STEERING WHEEL



STEERING WHEEL ASSY			
REF NO.	PART NO.	DESCRIPTION	QTY
25-1	7010041250G000	STEERING BOLT COVER	1
25-2	7020038250G000	STEERING WHEEL	1
25-3	57830601210005	BOLT M6X12 ,GB5783	3
25-4	4011000150G000	STEERING SHAFT	1
25-5	7010026150G000	BUSH STEERING SHAFT	2
25-6	4000051150GH00	TILT STEERING HOUSING	1
25-7	7010003250G000	UPPER SUSPENSION ARM BUSH,80	2

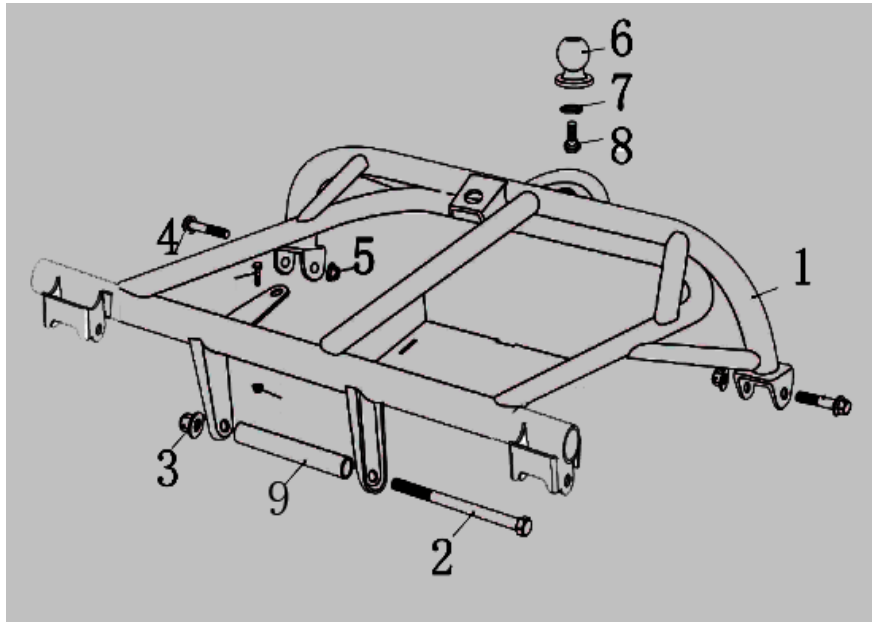
25-8	8010015250G000	UPPER SUSPENSION ARM COLLAR,80	1
25-9	57890810512505	BOLT M8X105 GB5789	1
25-10	61870800012505	LOCKING NUT M8 GB6187	1
25-11	4000100150G000	STEERING GEAR ADJUSTING BOLT	1
25-12	7020066250G000	DUST COVER BALL JOINT	1
25-13	40200-150U-01	STEERING LINKAGE KNUCKLE	1
25-14	57820803012505	BOLT M8X30 ,GB5782	2
25-15	93000800000005	LOCK WASHER ϕ 8 ,GB93	2

FIG. 26 STEERING GEAR



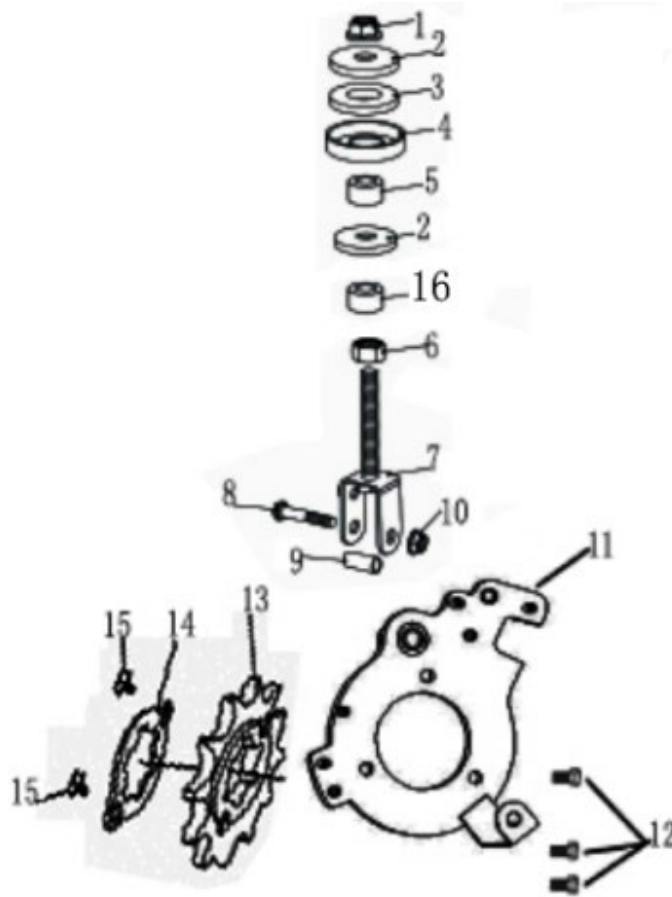
STEERING GEAR			
REF NO.	PART NO.	DESCRIPTION	QTY
26-1	4031000150U002	STEERING GEAR ASSY	1
26-2	4030200150U002	TIE ROD (L=275MM)	2
26-3	4030300150U002	ROD END	2
26-4	57890810012505	BOLT M8X100 GB5789	2
26-5	61870800012505	LOCKING NUT M8 GB6187	4
26-6	94571000012505	CASTLE NUT M10X1.25 GB9457	2
26-7	93001000000005	LOCK WASHER ϕ 10 GB93	2
26-8	GB912502500002	COTTER PIN ϕ 2.5 \times 25 GB91	2
26-9	58020-150U	STEERING GEAR MOUNTING PLATE	2
26-10	96000800000005	WASHER ϕ 8 GB96	2
26-11	93000800000005	LOCK WASHER ϕ 8 GB93	2

FIG. 27 REAR SWING ARM ASSY. UPPER



REAR SWING ARM ASSY. UPPER			
REF NO.	PART NO.	DESCRIPTION	QTY
27-1	58310-150UB	REAR SWING ARM ASSY. UPPER	1
27-2	57891019012505	BOLT M10X1.25X190 GB5789	1
27-3	61871000012505	LOCKING NUT M10*1.25 GB6187	1
27-4	57871206012505	BOLT M12X1.25X60,GB5787	2
27-5	61871200012505	LOCKING NUT M12X1.25 GB6187	2
27-6	8010084250G000	TOW BALL	1
27-7	93001600000005	LOCK WASHER φ16 GB93	1
27-8	57831602520005	BOLT M16X2.0X25 GB5783	1
27-9	8010025150G100	ENGINE MOUNT COLLAR (025)	1

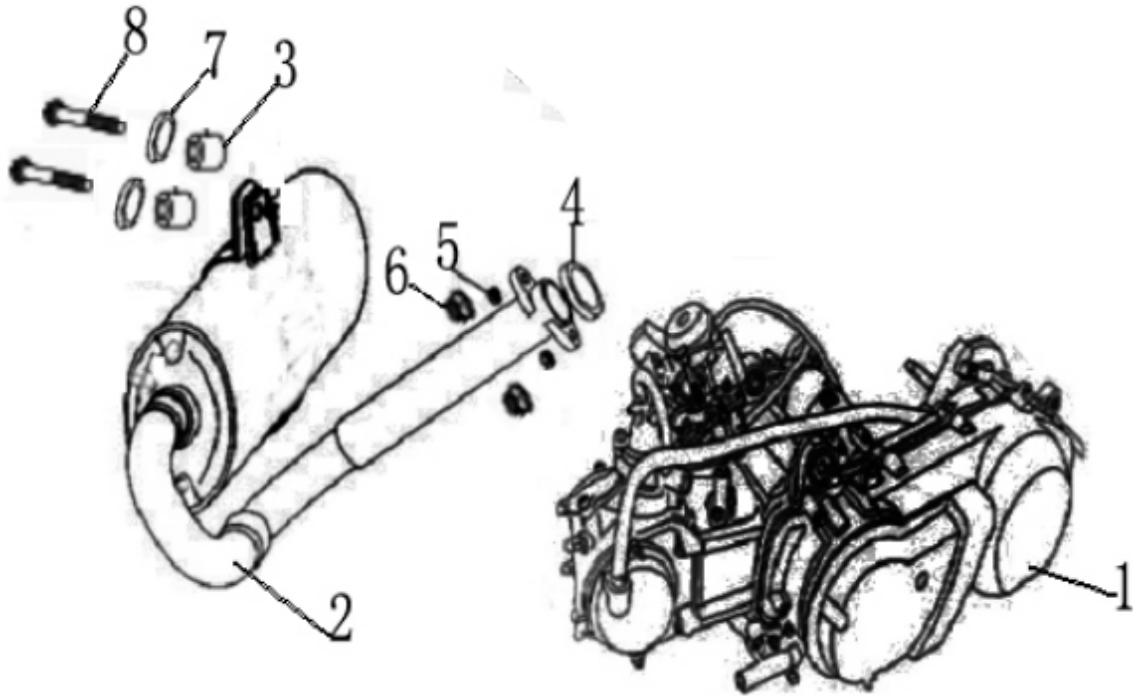
FIG. 28 ENGINE MOUNT ASSY.



ENGINE MOUNT ASSY.			
REF NO.	PART NO.	DESCRIPTION	QTY
28-1	61871200012505	LOCKING NUT M12X1.25 GB6187	1
28-2	8010042250G100	ENGINE MOUNT LINK WASHER	2
28-3	7020001080G000	ENGINE MOUNT LINK CUSHION	1
28-4	8020045080G100	ENGINE MOUNT LINK SPACER	1
28-5	8010041080G000	ENGINE MOUNT LINK COLLAR	1
28-6	61701200012505	NUT M12X1.25 GB6170	1
28-7	6000026150GH00	ENGINE MOUNT BOLT PLATE	1

28-8	57851004512505	BOLT M10X1.25X45 GB5785	1
28-9	8010076150G101	ENGINE MOUNT BOLT PLATE COLLAR	1
28-10	61871000012505	LOCKING NUT M10*1.25 GB6187	1
28-11	1010000300G000	ENGINE MOUNT PLATE	1
28-12	57830801612505	BOLT M8X16 GB5783	3
28-13	10102-150U	OUTPUT SPROCKET (13T 530)	1
28-14	157-3.11.126	SPROCKET LOCATING PLATE	1
28-15	57870601210005	BOLT M6×12 GB/T16674	2
28-16	58612-150U	ENGINE MOUNT LINK COLLAR 2 (16*1.5-25)	1

FIG. 29 ENGINE & EXHAUST



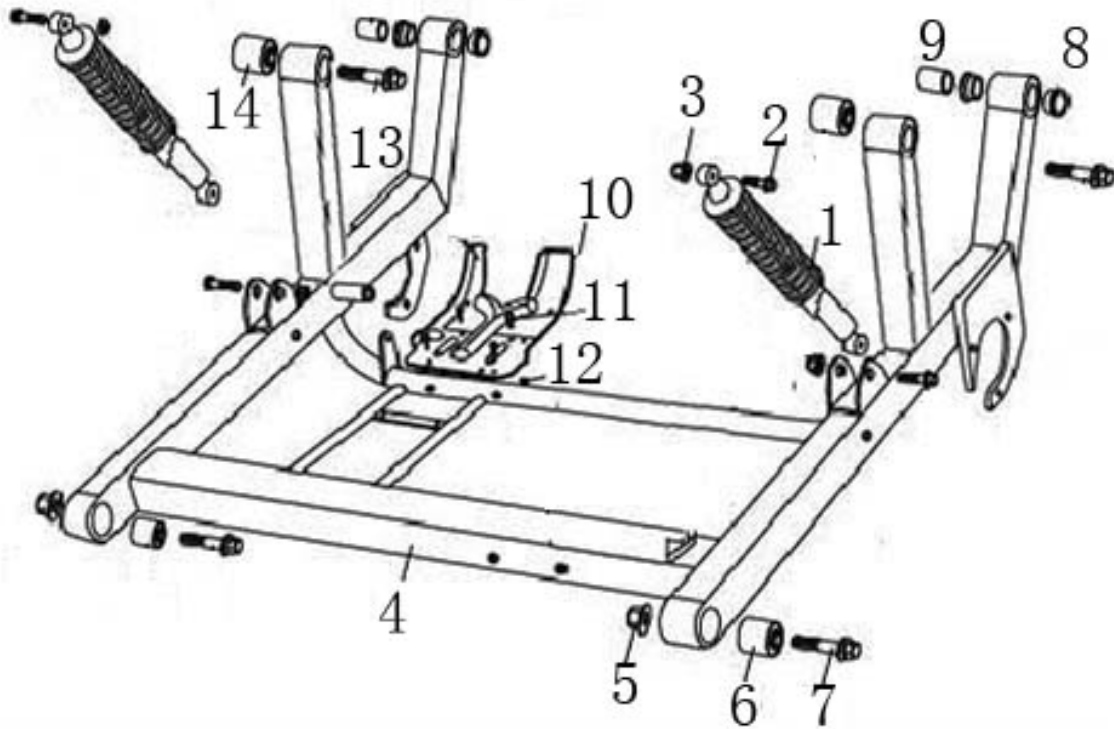
ENGINE & EXHAUST			
REF NO.	PART NO.	DESCRIPTION	QTY
29-1	1000040200G001	ENGINE ASSY 200cc	1
29-2	6000229150G001A	MUFFLER COMP.EX.	1
29-3	47209-300U	MUFFLER RUBBER	1
29-4	9040005150G000	EX.PIPE GASKET	1
29-5	93000600000005	LOCK WASHER $\phi 6$,GB93	2
29-6	9040027150G000	MUFFLER COMP NUT M6	2
29-7	96000800000005	WASHER $\phi 8$ GB96	1
29-8	57870803012505	BOLT M8X30 GB5787	1

FIG. 30 CARBURETOR & AIR FILTER



CARBURETOR & AIR FILTER			
REF NO.	PART NO.	DESCRIPTION	QTY
30-1	PD24J	CARBURETTOR ASSY	1
30-2	4900500300K000	HOSE CLAMP, 38-51	2
30-3	49000-150G	AIR CLEANER ASSY	1
30-4	6000151150G000	FILTER ELEMENT	1
30-5	4910100150G000	AIR CLEANER JOINT	1
30-6	7010048150G000	AIR CLEANER CASE	1
30-7	4900400150G000	AIR CLEANER MOUNT PLATE	1
30-8	1101000150G000	ENRICH VALVE	1
30-9	57890601610005	BOLT M6X16 GB5789	1
30-10	61870600010005	LOCKING NUT M6, GB6187	1

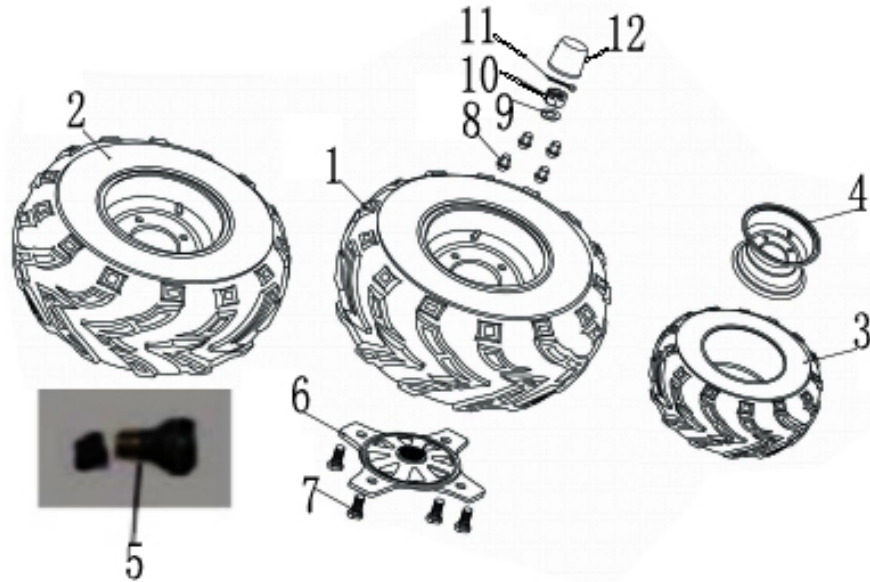
FIG. 31 REAR SWING ARM & SHOCKS



REAR SWING ARM & SHOCKS			
REF NO.	PART NO.	DESCRIPTION	QTY
31-1	63100-150U	CUSHION ASSY.RR	2
31-2	57891004012505	BOLT M10X1.25X40 GB5789	4
31-3	61871000012505	LOCKING NUT M10*1.25, GB6187	4
31-4	54400-150B	RR, LOWER SWING ARM COMP.	1
31-5	61871200012505	LOCKING NUT M12X1.25 GB6187	2
31-6	7020008250G000	CUSHION BUSHING Φ 12* Φ 30*30/35	2
31-7	57871206012505	BOLT M12X1.25X60 GB5787	2
31-8	7010006150G000	SWING ARM BUSH.	4
31-9	8010028150G100	SWING ARM COLLAR. Φ 12* Φ 18*36	2

31-10	7010032150G001	CHAIN DISC GUARD	1
31-11	57890601210005	BOLT M6X12 GB5789	4
31-12	61700600010005	NUT M6 GB6170	4
31-13	57891007012505	FLANGE BOLT M10×1.25×70	2
31-14	58720N	CUSHION BUSH	2

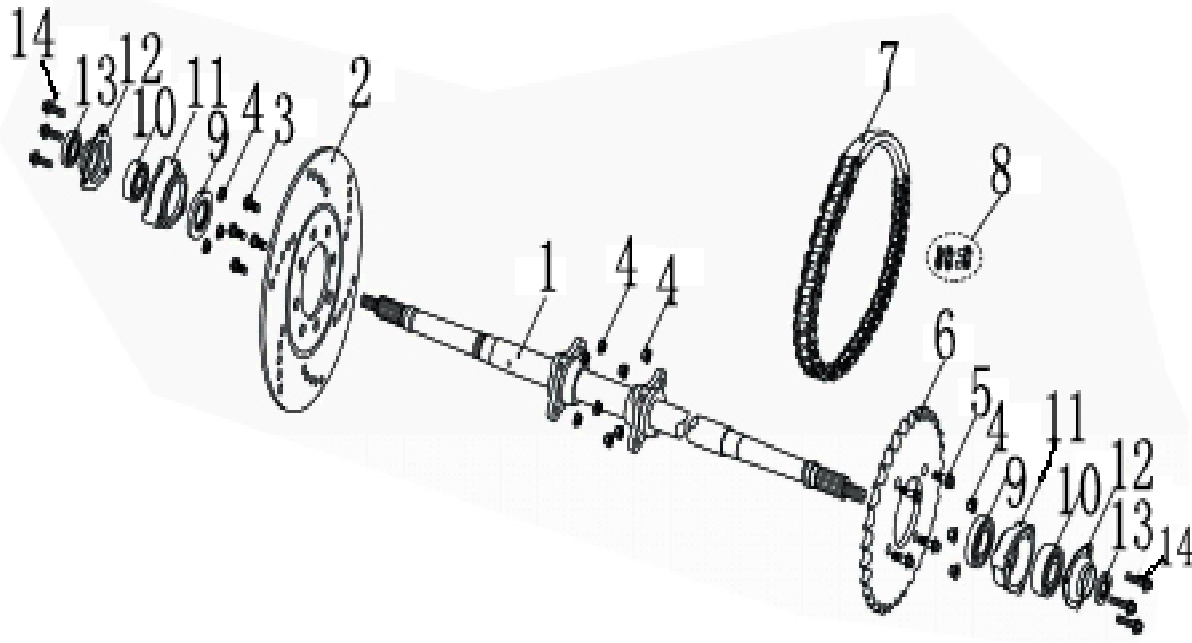
FIG. 32 REAR WHEEL ASSY.



REAR WHEEL ASSY.			
REF NO.	PART NO.	DESCRIPTION	QTY
32-1	5410000150U002	REAR WHEEL ASSY.L. (X model)	1
	6.000.383-GT	REAR WHEEL ASSY.L.	1
32-2	5420000150U002	REAR WHEEL ASSY.R. (X model)	1
	6.000.052-GT	REAR WHEEL ASSY.R.	1
32-3	7.020.052	TIRE RR.22*10-10	2
32-4	5411000150U002	RIM, REAR WHEEL (X model)	2
	6.000.105-UTV	RIM, REAR WHEEL	2
32-5	7190018250G000	TIRE NIPPLE	2
32-6	8010089150U700	REAR WHEEL HUB (X model)	2
	8010089150G700	REAR WHEEL HUB	2
32-7	9.710.031-UTV-X	TIRE BOLT (X model)	8
	9.710.031-UTV	TIRE BOLT	8

32-8	8.010.118	TIRE NUT M10×1.25	8
32-9	97001600000005	WASHER φ16 GB97	2
32-10	94571600015005	CASTLE NUT M16X1.5 GB9457	2
32-11	GB914004000002	COTTER PIN φ4×40 GB91	2
32-12	7.020.039-UTV-Star	HUB COVER	2

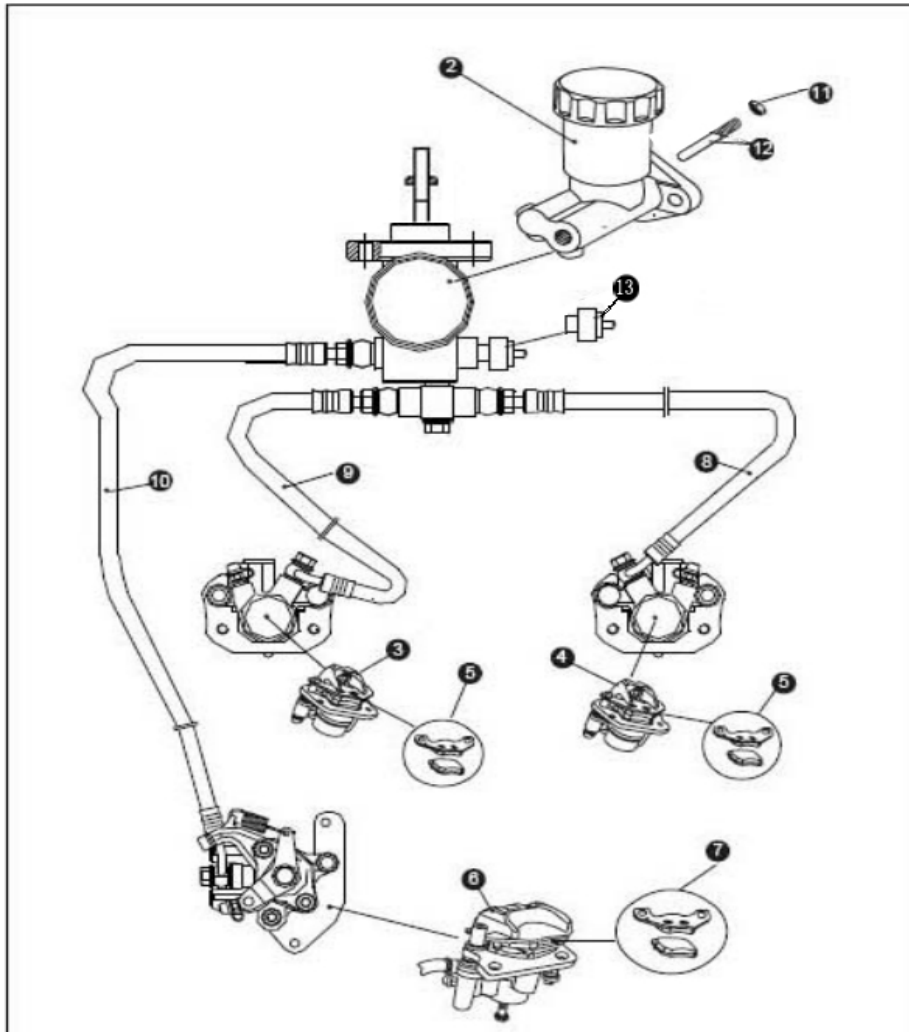
FIG. 33 REAR AXLE



REAR AXLE			
REF NO.	PART NO.	DESCRIPTION	QTY
33-1	8010057150G0A0	REAR AXLE	1
33-2	8010053250G000	RR. BRAKE DISC	1
33-3	57870802512505	BOLT M8X25 GB5787	4
33-4	61870800012505	LOCKING NUT M8 GB6187	14
33-5	GB7008045100	BOLT M8X45 GB70	4
33-6	8010077250G000	REAR SPROCKET (39T-530)	1
33-7	9170002150U001	DRIVE CHAIN (54-530H)	1
33-8	6000149150G000	CHAIN MASTER LINK (530H)	1
33-9	YF050003400700	DUST SEAL 50X34-7	2
33-10	62062RS0000000	BEARING 6206-2RS	2
33-11	8030008150G100	RR. AXLE BEARING HOUSING COMP	2

33-12	8020028150G100	BEARING BASE	2
33-13	YF042003000700	DUST SEAL 42X30-7	2
33-14	57870804012505	BOLT M8X40 GB5787	6

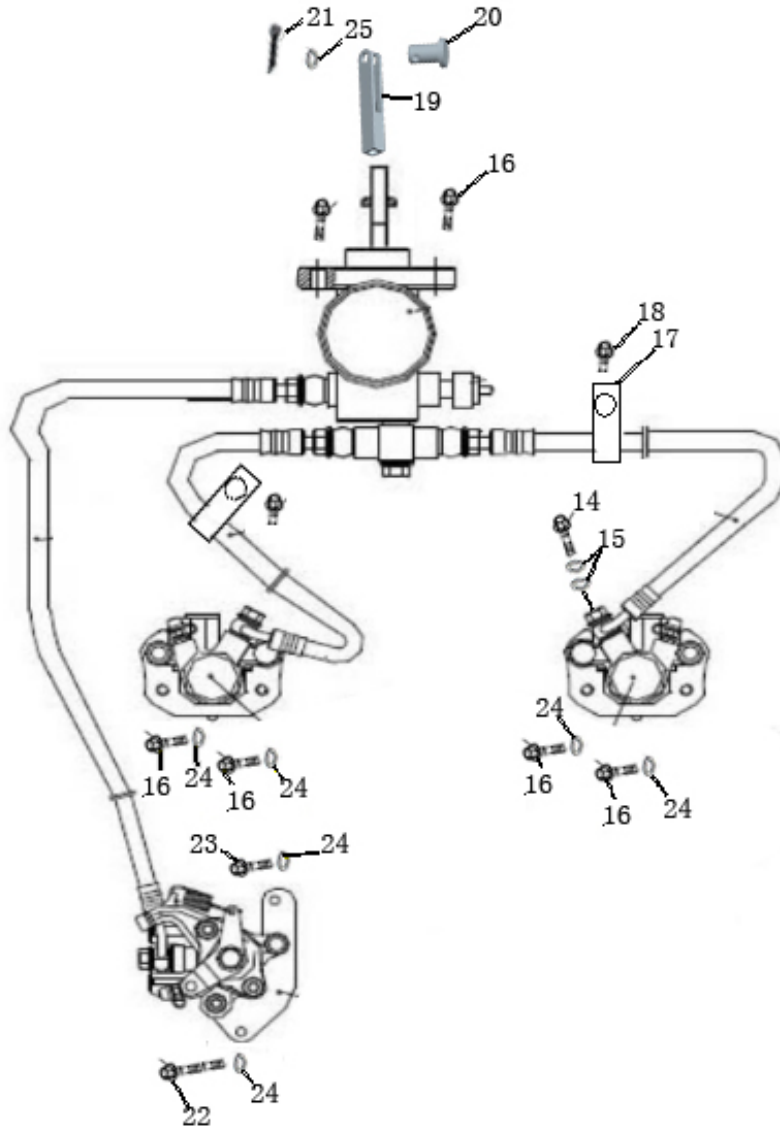
FIG. 34 BRAKE ASSY. 1



BRAKE ASSY. 1			
REF NO.	PART NO.	DESCRIPTION	QTY
34-1	45000-150U	BRAKE ASSY.	1
34-2	45110N	BRAKE MASTER CYLINDER	1
34-3	6000095250G000	FRONT BRAKE CALIPER R.	1
34-4	6000028250G000	FRONT BRAKE CALIPER L.	1
34-5	7020016250G000	FRONT BRAKE CALIPER PAD SET	2
34-6	6000229150G000	BRAKE CALIPER ASSY.RR	1

34-7	7020022150G000	REAR BRAKE CALIPER PAD SET	1
34-8	6.000.089-150U	HOSE ASSY.L.BRAKE	1
34-9	6.000.090-150U	HOSE ASSY.R.BRAKE	1
34-10	6.000.091-150U	HOSE ASSY.RR.BRAKE	1
34-11	8.010.081-150U	BRAKE SPINDLE PIN	1
34-12	61700800012505	NUT M8 GB6170	1
34-13	6.000.063-150U	BRAKE LAMP SWITCH	1

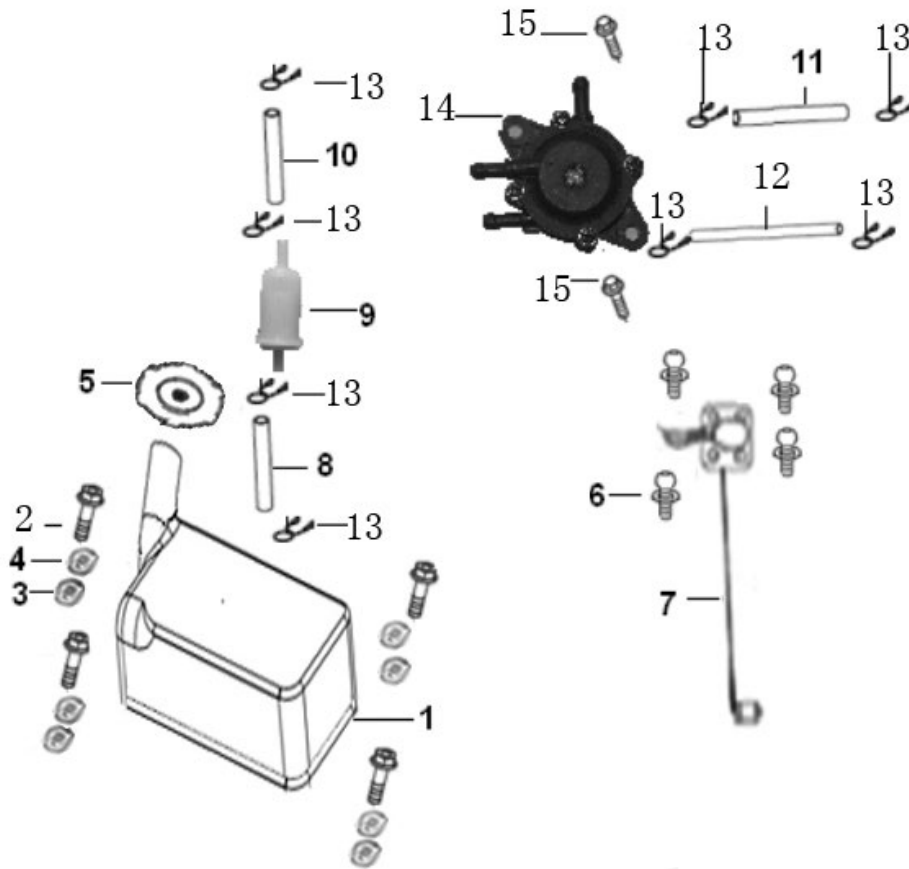
FIG. 35 BRAKE SYSTEM 2



STEERING WHEEL ASSY			
REF NO.	PART NO.	DESCRIPTION	QTY
35-14	F020206-10024	BANJO BOLT M10×24	5
35-15	9.300.010	HOSE WASHER φ10 BRAKE	12
35-16	57870802512505	BOLT M8X25 GB5787	6
35-17	4517100300K000	HOSE CLIP	2

35-18	57890601610005	BOLT M6X16 GB5789	2
35-19	4402100400N000	SPINDLE BRACKET	1
35-20	9.700.720	PIN ϕ 7×20	1
35-21	GB912502500002	COTTER PIN ϕ 2.5×25 GB91	1
35-22	57890810012505	BOLT M8X100 GB5789	1
35-23	57870801612505	BOLT M8X16 GB5787	1
35-24	93000800000005	LOCK WASHER ϕ 8 GB93	6
35-25	97000800000005	WASHER ϕ 8 GB97	1

FIG. 36 FUEL TANK



FUEL TANK			
REF NO.	PART NO.	DESCRIPTION	QTY
36-1	50010-150U	FUEL TANK	1
36-2	57870801612505	BOLT M8X16 GB5787	3
36-3	50001-150U	FUEL TANK RUBBER	3
36-4	96000800000005	WASHER ϕ 8 GB96	3
36-5	6000145080G000	FUEL TANK CAP	1
36-6	90746601610005	BOLT M6X16 GB9074.6	4
36-7	50030-150U	GAUGE,OIL LEVEL	1
36-8	80301-150U	OIL PIPE Φ 4.5* Φ 8.5*250	1

36-9	6000056250G000	PETROL FILTER	1
36-10	80302-150U	OIL PIPE $\Phi 4.5 \times \Phi 8.5 \times 80$	1
36-11	80303-150U	OIL PIPE $\Phi 4.5 \times \Phi 8.5 \times 900$	1
36-12	80303-150U	OIL PIPE $\Phi 4.5 \times \Phi 8.5 \times 900$	1
36-13	621A0700000000	TUBE CIRCLIP $\varphi 7$	8
36-14	50300-150U	OIL PUMP	1
36-15	57890601610005	BOLT M6X16 GB5789	2
	1110171200G000	Fuel pump (EFI)	1

FIG. 37 ELECTRICAL PARTS 1



ELECTRICAL PARTS 1			
REF NO.	PART NO.	DESCRIPTION	QTY
37-1	8002503-150U	WIRE HARNESS MAIN	1
	8002503-200E	EFI model	1
37-2	8002502-150U	WIRE HARNESS AUXILIARY	1
	8002502-200E	EFI model	
37-3	8002501-150U	BATTERY CABLE	1
37-4	6000124150G000	VOLTAGE REGULATOR	1
37-5	6000126150G000	CDI	1
37-6	6000125150G000	IGNITION COIL	1

37-7	6000035250G000	STARTING RELAY	1
37-8	80028N	SUPPLEMENTARY RELAY	1
37-9	6000038250G000	RESISTANCE	1
37-10	19-0900307	COMBINATION SWITCH 1	1
37-11	19-0900308	COMBINATION SWITCH 2	1
37-12	6000153250G000	FLASHER	1
37-13	6000087250G000	CIGAR LIGHTER	1
37-14	7020051250G000	CIGAR LIGHTER COVER	1
37-15	6000158250G000	IGNITION SWITCH	1
37-16	6000159300U000	ENGINE STOP SWITCH	1
37-17	57890601210005	BOLT M6X12 ,GB5789	1
37-18	57890602510005	BOLT M6X25 ,GB5789	2
37-19	81800503010005	BOLT M5X30 ,GB818	1
37-20	93000500000005	LOCK WASHER ϕ 5 ,GB93	1
37-21	97000500000005	WASHER ϕ 5, GB97	2
37-22	61870600010005	NUT M6 ,GB6187	2

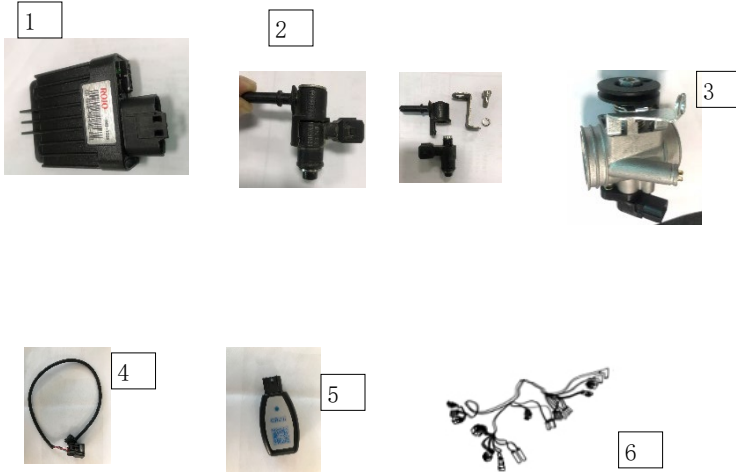
FIG. 38 ELECTRICAL PARTS 2



ELECTRICAL PARTS 2			
REF NO.	PART NO.	DESCRIPTION	QTY
38-23	19-0900302	HEAD LIGHT	2
38-24	19-0900309	TURN LIGHT	2
38-25	19-0900305	TAIL LIGHT ,L	1
38-26	19-0900306	TAIL LIGHT ,R	1
38-27	19-0900310	TURN LIGHT BRACKET	2
38-28	58014-150U	TURN LIGHT MOUNTING PLATE 1	2

38-29	58013-150U	TURN LIGHT MOUNTING PLATE 2	2
38-30	28234201600005	BOLT ST4.2*16 ,GB2823	16
38-31	28234201300005	BOLT ST4.2*13 ,GB2823	8
38-32	61770600010005	NUT M6, GB6177	10
38-33	6000382250G000	BATTERY	1
38-34	7010028250G000	BATTERY COVER	1
38-35	7020023250G000	BATTERY BAND	1
38-36	8002200300U000	SPEEDOMETER ASSY	1
38-37	8002900150U000	SPEED TRANSDUCER	1
38-38	8003000150U000	SPEED TRANSDUCER CABLE	1
38-39	61700500010005	NUT M5 ,GB6170	2
38-40	8300200300K000	MAGNETIC CYLINDER	1
38-41	6000135250G000	HORN, H	1

EFI SYSTEM



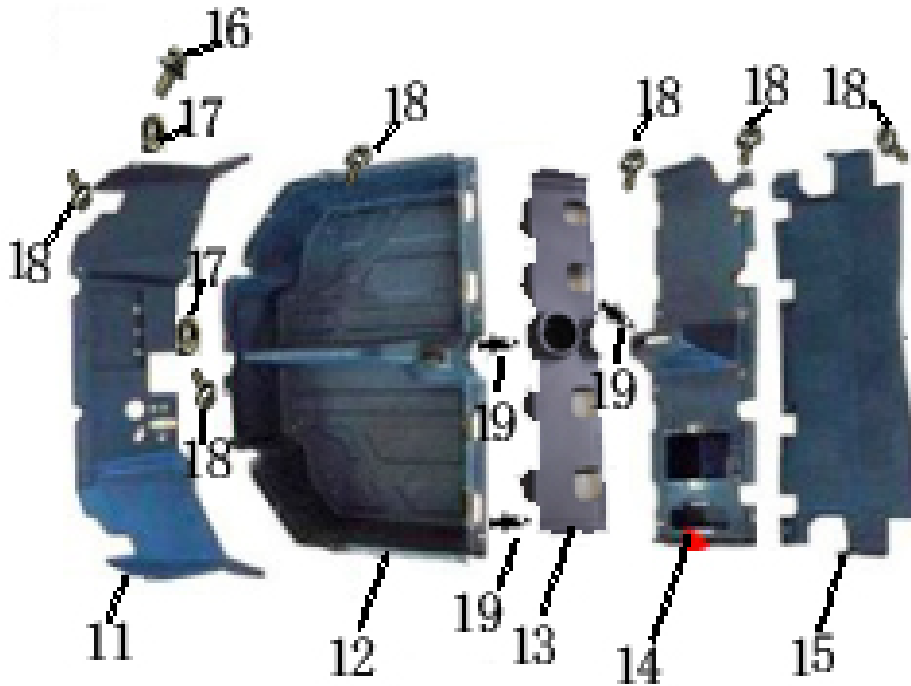
NO.	CODE	DESCRIPTION	QTY.	
1	1110172200G000	ECU 200 EFI	1	
2	1110174200G000	Fuel Injector (EFI)	1	
3	1110173200G000	THROTTLE BODY ASSEMBLY (EFI)	1	
4	1110177300G000	ECU WIRE	1	
5	1110170300G000	BLUETOOTH DEVICE	1	
6	1110179200G002	EFI wire harness of 200E	1	
7	1110177200G000	INTAKE PIPE WITH O-RING.	1	

FIG. 39 PLASTIC PARTS 1



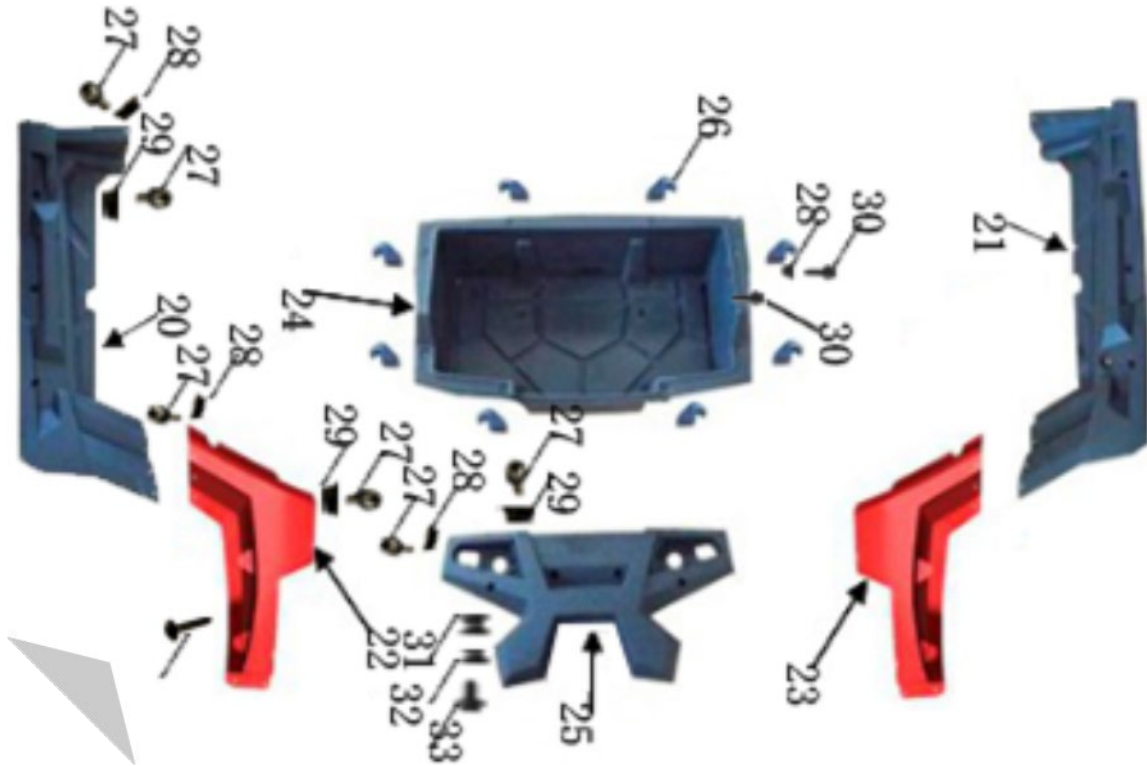
PLASTIC PARTS 1			
REF NO.	PART NO.	DESCRIPTION	QTY
39-1	19-1000101	HEADLAMPS COVER	1
39-2	19-1000104	AIR WINDOW	1
39-3	19-1000105	FRONT PANEL	1
39-4	19-1000103	INSTRUMENT COVER	1
39-5	57890601210005	BOLT M6X12 ,GB5789	2
39-6	57890601610005	BOLT M6X16 ,GB5789	2
39-7	90746601610005	BOLT M6X16 ,GB9074.6	10
39-8	61770600010005	NUT M6, GB6177	6
39-9	Q3120600010000	NUT M6, Q312	4
39-10	28234201300005	BOLT ST4.2*13 ,GB2823	3

FIG. 40 PLASTIC PARTS 2



PLASTIC PARTS 2			
REF NO.	PART NO.	DESCRIPTION	QTY
40-11	19-1000106	FRONT FENDER (FOOTREST)	1
40-12	19-1000109	FOOTREST	1
40-13	19-1000151	EXTENDED CONNECTION PLATE	1
40-14	19-1000110	REAR FENDER (FOOTREST)	1
40-15	19-1000113	REAR FENDER (SEAT)	1
40-16	90746601610005	BOLT M6X16 ,GB9074.6	4
40-17	61770600010005	NUT M6, GB6177	10
40-18	57890601610005	BOLT M6X16 ,GB5789	35
40-19	19-1000121	PLASTIC SCREW	6

FIG. 41 PLASTIC PARTS 3



PLASTIC PARTS 3			
REF NO.	PART NO.	DESCRIPTION	QTY
41-20	19-1000107	LEFT SIDE PLATE	1
41-21	19-1000108	RIGHT-SIDE PLATE	1
41-22	19-1000111	LEFT SIDE PLATE (CAR HOPPER)	1
41-23	19-1000112	RIGHT-SIDE PLATE (CAR HOPPER)	1
41-24	19-1000116	CAR HOPPER	1
41-25	19-1000117	REAR FENDER (CAR HOPPER)	1

41-26	19-1000115	HOOK (CAR HOPPER)	8
41-27	90746601610005	BOLT M6X16 ,GB9074.6	30
41-28	61770600010005	NUT M6, GB6177	24
41-29	Q3120600010000	NUT M6, Q312	10
41-30	57890601610005	BOLT M6X16 ,GB5789	14
41-31	7020005250G000	250 FUEL TANK RUBBER MOUNT	4
41-32	5800400300K000	FUEL TANK COLLAR	4
41-33	57890603510005	BOLT M6X35 ,GB5789	4

FIG. 42 STICKERS & MANUAL



STICKERS & MANUAL			
REF NO.	PART NO.	DESCRIPTION	QTY
23-1	90720-200U	WARNING DECALS	1
23-2	907100-200U-R	TRADEMARK DECALS RED	1
23-2	907100-200U-G	TRADEMARK DECALS GREEN	1
23-3	90730-200	TYPE OF DECAL	4
23-4	90901-200	EPA HANG TAG	1
23-5	90902-200U	EPA ANTI-COUNTERFEITING LABELING	1
23-6	90771-200U	OWNER'S MANUAL	1
23-7	7110003-200U	SPARK PLUG SOCKET	1