

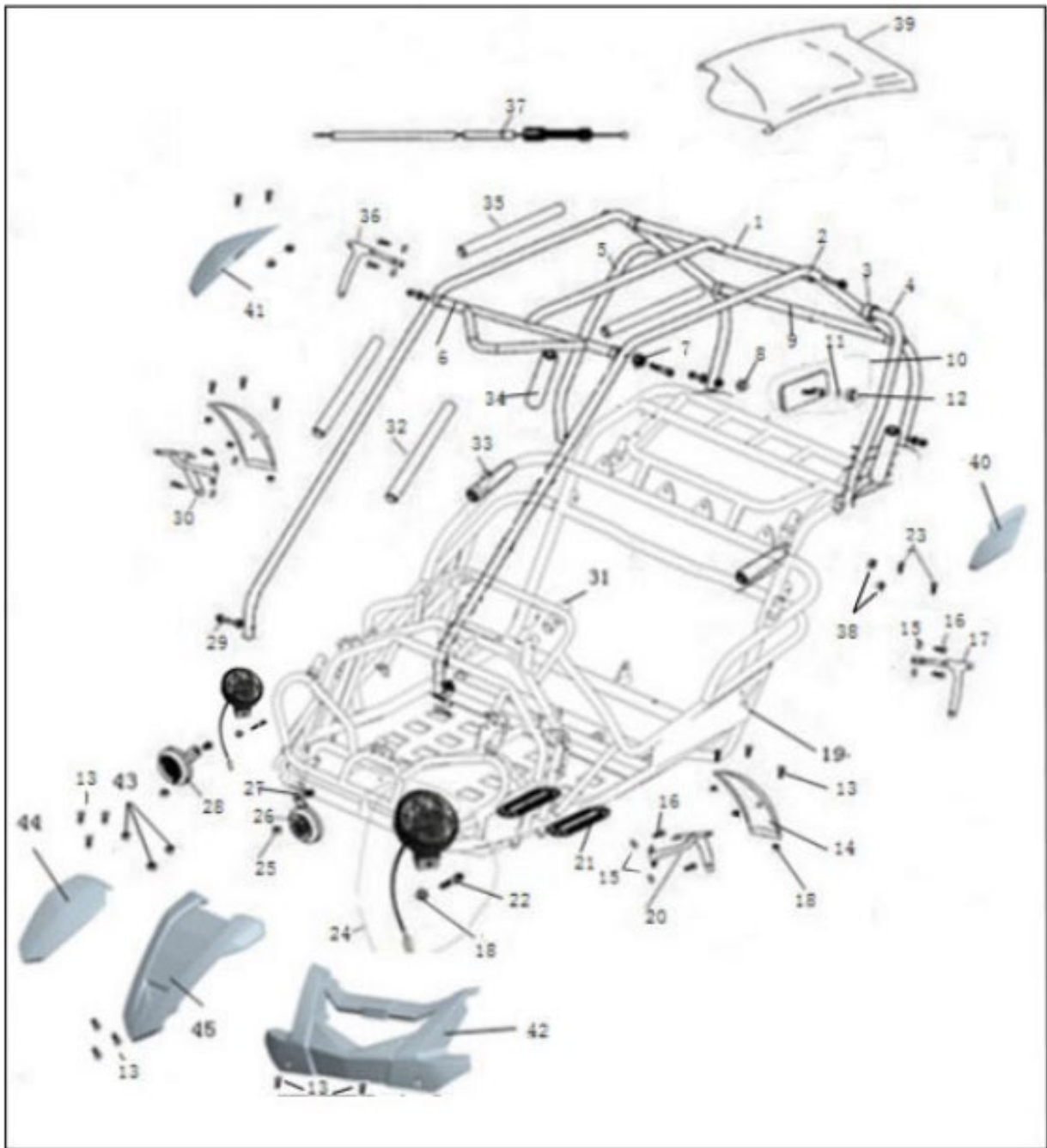


Blazer i200R PARTS MANUAL



VERSION 1.0
05/30/2023

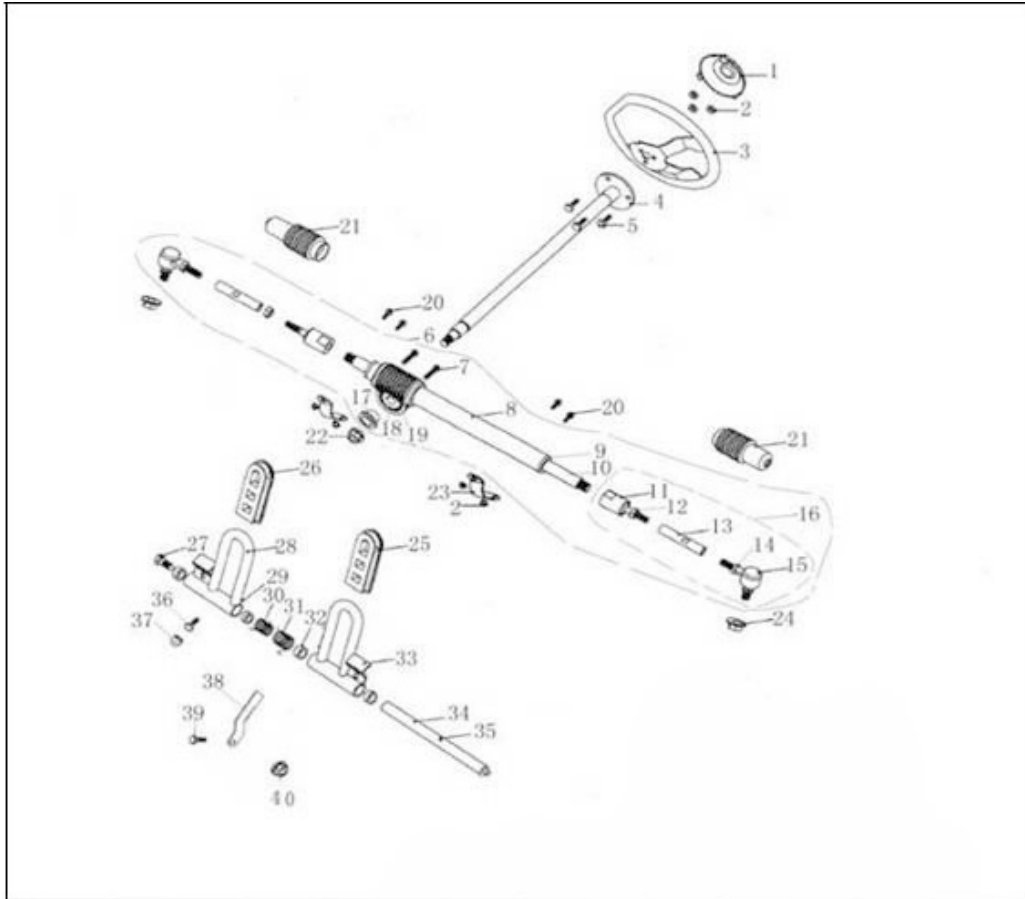
FRAME GROUP



NO.	CODE	DESCRIPTION	QTY.	
1	6060300080G000	C.B.C.CUSTOM CROSS BARTOP.FR(R.S.B)	1	
2	8070054080G000	C.B.C.BARCAGE.(R.S.B)	2	
3	7110018080G000	TUBE SEAT \varnothing 28	2	
4	8070055080G000	C.B.C.CUSTOM J-BAR.LSIDE(R.S.B)	1	
5	8070056080G000	C.B.C.CUSTOM J-BAR.RSIDE(R.S.B)	1	
6	7010017250G000	TUBE SEAT \varnothing 25	6	
7	8010047250G000	R- WASHER	20	
8	61870800012505	GB6187 NUT M8	6	
9	8080078080G000	C.B.C.CUSTOM CROSS BARTOP.RR(R.S.B)	1	

10	8006000300K000	REAR REFLECTOR	1	
11	97000500000005	GB97 WASHER φ5	1	
12	61700500010005	GB6170 NUT M5	1	
13	57890601610005	GB5789 BLOT M6X16	14	
14	6001074080G000	FENDER	2	
15	93000600000005	GB93 SPRING WASHER φ6	8	
16	57890601410005	GB5789 BLOT M6X14	8	
17	6132172080GH01	REAR FENDER BRACKET.L	1	
18	61770600010005	GB6177 NUT M6	8	
19	2000054080GH05	FRAME COMP.(R.S.B)	1	
20	6131172080GH00	FRONT FENDER BRACKET,L	1	
21	7020045080G000	RUBBER FOOLPLAIE	4	
22	81800604010005	GB818 BLOT M6X14	2	
23	9730060080G000	BOLT M6x14	4	
24	8110000050GB01	headlamp	2	
25	61700800012505	GB6170 NUT M8	2	
26	6000136250G000	HORN.L	1	
27	57890801612505	GB5789 BOLT M8x16	2	
28	6000135250G000	HORN.H	1	
29	57870805012505	GB5787 BOLT M8x50	14	
30	6130172080GH00	FRONT FENDER BRACKET,R	1	
31	7010006150G000	STEERINGSHAFT BUSH	1	
32	7020111080G000	FOAM PADDING-3	2	
33	6000189080G000	FOAM RADDING-1	2	
34	6100319080G000	FOAM RADDING-4	2	
35	6000319080G000	FOAM RADDING-2	2	
36	6133172080GH01	REAR FENDER BRACKET,R	1	
37	6000339080G000	THROTTLE CABLE COMP.	1	
38	61820600010005	NUT M6	4	
39	6000320080G006	BIKINI TOP	1	
40	6504000080G000	FENDER-F	1	
41	6505000080G000	FENDER-R	1	
42	6503000080G000	Fender	1	
43	94000000600005	NUT M6	3	
44	6502000080G000	Decorative sheet	1	
45	6501000080G000	Front panel	1	

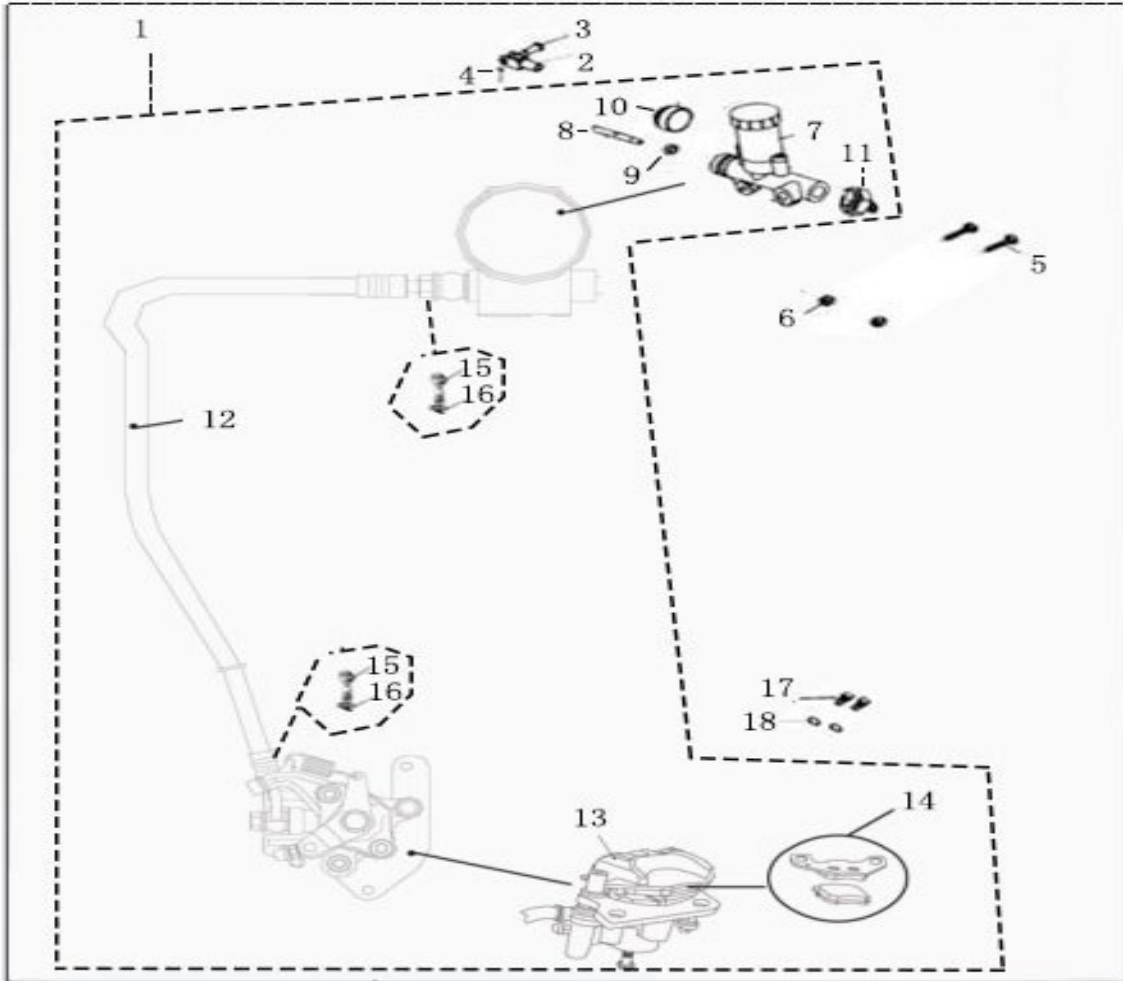
STEERING SHAFT ASSY



NO.	CODE	DESCRIPTION	QTY.
1	7010056080G000	STEERING BOLT COVER	1
2	61870600010006	LOCKING NUT M6	7
3	7020057080G000	STEERING WHEEL	1
4	2000056080G000	STEERING-SHAFT	1
5	57830601610005	GB5783 BOLT M6 x16	3
6	4020000080G000		1
7	81800501410001	GB818 BOLT M5 x14	2
8	8010079080G700	connecting pipe	1
9	7010007080G000	STEERING GEAR BUSH	2
10	8010075080G200	gear axle	1
11	6000180080G200	STEERING BALL JOINT	2
12	61710800012505	GB6170 nut m8	2
13	8010135080G000	TIE ROD	2
14	61700800012505(L)	GB6170 nut m8(L)	2
15	6000181080G000	ROD END	2
16	8000002080G000	TIE ROD ASSY	2
18	8010131080G300	STEERING GEAR	1
19	4010001080G000	Connecting device、COVER	1
20	57870602010005	GB5787 BOLT M6 x20	4

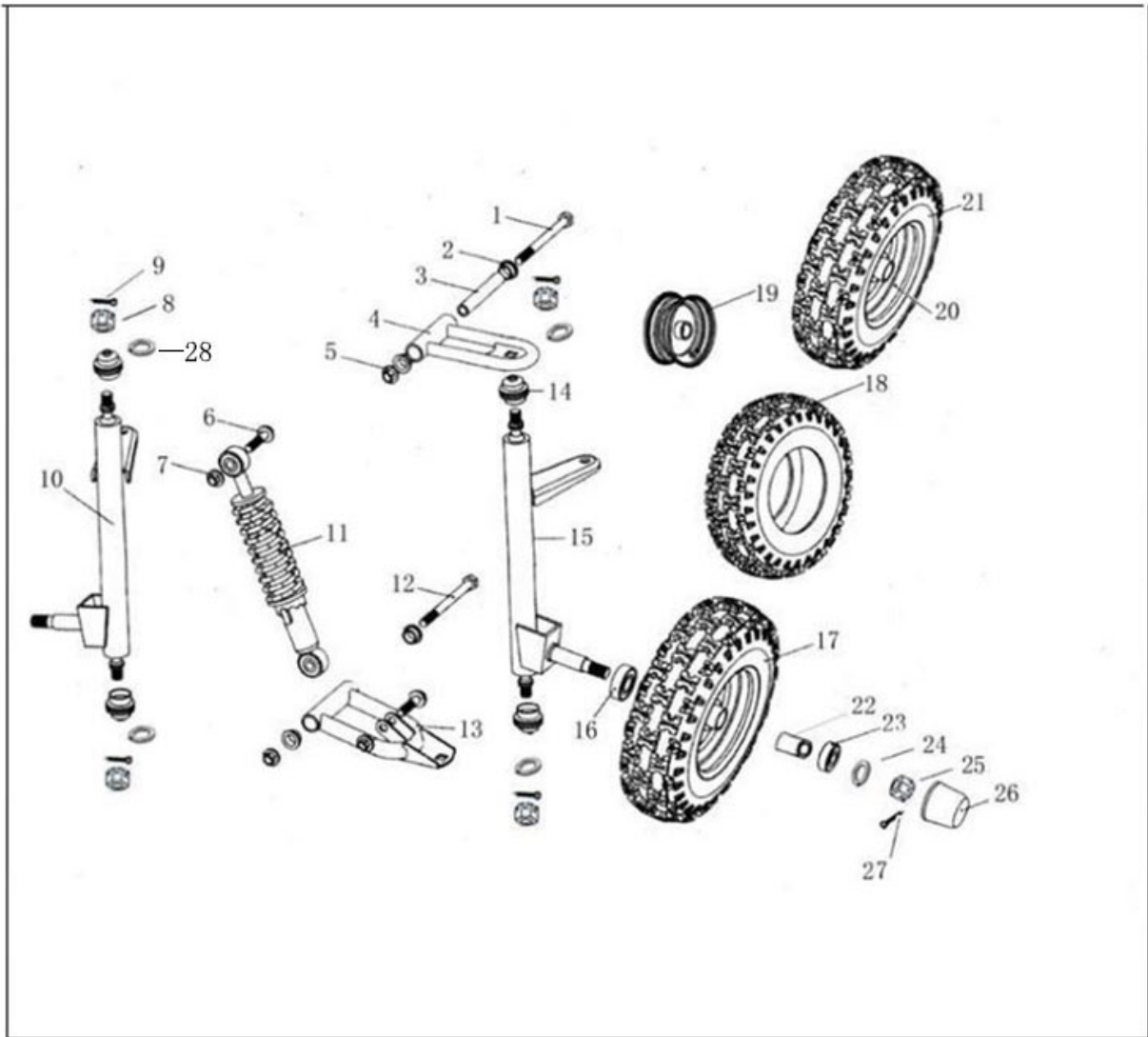
21	7020059080G000	STEERING BALL JOINT DUST COVER	2	
22	61871000012502	LOCKING NYLON NUT M10*1.25	1	
23	8020130080G000	STEERING GEAR BRACKET(R.S.B)	2	
24	61870800012505	NUT M8	2	
25	7020043080G000	BRAKE PEDAL PAD	1	
26	7020044080G000	THROTTLE PEDAL PAD	1	
27	70000801212505	GB70 BLOT M8X12	1	
28	9500218080G000	THROTTLE PEDAL COMP	1	
29	87910300160000	ROLL PIN ϕ 3 x 16	2	
30	8040010080G000	THROTTLE PEDAL RETURN SPRING,L	1	
31	8040011080G000	BRAKE PEDAL RETURN SPRING,R	1	
32	7010003250G000	PEDAL BUSH	4	
33	4000044080G000	BRALE PEDAL COMP.	1	
34	8010123080G000	PEDAL BOLT	1	
35	87910300200000	ROLL PIN ϕ 3 x 20	1	
36	57820805512505	BOLT M8X55	1	
37	7010022080G000	rubber food pedal stop	1	
38	8020209080G000	Stopping plate	1	
39	110F7602010005	M6X20 BOLT	1	
40	61770600010005	GB6177 M6 NUT	1	

BRAKE ASSY



NO.	CODE	DESCRIPTION	QTY.
1	4500000080G000	BRAKE ASSY	1
2	8020224080G000	CYIINDER ROD BRACKET	1
3	88200602800003	LOCKING ROLL PIN	1
4	GB911503000002	COTTER PIN	1
5	57890602510005	GB5789 BOLT M6X25	2
6	61870600010006	LOCKING NUT M6	2
7	6000305080G000	FR. Fluid brake pump	1
8	6000306080G000	CYIINDER ROD	1
9	61700600010001	GB6170 NUT M6	1
10	7020076080G000	DUST COVER	1
11	6000063250G000	brake switch	1
12	6000010080G000	BRAKE HOSE ASSY	1
13	6000028250G000	RR. Fluid brake pump.	1
14	7020016250G001	REAR CALIPER BRAKE PAD	1
15	9700004080G000	bolt M10X24	2
16	9300010080G000	washer φ10	4
17	57870801612505	BOLT M8X14	2
18	93000800000005	SPRING WASHER φ8	2

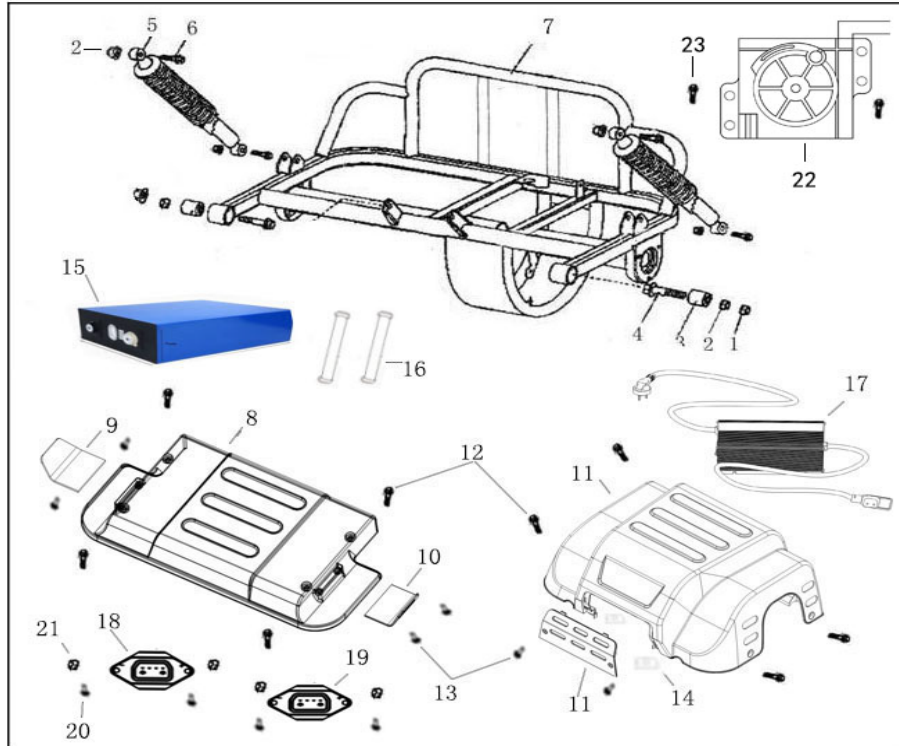
SUSPENSION ARM ASSY



NO.	CODE	DESCRIPTION	QTY.
1	57890810512505	GB5789 BOLOT M8 x 105	2
2	7010003250G000	UPPER SUSPENSION ARM BUSH	8
3	8010015250G000	UPPER SUSPENSION ARM COLLAR	2
4	4000047080G000	UPPER SUSPENSION ARM	2
5	61870800012505	GB6187 LOCKING FLANGE UNT.M8	4
6	57891004012505	GB5789 FLANGE BOLT M10 x 40x1.25	4
7	61871000012505	GB6187 LOCKING FLANGE M10X1.25	4
8	94571000012505	GB9457 NUT M10*1.25	4
9	GB912503000002	COTTER PIN φ2.5X30	6
10	2000057080G000	SPINDLE AND STRUT SUPPORT,L	1
11	6100325080G000	CUSHION ASS Y.FR	2
12	9708149250G000	FLANGE BOLT M8x1.25x149	2
13	4000041080G000	LOWER SUSPENSION ARM ASS Y	2
14	7020061080G000	BALL HEAD DUST SEAL	4
15	2000055080G000	SPINDLE AND STRUT SUPPORT,R	1
16	62022RS0000000	BEARING 6202	2

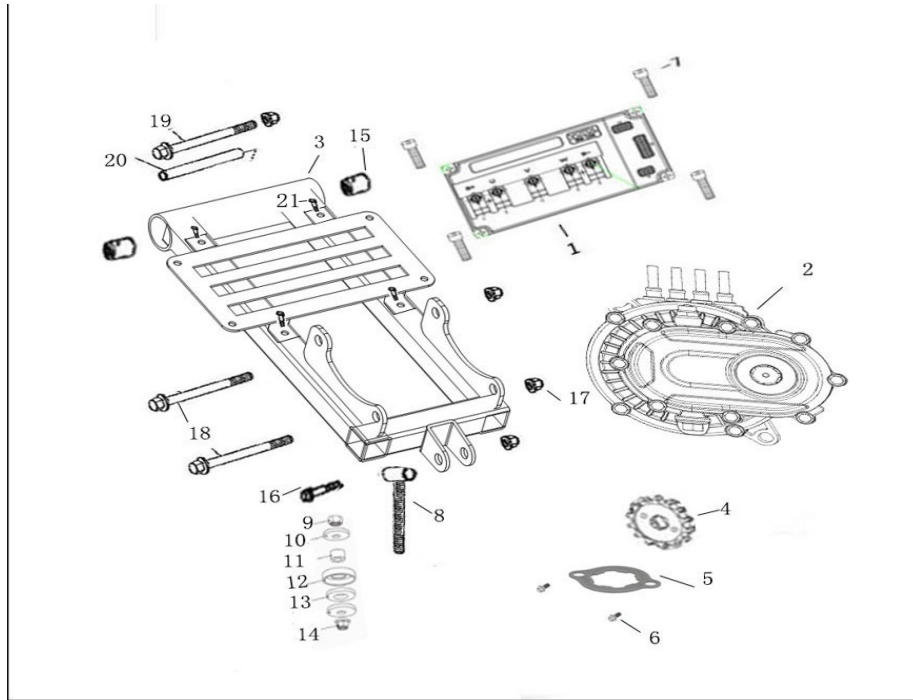
17	6000309080G000	FRONT WHEEL ASS Y.L.	1	
18	6100311080G000	TIRE,FR 16X6-8	2	
19	6100310080G000	RIM,FR	2	
20	7190018080G000	Air valve	2	
21	6100321080G000	FRONT WHEEL ASSY.R.	1	
22	8010084080G300	Collar	2	
23	62012RS0000000	BEARING 6201	2	
24	97001200000005	WASHER 12	2	
25	94571200012505	NUT M12	2	
26	7020039250G000	HUB COVER FR	2	
27	GB912503000002	COTTER PIN 2.5X30	2	
28	97001000000005	WASHER 10	4	

REAR SWING ARM



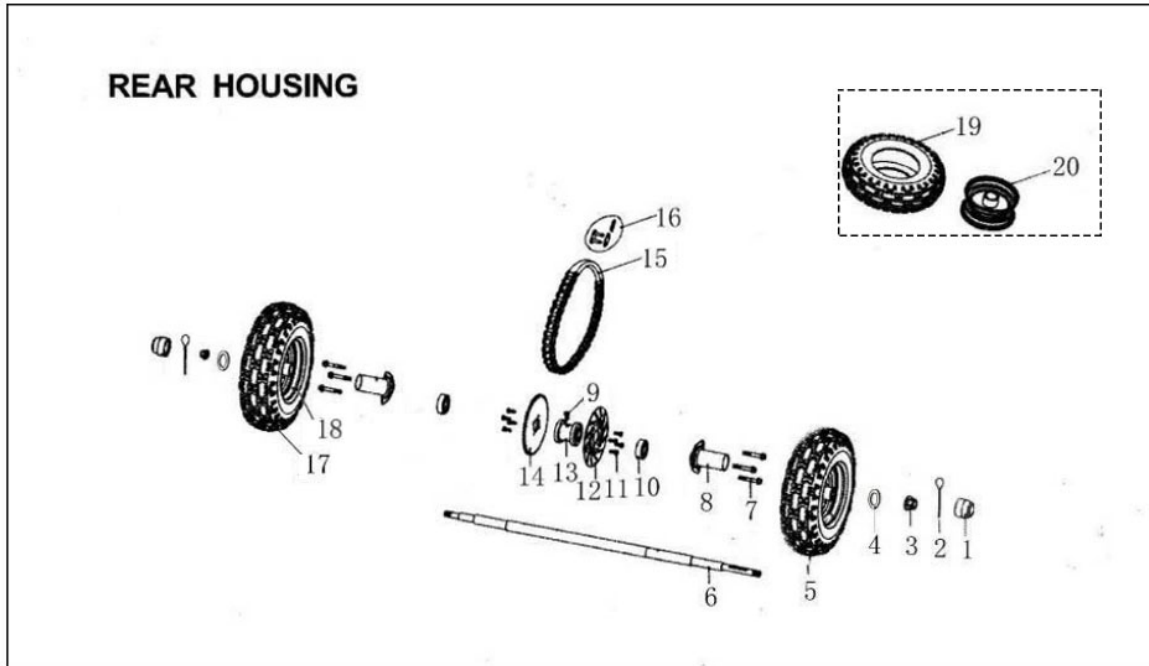
NO.	CODE	DESCRIPTION	QTY
1	61871000012505	LOCKING NUT M10X1.25	6
2	61701000012505	NUT M10X1.25	2
3	7020077080G000	BUSHING, SWING ARM ISOLATOR	2
4	57891006812505	FLANGE LOCKING M10X1.25X68	2
5	6000322080G000	CUSHION ASSY. RR.	2
6	57891004012505	FLANGE LOCKING BOLT M10X1.25X40	4
7	4000045080G002M	REAR SWING ARM	1
8	6502410080G000	battery cover	1
9	6502110080G000	L trim pane	1
10	6502110080G000	R trim pane	1
11	7010029080G000	cover plate	1
12	57890601612505	BOLT M10X1.25X40	8
13	28234201300005	BOLT ST4.2X13	6
14	96706000000005	CARD	2
15	6000107080G000	BATTERY 48V30A	1
16	7020023250G000	BATTERY STRAP	1
17	1211120080G000	charger	1
18	1211131080G000	Charging seat	1
19	1211142080G000	Discharge seat	1
20	81800401612505	BOLT M4*16	4
21	61770400012505	NUT M4	4
22	4060000080G000		1
23	81800501612505	BOLT M5*16	2

ELECTRIC MOTOR/CONTROLLER ASSY



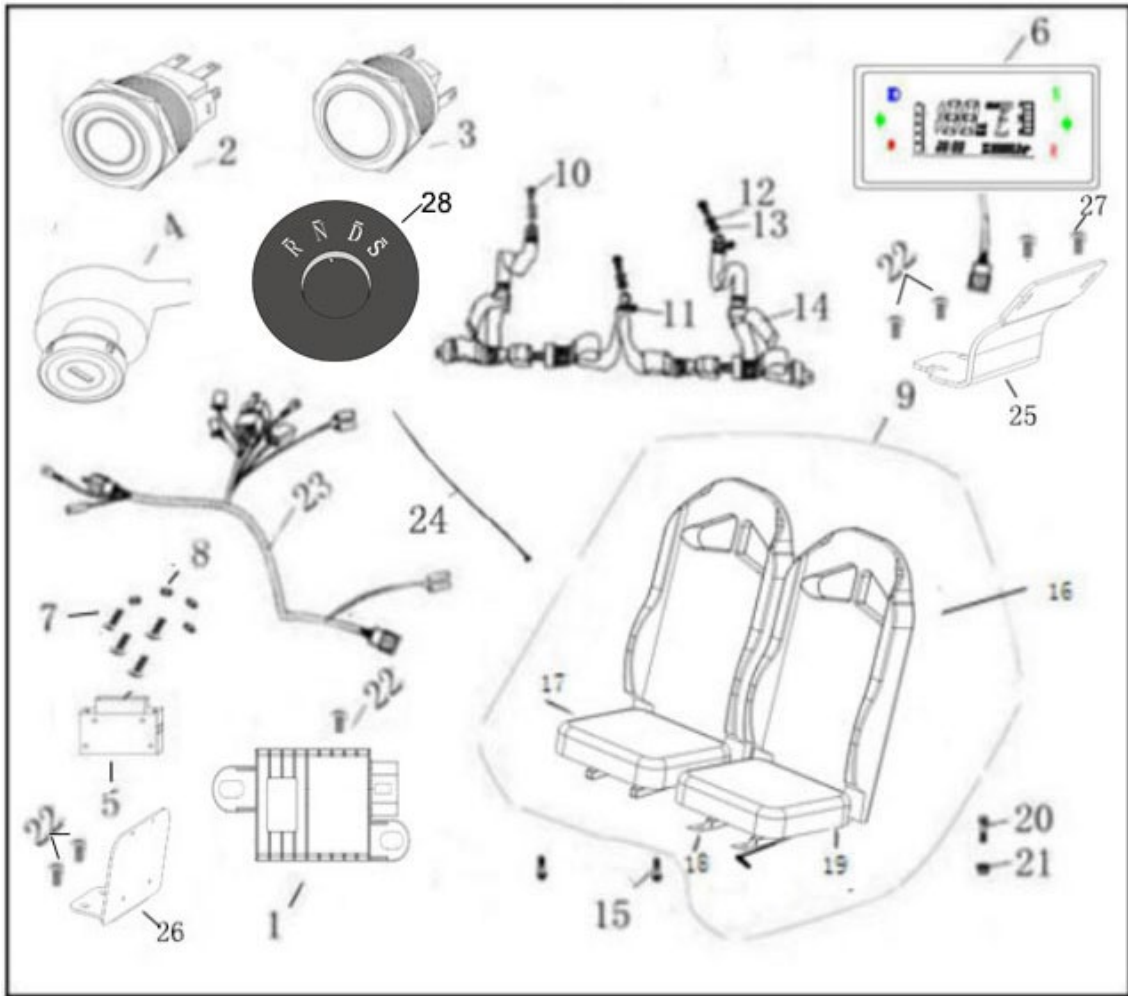
NO.	CODE	DESCRIPTION	QTY.
1	8101000080G000	CONTROLLER	1
2	1000100080G000	ELECTRICAL MOTOR	1
3	2000031080G002M	Motor fixed	1
4	8010021080G000	Small chain wheel	1
5	8009110080G000	locking plate	1
6	57830601212505	BOLT M6*12	2
7	70000602512505	BOLT M6*25	4
8	8147008080G100	CHAIN ADJUSTER	1
9	61701200012505	NUT M12X1.25	1
10	8010042250G000	WASHER-CHAIN ADJUSTER(φ12Xφ35X6)	2
11	8010041080G000	BUSHING-CHAIN ADJUSTER	1
12	8020045080G000	BOTTOM CAP WASHER-CHAIN ADJUSTER	1
13	7020001080G000	CAPWASHER-CHAIN ADJUSTER	1
14	61871200012505	NUT M12X1.25	1
15	7020077080G000	BUSHING	2
16	57891004012505	BOLT M10X1.25X40	1
17	61871000012505	LOCKING NUT M10X1.25	4
18	57891012512505	BOLT M10X1.25X125	2
19	57891018012505	BOLT M10X1.25X180	1
20	8146066080G000	SPANNER	1
21	57890601412505	BOLT 6*14	4

REAR HOUSING



NO.	CODE	DESCRIPTION	QTY.
1	7020039250G000	HUB COVER,RR	2
2	GB913003000002	COTTER PIN 3x30	2
3	94571600015005	CASTLE NUT M16	2
4	95001600000005	GB96 WASHER Φ16	2
5	6000315080G000	REAR WHEEL ASSY R.	1
6	8010199080G000	REAR AXLE	1
7	57890801612505	FLANGE BOLT M8 x1.25x16	6
8	6000196080G000	AXLE COVER	2
9	9110025080G000	BOLT M10x1.25x25	1
10	60052RS0000000	BEARING,6005	2
11	70000802012505	FLANGE BOLT M8x20	8
12	8010201080G000	DISC BRAKE,RR	1
13	8010202080G000	REAR AXLE HUB	1
14	8010010080G000	REAR SPROCKET	1
15	4280643080G000	DRIVE CHAIN	1
16	6000324080G000	MASTER LINK	1
17	6000316080G000	REAR WHEEL ASS Y.L	1
18	7190018080G000	Air valve	2
19	6100333080G000	RIM,RR	2
20	7020078080G000	REAR TIRE 16x7-8	2

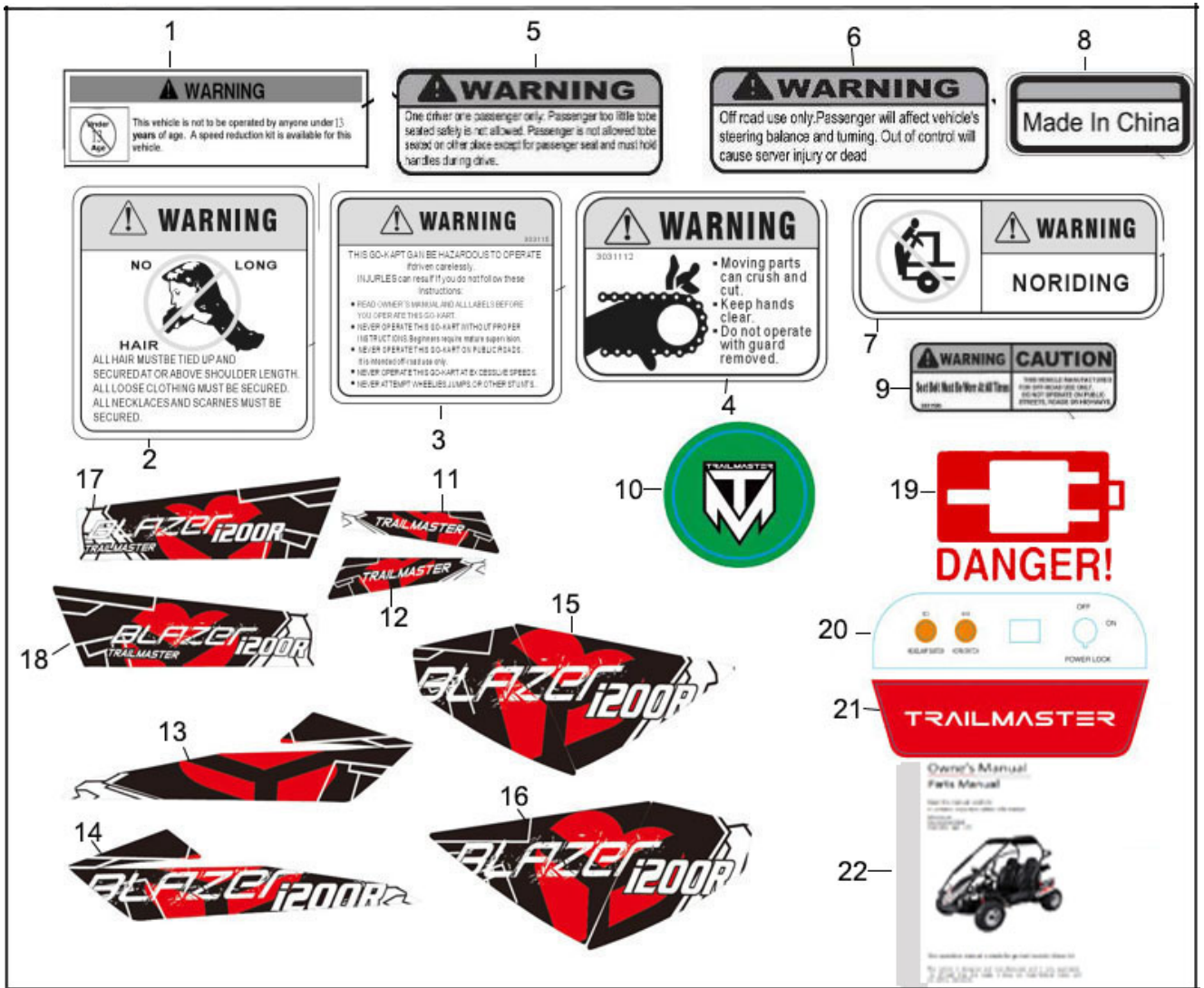
WIRE HARNESS/ELECTRICAL/SEAT/ENGINE



NO.	CODE	DESCRIPTION	QTY.
1	8002900080G000	CONVERTER	1
2	6000160080G000	ENGINE STOP BUTTON	1
3	6000144080G000	HORN BUTTON	1
4	6000165080G002	POWER ON SWITCH	1
5	8020218080G000	CIRCUIT BREAKER	4
6	4000040080G000	SPEEDOMETER	1
7	81800302510001	SCREW 818 M3X25	4
8	61700300010002	NUT 6170 M8	4
9	5100000080G002	SEAT ASSY	1
10	9700001250G000	SPECIAL BOLT M7/16 X28	3
11	9700003250G000	BELT NUT M7/16	3
12	93001200000001	LOCKING WASHER	3
13	9700002250G000	BELT WASHER 12	3
14	6000179050G0B0	SAFETY BELT	1
15	57870804012505	BOLT STRAP M8X1.25X40	2
16	5100000080G0021	seat back	2
17	6000330080G001	SEAT COMP.R	1

18	6000057080G000	SEAT RAIL SET	1	
19	6000331080G001	SEAT COMP.L	1	
20	37000804512503	BOLT STRAP M8X1.25X45	2	
21	61770800012505	FLANGE NUT M8	2	
22	57890601412505	bolt M6X14	5	
23	6000335080G000	WIRE HARNESS	1	
24	12111208034	RIBBIN 200mm	15	
25	5800143080G000M	SPEEDOMETER BRACKET	1	
26	8020239080G000M	CIRCUIT BREAKER BRACKET	1	
27	90740501212505	bolt M5X12	2	
28	6000270080G000	Shift rotation switch	1	

WARNING STICKERS ASSY



NO.	CODE	DESCRIPTION	QTY.
1	9072100080G000	AGE WARNING STICKER	1
2	9072100050G000	LONG HAIR WARNING STICKER	1
3	9072200050G000	WARNING STICKER	1
4	9072300050G000	CHAIN WARNING STICKER	1
5	9072400050G000	WARNING STICKER	1
6	9072500050G000	WARNING STICKER	1
7	9072700050G000	WARNING STICKER	1
8	9072900050G000	MADE IN CHINA STICKER	1
9	9073000050G000	SEAT BELT STICKER	1
10	9070411080G012	TRAILMASTER LOGO STICKER	1
11	9070411080G010	REAR LEFT FENDER STICKER 1	1
12	9070411080G011	REAR RIGHT FENDER STICKER 1	1
13	9070411080G001	FRONT LEFT FENDER STICKER	1
14	9070411080G002	FRONT RIGHT FENDER STICKER	1
15	9070411080G008	REAR LEFT FENDER STICKER 2	1
16	9070411080G009	REAR RIGHT FENDER STICKER 2	1

17	9070411080G003	SIDE PANEL STICKER LEFT	1	
18	9070411080G004	SIDE PANEL STICKER RIGHT	1	
19	9070411080G007	CHARGING WARNING STICKER	1	
20	9070411080G005	DASH STICKER	1	
21	9070411080G006	BATTERY COVER STICKER	1	
22	9077100080G0A3	MANUAL	1	