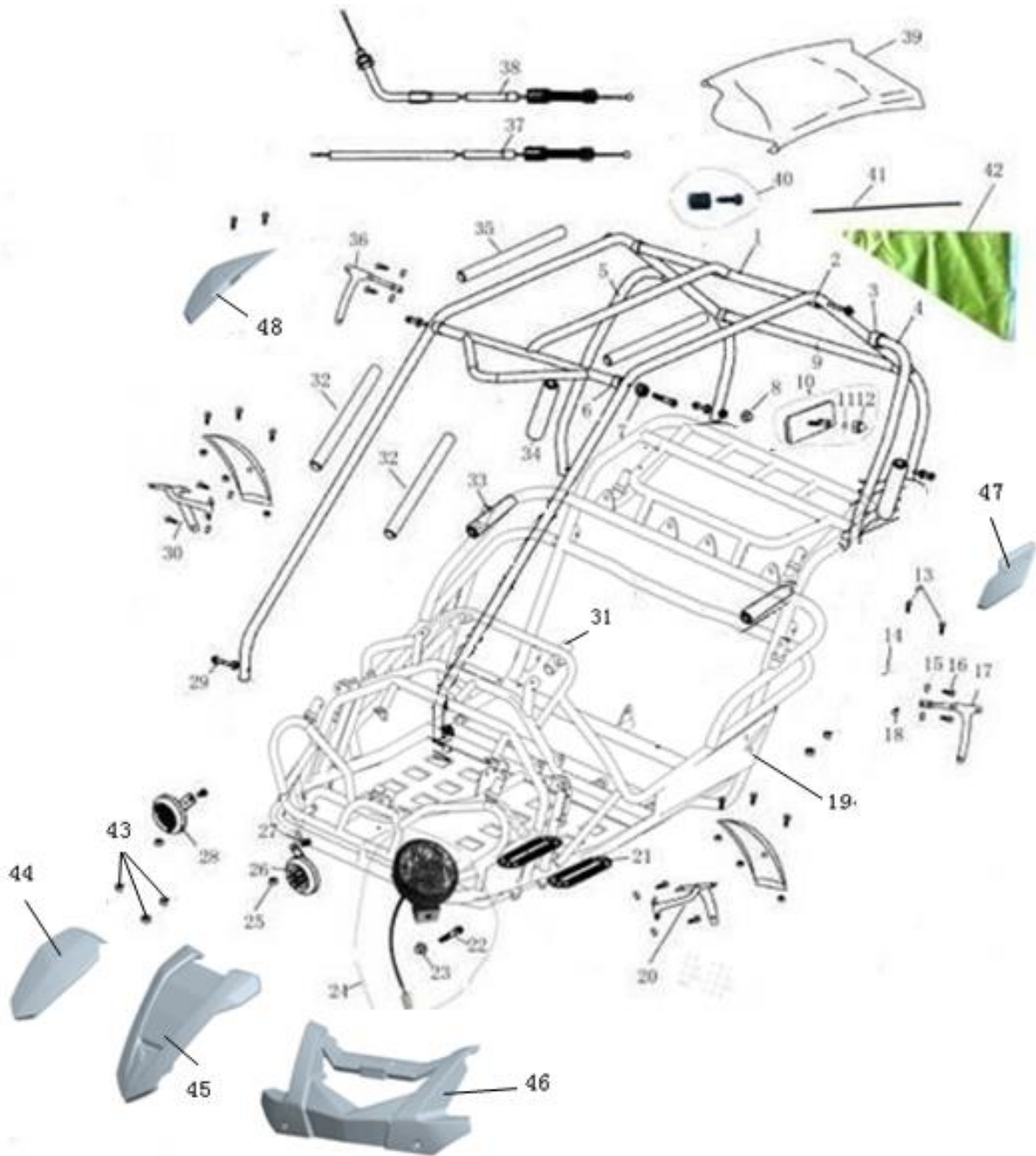




TRAILMASTER GO-KART BLAZER 200R PARTS MANUAL

(FRAME PARTS ONLY, ENGINE PARTS ARE SAME AS MID XRX ENGINE PARTS)

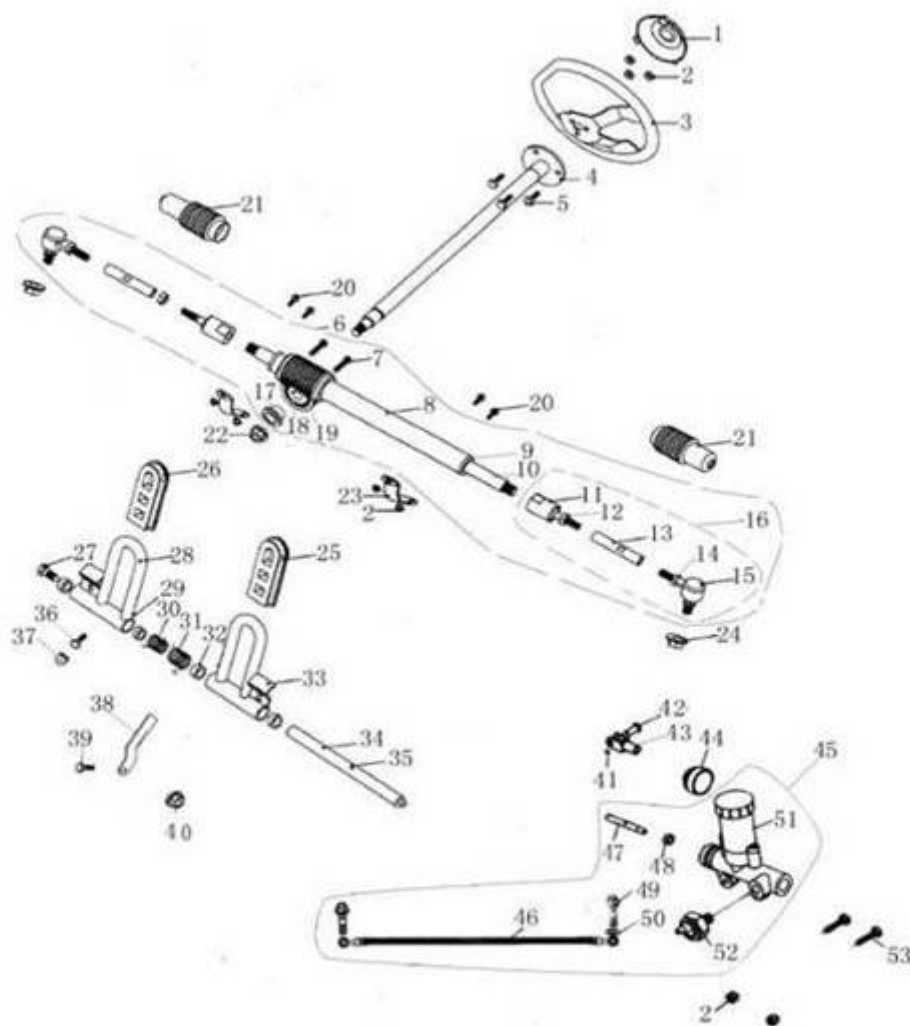
FIG 17 FRAME GROUP



| NO. | PART # | DESCRIPTION | QTY. | |
|-----|----------------|---|------|--|
| 1 | 6060300080G000 | C.B.C.CUSTOM CROSS BARTOP.FR (R.S.B) | 1 | |
| 2 | 8070054080G000 | C.B.C.BARCAGE.(R.S.B) | 2 | |
| 3 | 7110018080G000 | TUBE SEAT \varnothing 28 | 2 | |
| 4 | 8070055080G000 | C.B.C.CUSTOM J-BAR.LSIDE(R.S.B) | 1 | |
| 5 | 8070056080G000 | C.B.C.CUSTOM J-BAR.RSIDE(R.S.B) | 1 | |
| 6 | 7010017250G000 | TUBE SEAT \varnothing 25 | 6 | |

| | | | | |
|----|----------------|---|----|--|
| 7 | 8010047250G000 | R- WASHER | 20 | |
| 8 | 61870800012505 | GB6187 NUT M8 | 6 | |
| 9 | 8080078080G000 | C.B.C.CUSTOM CROSS BARTOP.RR (R.S.B) | 1 | |
| 10 | 8006000300K000 | REAR REFLECTOR | 1 | |
| 11 | 97000500000005 | GB97 WASHER φ5 | 1 | |
| 12 | 61700500010005 | GB6170 NUT M5 | 1 | |
| 13 | 57890601610005 | GB5789 BLOT M6X16 | 14 | |
| 14 | 6001074080G000 | FENDER | 2 | |
| 15 | 93000600000005 | GB93 SPRING WASHER φ6 | 8 | |
| 16 | 57890601410005 | GB5789 BOLT M6X14 | 8 | |
| 17 | 6132172080GH01 | REAR FENDER BRACKET.L | 1 | |
| 18 | 61870600010005 | GB6187 NUT M6 | 10 | |
| 19 | 2000054080GH05 | FRAME COMP.(R.S.B) | 1 | |
| 20 | 6131172080GH00 | FRONT FENDER BRACKET,L | 1 | |
| 21 | 7020045080G000 | RUBBER FOOLPLAIE | 4 | |
| 22 | 81800604010005 | GB818 BLOT M6X14 | 2 | |
| 23 | 61770600010005 | GB6177 NUT M6 | 2 | |
| 24 | 8110000050GB01 | HEADLAMP | 2 | |
| 25 | 61700800012505 | GB6170 NUT M8 | 2 | |
| 26 | 6000136250G000 | HORN.L | 1 | |
| 27 | 57890801612505 | GB5789 BOLT M8X16 | 2 | |
| 28 | 6000135250G000 | HORN.H | 1 | |
| 29 | 57870805012505 | GB5787 BOLT M8X50 | 14 | |
| 30 | 6130172080GH00 | FRONT FENDER BRACKET,R | 1 | |
| 31 | 7010006150G000 | STEERINGSHAFT BUSH | 1 | |
| 32 | 7020111080G000 | FOAM PADDING-3 | 2 | |
| 33 | 6000189080G000 | FOAM RADDING-1 | 2 | |
| 34 | 6100319080G000 | FOAM RADDING-4 | 2 | |
| 35 | 6000319080G000 | FOAM RADDING-2 | 2 | |
| 36 | 6133172080GH01 | REAR FENDER BRACKET,R | 1 | |
| 37 | 6000317080G000 | THROTTLE CABLE COMP. | 1 | |
| 38 | 6130134080G000 | CHOKE CABLE COMP | 1 | |
| 39 | 6000320080G006 | BIKINI TOP | 1 | |
| 40 | 0001000250G000 | FLAGPOLE HOLDER | 1 | |
| 41 | 0000100250G000 | FLAGPOLE | 1 | |
| 42 | 0000200250G000 | FLAG | 1 | |
| 43 | 94000000600005 | NUT M6 | 3 | |
| 44 | 6502000080G000 | PLASTIC BODY 1 | 1 | |
| 45 | 6501000080G000 | PLASTIC BODY 2 | 1 | |
| 46 | 6503000080G000 | PLASTIC BUMPER | 1 | |
| 47 | 6504000080G000 | LEFT REAR FENDER | 1 | |
| 48 | 6505000080G000 | RIGHT REAR FENDER | 1 | |

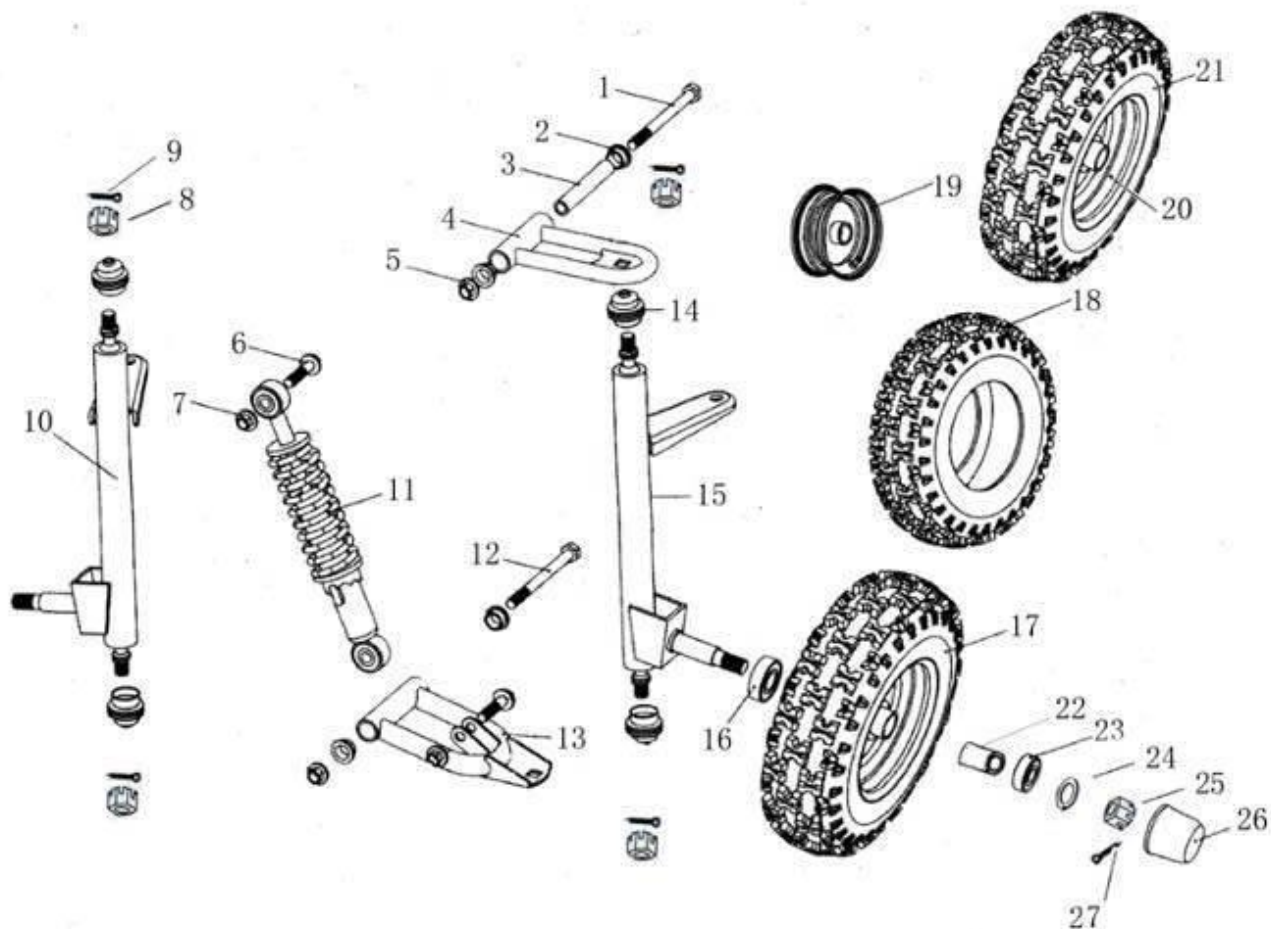
FIG 18: STEERING SHAFT ASSY



| NO. | PART # | DESCRIPTION | QTY. |
|-----|----------------|---------------------|------|
| 1 | 7010056080G000 | STEERING BOLT COVER | 1 |
| 2 | 61870600010006 | LOCKING NUT M6 | 9 |
| 3 | 7020057080G000 | STEERING WHEEL | 1 |
| 4 | 2000056080G000 | STEERING-SHAFT | 1 |
| 5 | 57830601610005 | GB5783 BOLT M6 X16 | 3 |
| 6 | 4020000080G000 | STEERING ASSY. | 1 |
| 7 | 81800501410001 | GB818 BOLT M5 X12 | 2 |
| 8 | 8010079080G700 | CONNECTING PIPE | 1 |
| 9 | 7010007080G000 | STEERING GEAR BUSH | 2 |
| 10 | 8010075080G200 | GEAR AXLE | 1 |
| 11 | 6000180080G200 | STEERING BALL JOINT | 2 |
| 12 | 61710800012505 | GB6170 NUT M8 | 2 |
| 13 | 8010135080G000 | TIE ROD | 2 |

| | | | | |
|----|-------------------|-----------------------------------|---|--|
| 14 | 61700800012505(L) | GB6170 NUT M8(L) | 2 | |
| 15 | 6000181080G000 | ROD END | 2 | |
| 16 | 8000002080G000 | TIE ROD ASSY | 2 | |
| 18 | 8010131080G300 | STEERING GEAR | 1 | |
| 19 | 4010001080G000 | CONNECTING DEVICE, COVER | 1 | |
| 20 | 57870602010005 | GB5787 BOLT M6 X20 | 4 | |
| 21 | 7020059080G000 | STEERING BALL JOINT DUST COVER | 2 | |
| 22 | 61871000012502 | LOCKING NYLON NUT M10*1.25 | 1 | |
| 23 | 8020130080G000 | STEERING GEAR BRACKET (R.S.B) | 2 | |
| 24 | 61870800012505 | NUT M8 | 2 | |
| 25 | 7020043080G000 | BRAKE PEDAL PAD | 1 | |
| 26 | 7020044080G000 | THROTTLE PEDAL PAD | 1 | |
| 27 | 70000801212505 | GB70 BLOT M8X12 | 1 | |
| 28 | 9500218080G000 | THROTTLE PEDAL COMP | 1 | |
| 29 | 87910300160000 | ROLL PIN ϕ 3 X 16 | 2 | |
| 30 | 8040010080G000 | THROTTLE PEDAL RETURN SPRING,L | 1 | |
| 31 | 8040011080G000 | BRAKE PEDAL RETURN SPRING,R | 1 | |
| 32 | 7010003250G000 | PEDAL BUSH | 4 | |
| 33 | 4000044080G000 | BRALE PEDAL COMP. | 1 | |
| 34 | 8010123080G000 | PEDAL BOLT | 1 | |
| 35 | 87910300200000 | ROLL PIN ϕ 3 X 20 | 1 | |
| 36 | 57820806512505 | BOLT M8X65 | 1 | |
| 37 | 7010022080G000 | RUBBER FOOD PEDAL STOP | 1 | |
| 38 | 8020209080G000 | STOPPING PLATE | 1 | |
| 39 | 110F7602010005 | M6*20 BOLT | 1 | |
| 40 | 61770600010005 | GB6177 M6 NUT | 1 | |
| 41 | GB911503000002 | COTTER PIN | 1 | |
| 42 | 88200602800003 | LOCKING ROLL PIN | 1 | |
| 43 | 8020224080G000 | CYIINDER ROD BRACKET | 1 | |
| 44 | 7020076080G000 | DUST COVER | 1 | |
| 45 | 6000000080G000 | HYDRAULIC BRAKE ASSEMBLY | 1 | |
| 46 | 6000010080G000 | BRAKE HOSE ASSY | 1 | |
| 47 | 6000306080G000 | CYIINDER ROD | 1 | |
| 48 | 61700600010001 | GB6170 NUT M6 | 1 | |
| 49 | 9700004080G000 | BOLT M10X24 | 2 | |
| 50 | 9300010080G000 | WASHER ϕ 10 | 4 | |
| 51 | 6000305080G000 | MASTER CYLIND ER | 1 | |
| 52 | 6000063250G000 | BRAKE LIGHT SWITCH | 1 | |
| 53 | 57890602510005 | GB5789 BOLT M6X25 | 2 | |

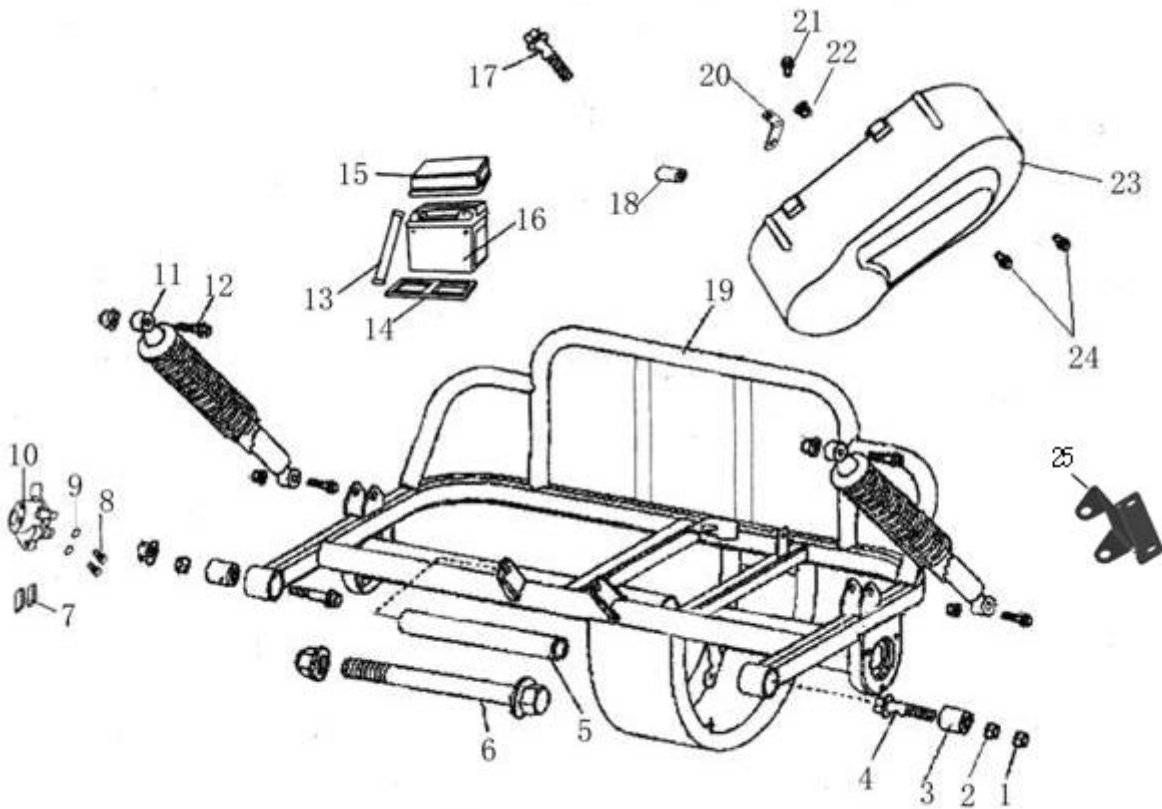
FIG 19: SUSPENSION ARM ASSY



| NO. | PART # | DESCRIPTION | QTY. |
|-----|----------------|----------------------------------|------|
| 1 | 57890810512505 | GB5789 BOLT M8 X 105 | 2 |
| 2 | 7010003250G000 | UPPER SUSPENSION ARM BUSH | 8 |
| 3 | 8010015250G000 | UPPER SUSPENSION ARM COLLAR | 2 |
| 4 | 4000047080G000 | UPPER SUSPENSION ARM | 2 |
| 5 | 61870800012505 | GB6187 LOCKING FLANGE NUT M8 | 4 |
| 6 | 57891004012505 | GB5789 FLANGE BOLT M10 X 40X1.25 | 4 |
| 7 | 61871000012505 | GB6187 LOCKING FLANGE M10X1.25 | 4 |
| 8 | 94571000012505 | GB9457 NUT M10*1.25 | 4 |
| 9 | GB912503000002 | COTTER PIN ϕ 2.5X30 | 6 |

| | | | | |
|----|----------------|-----------------------------|---|--|
| 10 | 2000057080G000 | SPINDLE AND STRUT SUPPORT,L | 1 | |
| 11 | 6100325080G000 | CUSHION ASS Y.FR | 2 | |
| 12 | 9708149250G000 | FLANGE BOLT M8X1.25X149 | 2 | |
| 13 | 4000041080G000 | LOWER SUSPENSION ARM ASS Y | 2 | |
| 14 | 7020061080G000 | BALL HEAD DUST SEAL | 4 | |
| 15 | 2000055080G000 | SPINDLE AND STRUT SUPPORT,R | 1 | |
| 16 | 62022RS0000000 | BEARING 6202 | 2 | |
| 17 | 6000309080G000 | FRONT WHEEL ASS Y.L. | 1 | |
| 18 | 6100311080G000 | TIRE,FR 16X6-8 | 2 | |
| 19 | 6100310080G000 | RIM,FR | 2 | |
| 20 | 7190018080G000 | AIR VALVE | 2 | |
| 21 | 6100321080G000 | FRONT WHEEL ASSY.R. | 1 | |
| 22 | 8010084080G300 | COLLAR | 2 | |
| 23 | 62012RS0000000 | BEARING 6201 | 2 | |
| 24 | 97001200000005 | GB97 Φ 12 WASHER | 2 | |
| 25 | 94571200012505 | NUT M12 | 2 | |
| 26 | 7020039250G000 | HUB COVER FR | 2 | |
| 27 | GB912503000002 | COTTER PIN Φ 2.5X30 | 2 | |

FIG 20: REAR SWING ARM

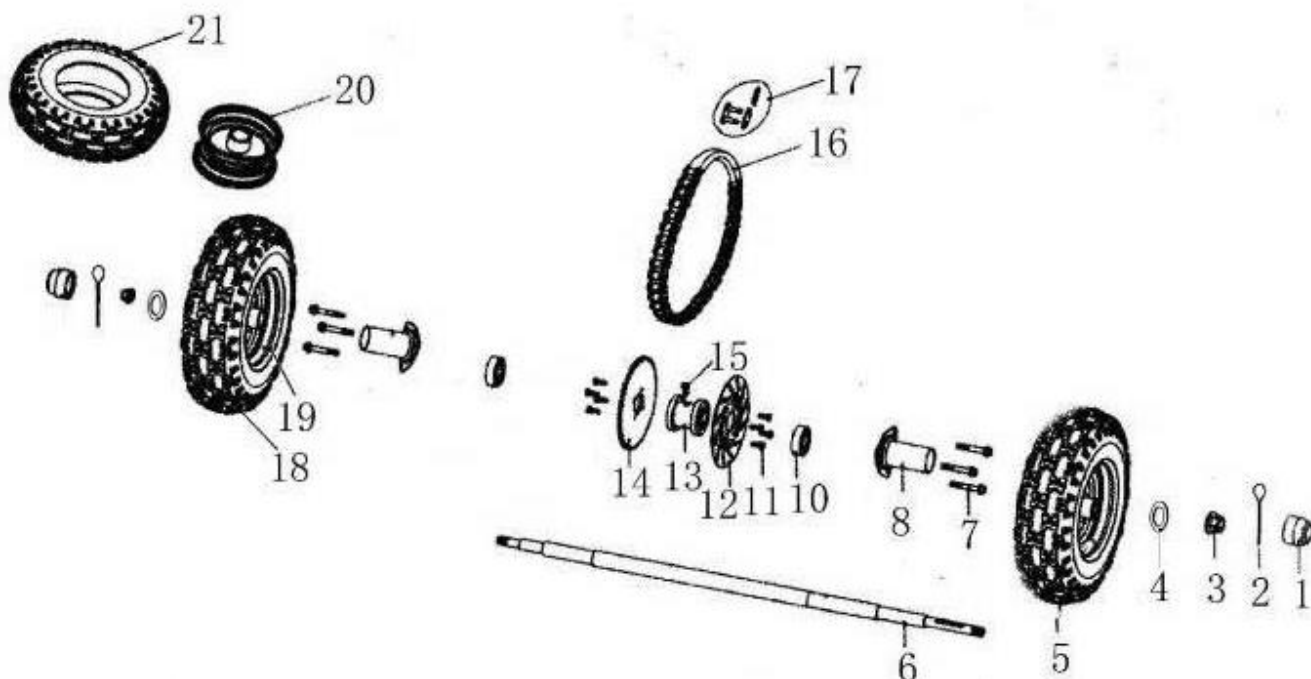


| NO. | PART # | DESCRIPTION | QTY |
|-----|----------------|------------------------------------|-----|
| 1 | 61871000012505 | LOCKING NUT M10X1.25 | 7 |
| 2 | 61701000012505 | NUT M10X1.25 | 2 |
| 3 | 7020077080G000 | BUSHING, SWING ARM ISOLATOR | 2 |
| 4 | 57891006812505 | FLANGE LOCKING M10X1.25X68 | 2 |
| 5 | 8146066080G000 | SPANNER | 1 |
| 6 | 57871018012505 | BOLT M10X1.25X180 | 1 |
| 7 | 7020016250G000 | RR. BRAKE PAD SET | 1 |
| 8 | 57870801612505 | BOLT M8X14 | 2 |
| 9 | 93000800000005 | SPRING WASHER φ8 | 2 |
| 10 | 6000028250G000 | RR. CALIPER ASSY. | 1 |
| 11 | 6000322080G000 | CUSHION ASSY. RR. | 2 |
| 12 | 57891004012505 | FLANGE LOCKING BOLT M10X1.25X40 | 4 |
| 13 | 7020023250G000 | BATTERY STRAP | 1 |
| 14 | 702002050G000 | LOWER BATTERY CUSHION | 1 |
| 15 | 7010028250G000 | BATTERY COVER | 1 |
| 16 | 6000085080G000 | BATTERY 12V 6.5AH | 1 |
| 17 | 57870805512505 | FLANGE LOCKING M8X55 | 1 |

| | | | | |
|----|----------------|------------------------------|---|--|
| 18 | 100010080G000 | DRIVE COVER PLASTIC COLLAR | 1 | |
| 19 | 4000045080G001 | REAR SWING ARM MID XRX/R | 1 | |
| 20 | 1020100080G000 | DRIVE COVER PLASTIC BRAK CET | 1 | |
| 21 | 57890602010005 | BOLT M6X20 | 1 | |
| 22 | 61870600010005 | NUT M6 | 1 | |
| 23 | 8110021080G001 | DRIVE COVER PLASTIC | 1 | |
| 24 | 57890601210005 | FLANGE LOCKING NUT M6X12 | 2 | |
| 25 | 8000001080G003 | REVERSE MOUNTING BRACKET 1 | 1 | |



FIG 21: REAR HOUSING



| NO. | PART # | DESCRIPTION | QTY. |
|-----|----------------|-------------------------|------|
| 1 | 7020039250G000 | HUB COVER,RR | 2 |
| 2 | GB913003000002 | COTTER PIN 3X40 | 2 |
| 3 | 94571600015005 | CASTLE NUT M16 | 2 |
| 4 | 96001600000005 | GB96 WASHER Φ16 | 2 |
| 5 | 6000315080G000 | REAR WHEEL ASSY R. | 1 |
| 6 | 8010199080G000 | REAR AXLE | 1 |
| 7 | 57890801612505 | FLANGE BOLT M8 X1.25X16 | 6 |
| 8 | 6000196080G000 | AXLE COVER | 2 |
| 10 | 60052RS0000000 | BEARING,6005 | 2 |
| 11 | 70000802012505 | FLANGE BOLT M8X20 | 8 |
| 12 | 8010201080G000 | DISC BRAKE,RR | 1 |
| 13 | 8010202080G000 | REAR AXLE HUB | 1 |
| 14 | 5400600080G101 | REAR SPROCKET | 1 |
| 15 | 9110025080G000 | BOLT M10X1.25X25 | 1 |
| 16 | 4200542080G000 | DRIVE CHAIN | 1 |
| 17 | 6000324080G000 | MASTER LINK | 1 |
| 18 | 6000316080G000 | REAR WHEEL ASS Y.L | 1 |
| 19 | 7190018080G000 | AIR VALVE | 2 |
| 20 | 6100333080G000 | RIM,RR | 2 |
| 21 | 7020078080G000 | REAR TIRE 16X7-8 | 2 |

FIG 22: CLUTCH ASSY

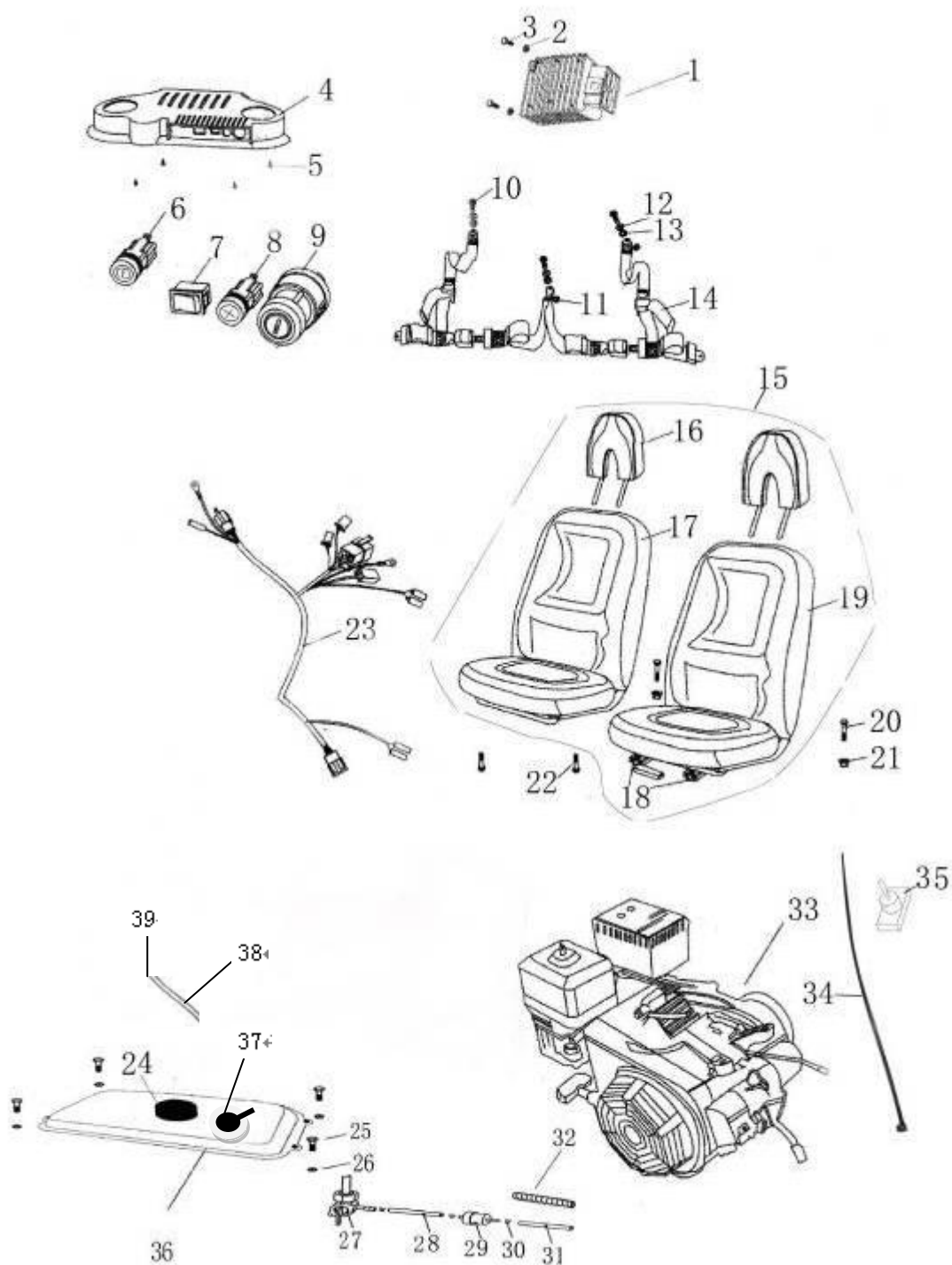


| NO. | PART # | DESCRIPTION | QTY |
|-----|----------------|----------------------------------|-----|
| 1 | 9100018080G0C0 | BELT | 1 |
| 2 | 8010027080G000 | KEY 5X5X85 | 1 |
| 3 | 8020235080G000 | DRIVEN PULLEY WASHER | 1 |
| 4 | 9500010080G000 | DRIVEN PULLEY | 1 |
| 5 | 61871600015005 | LOCKING NUT M16X1.5 | 1 |
| 6 | 57890809012505 | BOLT M8X90 | 3 |
| 7 | 57890806512505 | BOLT M8X65 | 2 |
| 8 | 61870800012505 | FLANGE LOCKING NUT M8 | 7 |
| 9 | 57890805512505 | BOLT M8X55 | 2 |
| 10 | 7020077080G000 | BUSHING | 2 |
| 11 | 8.000.001-R | ENGINE MOUNTING PLATE - METALLIC | 1 |
| 12 | 8147002080G000 | DRUM | 1 |
| 13 | 8147001080G000 | HUB | 1 |
| 14 | 8147000080G000 | SHEAVE, MOVEABLE | 1 |
| 15 | 8146099080G000 | BUSHING | 1 |

| | | | | |
|----|----------------|---|---|--|
| 16 | 8146098080G000 | SHEAVE, STATIONARY | 1 | |
| 17 | 9300008080G000 | BUSHING BOLCK | 1 | |
| 18 | 97000800000005 | WASHER $\varphi 8$ | 5 | |
| 19 | 93000800000005 | SPRING WASHER $\varphi 8$ | 5 | |
| 20 | 57870804012505 | BOLT, M8X40 | 1 | |
| 21 | 61701200012505 | NUT M12X1.25 | 1 | |
| 22 | 8010042250G000 | WASHER-CHAIN ADJUSTER($\varphi 12 \times \varphi 35 \times 6$) | 3 | |
| 23 | 8020045080G000 | BOTTOM CAP WASHER-CHAIN ADJUSTER | 1 | |
| 24 | 7020001080G000 | CAP WASHER-CHAIN ADJUSTER | 1 | |
| 25 | 8010041080G000 | BUSHING-CHAIN ADJUSTER | 1 | |
| 26 | 61871200012505 | NUT M12X1.25 | 1 | |
| 27 | 8147008080G000 | CHAIN ADJUSTER | 1 | |
| 28 | 9500001080G000 | FRONT CLUTCH 80T | 1 | |



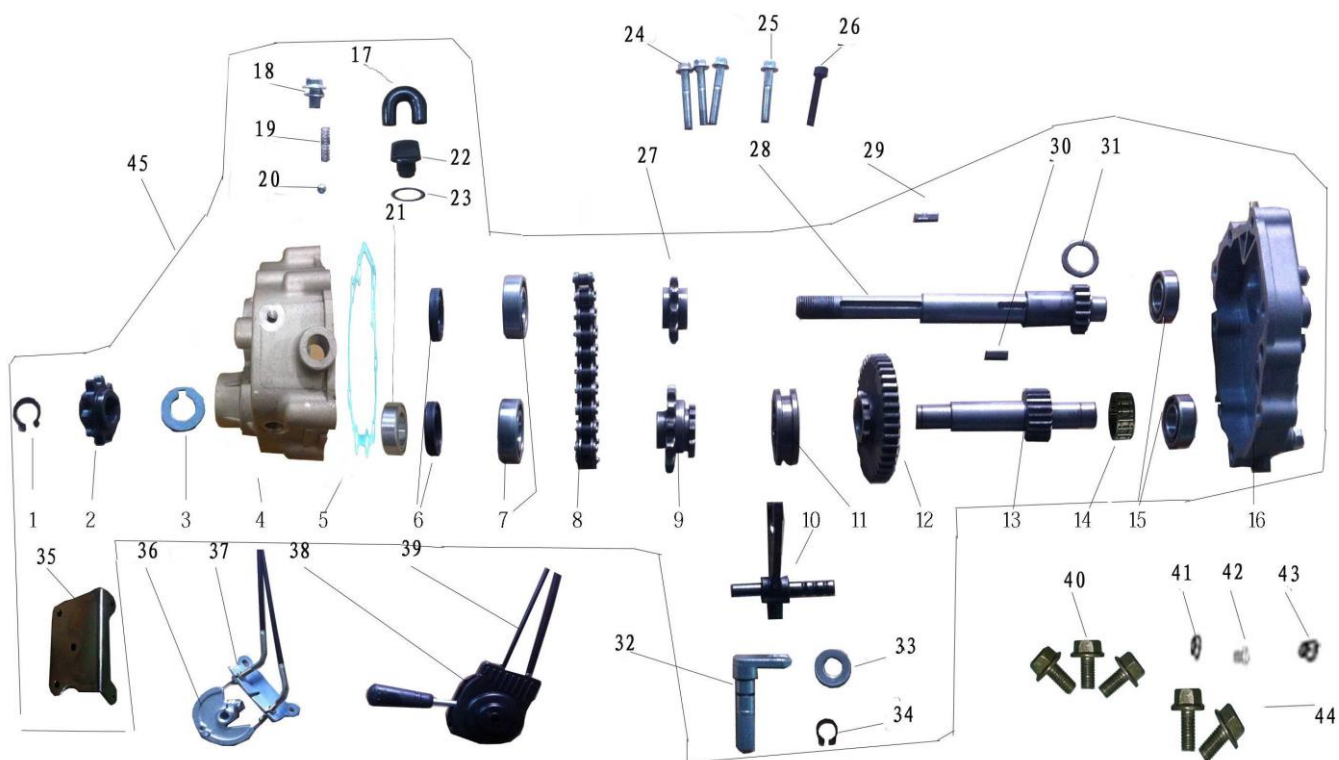
FIG 23: WIRE HARNESS/ELECTRICAL/SEAT/ENGINE



| NO. | PART # | DESCRIPTION | QTY. |
|-----|----------------|-------------------------|------|
| 1 | 6100167080G000 | RECTIFIER COMP.REGULATE | 1 |
| 2 | 61770600010005 | NUT M6 | 1 |
| 3 | 57890601610005 | BOLT M6X16 | 2 |
| 4 | 7010076080G002 | SWITCH PANEL COVER | 1 |
| 5 | 28234201300005 | BOLT ST4.2X13 | 4 |
| 7 | 6000133080G000 | HORN BUTTON | 1 |
| 8 | 6000159250G000 | ENGINE STOP BUTTON | 1 |

| | | | | |
|----|----------------|------------------------|------|--|
| 9 | 6000165080G001 | POWER ON SWITCH | 1 | |
| 10 | 9700001250G000 | SPECIAL BOLT M7/16 X28 | 3 | |
| 11 | 9700003250G000 | BELT NUT M7/16 | 3 | |
| 12 | 93001200000001 | LOCKING WASHER | 3 | |
| 13 | 9700002250G000 | BELT WASHER 12 | 3 | |
| 14 | 6000328080G000 | SAFETY BELT | 1 | |
| 17 | 6000330080G001 | SEAT COMP.R | 1 | |
| 18 | 6000057080G000 | SEAT RALL SET | 1 | |
| 19 | 6000331080G001 | SEAT COMP.L | 1 | |
| 20 | 37000804512503 | BOLT STRAP M8X1.25X45 | 2 | |
| 21 | 61770800012505 | FLANGE NUT M8 | 2 | |
| 22 | 57870804012505 | BOLT STRAP M8X1.25X40 | 2 | |
| 23 | 6000188080G0A1 | WIRE HARNESS | 1 | |
| 24 | 6000145080G0A0 | FUEL FILLER CAP COMP | 1 | |
| 25 | 57890603210005 | FLANGE BOLT, M6x32 | 4 | |
| 26 | 61870600012505 | NYLON NUT M6 | 4 | |
| 27 | 6000046250G000 | FUEL COCK ASS'Y | 1 | |
| 28 | 7020029050G000 | FUEL TUBE, #2 | 1 | |
| 29 | 6000056250G000 | FILTER | 1 | |
| 30 | 621A0800000000 | FUEL TUBE CLIP | 4 | |
| 31 | 7020030050G000 | FUEL TUBE, #1 | 1 | |
| 32 | 5002100050G000 | TUBING SPRING | 1 | |
| 33 | JF168FLH-8CC | ENGINE COMP. | 1 | |
| 34 | 12111208034 | RIBBIN 200MM | 15 | |
| 35 | 8120000080GA00 | SWITCH OF HEADLIGHT | 1 | |
| 36 | 4000019080GH01 | FUEL TANK COMP | 1 | |
| 37 | 27280121001000 | OVERFLOW VALVE | 1 | |
| 38 | 7020031050G000 | FUEL PIPE | 0.9M | |
| 39 | 621A0900000000 | FUEL TUBE CLIP | 2 | |

FIG 24: REVERSE GEAR



| NO. | PART # | DESCRIPTION | QTY. |
|-----|----------------|----------------------------|------|
| 1 | 8941160000003 | SNAP RING $\varnothing 16$ | 1 |
| 2 | 5400600080L00 | 10T DRIVEN SPROCKET | 1 |
| 3 | 8020235080G00 | REAR CLUTCH WASHER | 1 |
| 4 | 1000001280G00 | REVERSE GEAR BOX LEFT | 1 |
| 5 | 1000001180G00 | LEFT GASKET | 1 |
| 6 | YF02503507500 | OIL SEAL 20X35X7.5 | 2 |
| 7 | 6004Z00000000 | BEARING 6004Z | 2 |
| 8 | 420010Z080G00 | DRIVE CHAIN,10T,420 | 1 |
| 9 | 1000001480G00 | DRIVE SPROCKET,13T | 1 |
| 10 | 1000001680G00 | SHIFT FORK | 1 |
| 11 | 1000001780G00 | SLIDE BUSHING | 1 |
| 12 | 1000001980G00 | DRIVEN SHAFT | 1 |
| 13 | 1000001880G00 | DRIVEN GEAR | 1 |
| 14 | K1822160000000 | NEEDLE BEARING 18*22*16 | 1 |
| 15 | 6003000000000 | BEARING 6003 | 2 |
| 16 | 1000001380G00 | REVERSE GEAR BOX RIGHT | 1 |
| 17 | 1000002880G00 | VENT CAP | 1 |
| 18 | 57870801212502 | BOLT M8*12 W/ WASHER | 2 |
| 19 | 1000002080G00 | FORK SPRING | 1 |

| | | | |
|----|-------------------------------------|--|---|
| 20 | 1000002180G000 | STEEL BALL ø6 | 1 |
| 21 | 61804000000000 | BEARING 61804 | 1 |
| 22 | 1000002980G000 | SEAL CAP | 1 |
| 23 | 1000003080G000 | SEAL RING | 1 |
| 24 | 57870604012502 | BOLT M6*40 | 3 |
| 25 | 57870603512502 | BOLT M6*35 | 1 |
| 26 | GB700603512503 | SCREW M6*35 | 1 |
| 27 | 1000001580G000 | DRIVE SPROCKET,10T | 1 |
| 28 | 1000002280G000 | DRIVING SHAFT | 1 |
| 29 | 1000002380G000 | KEY 5X5X16 | 1 |
| 30 | 1000002480G000 | KEY 5X5X14 | 1 |
| 31 | 1000002580G000 | SPACER ø18* ø25*2 | 1 |
| 32 | 1000002680G000 | GEAR SHAFT | 1 |
| 33 | 97000800000002 | WASHER ø 12 | 1 |
| 34 | 89411200000003 | SNAP RING ø12 | 1 |
| 35 | 1000002780G000 | BRACKET | 1 |
| 36 | 4000200300G200 | TURNING WHEEL | 1 |
| 37 | 4000100300G200 | TURNING WHEEL BRACKET | 1 |
| 38 | 4070000300G000 | REVERSE GEAR SHIFTER ASSY. | 1 |
| 39 | 6013000080G000 | REVERSE GEAR WIRE | 2 |
| 40 | 57890601210005 | BOLT M6*12 | 3 |
| 41 | 61770600010005 | GB6177 NUT M6 | 2 |
| 42 | 57870802012505 | HEXAGON FLANGE BOLTS M8*20 | 1 |
| 43 | 61870800012505 | SELF-LOCKING NUT M8 | 1 |
| 44 | 57890601610005 | BOLT M6*16 | 2 |
| 45 | 1000001080G000 (MID Reverse Box) | REVERSE GEARBOX ASSY. (W/ BRACKET & SPROCKET) | 1 |



FIG 25 WARNING STICKERS SET





17

18

19

20

| NO. | PART # | DESCRIPTION | QTY. | |
|-----|-----------------|----------------------|------|--|
| 1 | 9072100080G000 | WARNING LABEL 1 | 1 | |
| 2 | 9072100050G000 | WARNING LABEL 1 | 1 | |
| 3 | 9072200050G000 | WARNING LABEL 1 | 1 | |
| 4 | 9072300050G000 | WARNING LABEL 1 | 1 | |
| 5 | 9072400050G000 | WARNING LABEL 1 | 1 | |
| 6 | 9072500050G000 | WARNING LABEL 1 | 1 | |
| 7 | 9072700050G000 | WARNING LABEL 1 | 1 | |
| 8 | 9072900050G000 | WARNING LABEL 1 | 1 | |
| 9 | 9073000050G000 | WARNING LABEL 1 | 1 | |
| 10 | 9073100050G000 | WARNING LABEL 1 | 1 | |
| 11 | 9070100050G0B0 | TRAILMASTER LOGO | 1 | |
| 12 | 9072600150G0000 | PARKING BRAKE | 1 | |
| 13 | 9072005080G000 | LEFT STICKER | 1 | |
| 14 | 9072006080G000 | RIGHT STICKER | 1 | |
| 15 | 9072007080G001 | FENDER STICKER LEFT | 1 | |
| 16 | 9072008080G001 | FENDER STICKER RIGHT | 1 | |
| 17 | 9072009080G000 | MODEL LEFT | 1 | |
| 18 | 9072010080G000 | MODEL RIGHT | 1 | |
| 19 | 9072011080G001 | SIDE STICKER LEFT | 1 | |
| 20 | 9072012080G001 | SIDE STICKER RIGHT | 1 | |
| 21 | 9077100080G0A0 | MANUAL | 1 | |

Note: part # in red means new parts for BLAZER 200R or/and MID XRX/R.