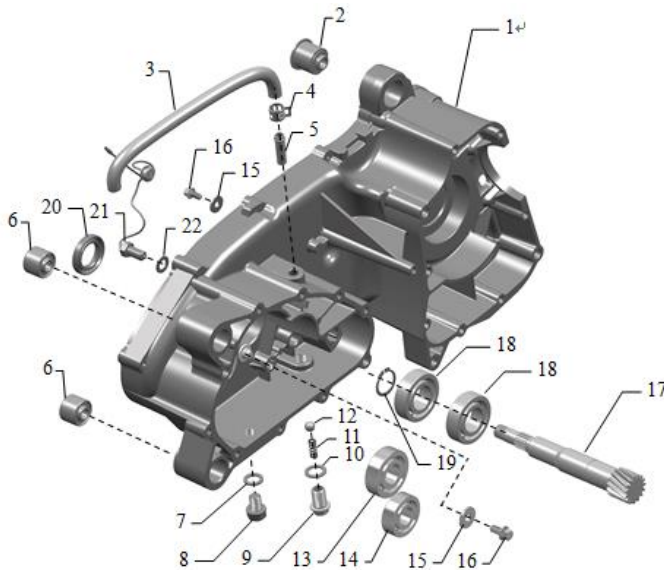




***TrailMaster* GO-KART
300 XRS PARTS MANUAL**

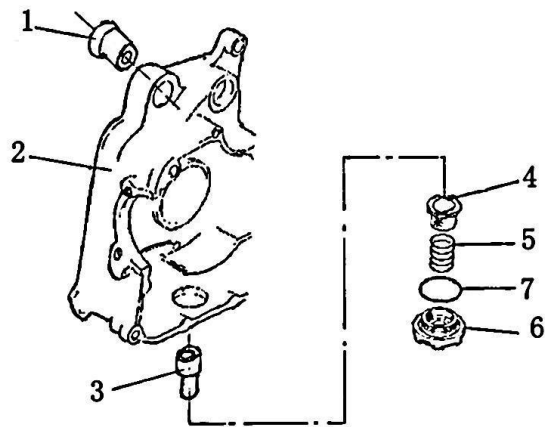
Version: 1.1 (5/24/2017)

FIG. 1 LEFT CRANKCASE COMP.



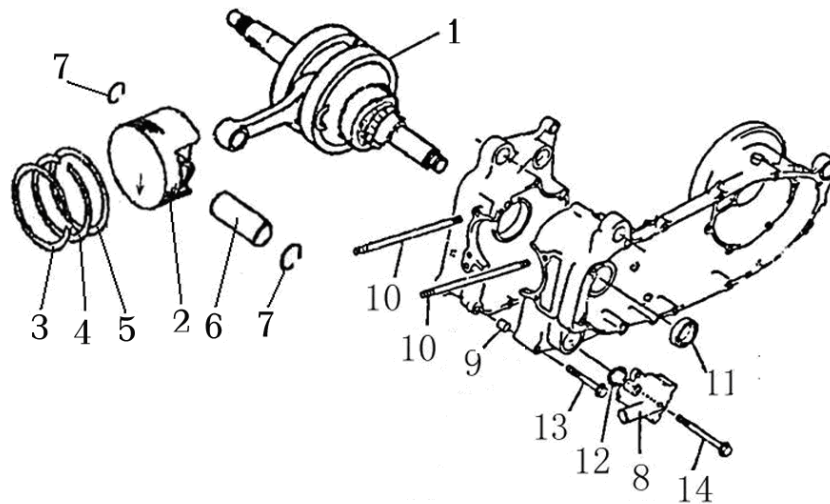
LEFT CRANKCASE COMP.			
REF NO.	PART NO.	DESCRIPTION	QTY
1-1	169-4.03.111	LEFT CRANKCASE	1
1-2	169.12.104	FRONT ABSORBER BUSING SET	1
1-3	157-3.12.159	GEARBOX AIR TUBE	1
1-4	157-3.11.410	SNAP RING	1
1-5	157-3.03.615	TUBE CONNECTOR	1
1-6	157-3.12.105	REAR ABSORBER BUSHING SET	2
1-7	139.11.822	WASHER (AL) 12X20X1.5	1
1-8	152.11.306	FLANGE BOLT M12X1.5	1
1-9	157-3.11.307	TRANSMISSION HUB POSITIONING BOLT	1
1-10	157-3.11.834	WASHER (AL) 14X22X1.3	1
1-11	157-3.10.829	TRANSMISSION HUB POSITIONING SPRING	1
1-12	GB/T308 10	STEEL BALL S Φ 10.319	1
1-13	GB/T 276 6203	BALL BEARING 6203	1
1-14	GB/T 276 6202	BALL BEARING 6202	1
1-15	157-3.11.858	WASHER (ST) 6X18X1.8	2
1-16	GB/T16674.1	FLANGE BOLT M6X12	2
1-17	169-4.10.411	INPUT SHAFT	1
1-18	GB/T 276 6205	BALL BEARING 6205	2
1-19	GB/T894.1-A 25	SNAP RING FOR SHAFT 25	1
1-20	169.12.412	OIL SEAL 25X42X7	1
1-21	157-3.10.823	IDLE PARTS	1
1-22	157-3.11.849	WASHER (AL) 10X18X1.3	1

FIG. 2 RIGHT CRANKCASE COMP.



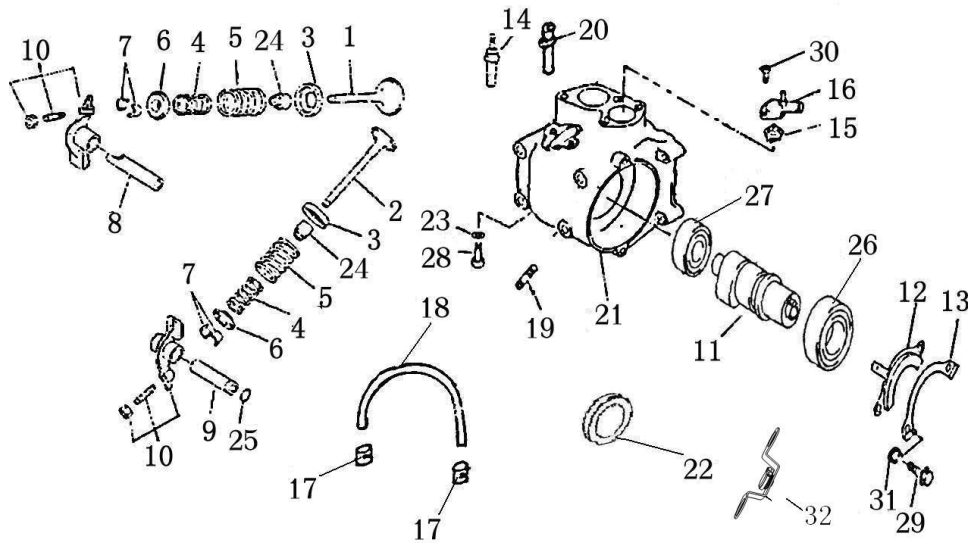
RIGHT CRANKCASE COMP.			
REF NO.	PART NO.	DESCRIPTION	QTY
2-1	169.12.104	FRONT ABSORBER BUSHING SET	1
2-2	169.03.211	RIGHT CRANKCASE	1
2-3	169.09.414	FILTER OIL TUBE	1
2-4	169.09.412	FILTER ELEMENT	1
2-5	169.09.413	FILTER SPRING	1
2-6	169.09.411	FILTER COVER	1
2-7	169.12.524	O-RING 36X3.5	1

**FIG. 3 PARTS OF PISTON, BRANCE, LEFT AND RIGHT
CRANKCASE**



PARTS OF PISTON, BRANCE, LEFT AND RIGHT CRANKCASE			
REF NO.	PART NO.	DESCRIPTION	QTY
3-1	169-4.01.110	BRANCE	1
3-2	169.01.311	PISTON	1
3-3	169.01.321	FIRST RING	1
3-4	169.01.322	SECOND RING	1
3-5	169.01.323	OIL RING ASSY.	1
3-6	169.01.312	PISTON PIN	1
3-7	169.01.313	PISTON PIN CIRCLIP	2
3-8	169.05.410	WATER PUMP COMP.	1
3-9	157-3.11.508	PIN 10X14	2
3-10	169.11.215	DOUBLE-SCREW LONG BOLT	4
3-11	169.12.416	OIL SEAL 30X45X5	1
3-12	169.12.522	O-RING 33.5X2.65	1
3-13	GB/T 16674.1 M6×70	BOLT M6X70	4
3-14	GB/T 16674.1 M6×100	BOLT M6X100	5
(3-15)	169.01.320	PISTON RING COMP. (3-3, 4, 5)	1
(3-16)	169.01.321	PISTON COMP. (3-2,3,4,5)	1

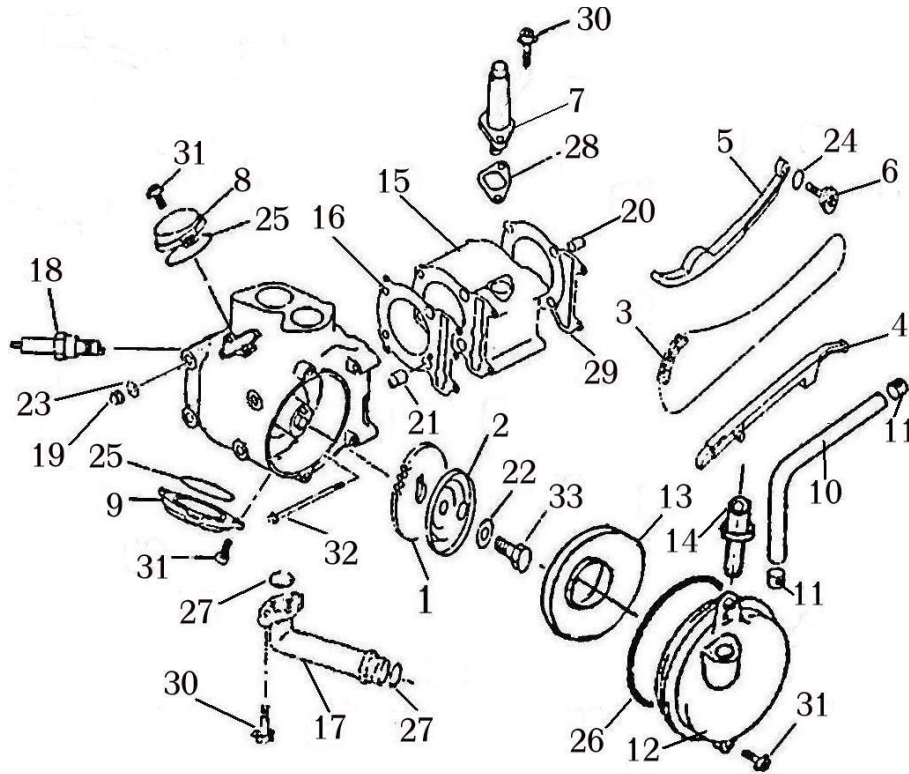
FIG. 4 CYLINDER HEAD COMP.



CYLINDER HEAD COMP.			
REF NO.	PART NO.	DESCRIPTION	QTY
4-1	169.02.311	INTAKE VALVE	1
4-2	169.02.312	EXHAUST VALVE	1
4-3	169.02.315	LOWER VALVE SPRING SEAT	2
4-4	169.02.313	INSIDE VALVE SPRING	2
4-5	169.02.314	OUTSIDE VALVE SPRING	2
4-6	169.02.315	UPPER VALVE SPRING SEAT	2
4-7	169.02.317	VALVE LOCKING CIRCLIP	4
4-8	169.02.112	INTAKE ARM SHAFT	1
4-9	169.02.113	EXHAUST ARM SHAFT	1
4-10	169.02.120	ARM COMP.	2
4-11	169.02.210B	CAM SHAFT	1
4-12	169.11.120	CAM SHAFT CLAMP	1
4-13	169.11.121	CLAMP OUTSIDE SPACER	1
4-14	169.05.712	WATER TEMPERATURE INDUCTOR	1
4-15	169.05.720	THERMOSTAT COMP.	1
4-16	169.05.730	THERMOSTAT COVER COMP.	1
4-17	152.11.407	SMALL WATER TUBE CIRCLIP	2
4-18	169.12.201	SMALL WATER TUBE	1
4-19	169.11.210	EXHAUST TUBE DOUBLE-SCREW BOLT	2
4-20	169.04.223	SMALL WATER CONNECTOR	1
4-21	169.04.210B	CYLINDER HEAD MECH. COMP.	1
4-22	169.08.490	EXHAUST TUBE SEAL GASKET	1
4-23	169.11.801	OIL PRESSURE INDICATOR COPPER WASHER	1

4-24	169.12.402	VALVE STEM OIL SEAL	2
4-25	169.12.507	O-RING 9X2	1
4-26	GB/T 276 6005	BALL BEARING	1
4-27	GB/T 276 6202-RS	BALL BEARING	1
4-28	GB/T 5789 M6×12	BOLT M6X12	1
4-29	GB/T 16674.1 M6×12	BOLT M6X12	2
4-30	GB/T16674.1 M6×20	BOLT M6X20	2
4-31	GB/T859 6	SPRING WASHER	2
4-32	169.02.130	ONE-WAY STOP DEVICE	1
(4-33)	169.02.200B	CAM SHAFT COMP. (INCL.11, 26, 27)	1

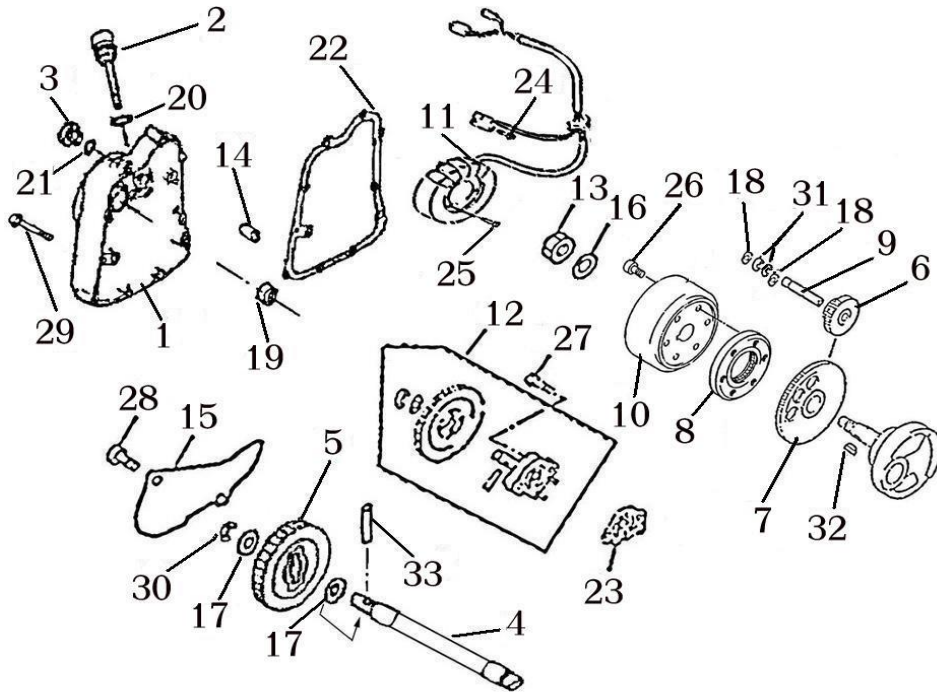
**FIG. 5 CYLINDER / TIMING CHAIN DRIVER / VALVE
COVER**



CYLINDER / TIMING CHAIN DRIVER / VALVE COVER			
REF NO.	PART NO.	DESCRIPTION	QTY
5-1	169.02.212	TIMING DRIVEN SPROCKET	1
5-2	169.04.261	SPROCKET COVER	1
5-3	169.02.510	TIMING CHAIN	1
5-4	169.02.710	CHAIN GUIDING PLATE	1
5-5	169.02.610	TENSIONING PLATE	1
5-6	169.02.506	TENSIONING PLATE SCREW	1
5-7	169.02.410	TENSIONING DEVICE COMP.	1
5-8	169.02.221	INTAKE VALVE COVER	1
5-9	169.02.222	EXHAUST VALVE COVER	1
5-10	169.12.158	SPROCKET ROOM COVER AIR TUBE	1
5-11	169.11.411	TUBE CIRCLIP	2
5-12	169.04.261	SPROCKET ROOM COVER	1
5-13	169.11.124	BREATHER PLATE	1
5-14	169.04.312	BREATHER PIPE CONNECTOR	1
5-15	169.04.110	CYLINDER	1
5-16	169.12.319	CYLINDER HEAD SPACER	1

		COMP.	
5-17	169.05.711	PUMP DISCHARGE ELBOW	1
5-18	169.07.210	SPARKING PLUG	1
5-19	169.11.313	COVER BOLT M8	4
5-20	157-3.11.508	PIN 10X14	2
5-21	169.11.509	PIN 14X16	2
5-22	169.11.806	SPROCKET SPACER 10X22X2.5	1
5-23	169.11.811	CYLINDER HEAD COPPER SPACER 8X18X2	4
5-24	169.12.514	O-RING 14.5X1.8	1
5-25	169.12.526	O-RING 57.5X2.3	2
5-26	169.12.527	O-RING 94X3.3	1
5-27	169.12.516	O-RING 15.5X2.5	2
5-28	169.12.306	TENSIONING DEVICE SPACER	1
5-29	169.12.304	CYLINDER PAPER SPACER	1
5-30	GB/T16674.1 M6×16	BOLT M6X16	4
5-31	GB/T16674.1 M6×20	BOLT M6X20	7
5-32	GB/T16674.1 M6×120	BOLT M6X120	2
5-33	GB/T5786 M10×1.25×25	BOLT M10X1.25X25	1
(5-34)	169.02.800	SPROCKET ROOM COVER COMP. (5-12,13,14,26)	1

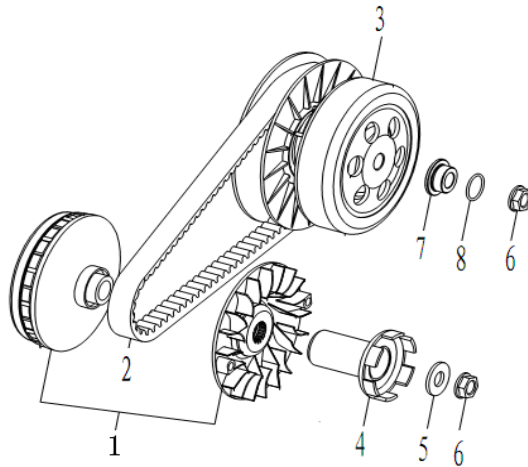
**FIG. 6 RIGHT COVER / MAGNETOR / ENGINE OIL
PUMP / PUMP / ELECTRIC START DRIVING**



RIGHT COVER / MAGNETOR / ENGINE OIL PUMP / PUMP / ELECTRIC START DRIVING			
REF NO.	PART NO.	DESCRIPTION	QTY
6-1	169.03.411	RIGHT COVER	1
6-2	169.09.415	OIL GAUGE	1
6-3	169.03.412	PEEP DOOR SCREW PLUG	1
6-4	169.05.511	PUMP DRIVE SHAFT	1
6-5	169.05.512	PUMP GEAR	1
6-6	169.06.260	ELECTRIC START INTERMEDIATE GEAR COMP.	1
6-7	IN 169.06.310	FREE-WHEELING CLUTCH INNER RING	1
6-8	IN 169.06.310	FREE-WHEELING CLUTCH OUTER RING COMP.	1
6-9	169.06.271	INTERMEDIATE GEAR SHAFT	1
6-10	IN 169.07.110	MAGNETOR FLYING WHEEL	1
6-11	IN 169.07.110	MAGNETOR STATOR	1
6-12	169.09.110	ENGINE OIL PUMP COMP.	1
6-13	169.11.313	CRANKCASE RIGHT SIDE NUT M16X1	1
6-14	157-3.11.508	PIN 10X14	2
6-15	169.11.204	COVER PLATE	1

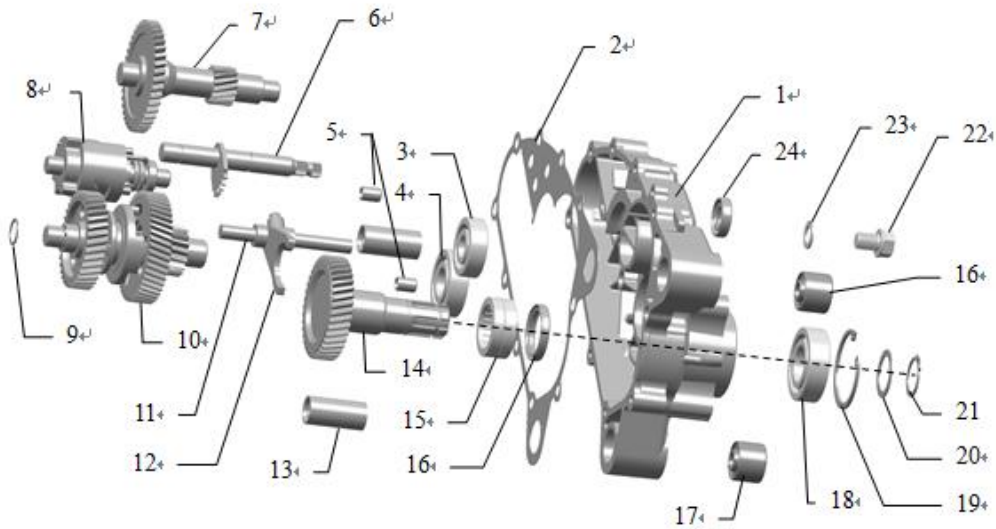
6-16	169.11.843	CRANKCASE RIGHT SIDE SPACER	1
6-17	169.11.859	PUMP GEAR SPACER	2
6-18	169.11.818	ELECTRIC START INTERMEDIATE SHAFT SPACER	2
6-19	169.12.403	RIGHT COVER CAMSHAFT OIL SEAL	1
6-20	169.12.517	O-RING 18X2.65	1
6-21	169.12.513	O-RING 14X2.65	1
6-22	169.12.302	RIGHT COVER PAPER SPACER	1
6-23	169.12.311	ENGINE OIL PUMP PAPER SPACER	1
6-24	GB/T 70.1 M5×12	SCREW M5x12	2
6-25	GB/T 70.1 M5×25	SCREW M5x25	3
6-26	GB/T 70.1 M8×18	SCREW M8x18	3
6-27	GB/T70.2 M6×25	SCREW M6x25	2
6-28	GB/T16674.1 M6×16	BOLT M6x16	2
6-29	GB/T16674.1 M6×40	BOLT M6x40	10
6-30	GB/T894.1 8	SNAP RING FOR SHAFT 8	1
6-31	GB/T 894.1 12	SNAP RING FOR SHAFT 12	2
6-32	GB/T1099.1 5×5.5×16	WOODRUFF KEY 5x5.5x16	1
6-33	GB/T119 B3×22	PIN B3X22	1
(6-34)	169.03.600	RIGHT CRANKCASE COVER COMP. (6-1,2,3,11,19,20,21,24,25)	1
(6-35)	169.05.410	PUMP COMP. (6-4,5,17,30,33)	1
(6-36)	169.06.310	FREE-WHEELING CLUTCH COMP. (6-7,8)	1
(6-37)	169.07.110	MAGNETOR COMP. (6-10,11)	1

FIG. 7 V-BELT DRIVING



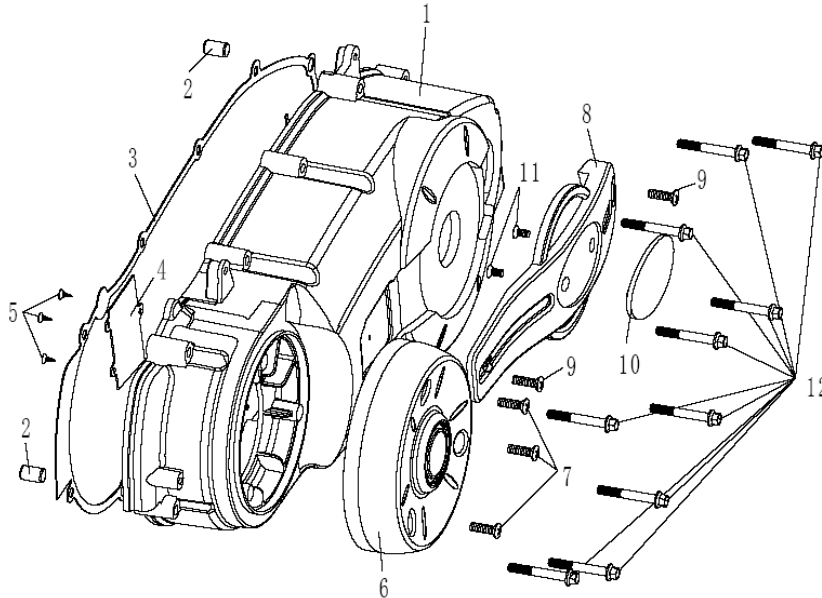
V-BELT DRIVING			
REF NO.	PART NO.	DESCRIPTION	QTY
7-1	169.10.110	DRIVE COMP.	1
7-2	169.10.310	V BELT	1
7-3	169.10.210	CLUTCH, DRIVEN PULLEY COMP.	1
7-4	152.03.323	HAND STARTING PART	1
7-5	157-3.11.838	WASHER 15	1
7-6	169.11.312	FLANGE BOLT M14X1	2
7-7	169.10.412	CLUTCH BRACKET BUSHING	1
7-8	139.12.520	O-RING 21X2	1

FIG. 8 GEARBOX DRIVING



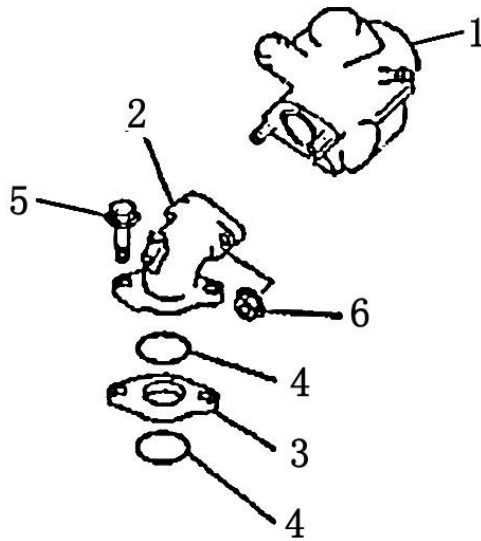
GEARBOX DRIVING			
REF NO.	PART NO.	DESCRIPTION	QTY
8-1	157-3.03.501	GEARBOX COVER	1
8-2	157-3.12.305	GEARBOX COVER SPACER	1
8-3	GB/T276 6302	BALL BEARING 6302	1
8-4	GB/T276 6204	BALL BEARING 6204	1
8-5	157-3.11.508	PIN Ø10x14	2
8-6	157-3.10.760	TRANSMISSION SHAFT COMP.	1
8-7	157-3.10.710	REVERSE SHAFT COMP.	1
8-8	157-3.10.610	TRANSMISSION DRUM COMP.	1
8-9	157-3.11.836	WASHER (ST) 15x19x1	1
8-10	169-4.10.420	SHIFTING SHAFT COMP.	1
8-11	157-3.10.820	DECLUTCH SHIFT SHAFT	1
8-12	157-3.10.821	DECLUTCH SHIFT	1
8-13	157-3.03.612	SHORT SHAFT	2
8-14	169-4.10.450	OUTPUT GEAR SHAFT	1
8-15	GB/T5801 RNA4905	NEEDLE BEARING RNA4905	1
8-16	157-3.12.415	OIL SEAL 30x40x6	1
8-17	157-3.12.105	REAR ABSORBER BUSHING	2
8-18	GB/T276 6205	BALL BEARING 6205—2RS	1
8-19	GB/T893.1 52	SNAP RING 52	1
8-20	157-3.11.849	WASHER 25x34x1	1
8-21	GB/T894.1 25	SNAP RING 25	1
8-22	152.11.822	DRAIN PLUG M12x1.5	1
8-23	152.11.306	WASHER 12x20x1.5	1
8-24	157-3.12.404	OIL SEAL 14x28x7	1

**FIG. 9 JINGLANG TYPE-RUYI LEFT COVER COMP.
(169.03.400B)**



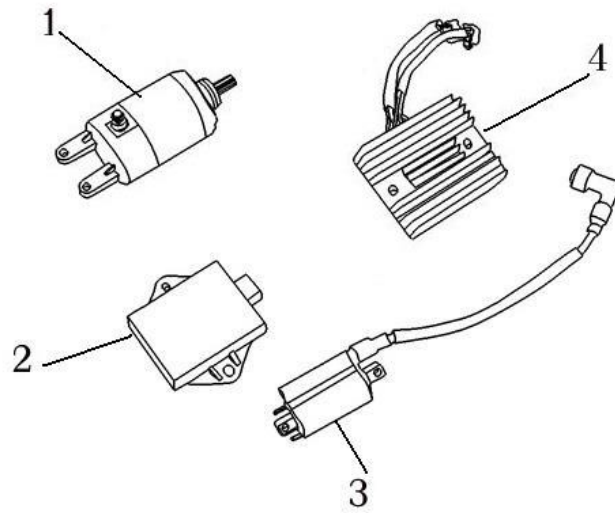
JINGLANG TYPE-RUYI LEFT COVER COMP. (169.03.400B)			
REF NO.	PART NO.	DESCRIPTION	QTY
9-1	169.03.311B	LEFT CRANKCASE COVER (RUYI STYLE)	1
9-2	157-3.11.508	PIN Ø10x14	2
9-3	169.12.302	LEFT CRANKCASE COVER SPACER	1
9-4	169.11.119B	L. CRANK CASE COVER PLATE	2
9-5	GB/T 845	TAPPING SCREW ST3.5x8	3
9-6	169.03.315	FRONT COVER COMP.	1
9-7	GB/T818	SCREW M6x20	3
9-8	152.03.320	REAR COVER	1
9-9	GB/T 818	SCREW M5x16	2
9-10	152.03.312	NAME PLATE COVER	1
9-11	GB/T 818	SCREW M5x10	2
9-12	GB/T16674.1	FLANGE BOLT M6x40	10

FIG. 10 INTAKE PIPE, CARBURETOR



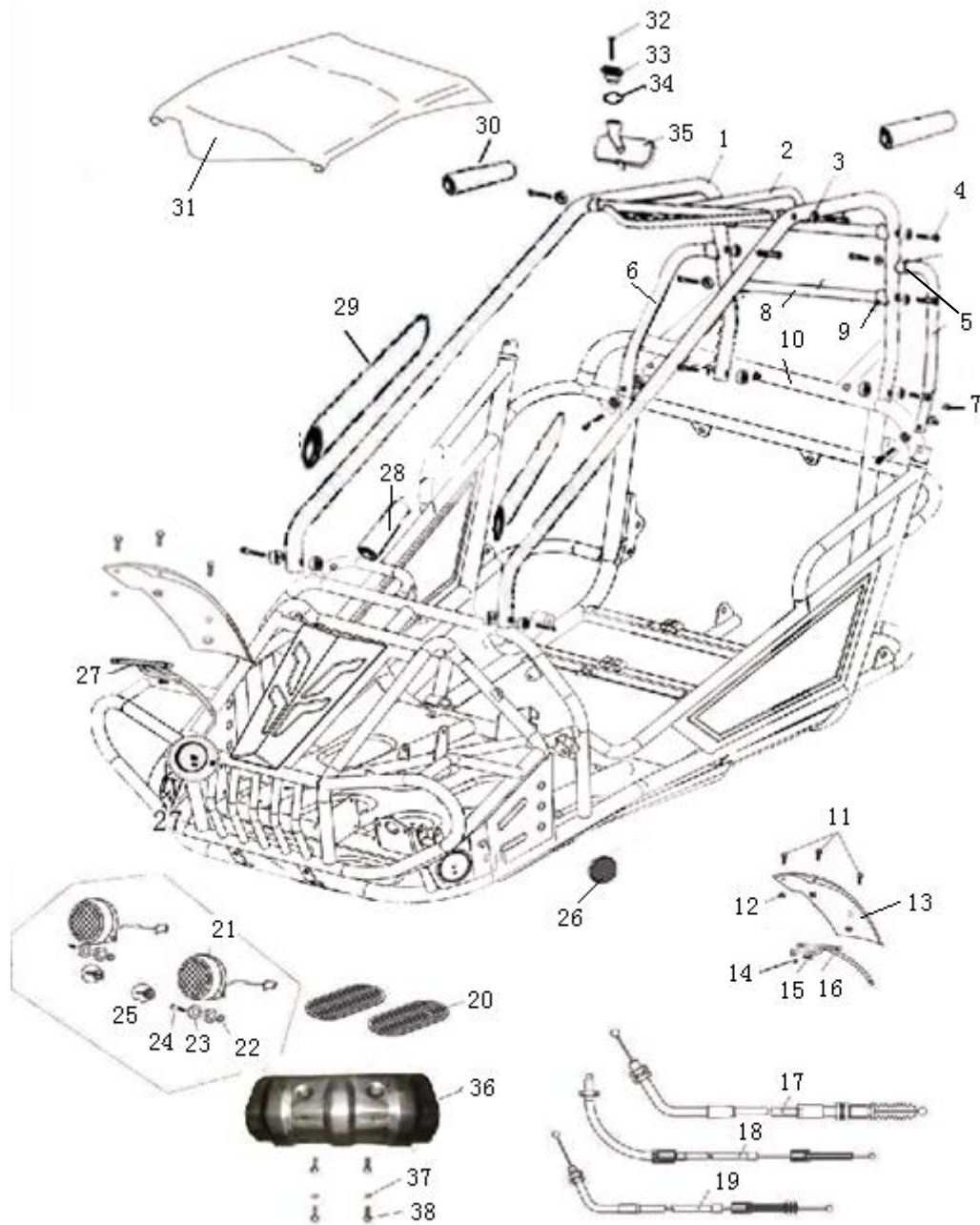
INTAKE PIPE, CARBURETOR			
REF NO.	PART NO.	DESCRIPTION	QTY
10-1	169.08.100	CARBURETOR COMP.	1
10-2	169.08.210	INTAKE PIPE COMP.	1
10-3	169.08.260	INTAKE PIPE INSULATION SPACER	1
10-4	169.12.523	O-RING 35X2	2
10-5	GB/T 16674.1 M6X25	BOLT M6X25	2
10-6	GB/T6177.1 M6	NUT M6	2

FIG. 11 ELECTRIC PARTS



ELECTRIC PARTS			
REF NO.	PART NO.	DESCRIPTION	QTY
11-1	169.06.110	STARTOR COMP.	1
11-2	169.07.410	IGNITOR	1
11-3	169.07.310	IGNITION COIL	1
11-4	169.07.510	RECTIFIER COMP. REGULATE	1

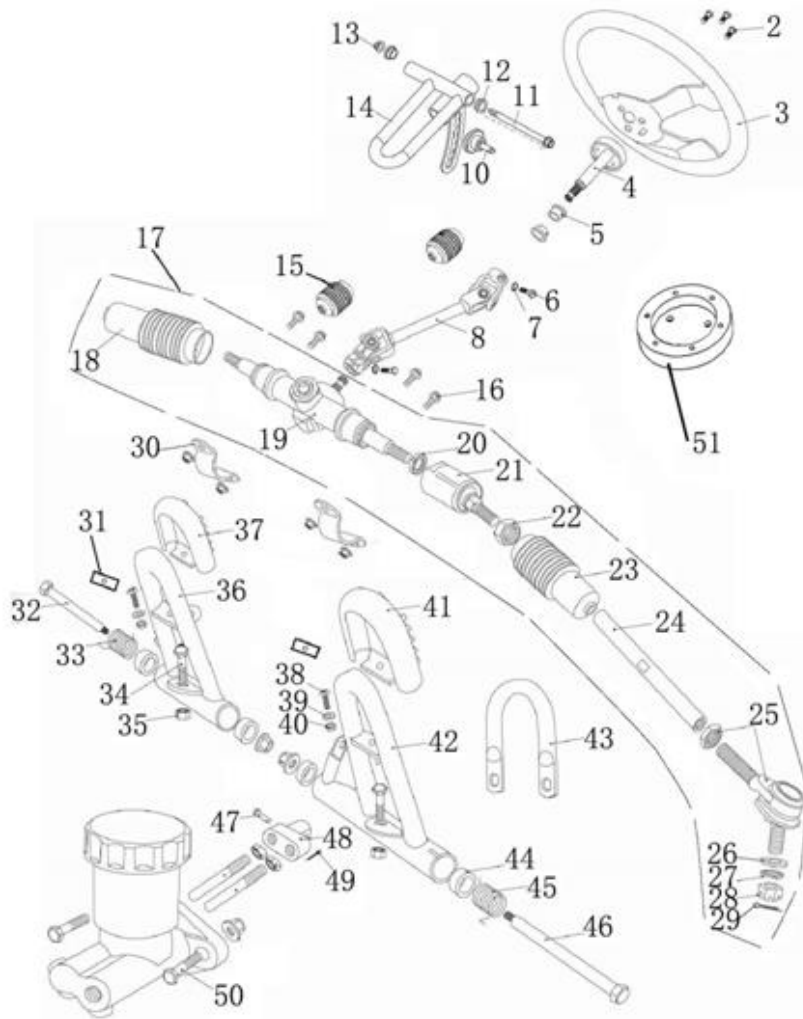
FIG. 13 FRAME GROUP



FRAME GROUP			
REF NO.	PART NO.	DESCRIPTION	QTY
13-1	8070064150G000	C.B.C.BAR CAGE(B.R.S.)	2
13-2	8070063150G000	C.B.C.CROSS BAR,(B.R.S.)	1
13-3	8010047250G000	R-WASHER	24
13-4	57870805512505	SOCKET BOLT M8*1.25*55	15

13-5	7010016250G000	TUBE SEAT ϕ 32	2
13-6	8070067150G000	C.B.C.BAR,L./R.SIDE(B.R.S.)	2
13-7	61870800012505	LOCKING FLANGE NUT M8	6
13-8	8070065150G000	C.B.C.CROSS BAR,RR(B.R.S.)	1
13-9	7010017250G000	TUBE SEAT ϕ 25	6
13-10	8070066300GB01	FRAME COMP.(B.R.S.)	1
13-11	57890601610005	BOLT-WASHER M6*16	6
13-12	61770600010005	LOCKING FLANGE NUT M6	6
13-13	7010034250G000	FENDER,FR.	2
13-14	93000600000005	SPRING WASHER ϕ 6	4
13-15	57890601410005	BOLT-WASHER M6*14	4
13-16	6100067250G000	FRONT FENDER BRACKET,L.	1
13-17	6012000300G000	THROTTLE CABLE COMP.	1
13-18	6013000300G000	REVERSE CABLE	2
13-19	6000050150G000	PARKING BRAKE CABLE COMP.	1
13-20	7020012250G000	RUBER FOOT FLATE	4
13-21	6000009150G000	HEADLIGHT UNIT	2
13-22	61770800012505	LOCKING FLANGE NUT M8	4
13-23	97000800000005	WASHER ϕ 8	4
13-24	57870804012505	BOLT M8x40	4
13-25	9.090.001	LIGHT BULB	2
13-26	6000114250G000	FRONT REFLECTOR	4
13-27	6100102250G000	FRONT FENDER BRACKET,R.	1
13-28	6000083250G000	FOAM PADDING-1	2
13-29	6000116250G000	FOAM PADDING-2	2
13-30	6000300250G000	FOAM RADDING	2
13-31	6100061250G000	AWNING	1
13-32	81800503010005	BOLT M5x30	1
13-33	8010086250G000	REAR MIRROR MOUNT	1
13-34	9040003250G000	REAR MIRROR MOUNT O-RING	1
13-35	6000084250G000	REAR MIRROR ASSY.	1
13-36	8020100250GS00	BUMPER	
13-37	97000800000005	GB97 ϕ 8	2
13-38	57890801212505	GB5789 M8*12	4
13-39	6000135250G000	HORN,H.	1
13-40	6000136250G000	HORN,L.	1

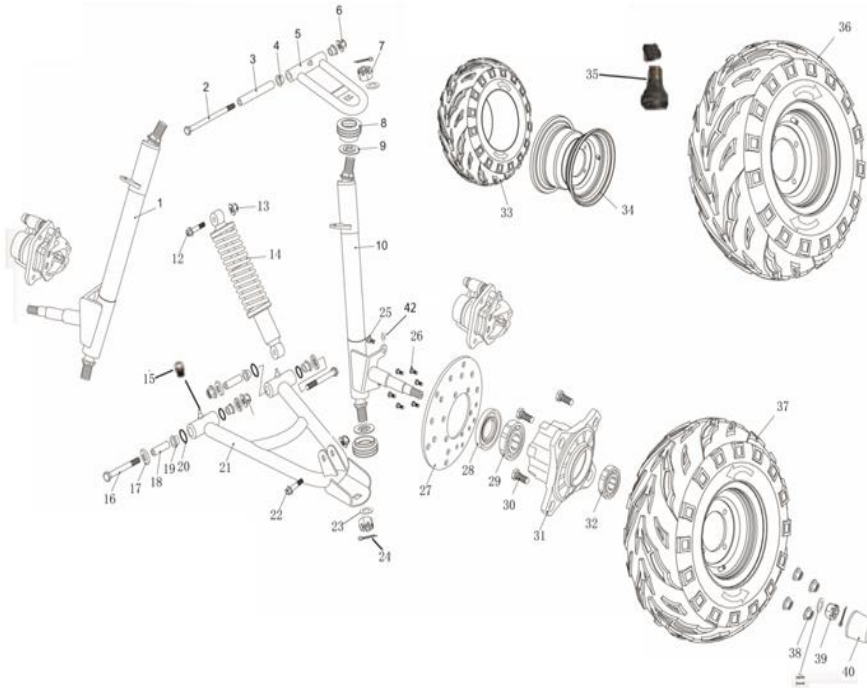
FIG. 14 STEERING SHAFT ASSY.



STEERING SHAFT ASSY.			
REF NO.	PART NO.	DESCRIPTION	QTY
14-2	57810601210005	GB5781 M6X12	3
14-3	7020038300G001	STEERING WHEEL	1
14-4	4011000150G000	STEERING SHAFT	1
14-5	7010026150G000	BUSH STEERING SHAFT	2
14-6	57830802512505	BOLT M8X25	2
14-7	930008000000005	LOCK WASHER φ8	2
14-8	6000093250G000	STEERING KNUCKLE	1
14-10	4000100150G000	STEERING GEAR ADJUSTING BOLT	1
14-11	5812000150G000	FLANGE BOLT M8X1.25X105	1
14-12	7010003250G000	BUSHING	2
14-13	61870800012505	LOCKING NYLON NUT M8	9
14-14	4000051150GHB0	TILT STEERING HOUSING	1

14-15	7020066250G000	STEERING KNUCKLE DUST COVER	2
14-16	61870802512505	BOLT-WASHER M8X1.25X25	4
14-17	3000007250G000	STEERING SHAFT ASSY.	1
14-18	7020002250G000	BALL JIONT DUST COVER	2
14-19	4000014250G000	STEERING GEAR	1
14-20	9900016250G000	ROUND NUT M16X1.5	2
14-21	4000008250G000	STEERING BALL JOINT	2
14-22	61701000012505	NUT M10	2
14-24	8010157250G000	TIE ROD	2
14-25	6000062250G000	ROD END	2
14-26	97001000000002	FLAT WASHER ϕ 10	2
14-27	93001000000002	LOCK WSAHER ϕ 10	2
14-28	94571000012505	CASTLE NUT ϕ 10	2
14-29	GB912502500002	COTTER PIN ϕ 2X15	2
14-30	8020014250G000	STEERING GEAR BRACKET	2
14-31	8020104250G000	PEDAL PAD PLATEN	2
14-32	9708145250G001	FLANGE BOLT M8x1.25x145	1
14-33	8040001250G000	THROTTLE PEDAL RETURN SPING,L.	1
14-34	57870804512505	BOLT-WASHER M8x1.25x45	2
14-35	61700800012505	NUT M8	2
14-36	4000016250G000	THROTTLE PEDAL COMP.	1
14-37	7020036250G000	THROTTLE PEDAL PAD	1
14-38	81800501610005	PAN SCREW M5x16	2
14-39	97000500000005	FLAT WASHER ϕ 5	2
14-40	61700500010005	NYLON LOCK NUT M5	2
14-41	7020037250G000	BRAKE PEDAL PAD	1
14-42	4000015150G000	BRAKE PEDAL COMP.	1
14-43	8070044250G000	MASTER CYLINDER BRACKET	1
14-44	7010004250G000	PEDAL BUSH	4
14-45	8040007250G000	BRAKE PEDAL RETURN SPRING ,R.	1
14-46	9708222250G000	BRAKE PEDAL BOLT M8x1.25x222	1
14-47	88200602800003	PIN ϕ 6x28	1
14-48	8030024250G001	SPINDLE BRACKET	1
14-49	GB912001600002	COTTER PIN ϕ 2x16	1
14-50	57890803512505	BOLT-WASHER M8x1.25x35	2
14-51	4011100150G0A0	STEERING WHEEL BRACKET	1
14-52	4011100150G0A0	BOLT M5x20	6

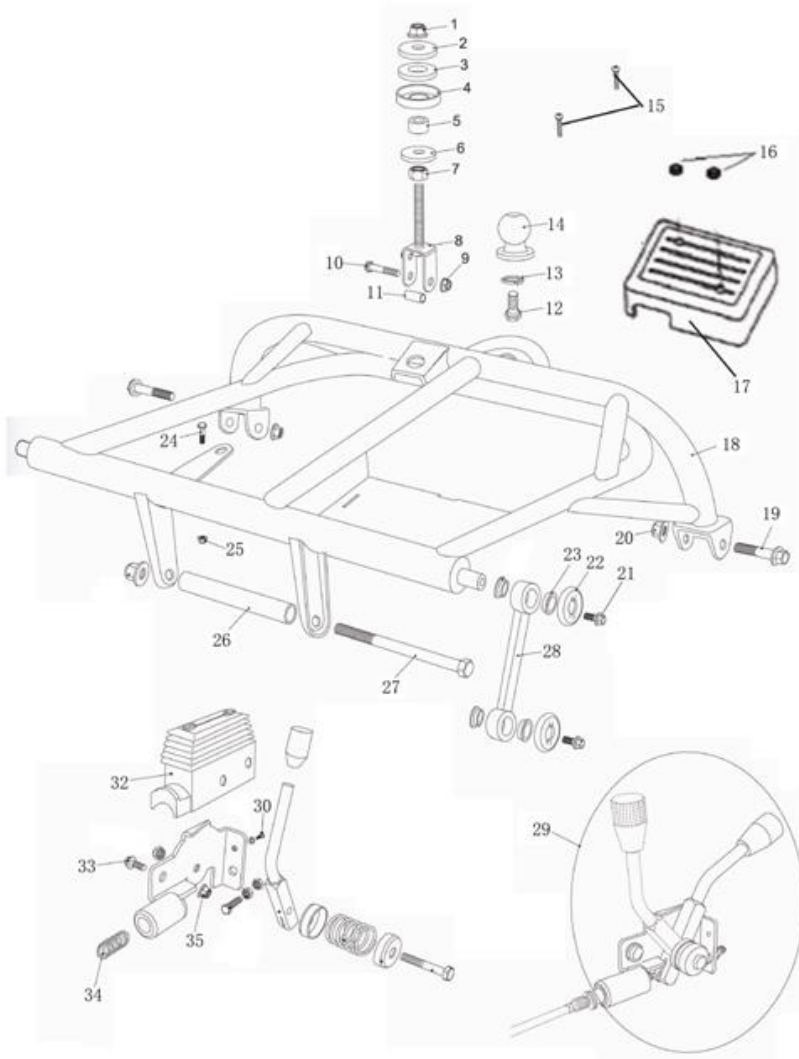
FIG. 15 FRONT SUSPENSION ASSY.



FRONT SUSPENSION ASSY.			
REF NO.	PART NO.	DESCRIPTION	QTY
15-1	2010028250GH00	STRUT AND SPINDLE SUPPORT,R.WITH BRACKET-BLACK	1
15-2	57890810512505	BOLT-WASHER M8x1.25x105	2
15-3	8010015250G000	UPPER SUSPENSION ARM COLLAR	2
15-4	7010003250G000	UPPER SUSPENSION ARM BUSH	4
15-5	4000004250GH00	UPPER SUSPENSION ARM	2
15-6	61870800012505	LOCKING FLANGE NUT M8	2
15-7	94571200012505	CASTLE NUT M12	4
15-8	7020025250G000	BALL HEAD DUST SEAL	4
15-9	8020053250G100	BALL HEAD SPACER	4

15-10	2010027250GH00	STRUT AND SPINDLE SUPPORT,L.WITH BRACKET-BLACK	1
15-12	57891004012505	BOLT-WASHER M10x1.25x40	2
15-13	61871000012505	LOCKING FLANGE NUT M10	16
15-14	6000325150GH00	CUSHION ASSY.,FR.L=325	2
15-15	5400600400N000	LUBRICATING NIPPLE	6
15-16	57891008012505	BOLT-WASHER M10x1.25x80	4
15-17	8020034250G100	LOWER SUSPENSION ARM DUSH CAP	8
15-18	8010014250G000	LOWER SUSPENSION ARM COLLAR	4
15-19	7010002250G000	LOWER SUSPENSION ARM BUSH	8
15-20	9040001250G000	O-RING ϕ 21.2x2.65	8
15-21	4000023250GH00	LOWER SUSPENSION ARM ASSY.	2
15-22	57891004012505	BOLT-WASHER M10x1.25x40	2
15-23	97001200000005	WASHER ϕ 12	4
15-24	GB912503000002	COTTER PIN ϕ 2.5x30	6
15-25	57870801412505	BOLT M8x14	4
15-26	57830601610005	BOLT STRAP M6x16	12
15-27	8010054250G000	BRAKE DISC.	2
15-28	YF047002500700	DUST SEAL 47x25-7	2
15-29	62042RS0000000	BEARING 6204-2RS	2
15-30	9710031250G000	CAP LUG NUT M10x1.25x31	8
15-31	8010085250GH00	WHEEL HUB	2
15-32	62022RS0000000	BEARIG 6202-2RS	2
15-33	7020050250G000	TIRE,FR.20X7-8	2
15-34	6000142250G000	RIM,FR.	2
15-35	7190018250G000	AIR VALVE	2
15-36	6000097250G000	FR.WHEEL ASSY.,R. 20x7-8	1
15-37	6000140250G000	FR.WHEEL ASSY.,L. 20x7-8	1
15-38	61871000012505	NUT M10	16
15-39	94571400015005	CASTLE NUT M14	2
15-40	7020039250G000	HUB COVER	2
15-41	97001400000005	WASHER ϕ 14	2
15-42	93000800000005	SPRING WASHER ϕ 8	4

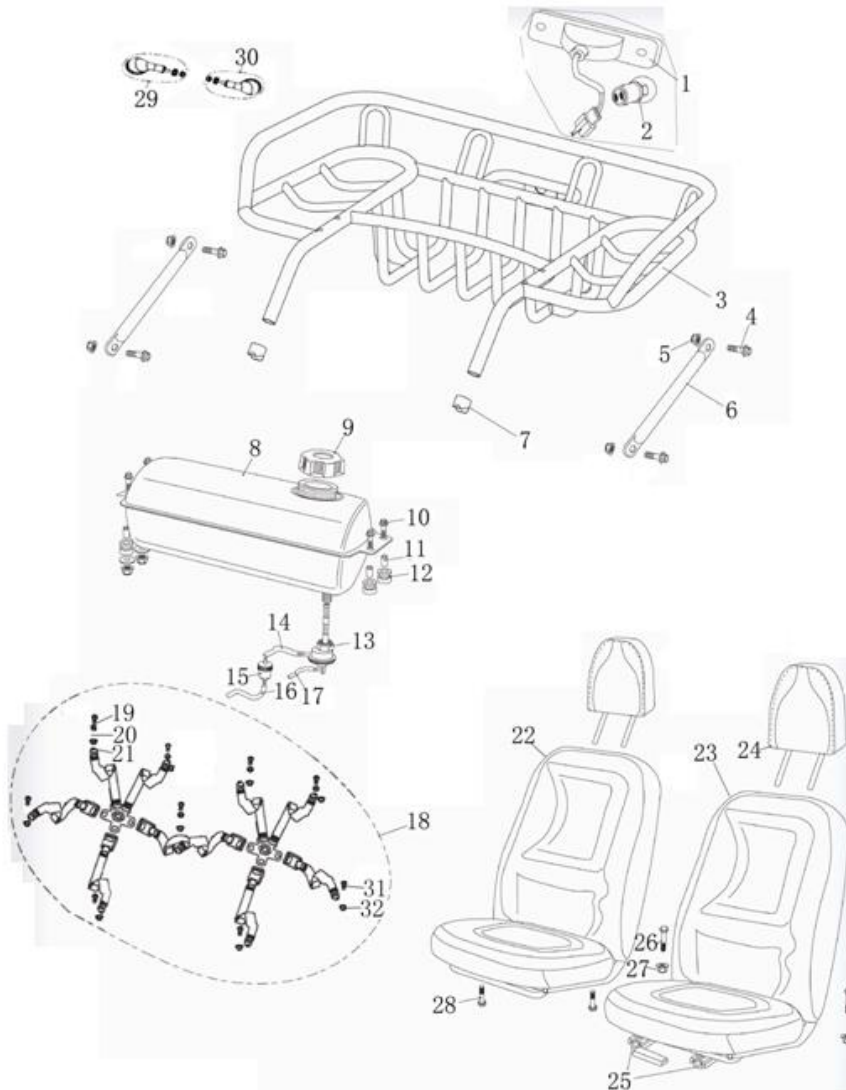
FIG. 16 REAR SWING ARM ASSY. UPPER



REAR SWING ARM ASSY. UPPER			
REF NO.	PART NO.	DESCRIPTION	QTY
16-1	61871200012505	LOCKING FLANGE NUT. M12	1
16-2	8010042250G100	WASHER. ENGINE MOUNT LINK	1
16-3	7020001080G000	CUSHION. ENGINE MOUNT LINK	1
16-4	8020045080G100	SPACER. ENGINE MOUNT LINK	1
16-5	8010041080G000	COLLAR. ENGINE MOUNT LINK	1
16-6	8010042250G100	WASHER. FLAT 12	1

16-7	61701200012505	NUT M12	1
16-8	6000026300G001	ENGINE MOUNT BOLT PLATE	1
16-9	61871000012505	LOCKING FLANGE NUT. M10	2
16-10	57851004512505	BOLT M10X1.25X45	1
16-11	8010076150G100	COLLAR. ENGER MOUNT BOLT PLATE	1
16-12	57831602520003	BOLT M16X2X25	1
16-13	93001600000003	WASHER ϕ 16	1
16-14	8010084250G000	TOW BALL	1
16-15	81800606010004	SCREW. PAN M6X60	2
16-16	7010006250G000	BOLT COVER	2
16-17	7010029250G000	COVER. ELECTRIC ASSY	1
16-18	2000029300GH00	REAR SWING ARM ASSY. UPPER	1
16-19	57871206012505	BOLT-WASHER m12x1.25x60	2
16-20	61871200012505	LOCKING FLANGE NUT. M12	2
16-21	70000801212505	BOLT M8X12	4
16-22	8020013150G000	SPACER. CON'ROD	4
16-23	7010002250G000	BUSH. CON'ROD	8
16-24	57890602512505	BOLT M6X25	1
16-25	61870600010005	LOCKING FLANGE NUT. M6	1
16-26	5210100110G000	COLLAR ENGINE MOUNT	1
16-27	57871023812505	BOLT M10X1.25X195	1
16-28	8030001300G001	SWING ARM DOG BONE	2
16-29	6000042150G000	PARKING BRAKE LEVER ASSY	1
16-30	90746501610005	SCREW. PAN M5X16	1
16-32	7020024150G000	COVER. REVERSE LEVER	1
16-33	57870802012505	BOLT M8X20	2
16-34	8040004150G000	SPRING .CABLE	1
16-35	61870800012505	LOCKING FLANGE NUT. M8	2

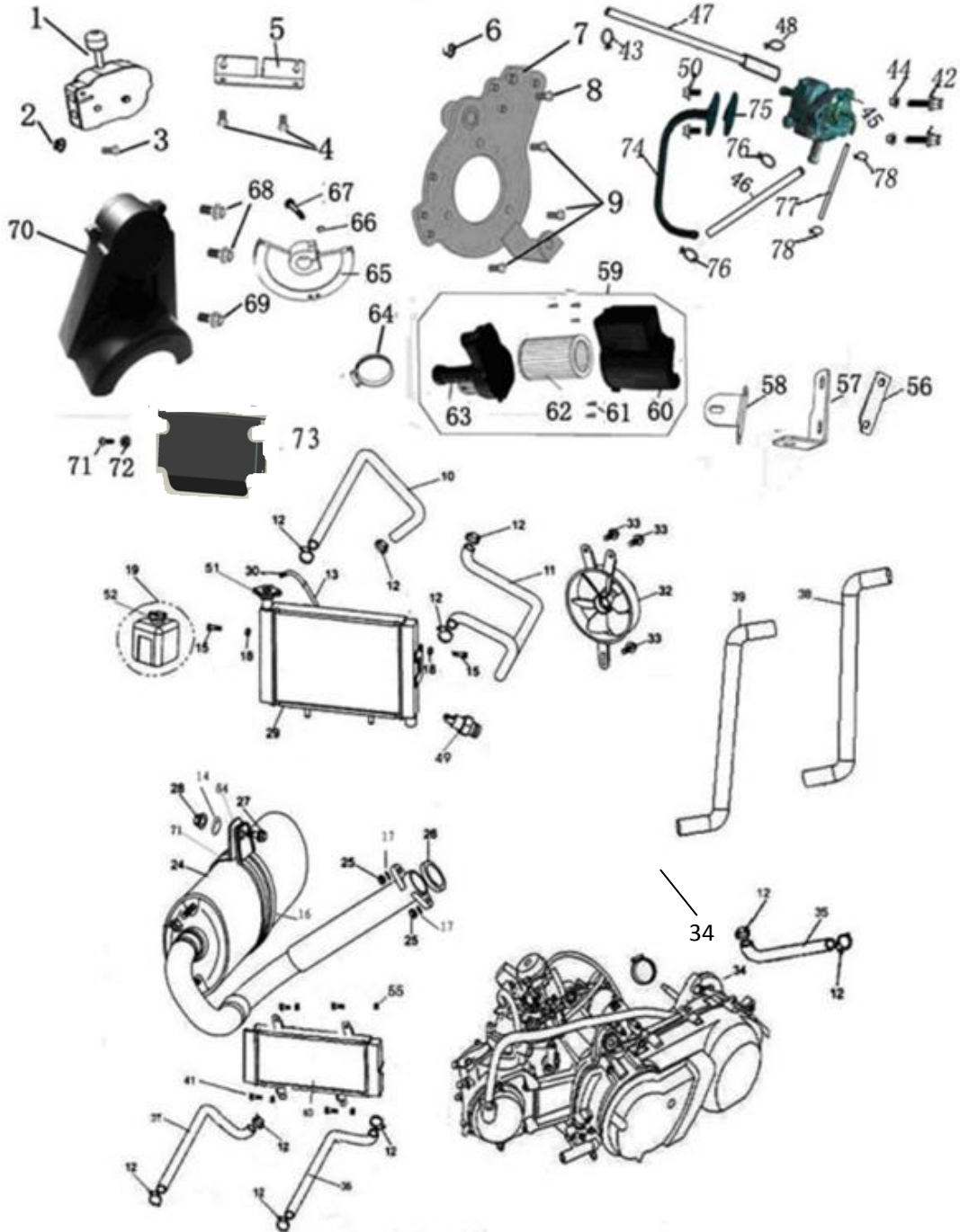
FIG. 17 REAR CARGO RACK / SEAT / BELT



REAR CARGO RACK / SEAT / BELT			
REF NO.	PART NO.	DESCRIPTION	QTY
17-1	6000387150G000	TAIL LIGHT	1
17-2	9090002250G000	TAIL LIGHT BULB	1
17-3	2000061150G0A0	REAR CAGE RACK(B.G.R.)	1
17-4	57870802012505	BOLT M8x20	4
17-5	61870800012505	LOCKING NYLON NUT M8	4
17-6	8080051150G000	RACK SUPPORT ARM (B.G.R.)	2
17-7	7010017250G000	TUBE SEAT ϕ 25	2
17-8	4000029250G000	FUEL TANK COMP.	1

17-9	6000145080G000	FUEL FILLER CAP COMP	1
17-10	57870802512505	BOLT M8x25	4
17-11	8010034250G000	TANK COLLAR	4
17-12	7020005250G000	RUBBER MOUNT	4
17-13	6000046150G000	AUTO FUEL COCK ASSY.	1
17-14	7020021150G000	FUEL TUBE COMP. #1	1
17-15	6000056250G000	FILTER	1
17-16	7020022150G000	FUEL TUBE COMP. #2	1
17-17	7020031150G000	VACUUM TUBE COMP	1
17-18	6000354150G000	SAFETY BELT COMP.	1
17-19	9700001250G000	SPECIAL BOLT M7/16"x28	5
17-20	9700002250G000	BELT WASHER ϕ 12	5
17-21	9700003250G000	BELT NUT M7/16"	5
17-22	6000378150G000	SEAT COMP R	1
17-23	6000377150G000	SEAT COMP L	1
17-24	6000376150G000	HEAD REST	2
17-25	6000379150G000	SEAT RAIL SET	1
17-26	37000804512503	BOLT M8X1.25X40	2
17-27	61770800012505	NUT M8	2
17-28	57870804012505	BOLT M8x40	2
17-29	6.000.155-RR	TURN LIGHT.R.RR	1
17-30	6.000.156-RR	TURN LIGHT. L. RR	1

**FIG. 18 AIR CLEANER/ RADIATOR/
BATTERY/MUFFLER ASSY.**

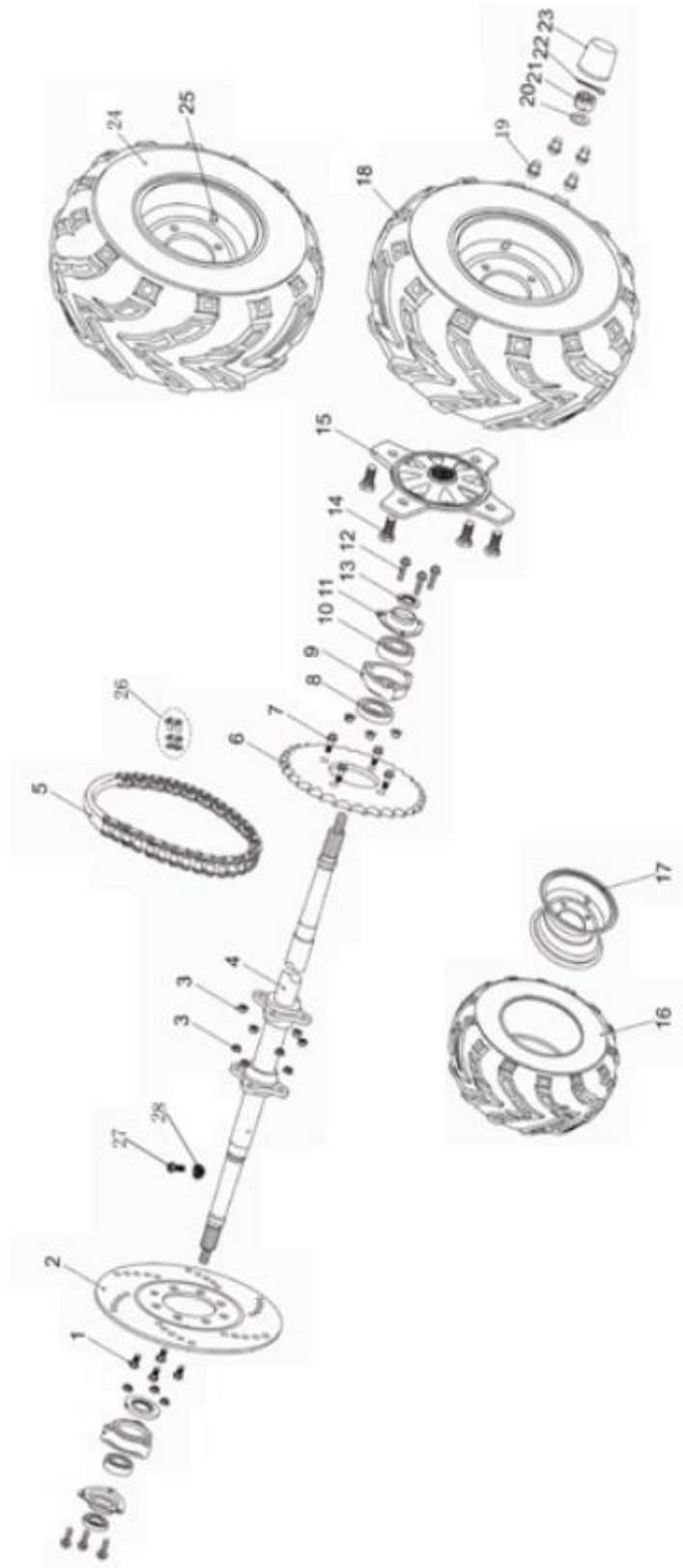


AIR CLEANER/RADIATOR/BATTERY/MUFFLER ASSY.			
REF NO.	PART NO.	DESCRIPTION	QTY
18-1	4070000300G000	SHIFTER HOISE ASSY.	1
	4071000300G000	SHIFTER HOISE (unassembled)	1
18-2	61870800012505	LOCKING NYLON NUT M8	1

18-3	57870802012505	BOLT M8x20	1
18-4	57890601210005	BOLT-WASHER M6x12	2
18-5	4000100300G200	REVERSE CABLE FIXED PLATE	1
18-6	6177080012505	NUT M8	1
18-7	1010000300G000	ENGINE MOUNT PLATE	1
18-8	57890802012505	BOLT M8x20	1
18-9	57830801612505	BOLT M18X16	3
18-10	7090042300G000	TUBE COMP.WATER 1#	1
18-11	7190043250G000	TUBE COMP.WATER 2#	1
18-12	1405000400n000	TUBE CLAMP	10
18-13	7090045250G000	TUBE COMP.WATER 3#	1
18-14	96001000000005	WASHER ϕ 10	1
18-15	57890603010005	BOLT M6X30	4
18-16	7020054250G000	EMBRACE HOOP RUBBER CUSHION	1
18-17	93000800000005	SPRING WASHER ϕ 8	2
18-18	61870600010005	LOCKING NUT M6	4
18-19	4100248250G000	COLLANT TANK	1
18-21	8.020.166	EMBRACE HOOP	1
18-24	4710000300G001	MUFFLER COMP.EX.	1
18-25	61780800012505	LOCKING NYLON NUT M8	2
18-26	7090050250G000	EX.PIPE GASKET	1
18-27	57891003012505	BOLT-WASHER M10X1.25X30	1
18-28	61871000012505	NUT M10	1
18-29	1421000300G002	RADIATOR COMP.	1
18-30	8040010250G000	TUBE CLAMP ϕ 10	1
18-32	1421002300G000	FAN COMP.	1
18-33	57890601210005	BOLT-WASHER M6X12	6
18-34	1000000300G001	300cc ENGINE	1
18-35	1400100300G000	TUBE COMP WATER 5#	1
18-36	7090056300G100	TUBE COMP WATER 6#	1
18-37	7090057300G100	TUBE COMP WATER 7#	1
18-38	7090056250G100	TUBE COMP WATER 1#	1
18-39	7090057250G100	TUBE COMP WATER 2#	1
18-40	4000034250G0000R	RADIATOR.COMP	1
18-41	57890602510005	BOLT M6X25	4
18-42	57890602010005	BOLT M6X20	2
18-43	8090051250G000	TUBE CLAMP ϕ 10	1
18-44	61870600010005	LOCKING NUT M6	2
18-45	4700500300K000	SECONDARY GULP VALVE	1
18-46	4701500300G000	SECONDARY GULP VALVE TUBE	1
18-47	4902100300G000	AIR CLEANER SECONDARY INTAKE TUBE	1
18-48	621A1500000000	TUBE CLAMP ϕ 15	1
18-49	7190009250G000	HEAT SENSITIVE SWICH	1

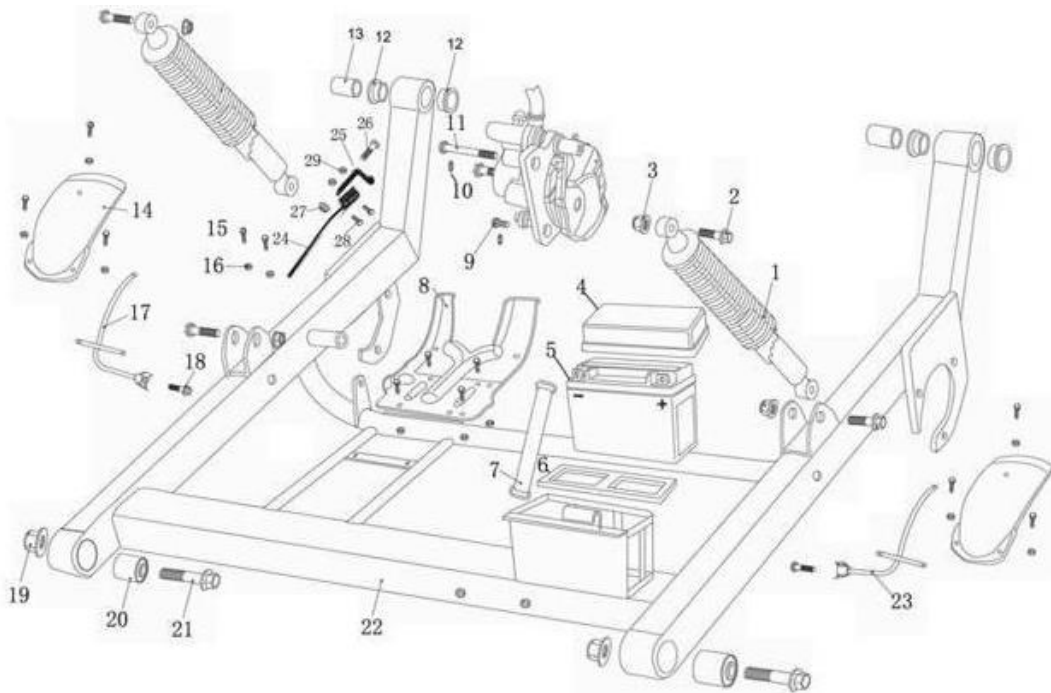
18-50	57890601210005	BOLT-WASHER M6X12	2
18-51	1421001300G000	RADIATOR COMP COVER	1
18-52	4100249250G000	COLLANT TANK CAP	1
18-54	8020166250G000	EMBRACE HOOP (MUFFLER COMP.EX)	1
18-55	61870600012505	LOCKING NUT M6	5
18-56	4901100300G000	AIR CLEANER MOUNT PLATE	1
18-57	4900300150G000	AIR CLEANER MOUNT PLATE,RR	1
18-58	4900200150G000	AIR CLEANER MOUNT PLATE,FR	1
18-59	4900000300G000	AIR CLEANER ASSY.	1
18-60	7010047150G000	AIR CLEANER CASE COMP.	1
18-61	2823500200002	TAPPING SCREW M5X20	9
18-62	6000151150G000	AIR CLEANER ELEMENT	1
18-63	4910100300G000	AIR CLEANER TUBE	1
18-64	4900700300k000	AIR CLEANER CLAMP	1
18-65	4000200300G200	SHIFTER DISK	1
18-66	93000600000005	SPRING WASHER ϕ 6	1
18-67	57830602510005	BOLT M6X25	1
18-68	57890603010005	BOLT M6X30	2
18-69	57890803012505	BOLT M8X30	1
18-70	7010133150G001	CHAIN PROTECTOR. RR	1
18-71	57870603010005	FLANGE BOLT M6X30	4
18-72	61770600010005	NUT M6	4
18-73	8020151300GH00	COLLANT TANK GUARD PLATE	1
18-74	4790000300G000	SECONDARY GULP U TUBE	1
18-75	4700300300K000	WASHER, SECONDARY GULP U TUBE	1
18-76	8040010250G000	TUBE CLAMP ϕ 10.5	1
18-77	7020031300G000	VACUUM FUEL TUBE	1
18-78	621A0700000000	TUBE CLAMP ϕ 7	2
18-79	7090132250G000	BOOT CLAMP ϕ 22-32	4

FIG. 19 REAR SUSPENSION ASSY.



REAR SUSPENSION ASSY.			
REF NO.	PART NO.	DESCRIPTION	QTY
19-1	57890802512505	BOLT-WASHER M8X1.25X22	4
19-2	8010053250G000	RR. BRAKE DISC	1
19-3	61870800012505	LOCKING NYLON NUT M8	14
19-4	8010057150G0B0	REAR AXLE	1
19-5	9170002250G000	DRIVE CHAIN (52)	1
19-6	8110077250G000	REAR SPROCKET	1
19-7	57890803012505	FLANGE BOLT M8x1.25x30	4
19-8	YF050003400700	DUST SEAL 50X34-7	2
19-9	8030008150G100	RR. AXLE BRG HOUSING COMP	2
19-10	62062RS0000000	BEARING 6206	2
19-11	8020028150G100	BEARING BASE	2
19-12	57870804012505	BOLT M8x40	6
19-13	YF042003000700	DUST SEAL 42X34-7	2
19-14	9710031250G000	TIRE BOLT	8
19-15	8010056150GHA0	REAR AXLE HUB.	2
19-16	7020052250G000	TIRE. RR 22x10-10	2
19-17	6000143250G000	RIM. RR	2
19-18	6000148250G000	REAR WHEEL ASSY. L	1
19-19	61871000012505	LOCKING NUT M10X1.25	8
19-20	97001600000005	RR. WHEEL SPACER. ϕ 16	2
19-21	94571500015005	CASTLE NUT M16	2
19-22	GB914004000002	COTTER PIN ϕ 4X40	2
19-23	7020039250G000	HUB COVER	2
19-24	6000052250G001	REAR WHEEL ASSY. R	1
19-25	7190018250G000	AIR VALVE	2
19-26	6000149150G000	CHAIN MASTER LINK	1
19-27	81800300610001	MAGNET SCREW	1
19-28	7190013250G000	MAGNET	1

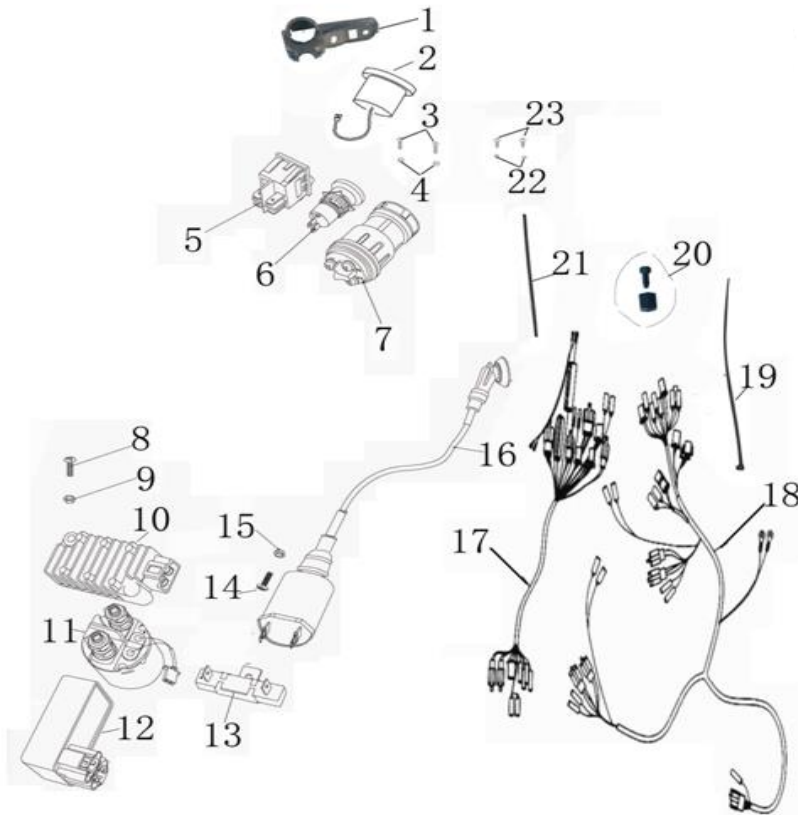
FIG.20 REAR SWING ARM



REAR SWING ARM			
REF NO.	PART NO.	DESCRIPTION	QTY
20-1	600006150G000	CUSHION ASSY. RR	2
20-2	57891004012505	FLANGE BOLT M10X1.25X40	4
20-3	61871000012505	LOCKING NUT M10X1.25	4
20-4	7010028250G000	BATTERY COVER	1
20-5	6000382250G000	BATTERY	1
20-6	7020020250G000	LOWER BATTERY CUSHION	1
20-7	7020023250G000	BATTERY STRAP	1
20-8	7010032150G001	CHAIN DISC GUARD	1
20-9	57890801212505	BOLT STRAP M8X1.25X12	1
20-10	93000800000005	SPRING WASHER φ8	2
20-11	57890810012505	BOLT STRAP M8X1.25X100	1
20-12	7010006150G000	STEERING SHAFT BUSH	4
20-13	8010028150G100	SWING ARM COLLAR.	2
20-14	7010064150G000	REAR FENDER. L/R	2
20-15	57890601610005	FLANGE BOLT M6X16	10
20-16	61770600010005	NYLON LOCKING NUT M6	10
20-17	6000101150GH000R	REAR FENDER BRACKET. R	1
20-18	57870804512505	BOLT STRAP M8X1.25X45	2
20-19	61871200012505	LOCKING FLANGE NUT M12	2
20-20	7020008250G000	SWING ARM CUSHION BUSHING	2
20-21	57871206012505	FLANGE BOLT M12X1.25X60	2
20-22	2000042300GH00	RR, LOWER SWING ARM COMP.	1
20-23	6000101150GH000L	BRACKET. REAR FENDER. L	1
20-24	8020207150G000M	SENSOR	1

20-25	8020078250G000M	SENSOR BRACKET	1
20-26	57890601610005	BOLT-WASHER M6X16	1
20-27	61870600012505	LOCKING NUT M6	1
20-28	81800300810001	BOLT M3x8	2
20-29	61700300010002	NUT M3	2

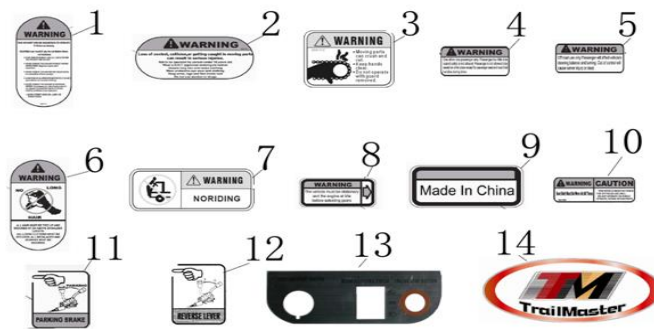
FIG. 21 WIRE HARNESS / ELECTRIC PARTS



WIRE HARNESS / ELECTRIC PARTS			
REF NO.	PART NO.	DESCRIPTION	QTY
21-1	7010027150G0B0	SWITCH PANEL COVER	1
21-2	4000038300G000	SPEEDOMETER WITH HI/LO	1
21-3	81800401610001	PAN SCREW M4x16	2
21-4	61870400010002	LOCKING NUT M4	2
21-5	6000160250G000	HEADLIGHT SWITCH	2
21-6	6000159250G000	ENGINE STOP BUTTON	1
21-7	6000020150G000	IGNITION START SWITCH	1
21-8	81800603010004	BOLT M6X30	2
21-9	61870600010005	LOCKING NUT M6	2
21-10	6000250250G000	REGULATE RECTIFIER COMP.	1
21-11	6000035250G000	STARTING RELAY	1
21-12	169.07.200	IGNITOR	1
21-13	6000038250G000	RESISTOR COMP 10M 10Ω	1
21-14	57870602510005	FLANGE BOLT M6X25	1
21-15	61870600010005	LOCKING NUT M6	1
21-16	169.07.310	IGNITION COIL	1

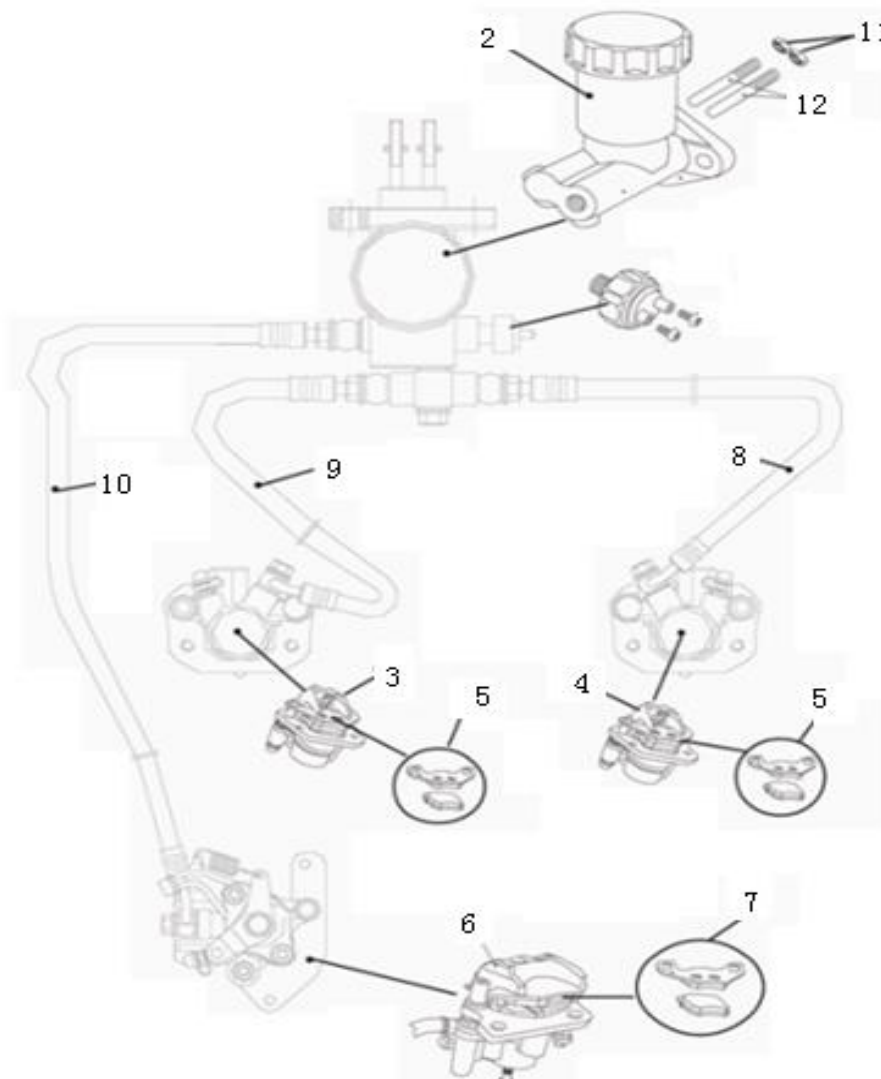
21-17	1403030300G002	WIRE HARNESS AUXILIARY	1
21-18	1403030300G001	WIRE HARNESS MAIN	1
21-19	12111208035	ZIP TIE 4X250	21
21-20	0001000250G000	FLAGPOLE HOLDER	1
21-21	0000100250G000	FLAGPOLE	1
21-22	81800402010001	BOLT M4X20	2
21-23	61870400010002	NUT M4	2
21-26	6000252250G000	BUZZER	1

FIG. 22 WARNING STICKERS



WARNING STICKERS			
REF NO.	PART NO.	DESCRIPTION	QTY
22-1	9072100150G000	LABEL.WARNING	1
22-2	9072200150G000	LABEL.WARNING	1
22-3	9072300050G000	LABEL.GEAR CASE	1
22-4	9072400050G000	LABEL.NO OVERLOADING	1
22-5	9072500050G000	LABEL. OFF ROAD ONLY	1
22-6	9072300150G000	LABEL.NO LONG HAIR	1
22-7	9072700050G000	LABEL.NO CLIMBING	1
22-8	9072400150G000	LABEL.WARNING	1
22-9	9072900050G000	LABEL.MADE IN CHINA	1
22-10	9073000050G000	LABEL.SEAT BELT	1
22-11	9072500150G000	LABEL. PARKING BRAKE	1
22-12	9072600150G000	LABEL.REVERSE LEVER	1
22-13	9070600150G0B0	LABEL. SWITCH PANEL COVER	1
22-14	9070100050G0B0	TRADEMAKE LABEL, TM	1

FIG. 23 BRAKE ASSY.



BRAKE ASSY.			
REF NO.	PART NO.	DESCRIPTION	QTY
23-2	6000076250G000	MASTER CYLINDER. BRAKE	1
23-3	6000095250G000	FRONT BRAKE CALIPER. R	1
23-4	6000028250G000	FRONT BRAKE CALIPER. L	1
23-5	7020016250G000	PAD SET. FRONT BRAKE CALIPER	2
23-6	6000229300G000	BRAKE CALIPER ASS'Y. RR	1
23-7	7020022150G000	PAD SET. REAR BRAKE CALIPER	1
23-8	6000089250G000	HOSE ASSY. L .BRAKE 34"	1
23-9	6000090250G000	HOSE ASSY. R .BRAKE 43"	1
23-10	6000091150G000	HOSE ASSY. RR .BRAKE 75"	1
23-11	61700800012505	PIN SPINDLE. BRAKE	2
23-12	8010081250G000	NUT M8	2