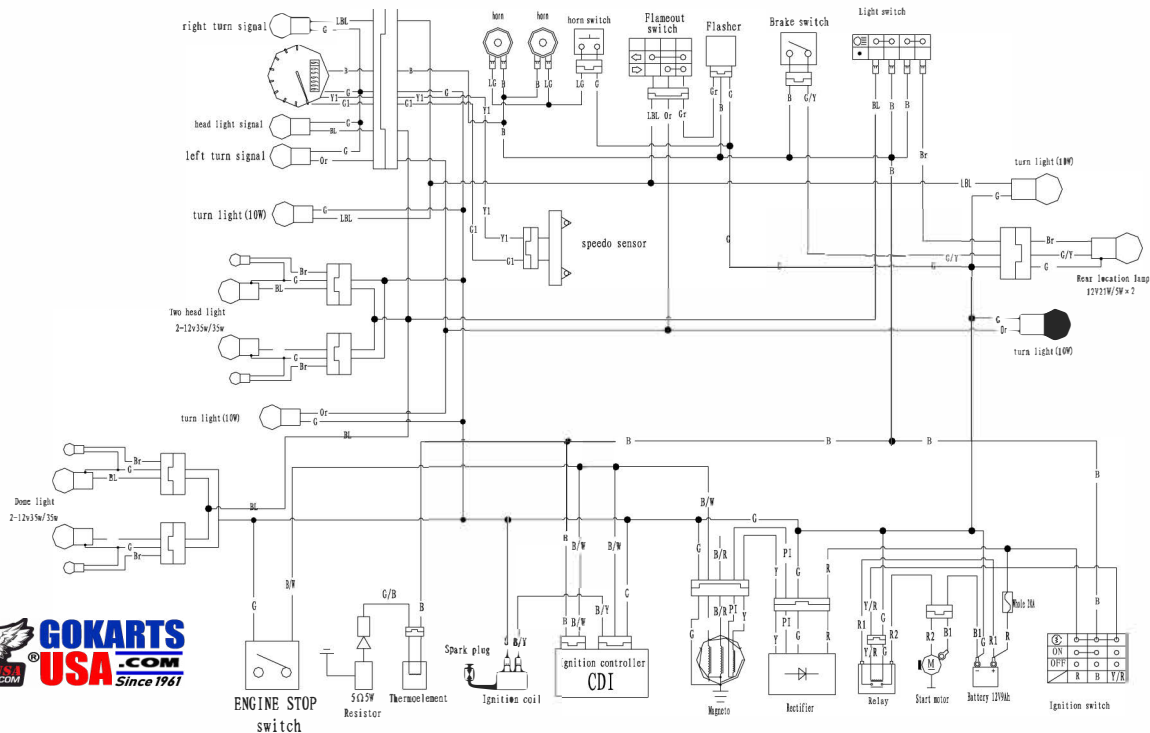


# 150RX Circuit diagram



**GOKARTS**  
**USA**  
COM  
Since 1961

1	2	3	4	5	6	7	8	9	10	11	12	13	14	15	16	17	18	19	20	21	22	23	24	25	26	27	28	29
RED	BLACK	GREEN	YELLOW	WHITE	BROWN	BLUE	ORANGE	LIGHT BLUE	LIGHT GREEN	PINK	YELLOW/WHITE	BLUE/WHITE	YELLOW/RED	BLACK/RED	BLUE/YELLOW	BLACK/YELLOW	GREEN/BLACK	LIGHT GREEN/RED	GREEN/YELLOW	BLACK/WHITE	RED/WHITE	BLACK/BROWN	BROWN/WHITE	GREEN/WHITE	DARK GREEN	PURPLE	RED/PURPLE	
R	B	G	Y	W	Br	BL	Or	Dr	LK	LG	Pk	T/W	BL/W	Y/R	Dr/R	BL/Y	Dr/Y	G/R	LK/R	Dr/Y	B/W	R/W	Dr/Br	Dr/W	Dr	P	Dr/BL	