
CLIPPER OFFICE TESTER OPERATING INSTRUCTIONS

1. Mount feed hopper on top of cleaner. The Hopper will slide into place just under the angled portion of the Hopper stop.
2. Select the (2) screens appropriate for the commodity to be cleaned/separated. Usually, two screens will already be in place in the Office Tester. First place the bottom screen in the lower angled slides, the blank portion of the screen should be towards the slide-in side. Place the independent bottom screen blank directly behind the bottom screen. Next, slide the top screen in the top slides. The spring hook should finally be positioned to hold both screens in place.
- 3 The upper screen should be just large enough to allow the good seed to pass through, scalping off large trash. The lower screen should hold up the good seed, sifting out dirt, small weed seeds, shrunken or undersized seeds and other small trash.
- 4 Remove the ribbed slide board located just above the spout, which discharges to the left when facing the hopper end of the cleaner. This will allow the bottom screen siftings to fall into the spout.
- 5 Open the hopper gate allowing seed to feed onto the top screen. Adjust the feed so the good seed falls through the first one-half of this screen.
- 6 Adjust the Blast Fan with the side Slide Plates to blow out lightweight trash. A few good seeds blown out with the trash indicate an appropriate air setting. The three-step pulleys can be adjusted to facilitate extra fan RPM

Maintenance

There are small oil holes in the following areas. Add a couple of drops of light weight oil every 50 hours of run time

Top of the two wood bearing that hold the bottom fan shaft

Top of the wood eccentric bearing that pushes the shoe back and forth

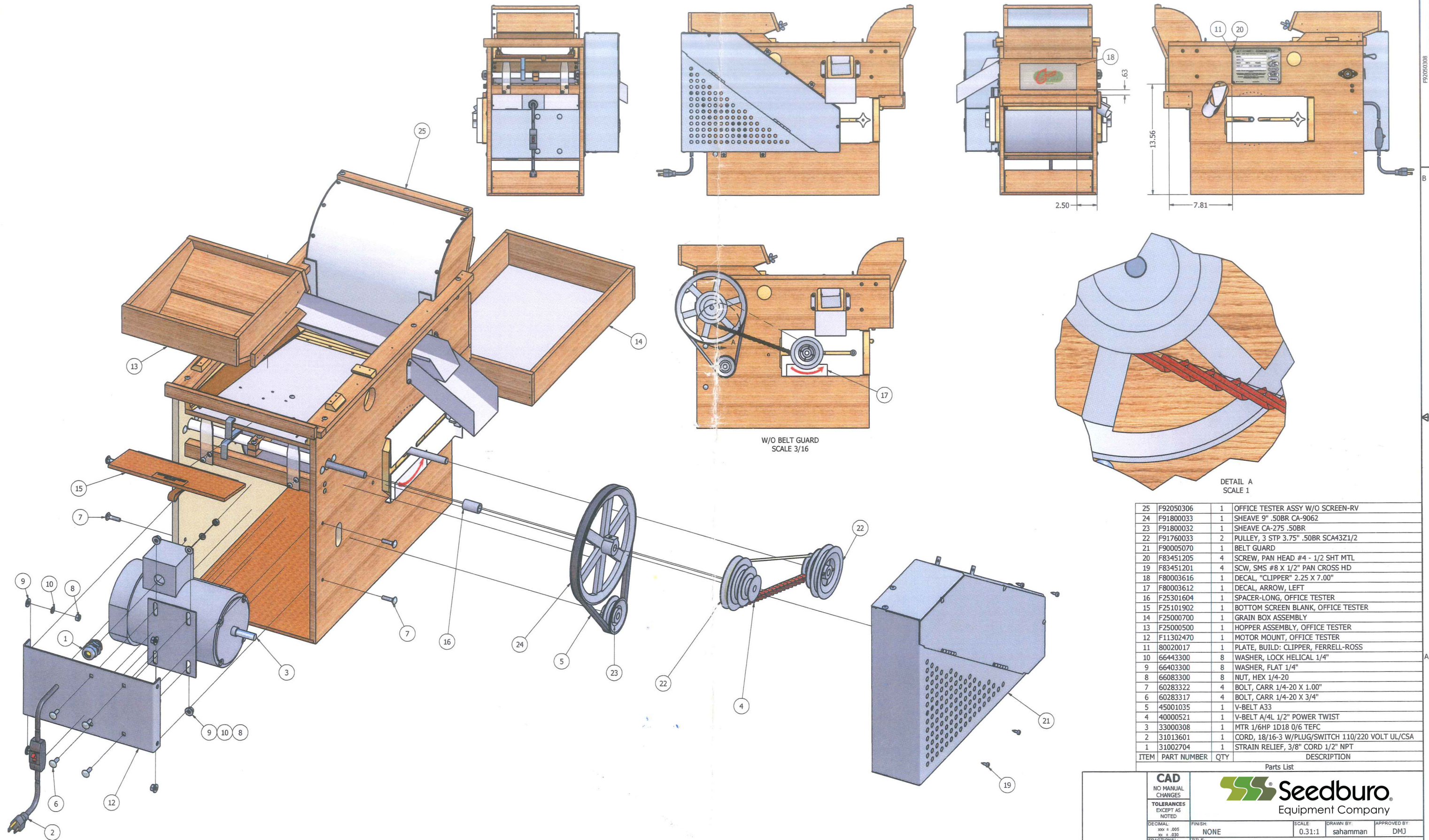
OPERATING SPECIFICATIONS

Fan: 1025 RPM at full capacity

Shoe: 536 RPM for drive shaft

Motor: 1725-RPM motor

REVISION HISTORY				
REV	ECN	DESCRIPTION	DATE	APPROVED
A	F080181	RELEASED	10/14/2008	SAH



W/O BELT GUARD
SCALE 3/16

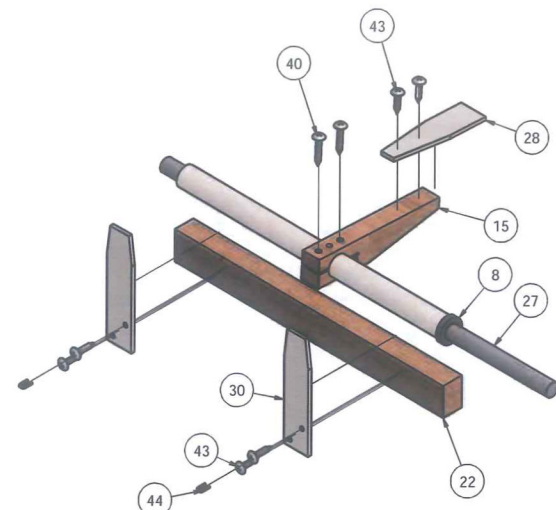
DETAIL A
SCALE 1

ITEM	PART NUMBER	QTY	DESCRIPTION
25	F92050306	1	OFFICE TESTER ASSY W/O SCREEN-RV
24	F91800033	1	SHEAVE 9" .50BR CA-9062
23	F91800032	1	SHEAVE CA-275 .50BR
22	F91760033	2	PULLEY, 3 STP 3.75" .50BR SCA43Z1/2
21	F90005070	1	BELT GUARD
20	F83451205	4	SCREW, PAN HEAD #4 - 1/2 SHT MTL
19	F83451201	4	SCW, SMS #8 X 1/2" PAN CROSS HD
18	F80003616	1	DECAL, "CLIPPER" 2.25 X 7.00"
17	F80003612	1	DECAL, ARROW, LEFT
16	F25301604	1	SPACER-LONG, OFFICE TESTER
15	F25101902	1	BOTTOM SCREEN BLANK, OFFICE TESTER
14	F25000700	1	GRAIN BOX ASSEMBLY
13	F25000500	1	HOPPER ASSEMBLY, OFFICE TESTER
12	F11302470	1	MOTOR MOUNT, OFFICE TESTER
11	80020017	1	PLATE, BUILD: CLIPPER, FERRELL-ROSS
10	66443300	8	WASHER, LOCK HELICAL 1/4"
9	66403300	8	WASHER, FLAT 1/4"
8	66083300	8	NUT, HEX 1/4-20
7	60283322	4	BOLT, CARR 1/4-20 X 1.00"
6	60283317	4	BOLT, CARR 1/4-20 X 3/4"
5	45001035	1	V-BELT A33
4	40000521	1	V-BELT A/4L 1/2" POWER TWIST
3	33000308	1	MTR 1/6HP 1D18 0/6 TEFC
2	31013601	1	CORD, 18/16-3 W/PLUG/SWITCH 110/220 VOLT UL/CSA
1	31002704	1	STRAIN RELIEF, 3/8" CORD 1/2" NPT

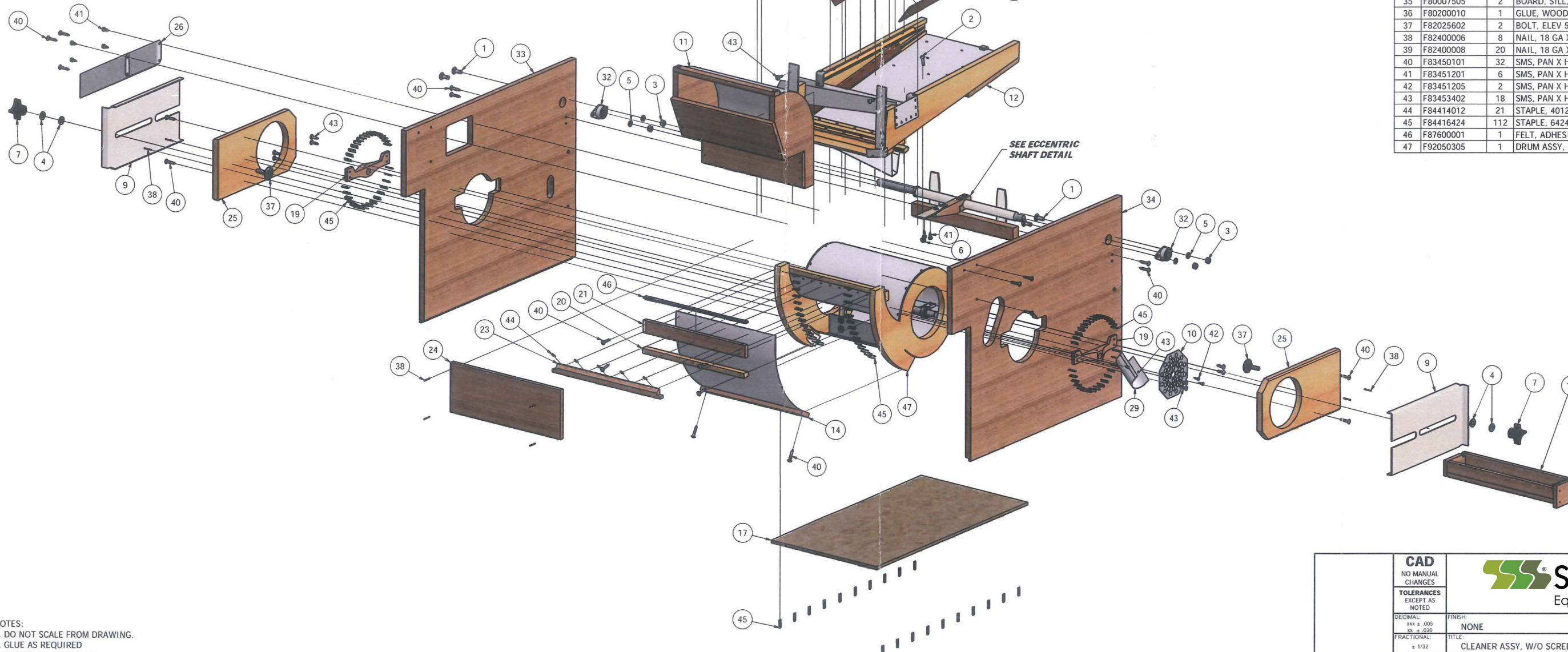
NOTES:
1. DO NOT SCALE FROM DRAWING.

CAD NO MANUAL CHANGES TOLERANCES EXCEPT AS NOTED			
DECIMAL: .xxx ± .005 or ± .000	FINISH: NONE	SCALE: 0.31:1	DRAWN BY: sahamman
FRACTIONAL: ± 1/32	TITLE: OFFICE TESTER - 60CY 115V	DATE: 10/13/2008	APPROVED BY: DMJ
ANGULAR: ± 1/2°	SIZE: D	PART NUMBER: F92050308	SHEET: 1 of 1

REVISION HISTORY				
REV	ECN	DESCRIPTION	DATE	APPROVED
A	F080181	REDRAWN IN INVENTOR	11/5/2008	SAH
B	F090213	ADDED (1) F11308913 & (2) F83451205	7/22/2009	SAH
C	F120065	F82025601 WAS F82025602	6/28/2012	DAD
D	F120141	.12 WAS FLUSH	12/12/2012	dmjohnson



ECCENTRIC SHAFT DETAIL
FROM FRONT SIDE PROJECTION
SCALE 3/8



ITEM	PART NUMBER	QTY	DESCRIPTION
1	60283317	4	BOLT, CARR 1/4-20 X 3/4"
2	62342617	1	SCW, MACH, PAN HD, 10-24 X 3/4"
3	66083300	4	NUT, HEX 1/4-20
4	66403800	4	WASHER, FLAT, TYPE A, 5/16"
5	66443300	4	WASHER, LOCK HELICAL 1/4"
6	67002600	1	NUT, HEX NYLOCK, 10-24
7	80006004	2	KNOB, 4 PRONG PLASTIC, 5/16-18 THRU
8	80014507	1	WASHER, THRUST BRONZE 0.5 X 0.879 X 0.188
9	F11308907	2	AIRSLIDE, FAN, OFFICE TESTER
10	F11308913	1	GUARD, FAN, OFFICE TESTER
11	F25000100	1	HOOD ASSY, OFFICE TESTER
12	F25000400	1	SHOE ASSY, OFFICE TESTER
13	F25000800	1	PENCIL BOX ASSEMBLY, OFFICE TESTER
14	F25001500	1	BREAST IRON ASSY, OFFICE TESTER
15	F25100600	1	PITMAN, OFFICE TESTER
16	F25101501	4	BOARD, HOPPER STOP, OFFICE TESTER
17	F25101901	1	FLOOR, OFFICE TESTER
18	F25102002	1	SILL ASSY, TOP GIRT, OFFICE TESTER
19	F25102400	2	BRIDGE TREE, FAN BEARING, OFFICE TESTER
20	F25102500	1	GUIDE, PENCIL BOX, OFFICE TESTER
21	F25102800	1	BOARD, BREAST IRON, OFFICE TESTER
22	F25102900	1	GIRT, FRONT, OFFICE TESTER
23	F25103000	1	SLIDE, PENCIL BOX, OFFICE TESTER
24	F25103600	1	BOARD, HOOD, REAR, OFFICE TESTER
25	F25300000	2	BOARD, AIR SLIDE, OFFICE TESTER
26	F25301201	1	EXTENSION, STRAW SPOUT, OFFICE TESTER
27	F25301601	1	SHAFT, ECCENTRIC, OFFICE TESTER
28	F25301701	1	HANGER, PITTMAN, OFFICE TESTER
29	F25302100	1	EXTENSION, SAND SPOUT, OFFICE TESTER
30	F25302503	2	HANGER, FRONT, SHOE, OFFICE TESTER
31	F25302504	2	FEED RUBBER, SHOE, OFFICE TESTER
32	F25302800	2	BEARING, FLANGE, .500"
33	F80007503	1	SIDE, MILL RH, OFFICE TESTER
34	F80007504	1	SIDE, MILL LH, OFFICE TESTER
35	F80007505	2	BOARD, SILL, TOP, OFFICE TESTER
36	F80200010	1	GLUE, WOOD
37	F82025602	2	BOLT, ELEV 5/16-18 X 1.25"
38	F82400006	8	NAIL, 18 GA X 3/4"
39	F82400008	20	NAIL, 18 GA X 1.00"
40	F83450101	32	SMS, PAN X HD, #8 X 1.00"
41	F83451201	6	SMS, PAN X HD, #8 X 1/2"
42	F83451205	2	SMS, PAN X HD, #4 X 1/2"
43	F83453402	18	SMS, PAN X HD, #8 X 3/4"
44	F84414012	21	STAPLE, 4012 CX, 3/8"
45	F84416424	112	STAPLE, 6424 CXR 3/4"
46	F87600001	1	FELT, ADHESIVE BACK, 1/8 X 3/4 X 11.06"
47	F92050305	1	DRUM ASSY, METAL, OFFICE TESTER

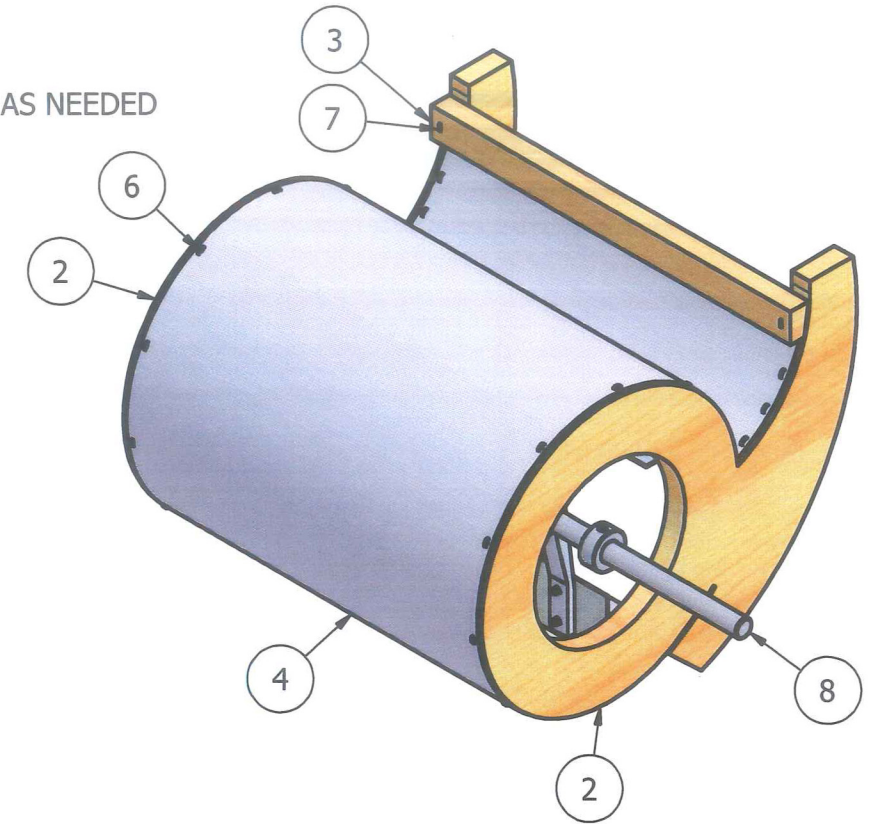
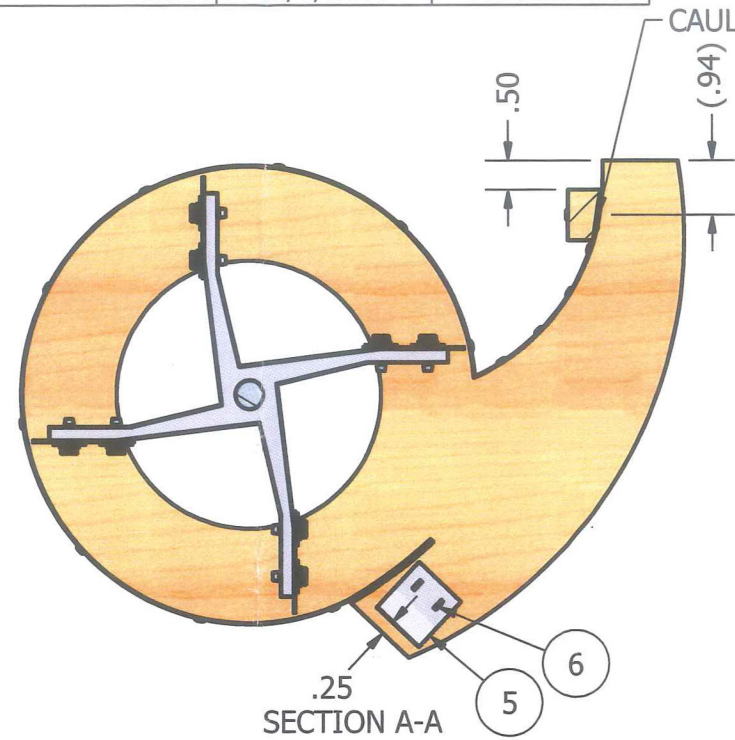
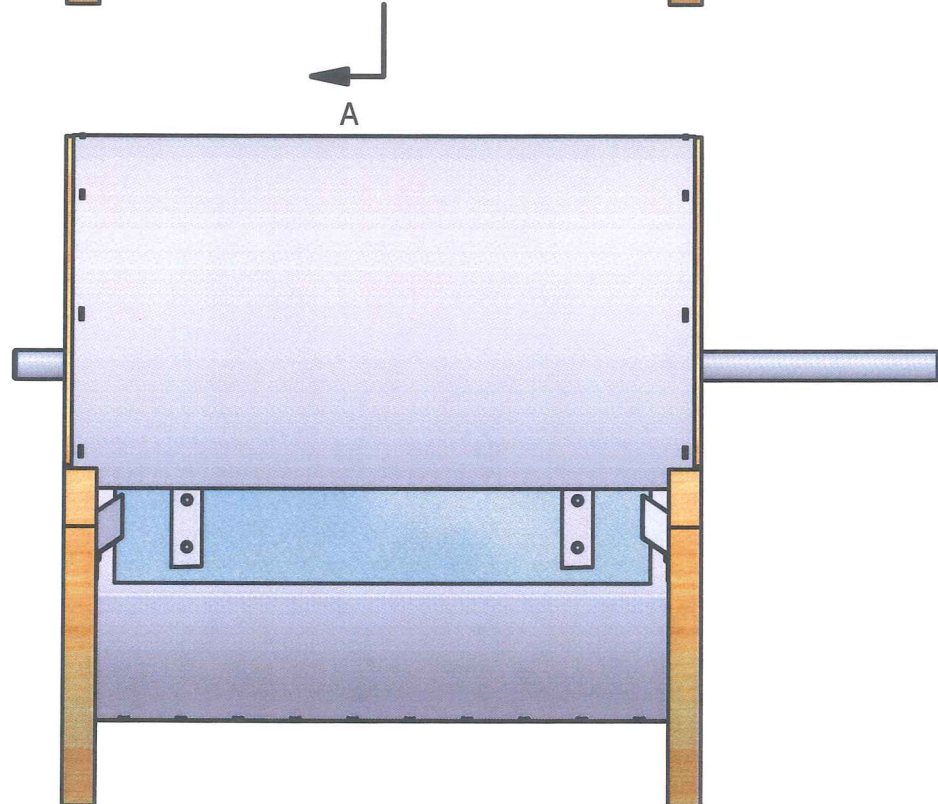
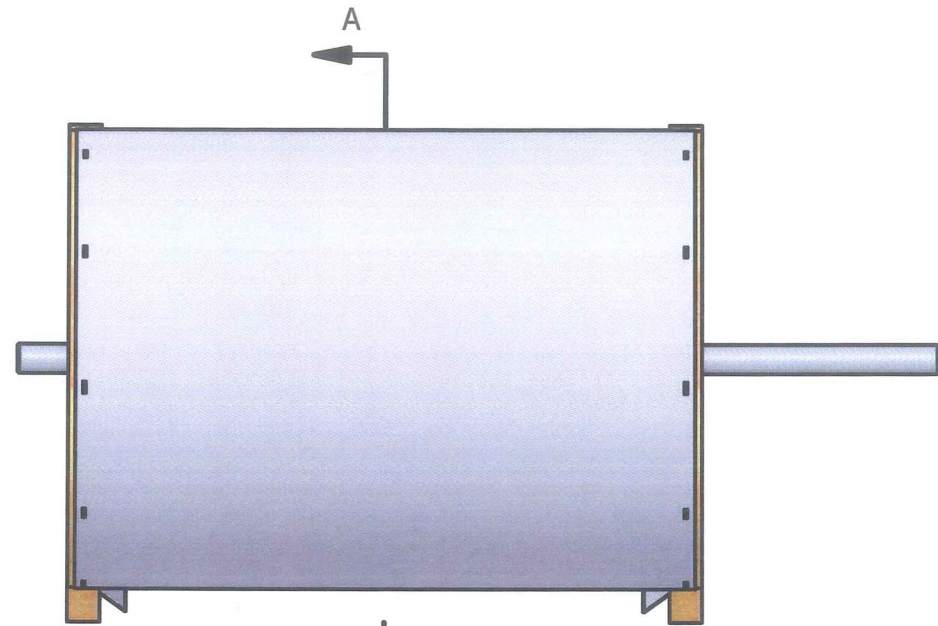
NOTES:
1. DO NOT SCALE FROM DRAWING.
2. GLUE AS REQUIRED
3. VARNISH AS REQUIRED

CAD NO MANUAL CHANGES		Seedburo Equipment Company	
TOLERANCES EXCEPT AS NOTED		SCALE: 1:4	DRAWN BY: sahamman
DECIMAL: xxx ± .005 xx ± .030	FINISH: NONE	DATE: 10/29/2008	APPROVED BY: DMJ
FRACTIONAL: ± 1/32	TITLE: CLEANER ASSY, W/O SCREEN & DRIVE, OFFICE TESTER	SIZE: D	SHEET: 2 of 2
ANGULAR: ± 1/2°	PART NUMBER: F92050306		

2

1

REVISION HISTORY				
REV	ECN	DESCRIPTION	DATE	APPROVED
A	F080181	REDRAWN IN INVENTOR	10/1/2008	sahamman



CAULK AS NEEDED

8	F92050304	1	FAN ASSY - METAL, OFFICE TESTER
7	F84416424	2	STAPLE-6424 CXR 3/4
6	F84414012	42	STAPLE-4012 CX 3/8
5	F25303000	2	DEFLECTOR, OFFICE TESTER
4	F25301500	1	DRUM IRON, OFFICE TESTER
3	F25103300	1	BEVEL GIRT BOARD, OFFICE TESTER
2	F25100200	2	FAN HOUSING END, OFFICE TESTER
1	93041585	1	CAULKING MATERIAL
ITEM	PART NUMBER	QTY	DESCRIPTION

Parts List

NOTES:
1. DO NOT SCALE FROM DRAWING.

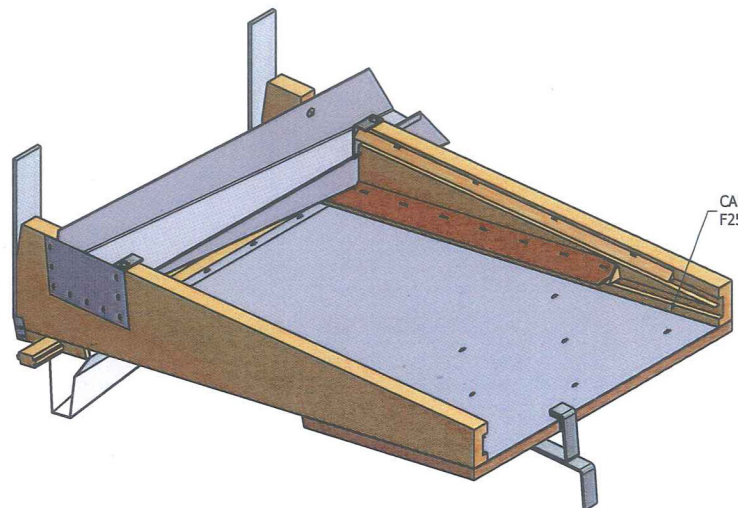
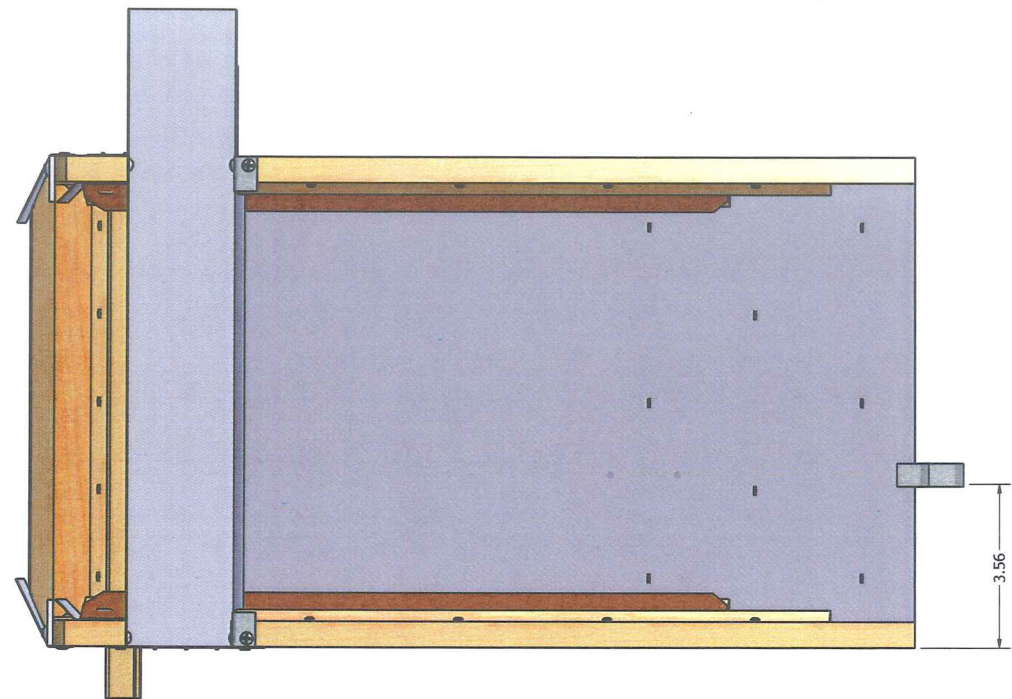
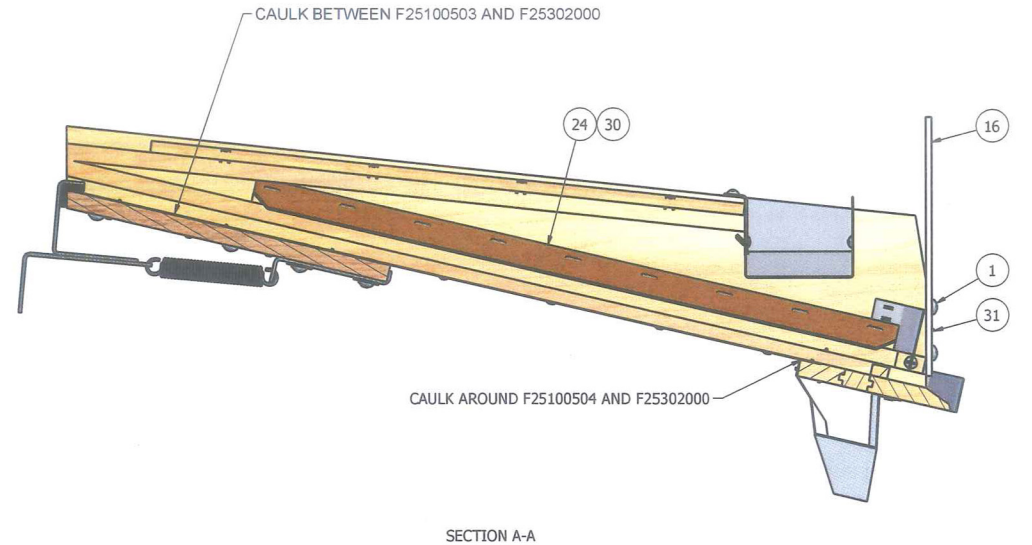
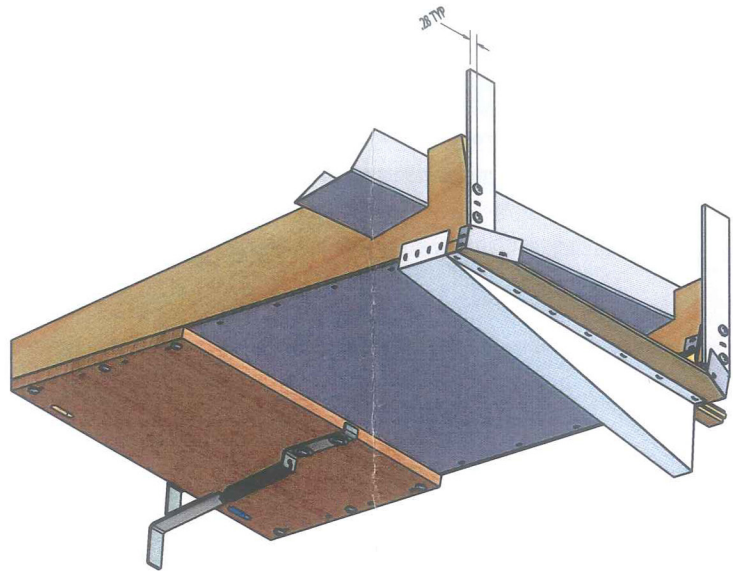
CAD NO MANUAL CHANGES TOLERANCES EXCEPT AS NOTED DECIMAL: xxx ± .005 xx ± .030 FRACTIONAL: ± 1/32 ANGULAR: ± 1/2°				
	FINISH: NONE	SCALE: 1:4	DRAWN BY: sahamman	APPROVED BY: DMJ
TITLE: DRUM ASSY-METAL, OFFICE TESTER				
DATE: 10/1/2008	SIZE: B	PART NUMBER: F92050305	SHEET: 1 of 1	

F92050305

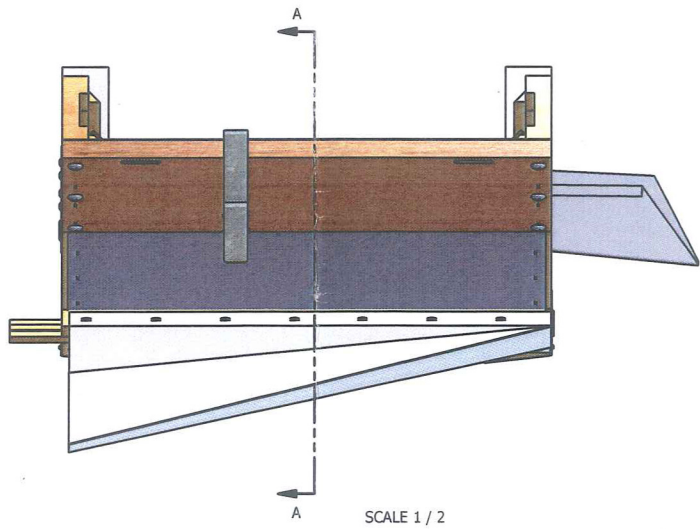
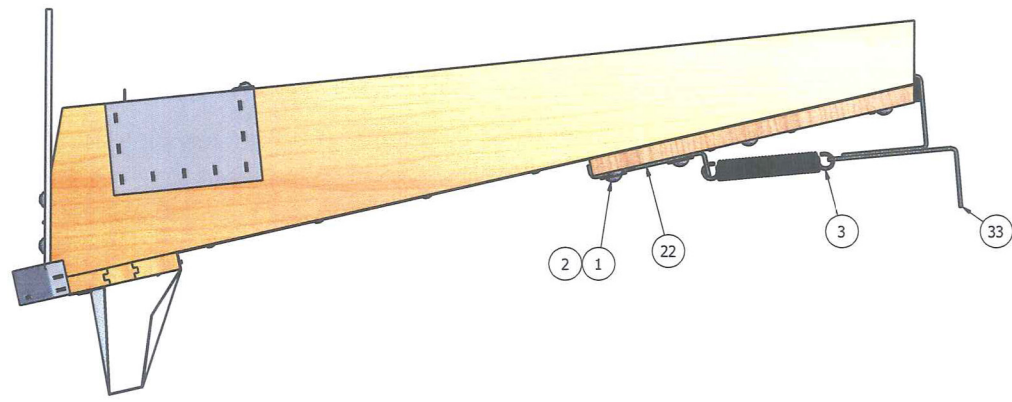
2

1

REVISION HISTORY				
REV	ECN	DESCRIPTION	DATE	APPROVED
A	F080181	REDRAWN IN INVENTOR	10/15/2008	SAH
B	F090034	CHG PART F83450100 WAS 66961812, REPLACED F25301101 WITH F25301100	2/6/2009	SAH
C	F110034	ADD F25302505(2) & F84413312(18)	2/16/2011	dmjohnson



CAULK BOTH SIDES BETWEEN F25302000, F25100501 AND F25100502

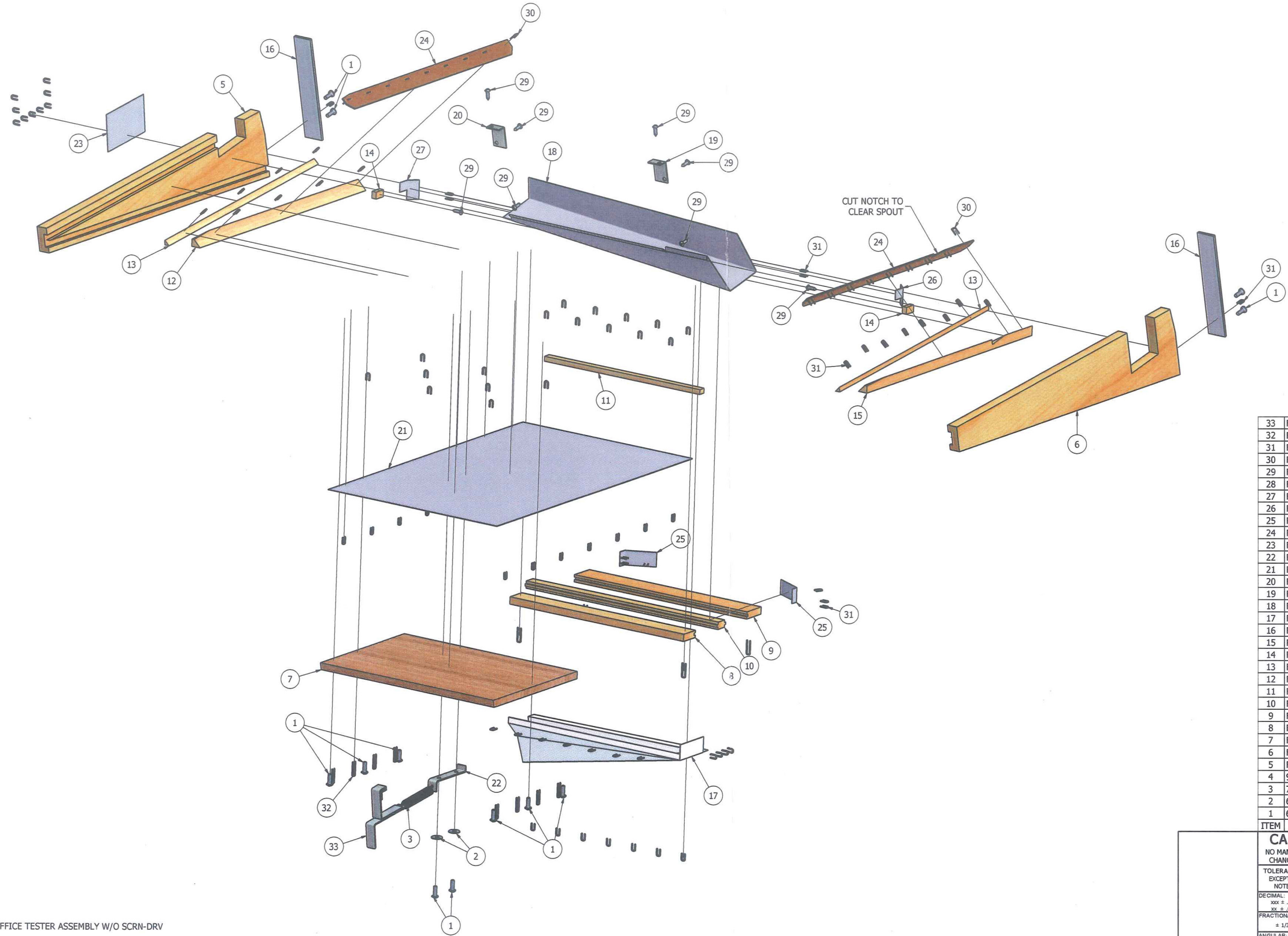


ITEM	PART NUMBER	QTY	DESCRIPTION
33	F90006589	1	SCREEN HOOK WLDMT, OFFICE TESTER
32	F84416424	12	STAPLE-6424 CXR 3/4
31	F84414012	87	STAPLE-4012 CX 3/8
30	F84413312	18	STAPLE, 5/16 X 3/8 X 22 GA
29	F83450100	8	SCREW, SMS PAN HEAD #6 X .5 PLT
28	F80200010	1	GLUE, WOOD
27	F25303002	1	DEFLECTOR UPPER LH, OFFICE TESTER
26	F25303001	1	DEFLECTOR UPPER RH, OFFICE TESTER
25	F25302600	2	DEFLECTOR LOWER, OFFICE TESTER
24	F25302505	2	BELTING, SCREENWAY, OFFICE TESTER
23	F25302400	1	SPOUT COVER, OFFICE TESTER
22	F25302001	1	HOOK BRKT
21	F25302000	1	SHOE BOTTOM METAL, OFFICE TESTER
20	F25301203	1	STOP LH, OFFICE TESTER
19	F25301202	1	STOP RH, OFFICE TESTER
18	F25301200	1	SPOUT, STRAW, OFFICE TESTER
17	F25301100	1	SAND SPOUT, OFFICE TESTER
16	F25300803	2	BACK SHOE HANGER, OFFICE TESTER
15	F25100511	1	BOTTOM SEAL RH, OFFICE TESTER
14	F25100510	2	GRAIN STOP SMALL, OFFICE TESTER
13	F25100509	2	TOP SEAL, OFFICE TESTER
12	F25100508	1	BOTTOM SEAL LH, OFFICE TESTER
11	F25100507	1	GRAIN STOP, OFFICE TESTER
10	F25100506	1	SLIDE BOARD, OFFICE TESTER
9	F25100505	1	SHOE EXTEN BOARD, OFFICE TESTER
8	F25100504	1	SPOUT BOARD, OFFICE TESTER
7	F25100503	1	SUPPORT BOARD, OFFICE TESTER
6	F25100502	1	SHOE SIDE RH, OFFICE TESTER
5	F25100501	1	SHOE SIDE LH, OFFICE TESTER
4	93041585	1	CAULKING MATERIAL
3	70008024	1	SPRING .375X2.375 SS
2	66402200	2	WASHER, FLAT #8
1	62342212	12	8 X 1/2 PAN HD MACH SCREW

NOTES:
1. DO NOT SCALE FROM DRAWING.
2. 1 EACH REQ'D PER F92050306 : OFFICE TESTER ASSEMBLY W/O SCR-N-DRV
3. GLUE AS REQUIRED

CAD NO MANUAL CHANGES				APPROVED BY: DMJ	
TOLERANCES EXCEPT AS NOTED				DRAWN BY: sahamman	
DECIMAL: xxx ± .005 xx ± .020	FINISH: NONE	SCALE: 1:2	TITLE: SHOE ASSY, OFFICE TESTER		
FRACTIONAL: ± 1/32	DATE: 9/24/2008	SIZE: D	PART NUMBER: F25000400	SHEET: 1 of 2	

REV	ECN	DESCRIPTION	DATE	APPROVED
A	F080181	REDRAWN IN INVENTOR	10/15/2008	SAH
B	F090034	CHG PART F83450100 WAS 66961812, REPLACED F25301101 WITH F25301100	2/6/2009	SAH
C	F110034	ADD F25302505(2) & F84413312(18)	2/16/2011	dmjohnson

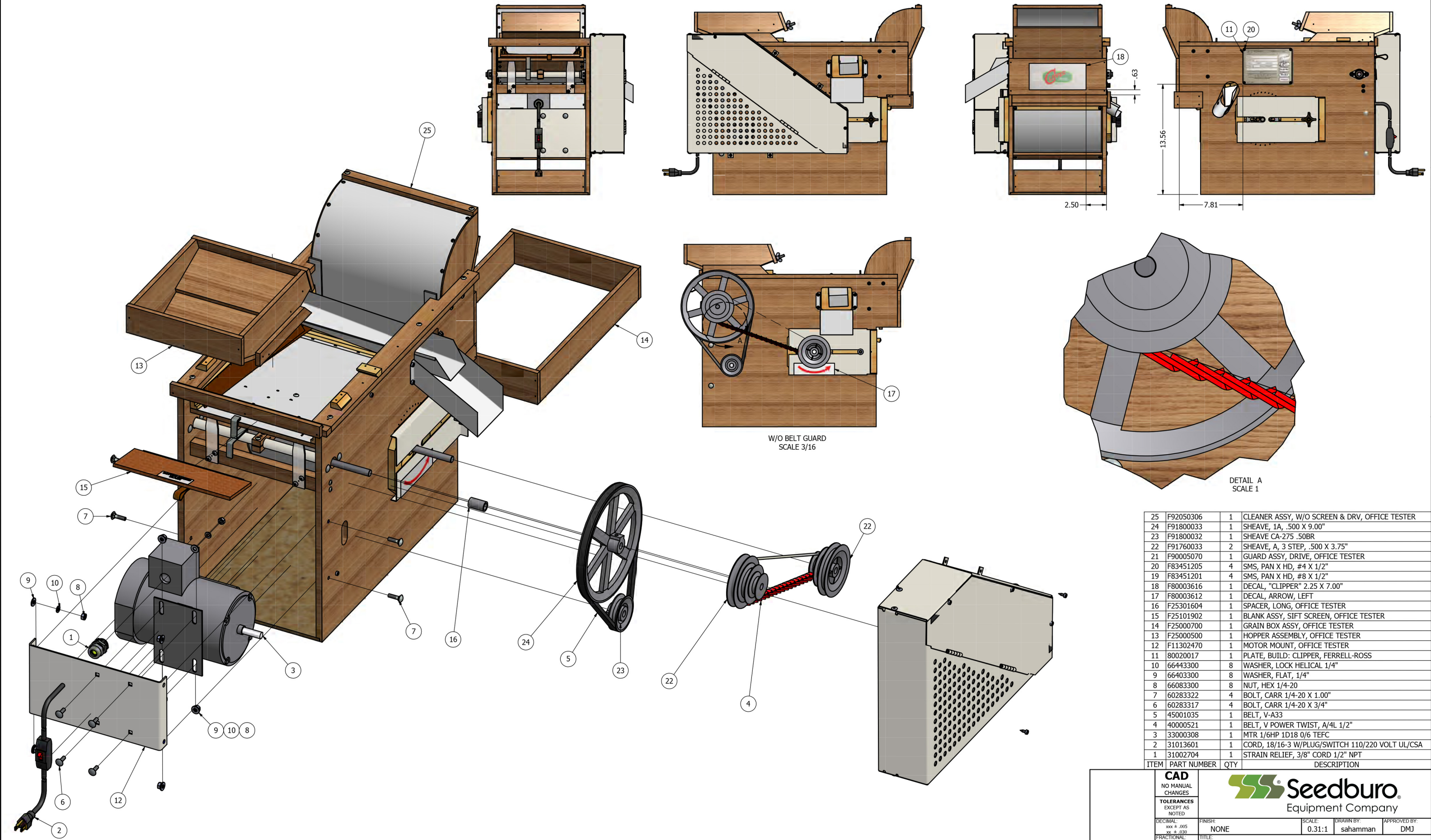


ITEM	PART NUMBER	QTY	DESCRIPTION
33	F90006589	1	SCREEN HOOK WLDMT, OFFICE TESTER
32	F84416424	12	STAPLE-6424 CXR 3/4
31	F84414012	87	STAPLE-4012 CX 3/8
30	F84413312	18	STAPLE, 5/16 X 3/8 X 22 GA
29	F83450100	8	SCREW, SMS PAN HEAD #6 X .5 PLT
28	F80200010	1	GLUE, WOOD
27	F25303002	1	DEFLECTOR UPPER LH, OFFICE TESTER
26	F25303001	1	DEFLECTOR UPPER RH, OFFICE TESTER
25	F25302600	2	DEFLECTOR LOWER, OFFICE TESTER
24	F25302505	2	BELTING, SCREENWAY, OFFICE TESTER
23	F25302400	1	SPOUT COVER, OFFICE TESTER
22	F25302001	1	HOOK BRKT
21	F25302000	1	SHOE BOTTOM METAL, OFFICE TESTER
20	F25301203	1	STOP LH, OFFICE TESTER
19	F25301202	1	STOP RH, OFFICE TESTER
18	F25301200	1	SPOUT, STRAW, OFFICE TESTER
17	F25301100	1	SAND SPOUT, OFFICE TESTER
16	F25300803	2	BACK SHOE HANGER, OFFICE TESTER
15	F25100511	1	BOTTOM SEAL RH, OFFICE TESTER
14	F25100510	2	GRAIN STOP SMALL, OFFICE TESTER
13	F25100509	2	TOP SEAL, OFFICE TESTER
12	F25100508	1	BOTTOM SEAL LH, OFFICE TESTER
11	F25100507	1	GRAIN STOP, OFFICE TESTER
10	F25100506	1	SLIDE BOARD, OFFICE TESTER
9	F25100505	1	SHOE EXTEN BOARD, OFFICE TESTER
8	F25100504	1	SPOUT BOARD, OFFICE TESTER
7	F25100503	1	SUPPORT BOARD, OFFICE TESTER
6	F25100502	1	SHOE SIDE RH, OFFICE TESTER
5	F25100501	1	SHOE SIDE LH, OFFICE TESTER
4	93041585	1	CAULKING MATERIAL
3	70008024	1	SPRING .375X2.375 SS
2	66402200	2	WASHER, FLAT #8
1	62342212	12	8 X1/2 PAN HD MACH SCREW

NOTES:
1. DO NOT SCALE FROM DRAWING.
2. 1 EACH REQ'D PER F92050306 : OFFICE TESTER ASSEMBLY W/O SCRNR-DRV
3. GLUE AS REQUIRED

CAD NO MANUAL CHANGES		Seedburo Equipment Company	
TOLERANCES EXCEPT AS NOTED		FINISH: NONE	APPROVED BY: DMJ
DECIMAL: xxx ± .005 xx ± .030	FRACTIONAL: ± 1/32	SCALE: 1:2	DRAWN BY: sahamman
ANGULAR: ± 1/2°	DATE: 9/24/2008	SIZE: D	PART NUMBER: F25000400
			SHEET: 2 of 2

REV	ECN	REVISION HISTORY	DATE	APPROVED
A	F080181	DESCRIPTION RELEASED	10/14/2008	SAH



25	F92050306	1	CLEANER ASSY, W/O SCREEN & DRV, OFFICE TESTER
24	F91800033	1	SHEAVE, 1A, .500 X 9.00"
23	F91800032	1	SHEAVE CA-275 .50BR
22	F91760033	2	SHEAVE, A, 3 STEP, .500 X 3.75"
21	F90005070	1	GUARD ASSY, DRIVE, OFFICE TESTER
20	F83451205	4	SMS, PAN X HD, #4 X 1/2"
19	F83451201	4	SMS, PAN X HD, #8 X 1/2"
18	F80003616	1	DECAL, "CLIPPER" 2.25 X 7.00"
17	F80003612	1	DECAL, ARROW, LEFT
16	F25301604	1	SPACER, LONG, OFFICE TESTER
15	F25101902	1	BLANK ASSY, SIFT SCREEN, OFFICE TESTER
14	F25000700	1	GRAIN BOX ASSY, OFFICE TESTER
13	F25000500	1	HOPPER ASSEMBLY, OFFICE TESTER
12	F11302470	1	MOTOR MOUNT, OFFICE TESTER
11	80020017	1	PLATE, BUILD: CLIPPER, FERRELL-ROSS
10	66443300	8	WASHER, LOCK HELICAL 1/4"
9	66403300	8	WASHER, FLAT, 1/4"
8	66083300	8	NUT, HEX 1/4-20
7	60283322	4	BOLT, CARR 1/4-20 X 1.00"
6	60283317	4	BOLT, CARR 1/4-20 X 3/4"
5	45001035	1	BELT, V-A33
4	40000521	1	BELT, V POWER TWIST, A/4L 1/2"
3	33000308	1	MTR 1/6HP 1D18 0/6 TEFC
2	31013601	1	CORD, 18/16-3 W/PLUG/SWITCH 110/220 VOLT UL/CSA
1	31002704	1	STRAIN RELIEF, 3/8" CORD 1/2" NPT
ITEM	PART NUMBER	QTY	DESCRIPTION

NOTES:
 1. DO NOT SCALE FROM DRAWING.

CAD NO MANUAL CHANGES			
TOLERANCES EXCEPT AS NOTED		DRAWN BY: sahamman APPROVED BY: DMJ	
DECIMAL: .xxx ± .005 .xx ± .030	FINISH: NONE	SCALE: 0.31:1	TITLE: CLEANER ASSY, 60 HZ 115V, OFFICE TESTER
FRACTIONAL: ± 1/32	DATE: 10/13/2008	SIZE: D	SHEET: 1 of 1
ANGULAR: ± 1/2	PART NUMBER: F92050308		