

The Clipper Eclipse 324



The Clipper Eclipse 324 is the first in a line of small cleaners designed to meet the low maintenance and easy cleanout requirements of today's seedsman. The Eclipse is built with the same care and craftsmanship as Clipper's larger precision cleaners.

The Clipper Eclipse 324 features a heavy-duty tubular steel frame, 13-ply marine grade plywood shoes, scotch ply hangers and a heavy-duty eccentric shoe drive.

Screens

The Eclipse 324 shoe has been designed with three 24 1/2" x 22 1/4" screens: one screen for the top and the other two for lower separation. Over 175 different sizes of perforated metal or wire cloth screens are available.

Eclipse 324 Commodity Flow

The commodity is fed into the hopper and is spread evenly across the full width of the top screen.

The product then moves across the top screen, which has openings larger than the product itself. The large foreign material is "scalped" off while the good product falls through the screen.

The bottom two screens are set up for split flow sifting. The bottom screen openings must be smaller than the commodity being cleaned. Trash, weed seeds and splits drop through the bottom screens while the good product passes over them. The bottom two screens can also be set up as a scalp/sift flow by removing the two-way splitter.

Next, the product is routed through a column of air from the bottom blast fan. This blast of air effectively removes any lightweight trash and dust that may have remained after screening.

Good clean product is discharged at the bottom of the air chamber.



2293 S. Mount Prospect Rd., Des Plaines IL 60018
Toll Free: 800-284-5779 / sales@seedburo.com / www.seedburo.com

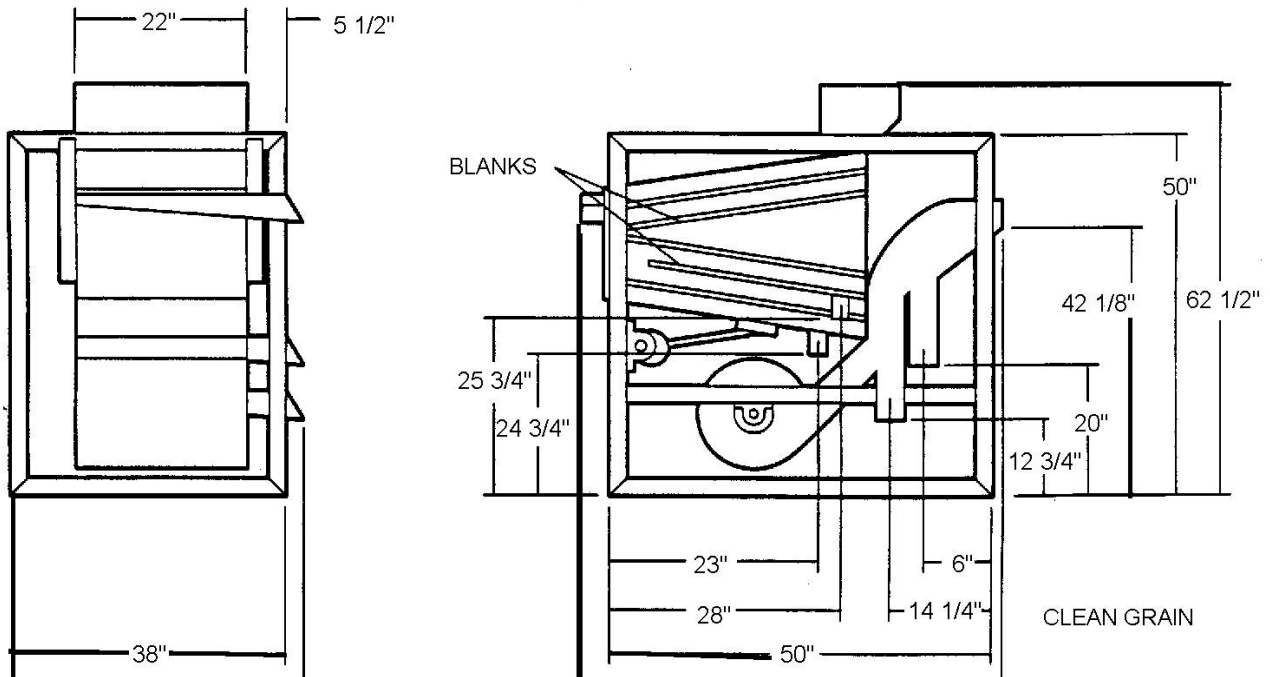
The Clipper Eclipse

Capacities

Commodity	Fast Clean	Precision Clean
Soybeans, wheat, corn	*80 BPH	*55 BPH
Rice, oats	*60 BPH	*35 BPH

* Note: capacities may vary depending on seed condition, moisture content, seed varieties, types, and volumes of contaminants to be separated and the percentage of foreign material acceptable in the final product. Capacities also vary depending on product flow through the cleaner. Capacities shown above are for the split flow arrangement.

DIMENSIONS (inches)



2293 S. Mount Prospect Rd., Des Plaines IL 60018

Toll Free: 800-284-5779

sales@seedburo.com / www.seedburo.com