



DSS2i

SMART STATION

Instruction Manual + Programming Guide

QUICK SETUP!

SCAN CODE ▶

*USE PHONE CAMERA



or visit www.vaulteksafe.com/support/

Thank You

At Vaultek® we stand behind our product and you our customer. On behalf of the entire team thank you for your purchase. We believe personal defense should be handled seriously and we're excited for you to experience the ultimate performance in smart-security.

Box Contents: Vaultek® Safe | Power Adapter | Steel Security Cable | Owner's Manual | Quick Start Guide
Backup Keys (2)

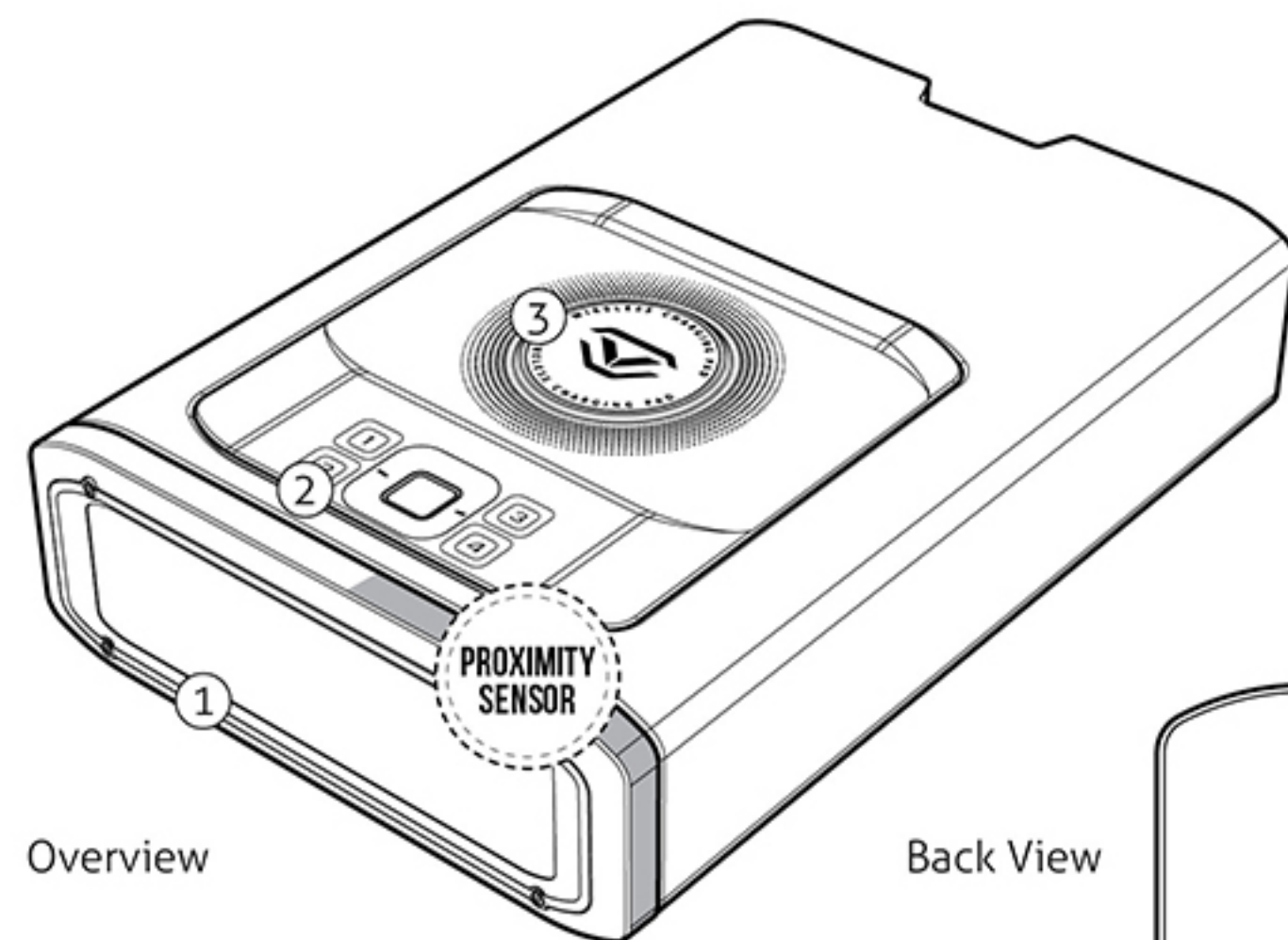
Table of Contents

01 / 02	Get to Know Your Vaultek® Safe	10	Programming Master Code
03	Warnings	11 / 14	Biometric Scanner
04	Product Registration	11	- Overview
05 / 06	LED Touch Screen	12	- Programming Admin Prints 1 and 2
05	- Show/Hide on Screen Features	13	- Enrolling Prints 3-20
05	- On Screen Editable Settings	14	- Deleting Fingerprints
06	- Status Indicators	14	- Low Success Rate
07 / 08	Hot Keys	15 / 16	Vaultek® Bluetooth® 2.0 App
07	- Adjust Sound	15	- Overview
07	- Adjust Interior LED Light Brightness	16	- Pairing
07	- Low Battery Warning	17	Nano Key 2.0 (Sold Separately)
08	- Toggle Remote Unlock by Phone	17	- Pairing
08	- Toggle Dual Entry Mode	17	- Enable/Disable
08	- Delete Fingerprints	17	- Unpairing
08	- Factory Reset	18	Customer Support / Limited Warranty
09	Steel Security Cable Use		

For setup, tutorials, and FAQs visit www.vaulteksafe.com/support/ and select your model.

Get to Know Your Vaultek® Safe

The Vaultek® Smart Station is a tough and rugged Bluetooth® access safe. Its solid structure and penetration resistant design makes it ideal for storing valuables such as firearms, jewelry, cash and other personal items. The safe combines high security with complete access control.



Overview

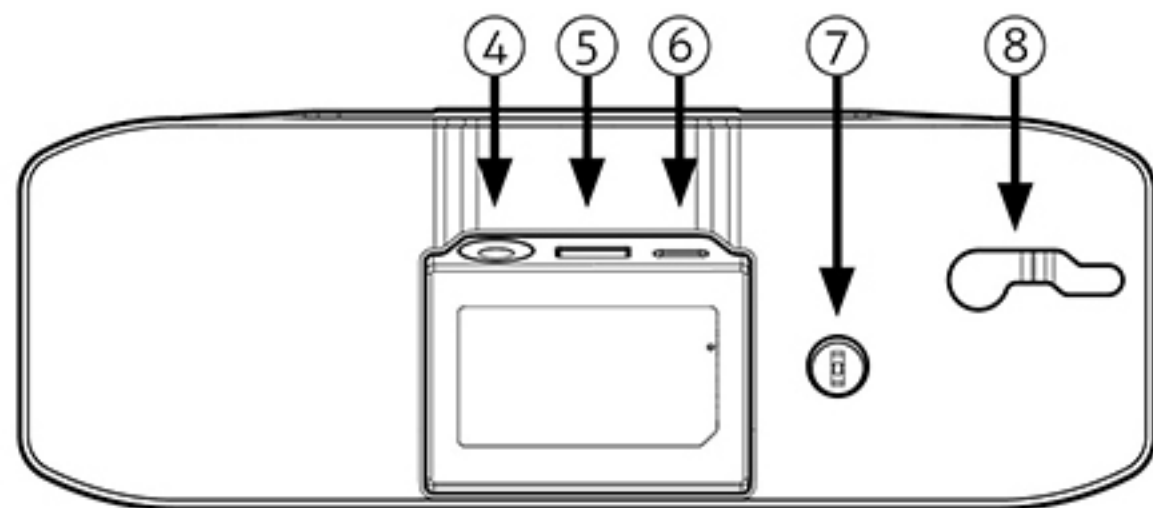
Back View

Quickly illuminate the keypad by touching the proximity sensor near the right edge of the drawer.

Plug-in Required

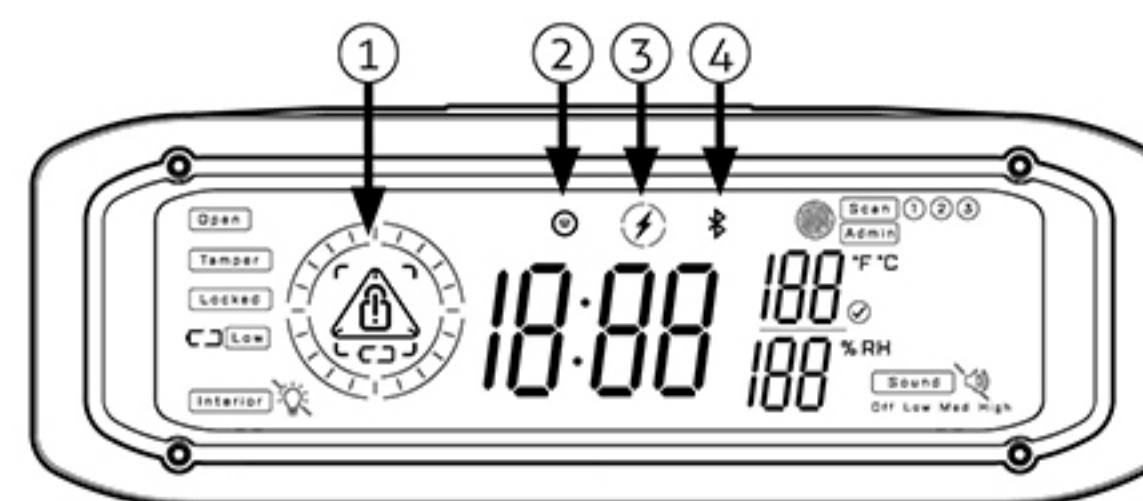
This safe needs to be plugged in continuously for normal function.

1. LED Touch Screen
2. Keypad and Scanner
3. Wireless Charging Pad
4. AC Adapter
5. Standard USB Port
6. USB-C Port
7. Manual Key Entry
8. Security Cable Release



Backup Power

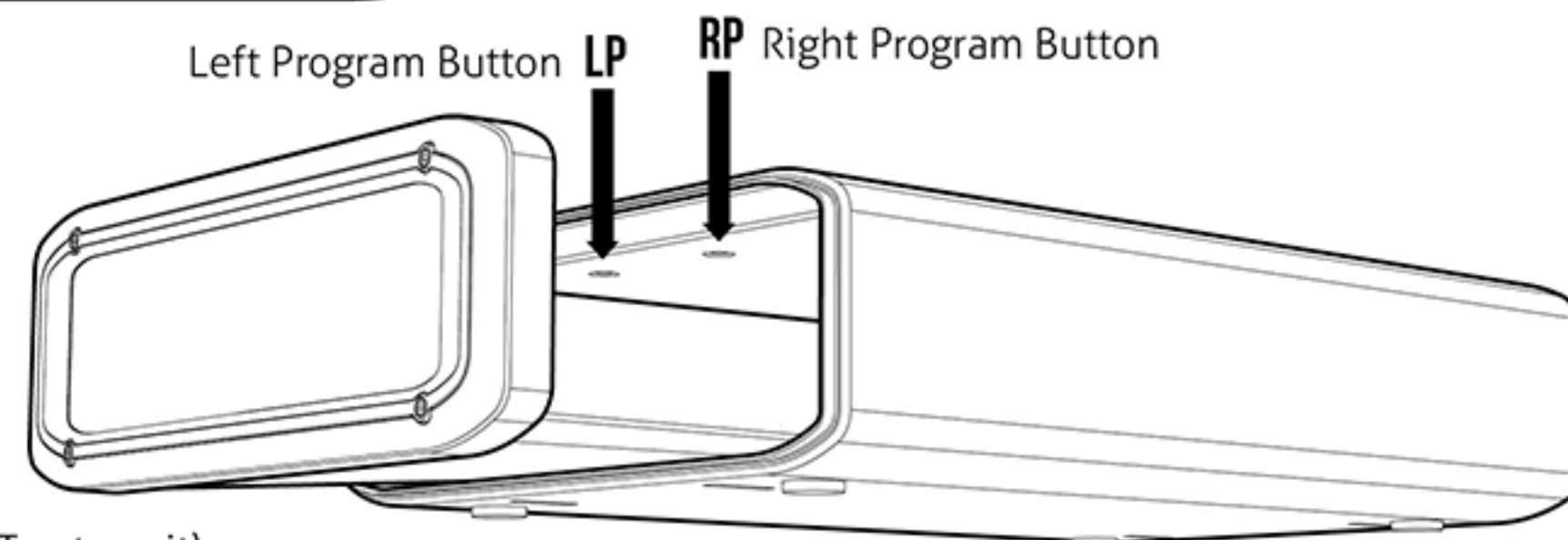
Backup power provides access to the safe when there is a power outage.



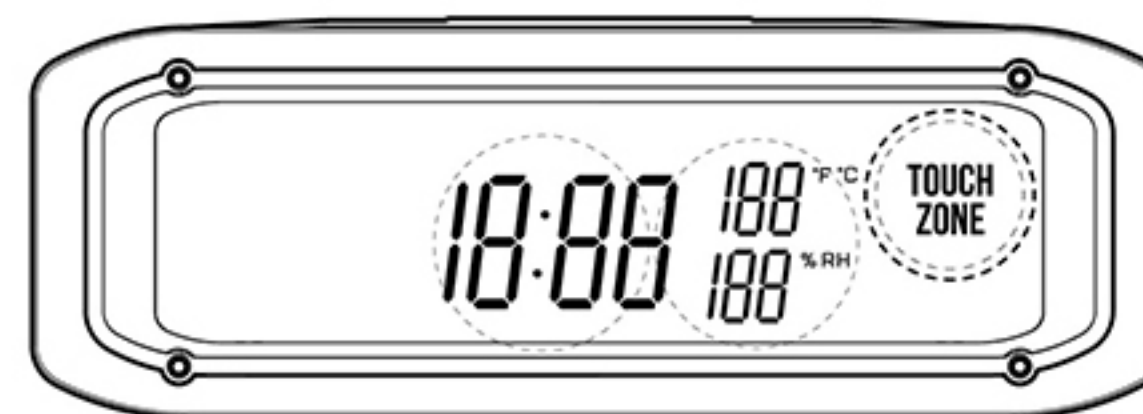
1. Battery Meter (Will display when power is disconnected)
2. Nano Key Status
3. Wireless Charging Indicator
4. Bluetooth Status

The clock is set when the safe is paired with the Bluetooth® 2.0 app.

Left Program Button LP Right Program Button RP



Show/Hide Screen Features (Tap to exit)



Show/hide the clock, temperature, or humidity display independently by tapping the feature directly on screen.

Use the touch zone to wake the safe as desired and quickly view safe status.

While the safe is awake, tap the touch zone to toggle through the screen brightness levels

Warnings

To prevent damage to your Vaultek® unit or injury to yourself or to others, read the following safety precautions before using this unit.

DO NOT PLACE OR STORE THE BACKUP KEYS INSIDE THE SAFE AT ANY TIME. IF THE BATTERY FAILS, YOU WILL BE UNABLE TO OPEN THE SAFE.

DO NOT expose to extreme heat or cold. Battery power may be affected.

DO NOT store loaded guns in this unit. Firearms are serious in nature and must be handled with respect. Store responsibly.

DO NOT get fingerprint sensor wet.

ALWAYS check to make sure door has latched when closing; lid requires a firm press and locks automatically.

Check page 17 for Nano Key 2.0 warnings.

DISCLAIMERS:

NEITHER SELLER NOR MANUFACTURER SHALL BE LIABLE FOR UNAUTHORIZED ACCESS, ANY INJURY, LOSS OR DAMAGE TO PERSONAL PROPERTY DIRECT OR CONSEQUENTIAL, ARISING OUT OF THE USE OF, OR THE INABILITY TO USE THE VAULTEK® SAFE.

THE USER SHALL DETERMINE THE SUITABILITY OF THE VAULTEK® SAFE BEFORE THE INTENDED USE AND USER ASSUMES ALL RISK AND LIABILITY WHATSOEVER IN CONNECTION THEREWITH. VAULTEK® SAFES ARE NOT INTENDED TO PROTECT AGAINST ENVIRONMENTAL HAZARDS INCLUDING FIRE AND WATER.

Be sure and follow all local and state firearm laws.

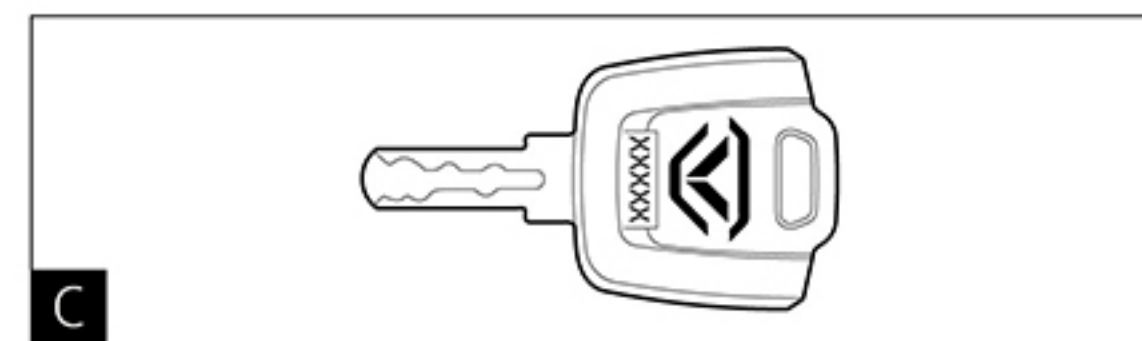
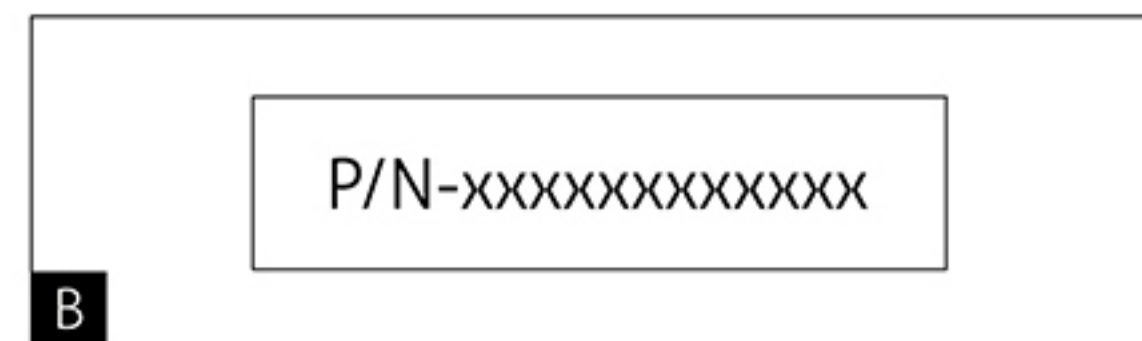
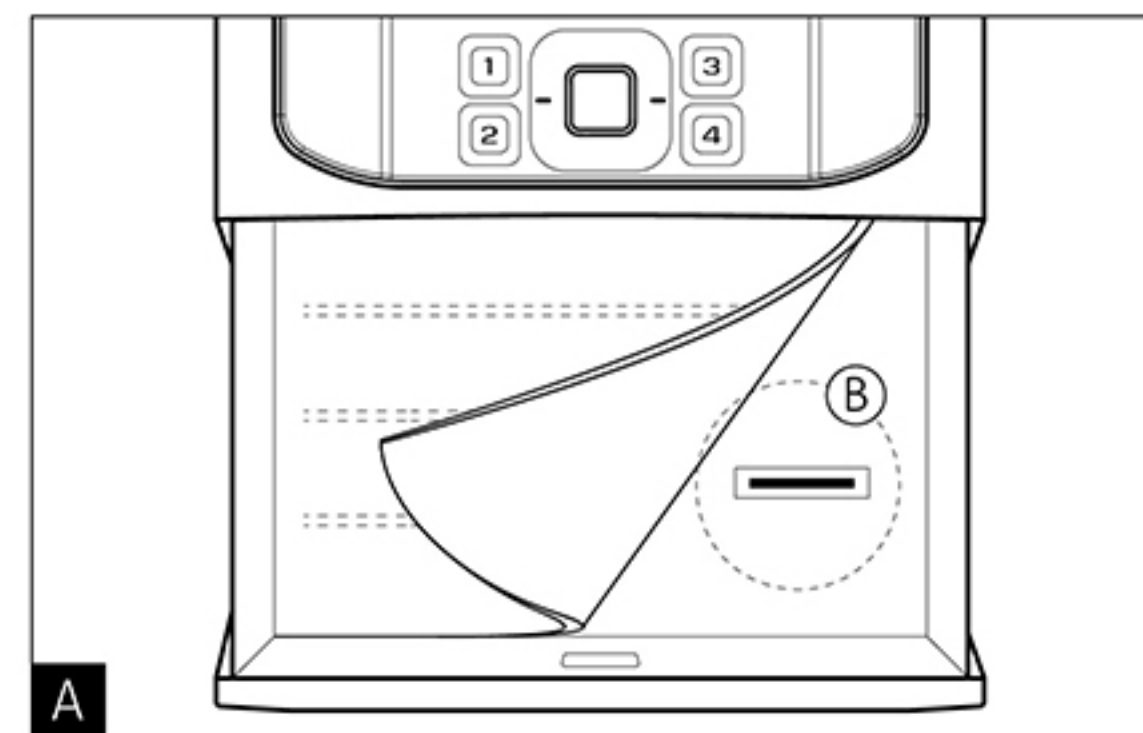
DO NOT operate a firearm without proper training and experience.

The Bluetooth® word mark and logos are registered trademarks owned by the Bluetooth SIG, Inc. and any use of such marks by Vaultek Safe, Inc. is under license.

Product Registration

Vaultek® strongly encourages you to register your safe as soon as you receive it. **Registration provides many benefits including three year warranty, technical support, and ordering replacement keys should you misplace them.** Your Vaultek® safe has a unique product number on the inside of the battery door and a 5 or 6 digit ID number engraved on the keys. You will need these numbers to register your safe.

- 1 Locate your product number. It is printed on the first page of your user manual and under the bottom pad inside the safe drawer (Figure A/B).
- 2 Find your 5 or 6 digit ID number engraved on the keys (Figure C).
- 3 Please visit the Vaultek® website at vaulteksafe.com and click Support/Product Registration.
- 4 Enter the required information in the form and click submit.



For setup, tutorials, and FAQs visit www.vaulteksafe.com/support/ and select your model.

LED Touch Screen

Interactive touch screen has customizable display options and provides visual feedback for the safe.

Tip! The clock is set when the safe is paired with the Bluetooth® 2.0 app.



LED Touch Screen: Show/Hide on Screen Features

Show/hide the clock or temperature/humidity display independently by tapping the feature directly on screen.

Use the touch zone to wake the safe as desired and quickly view safe status.

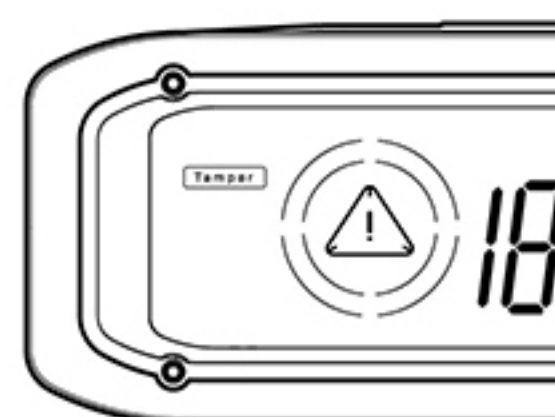
While the safe is awake, tap the touch zone to toggle through the screen brightness levels.

LED Touch Screen: On Screen Editable Settings

You can adjust the sound, interior light brightness, toggle Bluetooth, toggle Nano Key, and change the temperature reading to Celsius or Fahrenheit all from the touch screen.

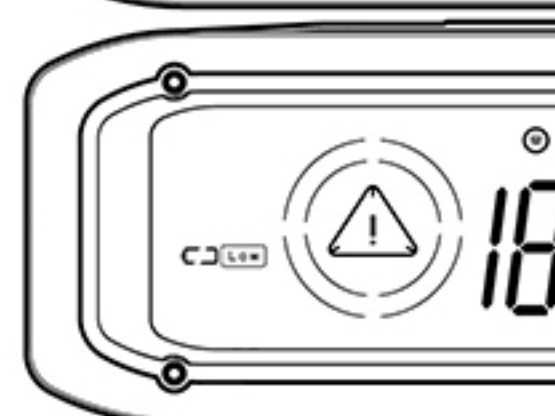
- 1 Tap the Left Program Button. The keypad will start flashing RED indicating you can adjust the settings from the touch screen.
- 2 On the safes screen, tap the icon you want to adjust.
- 3 Once adjusted, tap the Left Program Button to exit the screen settings.

LED Touch Screen: Status Indicators



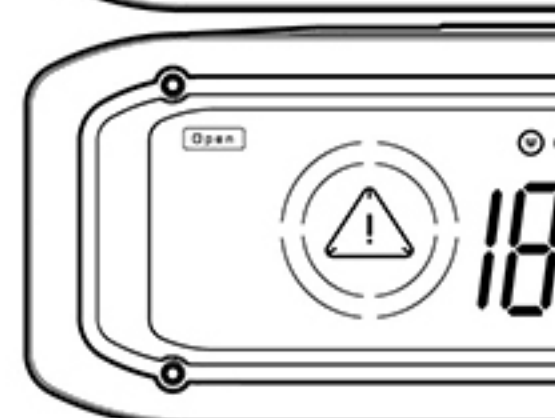
Tamper Indicator

The safe has been tampered with. The safe considers an incorrect keypad entry and unauthorized fingerprint scan (biometric model only) as tampering. You can reset the tamper detection by opening the safe through one of the authorized entry points.



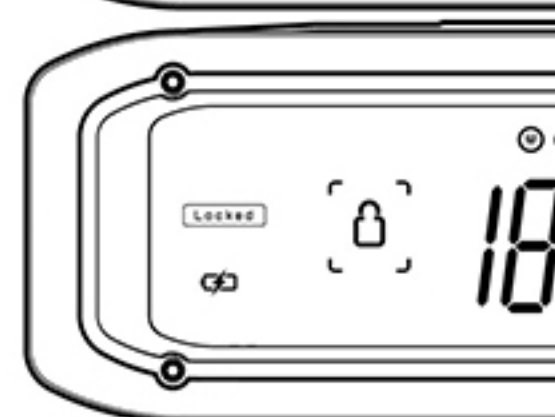
Low Battery Warning

Your safe features a low battery warning that will sound when the safe is low in battery, and will sound continually every 8 minutes until the battery dies.



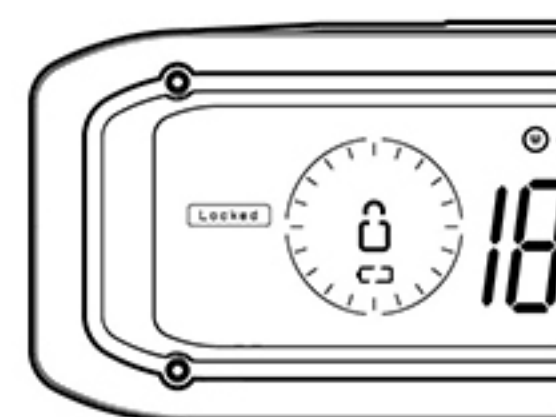
Open Indicator

Indicates that the drawer is left open.



Locked Indicator

(Plugged in)
Indicates that the drawer is locked and the safe is plugged in.

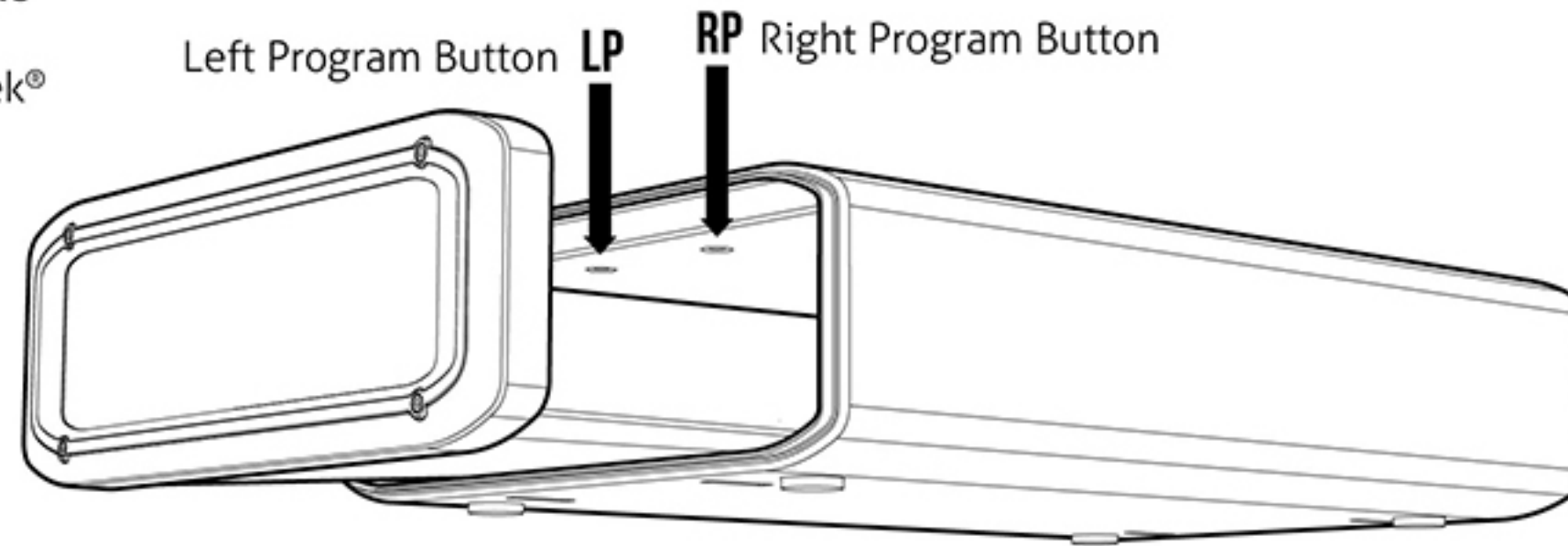


Locked Indicator

(Unplugged)
Indicates that the drawer is locked and shows the backup battery power level.

Hot Keys

Your safe has a list of available settings that can be changed from either the safe or Vaultek® Bluetooth 2.0 app.



Adjust Sound (Medium pitch by default)

Toggle between four different sound settings. High pitch, Medium pitch, Low pitch, or OFF. To toggle the setting tap the "Left Program Button". All the keys will be flashing RED. On the touch screen tap "Sound" to toggle between the sound options. Once you picked your preferred setting tap the "Left Program Button" to exit the screen settings.

Adjust Interior LED Light Brightness (50% by default)

Toggle between five different brightness settings. 100% brightness, 75%, 50%, 25%, and OFF. To toggle the brightness tap the "Left Program Button". All the keys will start flashing RED. On the touch screen tap "Interior" to toggle between the brightness options. Once you picked your preferred setting tap the "Left Program Button" to exit the screen settings.

Low Battery Warning (On by default)

Your safe features a low battery warning that will sound when the safe is low in battery, and will sound continually every 8 minutes until the battery dies. To toggle press and hold "Right Program Button" and the '3' key together for 3 seconds. The keys will flash GREEN indicating the low battery warning is ON or RED indicating that it is OFF.

Toggle Remote Unlock by Phone (OFF by default)

The unlock slider to open the safe with the phone app is OFF by default and will be grayed out. To toggle the unlock slider ON, press and hold the "Left Program Button" and keys '1' and '4' together for 3 seconds. The keypad will flash GREEN to turn the unlock slider ON or RED to indicate the unlock slider is OFF.

Toggle Dual Entry Mode (OFF by default)

Requires input of master code and enrolled fingerprint or vice versa to open safe. To toggle ON/OFF press and hold the "Right Program Button" and the '2' key together for 3 seconds. If the keypad flashes RED the feature is OFF, if the keypad flashes GREEN the feature is ON. This mode requires that at least one fingerprint be programmed in the safe.

Delete Fingerprints

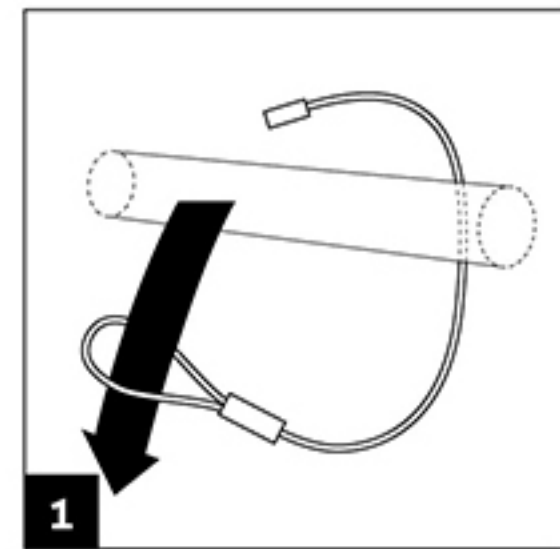
Individual fingerprints can not be deleted from the keypad on the safe. Following this procedure will erase all of the fingerprints including both administrative fingerprints. This procedure will not affect the keypad master code. If you wish to delete individual fingerprints, you must use the Vaultek® Bluetooth® 2.0 app. Press and hold the "Right Program Button" and '1' key until all the keys (1-4) light up RED and enter your master code. If the code is correct, all the numbers on the keypad will blink GREEN and beep indicating deletion of all the fingerprints.

Factory Reset

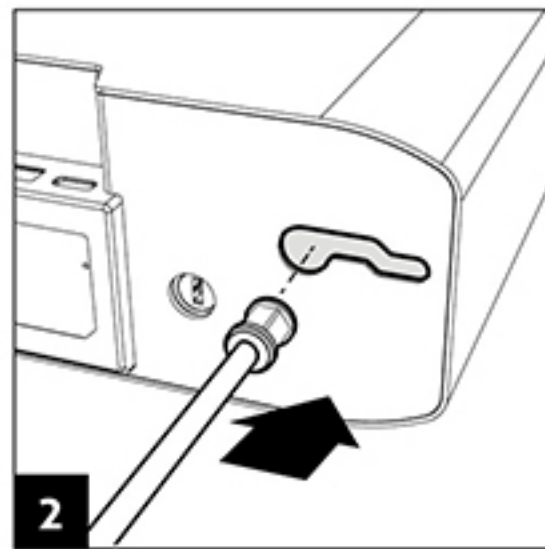
The Factory Reset erases all programmed information and restores the safe to its default settings. This includes removing any enrolled fingerprints and resetting the master code to 1-2-3-4. The safe will need to be reconfigured again to work with the Vaultek® Bluetooth® 2.0 app. Before you perform a Factory Reset make sure the safe is plugged in. To perform a factory reset, press and hold "Left Program Button" and "Right Program Button" together until the keypad flashes GREEN and the safe restarts.

Steel Security Cable Use

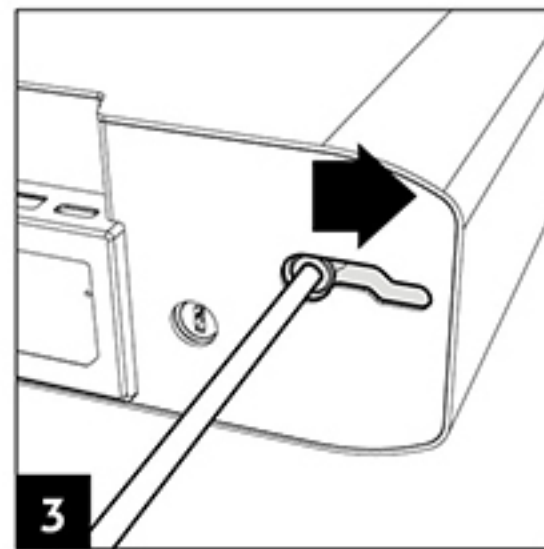
Included is a security cable to attach your safe to larger stationary objects.



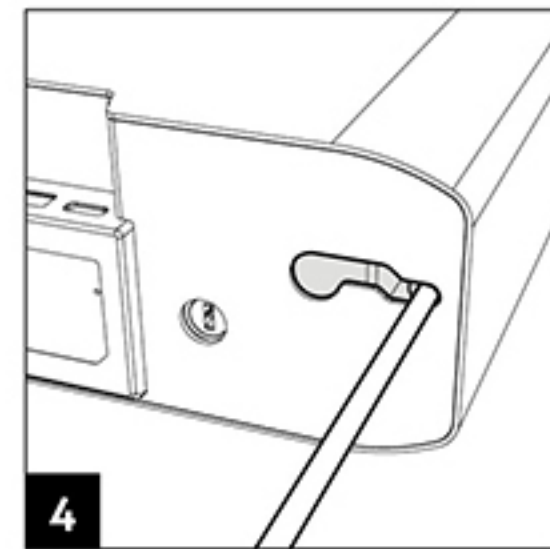
1 Loop the security cable around a secured object. Run the end of the cable through the eye of the other end and pull tight around the object.



2 Open safe drawer, and insert the clamped end of the security cable into the rear slot.



3 Slide the cable end all the way to the opposite side.



4 Shut the safe drawer to lock the security cable in place.

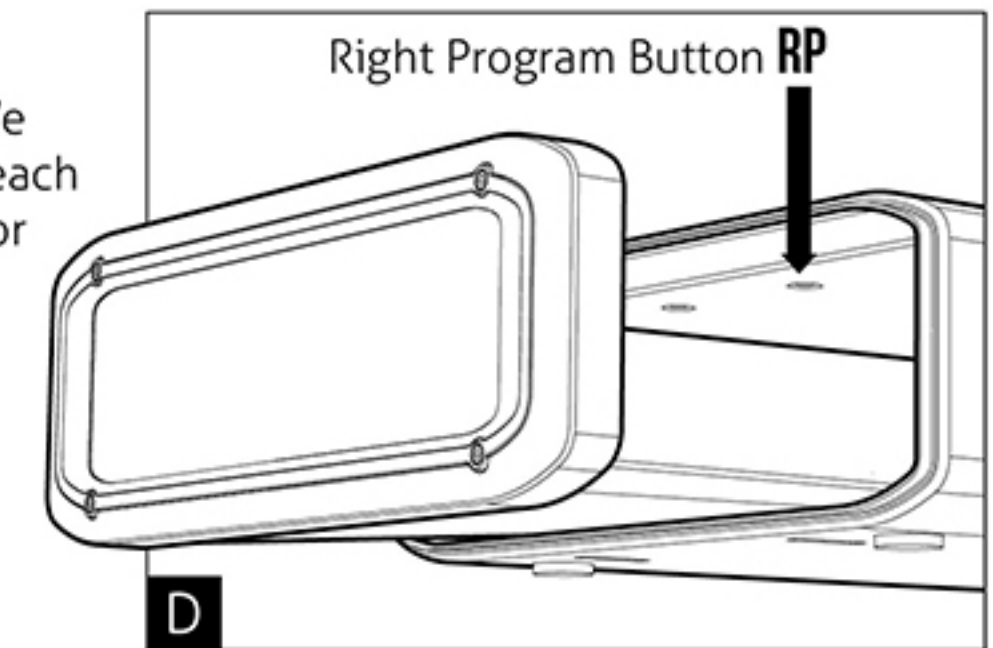
Tip! The security cable can only be inserted and removed while the safe drawer is open.

Programming Master Code

First time users should change the default code as soon as possible to prevent unauthorized access to your safe.

Programming Tips!

- Your code can be a minimum of 4 and a maximum of 8 digits. We recommend a code 6 to 8 digits in length using at least one of each key to make it more difficult for someone to guess your code. For your security, the safe will time out and sleep for 4 minutes if 6 incorrect entries are made.
- Two keys cannot be pressed simultaneously.
- Programming a new code will overwrite your previous code.
- Default master code is 1-2-3-4 on the keypad.



- 1** Open the safe. With the safe open, press and hold the "Right Program Button" (3 seconds) (Figure D) until all keys (1-4) light up RED and let go.
- 2** Enter your NEW master code.
- 3** Immediately press and hold the "Right Program Button" a second time (3 seconds) until all keys (1-4) light up RED and let go.
- 4** Enter your NEW master code a second time.
- 5** Immediately press and hold the "Right Program Button" a third time (3 seconds) until the safe beeps and let go. The keypad will flash GREEN if successful. You can test the code to confirm the change was successful.

Troubleshooting! If you make a mistake and the new code will not work, simply start over with step 1.

For setup, tutorials, and FAQs visit www.vaulteksafe.com/support/ and select your model.

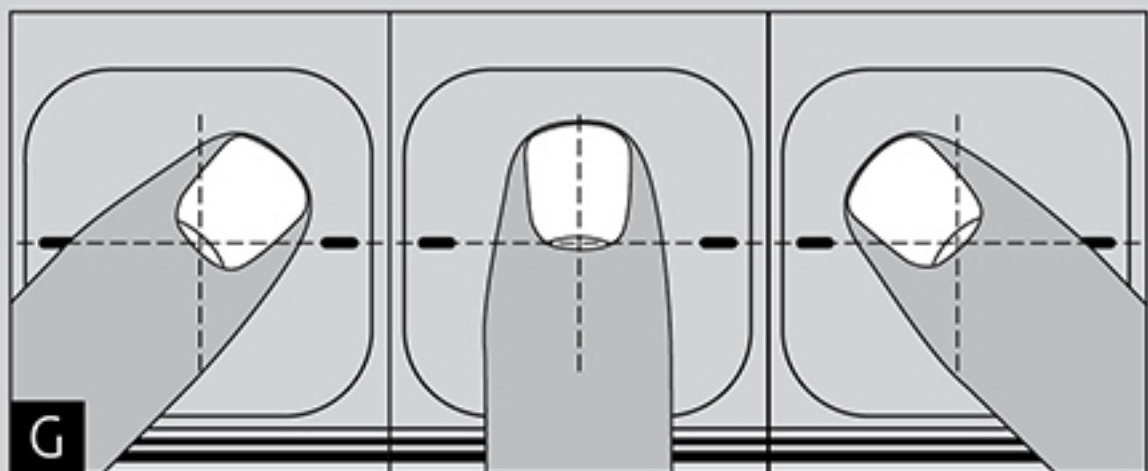
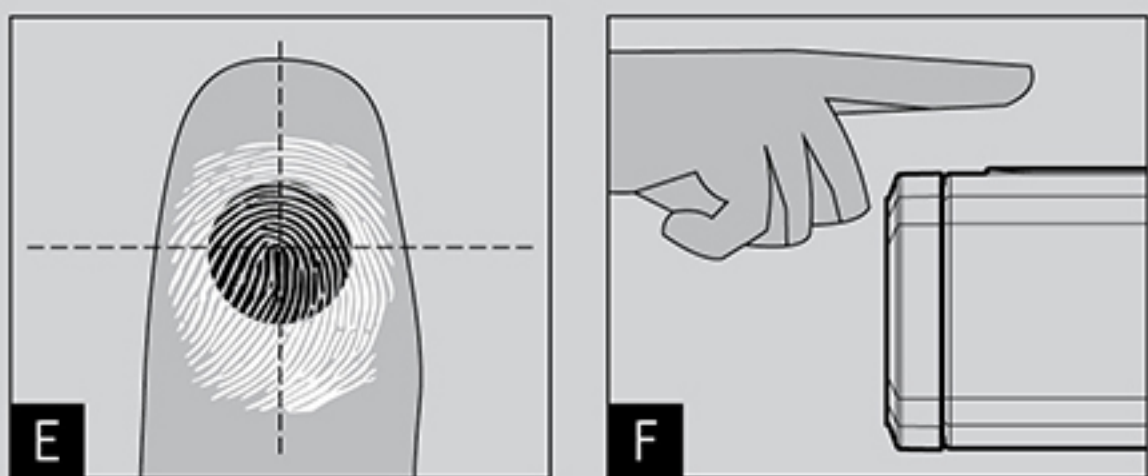
Biometric Scanner: Overview

Biometrics are methods of authenticating the identity of a person based on physical or behavioral characteristics. Biometric fingerprint authentication refers to technology that measures and analyzes human physical characteristics for identification and authentication purposes.

Everyone has their own unique fingerprints, and what makes them unique is the pattern of ridges, valleys, and minutiae points that comprise an individual print. Vaultek® and their leading engineering group has developed proprietary technology to read and match fingerprints with unmatched speed and accuracy. That means that only authorized users have access to your valuables. The safe is capable of storing fingerprint data for up to 20 unique authorized users. A user consists of 3 scans of the same finger during registration. Once a user's fingerprint data is stored in the safe and encrypted, it cannot be copied or stolen.

Helpful Programming Tips!

- **Place the core of the fingerprint flat** (Figure E + F + G) over the center of the scanner (this allows the scanner to read where most of the fingerprint detail is located) see (Figure E).
- Rotate your finger slightly between registration scans to store print variations for increased accuracy (Figure G).
- Excessive moisture, lotions, or dirt will affect your fingerprint and may cause inaccurate sensor reading.
- **Troubleshooting!** If you are having difficulty with your print, program the same fingerprint 4 or 5 times. You have 20 slots available for programming and you can also try your thumb as it has more surface area to read.



Biometric Scanner: Programming Admin Prints 1 and 2

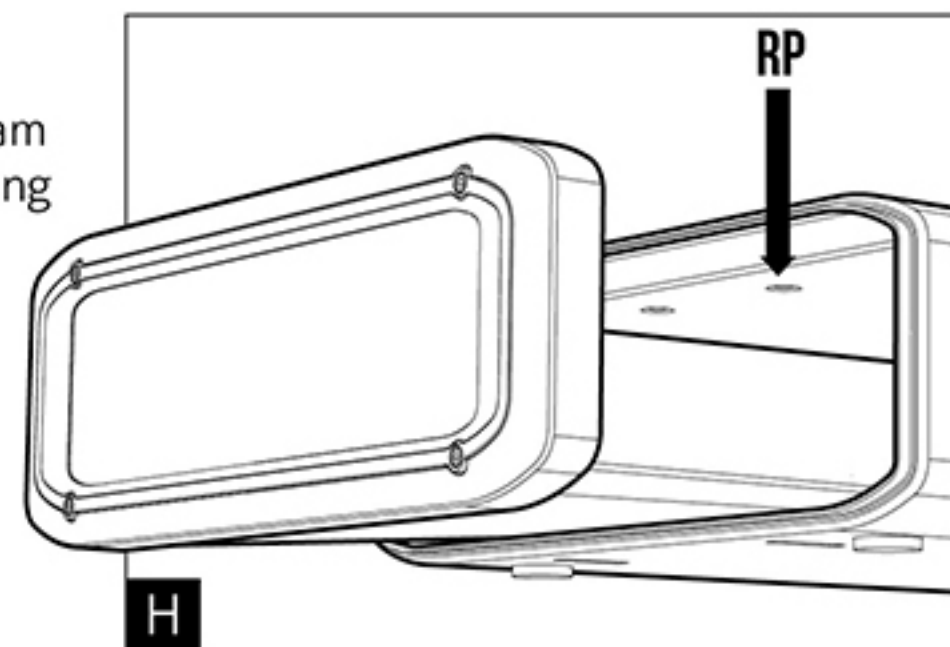
The 1st and 2nd fingerprints will be recognized as administrative fingerprints and will be used to authorize additional users. To program additional users refer to the next page.

Tip! The first two enrolled fingerprints are admin prints, and are required to authorize enrolling additional users (3-20).

Tip! Each fingerprint requires 3 registration scans to be enrolled into the safe.

STEP 1 : Programming Admin Print 1 of 2

- 1 Open the safe. Program 1st fingerprint by tapping the "Right Program Button" (Figure H). The LED ring around the scanner will start flashing RED and the '1' key will start blinking RED.
- 2 Place your finger on the fingerprint scanner for the 1st of 3 scans. When the safe beeps and the '1' key lights up GREEN remove your finger.
- 3 Rotate your finger position and place your finger on the scanner again. You will repeat this process until all keys are solid GREEN.
- 4 Close the safe drawer and test to see if the safe will open using your fingerprint.



Troubleshooting! If LED around the scanner is YELLOW then refer to programming fingerprints 3-20 on next page.

STEP 2 : Programming Admin Print 2 of 2

Repeat steps 1 through 4 to add the 2nd administrative fingerprint.

Tip! To program prints (3-20) refer to page 13.

Troubleshooting! If you experience issues refer to the helpful programming tips listed on page 11 or view our tutorials online at vaulteksafe.com/support.

Biometric Scanner: Enrolling Prints 3-20

The first two fingerprints programmed into the safe are the administrative fingerprints. Any additional users programmed require authorization from one of these fingerprints.

- 1 Open the safe. Program additional fingerprints by tapping the "Right Program Button" (Figure H on page 12). The LED around the scanner will be solid YELLOW prompting you to scan one of the administrative fingerprints.
- 2 Place either of the first two programmed administrative fingerprints on the scanner and remove when the safe beeps and the scanner blinks GREEN. When the '1' key starts blinking RED you can enroll a NEW fingerprint.
- 3 Using the helpful programming tips provided on page 11 place the NEW finger on the scanner. When the safe beeps and the '1' key lights up GREEN, remove your finger.
- 4 Place finger again over the scanner until the safe beeps and the '2' key lights up GREEN and lift. You will repeat this process until all keys are solid GREEN.

Tip! Repeat steps 1-4 to continue adding additional prints.

Troubleshooting! If you are having difficulty with your print, program the same fingerprint 4 or 5 times. You have 20 slots available for programming and you can also try your thumb as it has more surface area to read.

For setup, tutorials, and FAQs visit www.vaulteksafe.com/support/ and select your model.

Biometric Scanner: Delete Fingerprints

Individual fingerprints can not be deleted from the keypad on the safe. Following this procedure will erase all of the fingerprints including both administrative fingerprints. This procedure will not affect the keypad master code.

If you wish to delete individual fingerprints, you must use the Vaultek® Bluetooth® 2.0 app.

Press and hold the "Right Program Button" and '1' key until all the keys (1-4) light up RED and enter your master code. If the code is correct, all the numbers on the keypad will blink GREEN and beep indicating deletion of all the fingerprints.

Biometric Scanner: Low Success Rate

If you are having difficulty with your print, program the same fingerprint 4 or 5 times. You have 20 slots available for programming and you can also try your thumb as it has more surface area to read.

- 1 Let's delete the fingerprints and start over. Press and hold the "Right Program Button" and '1' key until all the keys (1-4) light up RED and enter your master code. If the code is correct, all the numbers on the keypad will blink GREEN and beep indicating deletion of all the fingerprints.
- 2 Now let's try reprogramming your fingerprint using the helpful tips on page 11.
- 3 Open the safe. Program 1st fingerprint by tapping the "Right Program Button" (Figure H on page 12) and the '1' key will start flashing RED.
- 4 When the '1' key start blinking place your finger on the fingerprint scanner for the 1st of three scans. When the safe beeps and the '1' keys lights up GREEN remove your finger.
- 5 Rotate your finger position and place your finger on the scanner again. You will repeat this process until all keys are solid GREEN.
- 6 Close the safe drawer and test to see if the safe will opens using your fingerprint.

Tip! Program the same fingerprint 4 or 5 times. You have 20 slots available for programming.

Vaultek® Bluetooth® 2.0 App: Overview

The Vaultek® Bluetooth® 2.0 app lets you get the most out of your safe. Using the app gives you access and control over features that are not possible using the keypad interface alone.

App Features: Unlock Safe Within Range (Optional) | Check Battery Levels | Toggle Sound On/Off | Adjust Interior Light | Manage Nano Key Settings (Nano Key 2.0 Sold Separately) | Manage Fingerprint IDs (Biometric Model Only) | View History Log

Vaultek® Bluetooth® 2.0 App: Helpful Tips!

- **Toggle Remote Unlock by Phone:** By default, the unlock feature on your app will be disabled. If you wish to enable this feature, press and hold the "Left Program Button" and the '1' and '4' keys together for 3 seconds. The keypad will flash GREEN indicating enabled. Repeat the sequence to disable the unlock feature.
- **Toggle App Connection ON/OFF:** ON by default. The connection toggle when OFF stops all app communication, such as the phone unlock command and eliminates any outside sources from connecting to the safe over Bluetooth including already paired devices. To toggle app connections ON/OFF tap the "Left Program Button". The keypad will start flashing RED indicating you can adjust the settings from the touch screen. On the safes screen, tap the Bluetooth icon to enabled or disable. Once adjusted, tap the "Left Program Button" to exit the screen settings. The Bluetooth icon on the screen will indicated OFF or ON. When OFF, a paired phone will not be able to operate the app until the connection has been turned ON.
Tips! The connection must be ON in order to pair a phone with the safe. Once a phone is paired, it will not need to be paired again when toggling the connection ON/Off.
- **Unpair Phone App:** Used in the event you wish to unpair any connected smartphone from the safe. To unpair press and hold the "Left Program Button" and the '3' key together for 3 seconds. If the keypad flashes GREEN this indicates all smartphones have been removed from the safe.
- **History Log Timestamp** Any actions recorded in the history log before your phone is paired with the safe will show a timestamp from the safe's default clock - this may not match your phone's time or date. To sync your phone's time with the safe's history log, simply remove the battery and reinstall, and immediately pair the safe with your phone before performing any other actions.

Vaultek® Bluetooth® 2.0 App: Pairing

- 1 Download the App:** Scan the QR code with your phone camera to download the Vaultek® Bluetooth® 2.0 app from Google Play and Apple Store.
- 2** Make sure your phone's Bluetooth® settings are set to ON, and **open the Vaultek® Bluetooth® app to begin.**

Important! You must be within Bluetooth® range to pair your phone with your safe. The approximate range is 25 feet.

- 3 Create a Pattern Lock:** This is an added layer of protection to safeguard your safe and prevent unauthorized access in the event your phone is misplaced. To create your pattern lock, simply drag your finger along the screen to connect at least four dots. This unique pattern will be required each time you open the app, and can be disabled if preferred.
- 4 Select Your Safe:** After a few seconds your safe will appear in the search. You can drag the screen downwards to refresh if you are not seeing your safe listed. Select your safe, and follow the on screen prompts to pair.

Tip! This pairing sequence offers enhanced security protection and will allow up to two different phones to pair with your safe.

Tip! The Remote Unlock feature in the app is disabled by default. If you wish to enable this feature, press and hold the "Left Program Button" and keys '1' and '4' together for 3 seconds. The keypad will flash GREEN indicating enabled. Repeat the sequence to disable the unlock feature.

Privacy Notice: Vaultek Safe, Inc. does not access your personal information. The app may require some permissions to store personal preferences such as your safe settings and Bluetooth settings to communicate with your safe. In no way do we gain or collect any personal information from you.



For setup, tutorials, and FAQs visit www.vaulteksafe.com/support/ and select your model.

Nano Key 2.0 (Sold Separately)

Your Vaultek® safe supports quick access with Nano Key Bluetooth 2.0. Nano Key 2.0 and Nano Key 2.0 Biometric are not included but can be purchased separately at vaulteksafe.com or from an authorized dealer. Nano Key 2.0, part of Vaultek's Nano Key lineup, provides instant access to your safe in the event you need immediate entry.

Take caution when using this feature and be responsible. Security can be compromised in the event Nano Key 2.0 is lost or stolen. Only pair Nano Key 2.0 after thoroughly understanding the inherent risks.

- To avoid unintentional safe opening, Nano Key 2.0 should only be used when safe is in sight.
- **WARNING** anyone including children can access the safe via Nano Key 2.0.
- **ALWAYS** unpair Nano Key 2.0 in the event it is lost or stolen.

Nano Key 2.0: Pairing

IMPORTANT! You must be within 6' from the safe to pair Nano Key Bluetooth 2.0.

- 1 With the safe open press and hold the "Left Program Button" and the '2' key together (3 seconds) until all keys start blinking RED.
- 2 Immediately aim Nano Key 2.0 towards the safe.
- 3 **Nano Key 2.0:** Press and hold the Nano Key 2.0 button until the safe keypad flashes GREEN to indicate pairing is successful.
- 3 **Nano Key 2.0 Biometric:** Scan an authorized print. The keypad will flash GREEN to indicate pairing is successful.

Nano Key 2.0: Unpairing

In the event a Nano Key Bluetooth 2.0 is lost or stolen, you can unpair the lost Nano Key 2.0 from the safe's memory. This will remove all paired Nano Key 2.0s from the safe.

- 1 Press and hold the "Left Program Button" and the '4' key together (3 seconds) until all keys turn GREEN. This indicates that all paired Nano Key 2.0s have been deleted from memory.

Nano Key 2.0: Enable/Disable

Enabling/disabling Nano Key from the touch screen, or Bluetooth 2.0 app will NOT unpair a Nano Key 2.0 from the safe's memory.

Nano Key 2.0 can be temporarily disabled as needed. When disabled, Nano Key 2.0 can not be used to open a paired safe. When enabled, Nano Key 2.0 will resume normal operation and open a paired safe.

- 1 Tap the "Left Program Button". The keypad will start flashing RED indicating you can enable/disable Nano Key from the touch screen. Once adjusted, tap the "Left Program Button" to exit the screen settings.

Customer Support

If you have a problem with your Vaultek® safe, we encourage you to visit www.vaulteksafe.com/support/ and select your model for troubleshooting, FAQs, and helpful videos.

Warranty (Terms and Conditions)

VAULTEK® IS COMMITTED TO PROVIDING PRODUCTS OF HIGH QUALITY AND VALUE AND MAKES EVERY EFFORT TO ENSURE ITS PRODUCTS ARE FREE OF DEFECTS.

Vaultek® guarantees your safe will be free of defects in materials or workmanship for a period of two years from the date of original purchase from an authorized dealer and three years with verified product registration.

The warranty is only valid for the original purchaser and not transferable. This warranty is only valid for products purchased and operated in the U.S. This warranty does not cover abuse, misuse, use in any manner for which is not designed, neglected, modification, damage inadvertently caused by the user, accidents and/or tampering.

If service is needed Vaultek will, at its option, exchange or repair without charge for parts or labor. Upon authorization of warranty service, customers are responsible for securely packaging product. Additionally, customers are responsible for costs of shipping to and from Vaultek service center.

If the claimed defect cannot be identified or reproduced, customers will be held responsible for the costs incurred. Please have the following information available before you begin a claim with Vaultek:

- Purchaser's name, mailing address, email address, and a phone number.
- Copy of receipt or online order number (if purchased directly from us or Amazon)
- Authorized Dealer Name (if applicable)
- Detailed description of the problem

NEITHER SELLER NOR MANUFACTURER SHALL BE LIABLE FOR ANY INJURY, LOSS OR DAMAGE, DIRECT OR CONSEQUENTIAL, ARISING OUT OF THE USE OF, OR THE INABILITY TO USE THE VAULTEK® SAFE.

STOP! Do not return to retailer. If you have any questions about your Vaultek® safe or need help configuring the system, please email us at support@vaulteksafe.com.

FCC

The device has been evaluated to meet general RF exposure requirement. When using the product, maintain a distance of 20cm from the body to ensure compliance with RF exposure requirements.

FCC statements:

This device complies with part 15 of the FCC rules. Operation is subject to the following two conditions: (1) this device may not cause harmful interference, and (2) this device must accept any interference received, including interference that may cause undesired operation.

NOTE: The manufacturer is not responsible for any radio or TV interference caused by unauthorized modifications or changes to this equipment. Such modifications or changes could void the user's authority to operate the equipment.

NOTE: This equipment has been tested and found to comply with the limits for a Class B digital device, pursuant to part 15 of the FCC Rules. These limits are designed to provide reasonable protection against harmful interference in a residential installation. This equipment generates uses and can radiate radio frequency energy and, if not installed and used in accordance with the instructions, may cause harmful interference to radio communications. However, there is no guarantee that interference will not occur in a particular installation. If this equipment does cause harmful interference to radio or television reception, which can be determined by turning the equipment off and on, the user is encouraged to try to correct the interference by one or more of the following measures:

- Reorient or relocate the receiving antenna.
- Increase the separation between the equipment and receiver.
- Connect the equipment into an outlet on a circuit different from that to which the receiver is connected.
- Consult the dealer or an experienced radio/TV technician for help.

STOP! Do not return to retailer. If you have any questions about your Vaultek® safe or need help configuring the system, please email us at support@vaulteksafe.com.



VAULTEK®

37 North Orange Ave. Suite 770 Orlando, FL 32801

VAULTEKSAFE.COM