



INSTRUCTION MANUAL

**GET STARTED**

**VAULTEKSAFE.COM/  
VTSERIES-SUPPORT**

**ONLINE TUTORIALS**  
Quick setup help.

## Quick Start Guide

### STEP ONE: Battery Installation

- 1 To get started, insert one of your backup keys into the keyhole at the front of the safe (see Figure A). Push key in and rotate the key 90 degrees clockwise to open the safe.
- 2 Remove the interior padding. Locate the battery compartment door on the inside of the safe directly behind the '4' key on the keypad (see Figure B).
- 3 Remove the battery cover by pressing down on the tab near the top of the cover.
- 4 Insert the battery (included in accessory box) into the battery compartment making sure the pull string is above the battery. Note that your Vaultek® safe automatically detects the polarity of the battery and can be installed in either direction.
- 5 When the battery is inserted you will hear a short welcome tone and the keypad will light up.
- 6 Once you hear the tone and see the keypad light up, replace the battery cover.

**IMPORTANT: First time users should change the default code immediately after installing the battery to prevent unauthorized access to your safe.**

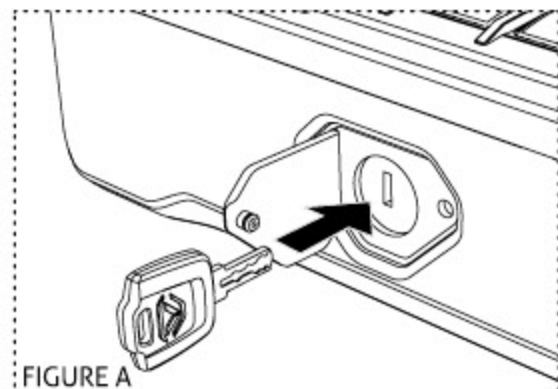


FIGURE A

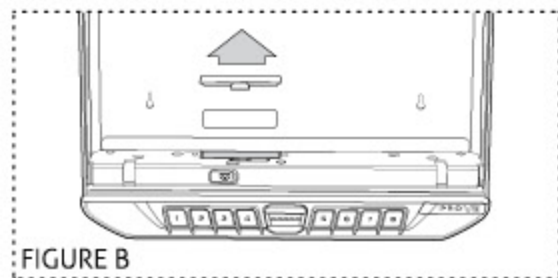


FIGURE B

## STEP TWO: Master Code Programming



First time users should change the default code as soon as possible to prevent unauthorized access to your safe, so it should be kept confidential.

### TIP: Code Requirements

- Your code can be a minimum of 4 and a maximum of 8 digits. We recommend a code 6 to 8 digits in length using at least one of each key to make it more difficult for someone to guess your code. For your security, the safe will time out and sleep for 4 minutes if 6 incorrect entries are made.
- Two keys cannot be pressed simultaneously.
- Programming a new code will overwrite your previous code.

- Open the safe. (Default master code is 1-2-3-4 on the keypad)
- With the safe open, lift the protective "PROGRAM" cover (Figure C.1). Press and hold the '1' key then the "PROGRAM" button together (3 seconds)(see Figure C.1) until all status bar LEDs turn RED and let go.
- Enter your NEW master code.
- IMMEDIATELY** Press and hold the '1' key then the "PROGRAM" button together a second time (3 seconds) until all status bar LEDs turn RED and let go.
- Enter your NEW master code a second time.
- IMMEDIATELY** Press and hold the '1' key then the "PROGRAM" button together a third time (3 seconds) until the safe beeps and all status bar LEDs turn GREEN and let go. This tone confirms that the code has been reset.

If you make a mistake and the new code will not work, simply start over with step 2.

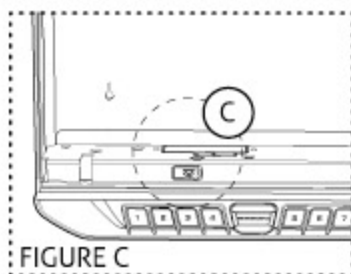
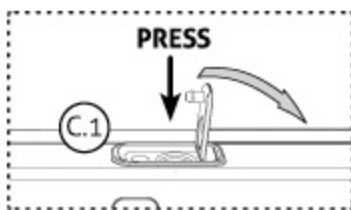


FIGURE C



## STEP THREE: Product Registration



Vaultek® strongly encourages you to register your safe as soon as you receive it.

**Registration provides many benefits including three year warranty, technical support, and ordering replacement keys should you misplace them.** Your Vaultek® safe has a unique product number on the inside of the battery door and a 4-digit ID number engraved on the keys. You will need these numbers to register your safe.

- Locate your product number. It is printed on the first page of this user manual and on the back of the battery door (Figure D/E).
- Find your 4-digit ID number engraved on the keys (Figure F).
- Please visit the Vaultek® website at [vaulteksafe.com](http://vaulteksafe.com) and click Support/Product Registration.
- Enter the required information in the form and click submit.

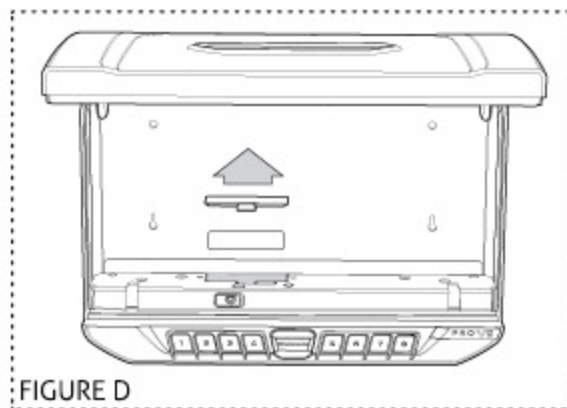


FIGURE D

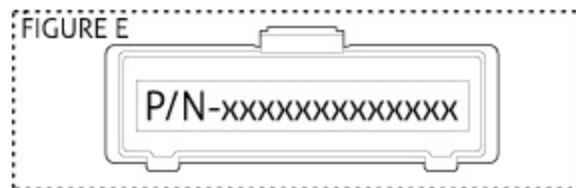


FIGURE E



FIGURE F

## Table of Contents

<b>Product Overview</b> .....	<b>01 / 02</b>
<b>Introduction / Warnings</b> .....	<b>03 / 04</b>
<b>Battery Operation / Battery Maintenance</b> .....	<b>05 / 07</b>
Battery Installation .....	05
Charging the Battery .....	06
<b>Master Code Programming</b> .....	<b>08</b>
<b>Hot Keys</b> .....	<b>09</b>
Tamper Detection .....	09
Toggle Stealth Mode .....	09
Toggle Travel Mode .....	09
View Battery Status .....	09
Toggle Interior Light .....	09
Toggle Alert of Manual Unlock .....	09
<b>Securing Your Safe</b> .....	<b>10</b>
<b>Product Registration</b> .....	<b>11</b>
<b>FAQ</b> .....	<b>12</b>
<b>Troubleshooting</b> .....	<b>13 / 14</b>
<b>Customer Support / Warranty</b> .....	<b>15</b>

**TUTORIALS ONLINE AT [VAULTEKSAFE.COM/VTSERIES-SUPPORT](http://VAULTEKSAFE.COM/VTSERIES-SUPPORT)**

## Box Contents

Vaultek® VE Safe  
18650 Rechargeable Lithium-ion Battery  
AC Power Adapter and Micro-USB Charging Cable  
High Strength Steel Security Cable  
Hardware Mounting Kit  
Owner's Manual / Quick Start Guide  
Backup Keys (2)

## Tutorial Videos

Listed below are some of the various tutorials available at [vaulteksafe.com](http://vaulteksafe.com).

**Installing Your Battery**  
**How to Register Your Safe**  
**Change Your Master Code**

**How to Anchor Your Safe**  
**+ More videos online.**

Visit the Support tab at [vaulteksafe.com](http://vaulteksafe.com) for FAQ, Troubleshooting, and additional Tutorials.

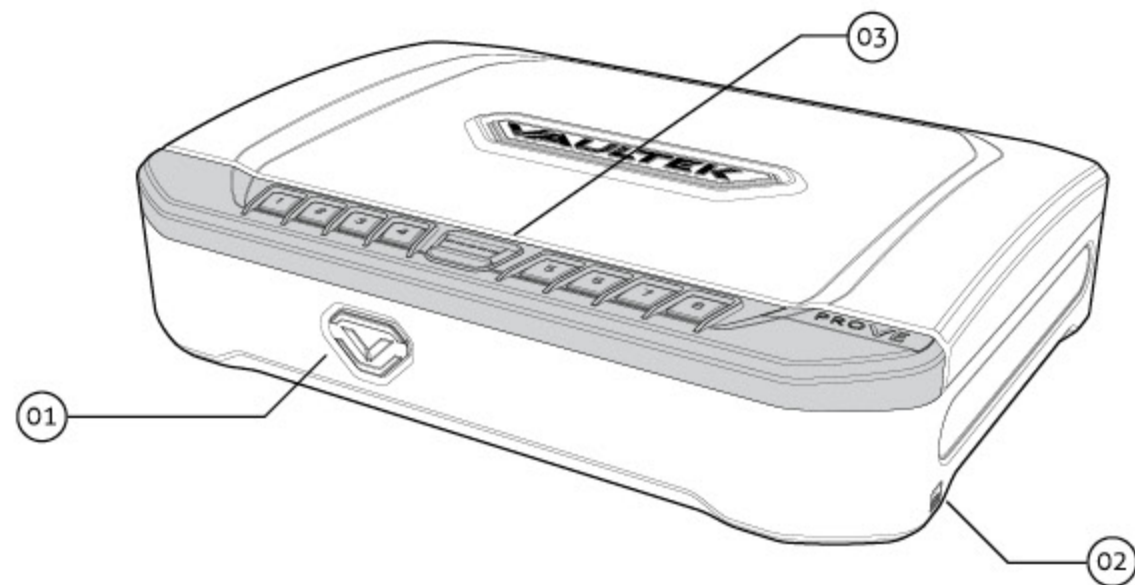
**GET STARTED**

**[VAULTEKSAFE.COM/  
VTSERIES-SUPPORT](http://VAULTEKSAFE.COM/VTSERIES-SUPPORT)**

**ONLINE TUTORIALS**  
Quick setup help.

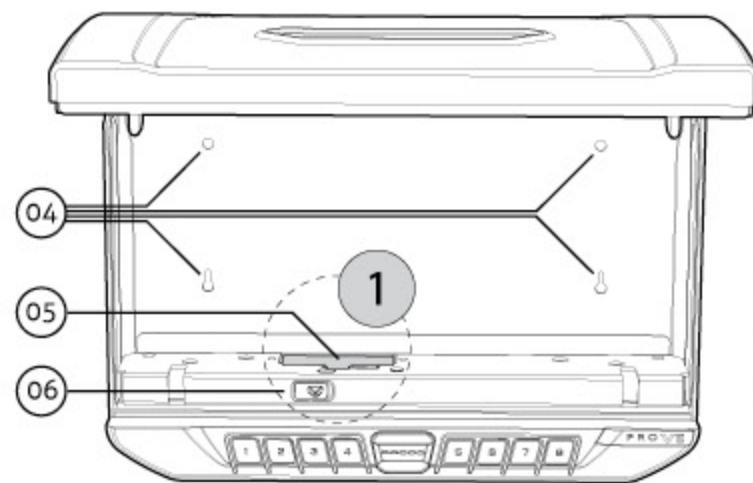
## Product Overview

Get to know your Vaultek® safe.

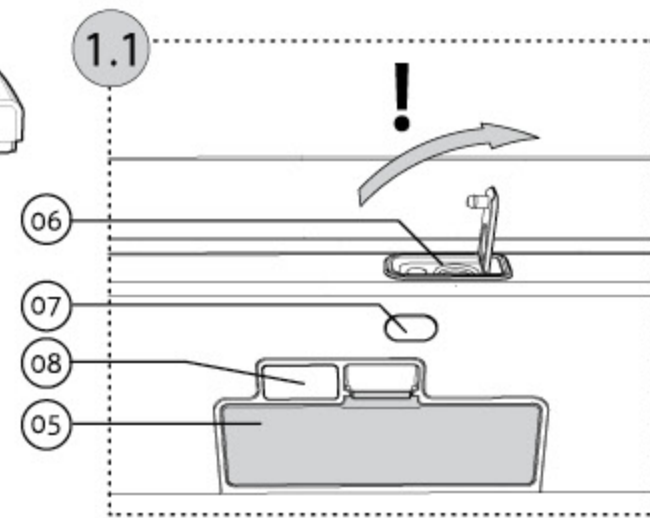


- 01. Silicone Key Hole Cover
- 02. Micro-USB Charging Port

03. LED Status Bar



- 04. Pre-Drilled Mounting Holes
- 05. Battery Compartment Door
- 06. PROGRAM Button (Located Beneath Protective Cover)



- 07. LED Light Button
- 08. LED Light

## Introduction

The Vaultek® VE is a PIN access / manual key access safe. Its solid structure and penetration resistant design makes it ideal for storing valuables such as firearms, jewelry, cash, and other personal items. Powered by a rechargeable lithium-ion battery, the safe combines high security with complete access control.

**Secure Access:** How to open your Vaultek® Safe.

**Keypad:** The numeric keypad responds quickly for rapid access and has a built-in proximity sensor that lights up when your hand brushes against the safe. See page 08 for more information.

**Key:** Two keys are provided for manual access to the safe in the event the battery dies.

**Secure Defense:** How your Vaultek® Safe keeps people out.

**Anti-Impact Latches:** Built to withstand forceful impacts and heavy slams.

**Unibody Construction:** Our unibody design is extremely strong without welds or weak points.

**No External Access Points:** A combination of interior mounted hinges and extended anti-pry reinforcement bars help prevent unwanted tools from attempting to break the safe open.

**Mounting Feature:** Secure your safe to a stationary object via the included high strength steel security cable or via the two pre-drilled mounting holes using the included mounting hardware.

**Security Sleep Mode:** Activates when six (6) consecutive incorrect keypad entries are entered and does not accept any entries for four minutes. If a button is pressed during this mode, all of the numbers will flash RED and the alarm beeps. A backup key may be used to open the safe.

## Warnings

To prevent damage to your Vaultek® unit or injury to yourself or to others, read the following safety precautions before using this unit.

**DO NOT** PLACE OR STORE THE BACKUP KEYS INSIDE THE SAFE AT ANY TIME. IF THE BATTERY FAILS, YOU WILL BE UNABLE TO OPEN THE SAFE.

**DO NOT** expose to extreme heat or cold. Battery power may be affected.

**DO NOT** store loaded guns in this unit. Firearms are serious in nature and must be handled with respect. Store responsibly.

**ALWAYS** check to make sure door has latched when closing; lid requires a firm press and locks automatically.

### DISCLAIMERS:

NEITHER SELLER NOR MANUFACTURER SHALL BE LIABLE FOR UNAUTHORIZED ACCESS, ANY INJURY, LOSS OR DAMAGE TO PERSONAL PROPERTY DIRECT OR CONSEQUENTIAL, ARISING OUT OF THE USE OF, OR THE INABILITY TO USE THE VAULTEK® SAFE.

THE USER SHALL DETERMINE THE SUITABILITY OF THE VAULTEK® SAFE BEFORE THE INTENDED USE AND USER ASSUMES ALL RISK AND LIABILITY WHATSOEVER IN CONNECTION THEREWITH. VAULTEK® SAFES ARE NOT INTENDED TO PROTECT AGAINST ENVIRONMENTAL HAZARDS INCLUDING FIRE AND WATER.

Be sure and follow all local and state firearm laws.

**DO NOT** operate a firearm without proper training and experience.

**TUTORIALS ONLINE AT [VAULTEKSAFE.COM/VTSERIES-SUPPORT](https://www.vaulteksafe.com/vtseries-support)**

## Battery Operation

Your safe uses a 3.7V 18650 rechargeable lithium-ion with a flat top. A minimum 2000 mAh capacity is required, however 2200 mAh or higher can be used to increase operation time. A high capacity battery upgrade is available as an accessory through our website.

### Battery Installation

- 1 To get started, insert one of your backup keys into the keyhole at the front of the safe (see Figure A). Push key in and rotate the key 90 degrees clockwise to open the safe.
- 2 Remove the interior padding. Locate the battery compartment door on the inside of the safe directly behind the '4' key on the keypad (see Figure B).
- 3 Remove the battery cover by pressing down on the tab near the top of the cover.
- 4 Insert the battery (included in accessory box) into the battery compartment making sure the pull string is above the battery. Note that your Vaultek® safe automatically detects the polarity of the battery and can be installed in either direction.
- 5 When the battery is inserted you will hear a short welcome tone and the keypad will light up.
- 6 Once you hear the tone and see the keypad light up, replace the battery cover. You are now ready to program your safe.

**IMPORTANT: First time users should change the default code immediately after installing the battery to prevent unauthorized access to your safe.**

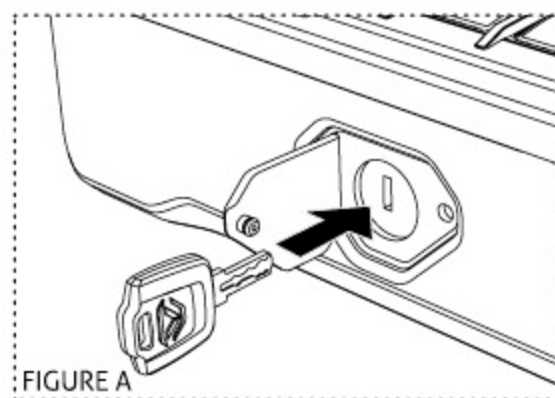


FIGURE A

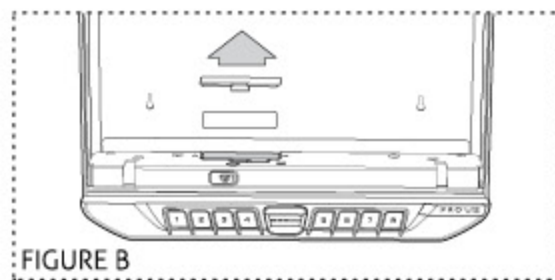


FIGURE B

Continue on next page for more information about the battery.

### Charging the Battery

Your Vaultek® safe is powered by a rechargeable lithium-ion battery and comes with a charging kit which includes an AC power adapter and a micro-USB cable. Safe and micro-USB cable can be used with all international power adapters. Under normal usage, a fully charged battery can last about 3 months.

- 1 **To recharge the safe**, plug the micro-USB cable into the micro-USB receiving jack located on the right side of the safe (FIGURE C) and connect to a standard USB port or wall outlet using the AC power adapter. Approximate recharge time is 2.5 hours.
- 2 The LED on the side of the safe (FIGURE C) will glow RED indicating charging or GREEN indicating that charging is complete..

### Charging TIPS

- A After installing the battery, use the charging kit provided to charge the unit 100%.
- B The charging kit can also function as an external power supply, which means you can open your safe even when the battery is depleted.
- C Leaving your safe plugged in continually will **not** harm the safe or battery. However, to preserve battery life we suggest that you unplug occasionally to allow the battery to cycle down.
- D A specially designed VT powerpack is available as a separate accessory to extend operation time.
- E The adapter used to charge the battery should output 5V/2000mA or above when using micro-USB cable.

See the FAQ section for additional information about the battery.

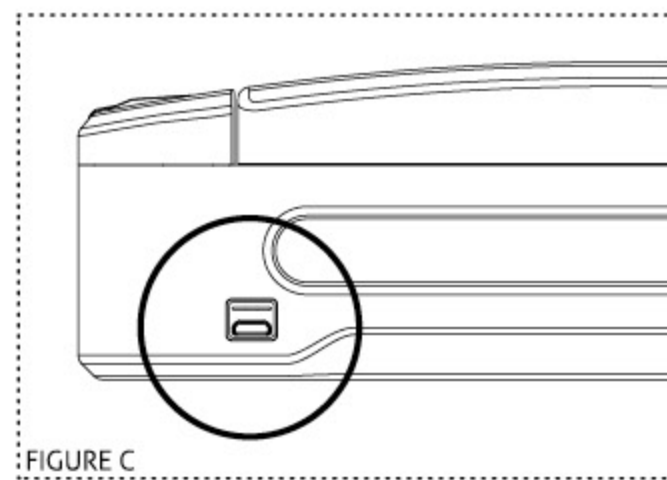


FIGURE C



## Battery Maintenance

### Testing the Battery Power

To check the battery level, press and hold the '6' and '8' key together on the keypad for 3 seconds. The status bar from left to right will glow GREEN or RED to indicate the battery level:

Remaining Battery Capacity Level  
If 5 LEDs glow green: 80%-100%  
If 4 LEDs glow green: 60%-80%  
If 3 LEDs glow green: 40%-60%  
If 2 LEDs glow green: 20%-40%  
If 1 LED glows red: 10%-20%  
If 1 LED blinks red: less than 10%

### Low Battery

If the first LED on the status bar blinks RED several times and you hear several rapid beeps when opening the safe, your battery level is critically low and your safe needs to be charged immediately.

### Soft Reset TIP

In the event the battery dies or a soft reset is performed (battery removal and installation) the safe will restore default settings for interior light, sound, and Alert of Manual Unlock feature. These settings will need to be readjusted, however the master code will not be affected.

### IMPORTANT

Use a 3.7V 18650 rechargeable lithium-ion battery with a flat top. A minimum 2000 mAh capacity is required, however 2200 mAh or higher can be used to increase operation time.

A high capacity battery upgrade is available as an accessory through our website.

The adapter used to charge the battery should output 5V/2000mA or above when using micro-USB cable.

**TUTORIALS ONLINE AT [VAULTEKSAFE.COM/VTSERIES-SUPPORT](http://VAULTEKSAFE.COM/VTSERIES-SUPPORT)**

## Master Code Programming

**First time users should change the default code as soon as possible** to prevent unauthorized access to your safe, so it should be kept confidential.

### TIP: Code Requirements

- Your code can be a minimum of 4 and a maximum of 8 digits. We recommend a code 6 to 8 digits in length using at least one of each key to make it more difficult for someone to guess your code. For your security, the safe will time out and sleep for 4 minutes if 6 incorrect entries are made.
- Two keys cannot be pressed simultaneously.
- Programming a new code will overwrite your previous code.

- Open the safe. With the safe open, lift the protective "PROGRAM" cover (Figure D.1). Press and hold the '1' key then the "PROGRAM" button together (3 seconds) (see Figure D.1) until all status bar LEDs turn RED and let go.
  - Enter your NEW master code.
  - IMMEDIATELY** Press and hold the '1' key then the "PROGRAM" button together a second time (3 seconds) until all status bar LEDs turn RED and let go.
  - Enter your NEW master code a second time.
  - IMMEDIATELY** Press and hold the '1' key then the "PROGRAM" button together a third time (3 seconds) until the safe beeps and all status bar LEDs turn GREEN and let go. This tone confirms that the code has been reset.
- If you make a mistake and the new code will not work, simply start over with step 1.

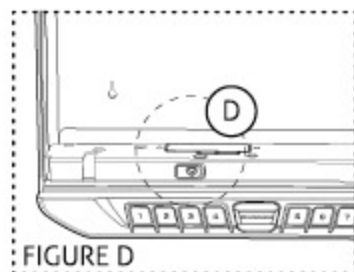
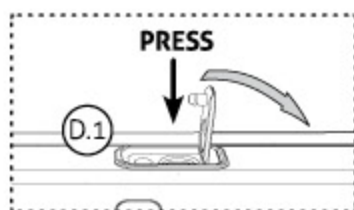


FIGURE D



## Hot Keys

### Tamper Detection

Press and hold '2' and '4'



To check for tampering press and hold keys '2' and '4' together for 3 seconds. The status bar will glow RED to indicate tampering or GREEN to indicate no tampering. You can reset the tamper detection by opening the safe through one of the authorized entry points.

### Toggle Stealth Mode

Press and hold '1' and '3'



To toggle the sound ON/OFF press and hold keys '1' and '3' together for 3 seconds. If the status bar glows GREEN and beeps, the sound is ON; if the status bar glows RED, the sound is OFF.

### Toggle Travel Mode

Press and hold '1' and '8'



Save battery life by disabling the proximity sensor, keypad, and status bar. To toggle travel mode ON/OFF press and hold keys '1' and '8' together until safe beeps and the status bar lights up. If the status bar glows RED and beeps, the safe is disabled; if the status bar glows GREEN and beeps, the safe is operational.

### View Battery Status

Press and hold '6' and '8'

To check the battery level press and hold keys '6' and '8' together for 3 seconds. The status bars will glow GREEN or RED to indicate the battery level. See pages 05 to 07 for more information.

If 5 LEDs glow green: 80%-100%

If 4 LEDs glow green: 60%-80%

If 3 LEDs glow green: 40%-60%

If 2 LEDs glow green: 20%-40%

If 1 LED glows red: 10%-20%

If 1 LED blinks red: less than 10%

### Toggle Interior Light

Press and hold '5' and '7'



To toggle the interior light ON/OFF press and hold keys '5' and '7' together for 3 seconds. With the light toggled to ON you can press the "LIGHT" button inside the safe to illuminate the light and can also adjust brightness in the app. If the light is toggled OFF the light will be disabled.

### Toggle Alert of Manual

Unlock Press and hold '3'

and '6' then "PROGRAM"



If the Alert of Unlock is on, and someone opens the safe with either the key or by picking the lock, the keypad will start flashing. To toggle Alert Unlock press and hold keys '3' and '6' then "PROGRAM" button together for 3 seconds. The keypad will flash GREEN indicating enabled or RED indicating disabled. If ON and activated it can only be cleared by entering master code. Default is OFF.

## Securing Your Safe

Your Vaultek® safe can be secured a few different ways. Included is a security cable to attach your safe to larger stationary objects. There are also mounting screws included to mount the safe to a flat surface using the pre-drilled holes on the bottom.

### Using the Security Cable

- 1 Loop the security cable around a secured object.
- 2 Run the end of the cable through the eye of the other end and pull tight around the object.
- 3 Place the end of the security cable inside the fully enclosed quick release cable mount inside your Vaultek® safe as shown in (Figure E).
- 4 Make sure the safe closes with the cable secured inside the quick release cable mount.

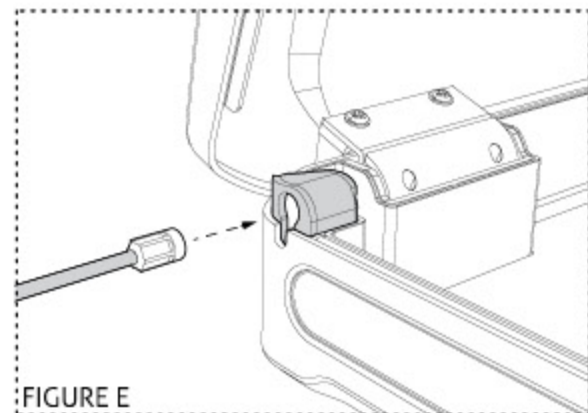


FIGURE E

### Using the Mounting Screws

TIP: Make sure you have enough clearance for the lid to open properly before mounting the safe.

- 1 Position the safe on a flat surface where you want to mount it.
- 2 Use a pencil to mark the holes for drilling.
- 3 Drill pilot holes.
- 4 Position safe in place and install screws through safe into pilot holes. Tighten screws.

### IMPORTANT

Mounting the safe vertically so that the door flips upward will result in incomplete opening of the safe due to weight. The door will open if the safe is mounted so that the door opens down or to the side.

## Product Registration

Vaultek® strongly encourages you to register your safe as soon as you receive it. **Registration provides many benefits including three year warranty, technical support, and ordering replacement keys should you misplace them.** Your Vaultek® safe has a unique product number on the inside of the battery door and a 4-digit ID number engraved on the keys. You will need these numbers to register your safe.

- 1 Locate your product number. It is printed on the first page of this user manual and on the back of the battery door (Figure F/G).
- 2 Find your 4-digit ID number engraved on the keys (Figure H).
- 3 Please visit the Vaultek® website at [vaulteksafe.com](http://vaulteksafe.com) and click Support/Product Registration.
- 4 Enter the required information in the form and click submit.

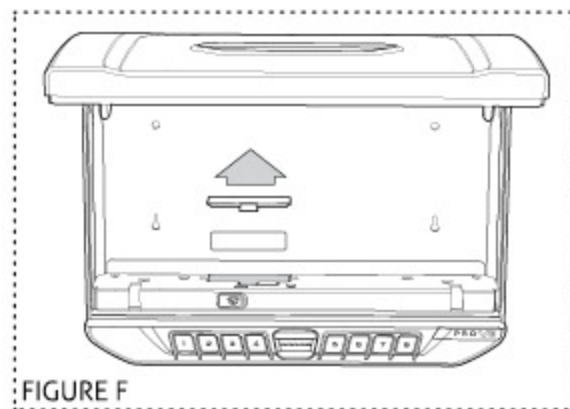


FIGURE F

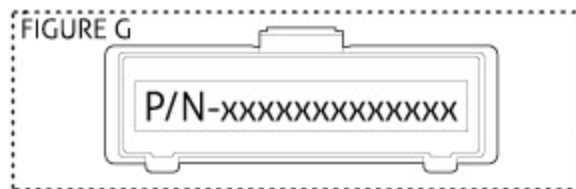


FIGURE G



FIGURE H

**TUTORIALS ONLINE AT [VAULTEKSAFE.COM/VTSERIES-SUPPORT](http://VAULTEKSAFE.COM/VTSERIES-SUPPORT)**

**FAQ** More online at [vaulteksafe.com](http://vaulteksafe.com) under Support

## Battery

**Q: Can I keep the safe plugged in at all times?**

A: Leaving the safe plugged continually will **not** harm the safe or battery. However, to preserve the battery life we suggest that you unplug occasionally to allow the battery to cycle down.

**Q: What type of battery does my Vaultek® safe use?**

A: Use a 3.7V 18650 rechargeable lithium-ion battery with a flat top. A minimum 2000 mAh capacity is required, however 2200 mAh or higher can be used to increase operation time. This type battery is commonly available and higher capacity batteries are available at [vaulteksafe.com](http://vaulteksafe.com).

**Q: Can I use a battery of more than 2000mAh?**

A: Yes, a minimum 2000mAh capacity is required, however 2200 mAh or higher can be used to increase operation time. An upgrade battery is available through Vaultek®.

## Keys

**Q: What happens if I lose the keys?**

A: First, make sure you registered your safe in the event you do lose your keys. Visit Support at [vaulteksafe.com](http://vaulteksafe.com) for assistance in replacing a set of keys. Be prepared to provide your order details and Product Number.

## Traveling

**Q: Can I travel with my Vaultek® safe through US Customs or TSA at the airport?**

A: Yes, there are no restrictions on carrying this type of item. Please be aware that you may be asked to open your safe. Rather than passing it through x-ray, and we recommend that an enrolled user be present during the transport of this item in case such a request is made by a government authority. If transporting a firearm, be sure the safe is checked or included with checked luggage and that you notify your airline agent at check in.

**STOP!** Do not return to retailer. If you have any questions about your Vaultek® safe or need help configuring the system, please contact us at [support@vaulteksafe.com](mailto:support@vaulteksafe.com).

**The keypad is not responding**

A. Remove the battery and reinstall. This is a soft reset for the safe. See if you are able to open the safe using the keypad or reprogram the safe's master code. If you are still experiencing issues please visit Support at vaulteksafe.com for assistance.

**Q: What happens if I lose the keys?**

A: First, make sure you registered your safe in the event you do lose your keys. Visit Support at vaulteksafe.com for assistance in replacing a set of keys. Be prepared to provide your order details and Product Number.

**Lid is not engaging.**

A: The lid requires a firm press. You will feel the latches engage if you press slowly. Feel/listen for the click.

**Lights not working.**

A: To toggle the interior light ON/OFF press and hold keys '5' and '7' together for 3 seconds. With the light toggled to ON you can press the "LIGHT" button inside the safe to illuminate the light. If the light does not perform do a soft reset. Remove the battery and reinstall. This is a soft reset for the safe. If you are still experiencing issues please visit Support at vaulteksafe.com.

**Unable to change master code.**

A: Refer to page 08 of the user manual or check our tutorials online at vaulteksafe.com under Support/Tutorials.

**Sound is not working.**

A: To toggle the sound ON/OFF press and hold keys '1' and '3' together for 3 seconds. If the status bar glows GREEN and beeps, the sound is ON; if the status bar glows RED, the sound is off. If the sound is toggled on and you still can't hear it, have someone in your house listen. The tones are high pitch.

**Soft Reset:** Remove the battery and reinstall. The master code will not be affected. Refer to page 07 for more details.

**STOP!** Do not return to retailer. If you have any questions about your Vaultek® safe or need help configuring the system, please contact us at support@vaulteksafe.com.

**Customer Support**

If you have a problem with your Vaultek® safe that is not answered in the FAQ section of this manual, we encourage you to visit [www.vaulteksafe.com/vtseries-support](http://www.vaulteksafe.com/vtseries-support).

**Limited Warranty** (Terms and Conditions)

VAULTEK® IS COMMITTED TO PROVIDING PRODUCTS OF HIGH QUALITY AND VALUE AND MAKES EVERY EFFORT TO ENSURE ITS PRODUCTS ARE FREE OF DEFECTS.

Vaultek® guarantees your safe will be free of defects in materials or workmanship for a period of two years from the date of original purchase from an authorized dealer and three years with verified product registration.

The warranty is only valid for the original purchaser and not transferable. This warranty is only valid for products purchased and operated in the U.S. This warranty does not cover abuse, misuse, use in any manner for which is not designed, neglected, modification, damage inadvertently caused by the user, accidents and/or tampering.

If service is needed Vaultek will, at its option, exchange or repair without charge for parts or labor. Upon authorization of warranty service, customers are responsible for securely packaging product. Additionally, customers are responsible for costs of shipping to and from Vaultek service center.

If the claimed defect cannot be identified or reproduced, customers will be held responsible for the costs incurred. Please have the following information available before you begin a claim with Vaultek:

- Purchaser's name, mailing address, email address, and a phone number.
- Copy of receipt or online order number (if purchased directly from us or Amazon)
- Authorized Dealer Name (if applicable)
- Detailed description of the problem

NEITHER SELLER NOR MANUFACTURER SHALL BE LIABLE FOR ANY INJURY, LOSS OR DAMAGE, DIRECT OR CONSEQUENTIAL, ARISING OUT OF THE USE OF, OR THE INABILITY TO USE THE VAULTEK® SAFE.

This device has been evaluated to meet general RF exposure requirement, and this device can be used in portable exposure condition without restriction.

**FCC statements:**

This device complies with part 15 of the FCC rules. Operation is subject to the following two conditions: (1) this device may not cause harmful interference, and (2) this device must accept any interference received, including interference that may cause undesired operation.

NOTE: The manufacturer is not responsible for any radio or TV interference caused by unauthorized modifications or changes to this equipment. Such modifications or changes could void the user's authority to operate the equipment.

NOTE: This equipment has been tested and found to comply with the limits for a Class B digital device, pursuant to part 15 of the FCC Rules. These limits are designed to provide reasonable protection against harmful interference in a residential installation. This equipment generates uses and can radiate radio frequency energy and, if not installed and used in accordance with the instructions, may cause harmful interference to radio communications. However, there is no guarantee that interference will not occur in a particular installation. If this equipment does cause harmful interference to radio or television reception, which can be determined by turning the equipment off and on, the user is encouraged to try to correct the interference by one or more of the following measures:

- Reorient or relocate the receiving antenna.
- Increase the separation between the equipment and receiver.
- Connect the equipment into an outlet on a circuit different from that to which the receiver is connected.
- Consult the dealer or an experienced radio/TV technician for help.



**VAULTEK®**

37 North Orange Ave. Suite 800B Orlando, FL 32801

[VAULTEKSAFE.COM](http://VAULTEKSAFE.COM)